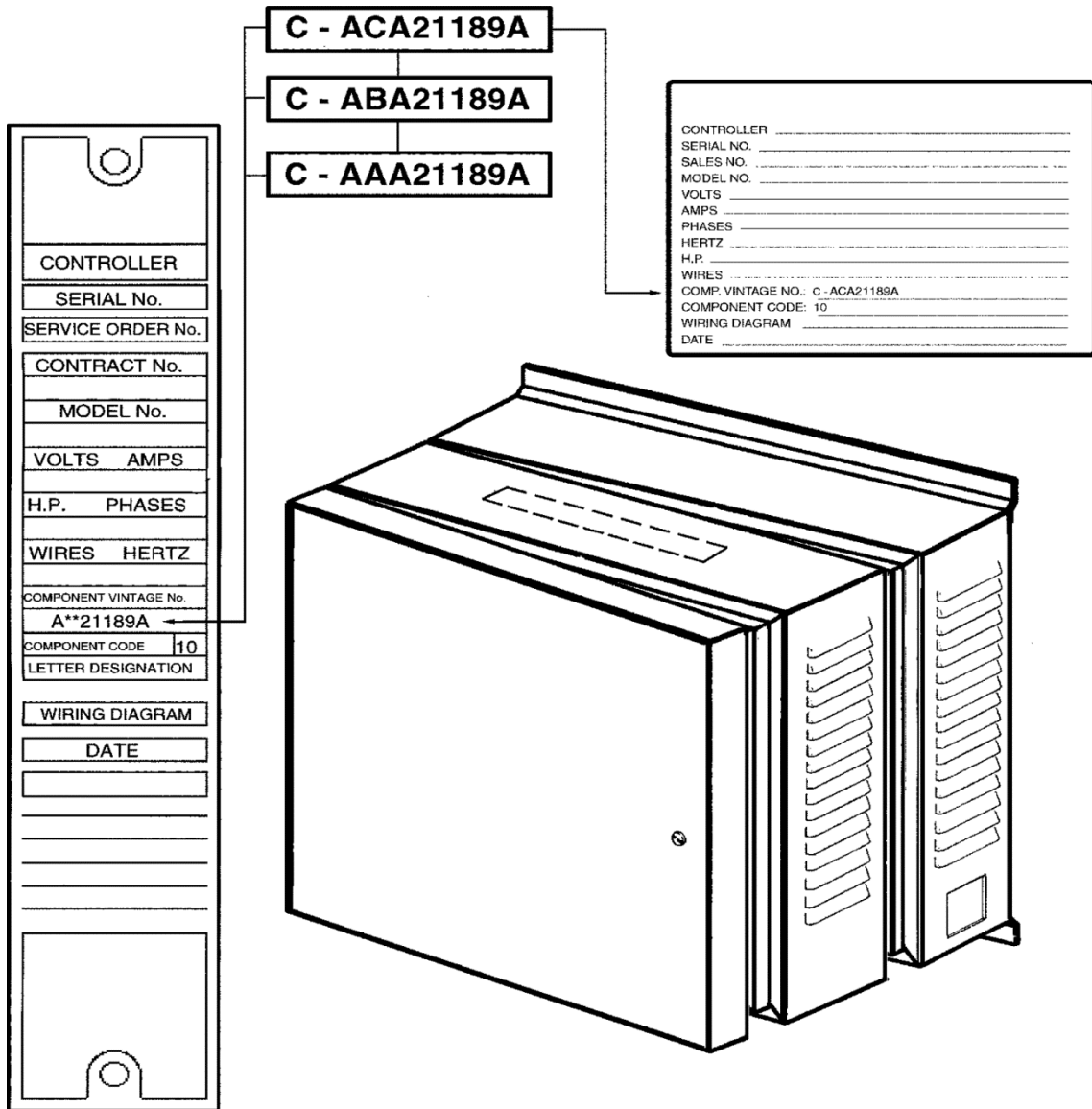


# Elevonic® Modular Overlay Controller (EMO)

Spare Parts Leaflet  
10-AAA21189A

February 17, 2016 / Page 1 of 7



# OTIS

SERVICE ENGINEERING  
Otis Elevator Company  
Bloomfield, Connecticut USA

Unpublished Work—© Otis Elevator Co.; 2016

## Leaflet Description

This leaflet describes the main panels comprising the Elevonic Modular Overlay (EMO). The panels are the operational control panel, the limited car panel, and the motion interface panel.

### Leaflet Revisions

Date Revised	Subject Matter Expert	Reason for Revision
June 1994	---	New SPL
August 1998	John Doane	Correct part description; Added history page
February 17, 2016	Sohaib Shaikh	Update document template; Added p/n AAA21305DJ1 and NOTE on p. 5

### Related Drawings

Drawing No.	Title	Drawing No.	Title
AAA21189A	Elevonic Modular Overlay Controller	ABA21189A	Elevonic Modular Overlay Controller

### Related Documents

Document ID	Title
TIP 1.1.9.1-1	<i>New EMO/TEMO LCB Software Baseline AAA30123AAB</i>

### Subject Matter Expert

Name	Department
Ali Bozorgzadeh and Anh Pham	OSC Service Engineering

### About Spare Parts Leaflets...

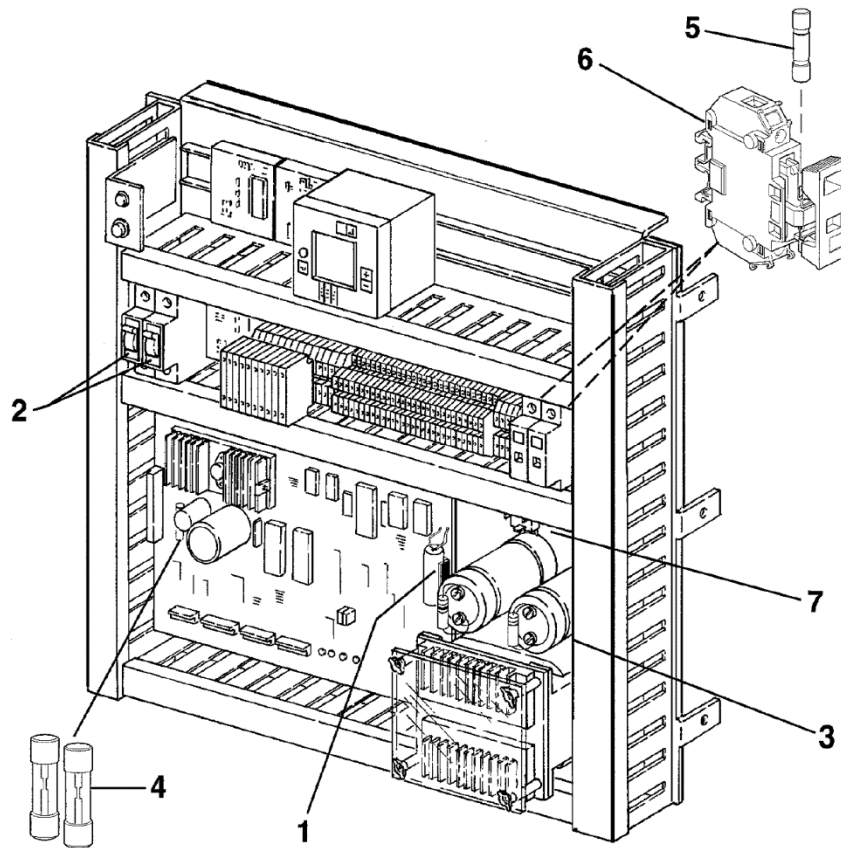
This document lists the lowest replaceable units (LRUs) for the standard version of the product. The LRUs are chosen by a team of Otis associates representing engineering and manufacturing.

While goal of this document is to make parts identification as easy as possible, the document cannot be all-inclusive. Elevator and escalator contracts classified as "special" or "custom" are not addressed here. For such contracts, please refer to specified information, the contract folder, TIPS, Field Education Articles, Construction Letters, etc. for further information.

If you have any suggestions about this document, please contact the subject matter expert listed on this page.

# Operational Control Panel

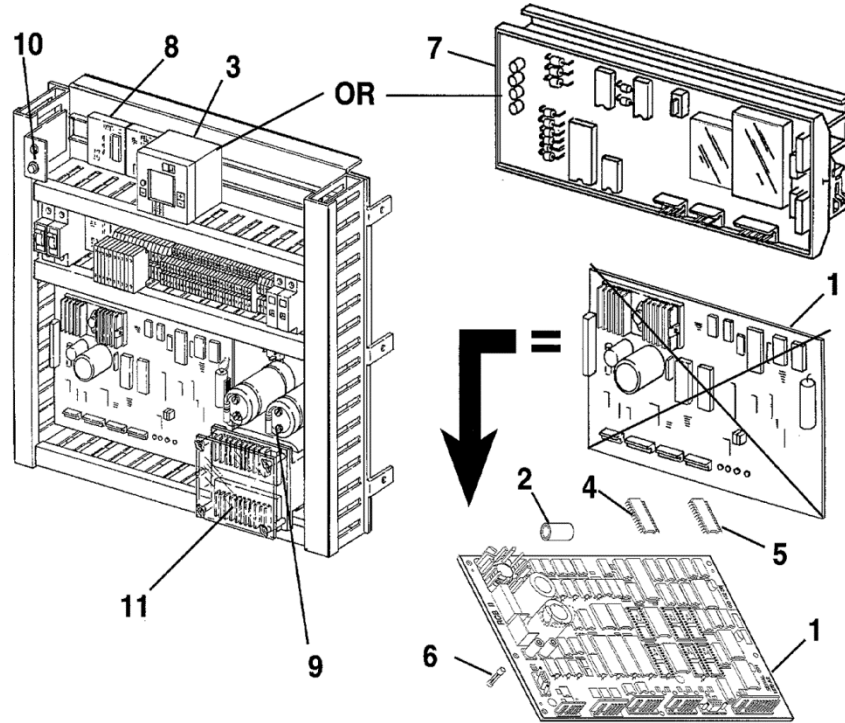
10-AAA21189A



Type AAA21250D illustrated

AAA21189A  
ABA21189A  
ACA21189A

REF. No.	PART No.	DESCRIPTION	SYMBOL
1	GO718A1	Battery, Lithium, 3.0V	BA1
2	AAA00375AAF007	Breaker, Circuit 1 Pole, 6.0A	CB01 CB02
3	226EJ2	Capacitor, 9000 mF, 50VDC	C01 C02
4	GO375AF18	Fuse, 1A	F2
	GO375AF25	Fuse, 4A	F1
5	AAA375BK18	Fuse, Rejection, 1.5A, 600V,  200-240V Supply	F01 F02
	AAA375BK13	Fuse, Rejection, 1.0A, 600V,  346-440V Supply	F01 F02
	AAA375BK11	Fuse, Rejection, 0.5A, 600V,  460-480V Supply	F01 F02
	AAA375BK10	Fuse, Rejection, 0.6A, 600V,  550-600V Supply	F01 F02
6	AAA180DT1	Holder, Fuse 600V	
7	230BS3	Rectifier, Bridge	RF01 RF02

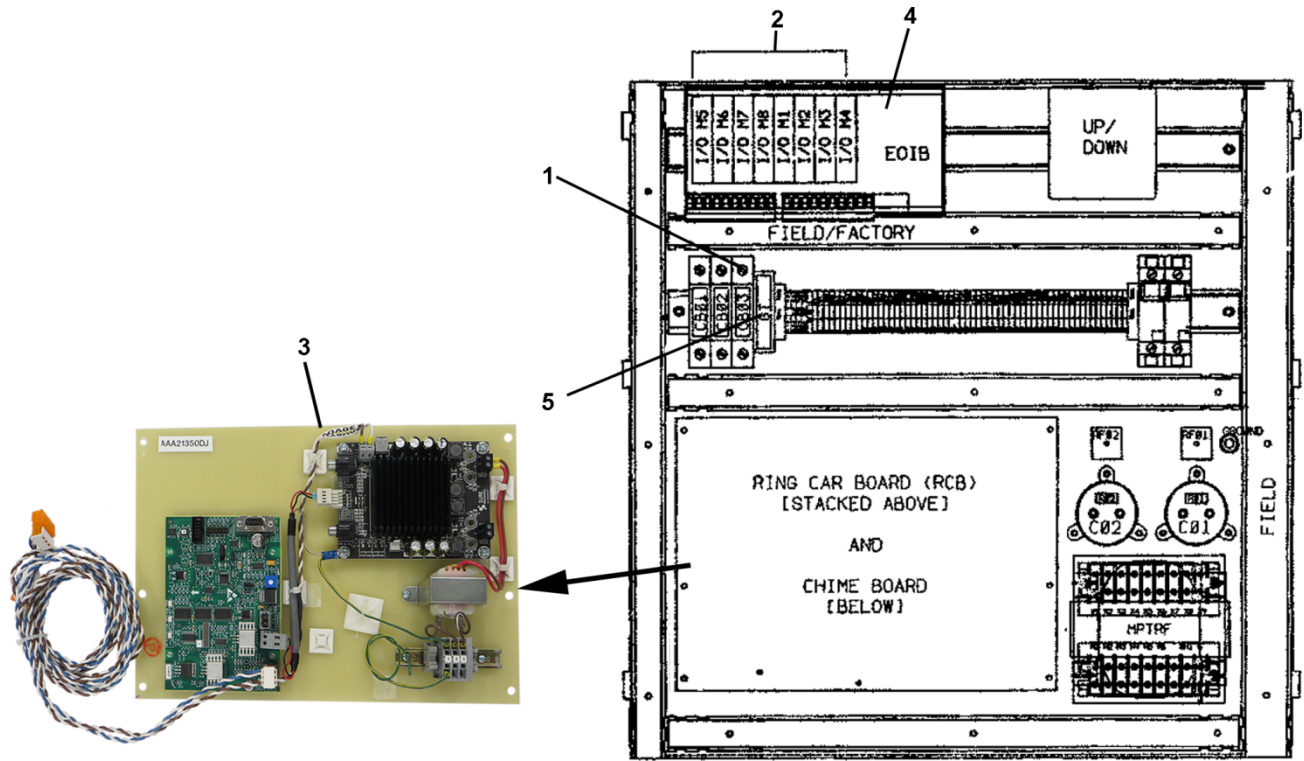


AAA21189A  
 ABA21189A  
 ACA21189A

REF. No.	PART No.	DESCRIPTION	SYMBOL
1	AAA26800KC1	Assembly, Ring Car Board, w/Extended RAM Board	RCB1A
	A9693D4	Assembly, Ring Car Board, w/o Extended RAM Board	
	GEA21270A3	Ring Car Board II, w/o EPROMS	RCB II
2	GAA718C1	Battery, 3.0V	BA1
3	623T1	Clock, Up/Down Peak	UP/DOWN
4	AAA616KM2	EEPROM, 64K, Electrically Erasable	Z34, Z49
5	AAA616LX2	EPROM, 1 MG (128 X 8), UV Erasable	Z37, Z53
	MOD300051AD	EPROM, w/Baseline Software	Z37, Z53
6	GO375AF22	Fuse, 2A	F1, F2
7	9693F4	Module, Switchover	SOM
	9693F2		
	GAA26800AL1		
8	9693C4	PCB, Remote Station	RS4
	GCA23550D1	PCB, Remote Station	RS5
9	AAA232FP89	Resistor, 47KW	R01 R02
10	AAA00177AAA001	Switch, Reset, & Lamp, Seismic (Earthquake Option)	SRS
11	AAA225FP1	Transformer, 200-240V	MPTRF
	AAA225FP2	Transformer, 346-440V	MPTRF
	AAA225FP3	Transformer, 460-600V	MPTRF

# Operational Control Panel

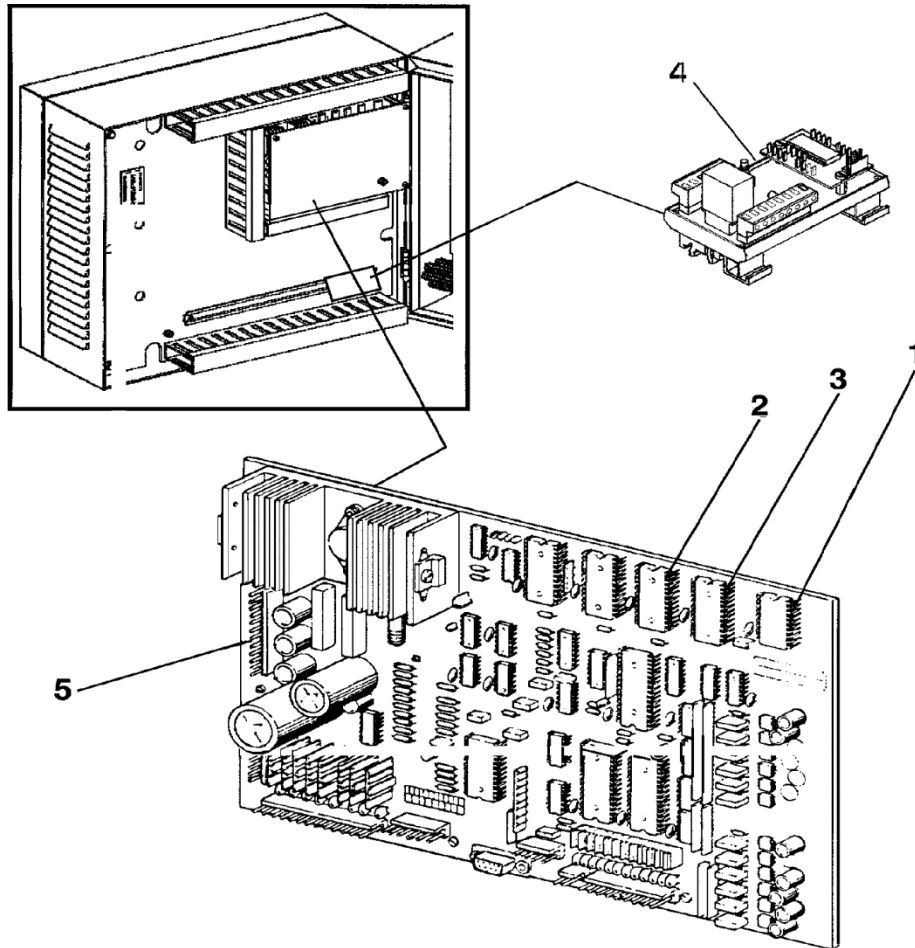
10-AAA21189A



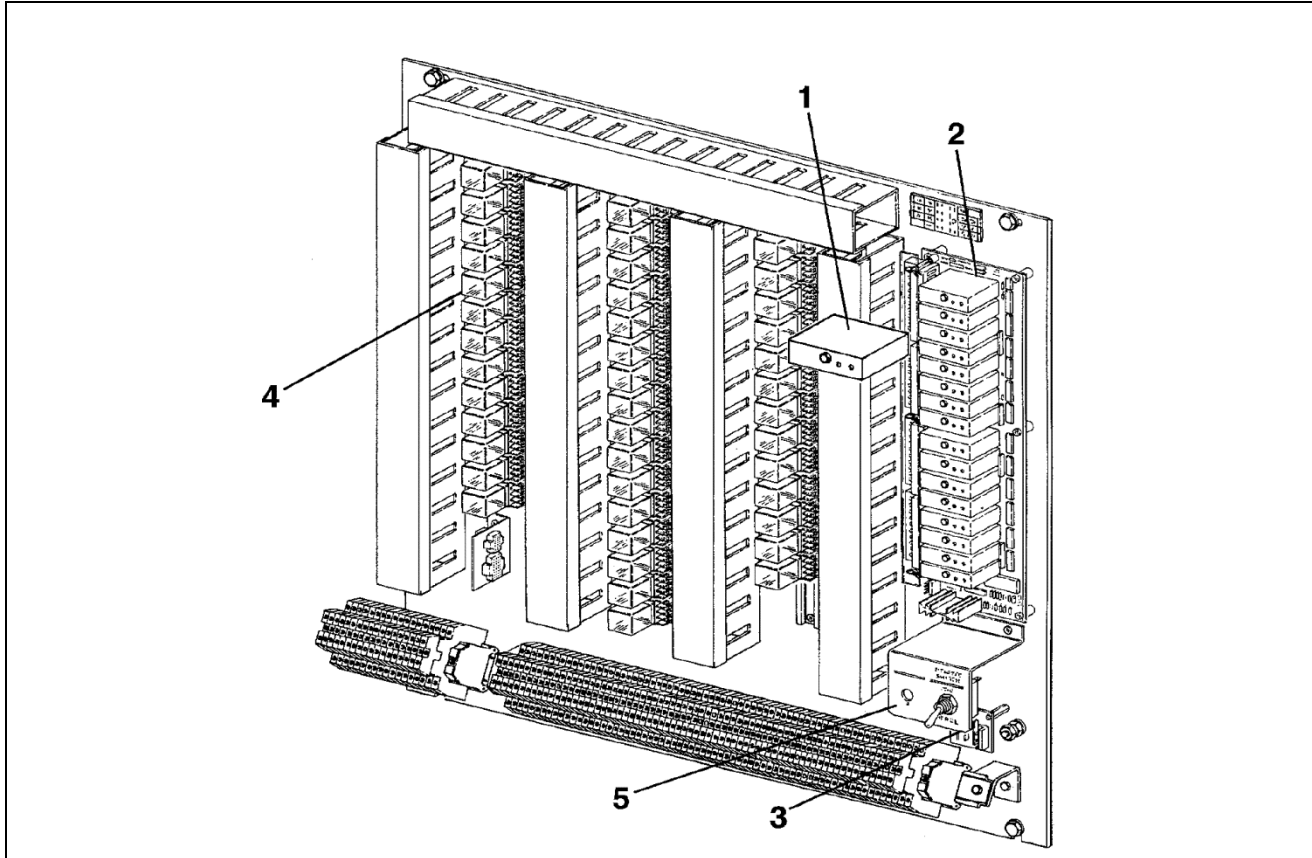
Last car in group illustrated. Simplex and first or mid car in group similar.

REF. No.	PART No.	DESCRIPTION	SYMBOL
	AAA21189A ABA21189A ACA21189A		
1	AAA00375AAF002	Breaker, Circuit, 1.0A	CB03
2	<del>AAA26890A2</del>	Module, Plug-In, 150V w/Multi-Group Tie-in w/Seismic/Emergency Power Operation	IOM2, 4, 6, 7, 8
	AAA26890A10	Module, Plug-in, Seismic (Earthquake)	IOM1
	<del>AAA26890A11</del>	Module, Plug-in, w/Seismic For EMO Motion	IMO3
	ABA26890A2	Module, 150V Plug-in, Input/Output	IMO1 through 8
3	<del>ABA26800ABL001</del>	PCB, Chime	
	AAA21305DJ1	Kit, Chime Replacement <b>NOTE</b>	
4	AAA21380S1	PCB AAA26800JN1, & Holder AAA180DE15	EOIB
5	AAA00613AAB003	Relay, w/Multi-Group Tie-in	GT
*	AAA613CZ9	Relay, 115VAC (not shown)	PSO
*	618AE2	Socket, Relay (not shown)	

**NOTE:** TIP 4.5-8 to replace the obsolete ABA26800ABL chime board with the AAA21305DJ1 chime replacement kit.



REF. No.	PART No.	DESCRIPTION	SYMBOL	
1	AAA616KS1	EEPROM, Blank, Erasable, 2K X 8	Z30	
2	AAA00616AAA001	EPROM, RAM, 8K X 8 Static, 200NS	Z28	
3	AAA616KH1	EPROM, Blank, Type 27C512, 32K X 8 CMOS	Z29	
	ABA30123AAA	EPROM, w/Baseline Software	Z29	
4	---	AAB21380E1	Module, Seismic	EQO
5	B9693A3	PCB, Limited Car	LCB	



	AAA21189A ABA21189A ACA21189A		
REF. No.	PART No.	DESCRIPTION	SYMBOL
1	AAA26890A2	Module, 150V Plug-in, Input / Output	
	ABA26890A2		
2	ABA26800ABV1	PCB, 32-Channel	
3	9693J1	PCB, Line Terminator	
4	P613AY5	Relay, 110VDC, 4-Pole	DCB DFC DOB DOL
	AAA613CZ12		REV SCM SGG RDCB
			RDOB RDOL RREV
			RSGS
4	630F4	Relay, 115VAC, 4-Pole	1TO_10TO BU
	AAA613CZ9		DC DHL DM DO EBR
			ECL GO MG NDG
			UHL UM RDC RDO
			RNDG RUHL RDHL
	R1TO_R3TO		
5	AA177EJ1	Switch	