

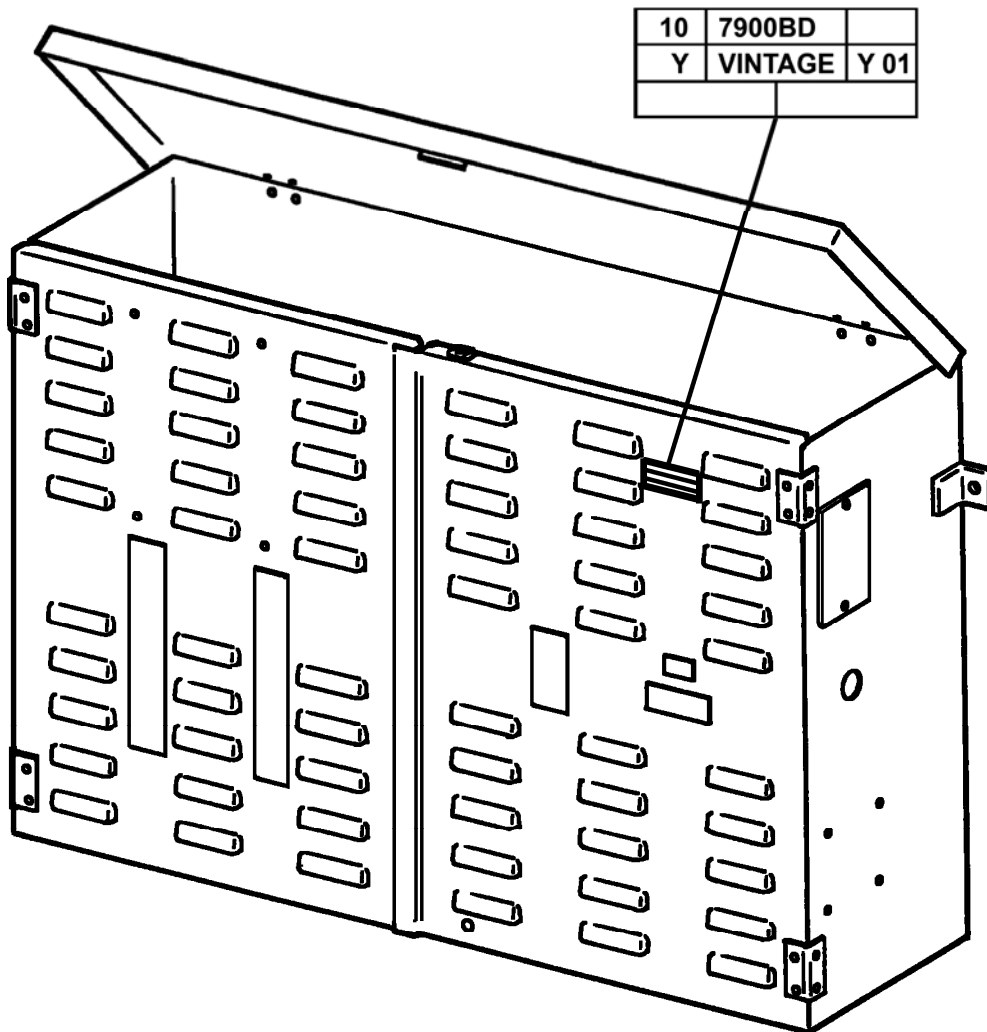
# Micro Computer Controller

(system = 200-240 V & >30 HP)

Spare Parts Leaflet

10-7900BD

December 21, 2011 / Page 1 of 8



Unpublished Work—© Otis Elevator Co.; 2011

# OTIS

Safety First!

SERVICE ENGINEERING  
Otis Elevator Company  
Bloomfield, Connecticut USA

## Leaflet Description

The SPL describes the lowest replaceable units (LRU) for the 7900BD controller.

### Leaflet Revisions

Date Revised	Subject Matter Expert	Reason for Revision
September 1, 1989	Jeff Costley (Technical Writer)	New SPL
November 1, 1995	---	Update SPL
September 25, 2006	John Dwyer	Update layout and starter and overload relay part numbers
October 7, 2008	John Dwyer	p. 6 Ref. 1 was 12 microfarad.
July 7, 2009	Matt Fournier	Updated p/n in ref. 3 on p. 4
September 23, 2009	Matt Fournier	Updated artwork for p/n in ref. 3 on p. 4
March 16, 2011	Matt Fournier	Included additional part options in references 2, 3, and 4 on p. 7
December 21, 2011	Matt Fournier	Updated references 2, 3, and 4 on p. 7

### Related Drawings

Drawing No.	Title	Drawing No.	Title
7900BD	Controller	---	---
---	---	---	---

### Related Documents

Document ID	Title
TIP 1.2.0-38	P613AP6, 7 and 9 Aromat Relay Replacements

### Subject Matter Expert

Name	Department
Matt Fournier	OSC Electrical Service Engineering

### About Spare Parts Leaflets...

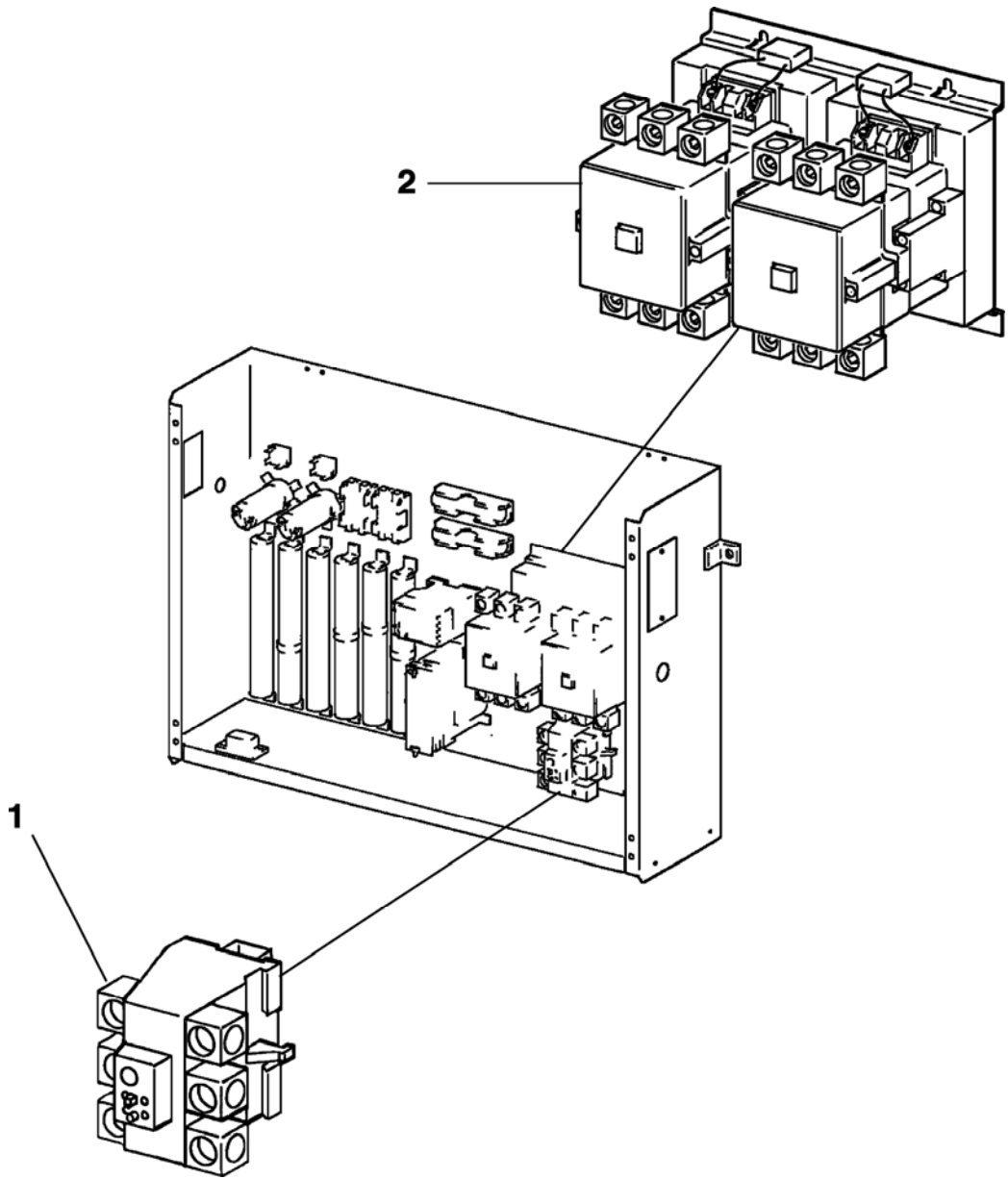
This document lists the lowest replaceable units (LRUs) for the standard version of the product. The LRUs are chosen by a team of Otis associates representing engineering and manufacturing.

While goal of this document is to make parts identification as easy as possible, the document cannot be all-inclusive. Elevator and escalator contracts classified as "special" or "custom" are not addressed here. For such contracts, please refer to specified information, the contract folder, TIPs, Field Education Articles, Construction Letters, etc. for further information.

If you have any suggestions about this document, please contact the subject matter expert listed on this page.

# Starter and Overload Relay

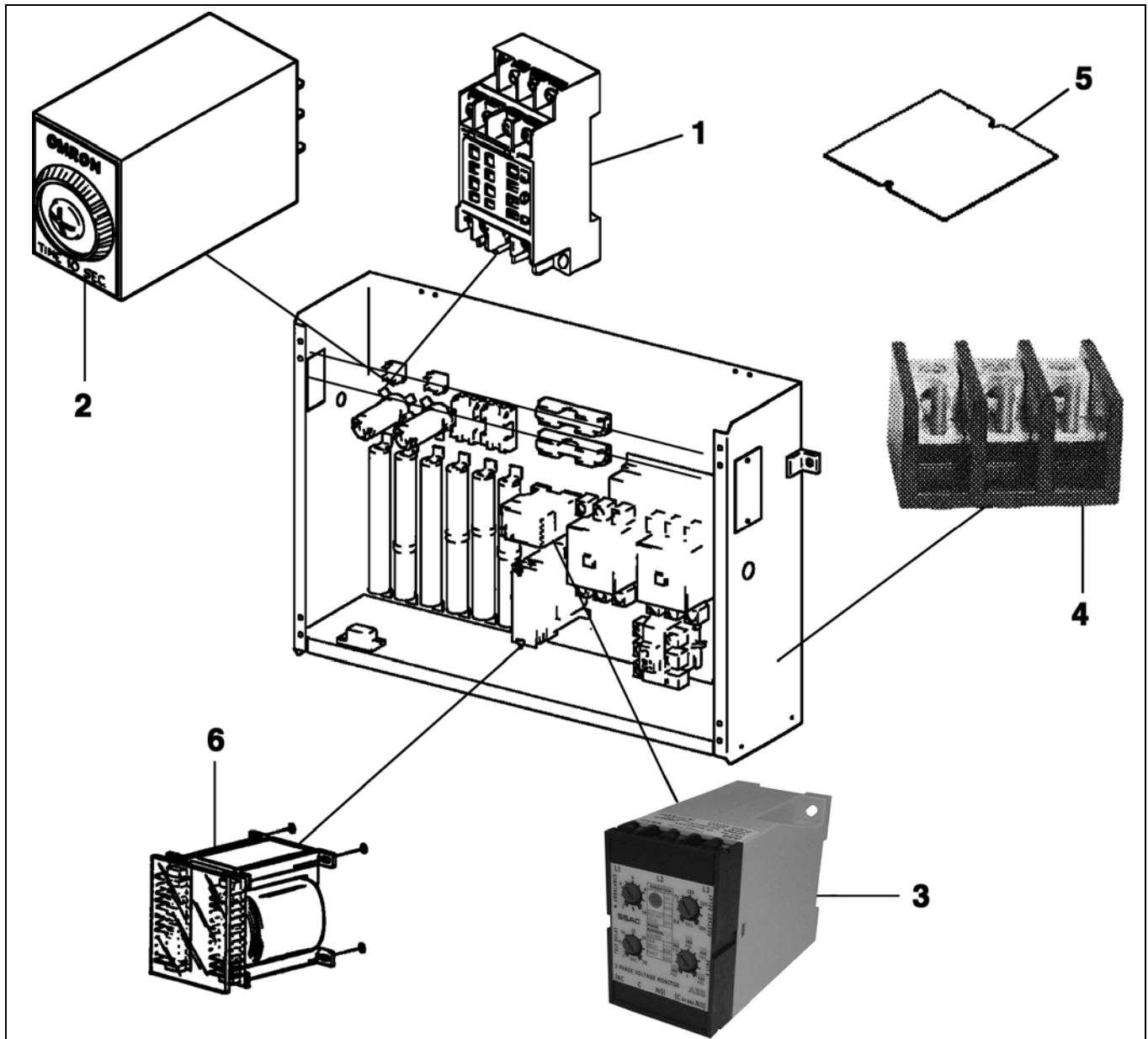
10-7900BD



VINTAGE Y 01		
REF. No.	PART No.	DESCRIPTION
1	613CE1 613CE2 613CE3	Relay, Thermal Overload
2	AAA07151AAA002 AAA638F107	Starter (LC-MC), NEMA 4, Wye-Delta, 200–240 V

10-7900BD

# Reverse Phase Relay

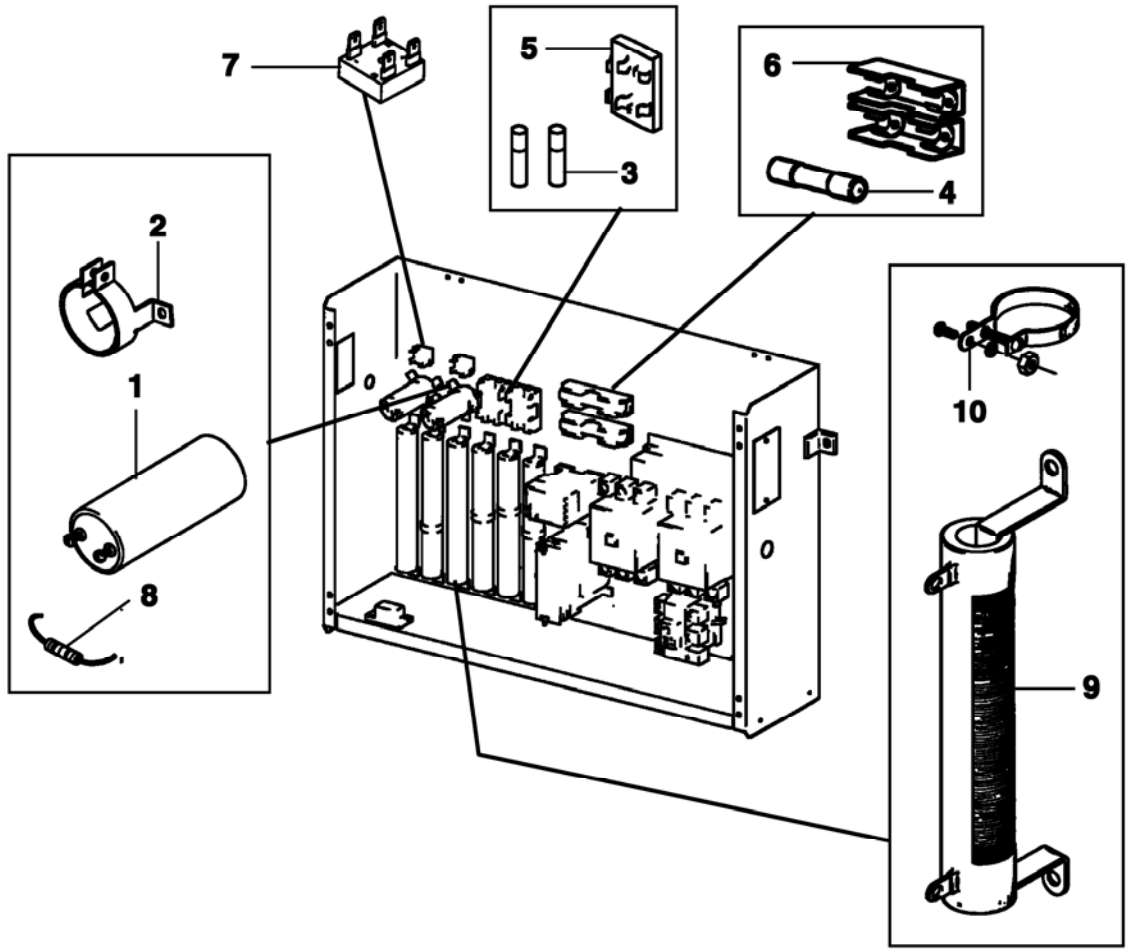


VINTAGE Y 01

REF. No.	PART No.	DESCRIPTION
1	618AE2	Relay Socket (T)
2	P613AY8	Relay, Timer (T)
3	<del>613BY4</del> 613BY23	Relay, Reverse Phase, 200-480 V (RPR)
4	303DH12	Terminal Block
5	303DH2	Terminal Block Cover
6	235DN1	Transformer (TRF), 200-240 V, (Sec. V: 120/115,105/21.2/75/80)

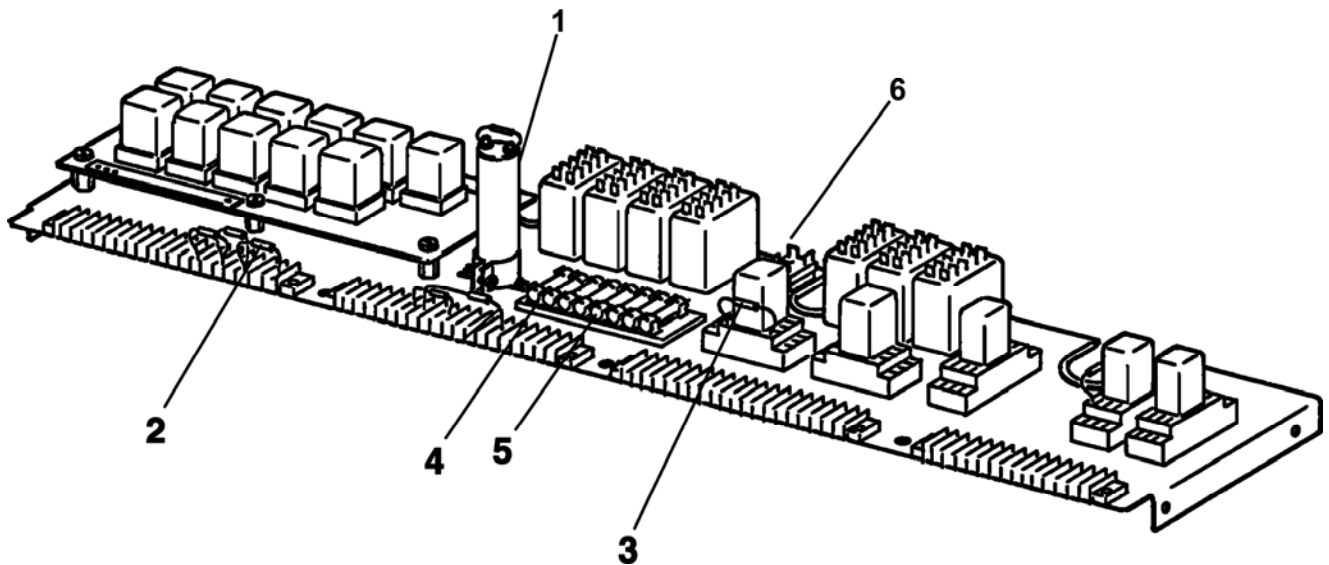
# Fuses and Resistors

10-7900BD



VINTAGE Y 01

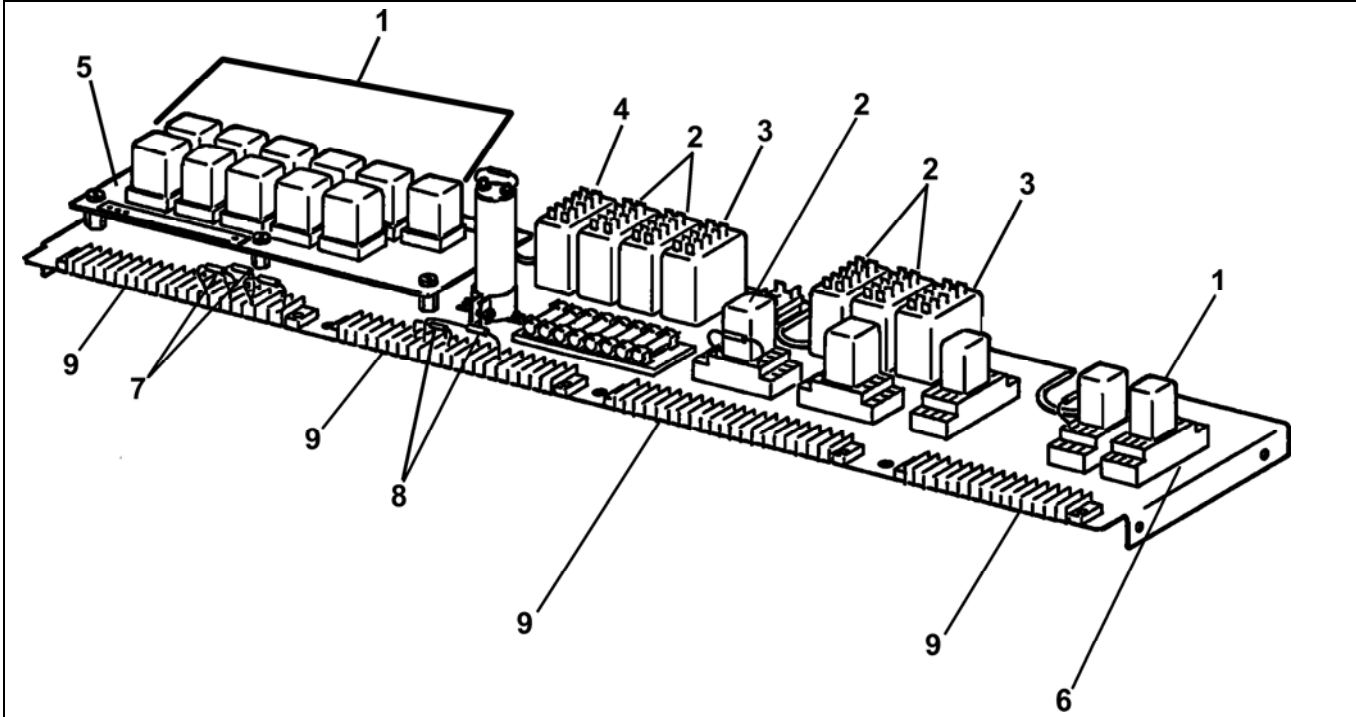
REF. No.	PART No.	DESCRIPTION
1	P226DA5	Capacitor (C)
2	P336JP4	Capacitor Clamp
3	375Y3	Fuse, 250 V, 3 A (F9, F10, F13, F14)
4	375W6	Fuse, 6 A (F7, F8)
5	180BP1	Fuse Holder (F9, F10, F13, F14)
6	P180BX1	Fuse Holder (F7, F8)
7	P230BP2	Rectifier (DRF)
8	232T17	Resistor, 75 KOhm, 2 W (R, RR)
9	AAA232FF10	Resistor, 250 Ohm, 225 W, (R1, RR1)
10	AAA232FF8	Resistor, 50 Ohm, 225 W (R2, R3, R4, RR2, RR3, RR4)
	P190AR1	Resistor Band



REF. No.	PART No.	DESCRIPTION
	VINTAGE Y 01	
1	P226DA4	Capacitor, 12k microfarad
2	P642J4 AAA00612AAA002	Diode, 3 A, 100 V (cathode at terminal 18)
3	642B2 AAA612AF2	Diode, w/Polyvinyl Sleeves, 400 PIV (RV, PRR, RDC, RDO, RNDGE)
4	375P26	Fuse, 1.5 A (F3)
	375T28	Fuse, 3 A (F1, F2, F4, F5, F6, F11)
	375T6	Fuse, 6.25 A (F12)
5	P303BA8	Fuse Holder
6	P230BK6	Rectifier, 1-Phase, 4 A, 400 V (DRF1)

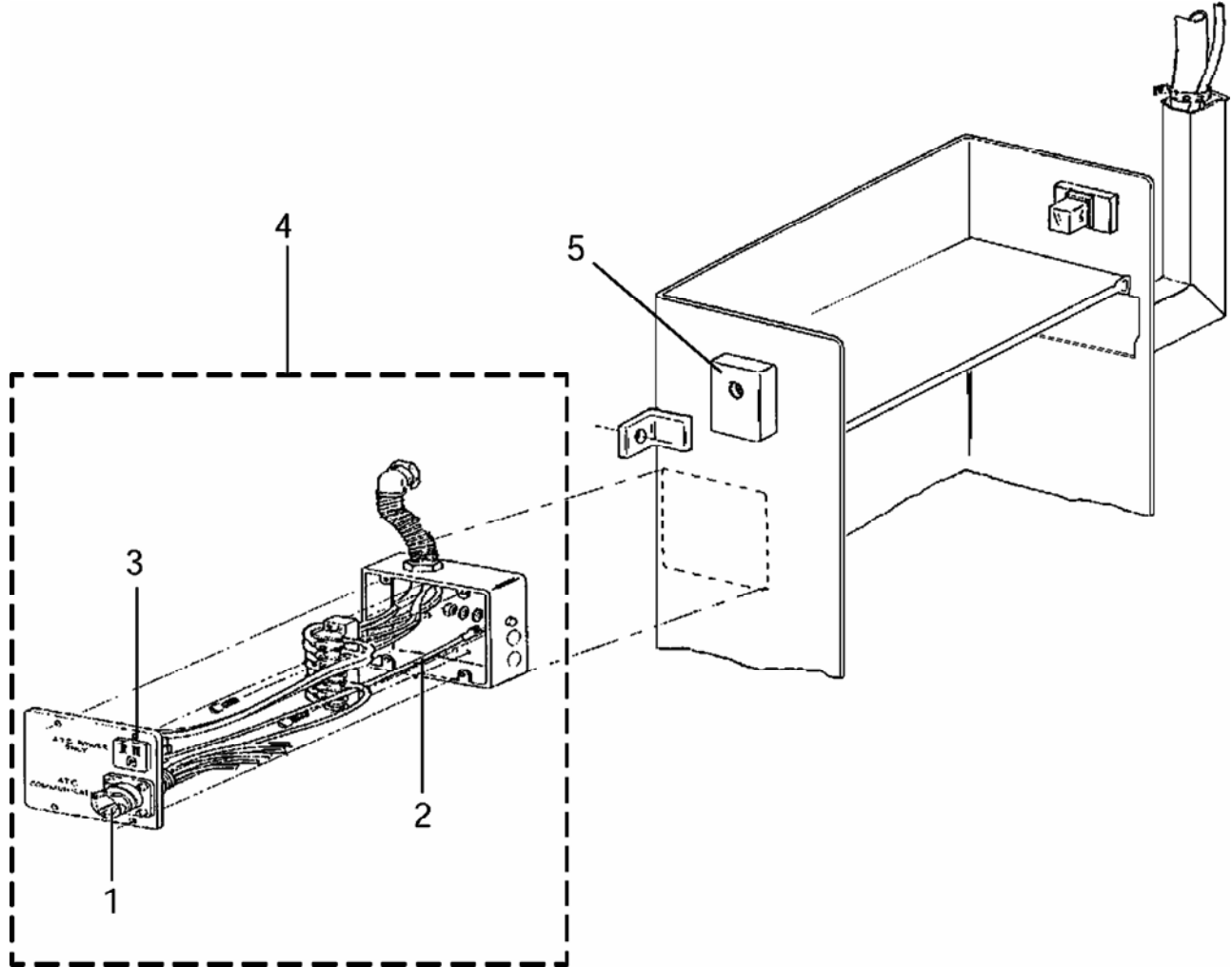
# 6840DY Relay Shelf

10-7900BD



VINTAGE Y 01		
REF. No.	PART No.	DESCRIPTION
1	630F4 AAA613CZ9	Relay, 115 VAC, 4 N.C. Contacts (DR, LPR)
	630F3 AAA613CZ8	Relay, 24 VDC, 4 N.C. Contacts (AUD, DC, DO, DZ, DLV, DMV, ULV, UMV, RNDGE, PM, PRR, NUDGE)
2	P613AP9 AAA24831M9 AAA613DL16	Relay, 115 VAC, 3 N.O., 1 N.C. Contacts (RDOR, RDCR), See NOTE
3	P613AP6 AAA24831M6 AAA613DL17	Relay, 120 VAC, 4 N.C. Contacts (RHES), See NOTE
4	P613AP7 AAA24831M7 AAA613DL15	Relay, 120 VAC, 4 N.O. Contacts (CSA), See NOTE
5	C8121AX1	PC Board, Relay (RB1)
6	618AE2	Relay Socket
7	232AT8	Resistor, 500 Ohm, 5 W (term.: 13/15, 15/17)
8	605H1	Suppressor, 0.5 Microfarad (term.: 26/29, 27/34, 69/85, 75/82)
9	P303CG1	Terminal Block

**NOTE:** For first time replacement, order AAA24831M\_; for subsequent replacements, order AAA613DL\_. Refer to TIP 1.2.0-38, P613AP6, 7 and 9 Aromat Relay Replacements, for replacement options.



VINTAGE Y 01

REF. No.	PART No.	DESCRIPTION
1	176DH4	ATC Receptacle
2	175BT1	Conductor
3	6599R2	Power Outlet
4	A8128T1	REM Junction Box Assembly
5	303CP1	Terminal Block, Phone