

**Robicon®
Direct Drive**

Spare Parts Leaflet

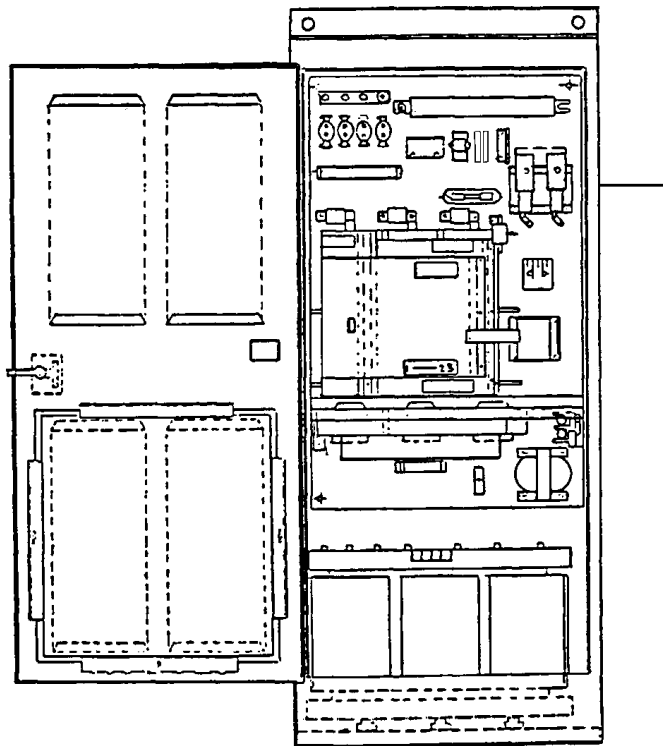
09-7601D

April 9, 2025 / Page 1 of 21

OBSOLESCENCE NOTICE

The product listed in this SPL is obsolete. Some components may still be available, but Otis recommends an upgrade (see TIP 32.2-1 for potential upgrade.)

09	7601D	1
Y	VINTAGE	Y 01
REV	EN	



This document does not contain any technical data subject to EAR or ITAR

SERVICE ENGINEERING
Otis Elevator Company
Bloomfield, Connecticut USA

Unpublished Work—© Otis Elevator Co.; 2025

Leaflet Description

This leaflet contains all Robicon® direct drive spare parts including contactors, fuses, filters, resistors, transformers, capacitors, relays, cables, boards, rectifiers, and heat sink assembly.

Leaflet Revisions

Date Revised	Subject Matter Expert	Reason for Revision
June 1985	Jeffrey S. Costley	New SPL
September 1997	---	---
October 1999	Val Minnes	Update information on p. 9.
July 5, 2006	Anh Pham	Update part numbers to A6 transformer on p. 6.
November 10, 2008	Anh Pham	Added thermal sensor part numbers on page 21.
August 18, 2009	Anh Pham	Updated thermal sensor illustration on p. 21
October 2, 2013	Anh Pham	Updated part numbers throughout
April 9, 2025	Juan Murillo	Updated OBSOLESCENCE note on cover.

Related Drawings

Drawing No.	Title	Drawing No.	Title
7601D	Robicon Direct Drive		

Related Documents

Document ID	Title
SPL 10-7151A	AC and DC Contactors

Subject Matter Expert

Name	Department
Anh Pham	OSC Service Engineering

About Spare Parts Leaflets...

This document lists the lowest replaceable units (LRUs) for the standard version of the product. The LRUs are chosen by a team of Otis associates representing engineering and manufacturing.


While goal of this document is to make parts identification as easy as possible, the document cannot be all-inclusive. Elevator and escalator contracts classified as “special” or “custom” are not addressed here. For such contracts, please refer to specified information, the contract folder, TIPS, Field Education Articles, Construction Letters, etc. for further information.

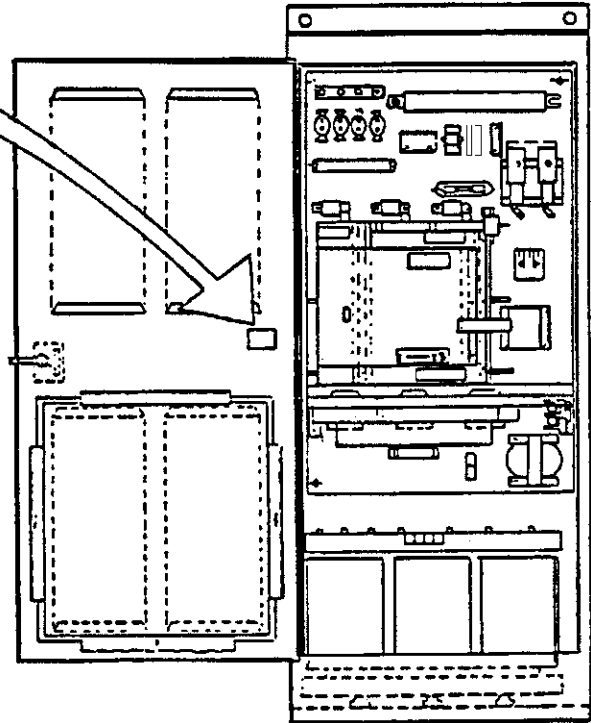
If you have any suggestions about this document, please contact the subject matter expert listed on this page.

Assembly No. to Duty No. Table

09-7601D

OTIS ELEVATOR COMPANY

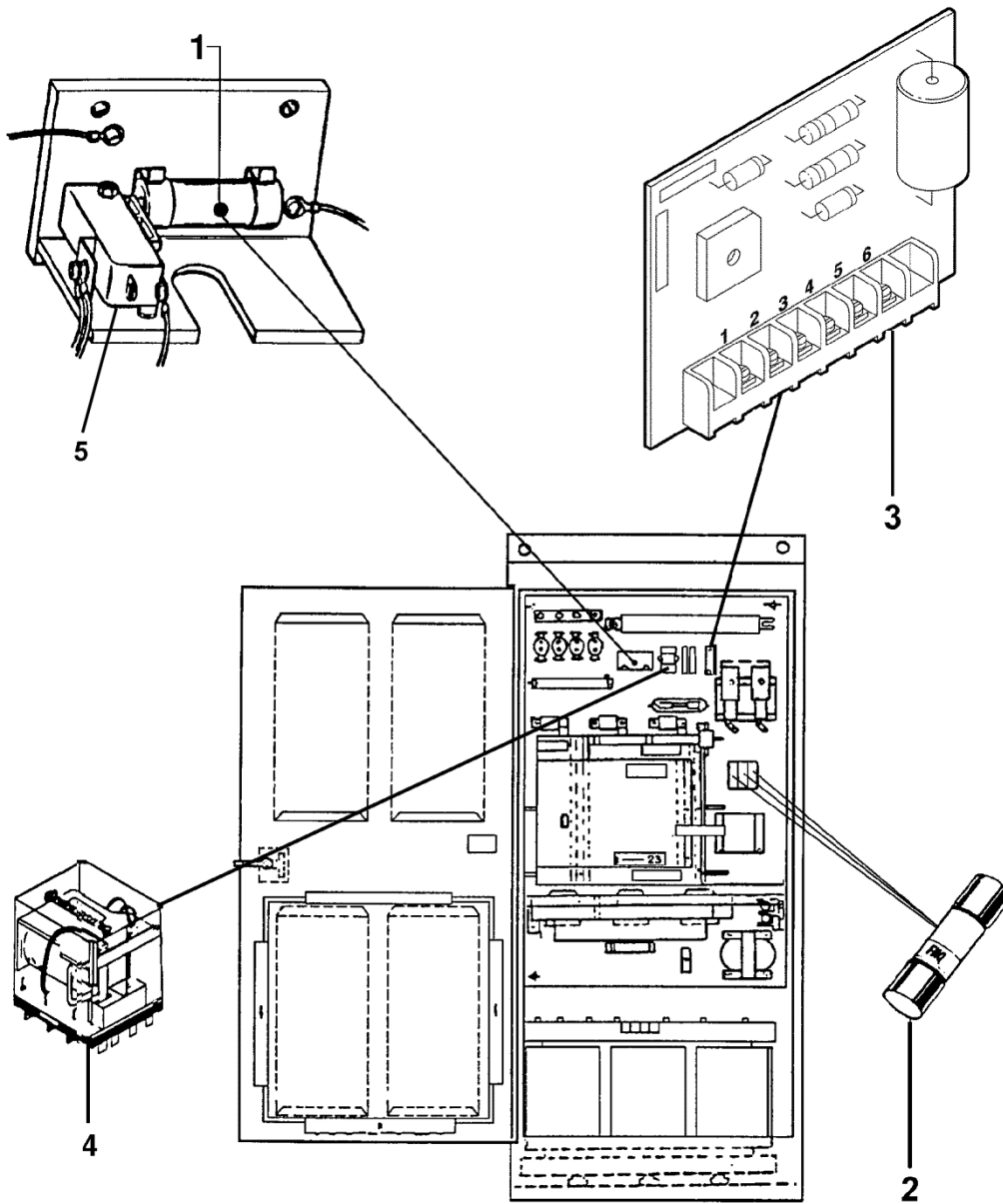
PART NO.	SERIAL NO.	JOB NO.
AC INPUT		DC OUTPUT
VOLT:	VOLT:	
AMP:	AMP:	
PHASE: 3	HZ:	ELEVATOR DUTY
MFG BY: ROBICON		
PAT. NO.		
OTIS		LR48361



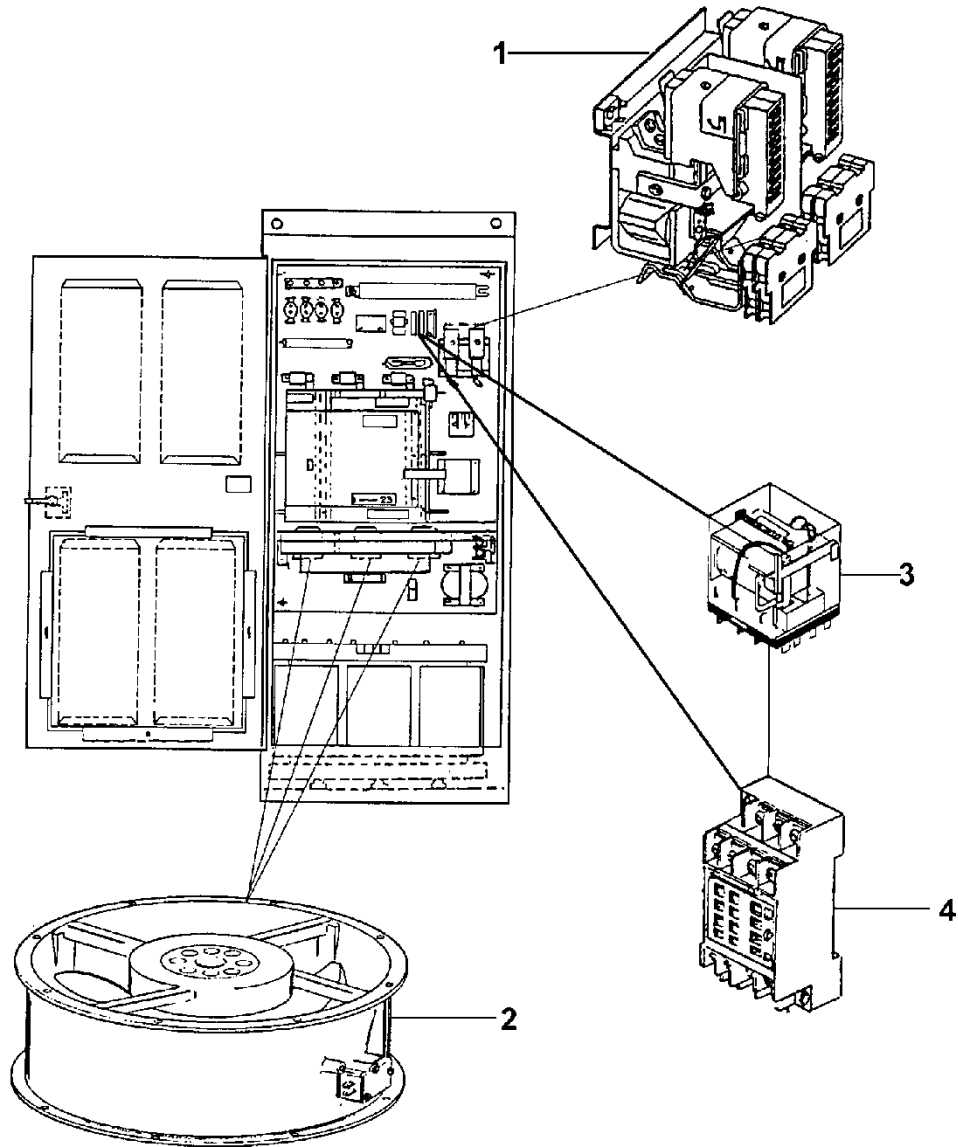
ROBICON® PART NO.	DUTY NO.
426258.01	001
426258.02	004
426258.03	008
426258.04	015
426358.05	005
426258.06	009
426258.07	002
426258.08	006
426258.13	29A
426258.14	30A
426259.01	016
426259.02	022
426259.03	029
426259.04	030
426259.05	010
426259.06	017
426259.07	023
426259.08	043
426259.12	15A

ROBICON® PART NO.	DUTY NO.
426259.13	22A
426259.14	10A
426259.15	17A
426259.16	23A
426259.17	03A
426259.18	07A
426259.19	11A
426259.20	18A
426358.01	003
426358.02	007
426358.03	011
426358.04	018
426358.05	024
426358.06	031
426358.07	033
426358.08	012
426358.09	038
426358.10	019
426358.11	025

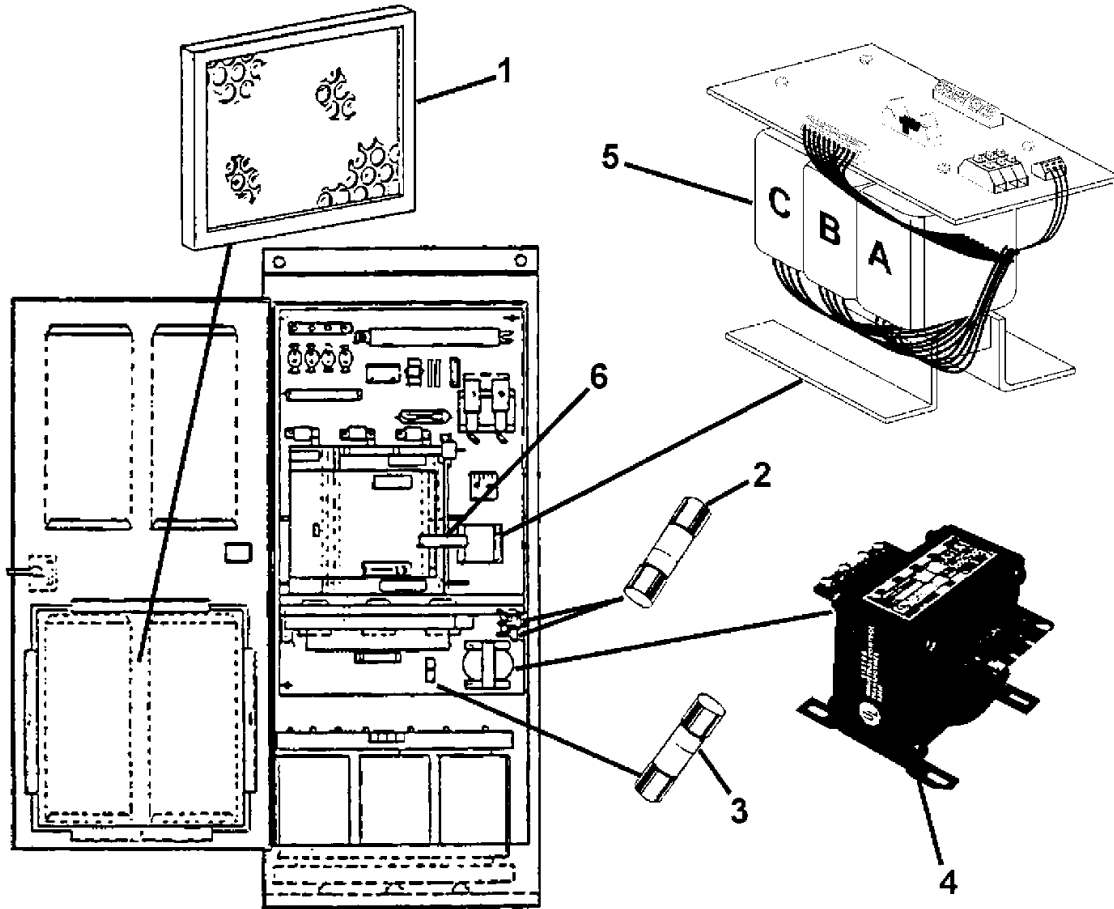
ROBICON® PART NO.	DUTY NO.
426358.14	24A
426358.61	18B
426359.01	013
426359.02	020
426359.03	026
426359.04	032
426359.05	034
426359.06	014
426359.07	039
426359.08	021
426359.09	027
426359.10	035
426359.11	040
426359.21	036
426359.22	041
426359.23	037
426359.24	042
426359.25	028



VINTAGE Y 01			
REF. No.	PART No.	DESCRIPTION	SYMBOL
1	RBKAZ LA5P17-0223	Device, Trigger	KAZ
2	RBFNQ2 AAA375BV5	Fuse, 2 A	F2 - F4
	RBFNQ3.5 AAA375BK28	Fuse, 3.5 A (208 V only)	
3	AAA26800XX1	PC Board, Suppressor	CCS
4	RBKUEP3D15-24	Relay, Control	YM
5	LA5P19-0071	Switch, Micro, Used with p/n LA5P17-0223	---



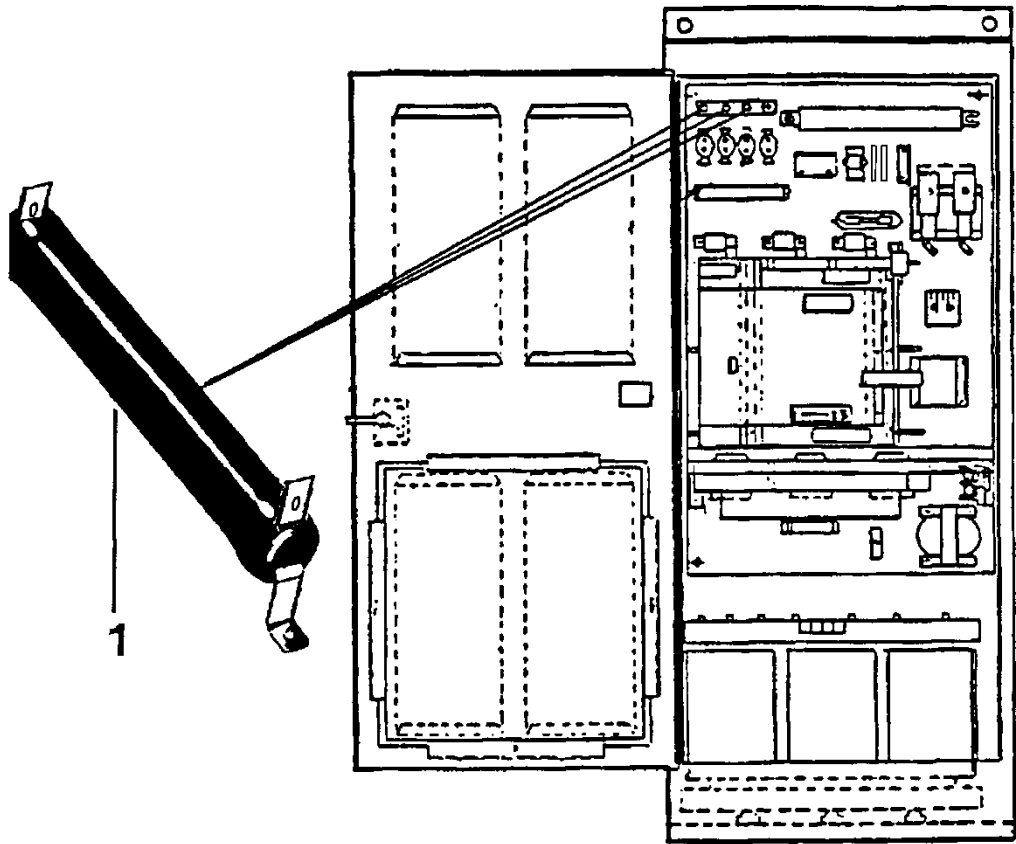
VINTAGE Y 01			
REF. No.	PART No.	DESCRIPTION	SYMBOL
1	RB14-193-770-526 7451AP4 SA14-193-770-570	Contactors, NEMA 4-1/2, 👁 Detail SPL 10-7151A	KLA, KLB
2	RBTN3C2	Fan	FAN1-3
3	AAA613CZ9	Relay, Control	1-X1M, 2-X2M
4	P618Y1 618AE2	Socket, Relay	



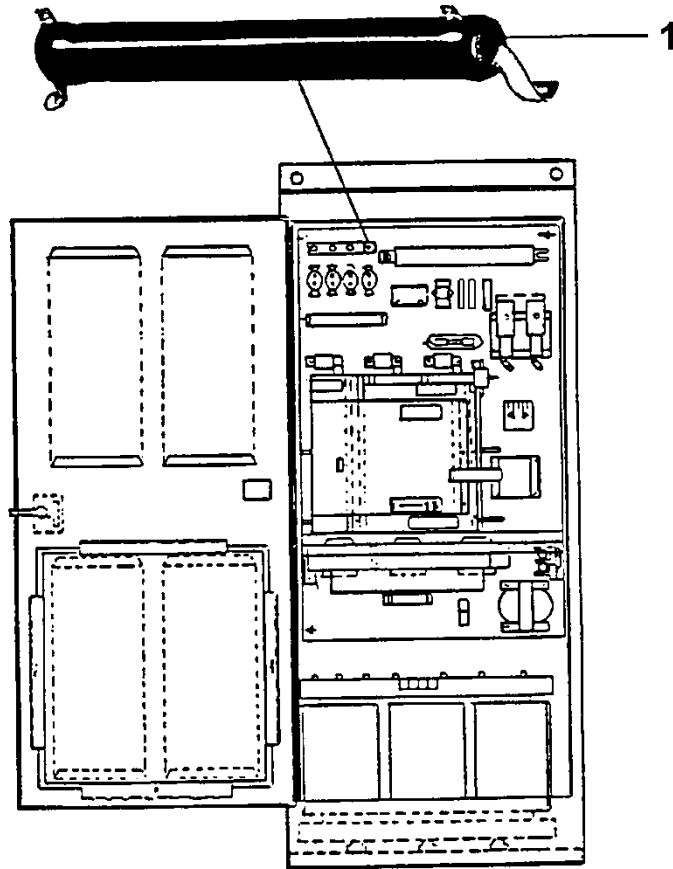
VINTAGE Y 01			
REF. No.	PART No.	DESCRIPTION	SYMBOL
1	RB2603K55 HT206378-1	Filter	---
2	RBFRS30 AAA375BZ40	Fuse, 30 A	F5, F6
3	RBFNM7	Fuse, 7 A	F1
4	RBW500 AAA225HG1	Transformer, 1-Phase	T1
5	RB326-006-21	Transformer, 3-Phase, \overline{W} 460 V AC, Duty: 10S2, 24, 24S, 24S1	A6
	RB326-006-22	Transformer, 3-Phase, \overline{W} 460 V AC, Duty: 34S, 37S, 40S, 41S, 42S	
	RB326-006-23	Transformer, 3-Phase, \overline{W} 400 V AC, Duty: 8S1, 9S	
	RB326-006-25	Transformer, 3-Phase, \overline{W} 208 V AC, Duty: 1S, 2S, 3AS, 4S, 5S, 8S, 10S, 10S1, 15S, 20S, 29S	
	RB326-006-29	Transformer, 3-Phase, \overline{W} 600 V AC, Duty: 10AS, 15S1, 16S, 17AS	
6	RB260-478	Ribbon Cable	---

Resistors

09-7601D



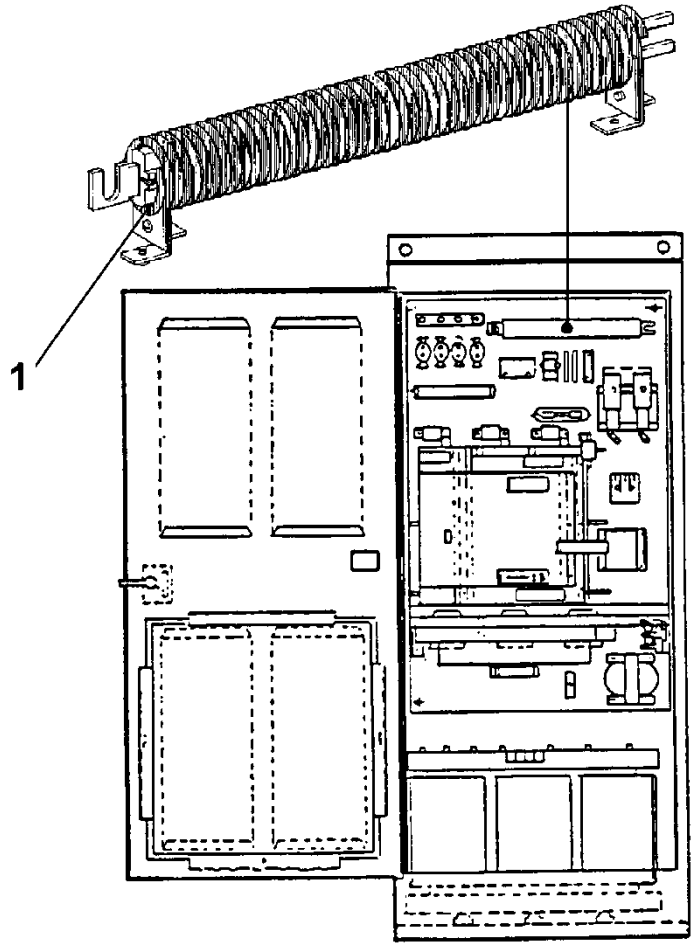
VINTAGE Y 01				
REF. No.	PART No.	DESCRIPTION	DUTY	SYMBOL
1	RBO200D AAA232FR3	Resistor, 50 Ω, 25 W	001 002 004 005 006 008 009 013 014 015 020 021 026 027 032 034 039 29A 30A 16A 22A 10A 17A 23A	R1 - R3
	RBO200G	Resistor, 150 Ω, 25 W	043	
	RBO400D AAA232GG9	Resistor, 50 Ω, 50 W	010 016 017 022 023 029 030 035 040	
	RBO400G AAA232GG12	Resistor, 150 Ω, 50 W	003 007 011 012 018 019 024 025 031 033 038 03A 07A 11A 18B	
	RBO400F	Resistor, 150 Ω, 50 W	24A 18B	
	RBO604 AAA232GF12	Resistor, 100 Ω, 100 W	028 036 037 041 042	



VINTAGE Y 01								
REF. No.	PART No.	DESCRIPTION	DUTY		SYMBOL			
1	RBO200C AAA232FR2	Resistor, 25 Ω, 25 W	043		R4			
	RBO400B AAA232GG6	Resistor, 10 Ω, 50 W	001 008 020 034 22A	002 009 021 039 10A		004 013 026 29A 17A	005 014 027 30A 23A	006 015 032 16A
	RBO400C AAA232GG8	Resistor, 25 Ω, 50 W	24A	18B				
	RBO600B AAA232GF6	Resistor, 10 Ω, 100 W	010 027	016 029		017 030	022 035	023 034
	RBO604 AAA232GF8	Resistor, 25 Ω, 100 W	003 019 038	007 024 03A		011 025 07A	012 031 11A	018 033 18B
	RBO701	Resistor, 25 Ω, 175 W	028	036		037	041	042

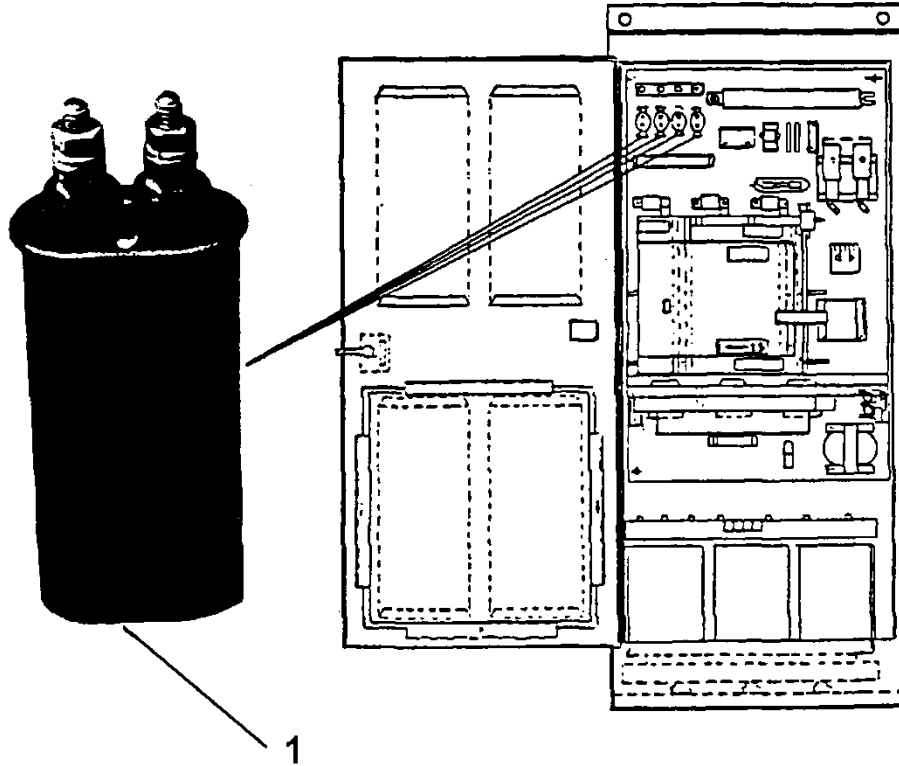
Resistors

09-7601D



VINTAGE Y 01								
REF. No.	PART No.	DESCRIPTION	DUTY					SYMBOL
1	RB2319 AAA232HK7	Resistor, Dynamic Braking	001	002	004	005	006	RD8
			008	009	010	013	014	
			015	016	017	022	023	
			029	030	043	03A	07A	
			10A	11A	16A	17A	18A	
	22A	23A						
	RB2313 AAA232HK8		24A	18B				
	RB2334A AAA232HK10		013	020	026	032	034	
	RB2335A		039	035	040	041		
			014	021	027	028	036	
			037	042				
	RB2337A		003	007	011	012	018	
			019	024	025	031	033	
			038					

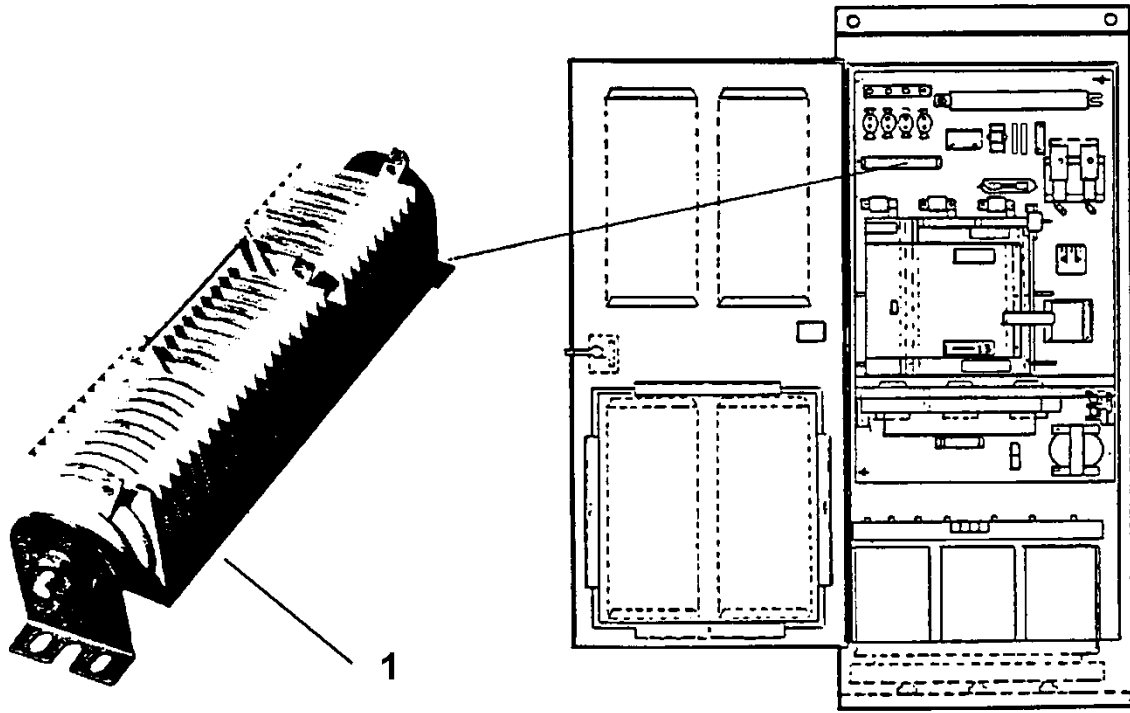
Capacitors



VINTAGE Y 01								
REF. No.	PART No.	DESCRIPTION	DUTY					SYMBOL
1	RB26F6732FC	Capacitor	001	002	004	005	006	C1 - C4
			008	009	010	013	014	
			015	016	017	020	021	
			022	023	026	029	030	
			10A	11A	16A	17A	18A	
22A	23A	29A	30A					
	RB26F6742FC		003	007	011	012	018	
	COMMA97F8620		019	024	025	028	031	
			033	036	037	038	041	
	RB26F6743FC		042	24A	18B			
	RB26F6769FC		027	035	040			
			043					

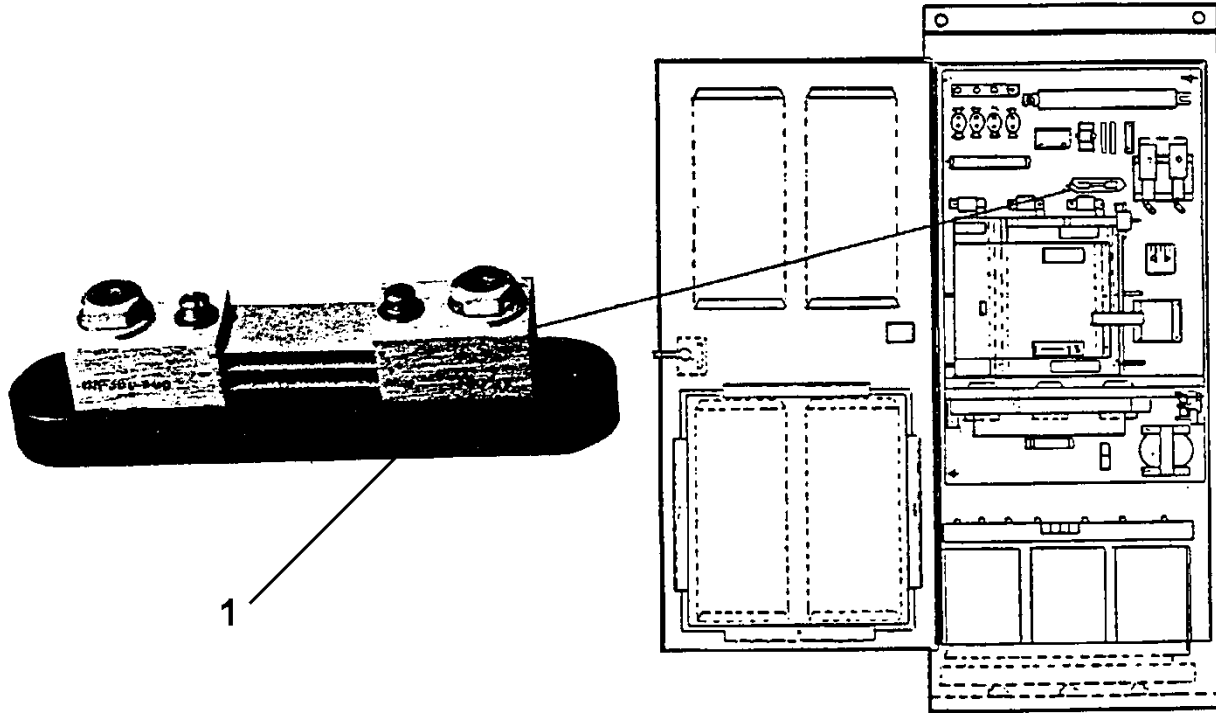
Voltraps

09-7601D



VINTAGE Y 01				
REF. No.	PART No.	DESCRIPTION	DUTY	SYMBOL
1	RBS01DA51UC	Voltrap	003 007 011 012 018 019 024 025 031 033 038 24A 18B	VS1
	RBS02DA36UC		013 014 020 021 026 027 032 034 039	
	RBS02DA57UC		028 035 036 037 040 041 042	
	RBS03DA24UC		001 002 004 005 006 008 009 015 29A 30A	
	RBS03DA30UC		010 016 017 022 023 029 030 043 03A 07A 10A 11A 16A 17A 18A 22A 23A	

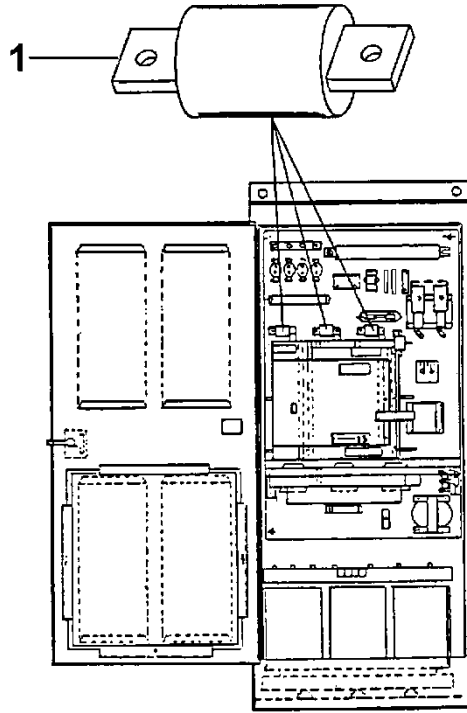
Shunts



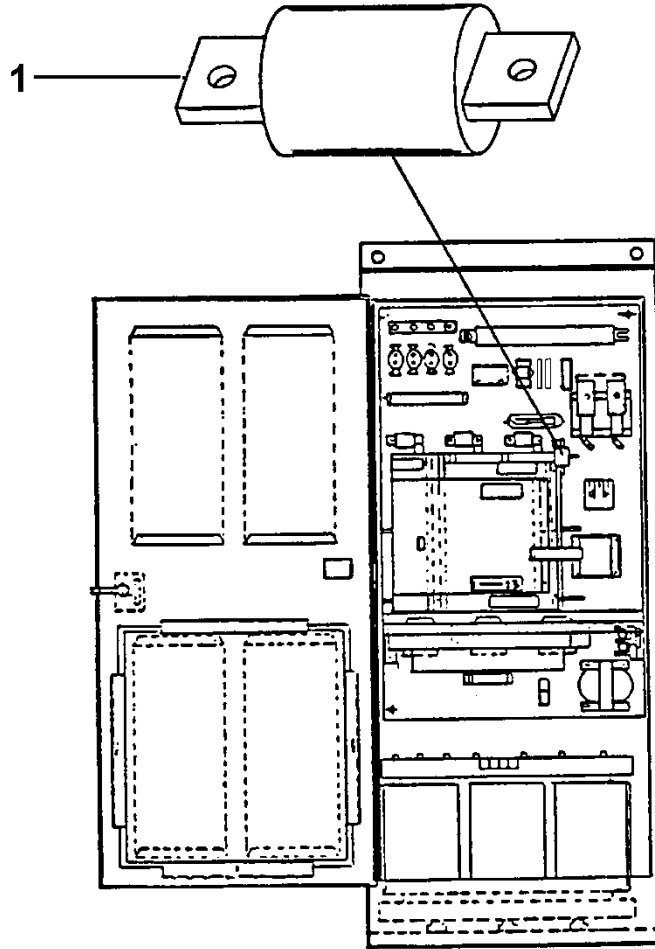
VINTAGE Y 01								
REF. No.	PART No.	DESCRIPTION	DUTY					SYMBOL
1	RBHA-200-100	Shunt	003	007	011	012	018	SH
	RBHA-300-100		019	024	025	031	033	
038			24A	18B				
001			002	004	005	006		
008			009	010	013	014		
015			016	017	020	021		
022			023	026	027	028		
029			030	032	034	035		
036			037	039	040	041		
042	03A		07A	10A	11A			
16A	17A	18A	23A	29A				
			30A					

Fuses

09-7601D



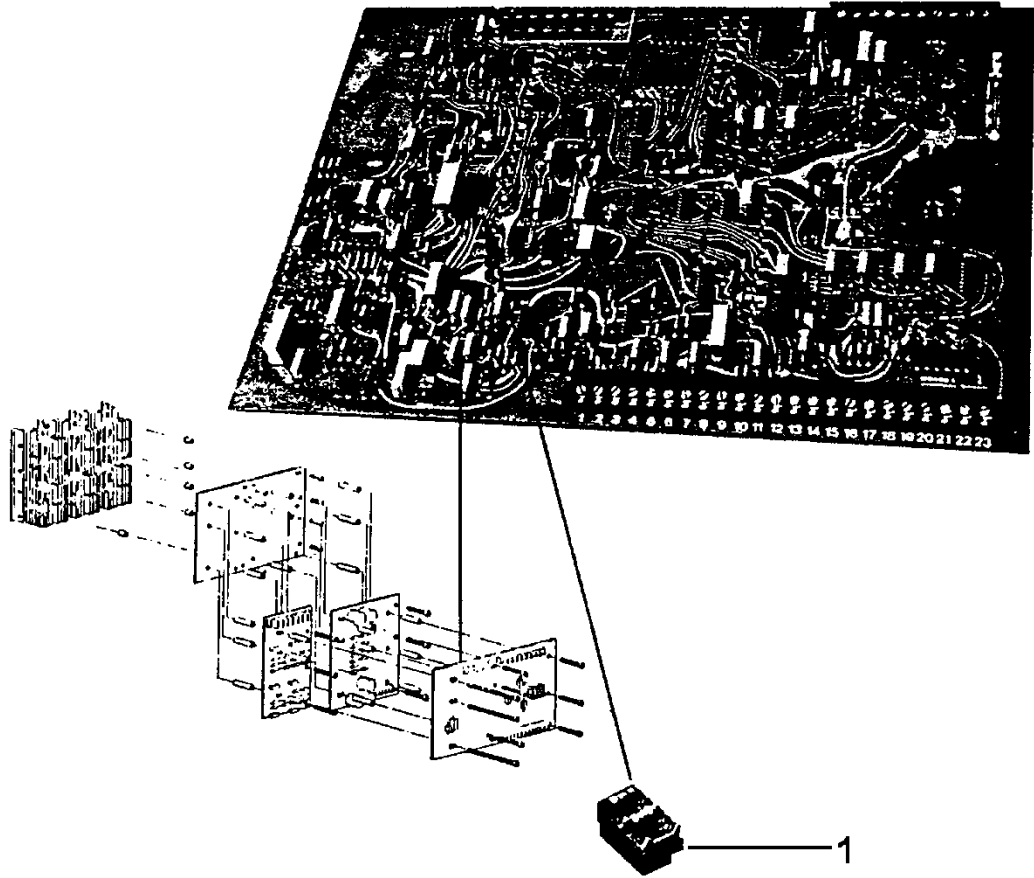
VINTAGE Y 01									
REF. No.	PART No.	DESCRIPTION	DUTY					SYMBOL	
1	RBA50P200	Fuse, AC, 200 A	003	007	011	012	018	F11 - F13	
			019	024	025	031	033		
			038	24A	18B				
	RBA50P250	Fuse, AC, 250 A	001	002	004	005	006		
			008	009	015	29A	30A		
	RBA50P300	Fuse, AC, 300 A	010	016	017	022	023	F11 - F13	
			029	030	043	03A	07A		
			10A	11A	16A	17A	18A		
			22A	23A					
	RBA50P350 AAA375CD7	Fuse, AC, 350 A	013	014	020	021	026	F11 - F13	
			027	028	032	034	035		
			036	037	039	040	041		
			042						



VINTAGE Y 01									
REF. No.	PART No.	DESCRIPTION	DUTY					SYMBOL	
1	RBA50P250	Fuse, 250 A	003	007	011	012	018	F11 - F13	
			019	024	025	031	033		
			038	24A	18B				
	RBA50P350 AAA375CD7	Fuse, 350 A	001	002	004	005	006		
		008	009	015	29A	30A			
RBA50P400	Fuse, 400 A	010	016	017	022	023			
		029	030	043	03A	07A			
		10A	11A	16A	17A	18A			
		22A	23A						
		013	014	020	021	026			
RBA50P500	Fuse, 500 A	027	028	032	034	035			
		036	037	039	040	041			
		042							

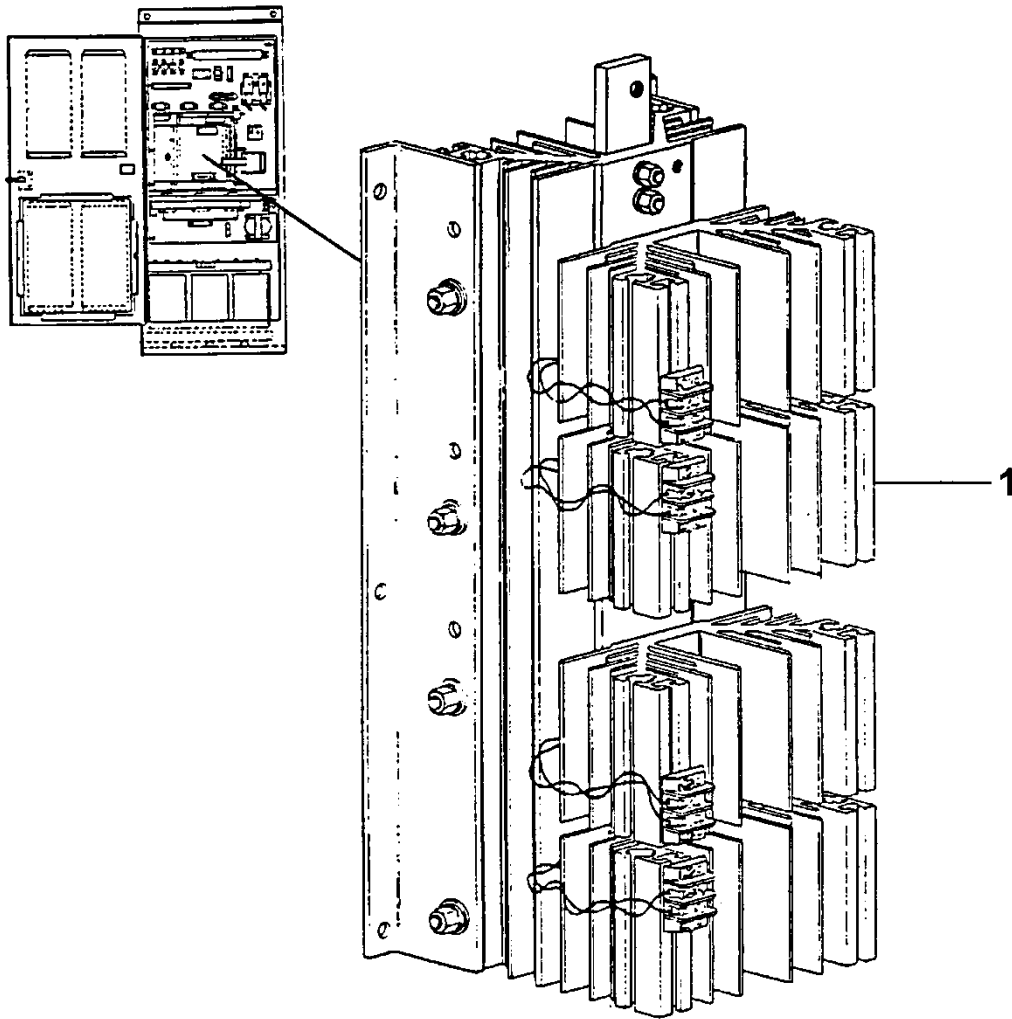
Plug

09-7601D



VINTAGE Y 01			
REF. No.	PART No.	DESCRIPTION	DUTY
1	RB260-483-1 RB260-483-01	Plug, Gain Calibrate	013 014 020 021 026 027 028
	RB260-483-2		012 019 025 042
	RB260-483-3		036 037 041 03A 07A 11A 18A
	RB260-483-4 RB260-483-04		002 003 006 007 010 011 017 018 023 024 034 035 040 043 10A 17A 23A 24A 18B
	RB260-483-5		005 009 032 039 22A
	RB260-483-6		001 004 008 015 016 022 029 030 031 033 038 16A 29A 30A

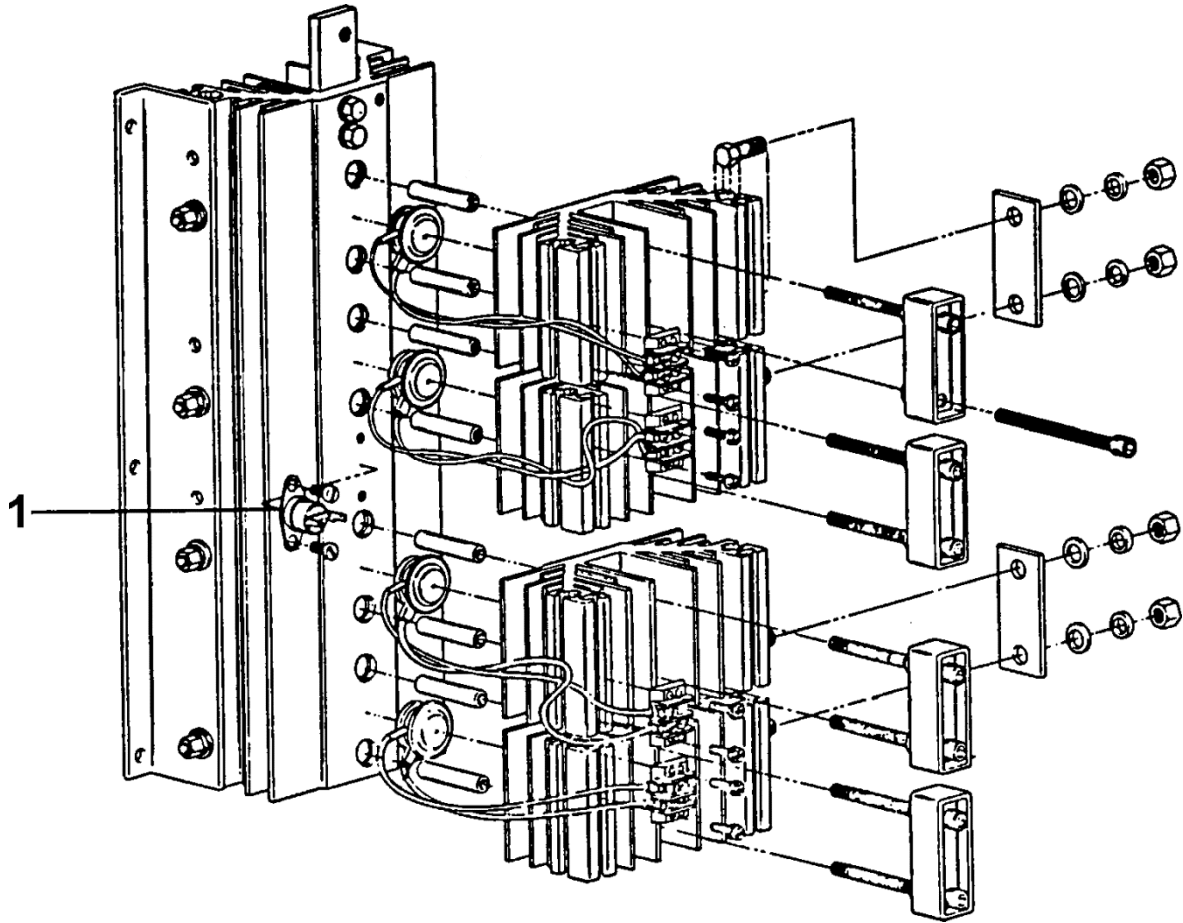
RB326-052 Heat Sink Assembly



VINTAGE Y 01							
REF. No.	PART No.	DESCRIPTION	DUTY				
1	RB326-052-1	Assembly, Heat Sink	001	002	004	005	006
	RB326-052-2		008	009	015	29A	30A
			010	016	017	022	023
			029	030	043	03A	07A
			10A	11A	16A	17A	18A
22A	23A						
RB326-052-3		003	007	011	012	018	
RB326-052-4		019	024	025	031	033	
		038	24A	18B			
RB326-052-4		013	014	020	021	026	
RB326-052-5		027	032	034	039		
		028	035	036	037	040	
		041	042				

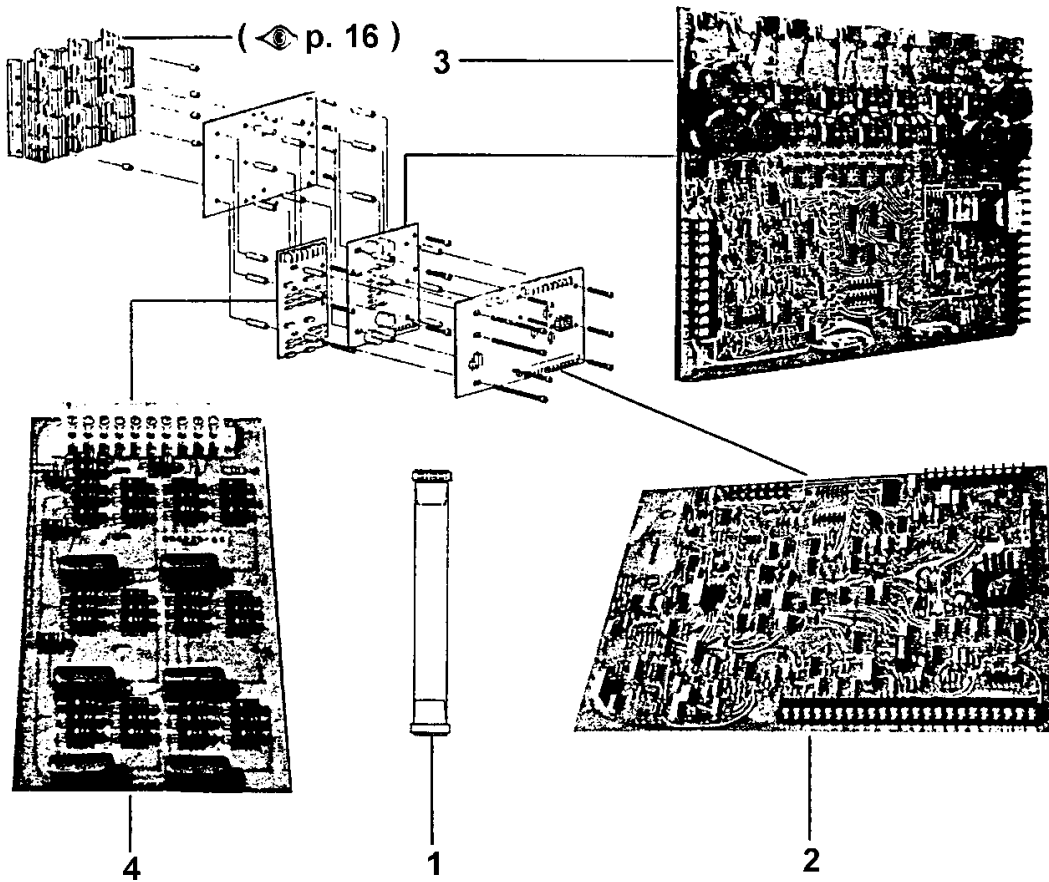
Heat Sink Spare Parts

09-7601D



VINTAGE Y 01

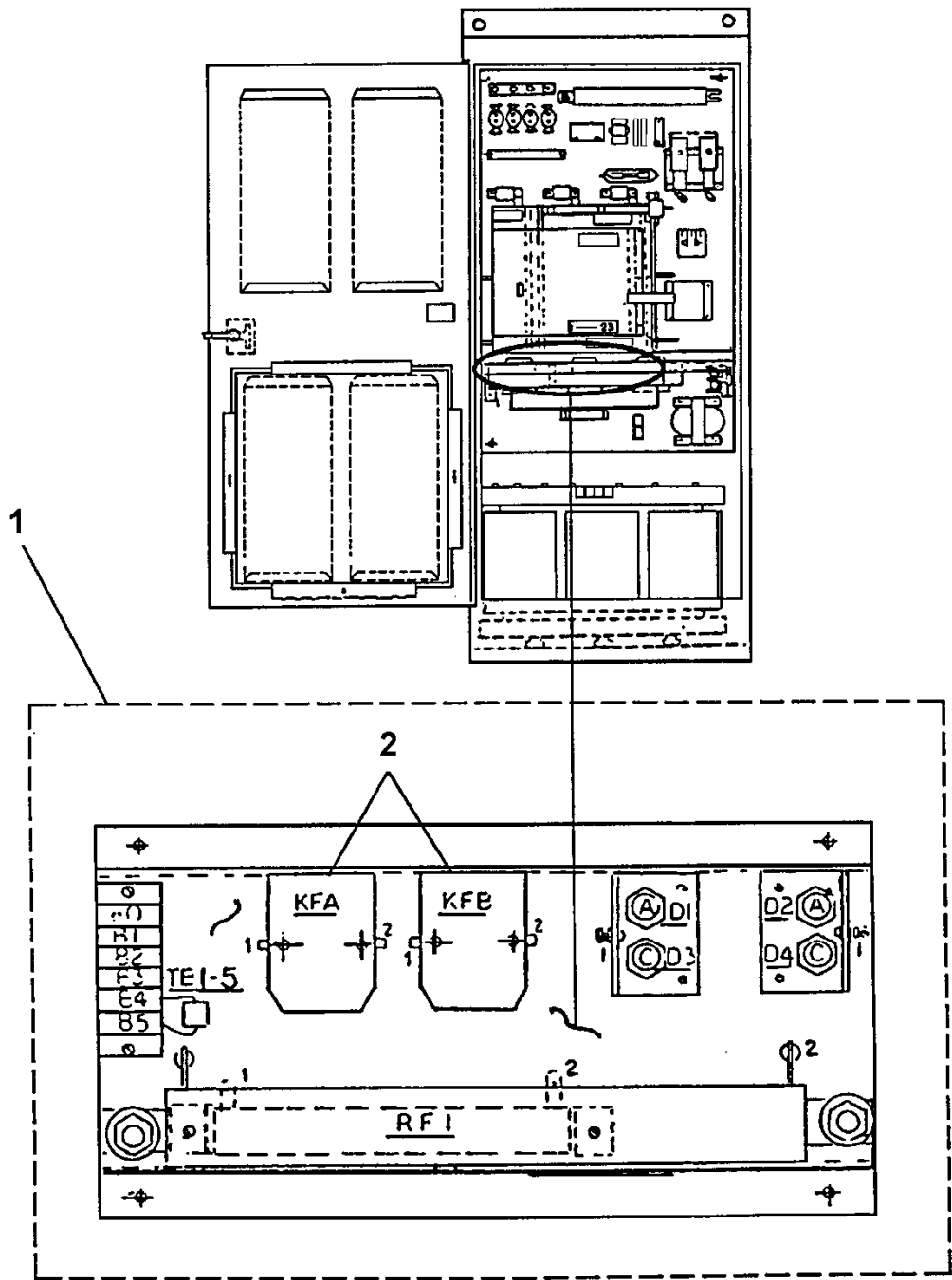
REF. No.	PART No.	DESCRIPTION	DUTY	SYMBOL
1	RB161-025-3		Switch, Thermal	TS1-3



VINTAGE Y 01					
REF. No.	PART No.	DESCRIPTION	DUTY		SYMBOL
1	RB260-478	Assembly, Cable			---
2	RB560-275-04 RB560-275-2	Board, Control			PCB1
3	RB560-276-02	Board, Gate			PCB2
4	RB326-010-70	Board, Suppressor	001 002 004 005 006	PCB3	
			008 009 015 29A 30A		
	RB326-010-71 RB326-010-71 RB326-010-51		010 016 017 022 023 029 030 043 03A 07A 10A 11A 16A 17A 18A 22A 23A		
	RB326-010-72 RB326-010-52		003 007 011 012 018 019 024 025 031 033 038 24A 18B		
	RB326-010-73 RB326-010-53		013 014 020 021 026 027 028 032 034 035 036 037 039 040 041 042		

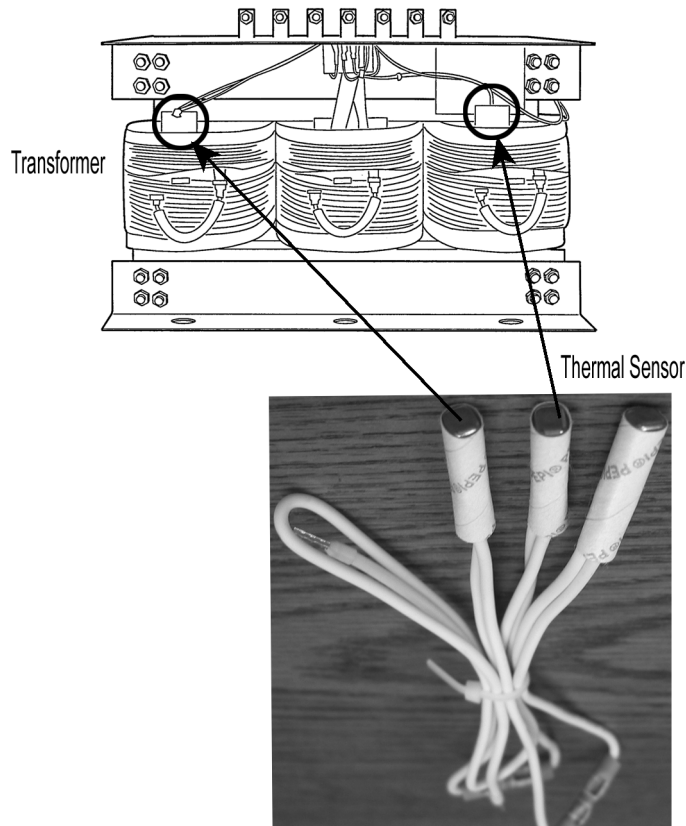
Emergency Field Excitation

09-7601D



VINTAGE Y 01				
REF. No.	PART No.	DESCRIPTION	DUTY	SYMBOL
1	RB362-302-01	Circuit, Emergency Field Excitation	013	A5
	RB362-302-02		014, 021	
	RB362-302-03		037	
	RB362-302-04		028	
2	613CB1	Relay		KFA, KFB

235DH Transformer



VINTAGE 01

DUTY NO.	PART NO.
1	235DH1
2	235DH5
3	235DH13
A03	235DH40
4	235DH1
5	235DH4
6	235DH6
7	235DH14
A07	235DH12
8	235DH2
9	235DH3
10	235DH11
A10	235DH38
11	235DH15
A11	235DH11
12	235DH18
13	235DH21
14	235DH24

DUTY NO.	PART NO.
15	235DH2
16	235DH7
A16	235DH37
17	235DH12
A17	235DH39
18	235DH16
A18	235DH34
B18	235DH41
19	235DH20
20	235DH22
21	235DH26
22	235DH8
A22	235DH37
23	235DH34
A23	235DH39
24	235DH17
A24	235DH42
25	235DH35

DUTY NO.	PART NO.
26	235DH23
27	235DH26
28	235DH33
29	235DH9
A29	235DH43
30	235DH10
A30	235DH44
31	235DH36
32	235DH25
33	235DH19
34	235DH28
35	235DH29
37	235DH31
38	235DH20
39	235DH27
40	235DH30
42	235DH32

Thermal Sensor

09-7601D



VINTAGE Y 01		
REF. No.	PART No.	DESCRIPTION
1	AAA739E1	Thermal Sensor, 165°C
	AAA739E2	Thermal Sensor, 180°C
	AAA739E3	Thermal Sensor, 200°C