

**Direct Drive
Louis-Allis®**

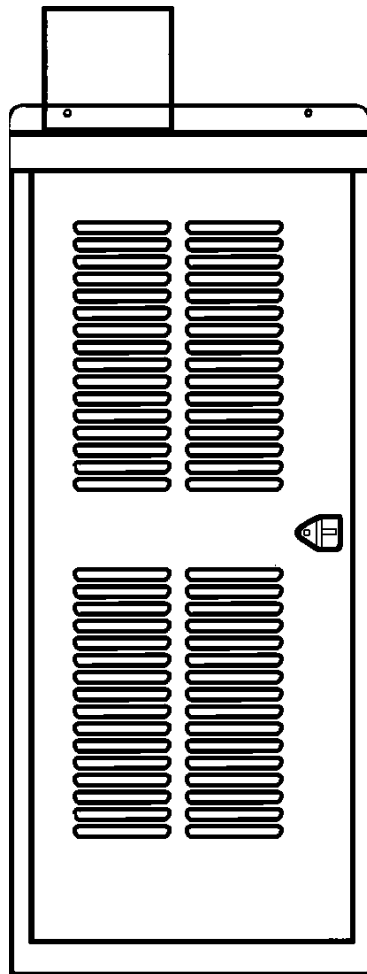
Spare Parts Leaflet

09-7601C

April 9, 2025 / Page 1 of 17

OBSOLESCENCE NOTICE

The product listed in this SPL is obsolete. Some components may still be available, but Otis recommends an upgrade (see TIP 32.2-1 for potential upgrade.)



09	7601C	
Y	VINTAGE	Y01
REV	EN	

Vintage tag mounted on inside of right side wall.



This document does not contain any technical data subject to EAR or ITAR

SERVICE ENGINEERING

Otis Elevator Company

Bloomfield, Connecticut USA

Unpublished Work—© Otis Elevator Co.; 2025

Leaflet Description

This SPL depicts and lists the LRUs (lowest replaceable unit) for the Louis Allis® direct drive.

Leaflet Revisions

Date Revised	Subject Matter Expert	Reason for Revision
May 1985	Jeff Costley, Technical Writer	New SPL
September 1997	---	Update
November 21, 2008	Sohaib Shaikh	Add new pages 17 and 18
October 2, 2013	Anh Pham	Updated part numbers throughout
April 9, 2025	Juan Murillo	Updated OBSOLESCENCE note on cover.

Related Drawings

Drawing No.	Title	Drawing No.	Title
7601C	Direct Drive Controller		

Related Documents

Document ID	Title

Subject Matter Expert

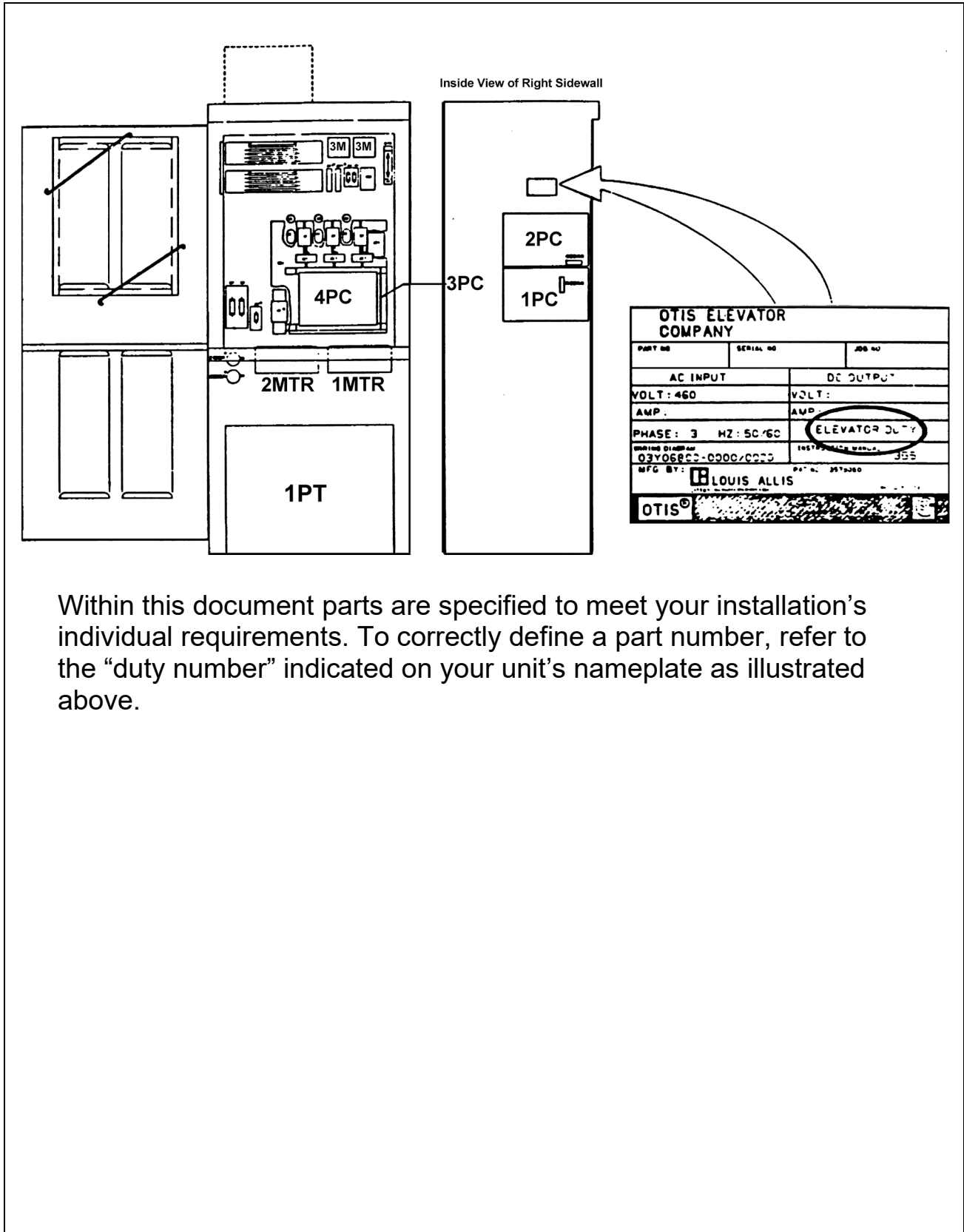
Name	Department
Anh Pham	OSC Electrical Engineering

About Spare Parts Leaflets...

This document lists the lowest replaceable units (LRUs) for the standard version of the product. The LRUs are chosen by a team of Otis associates representing engineering and manufacturing.

While goal of this document is to make parts identification as easy as possible, the document cannot be all-inclusive. Elevator and escalator contracts classified as “special” or “custom” are not addressed here. For such contracts, please refer to specified information, the contract folder, TIPS, Field Education Articles, Construction Letters, etc. for further information.

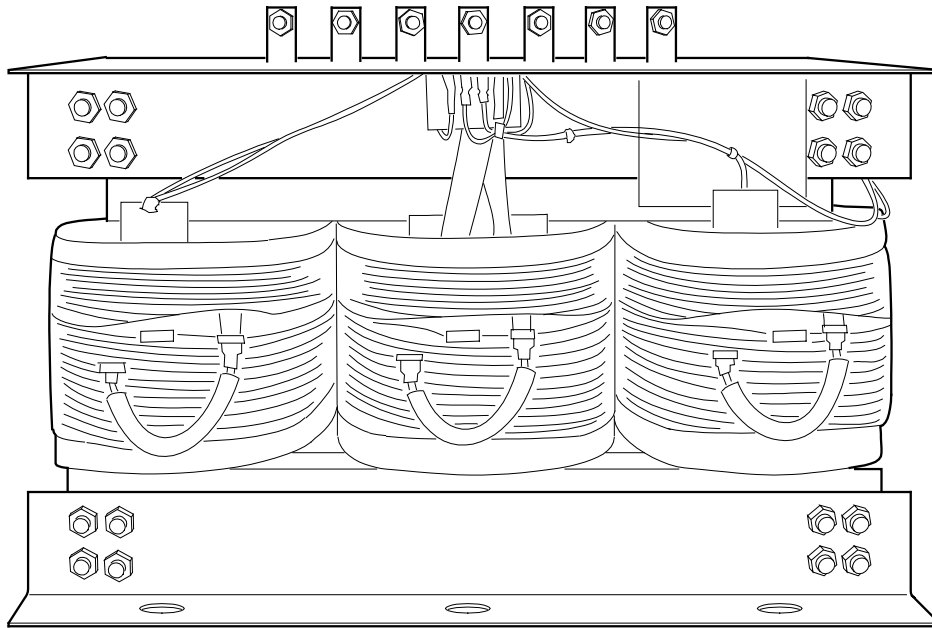
If you have any suggestions about this document, please contact the subject matter expert listed on this page.



Within this document parts are specified to meet your installation's individual requirements. To correctly define a part number, refer to the "duty number" indicated on your unit's nameplate as illustrated above.

09-7601C

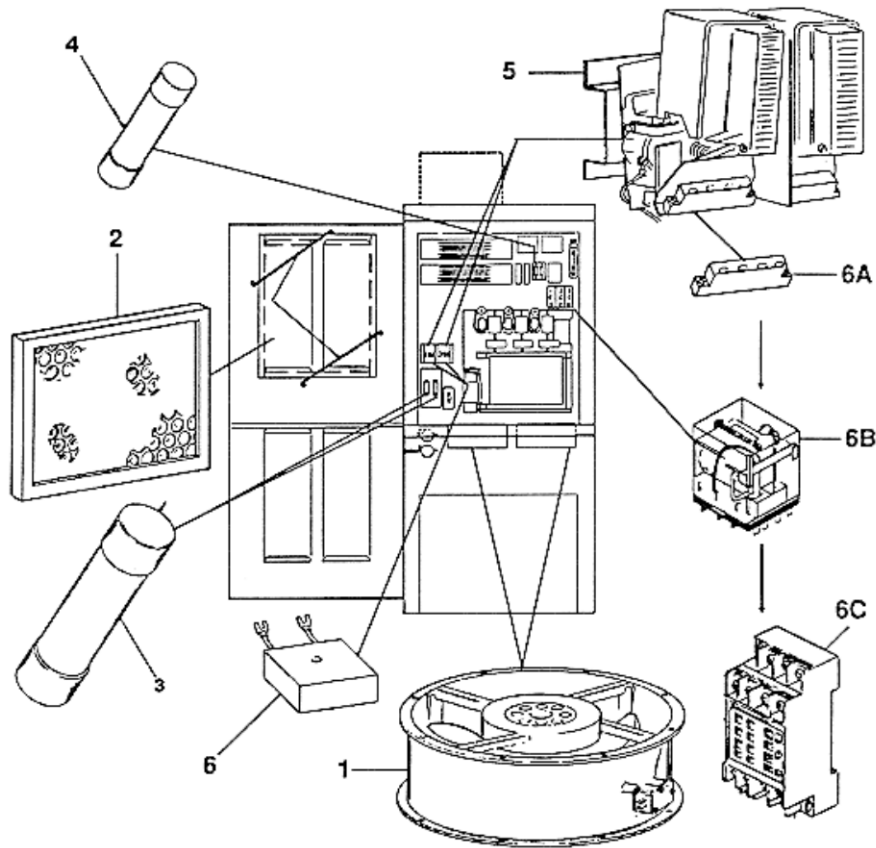
Transformer



VINTAGE Y01					
DUTY No.	PART No.	DUTY No.	PART No.	DUTY No.	PART No.
1	235DH1	15	235DH2	26	235DH23
2	235DH5	16	235DH7	27	235DH26
3	235DH13	A16	235DH37	28	235DH33
A03	235DH40	17	235DH12	29	235DH9
4	235DH1	A17	235DH39	A29	235DH43
5	235DH4	18	235DH16	30	235DH10
6	235DH6	A18	235DH34	A30	235DH44
7	235DH14	B18	235DH41	31	235DH36
A07	235DH12	19	235DH20	32	235DH25
8	235DH2	20	235DH22	33	235DH19
9	235DH3	21	235DH26	34	235DH28
10	235DH11	22	235DH8	35	235DH29
A10	235DH38	A22	235DH37	37	235DH31
11	235DH15	23	235DH34	38	235DH20
A11	235DH11	A23	235DH39	39	235DH27
12	235DH18	24	235DH17	40	235DH30
13	235DH21	24A	235DH42	42	235DH32
14	235DH24	25	235DH35	---	---

Fan, Filter, Contactor

09-7601C



VINTAGE Y01			
REF. No.	PART No.	DESCRIPTION	
1	LA5P16-0028	Fan	1 MTR, 2 MTR
2	LA5P15-0023 AAA737R2	Air Filter	
3	LA5P17-0019 AAA375BZ40	Fuse, 30A, 600 V	8F, 9F
4	LA5P17-0196 AAA375BW30	Fuse, 6A, 250 V	6F, 7F
5	LA5P31-0086	DC Contactor, 250 V, Detail SPL 10-7151A	1M, 2M
	7151AP3		
	SA14-193-770-572		
6	LA5P90-0059	RC Network	RC
	230BR1		
6A	477CY4 177CY2	Limit Switch	
6B	630F4 AAA613CZ7	Relay 240 VAC, 4PDT	2CR, 3CR, 4CR
6C	618AE1	Relay Socket	---

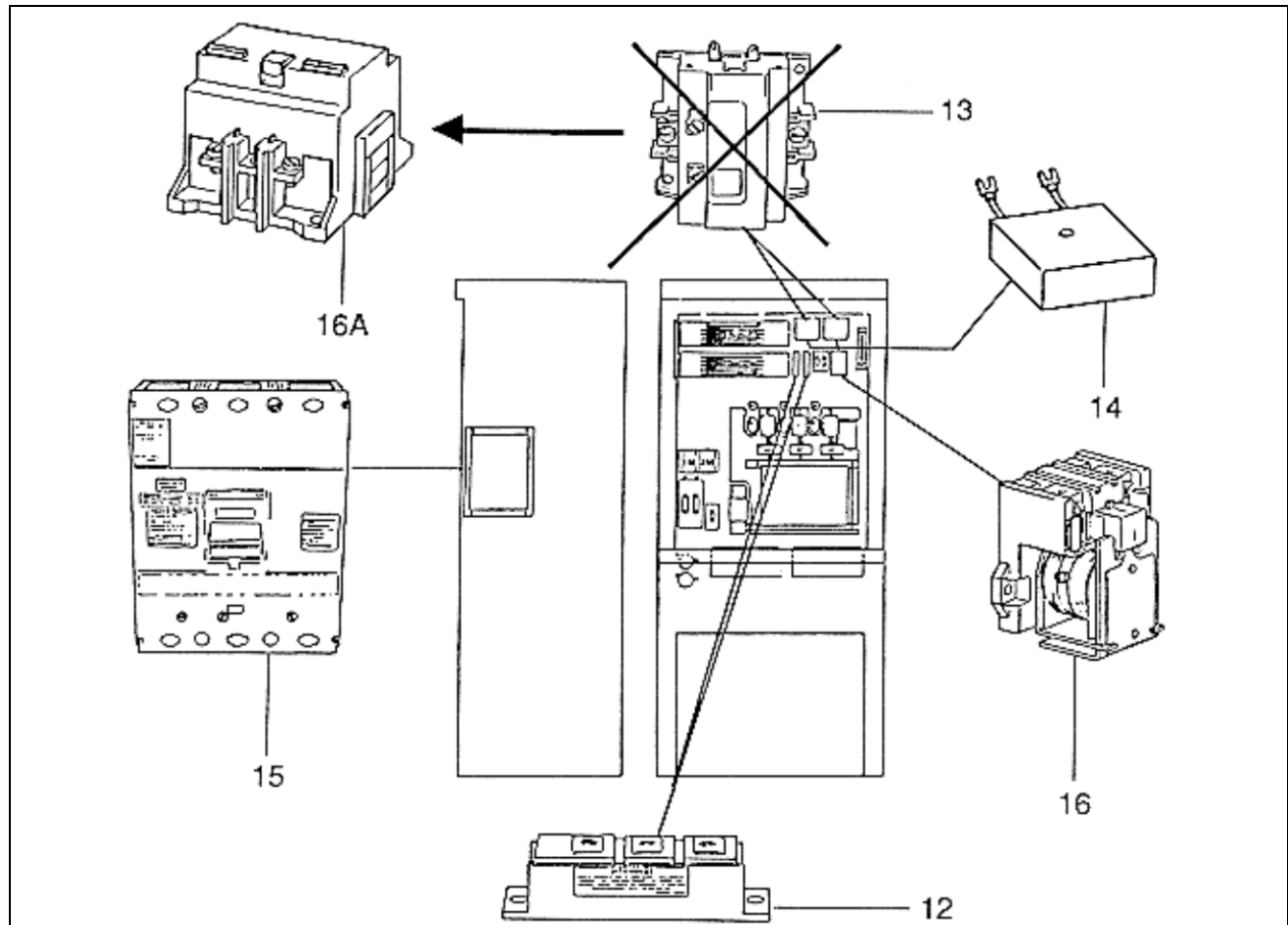


VINTAGE Y01

REF. No.	PART No.	DESCRIPTION	SYMBOL
7	LA5P41-0438	AC Line Snubber	1R, 2R, 3R
8	LA5P58-0685	Transformer	2PT
9	LA5P224-0058	Capacitor	1C, 2C, 3C
10	LA46S2439-0010	12 SCR Controller PCB	1PC
11	LA46S2440-0010	Elevator Controller PCB	2PC

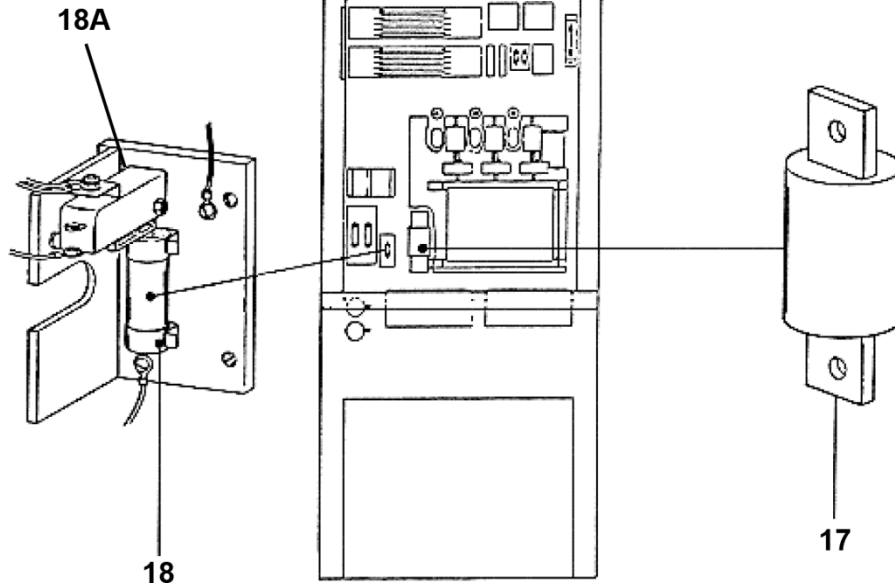
Field Contactor

09-7601C



VINTAGE Y01								
REF. No.	PART No.	DUTY					DESCRIPTION	SYMBOL
12	LA5P50-0271	13	14	20	21	26	Diode Assembly	1RT, 2RT
		27	28	37	42			
13	LA5P31-0089	13	14	20	21	26	Field Contactor	3M, 4M
		27	28	37	42			
14	LA5P90-0059	13	14	20	21	26	RC Network	3M, 4M
		27	28	37	42			
15	LA5P12-0302	28	35	36	37	38	Circuit Breaker	1CB
		40	41	42				
	LA5P12-0303	7	11	12	18	19		
		24	25	31	33			
16	LA5P205-0026	---					DC Relay	1CR
16A	613CA1	13	14	20	21	26	Switch, Motor	3M, 4M
		27	28	37	42		Field	

Fuses

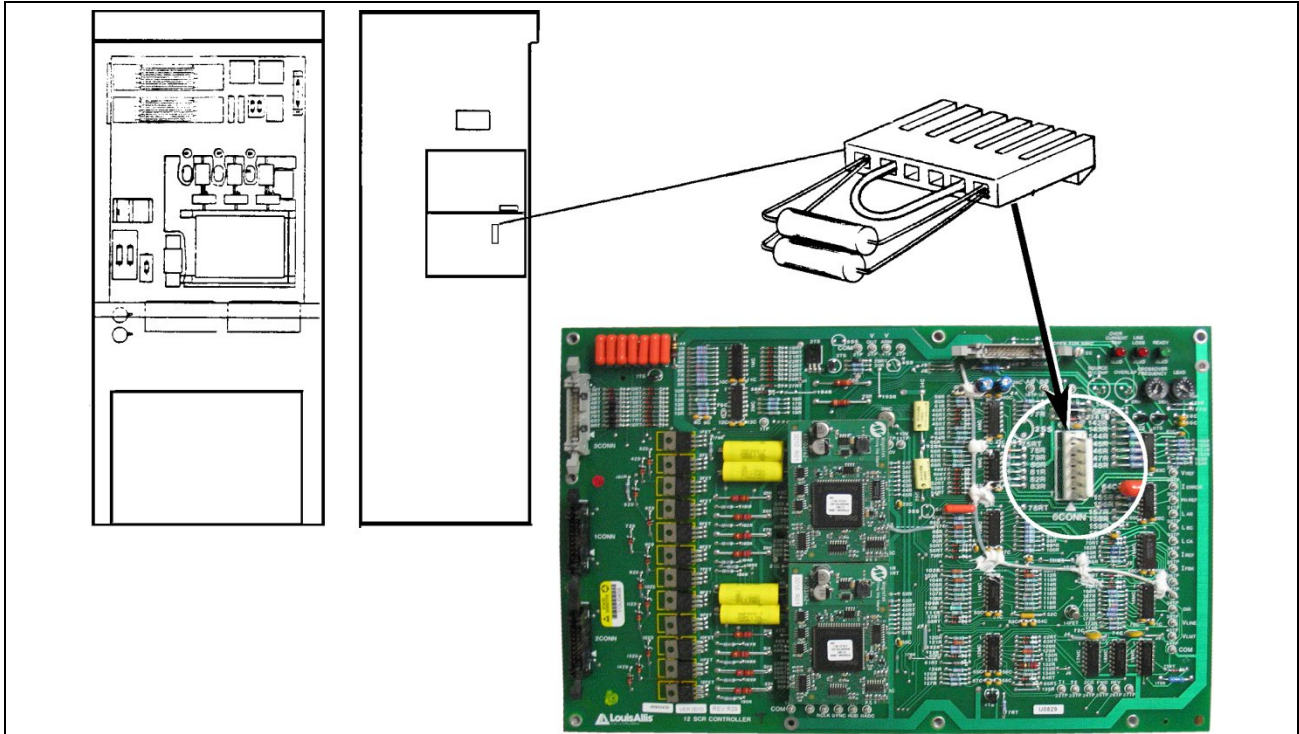


VINTAGE Y01

REF. No.	PART No.	DUTY					DESCRIPTION	SYMBOL		
17	LA5P17-0231 RBA50P250	1	2	10	16	A03	Fuse	F4		
	LA5P17-0232 RBA50P300	4	5	6	17	43				
		A07	A10	22	8	9				
		15	A11	A16	A17	A18				
	LA5P17-0233 AAA375CD7	29	30	A22	A23	A30			Fuse Indicator	F5
		13	14	20	B18	32				
	LA5P17-0234 AAA21255J122	34	A24	A29						
LA5P17-0235 AAA21255J123	21	26	27	39						
LA5P17-0236	3									
18	LA5P17-0223	1	2	4	5	6	Fuse Indicator	F5		
		8	9	10	15	16				
		17	43	A03	A07	A10				
		A11	A16	A17	A18	22				
		23	29	30	A22	A23				
	A30									
LA5P17-0237	32	34	39	A24	A29					
18A	LA5P19-0071	Switch, Micro, used with p/n LA5P17-0223								
	LA5P85-0021	Switch, Micro, used with p/n LA5P17-0237								

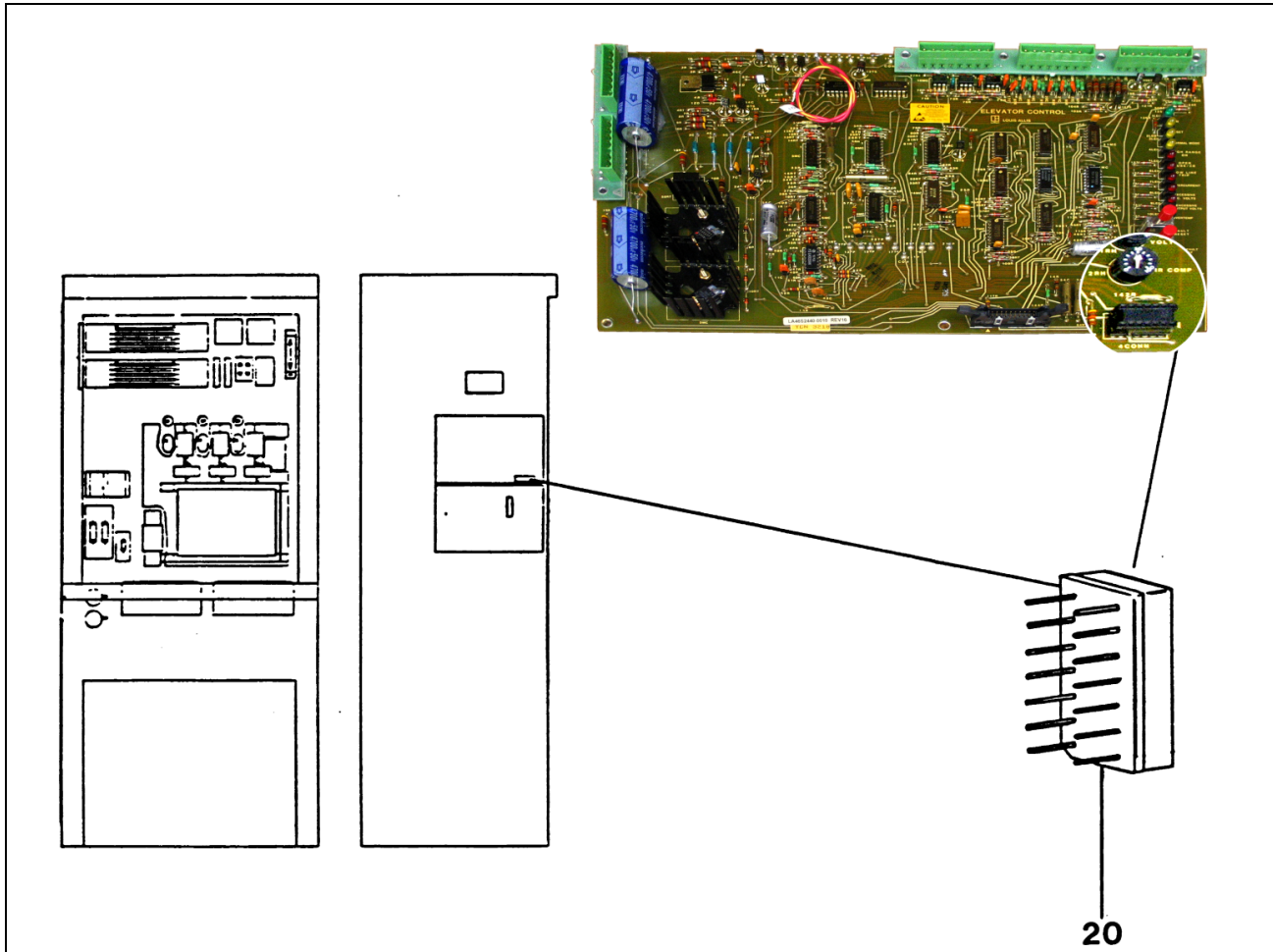
Connector (6 CONN)

09-7601C



VINTAGE Y01								
REF. No.	PART No.	DUTY					DESCRIPTION	SYMBOL
19	LA46S2455-0001	3					Connector	6 Conn
	LA46S2455-0002	7	31					
	LA46S2455-0003	11	12					
	LA46S2455-0004	33						
	LA46S2455-0005	18	19	38				
	LA46S2455-0006	24	25					
	LA46S2455-0007	1	43	A03				
	LA46S2455-0008	2	10					
	LA46S2455-0009	4	16	A07	B18			
	LA46S2455-0010	5	6	17	28			
	LA46S2455-0011	22	A24	A29				
	LA46S2455-0012	A10	A11	23				
	LA46S2455-0013	8	A16	32	A30			
	LA46S2455-0014	9	15	A17	29	A22		
	LA46S2455-0015	A18	A23					
	LA46S2455-0016	30						
	LA46S2455-0017	13	35	36				
	LA46S2455-0018	14	37	40				
	LA46S2455-0019	20	21	34	41			
	LA46S2455-0020	26	27	39	42			

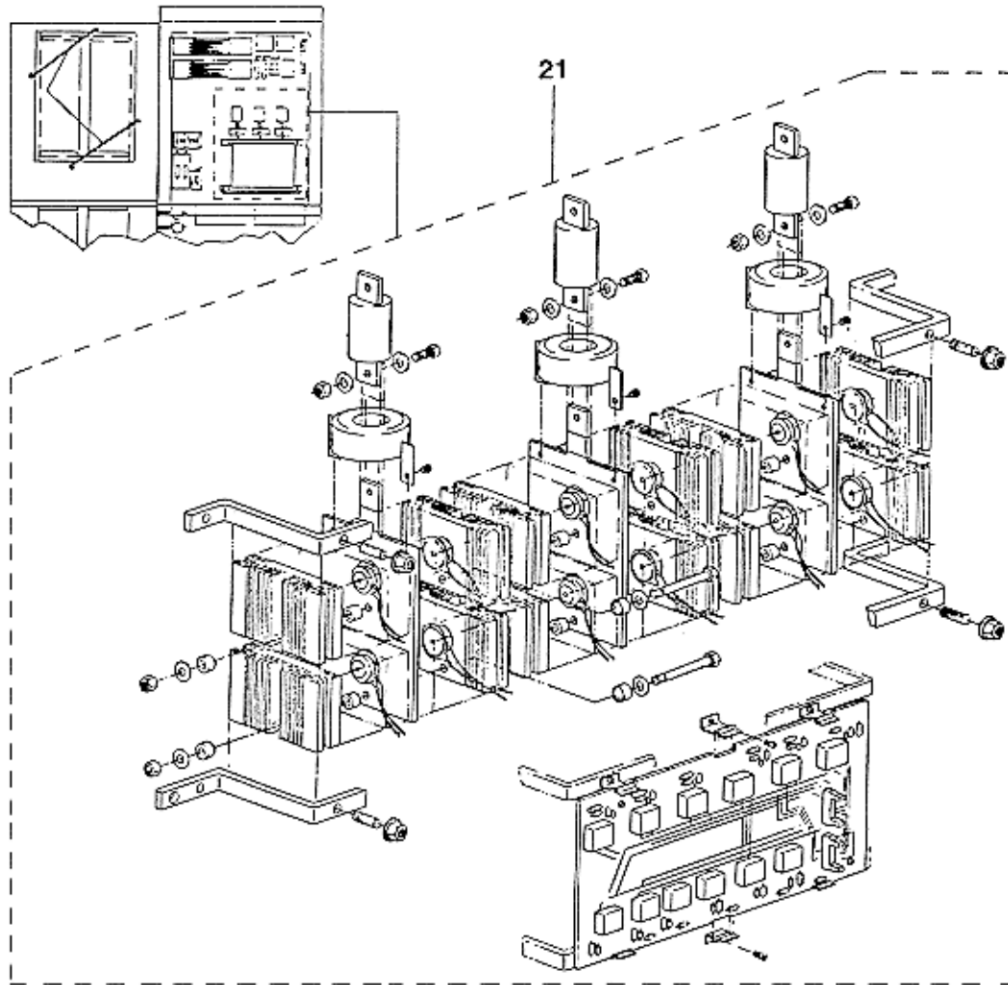
Connector (4 CONN)



VINTAGE Y01								
REF. No.	PART No.	DUTY					DESCRIPTION	SYMBOL
20	LA46S2460-0010	13	14	20	21	26	Compensation Plug	4 Conn
		27	28	29				
	LA46S2460-0020	25	42					
	LA46S2460-0030	A03	A07	A11	A18	36		
		37	41					
		2	3	6	7	10		
	LA46S2460-0040	11	17	18	43	A10		
		A17	B18	23	24	34		
		35	40	A23	A24			
	LA46S2460-0050	5	9	32	39	A22		
LA46S2460-0060	1	4	8	15	16			
	A16	22	30	31	33			
	38	A29	A30					

LA46S2438 Heat Sink Assembly

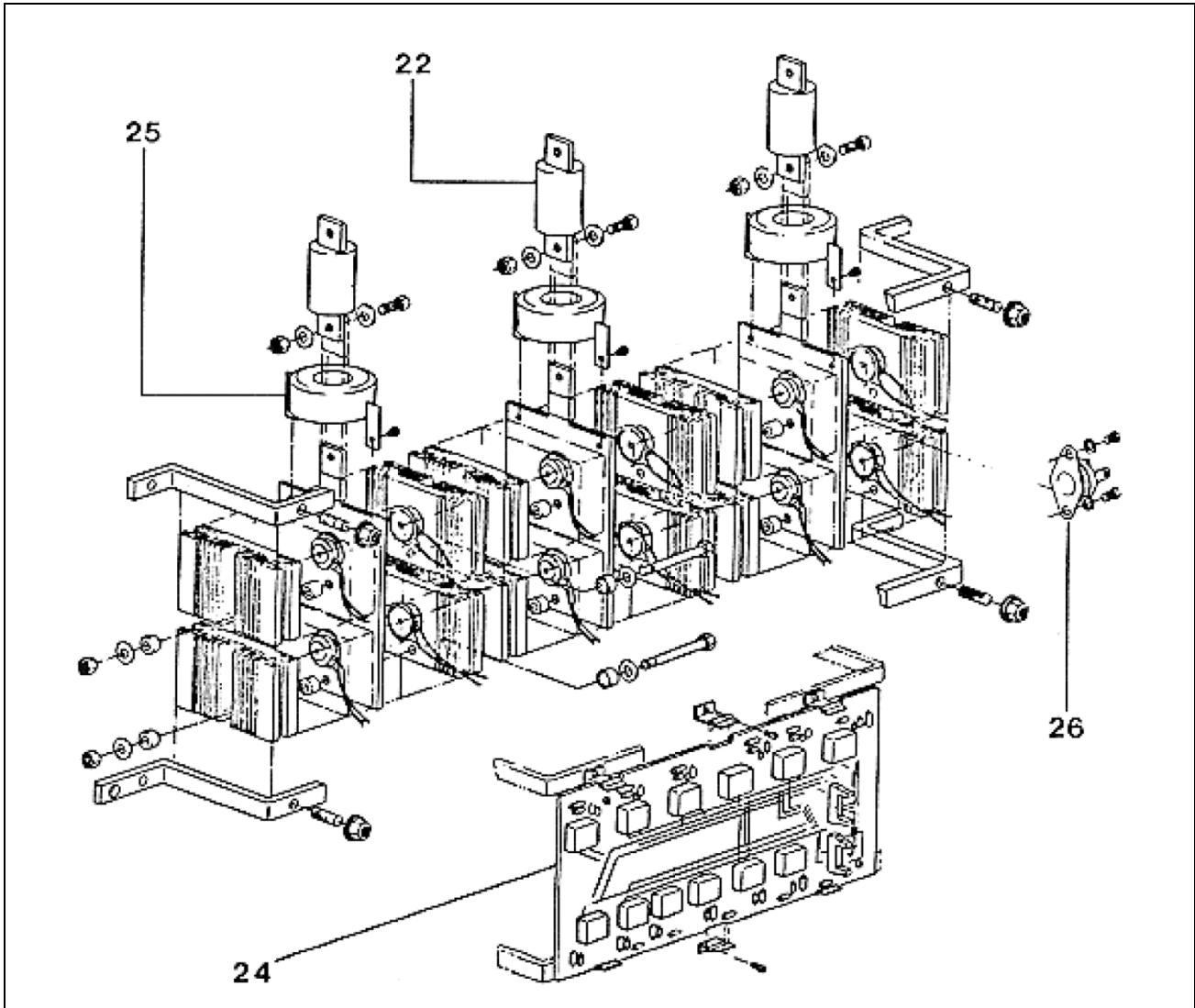
09-7601C



VINTAGE Y01

REF. No.	PART No.	DUTY					DESCRIPTION
21	LA46S2438-0010	1	2	4	5	6	Heat Sink Assembly
		16	22	A29			
	LA46S2438-0020	3	A03	10	11	17	
		18	43	A07	B18	24	
	LA46S2438-0030	12	19	25	31	33	
		38					
	LA46S2438-0040	8	9	A10	A16	A22	
		29	30	A30			
	LA46S2438-0050	13	14	20	A11	A17	
		A18	23	A23	A24	32	
	LA46S2438-0060	34	35	36	40	41	
	LA46S2438-0070	21	26	27	39		
		28	37	42			

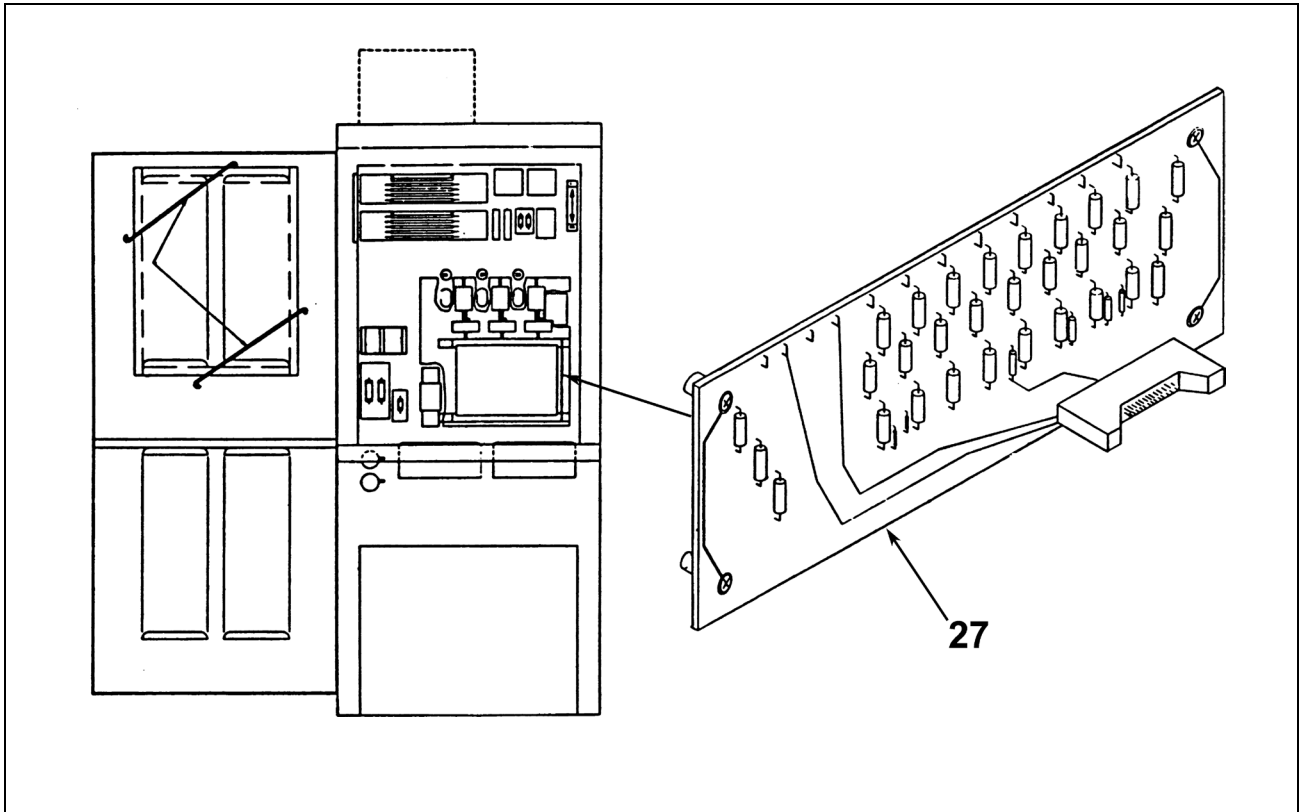
Heat Sink Assembly-Spares



VINTAGE Y01	REF. No.			
	22	24	25	26
HEAT SINK ASSEMBLY PART NO.	FUSE	GATE FIRING P.C.B.	TRANSFORMER	THERMOSTAT
LA46S2438-0010	LA5P17-0245	LA46S2441-0010	LA5P68-0066	LA5P218-0016
LA46S2438-0020	RB50P200			
LA46S2438-0030	LA5P17-0179 AAA375CD23			
LA46S2438-0040	LA5P17-0246 RB50P250			LA5P218-0020 LA5P218-0016
LA46S2438-0050	LA5P17-0233			LA5P218-0016
LA46S2438-0060	AAA375CD7			LA5P218-0019
LA46S2438-0070	LA5P17-0224 AAA375CD13			

Voltage Divider PC Board

09-7601C



VINTAGE 01

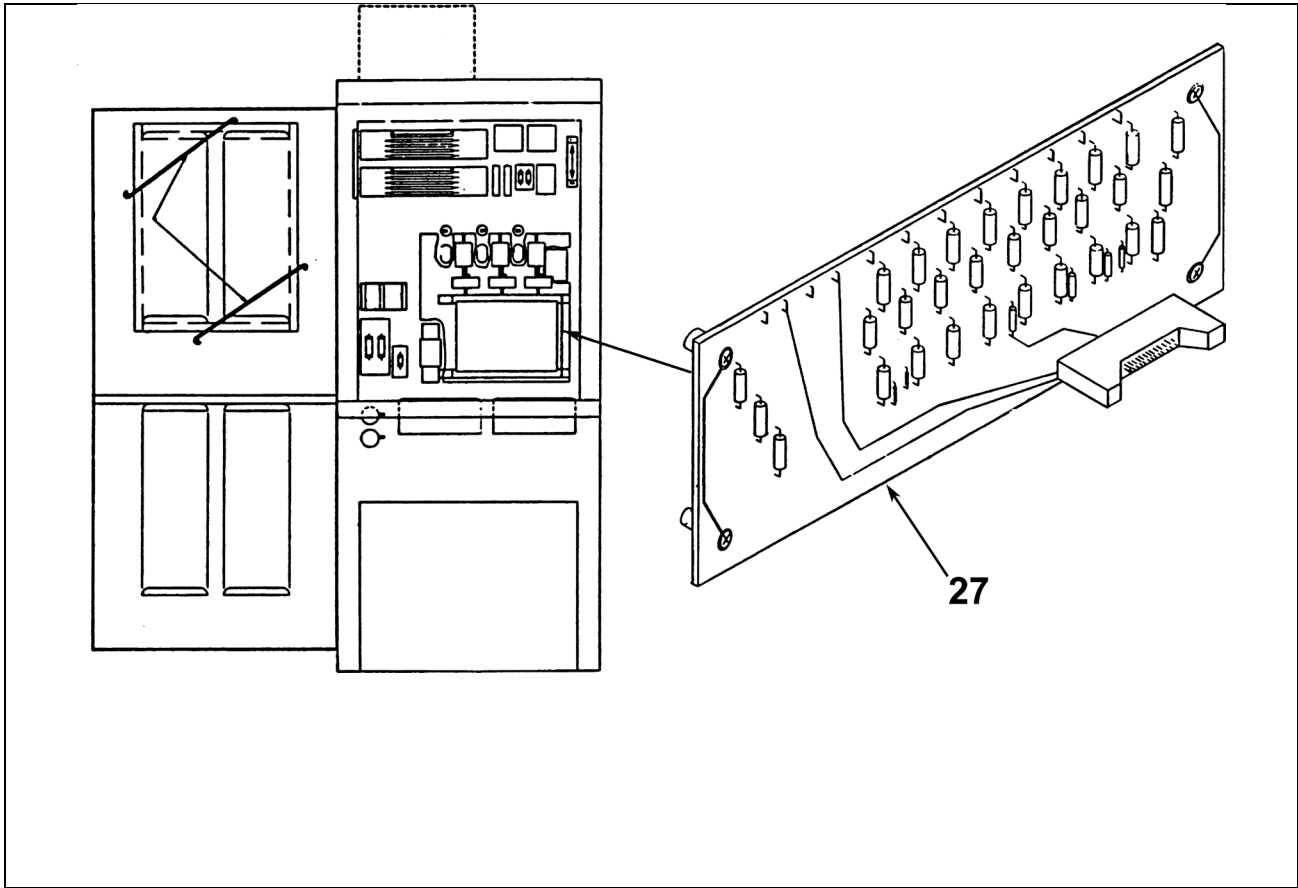
REF. No. 27 - VOLTAGE DIVIDER PRINTED CIRCUIT BOARD

DUTY NUMBER	PART NO. LA46S2442-	DUTY NUMBER	PART NO. LA46S2442-
1	-0010	A18	-0500
2	-0020	B18	-0510
3	-0030	22	-0220
4	-0040	23	-0230
5	-0050	24	-0240
6	-0060	25	-0250
7	-0070	26	-0260
8	-0080	27	-0270
9	-0090	28	-0280
10	-0100	29	-0290
11	-0110	30	-0300
12	-0120	31	-0310
13	-0130	32	-0320
14	-0140	33	-0330
15	-0150	34	-0340

Continued on next page.

09-7601C

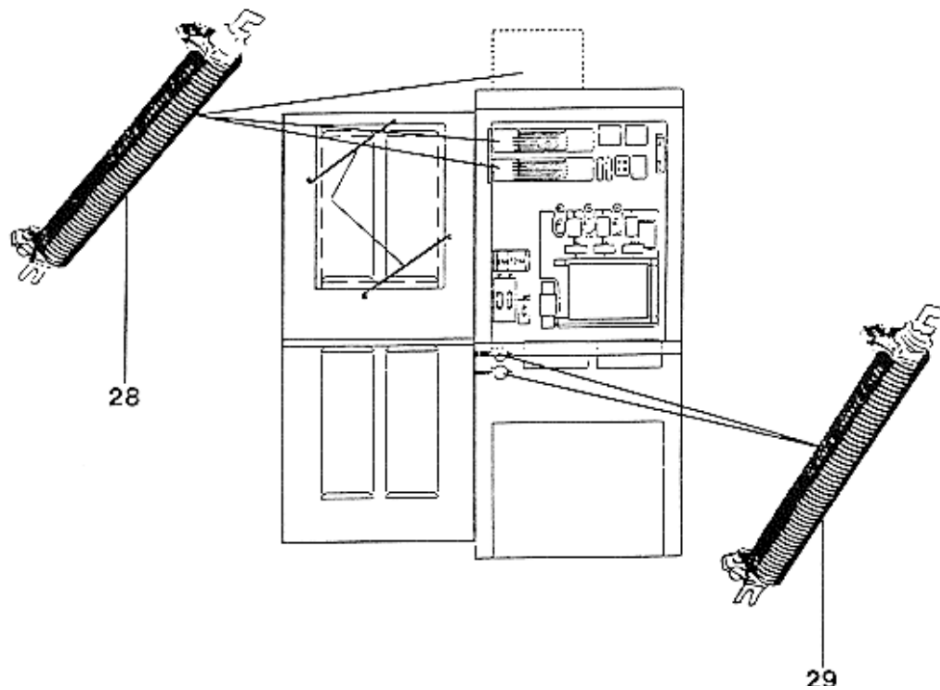
Voltage Divider PC Board



VINTAGE 01

REF. No. 27 - VOLTAGE DIVIDER PRINTED CIRCUIT BOARD

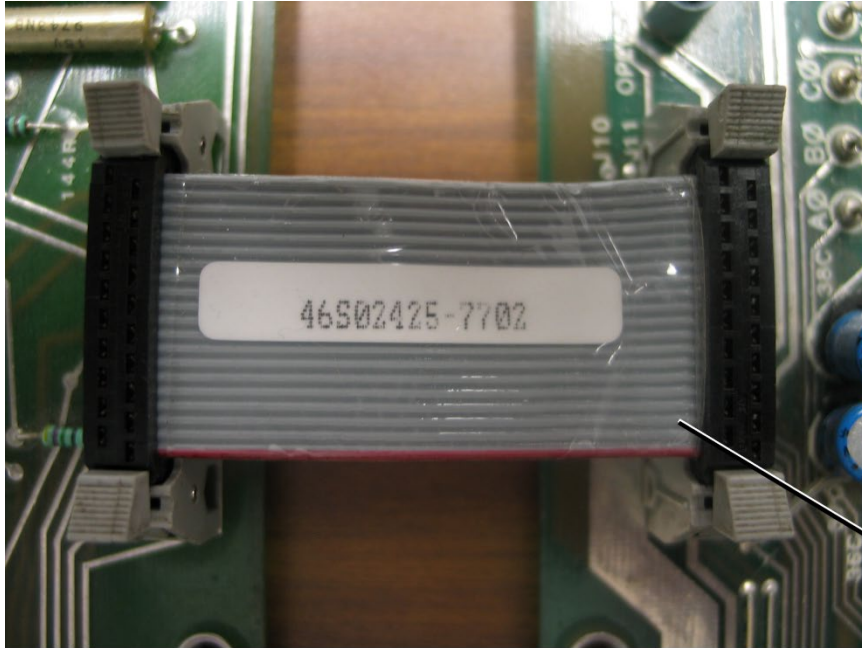
DUTY NUMBER	PART NO. LA46S2442-	DUTY NUMBER	PART NO. LA46S2442-
16	-0160	35	-0350
17	-0170	36	-0360
18	-0180	37	-0370
19	-0190	38	-0380
20	-0200	39	-0390
21	-0210	40	-0400
43	-0430	41	-0410
A03	-0440	42	-0420
A07	-0450	A22	-0520
A10	-0460	A23	-0530
A11	-0470	A24	-0540
A17	-0490	A29	-0550
A16	-0480	A30	-0560



VINTAGE Y01

REF. No.	PART No.	DUTY					DESCRIPTION	SYMBOL
28	LA5P41-0485	25					Resistors	1-16DBR
	LA5P41-0488 AAA617R3	1	3	4	7	8		
		9	11	12	13	14		
		15	18	24	29	33		
		37	42					
	LA5P41-0489	31	38					
	LA5P41-0499	A10	A11	A17	A18	A23		
		A30						
	LA5P41-0500 AAA617R2	5	6	10	16	17		
		19	20	21	22	23		
		26	27	30	32	35		
		36	40	43				
	LA5P41-0501	2	3	39	41	A03		
		A07	A16	B18	A22	A24		
		A29						
LA5P41-0503	28							
29	LA5P41-0488 AAA617R3	37	42				Resistors	21-24DBR
		LA5P41-0489	13	14	20	21		
	27		28					

Ribbon Cable

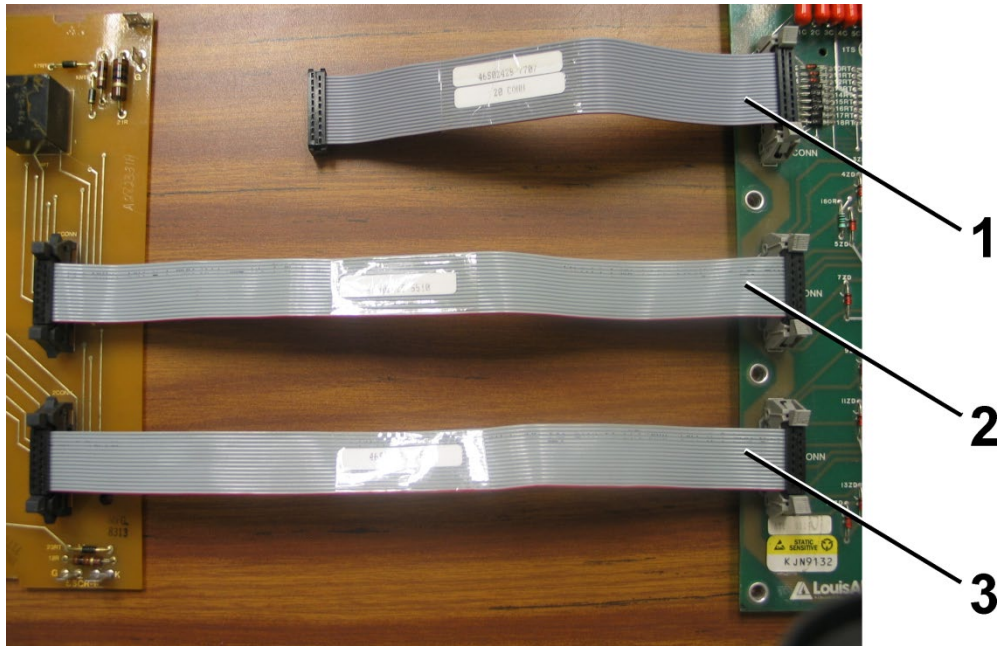


1

VINTAGE Y01			
REF. No.	PART No.	DESCRIPTION	LENGTH
1	LA46S2425-7702	20 pin conductor, connected between LA46S2440-00XX (Elevator Control Board) 5CONN and LA46S2439-00XX (12 SCR Control Board) 5CONN	2 inches

12 SCR Control PCB Ribbon Cables

09-7601C



VINTAGE Y01			
REF. No.	PART No.	DESCRIPTION	LENGTH
1	LA46S2425-7707	20 pin conductor, connected between LA46S2439-00XX (12 SCR Control Board) 3CONN and LA46S2242-XXXX (Voltage Divider Board) 3CONN	7 inches
2	LA46S2425-5510	16 pin conductor, connected between LA46S2439-00XX (12SCR Control Board) 1CONN and LA46S2241-00XX (12SCR Gate Firing Board) 1CONN	10 inches
3	LA46S2425-5510	16 pin conductor, connected between LA46S2439-00XX (12SCR Control Board) 2CONN and LA46S2241-00XX (12SCR Gate Firing Board) 2CONN	7 inches