

Leaflet Description

This leaflet provides spare parts information for type T..20236G disc brake. This brake is a Dual Solenoid one designed especially for the Gen2 5T machine roomless elevator system to be installed in NAA/ANSI markets.

Leaflet Revisions

Date Revised	Subject Matter Expert	Reason for Revision
November 2010	J. A. Illan	Added CARLISLE arrangement for NGHR1 CARLISLE replacements only
April 9, 2025	Juan Murillo	Updated OBSOLESCENCE note on cover.

Related Drawings

Drawing No.	Title	Drawing No.	Title
TCA20236G	Brake		

Related Documents

Document ID	Title
TAA26BBA	Brake Characteristics
P-FR-MEC-0180	Sensor Retrofit Procedure

Subject Matter Expert

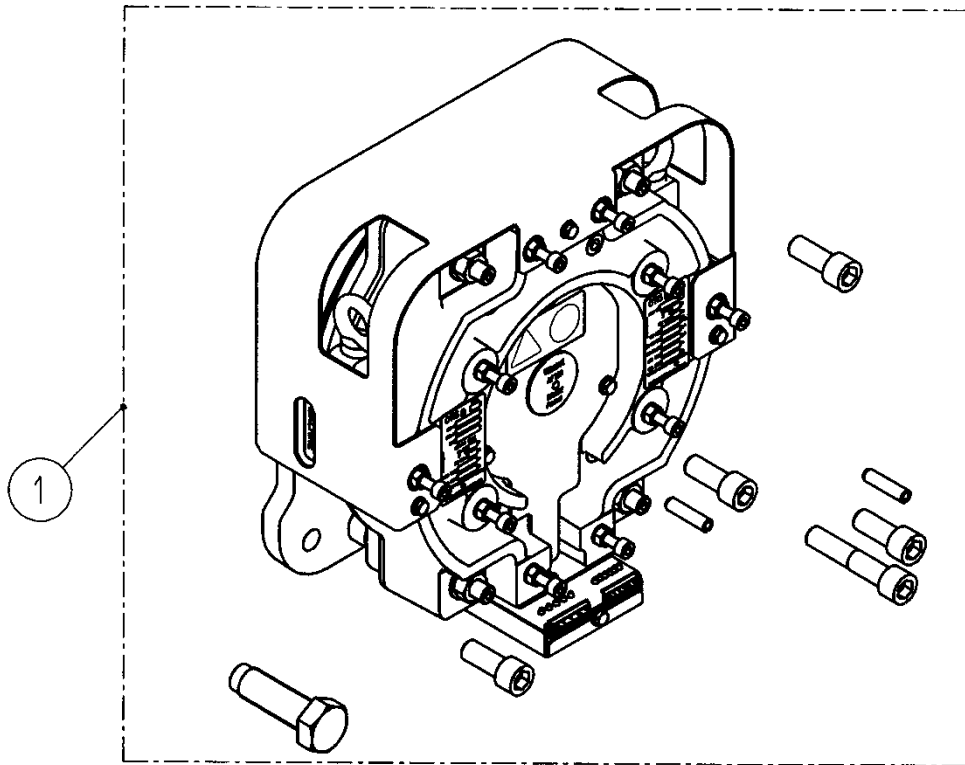
Name	Department
Juan Murillo	OSC Service Engineering

About Spare Parts Leaflets...

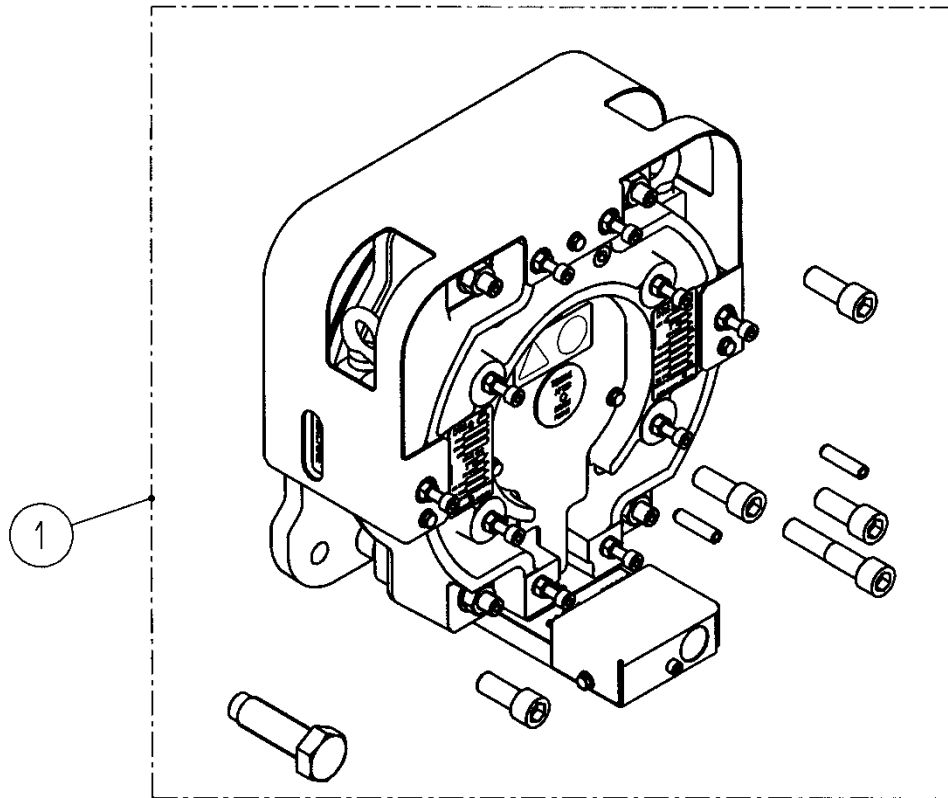
This document lists the lowest replaceable units (LRUs) for the standard version of the product. The LRUs are chosen by a team of Otis associates representing engineering and manufacturing.

While goal of this document is to make parts identification as easy as possible, the document cannot be all-inclusive. Elevator and escalator contracts classified as “special” or “custom” are not addressed here. For such contracts, please refer to specified information, the contract folder, TIPs, Field Education Articles, Construction Letters, etc. for further information.

If you have any suggestions about this document, please contact the subject matter expert listed on this page.

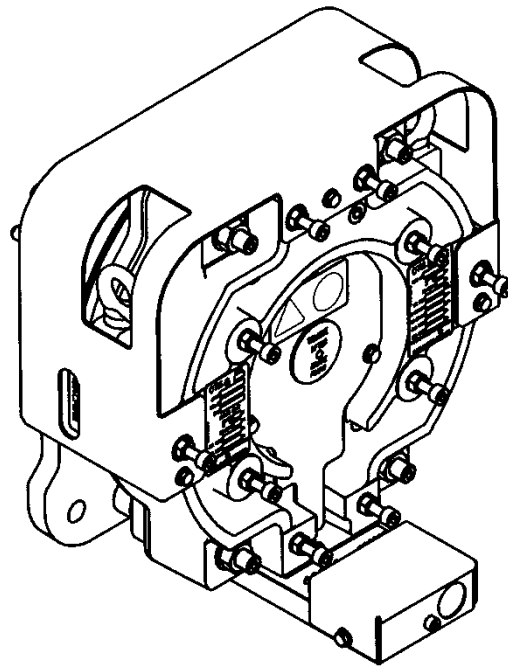


T..20236G		(*) Arrangement for "EN" Application					
REF. No.	DUTY LOAD (Kg)	SPEED (m/s)	ASSEMBLY	VOLTAGE (V)	LINING	JUNCTION BOX	REPLACED WITH
1	2268	≤ 1.78	T..20236G1	27	TRIMAT	WITHOUT	TCA20236G101 + TAA27076GA1 + TAA27076GA2
	1815	≤ 2.03					
	1600 NGHR1	≤ 2.54	T..20236G4				TCA20236G104 + TAA27076GA1 + TAA27076GA2
	1360 NGHR1						
	1600	≤ 1.78	T..20236G2				TCA20236G102 + TAA27076GA1 + TAA27076GA2
	1360	≤ 1.78	T..20236G3 T..20236G103				TCA20236G102 + TAA27076GA1 + TAA27076GA2
	2268	≤ 2.03	T..20236G101		CARLISLE		TCA20236G101 + TAA27076GA1 + TAA27076GA2
	1815						
	1600	≤ 1.78	T..20236G102		CARLISLE		TCA20236G102 + TAA27076GA1 + TAA27076GA2
	1360						
	2500	≤ 1.75	T..20236G21		TRIMAT		TCA20236G21* + TAA27076GA1 + TAA27076GA2
	1600 NGHR1	≤ 2.54	T..20236G104		CARLISLE		TCA20236G104 + TAA27076GA1 + TAA27076GA2
1360 NGHR1							



T..20236G

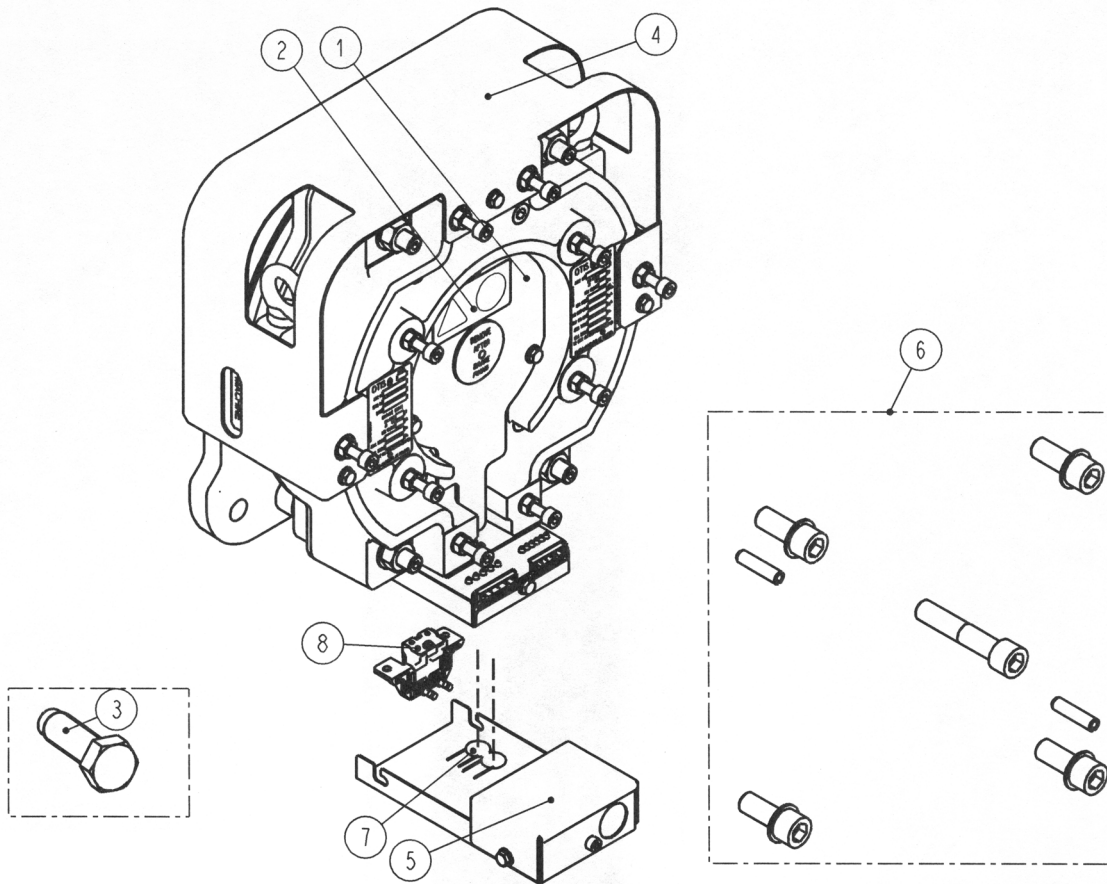
REF. No.	DUTY LOAD (Kg)	SPEED (m/s)	ASSEMBLY	VOLTAGE (V)	LINING	JUNCTION BOX	REPLACED WITH
1	2268	≤ 1.78	T..20236G11	27	TRIMAT	WITH	TCA20236G111 + TAA27076GA1 + TAA27076GA2
	1815	≤ 2.03					
	1600 NGHR1	≤ 2.54	T..20236G14				TCA20236G112 + TAA27076GA1 + TAA27076GA2
	1360 NGHR1						
	1600	≤ 1.78	T..20236G12				TCA20236G112 + TAA27076GA1 + TAA27076GA2
	1360	≤ 1.78	T..20236G13 T..20236G113				TCA20236G112 + TAA27076GA1 + TAA27076GA2
	2268	≤ 2.03	T..20236G111		CARLISLE		TCA20236G111 + TAA27076GA1 + TAA27076GA2
	1815						
	1600	≤ 1.78	T..20236G112				TCA20236G112 + TAA27076GA1 + TAA27076GA2
	1360						
	1600 NGHR1	≤ 2.54	T..20236G114				TCA20236G114 + TAA27076GA1 + TAA27076GA2
	1360 NGHR1						



BRAKE NAMING EVOLUTION

NAMING APRIL 2009	APPLICATION	NAMING ON APRIL 2005	NAMING ON FEBRUARY 2005	NAMING ON JUNE 2003
TCA20236G1 TCA20236G11	2268 kg	TBA20236G1 TBA20236G11	TAB20236G101 TAB20236G111	TAA20236G1 TAA20236G11
	1815 kg			
	1600 kg NGHR1			
	1360 kg NGHR1			
TCA20236G2 TCA20236G12	1600 kg	TBA20236G2 TBA20236G12	TAB20236G102 TAB20236G112	TAA20236G2 TAA20236G12
TCA20236G3 TCA20236G13	1360 kg	TBA20236G3 TBA20236G13	TAB20236G103 TAB20236G113	TAA20236G3 TAA20236G13
TCA20236G101 TCA20236G111	2268 kg	TBA20236G101 TBA20236G111	NONE	NONE
	1815 kg			
	1600 kg NGHR1			
	1360 kg NGHR1			
TCA20236G102 TCA20236G112	1600 kg	TBA20236G102 TBA20236G112	NONE	NONE
	1360 kg			
TCA20236G21	2500 kg	NONE	NONE	NONE

TCA20236G1-G2-G3-G21-G101-G102: These brakes do not have the junction box.



T..20236G			
REF. No.	PART No.	W →	DESCRIPTION
1	TAA346NM1	T..20236G... all	Cover
	(3) TAA124BF2		Screw
2	TAA102GW1	T..20236G... all	Label
3	TAA27076GA2	T..20236G... all	(1) Screw TAA124EK1 (for removing the brake)
4	TAA384JX1	T..20236G... all	Guard
	(3) TAA124BF2		Screw
5	TAA309BD1	T..20236G11-12-13-14-111-112-114	Junction Box
6	TAA27076GA1	T..20236G... all	Hardware kit for assembling the brake on the machine. Consists of: (2) Pins ISO8752-10x40 (4) Washers TAA130AT4 (4) Screws ISO4762 M16x50-8.8 (1) Screw ISO4762 M16x80-10.9 (1) Washer DIN796 M16
7	(2) TO232BA15	T..20236G... all	Varistor
8	TAA27076VB1	T..20236G... all	Assembly Sensors