

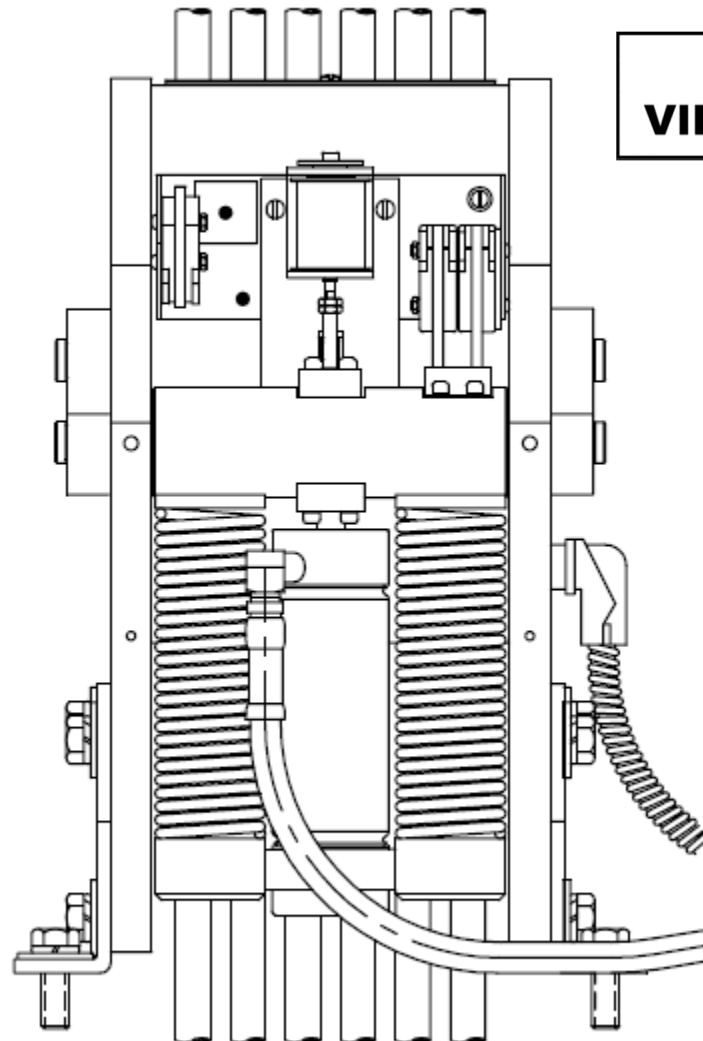
**ROPE GRIPPER
ASSEMBLY**

夹绳器装配

Spare Parts Leaflet

07-AAA24120BH

10/08/2014 / Page 1 of 6



**W/O
VINTAGE**

OTIS

SERVICE ENGINEERING
Otis Elevator Company
HRSIT, Shanghai China

Unpublished Work—© Otis Elevator Co.; 2014

Leaflet Description

This leaflet provides information for rope gripper applied in Skyrise elevator. This rope gripper is manufactured by Hollister Whitney. Product type is 626-SPL.

Leaflet Revisions

Date Revised	Subject Matter Expert	Reason for Revision
October 8, 2014	Ke Fu	New SPL

Related Drawings

Drawing No.	Title	Drawing No.	Title
AAA24120BH	ROPE GRIPPER 626-SPL		

Related Documents

Document ID	Title

Subject Matter Expert

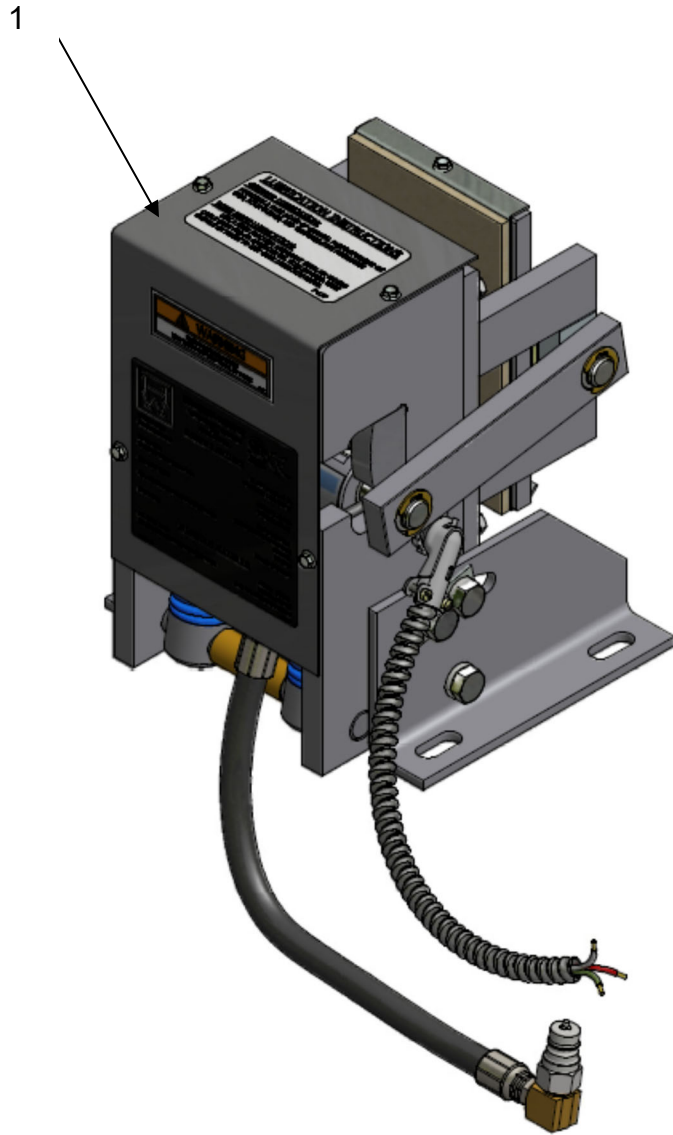
Name	Department
Troy Chicoine	OSC Service Engineer

About Spare Parts Leaflets...

This document lists the lowest replaceable units (LRUs) for the standard version of the product. The LRUs are chosen by a team of Otis associates representing engineering and manufacturing.

While goal of this document is to make parts identification as easy as possible, the document cannot be all-inclusive. Elevator and escalator contracts classified as “special” or “custom” are not addressed here. For such contracts, please refer to specified information, the contract folder, TIPs, Field Education Articles, Construction Letters, etc. for further information.

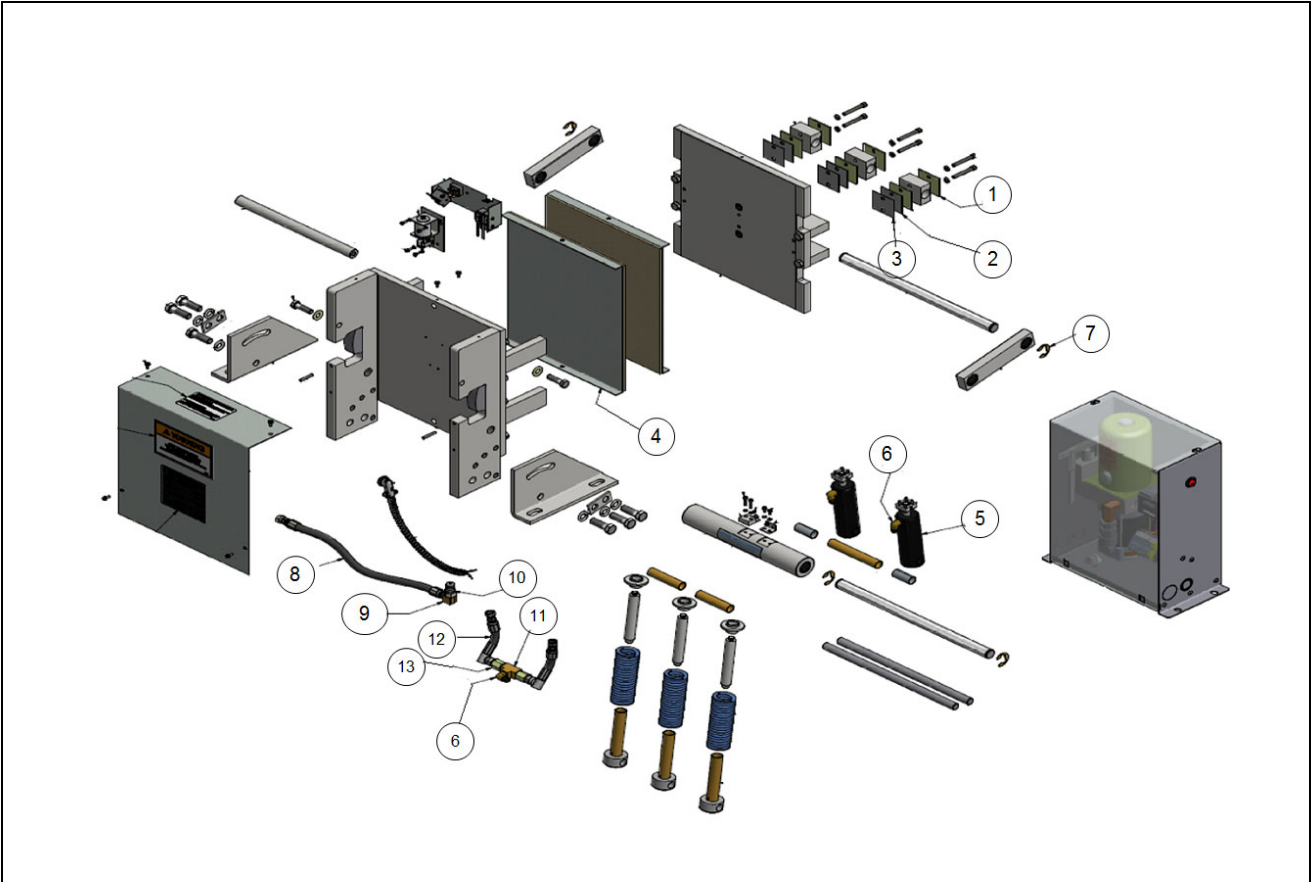
If you have any suggestions about this document, please contact the subject matter expert listed on this page.



REF. No.	W/O VINTAGE PART No.	DESCRIPTION
1	AAA24120BH1	Rope Gripper Assembly (RopeDia=16mm/17.5mm/18mm)

ROPE GRIPPER ASSEMBLY

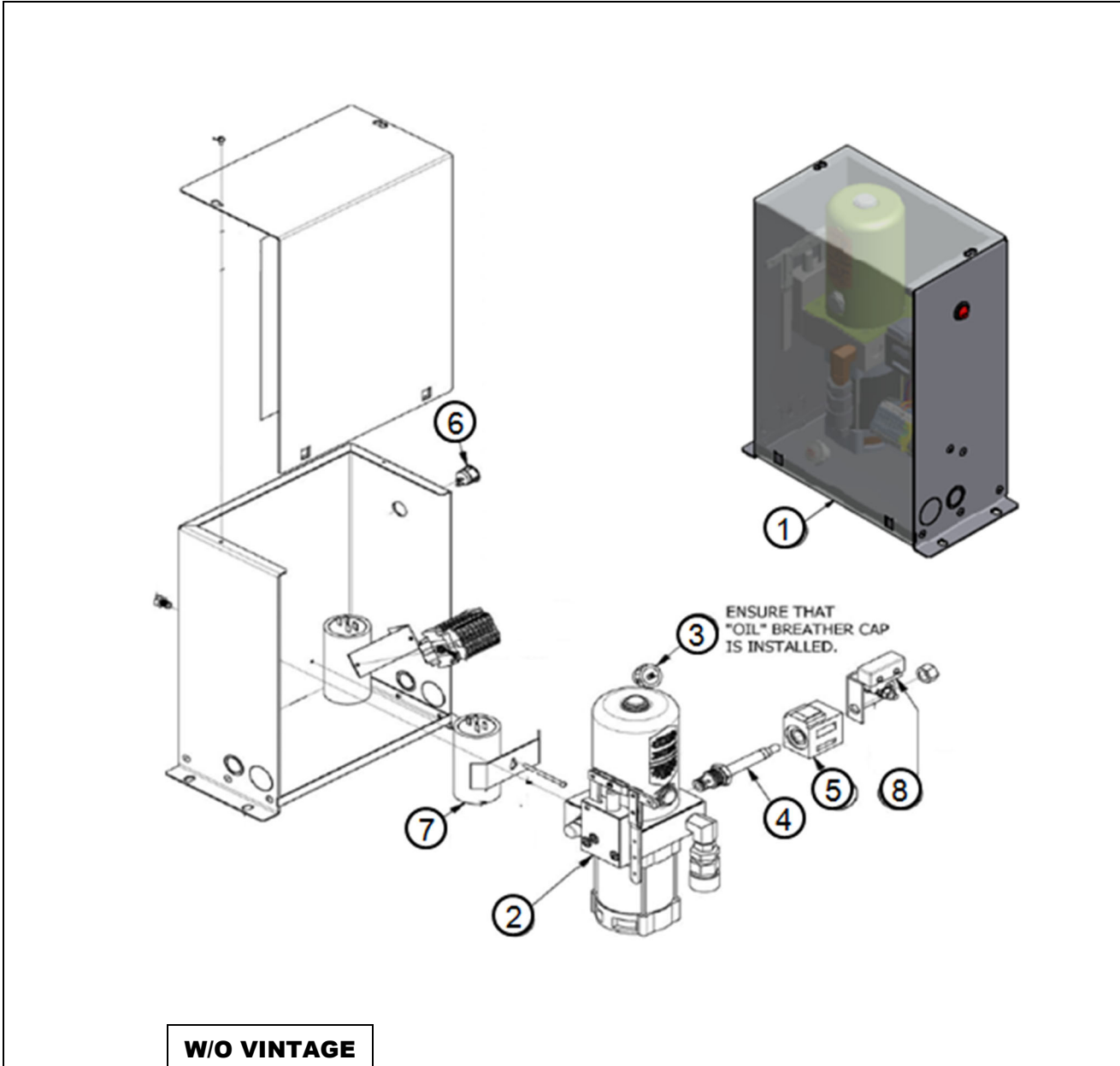
14-AAA24120BH



W/O VINTAGE		
REF. No.	PART No.	DESCRIPTION
1	AAA24120BH10	Spacer(3.2mm)
2	AAA24120BH11	Spacer(1.6mm)
3	AAA24120BH12	Spacer(0.7mm)
4	AAA24120BH13	Lining Assembly
5	AAA24120BH14	Hydraulic Cylinder
6	AAA24120BH15	Male Elbow
7	AAA24120BH16	E-CLIP
8	AAA24120BH17	Hose-Cylinder To Pumping Unit
9	AAA24120BH18	Street Elbow -90 °
10	AAA24120BH19	Coupling,Quick Connect
11	AAA24120BH20	3/8NPT Tee
12	AAA24120BH21	Hose Assembly For 2 Cylinders
13	AAA24120BH22	3/8 Npt Extension

PUMPING UNIT

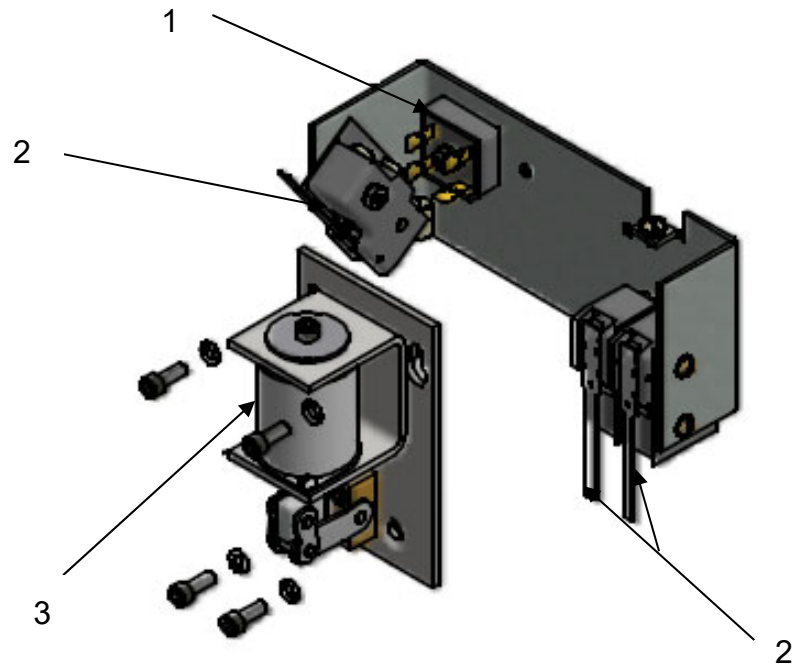
07-AAA24120BH



W/O VINTAGE		
REF. No.	PART No.	DESCRIPTION
1	AAA24120BH23	Pumping Unit
2	AAA24120BH24	Assembly, GYG Pump And Oil Reservoir
3	AAA24120BH25	Cap, Oil Reservoir Breather
4	AAA24120BH26	Valve
5	AAA24120BH27	Coil, Dump Valve
6	AAA24120BH28	Switch Maint On-Off
7	AAA24120BH29	Capacitor
8	AAA24120BH30	Microswitch

MICROSWITCH ASSEMBLY

07-AAA24120BH



Note: Microswitch assembly install location please refer to page 4

W/O VINTAGE		
REF. No.	PART No.	DESCRIPTION
1	AAA24120BH31	Rectifier
2	AAA24120BH30	Microswitch
3	AAA24120BH32	Coil