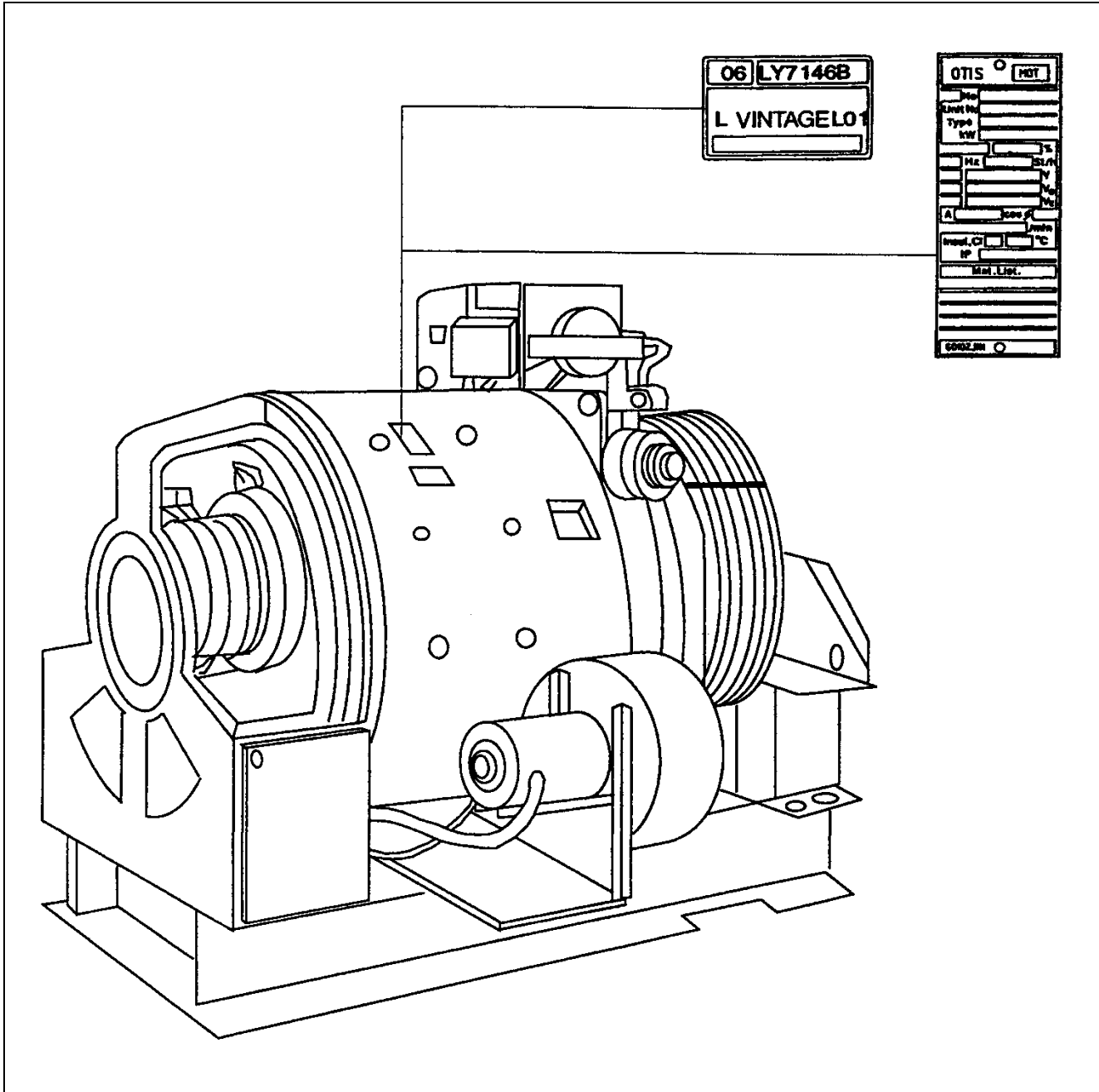


**Machine Gearless DC
139 HT
Liverpool**

Spare Parts Leaflet

06-LY7146B

June 21, 2023 / Page 1 of 9



OTIS

This document does not contain any technical data subject to EAR or ITAR

**SERVICE ENGINEERING
Otis Elevator Company
Bloomfield, Connecticut USA**

Unpublished Work—© Otis Elevator Co.; 2023

Leaflet Description

This leaflet provides spare parts information for 139 HT Gearless DC Machines. The 139HT gearless machine was manufactured in four different locations. Check vintage data plate on the machine to identify the location of origin.

Leaflet Revisions

Date Revised	Subject Matter Expert	Reason for Revision
July 1994	---	New SPL
February 3, 2009	Val Sheynkman	Corrected SPL reference on p. 8.
June 26, 2009	Val Sheynkman	Corrected part number in ref. 1 on p. 4
January 18, 2012	Val Sheynkman	Updated parts information in ref. 1 on p. 3
July 31, 2019	Gary Mendrala	Added brake cores
May 19, 2021	Gary Mendrala	Added vintage info; Updated sheave description
June 21, 2023	Gary Mendrala	Added p/n AAA251BT5 on p. 7

Related Drawings

Drawing No.	Title	Drawing No.	Title
---	--		

Related Documents

Document ID	Title
SPL 06-HT200750-1	Primary Velocity Transducer
SPL 06-7119AB	Encoder, Speed on Machine Shaft Encoder
SPL 06-7146B	139HT Gearless Machine Yonkers Manufacture
SPL 06-AAA7146E	139HT Gearless Machine Bloomington Manufacture
SPL 06-ALY7146B	139HT Gearless Machine China Manufacture
TIP 6.0-1	Brake Relining
TIP 6.0-16	Brake Switch Kit

Subject Matter Expert

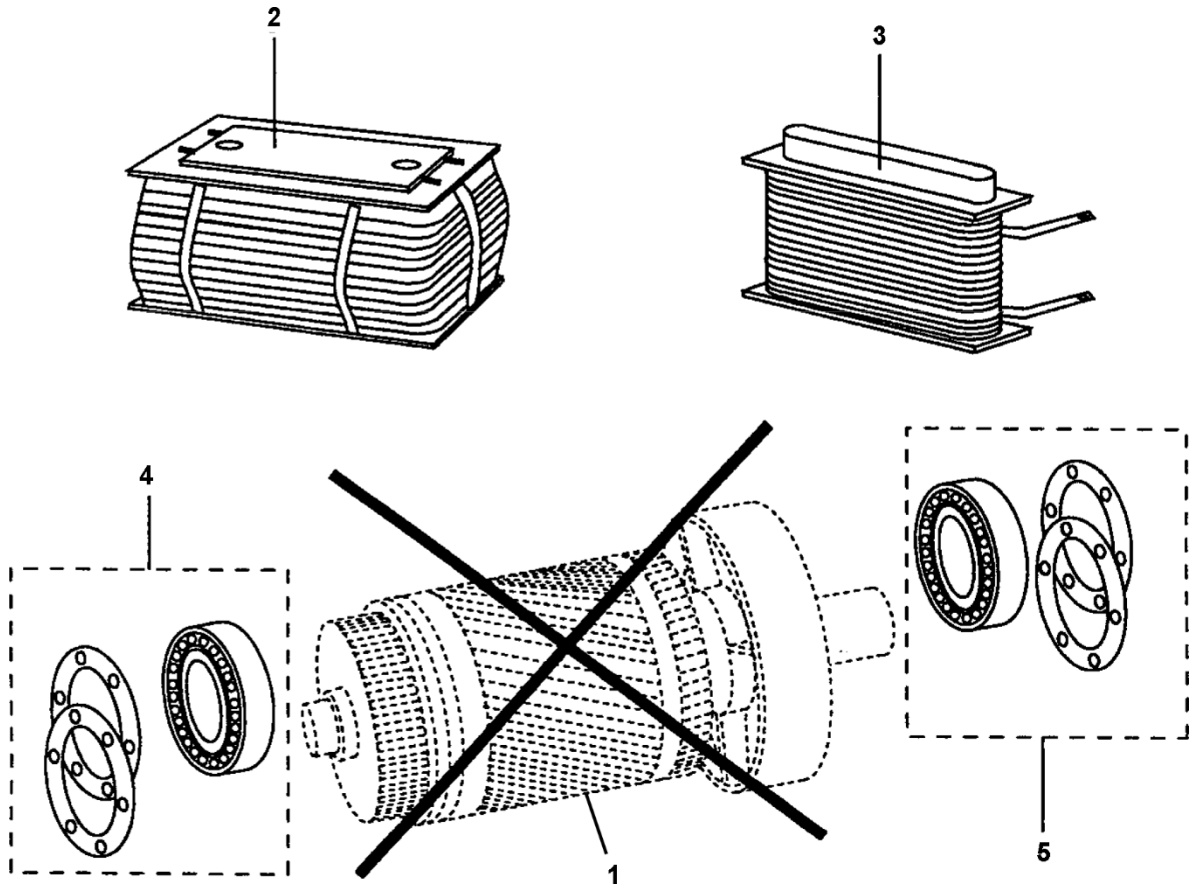
Name	Department
Gary Mendrala	OSC Service Engineering

About Spare Parts Leaflets...

This document lists the lowest replaceable units (LRUs) for the standard version of the product. The LRUs are chosen by a team of Otis associates representing engineering and manufacturing.

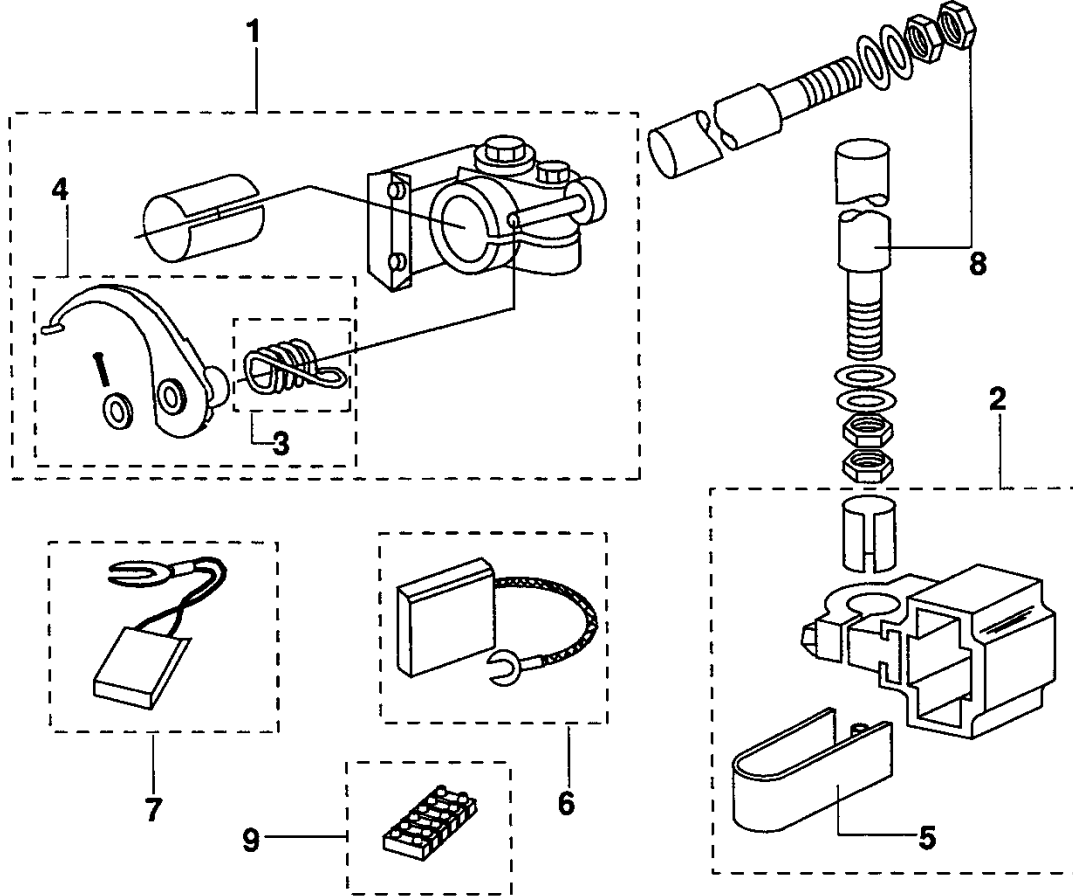
While goal of this document is to make parts identification as easy as possible, the document cannot be all-inclusive. Elevator and escalator contracts classified as "special" or "custom" are not addressed here. For such contracts, please refer to specified information, the contract folder, TIPs, Field Education Articles, Construction Letters, etc. for further information.

If you have any suggestions about this document, please contact the subject matter expert listed on this page.

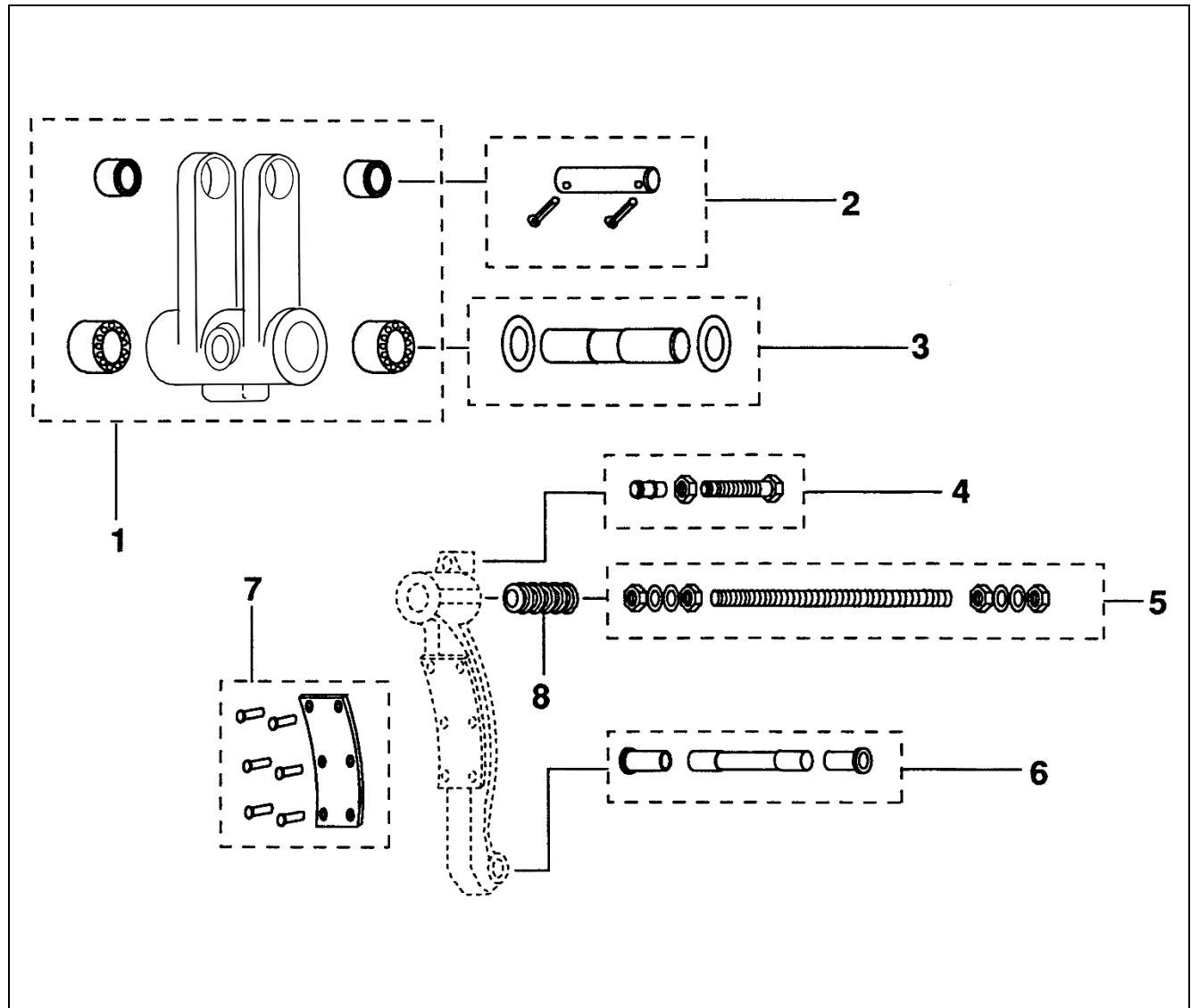





NOTE: Complete 139HT machine. Only Vintage ALY7146B from Otis China available.

VINTAGE L01 and L02					
REF. No.	PART No.	DESCRIPTION			
1	---	Assembly, Armature, Contact Spare Lending			
2	LX221DP1 LO5000E703	Assembly, Field Coil, <table border="1" style="display: inline-table; vertical-align: middle;"><tr><td>ORDER</td></tr><tr><td> </td></tr><tr><td> </td></tr></table> 6	ORDER		
ORDER					
3	LX219AS1	Coil, Interpole, <table border="1" style="display: inline-table; vertical-align: middle;"><tr><td>ORDER</td></tr><tr><td> </td></tr><tr><td> </td></tr></table> 6	ORDER		
ORDER					
4	LO5000E432	Bearing + Gaskets			
5	LO5000E431	Bearing + Gasket			

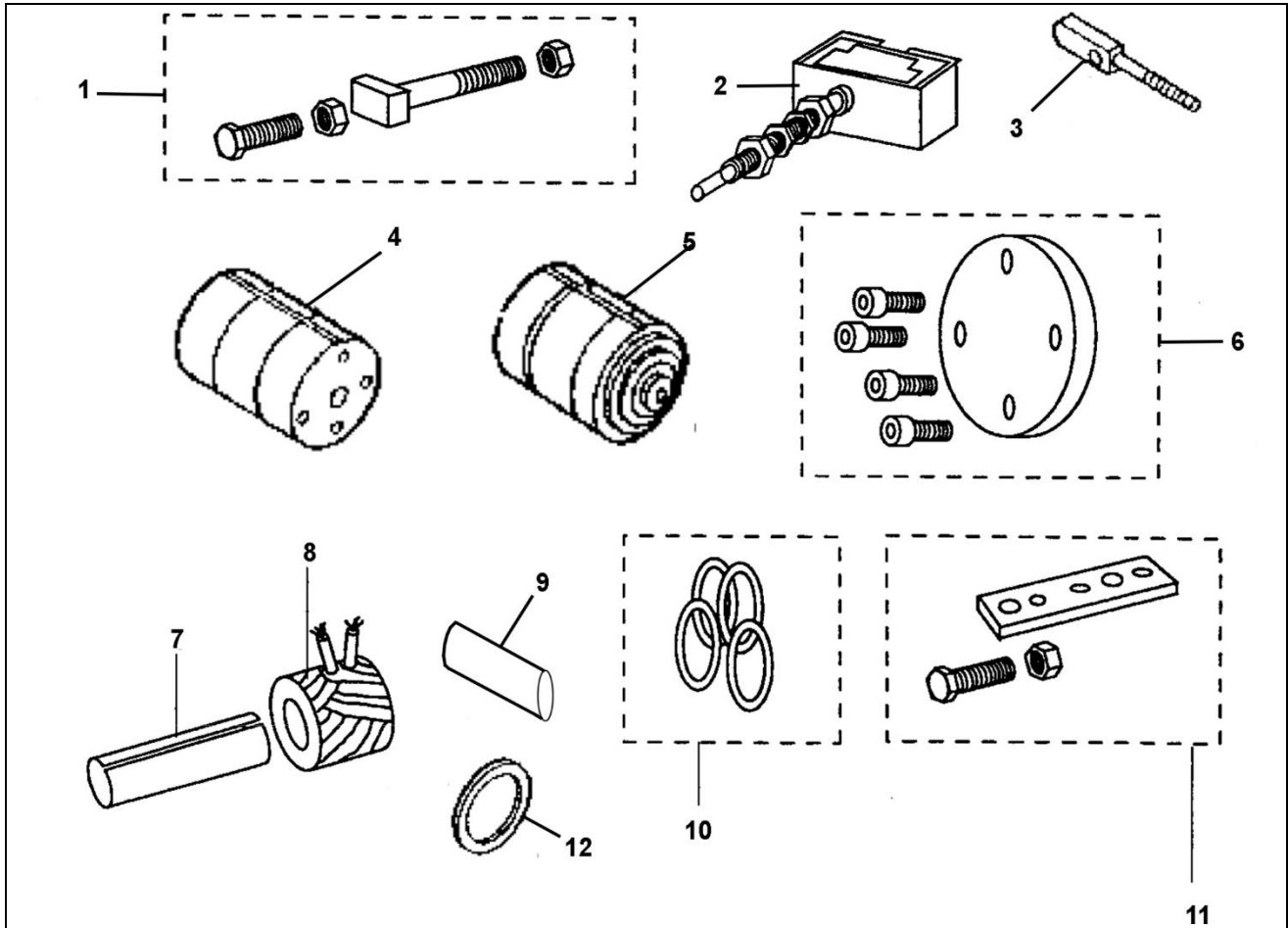


	L01	L02	
REF. No.	PART No.		DESCRIPTION
1	6134B5	---	Brush Holder (22 mm), w/o Insulation Strip
1	LO2000FA318	---	Brush Holder (22.5 mm) w/ Insulation Strip
2	---	6134J7	Brush Holder (22 mm) w/o Insulation Strip
2	---	LO5000E706	Brush Holder (22.5 mm) w/ Insulation Strip
3	92A2	---	Spring
4	LO5000E705	---	Spring Arm + Spring + Washer + Pin
5	---	93FC2	Spring Constant Force
6	LO5000E812	---	Brush Package (set of 12)
7	---	LO5000E813	Brush Package (set of 12)
8	LO2000FA830		Brush Stem 22 mm
9	LO303PJ1		Terminal Block



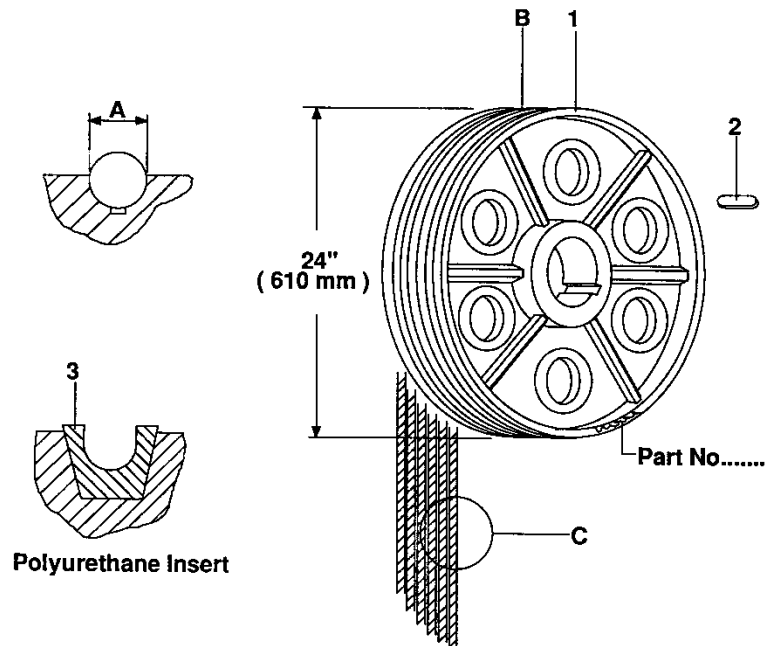
VINTAGE L01 and L02		
REF. No.	PART No.	DESCRIPTION
1	ALXA288HX2	Assembly, Link
2	LO2000FA838	Pin + Cotter Pins
3	LO2000FA839	Pin + Washers
4	LO2000FA842	Striker Pin + 
5	LO5000E502	Brake Rod + 
6	LO5000E430	Brake Arm Pivot + Bushes
7	---	Brake Lining + Rivets,  TIP 6.0-1
8	90JD11	Spring

For brake pad relining, see TIP 6.0-1.

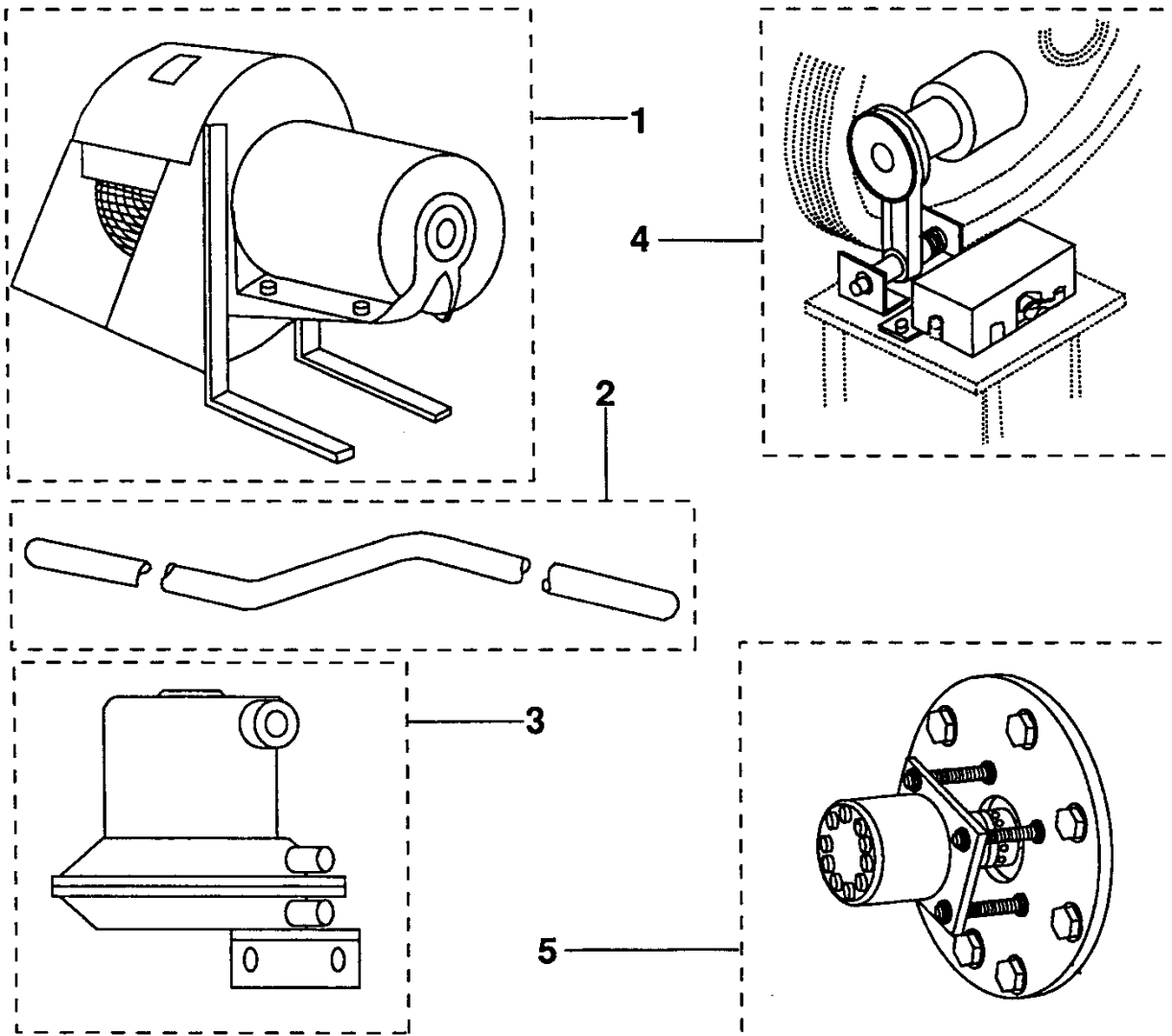


VINTAGE L01 and L02



REF. No.	PART No.	DESCRIPTION
1	LO2000FA836	Assembly, Bolt for Brake
2	477AP2 177AP1	Switch (no longer available)
3	GX65GA501	Bolt
4	LX400DD1	Brake Core, Male
5	LX400DB1	Brake Core, Female
6	345AMA1	Disc
7	136R10	Magnet Core Tube
8	222JA15 AAA222FS1	Magnet Coil for Brake
9	77R61	Pin
10	LO5000E428	Shims and Brake Core
11	LO5000E427	Switch Arm for Brake
12	128AG53	Washer

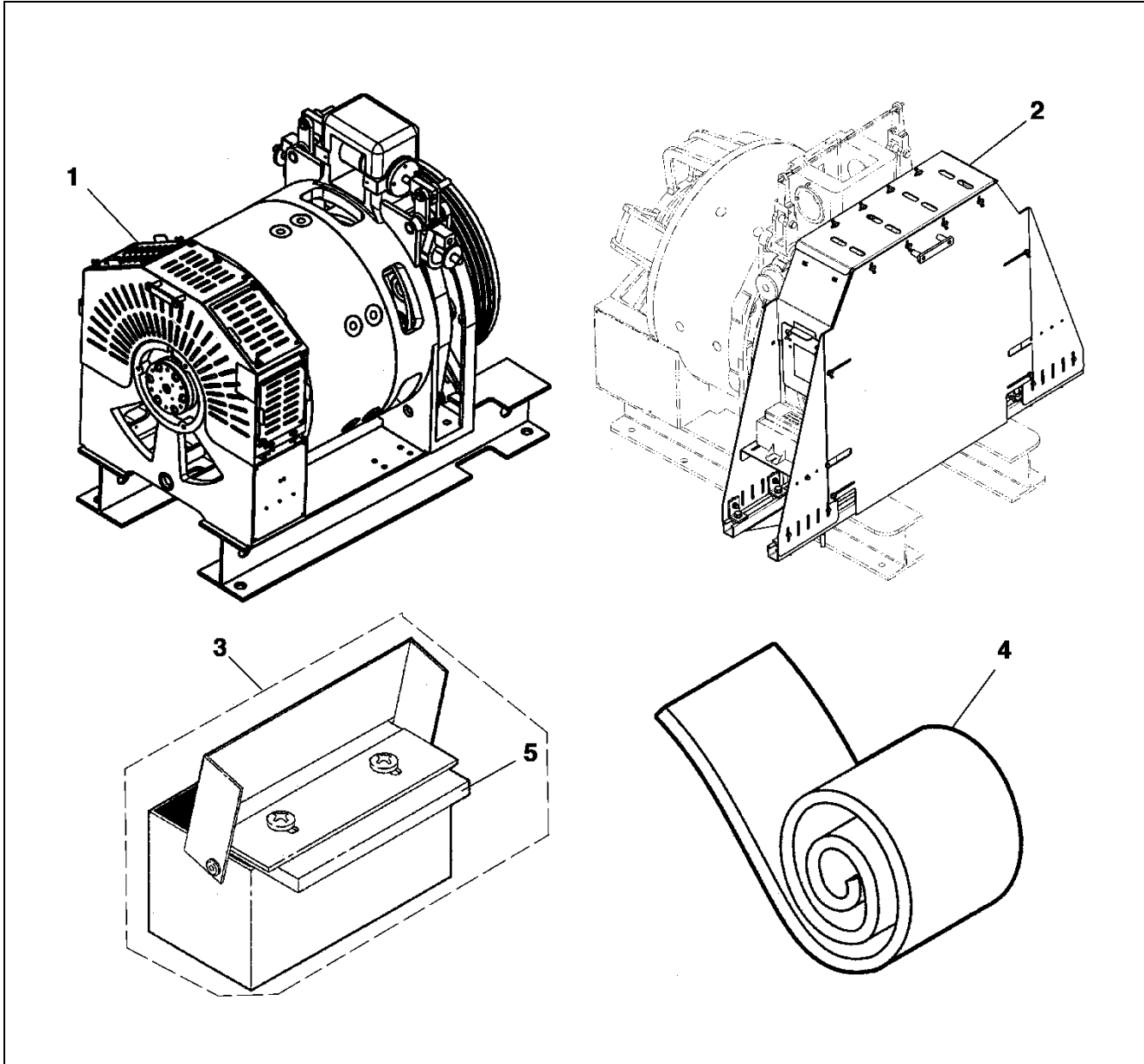


VINTAGE L01 and L02								
REF. No.	PART No.	DESCRIPTION	A UNDERCUT GROOVE	B NUMBER OF GROOVES	C ROPE DIAMETER			
1	LX260BY510	Standard Drive Sheave w/Rim 24 in. Sheave Diameter	90°	6	13 mm / 1/2 in.			
1	LX260BY511		105°	6				
1	LX260BY509		90°	7				
1	LX260BY508		105°	7				
1	LX260BY502	Standard Drive Sheave w/o Rim 24 in. Sheave Diameter	90°	6				
1	LX260BY503		105°	6				
1	LX260BY501		90°	7				
1	LX260BY500		105°	7				
1	LX260BY512	Poly Sheave w/ Rim 24 in. Sheave Diameter	POLY INSERT	6				
1	LX260BY506		POLY INSERT	7				
1	LX260BY504	Poly Sheave w/o Rim 24 in. Sheave Diameter	POLY INSERT	6				
1	LX260BY1		POLY INSERT	7				
2	192D37	Key						
3	251BT13 AAA251BT5	Polyurethane Insert	<table border="1" style="display: inline-table; vertical-align: middle;"> <tr><td style="text-align: center;">ORDER</td></tr> <tr><td> </td></tr> <tr><td> </td></tr> </table>	ORDER			1 per Groove	
ORDER								



VINTAGE L01 and L02

REF. No.	PART No.	DESCRIPTION
1	LO6091AB1 LOA6091AB1	Blower Unit
2	LO137AJ1	Sensor Tube
3	LO177AP1	Air Pressure Switch
4	---	Primary Velocity Transducer  SPL 06-HT200750-1
5	---	Shaft Encoder  SPL 06-7119AB



VINTAGE L01 and L02		
REF. No.	PART No.	DESCRIPTION
1	---	Guard, Commutator End, TIP 6.1.0-19
2	---	Guard, Sheave, TIP 6.1.1-14
3	AAA508AH3	Lubricator
4	AAA297AY4	Strip, Carpet
5	AAA488M5	Wick, Felt