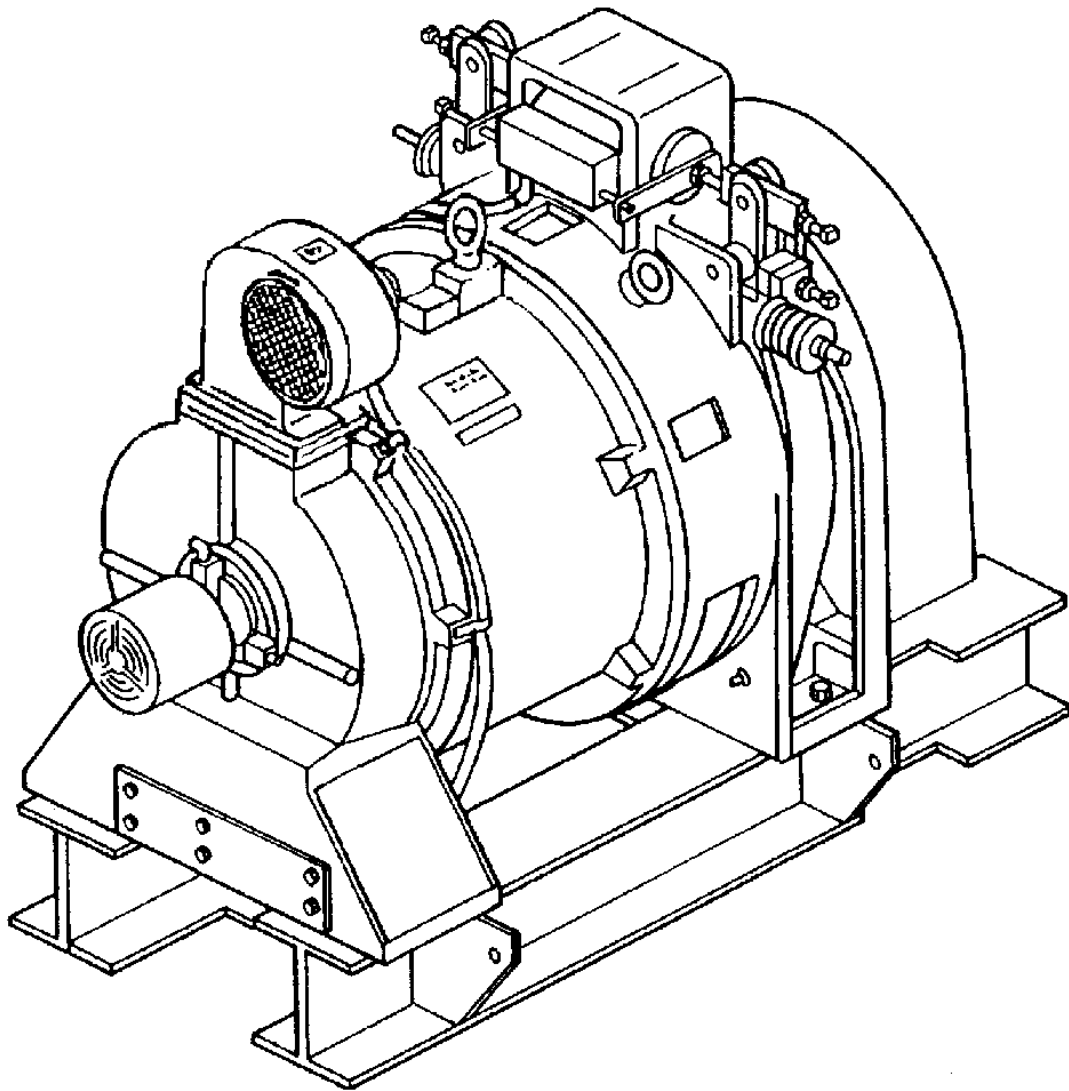


**156MST Machine
(OVF416, CSA & NAA)**

Spare Parts Leaflet

06-JAA20220AAN

February 19, 2014 / Page 1 of 7



OTIS

SERVICE ENGINEERING
Otis Elevator Company
Shibayama Factory, Japan

Unpublished Work—© Otis Elevator Co.; 2014

Leaflet Description

This leaflet provides spare parts information for 156MST machine. Used for OVF416 drive and CSA (NAA) code.

Leaflet Revisions

Date Revised	Subject Matter Expert	Reason for Revision
August 20, 2009	Yamaoka Takayuki	New SPL
February 19, 2014	Val Sheynkman	Updated p. 7

Related Drawings

Drawing No.	Title	Drawing No.	Title
---	---	---	---
---	---	---	---

Related Documents

Document ID	Title
---	---
---	---

Subject Matter Expert

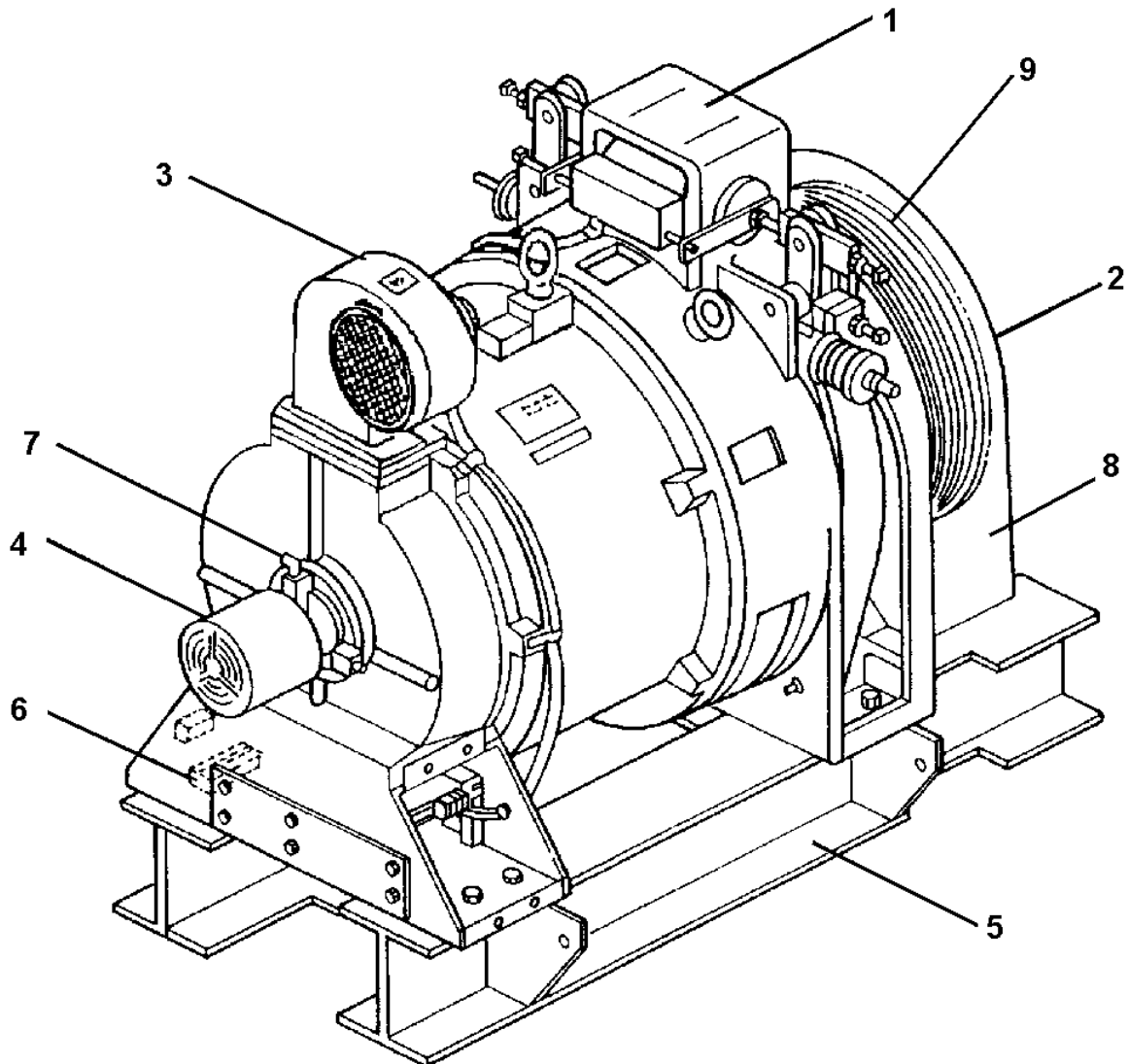
Name	Department
Val Sheynkman	OSC Service Engineering

About Spare Parts Leaflets...

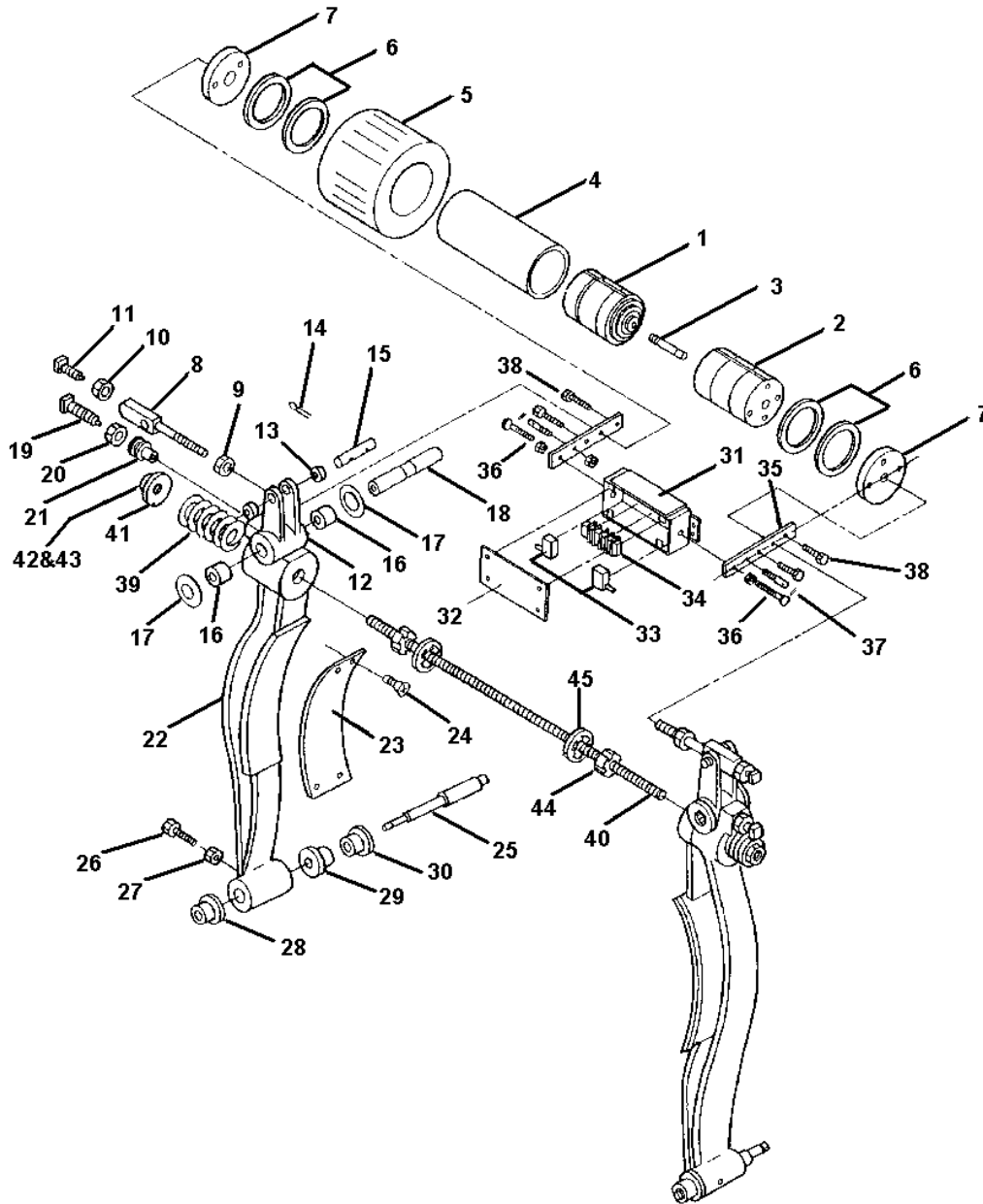
This document lists the lowest replaceable units (LRUs) for the standard version of the product. The LRUs are chosen by a team of Otis associates representing engineering and manufacturing.

While goal of this document is to make parts identification as easy as possible, the document cannot be all-inclusive. Elevator and escalator contracts classified as “special” or “custom” are not addressed here. For such contracts, please refer to specified information, the contract folder, TIPs, Field Education Articles, Construction Letters, etc. for further information.

If you have any suggestions about this document, please contact the subject matter expert listed on this page.



JAA20220AAN		
REF. NO.	PART or ML	DESCRIPTION
1	Page 4	Brake Assembly
2	Page 6	Rotor Assembly & Parts
3	JAA00301AAG003	Blower
4	JAA21410AAJ004	PVT Assembly
5	JAA00293AAA001	Bed Plate
6	JBA00303ABZ001	Terminal Assembly
7	AGN	Nipple Grease JIS B1575 C Type
8	ABA384YJ2	Rope Guard



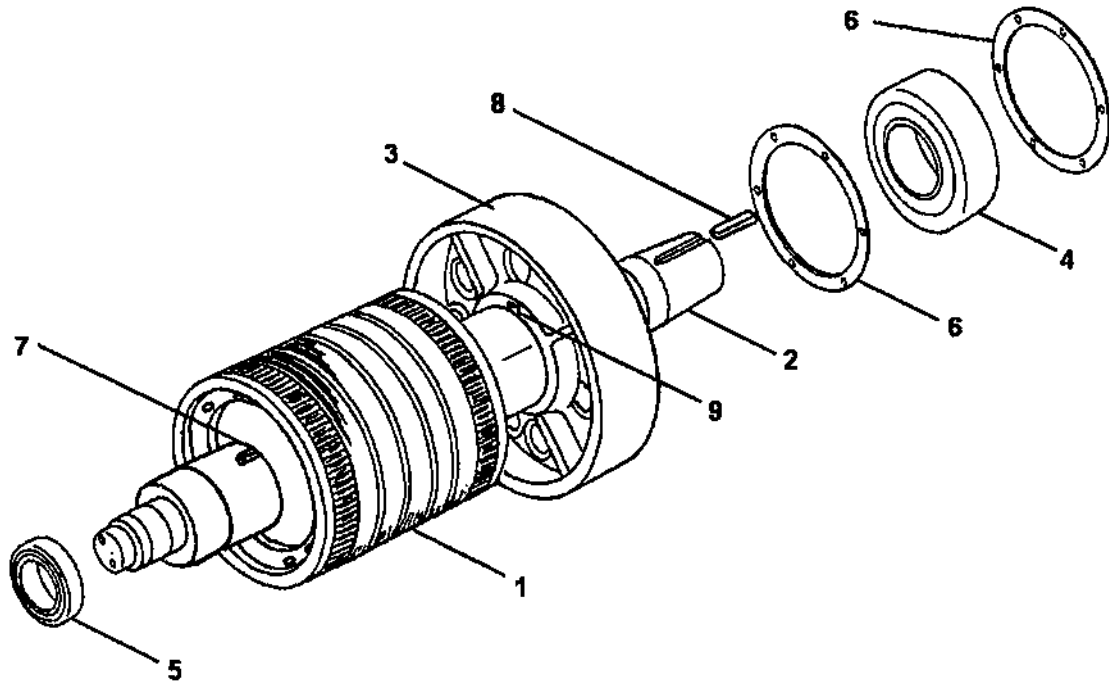
JAA20220AAN		
REF. NO.	PART or ML	DESCRIPTION
1	LX400DB1	Magnet Core
2	LX400DD1	Magnet Core
3	77RG2	Pin
4	136R10	Tube

(Continued on Next Page)

Brake Assembly

06-JAA20220AAN

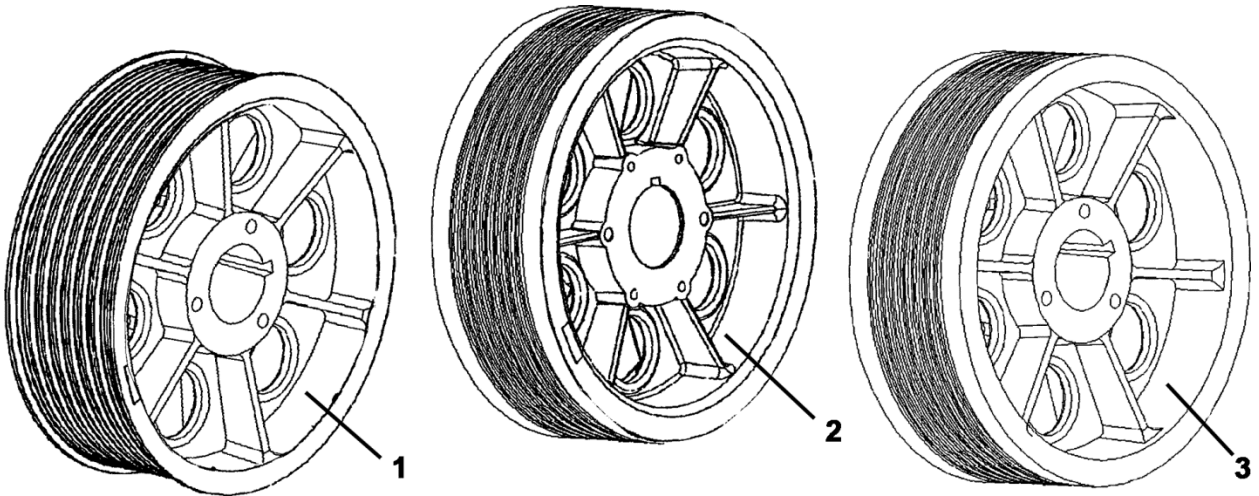
5	JAA00234AAS001	Magnet Coil
6	128AG53	Washer
7	346AMA1	Cover
8	GX65GA501	Bolt
9	NSM20-H	Hex. Full Nut
10	JSM20-H	Hex. Jam Nut
11	BFM20X050-H	Hex. HD. Fin Bolt
12	JXB288HX2	Lever
13	209A6	Needle Bearing
14	PC3.2X35	Cotter Pin
15	JO82AA3	Pin
16	209A7	Needle Bearing
17	128AL2	Washer
18	LX77LG3	Pin
19	BFM20X065-H	Hex. HD. Fin Bolt
20	NSM20-H	Hex. Full Nut
21	81BN2	Pin
22	ACA286AAA2	Lever
23	B416Y1	Lining, Brake
24	145C3	Special Flat Head Copper Rivet
25	JAA00081AFN001	Pin
26	BFM16X050-FULL	Hex. HD. Fin. Full Bolt
27	JSM16	Hex. Jam Nut
28	JAA335AAJ1	Pole Piece (bushing)
29	335H14	Bushing
30	335H14	Bushing
31	JX308HS1	Box
32	346XC15	Cover
33	177Y1	Micro Switch
34	303G2	Board
35	288NH5	Lever
36	JAA00124AAA001, JSM12	Screw & Hex. Jam Nut
37	JAA98AKA1, NSM10, LWS10, PC2.5X32	Rod, Hex. Full Nut, Hex. Jam Nut & Spring Lock Washer
38	BFM08X045, LWS08	Hex. HD. Fin. Bolt & Spring Lock Washer
39	90JD4	Spring
40	LXMC096A505	Rod
41	ABA133AAB1	Washer
42	NSM24	Hex. Full Nut
43	JSM24	Hex. Jam Nut
44	NSM24	Hex. Full Nut
45	LWS24	Spring Lock Washer



JAA20220AAN			
REF. NO.	PART or ML	DESCRIPTION	
1	JAA20220AAM001	Motor Assembly	35kW
2	JAA00461AAB002	Shaft	
3	LX198Y2	Brake Pulley	
4	209G14	Roller Bearing	
5	JAA00207AAA001	Ball Bearing	
6	376T16	Gasket	
7	JAA00192AAB002	Key	
8	192D37	Key	
9	192G107	Key	

Sheave

06-JAA20220AAN



JAA20220AAN				
REF. No.	PART No.	DESCRIPTION	NO. & SIZE	UNDERCUT
1	JAA00261AAB001	Sheave	(6) Ø 12.7	90°
	JAA00261AAB002	Sheave	(7) Ø 12.7	
	JAA00261AAB003	Sheave	(6) Ø 12.7	105°
	JAA00261AAB004	Sheave	(7) Ø 12.7	
	JAA00261AAB005	Sheave	(5) Ø 12.7	90°
	JAA00261AAB006	Sheave	(5) Ø 12.7	105°
2	JAA00261AAB101	Sheave	(6) Ø 12.7	90°
	JAA00261AAB102	Sheave	(7) Ø 12.7	
	JAA00261AAB103	Sheave	(6) Ø 12.7	105°
	JAA00261AAB104	Sheave	(7) Ø 12.7	
	JAA00261AAB105	Sheave	(5) Ø 12.7	90°
	JAA00261AAB106	Sheave	(8) Ø 12.7	
3	JAA00261AAB201	Sheave	(7) Ø 13	90°
	JAA00261AAB202	Sheave	(8) Ø 13	