

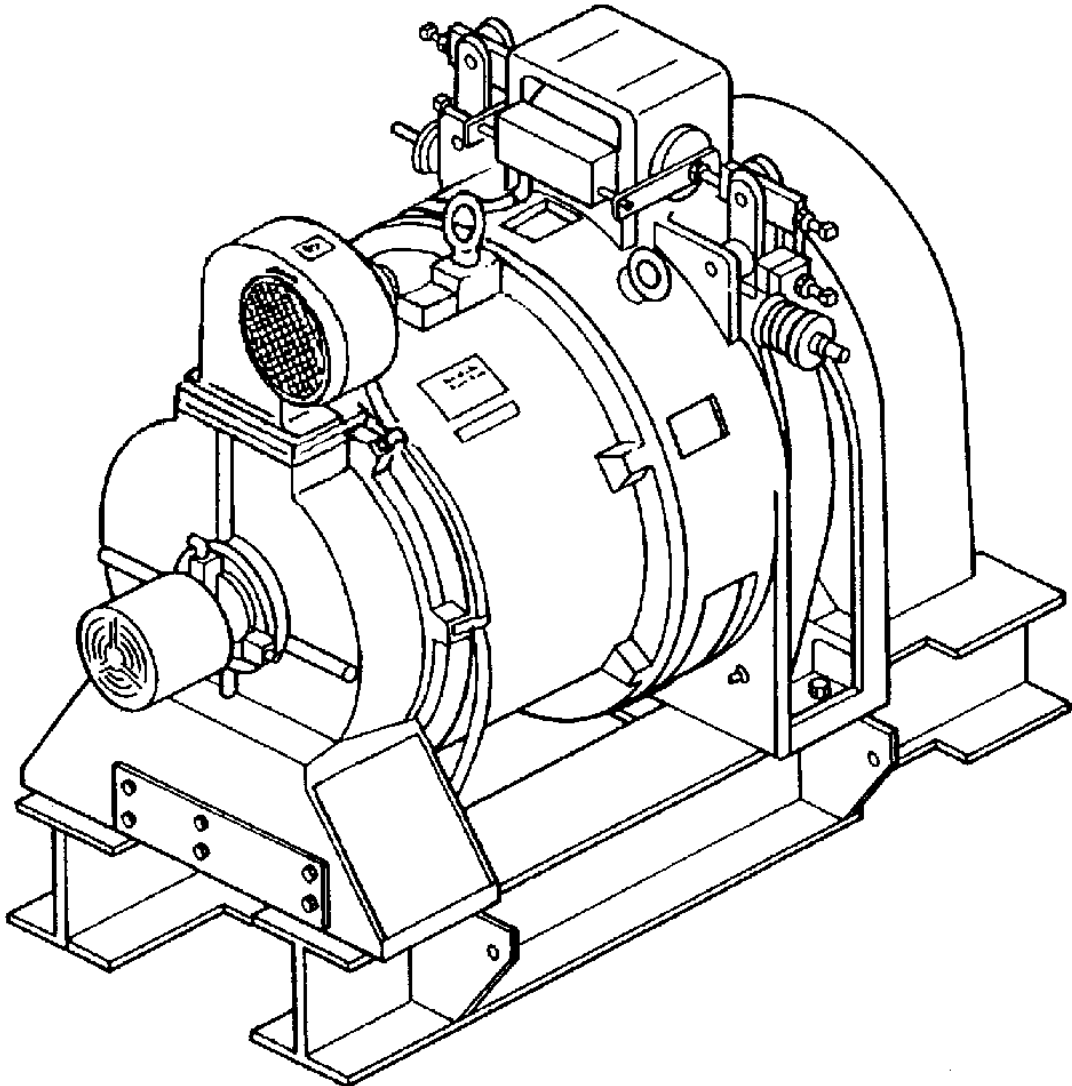
**156MST machine
(TATUNG)**

Spare Parts Leaflet

06-JAA20220AAE

May 24, 2018 / Page 1 of 9

Supersedes SPL 06-JAA20220AAE August 1, 2001



Unpublished Work—© Otis Elevator Co.;

OTIS

Safety First!

SERVICE ENGINEERING

**Otis Elevator Company
Shibayama Factory, Japan**

History
06-JAA20220AAE
First Published: August 2001

156MST machine (TATUNG)

REVISED DATE	RESPONSIBLE ENGINEER	PRIMARY REASON FOR REVISION
August 1, 2001	Hirayama, Hiroyuki	New SPL
August 20, 2009	Yamaoka, Takayuki	Update : Changed Sheave (P. 9)
October 8, 2009	Yamaoka, Takayuki	Update : Added Sheave P/N JAA261ABC FOR JAPAN(P.9)
May 24, 2018	Yamaoka, Takayuki	Changed Lever GOA286F2⇒ACA286AAA4 Deleted Lining(GXA416Y1,B416Y1) & RIVET(145C3) See p.6,7 Updated p.9

Leaflet Description

This leaflet provides spare parts information for 156MST machine.
Made in TATUNG.

RELATED LEAFLET NUMBERS	TITLES
---	---
---	---

DRAWING REFERENCES	TITLES
JAA20220AAE	156MST MACHINE
---	---

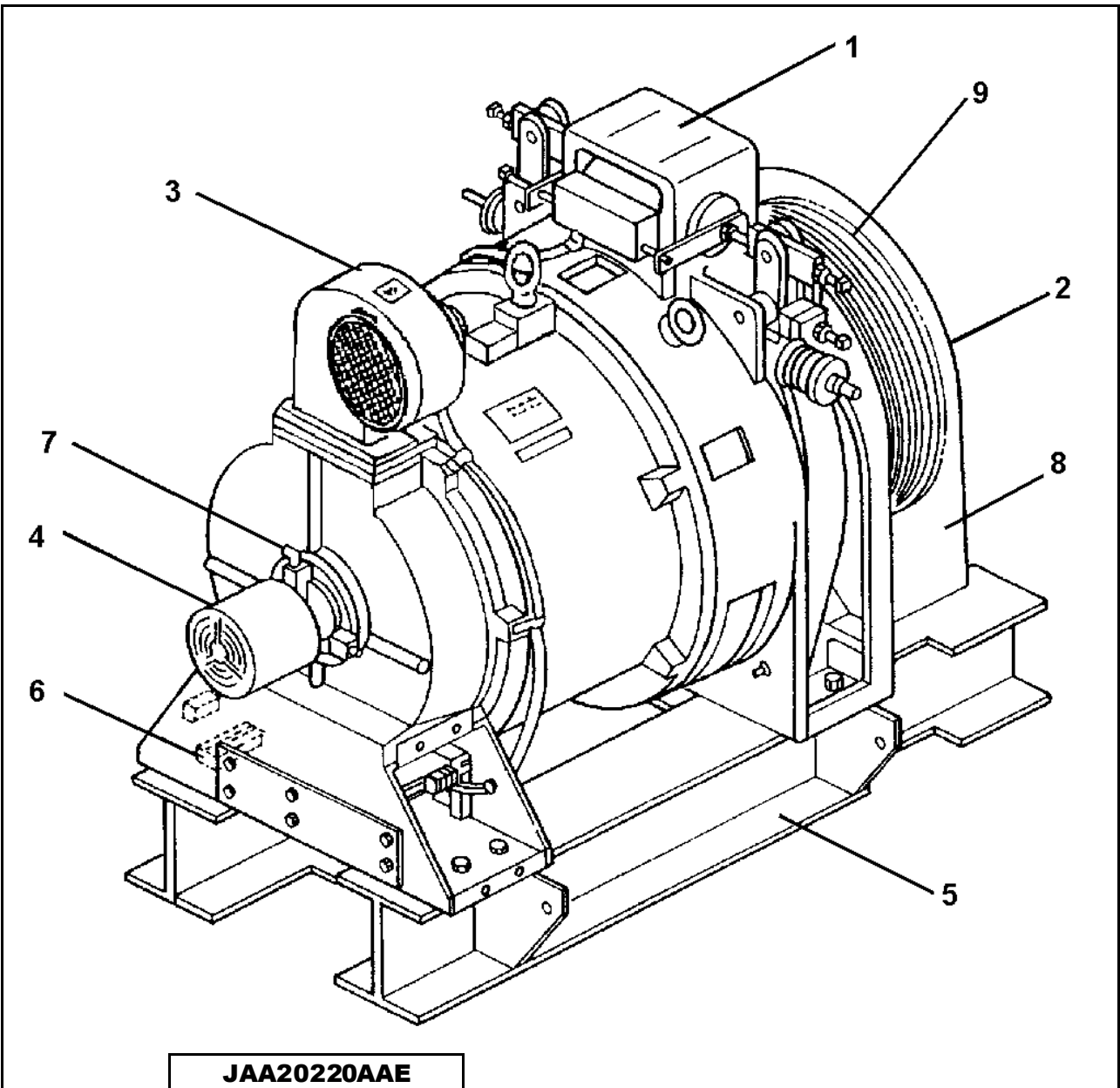
RELATED DOCUMENT NUMBERS	TITLES
---	---
---	---

This Spare Parts Leaflet (SPL) is prepared to assist you in determining the Lowest Replaceable Units (LRU) supported by the Otis Service Center for the standard version of the product titled on the preceding page. The parts are chosen by Otis associates from: Engineering, Field Engineering, Service Engineering, and Manufacturing. We attempt to make part identification as easy as possible. The SPL, however, cannot be all inclusive. Elevator and escalator contracts classified as either "special" or "custom" are not addressed. Alternative sources of information such as: the Contract Folder, Technical Information Publications, Field Education Articles, Construction Letters, etc. may give the information you are after. You live in the real world of maintaining your elevator and escalator contracts. On a daily basis, situations arise regarding parts identification and at times, for some reason, the part you need is not in the SPL. If you think a standard part not listed should be—let us know. We will respond.

Yamaoka, Takayuki-Nippon OTIS Service Center
--

ARRANGEMENT

ASSEMBLY NO.	LOAD(Kg)	VOLTAGE	HAND	APPLICATION
JAA20220AAE001	900 - 1350	200V - 220V	Right Hand	PAO Version
JAA20220AAE002			Left Hand	
JAA20220AAE003		346V - 380V	Right Hand	
JAA20220AAE004			Left Hand	
JAA20220AAE005		400V - 440V	Right Hand	
JAA20220AAE006			Left Hand	
JAA20220AAE101	1600 - 1800	200V - 220V	Right Hand	
JAA20220AAE102			Left Hand	
JAA20220AAE103		346V - 380V	Right Hand	
JAA20220AAE104			Left Hand	
JAA20220AAE105		400V - 440V	Right Hand	
JAA20220AAE106			Left Hand	
JAA20220AAE305	900 - 1800	480V	Right Hand	NAA Version

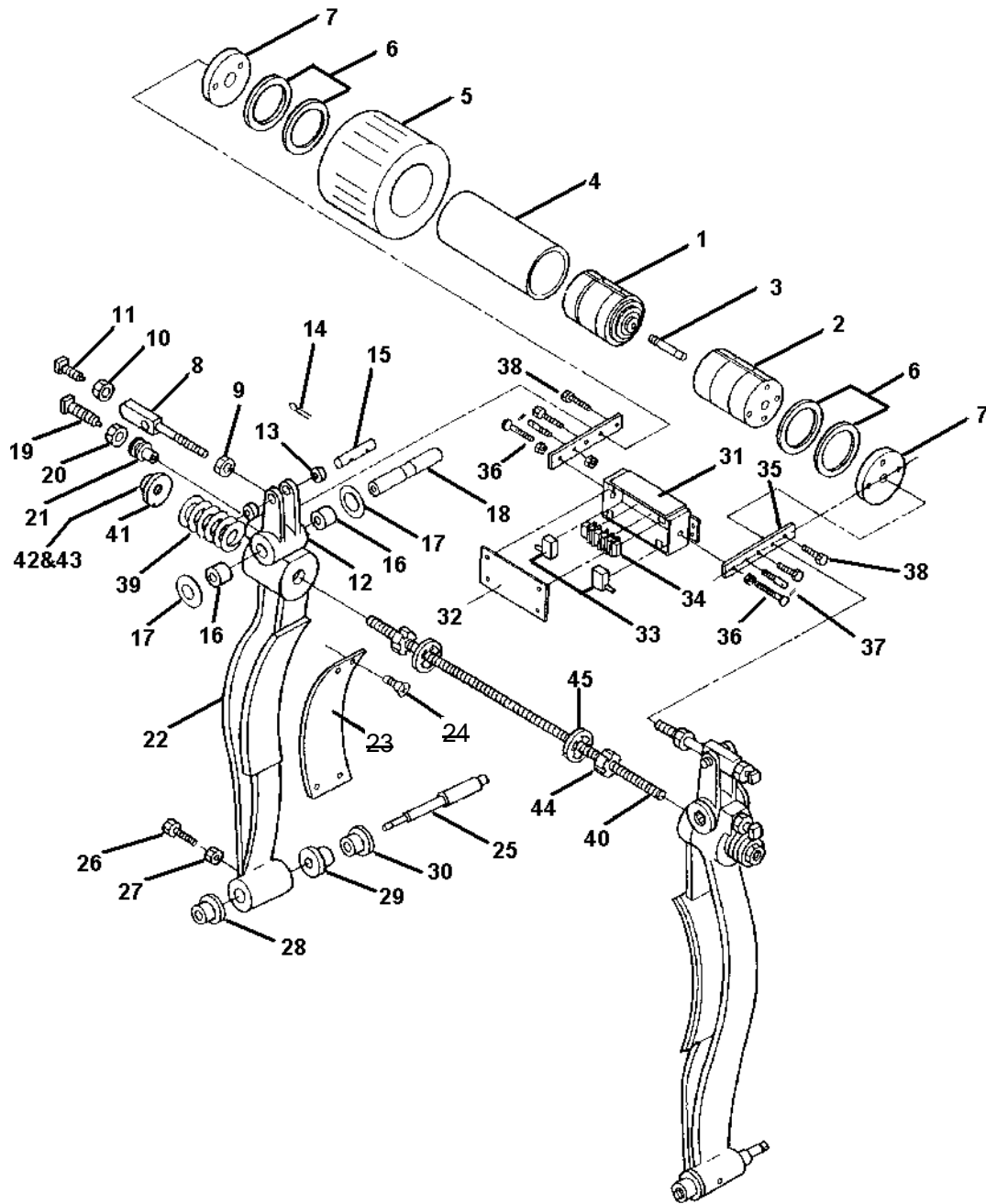


JAA20220AAE		
REF. NO.	PART or ML	DESCRIPTION
1	☞ Page 6	Brake Assembly
2	☞ Page 8	Rotor Assembly & Parts
3	☞ Page 5	Blower
4	☞ Page 5	PVT Assembly
5	JAA00293AAA001	Bed Plate
6	☞ Page 5	Terminal Assembly
7	AGN	Nipple Grease JIS B1575 C type
8	LX384SR1	Rope Guard
9	☞ Page 9	Sheave

Machine Assembly

06-JAA20220AAE

ASSEMBLY NO.	DESCRIPTION			
	Blower	PVT Assembly	Terminal Assembly	
JAA20220AAE001	JAA00301AAG001	JAA21410AAJ001	JBA00303ACG001	
JAA20220AAE002			JBA00303ACG002	
JAA20220AAE003	JAA00301AAG002		JBA00303ACG001	
JAA20220AAE004			JBA00303ACG002	
JAA20220AAE005	JAA00301AAG003		JBA00303ACG001	
JAA20220AAE006			JBA00303ACG002	
JAA20220AAE101	JAA00301AAG001		JBA00303ACG001	
JAA20220AAE102			JBA00303ACG002	
JAA20220AAE103	JAA00301AAG002		JBA00303ACG001	
JAA20220AAE104			JBA00303ACG002	
JAA20220AAE105	JAA00301AAG003		JBA00303ACG001	
JAA20220AAE106			JBA00303ACG002	
JAA20220AAE305			JBA00303ABZ001	
			JAA21410AAJ002	

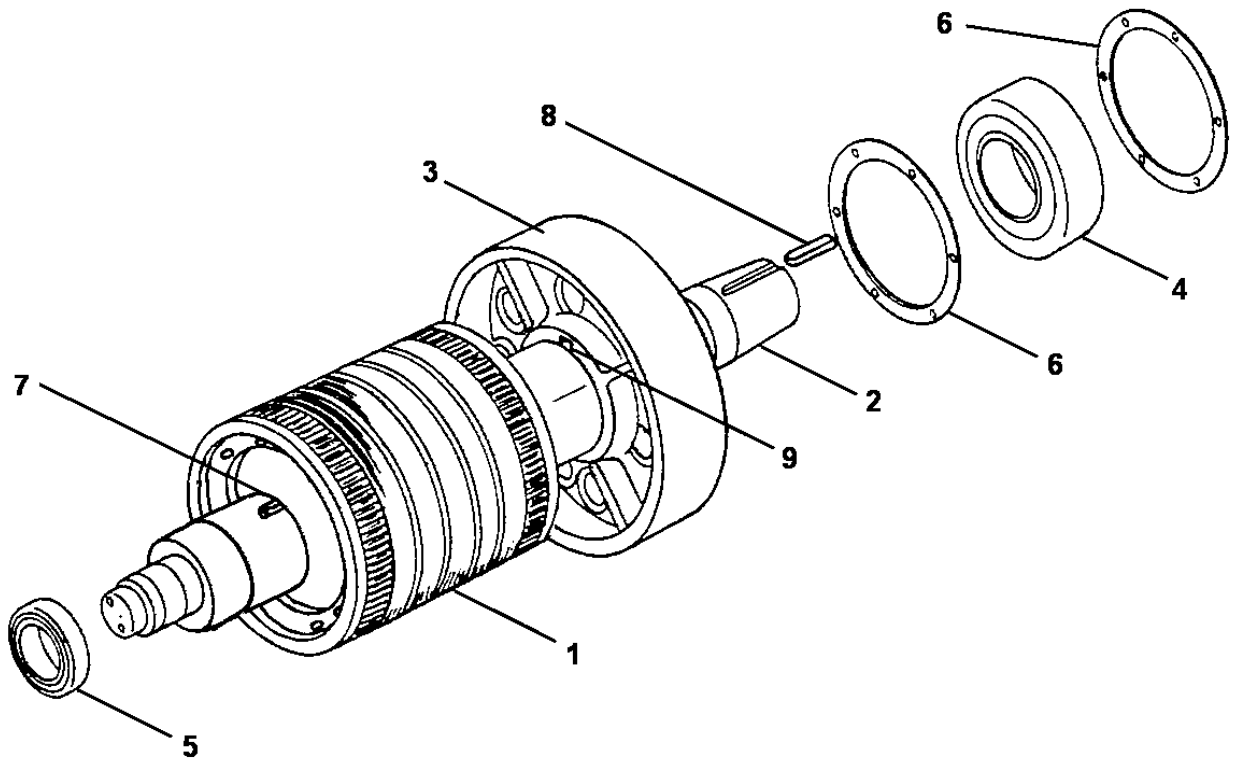


REF. NO.	PART or ML		DESCRIPTION
	JAA20220AAE 001 - 106	JAA20220AAE 101-106 & 305	
1	LX400DB1		Magnet Core
2	LX400DD1		Magnet Core
3	77RG2		Pin
4	136R10		Tube
5	222JA15	JAA00234AAS001	Magnet Coil

Brake Assembly

06-JAA20220AAE

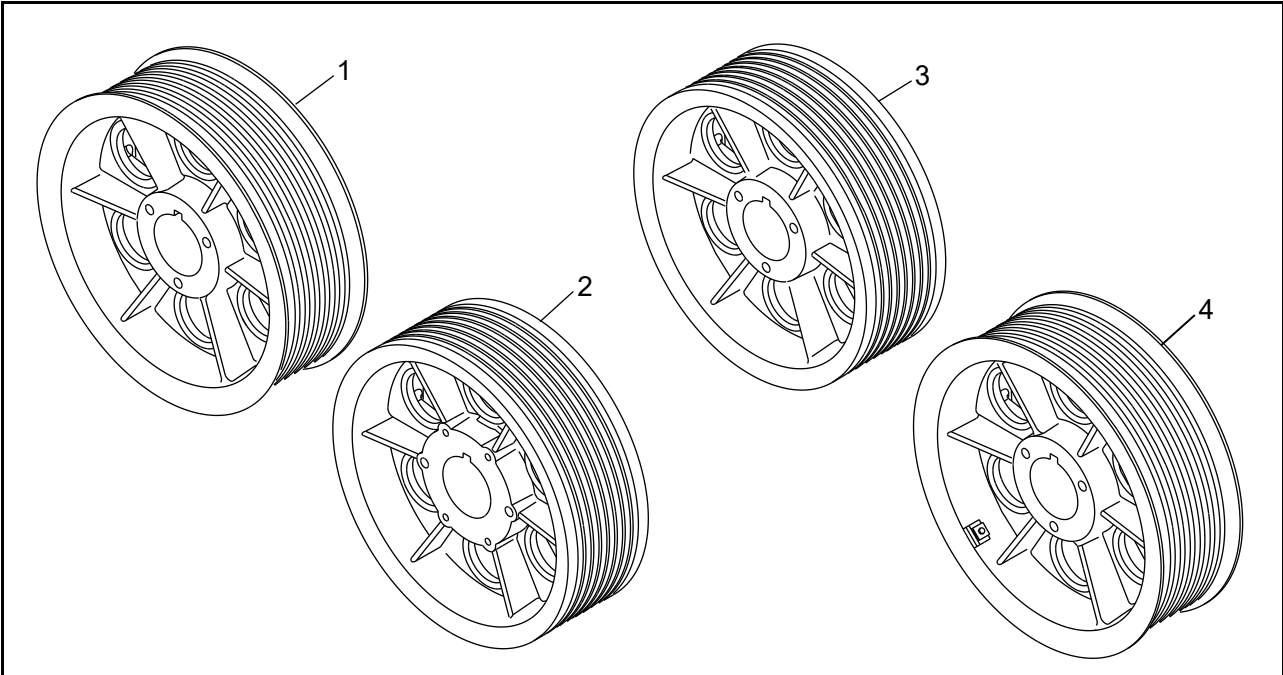
6	128AG53		Washer
7	346AMA1		Cover
8	GX65GA501		Bolt
9	NSM20-H		Hex. Full Nut
10	JSM20-H		Hex. Jam Nut
11	BFM20X050-H		Hex. HD. Fin Bolt
12	JXB288HX2		Lever
13	209A6		Needle Bearing
14	PC3.2X35		Cotter Pin
15	JO82AA3		Pin
16	209A7		Needle Bearing
17	128AL2		Washer
18	LX77LG3		Pin
19	BFM20X065-H		Hex. HD. Fin Bolt
20	NSM20-H		Hex. Full Nut
21	81BN2		Pin
22	ACA286AAA4 GOA286F2	ACA286AAA2	Lever
23	GXA416Y1	B416Y1	Lining, Brake
24	145C3		Special Flat Head Copper Rivet
25	JAA00081AFN001		Pin
26	BFM16X050-FULL		Hex. HD. Fin. Full Bolt
27	JSM16		Hex. Jam Nut
28	JAA335AAJ1		Pole piece
29	335H14		Bushing
30	335H14		Bushing
31	JX308HS1		Box
32	346XC15		Cover
33	177Y1		Micro Switch
34	303G2		Board
35	288NH5		Lever
36	JAA00124AAA001, JSM12		Screw & Hex. Jam Nut
37	JX96H98 , NSM10 , JSM10 , LWS10		Rod, Hex. Full Nut, Hex. Jam Nut & Spring Lock Washer
38	BFM08X045 , LWS08		Hex. HD. Fin. Bolt & Spring Lock Washer
39	90JD11	90JD4	Spring
40	LXMCO96A505		Rod
41	LX133AD500	ABA133AAB1	Washer
42	NSM24		Hex. Full Nut
43	JSM24		Hex. Jam Nut
44	NSM24		Hex. Full Nut
45	LWS24		Spring Lock Washer



	JAA20220AAE 001 - 006	JAA20220AAE 101 - 106 & 305	
REF. NO.	PART or ML		DESCRIPTION
1	JAA00751AAD407		Motor Assembly 28kW
	JAA00751AAD408		Motor Assembly 35kW
	JAA00751AAD409		Motor Assembly 40kW
2	JAA00461AAB001	JAA00461AAB002	Shaft
3	198Y1		Brake Pulley
4	209G14		Roller Bearing
5	JAA00207AAA001		Ball Bearing
6	376T16		Gasket
7	JAA00192AAB001	JAA00192AAB002	Key
8	192D37		Key
9	192G107		Key

Sheave

06-JAA20220AAE



JAA20220AAE							
REF. NO.	PART or ML	DESCRIPTION	NO.&SIZ E	MAT.	UNDERCUT		
1	JAA00261AAB001	Sheave	(6) φ 12.7	#40M	90°		
	JAA00261AAB002	Sheave	(7) φ 12.7		105°		
	JAA00261AAB003	Sheave	(6) φ 12.7		90°		
	JAA00261AAB004	Sheave	(7) φ 12.7		105°		
	JAA00261AAB005	Sheave	(5) φ 12.7		90°		
	JAA00261AAB006	Sheave	(5) φ 12.7		105°		
2	JAA00261AAB101	Sheave	(6) φ 12.7		#40M	90°	
	JAA00261AAB102	Sheave	(7) φ 12.7			105°	
	JAA00261AAB103	Sheave	(6) φ 12.7			90°	
	JAA00261AAB104	Sheave	(7) φ 12.7			105°	
	JAA00261AAB105	Sheave	(5) φ 12.7			90°	
	JAA00261AAB106	Sheave	(8) φ 12.7			90°	
3	JAA00261AAB201	Sheave	(7) φ 13	#45M		90°	
	JAA00261AAB202	Sheave	(8) φ 13			105°	
4 ※ ONLY JAPAN	JAA261ABC1	Sheave	(5) φ 12.5			#45M	90°
	JAA261ABC2	Sheave	(6) φ 12.5				
	JAA261ABC3	Sheave	(7) φ 12.5				105°
	JAA261ABC4	Sheave	(5) φ 12.5				
	JAA261ABC5	Sheave	(6) φ 12.5				
	JAA261ABC6	Sheave	(7) φ 12.5				

※ FOR JAPAN AREA, APPLYING JAA261ABC IS REQUIRED.

※ 日本では、JAA261ABCのシーブを使用すること。