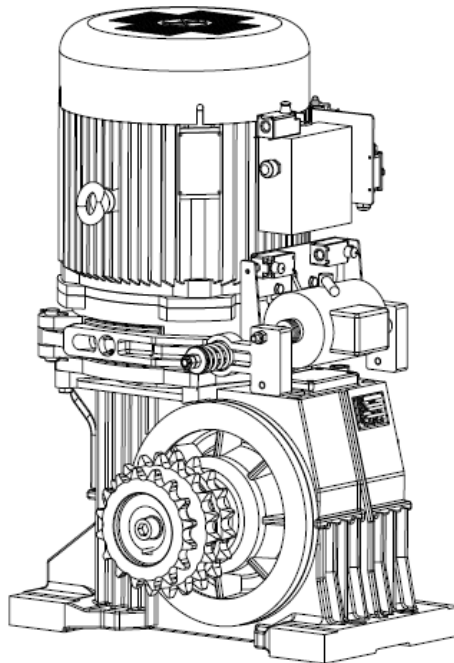
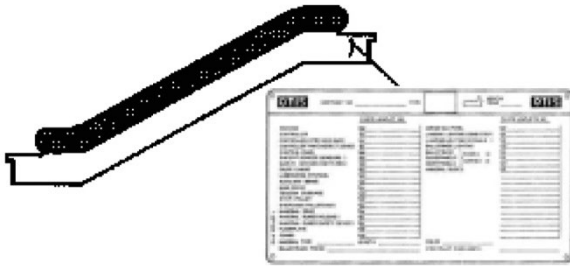


**ESCALATOR MACHINE**  
**EMC-W1-ANSI**  
**13 kW**

**Spare Parts Leaflet**

**06-HAA20401M**

**Apr. 11<sup>th</sup>, 2019 / Page 1 of 11**



Unpublished Work—© Otis Elevator Co.

**OTIS**

This document does not contain  
any technical data subject to EAR  
or ITAR

**ESCALATOR ENGINEERING**  
**Otis Elevator Company**

**ESCALATOR MACHINE  
EMC-W1-ANSI  
(13 kW)**

**Spare Parts Leaflet  
06-HAA20401M  
Apr. 11<sup>th</sup>, 2019 / Page 2 of 11**

## Leaflet Description

Machine EMC-W1-ANSI-13KW, for Link.

### Leaflet Revisions

Date Revised	CN	Subject Matter Expert	Reason for Revision
2019-04-11	CNT1900378	Kefu Chen	Original document
2020-03-06	CNT2000119	Alex Lu	P7, Update brake lifting switch type.
2023-03-02		Shengbo Li	P6, change the description of REF.NO.23, 24, 25, 26. P7, change the description of REF.NO.32, 33, 34.

### Related Drawings

Drawing No.	Title	Drawing No.	Title
HAA20401M	EMC-W1-ANSI-13kW		

### Related Documents

Document ID	Title
HE0201S	EMC-W1-ANSI-13kW ODS

### Subject Matter Expert

Name	Department

### About Spare Parts Leaflets

This document lists the lowest replaceable units (LRUs) for the standard version of the product. The LRUs are chosen by a team of Otis associates representing engineering and manufacturing.

While goal of this document is to make parts identification as easy as possible, the document cannot be all-inclusive. Elevator and escalator contracts classified as "special" or "custom" are not addressed here. For such contracts, please refer to specified information, the contract folder, TIPs, Field Education Articles, Construction Letters, etc. for further information.

If you have any suggestions about this document, please contact the subject matter expert listed on this page.

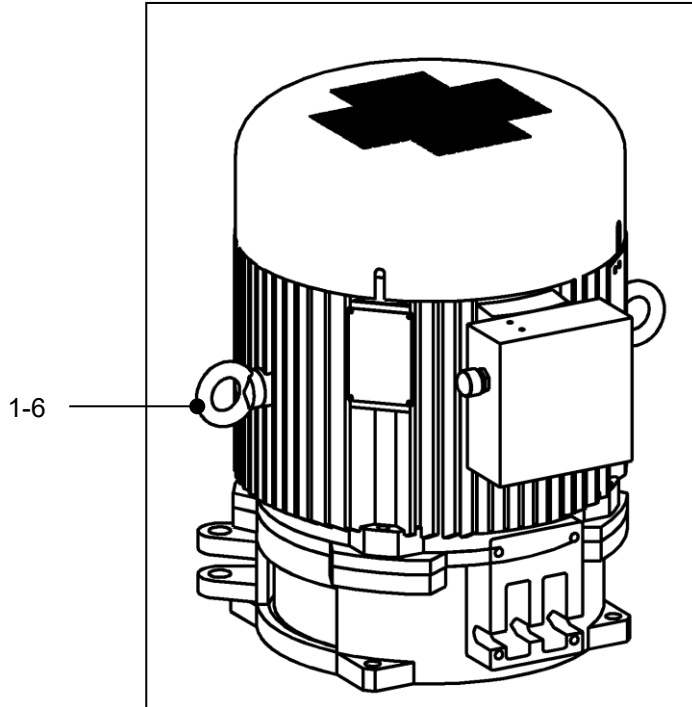
**ESCALATOR MACHINE**  
**EMC-W1-ANSI**  
**(13 kW)**

**Spare Parts Leaflet**

**06-HAA20401M**

**Apr. 11<sup>th</sup>, 2019 / Page 3 of 11**

**Motor , for indoor**



HAA20401M		
REF. No.	PART No.	DESCRIPTION
1	DAA20550H1	Motor (13kW, 60Hz, 1200rpm, IP55, 200/220V, w/ overspeed governor) for indoor
2	DAA20550H2	Motor (13kW, 60Hz, 1200rpm, IP55, 200/220V, w/o overspeed governor) for indoor
3	DAA20550H3	Motor (13kW, 60Hz, 1200rpm, IP55, 480V, w/ overspeed governor) for indoor
4	DAA20550H4	Motor (13kW, 60Hz, 1200rpm, IP55, 480V, w/o overspeed governor) for indoor
5	DAA20550H5	Motor (13kW, 60Hz, 1200rpm, IP55, 600V, w/ overspeed governor) for indoor
6	DAA20550H6	Motor (13kW, 60Hz, 1200rpm, IP55, 600V, w/o overspeed governor) for indoor

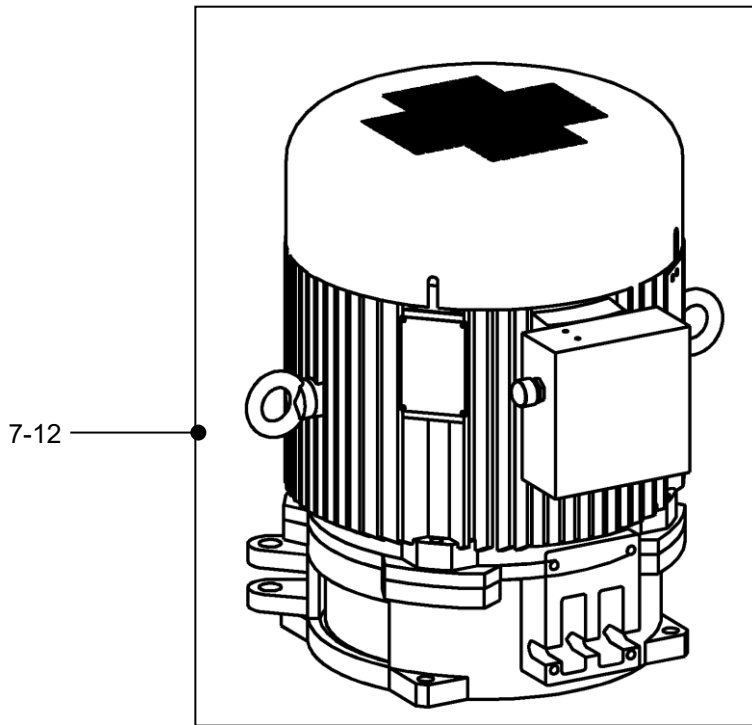
**ESCALATOR MACHINE**  
**EMC-W1-ANSI**  
**(13 kW)**

**Spare Parts Leaflet**

**06-HAA20401M**

**Apr. 11<sup>th</sup>, 2019 / Page 4 of 11**

**Motor, for outdoor / semi-outdoor**



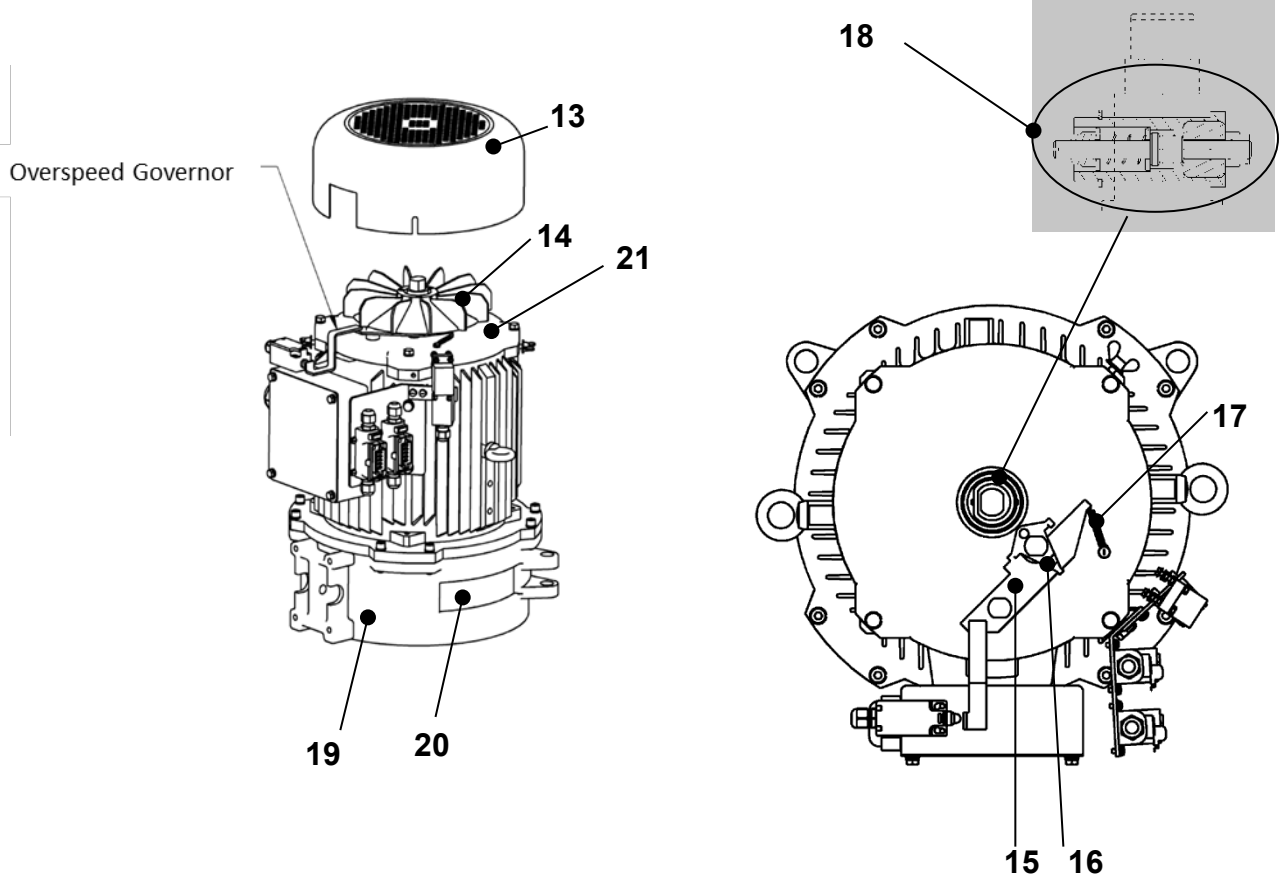
	<b>HAA20401M</b>	
<b>REF. No.</b>	<b>PART No.</b>	<b>DESCRIPTION</b>
7	DAA20550H101	Motor (13kW, 60Hz, 1200rpm, IP55, 200/220V, w/ overspeed governor), for outdoor / semi-outdoor
8	DAA20550H102	Motor (13kW, 60Hz, 1200rpm, IP55, 200/220V, w/o overspeed governor), for outdoor / semi-outdoor
9	DAA20550H103	Motor (13kW, 60Hz, 1200rpm, IP55, 480V, w/ overspeed governor), for outdoor / semi-outdoor
10	DAA20550H104	Motor (13kW, 60Hz, 1200rpm, IP55, 480V, w/o overspeed governor), for outdoor / semi-outdoor
11	DAA20550H105	Motor (13kW, 60Hz, 1200rpm, IP55, 600V, w/ overspeed governor), for outdoor / semi-outdoor
12	DAA20550H106	Motor (13kW, 60Hz, 1200rpm, IP55, 600V, w/o overspeed governor), for outdoor / semi-outdoor

**ESCALATOR MACHINE  
EMC-W1-ANSI  
(13 kW)**

**Spare Parts Leaflet**

**06-HAA20401M**

**Apr. 11<sup>th</sup>, 2019 / Page 5 of 11**



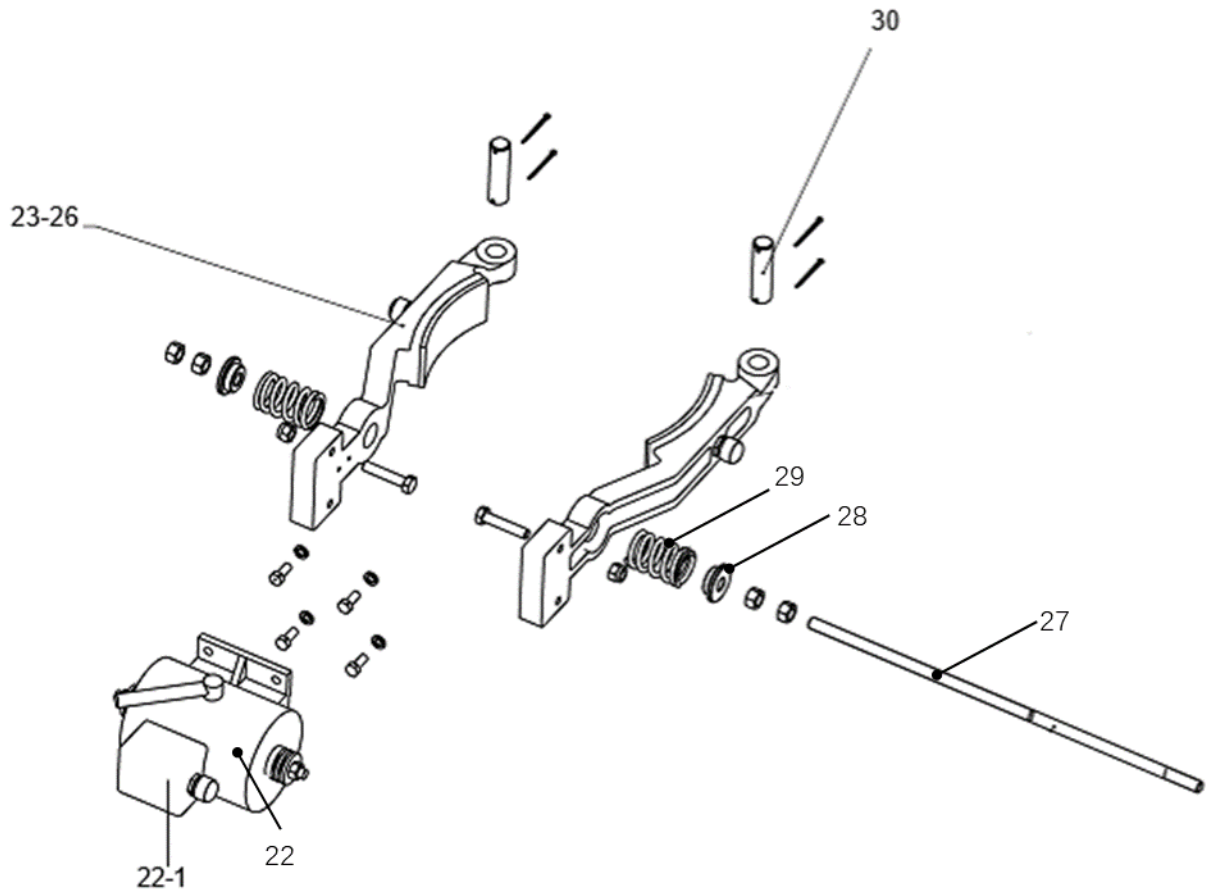
HAA20401M		
REF. No	PART No.	DESCRIPTION
13	DAA20550H-001	Motor cover, blue
14	DAA20550H-002	Fan
15	DAA20550H-003	Overspeed switch plate
16	DAA20550H-004	Tripper of overspeed governor
17	DAA20550H-005	Spring of overspeed governor
18	DAA20550H-006	Overspeed governor (1360-1380rpm)
19	DAA20550H-007	Flange connection between motor and gearbox
20	DAA20550H-008	Brake sheave
21	DAA20550H-009	Motor upper cover

**ESCALATOR MACHINE  
EMC-W1-ANSI  
(13 kW)**

**Spare Parts Leaflet**

**06-HAA20401M**

**Apr. 11<sup>th</sup>, 2019 / Page 6 of 11**



HAA20401M		
REF. No.	PART No.	DESCRIPTION
22	DAA234J1	Brake magnet
22-1	DAA26800BE1	Brake magnet circuit board
23	DAA286K1	Brake arm, w/ brake lining monitor, indoor
24	DAA286K2	Brake arm, w/o brake lining monitor, indoor
25	DAA286K101	Brake arm, w/ brake lining monitor, outdoor / semi-outdoor
26	DAA286K102	Brake arm, w/o brake lining monitor, outdoor / semi-outdoor
27	GAA98FG1	Rod
28	GAA131AAM1	Spring holder
29	DAA90AJ1	Spring
30	ISO2340-20X75	Pin

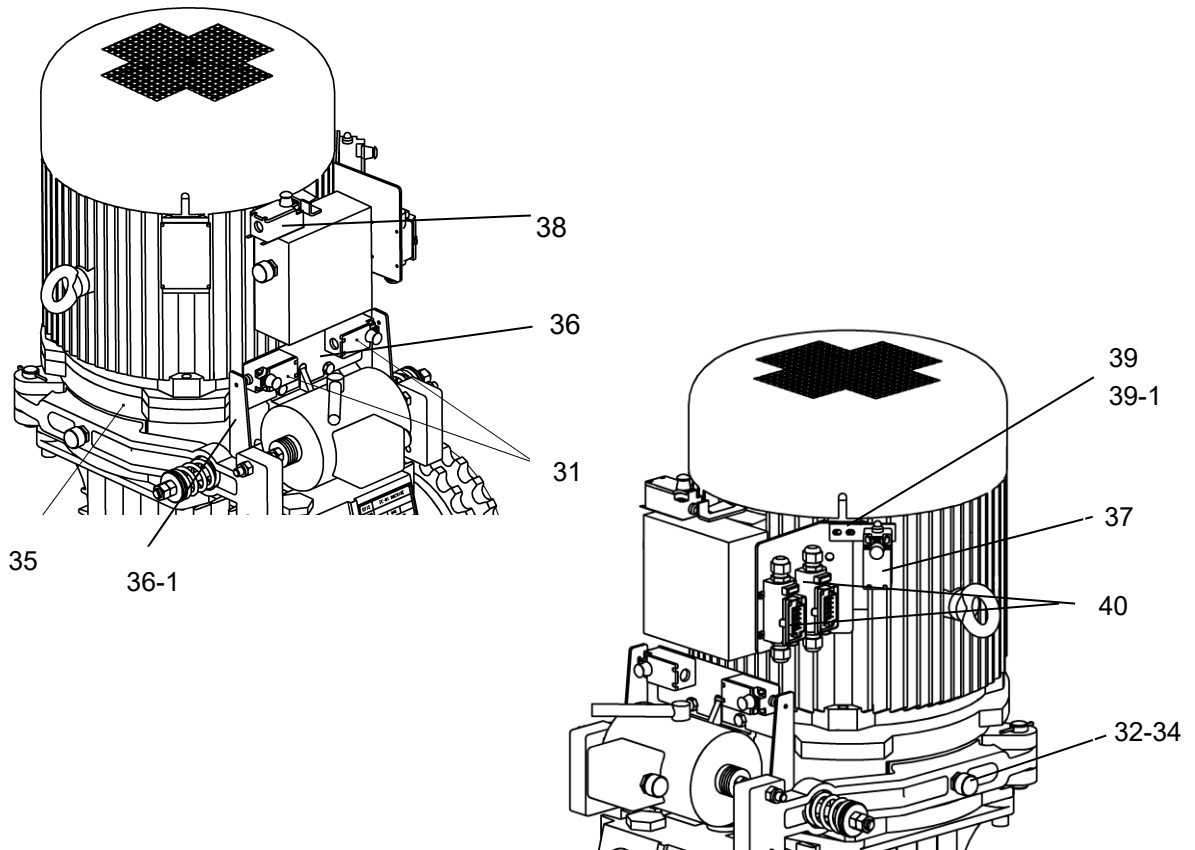
**ESCALATOR MACHINE**  
**EMC-W1-ANSI**  
**(13 kW)**

**Spare Parts Leaflet**

**06-HAA20401M**

**Apr. 11<sup>th</sup>, 2019 / Page 7 of 11**

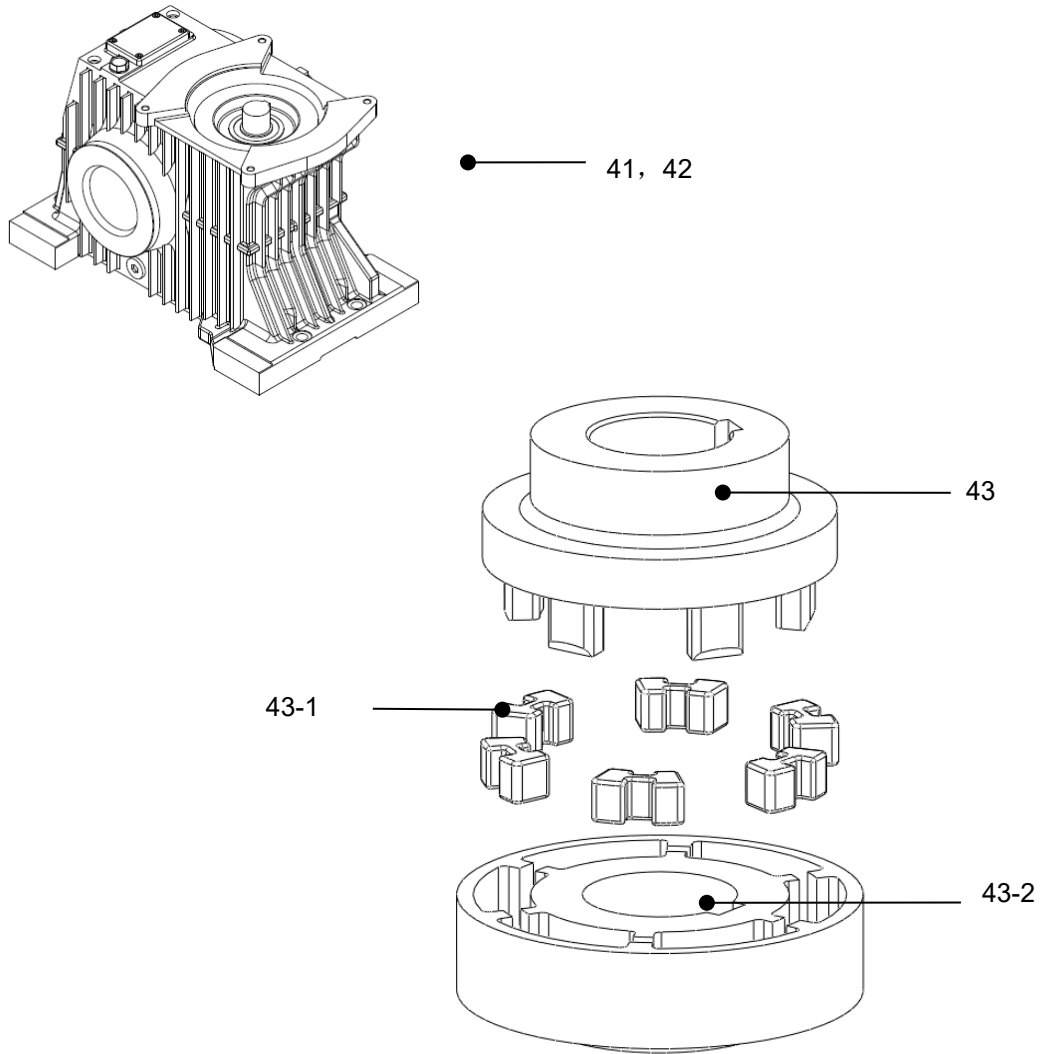
**Safety device**



<b>HAA20401M</b>		
<b>REF. No.</b>	<b>PART No.</b>	<b>DESCRIPTION</b>
31	GBA177HA1	Switch for brake lift monitor device
32	GAA174APJ4	Cable for brake lining monitor
33	GAA174APJ9	Cable for brake lining monitor
34	GAA174APJ10	Cable for brake lining monitor
35	HAA177CH1	Sensor for non-reversal device, 2 pieces
36	DAA316ADA1	Bracket
36-1	DAA316ACZ1	Bracket
37	DAA177AF1	Switch for handwheel safety contact
38	GOA177BX4	Switch for overspeed device
39	DAA316ACX1	Bracket for Handwheel safety device, indoor
39-1	DAA316ACX2	Bracket for Handwheel safety device, outdoor/ semi-outdoor
40	DAA176BB1	Connector housing

**ESCALATOR MACHINE**  
**EMC-W1-ANSI**  
**(13 kW)**

**Spare Parts Leaflet**  
**06-HAA20401M**  
**Apr. 11<sup>th</sup>, 2019 / Page 8 of 11**



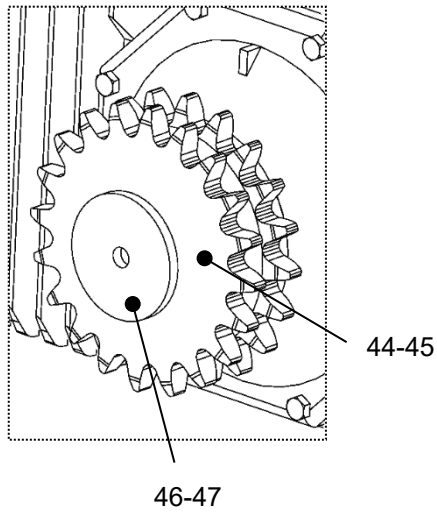
HAA20401M		
REF. No.	PART No.	DESCRIPTION
41	HAA20065B3	Gearbox (FTJ160R-1 for EMC-W1-ANSI), indoor
42	HAA20065B103	Gearbox (FTJ160R-1 for EMC-W1-ANSI), outdoor/ semi-outdoor
43	DAA218F1	Coupling, motor side
43-1	DAA320AZ1	Coupling, gearbox side Coupling bumper
43-2	DAA218G1	Coupling, gearbox side

**ESCALATOR MACHINE**  
**EMC-W1-ANSI**  
**(13 kW)**

**Spare Parts Leaflet**

**06-HAA20401M**

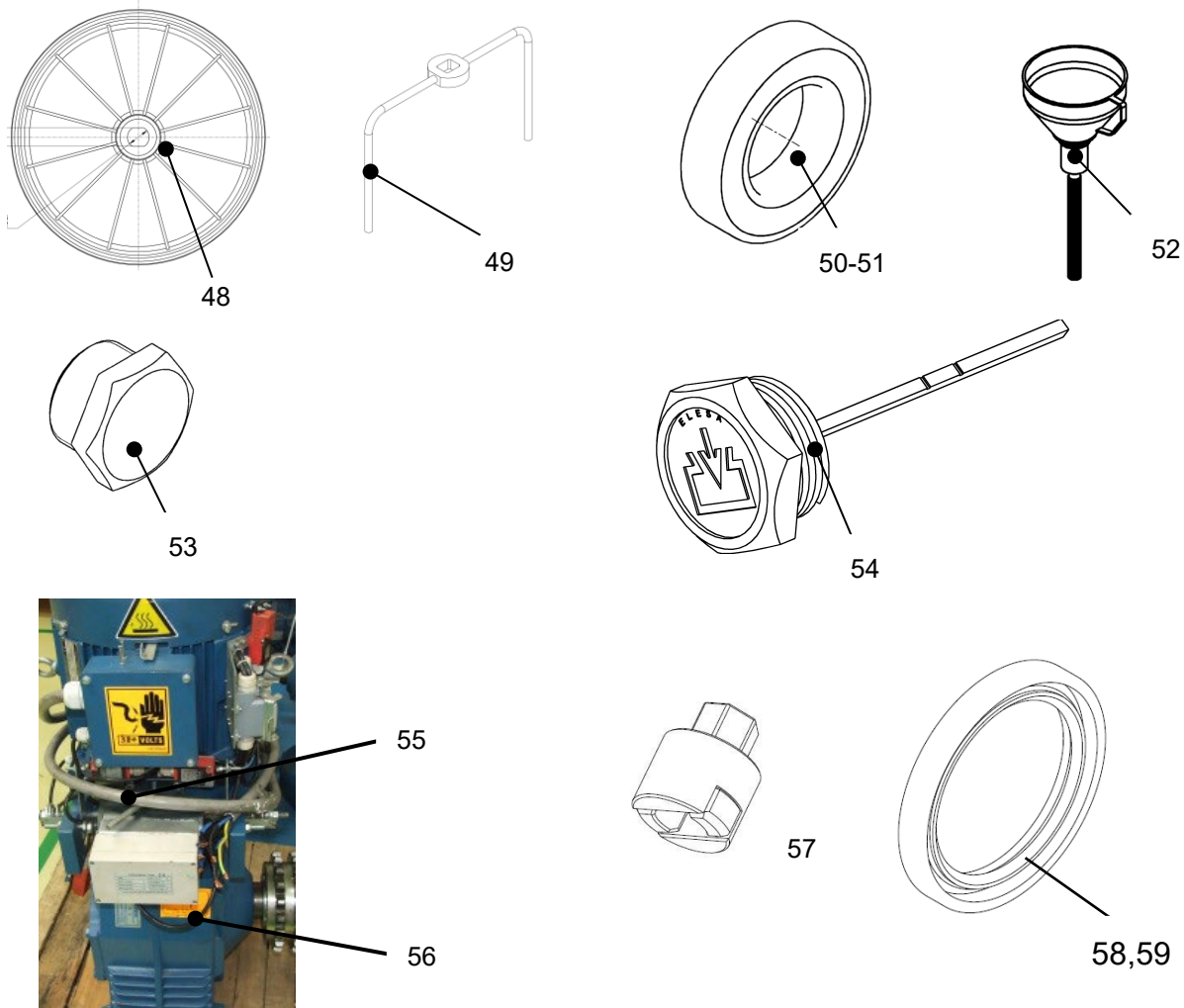
**Apr. 11<sup>th</sup>, 2019 / Page 9 of 11**



HAA20401M		
REF. No.	PART No.	DESCRIPTION
44	XAA195DP4	Sprocket, 19 teeth, Duplex for LINK
45	XAA195DP12	Sprocket, 19 teeth, Triplex for LINK
46	DAA131AX1	Sprocket holder, indoor
47	DAA131AX101	Sprocket holder, outdoor / semi-outdoor

**ESCALATOR MACHINE**  
**EMC-W1-ANSI**  
**(13 kW)**

**Spare Parts Leaflet**  
**06-HAA20401M**  
**Apr. 11<sup>th</sup>, 2019 / Page 10 of 11**



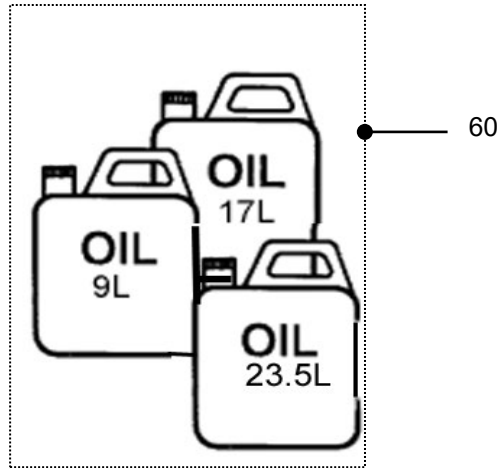
<b>HAA20401M</b>		
<b>REF. No.</b>	<b>PART No.</b>	<b>DESCRIPTION</b>
48	GAA28JC1	Handwheel
49	DAA20250E1	Brake release tool
50	NSK 6212ZZ	Motor bearing, lower
51	NSK 6210ZZ	Motor bearing, upper
52	DAA349A1	Funnel tube
53	GAA65ES1	Oil plunger (for transportation)
54	DAA65AW1	Oil plug
55	DAA174AFW2	Motor power supply cable
56	DAA174AFW11	Brake magnet power supply cable.
57	DAA270AK1	Wrench adapter
58	NAK-TC80X100X12-FKM	Seal for output shaft
59	NAK-TC50X70X8-FKM	Seal for input shaft

**ESCALATOR MACHINE  
EMC-W1-ANSI  
(13 kW)**

**Spare Parts Leaflet**

**06-HAA20401M**

**Apr. 11<sup>th</sup>, 2019 / Page 11 of 11**



HAA20401M		
REF. No.	PART No.	DESCRIPTION
60	GAA33BG2	Gearbox oil (Mobil Glygoyle 220, 12L, FTJ160R-1, EMC-W1 -ANSI machine)