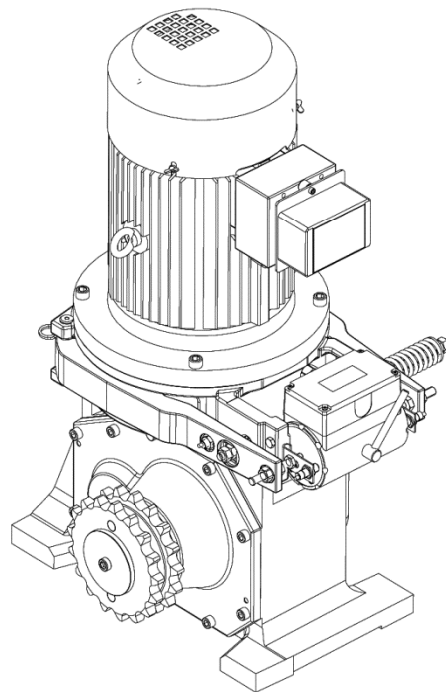


**Commercial Escalator  
Machine EC 2-7**

**Spare Parts Leaflet**

**06-GAA20401U**

**August 22, 2007 / Page 1 of 23**



**OTIS**

**Safety First!**

**SIT Guangzhou  
P.R. China  
Otis Elevator Company**

**Leaflet Description**

Escalator Machine EC2-7

**Leaflet Revisions**

<b>Date Revised</b>	<b>Subject Matter Expert</b>	<b>Reason for Revision</b>
August 22, 2007	He, Ruiqun	New SPL

**Related Drawings**

<b>Drawing No.</b>	<b>Title</b>	<b>Drawing No.</b>	<b>Title</b>
GAA20401U	Machine EC2-7		

**Related Documents**

<b>Document ID</b>	<b>Title</b>
GAA20401U-BD	Basic Data Document (Pegasus)

**Subject Matter Expert**

<b>Name</b>	<b>Department</b>
Tom Charney	OSC Service Engineering

**About Spare Parts Leaflets...**

This document lists the lowest replaceable units (LRUs) for the standard version of the product. The LRUs are chosen by a team of Otis associates representing engineering and manufacturing.

While goal of this document is to make parts identification as easy as possible, the document cannot be all-inclusive. Elevator and escalator contracts classified as “special” or “custom” are not addressed here. For such contracts, please refer to specified information, the contract folder, TIPs, Field Education Articles, Construction Letters, etc. for further information.

If you have any suggestions about this document, please contact the subject matter expert listed on this page.

## Type tag Gear box

---

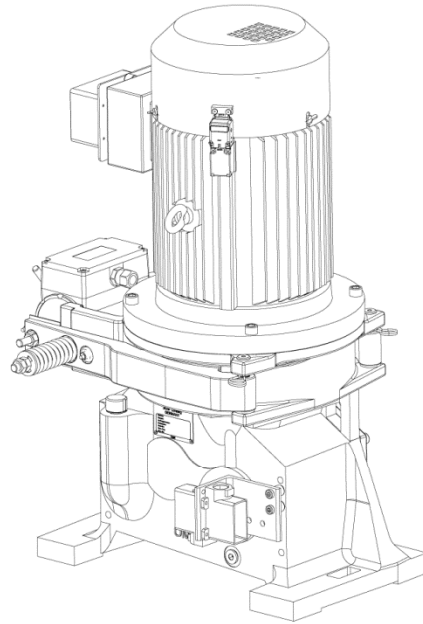
OMS no. gear

\_\_\_\_\_  
Delivery date

\_\_\_\_\_  
Contract no.

\_\_\_\_\_  
Type of gear

\_\_\_\_\_  
Gear ratio



MS-ANTRIEBSTECHNIK FRANKENBERG/HESSEN GERMANY	
OMS NO.	_____
DELIV-D	_____
UNIT NO.	_____
TYPE	_____
RATIO	_____

Type tag Motor

---

3 ~ motor

Motor no.

---

AF (KEF)

---

Type of motor

---

V / A

---

rpm / Hz

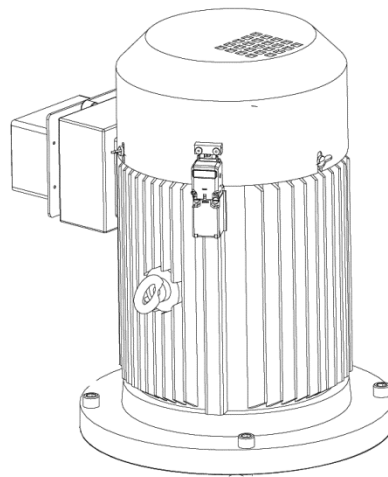
---

KW / S6-60% or S1

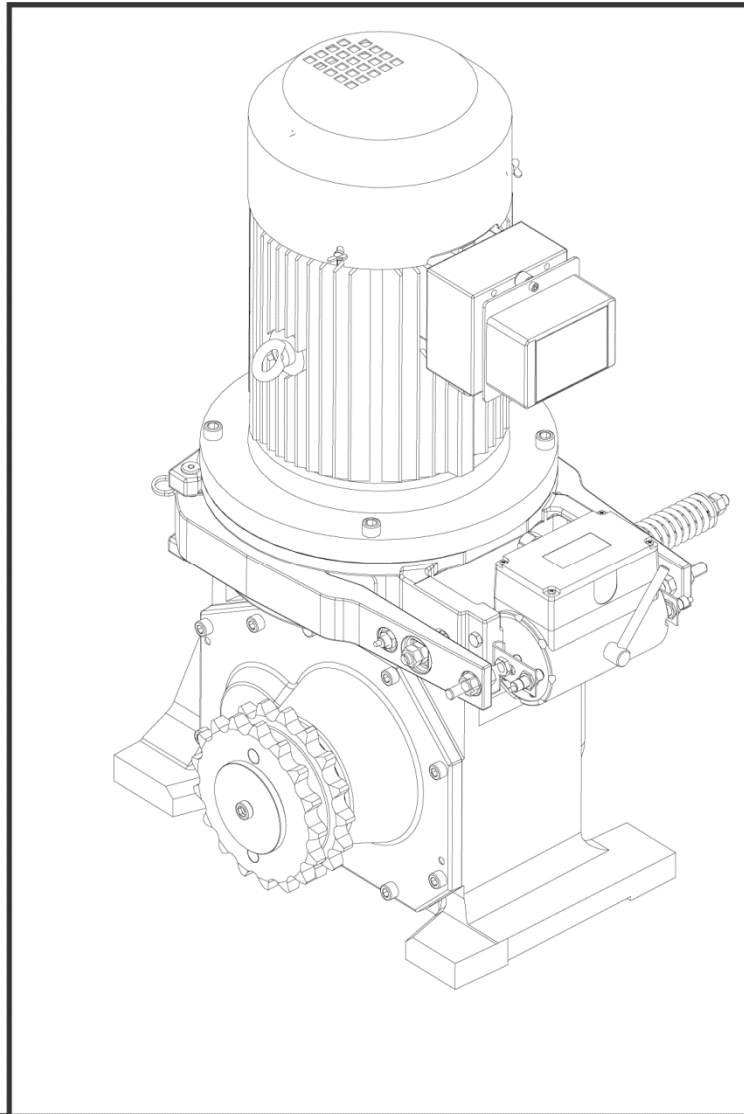
---

OMS Art. No.

---

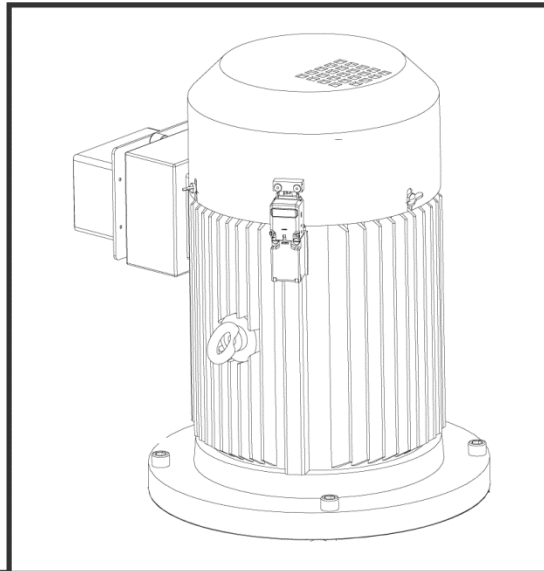


3 ~ Motor  
2128852101-1  
AF 225B/ ... IMV1 IP55  
380...415 V      xxx,x A  
xxxx 1/min cos 0,xx 50Hz  
○  
Schwingstärkestufe S  
WSK 160°C  
... kW S1  
Art. Nr. 3041    xxxxx



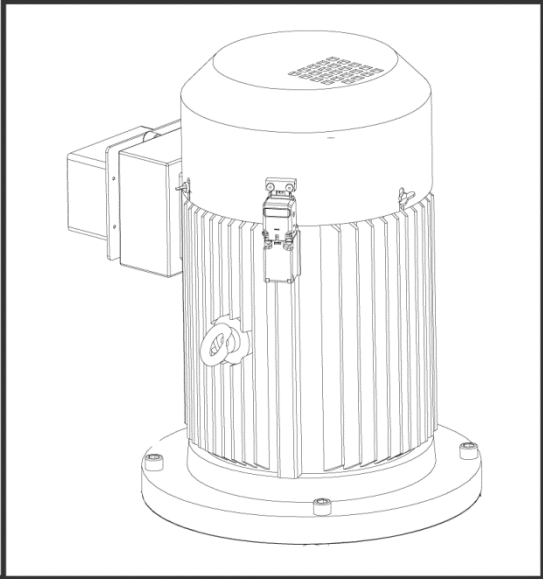
1

REF. No	PART No.	DESCRIPTION
1	GAA20401U	Specifications according to contract no. (please indicate contract no.)



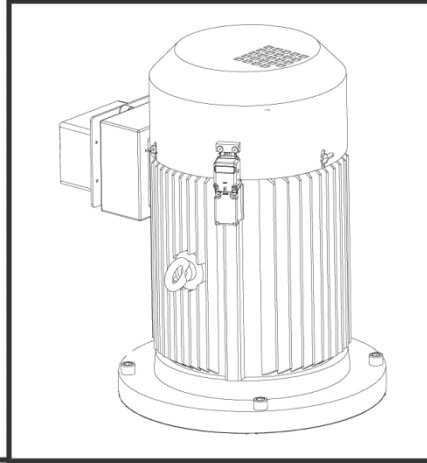
2-13

<b>REF. No.</b>	<b>PART No.</b>	<b>DESCRIPTION</b>
2	GAA20401T201	Motor (IEC, 5.5KW S6, 50Hz, 200 - 208V)
3	GAA20401T202	Motor (IEC, 5.5KW S6, 50Hz, 220 - 240V)
4	GAA20401T203	Motor (IEC, 5.5KW S6, 50Hz, 350V)
5	GAA20401T205	Motor (IEC, 5.5KW S6, 50Hz, 380 - 415V)
6	GAA20401T206	Motor (IEC, 5.5KW S6, 50Hz, 440V)
7	GAA20401T207	Motor (IEC, 5.5KW S6, 50Hz, 460 - 480V)
8	GAA20401T211	Motor (IEC, 7.5KW S6 [5.5kW S1], 50Hz, 200 - 208V)
9	GAA20401T212	Motor (IEC, 7.5KW S6 [5.5kW S1], 50Hz, 220 - 240V)
10	GAA20401T213	Motor (IEC, 7.5KW S6 [5.5kW S1], 50Hz, 350V)
11	GAA20401T215	Motor (IEC, 7.5KW S6 [5.5kW S1], 50Hz, 380 - 415V)
12	GAA20401T216	Motor (IEC, 7.5KW S6 [5.5kW S1], 50Hz, 440 V)
13	GAA20401T217	Motor (IEC, 7.5KW S6 [5.5kW S1], 50Hz, 460 - 480V)



14-25

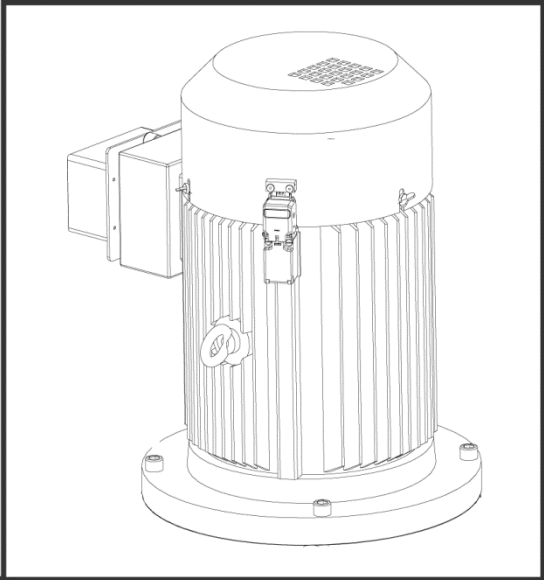
REF. No	PART No.	DESCRIPTION
14	GAA20401T221	Motor (IEC, 9.5KW S6 [7.5kW S1], 50Hz, 200 - 208V)
15	GAA20401T222	Motor (IEC, 9.5KW S6 [7.5kW S1], 50Hz, 220 - 240V)
16	GAA20401T223	Motor (IEC, 9.5KW S6 [7.5kW S1], 50Hz, 350V)
17	GAA20401T225	Motor (IEC, 9.5KW S6 [7.5kW S1], 50Hz, 380 - 415V)
18	GAA20401T226	Motor (IEC, 9.5KW S6 [7.5kW S1], 50Hz, 440V)
19	GAA20401T227	Motor (IEC, 9.5KW S6 [7.5kW S1], 50Hz, 460 - 480V)
20	GAA20401T231	Motor (IEC, 9.5KW S1, 50Hz, 200 - 208V)
21	GAA20401T232	Motor (IEC, 9.5KW S1, 50Hz, 220 - 240V)
22	GAA20401T233	Motor (IEC, 9.5KW S1, 50Hz, 350V)
23	GAA20401T235	Motor (IEC, 9.5KW S1, 50Hz, 380 - 415V)
24	GAA20401T236	Motor (IEC, 9.5KW S1, 50Hz, 440V)
25	GAA20401T237	Motor (IEC, 9.5KW S1, 50Hz, 460 - 480V)



26-43

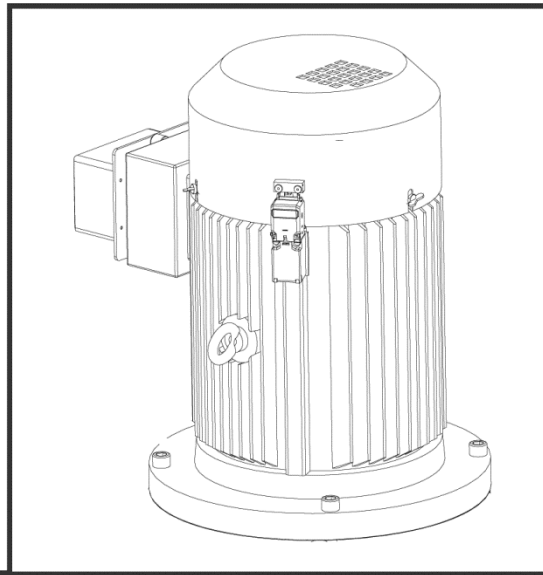
<b>REF. No.</b>	<b>PART No.</b>	<b>DESCRIPTION</b>
26	GAA20401T251	Motor (IEC, 5.5KW S6, 50Hz, 200 - 208V, 1000rpm)
27	GAA20401T252	Motor (IEC, 5.5KW S6, 50Hz, 220 - 240V, 1000rpm)
28	GAA20401T253	Motor (IEC, 5.5KW S6, 50Hz, 350V, 1000rpm)
29	GAA20401T255	Motor (IEC, 5.5KW S6, 50Hz, 380 - 415V, 1000rpm)
30	GAA20401T256	Motor (IEC, 5.5KW S6, 50Hz, 440V, 1000rpm)
31	GAA20401T257	Motor (IEC, 5.5KW S6, 50Hz, 460 - 480V, 1000rpm)
32	GAA20401T261	Motor (IEC, 7.5KW S6 [5.5kW S1], 50Hz, 200 - 208V, 1000rpm)
33	GAA20401T262	Motor (IEC, 7.5KW S6 [5.5kW S1], 50Hz, 220 - 240V, 1000rpm)
34	GAA20401T263	Motor (IEC, 7.5KW S6 [5.5kW S1], 50Hz, 350V, 1000rpm)
35	GAA20401T265	Motor (IEC, 7.5KW S6 [5.5kW S1], 50Hz, 380 - 415V, 1000rpm)
36	GAA20401T266	Motor (IEC, 7.5KW S6 [5.5kW S1], 50Hz, 440 V, 1000rpm)
37	GAA20401T267	Motor (IEC, 7.5KW S6 [5.5kW S1], 50Hz, 460 - 480V, 1000rpm)
38	GAA20401T271	Motor (IEC, 7.5KW S1, 50Hz, 200 - 208V, 1000rpm)
39	GAA20401T272	Motor (IEC, 7.5KW S1, 50Hz, 220 - 240V, 1000rpm)
40	GAA20401T273	Motor (IEC, 7.5KW S1, 50Hz, 350V, 1000rpm)
41	GAA20401T275	Motor (IEC, 7.5KW S1, 50Hz, 380 - 415V, 1000rpm)
42	GAA20401T276	Motor (IEC, 7.5KW S1, 50Hz, 440V, 1000rpm)
43	GAA20401T277	Motor (IEC, 7.5KW S1, 50Hz, 460 - 480V, 1000rpm)





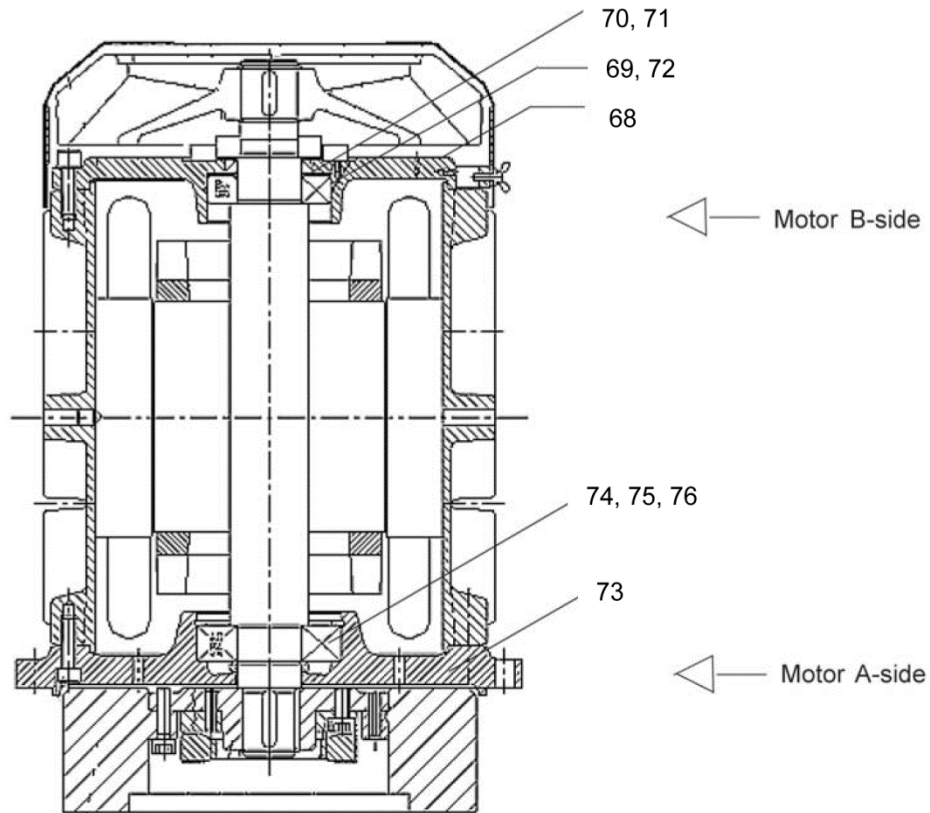
44-55

REF. No	PART No.	DESCRIPTION
44	GAA20401T301	Motor (IEC, 5.5KW S6, 60Hz, 200 - 208V)
45	GAA20401T302	Motor (IEC, 5.5KW S6, 60Hz, 220V)
46	GAA20401T305	Motor (IEC, 5.5KW S6, 60Hz, 380V)
47	GAA20401T306	Motor (IEC, 5.5KW S6, 60Hz, 440V)
48	GAA20401T307	Motor (IEC, 5.5KW S6, 60Hz, 460 - 480V)
49	GAA20401T308	Motor (IEC, 5.5KW S6, 60Hz, 575 - 600V)
50	GAA20401T311	Motor (IEC, 7.5KW S6 [5.5kW S1], 60Hz, 200 - 208V)
51	GAA20401T312	Motor (IEC, 7.5KW S6 [5.5kW S1], 60Hz, 220V)
52	GAA20401T315	Motor (IEC, 7.5KW S6 [5.5kW S1], 60Hz, 380V)
53	GAA20401T316	Motor (IEC, 7.5KW S6 [5.5kW S1], 60Hz, 440V)
54	GAA20401T317	Motor (IEC, 7.5KW S6 [5.5kW S1], 60Hz, 460 - 480V)
55	GAA20401T318	Motor (IEC, 7.5KW S6 [5.5kW S1], 60Hz, 575 - 600V)

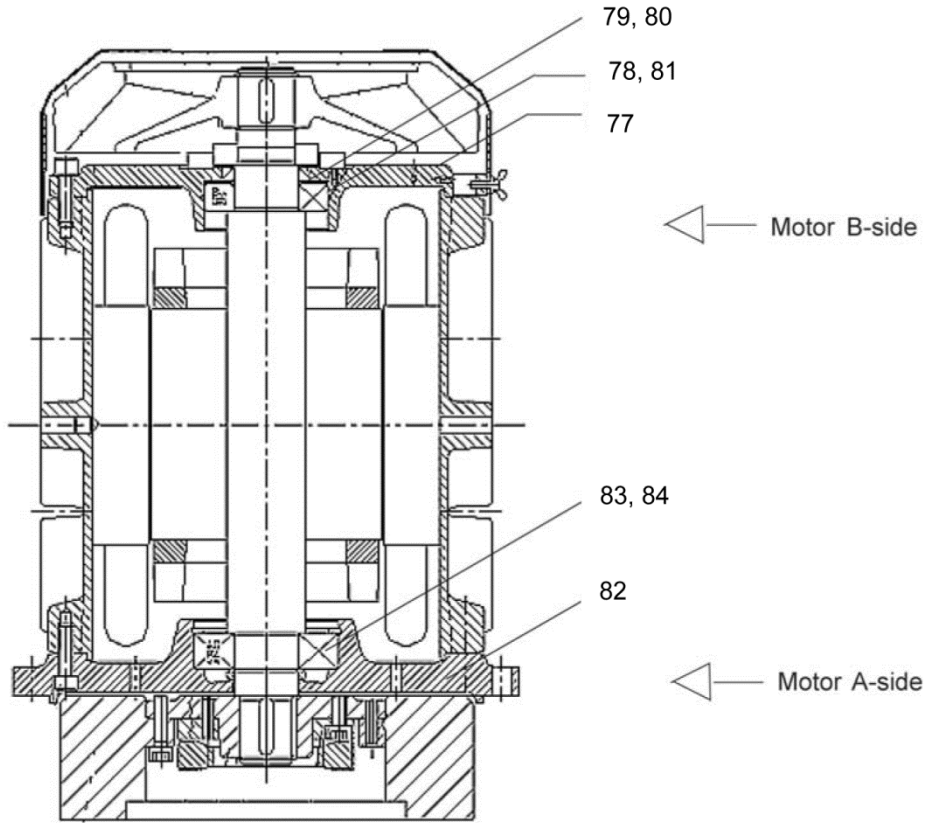


56-67

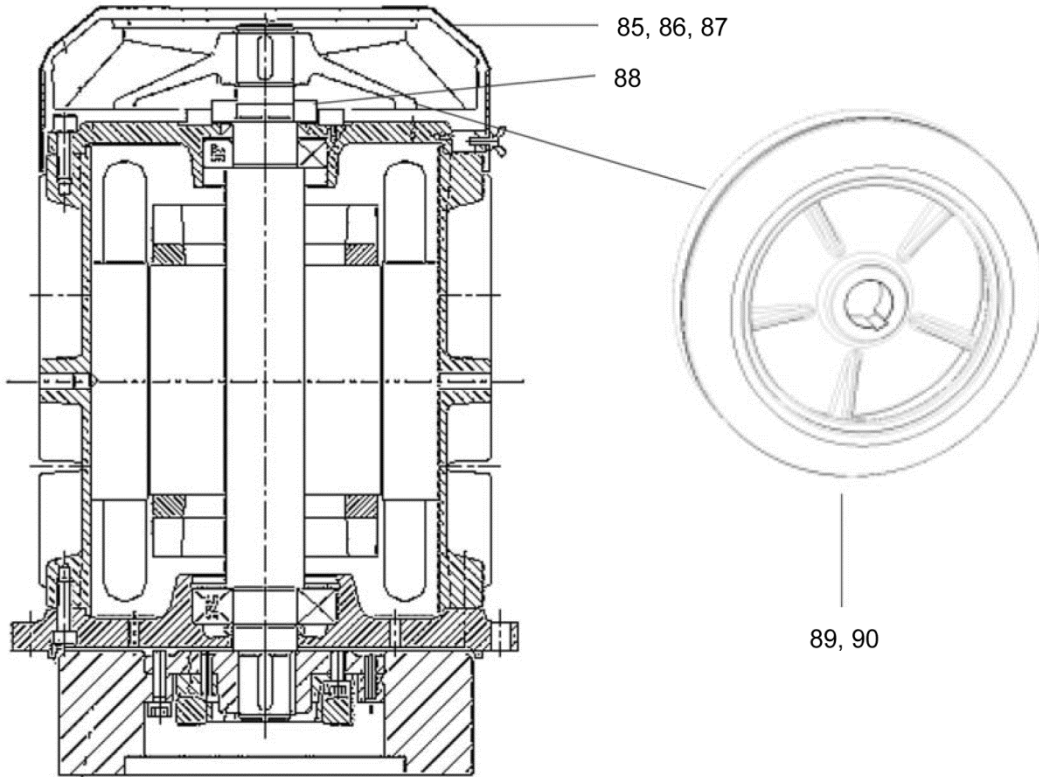
<b>REF. No.</b>	<b>PART No.</b>	<b>DESCRIPTION</b>
56	GAA20401T321	Motor (IEC, 9.5KW S6 [7.5kW S1], 60Hz, 200 - 208V)
57	GAA20401T322	Motor (IEC, 9.5KW S6 [7.5kW S1], 60Hz, 220V)
58	GAA20401T325	Motor (IEC, 9.5KW S6 [7.5kW S1], 60Hz, 380V)
59	GAA20401T326	Motor (IEC, 9.5KW S6 [7.5kW S1], 60Hz, 440V)
60	GAA20401T327	Motor (IEC, 9.5KW S6 [7.5kW S1], 60Hz, 460 - 480V)
61	GAA20401T328	Motor (IEC, 9.5KW S6 [7.5kW S1], 60Hz, 575 - 600V)
62	GAA20401T331	Motor (IEC, 9.5KW S1, 60Hz, 200 - 208V)
63	GAA20401T332	Motor (IEC, 9.5KW S1, 60Hz, 220V)
64	GAA20401T335	Motor (IEC, 9.5KW S1, 60Hz, 380V)
65	GAA20401T336	Motor (IEC, 9.5KW S1, 60Hz, 440V)
66	GAA20401T337	Motor (IEC, 9.5KW S1, 60Hz, 460 - 480V)
67	GAA20401T338	Motor (IEC, 9.5KW S1, 60Hz, 575 - 600V)



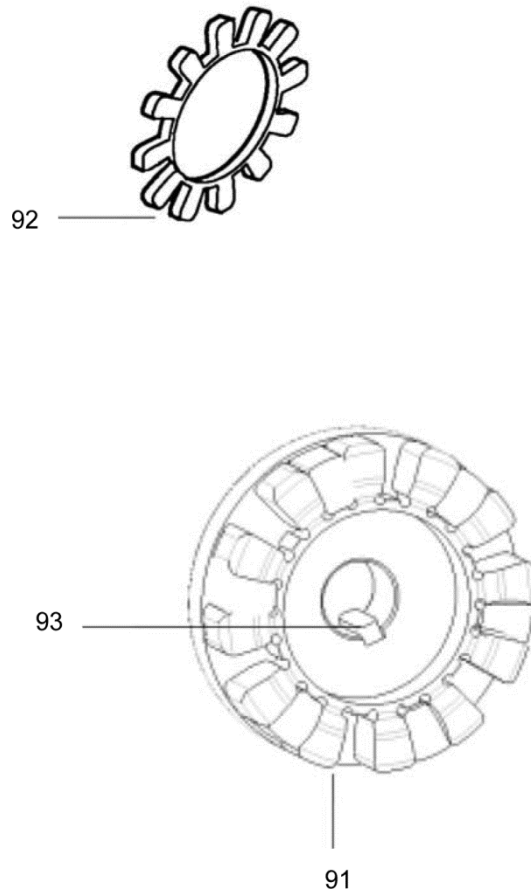
REF. No	PART No.	DESCRIPTION
68	GAA20401T360	End shield, placed at Motor B-side, type 132
69	GAA20401T361	Ball bearing, placed at Motor B-side, type 132
70	GAA20401T362	Rotary shaft seal, placed at Motor B-side, type 132
71	GAA20401T363	Ball bearing shim, placed at Motor B-side, type 132
72	GAA20401T364	Toroidal sealing ring, placed at Motor B-side, type 132
73	GAA20401T365	End shield, placed at Motor A-side, type 132
74	GAA20401T366	Ball bearing, placed at Motor A-side, type 132
75	GAA20401T367	V-seal ring, placed at Motor A-side, type AF 132
76	GAA20401U383	Rotary shaft seal, placed at Motor A-side, type KEF132



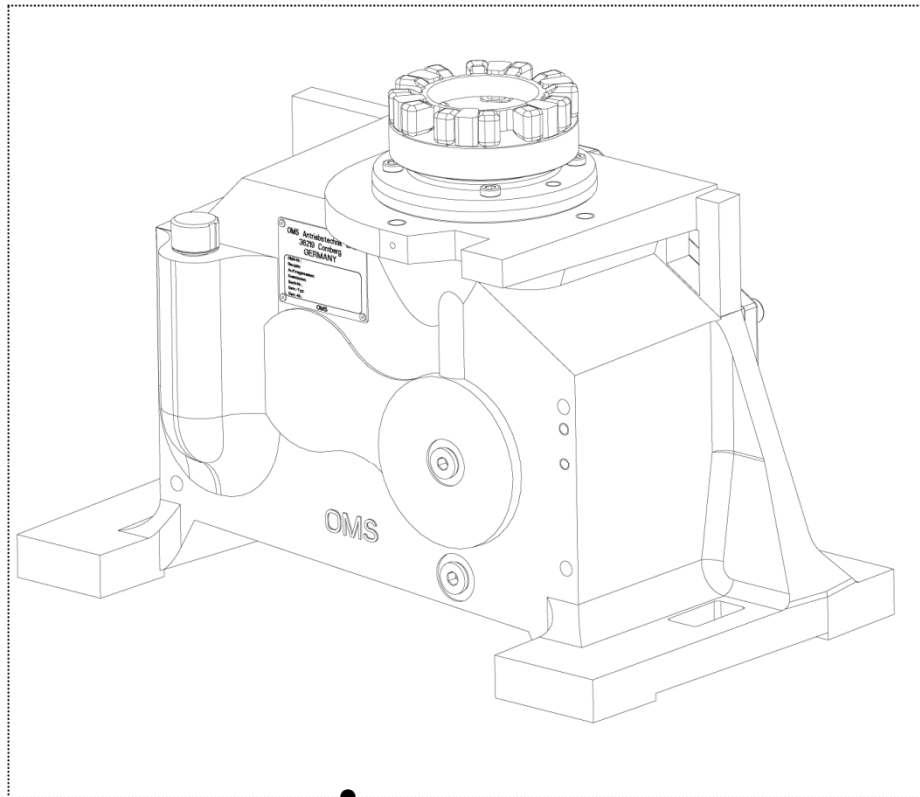
REF. No.	PART No.	DESCRIPTION
77	GAA20401T368	End shield, placed at Motor B-side, type 160
78	GAA20401T369	Ball bearing, placed at Motor B-side, type 160
79	GAA20401T370	Rotary shaft seal, placed at Motor B-side, type 160
80	GAA20401T371	Ball bearing shim, placed at Motor B-side, type 160
81	GAA20401T372	Toroidal sealing ring, placed at Motor B-side, type 160
82	GAA20401T373	End shield, placed at Motor A-side, type 160
83	GAA20401T374	Ball bearing, placed at Motor A-side, type 160
84	GAA20401T375	V-seal ring, placed at Motor A-side, type 160



REF. No	PART No.	DESCRIPTION
85	GAA20401T380	Cover for motor type AF 132
86	GAA20401U382	Cover for motor type KEF 132
87	GAA20401T376	Cover for motor type 160
88	GAA20401T621	Shaft encoder (type ITD67A4Y12)
89	GAA20401T381	Fan for motor type 132 (w/ retaining ring DIN471 35x1.75 & feather key)
90	GAA20401T377	Fan for motor type 160 (w/ retaining ring DIN471 35x1.75 & feather key)

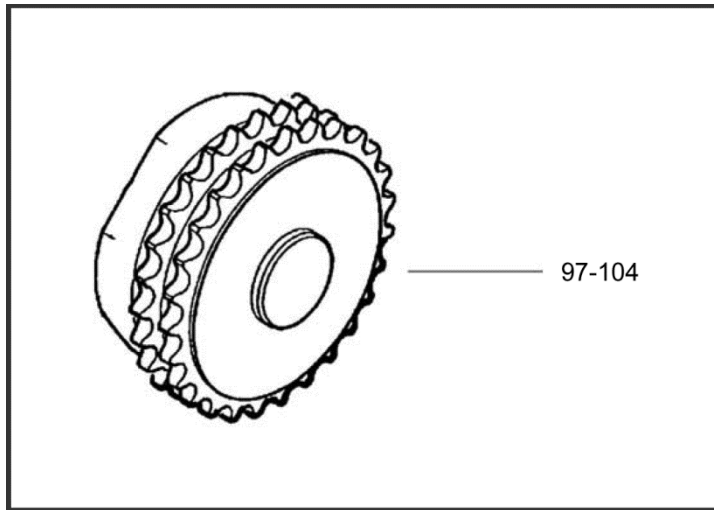


<b>REF. No.</b>	<b>PART No.</b>	<b>DESCRIPTION</b>
91	GAA20401T026	Claw flange on gear
92	GAA20401T027	Motor coupling clutch-buffer ring
93	GAA20401T028	Feather key DIN6885 AB 8x7x26



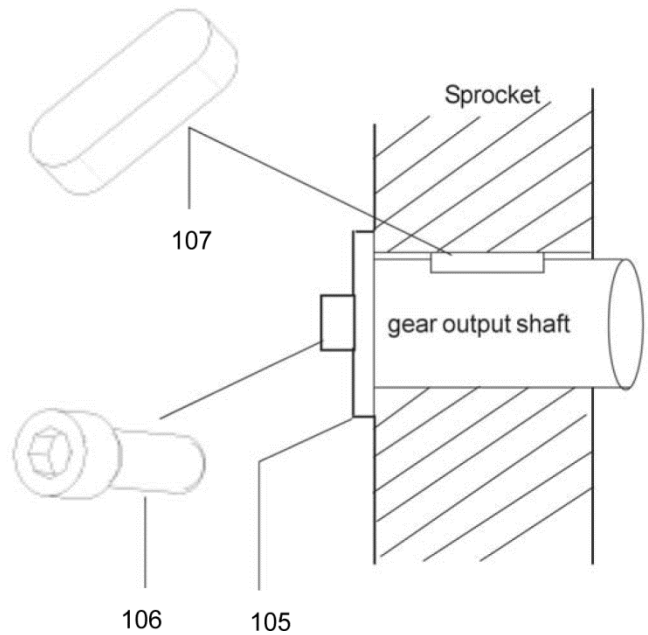
●  
|  
94-96

REF. No	PART No.	DESCRIPTION
94	GAA20401U100	Gear case, ratio: $i=19.44$ complete with claw flange and buffer ring
95	GAA20401U101	Gear case, ratio: $i=27.56$ complete with claw flange and buffer ring
96	GAA20401U102	Gear case, ratio: $i=22.42$ complete with claw flange and buffer ring

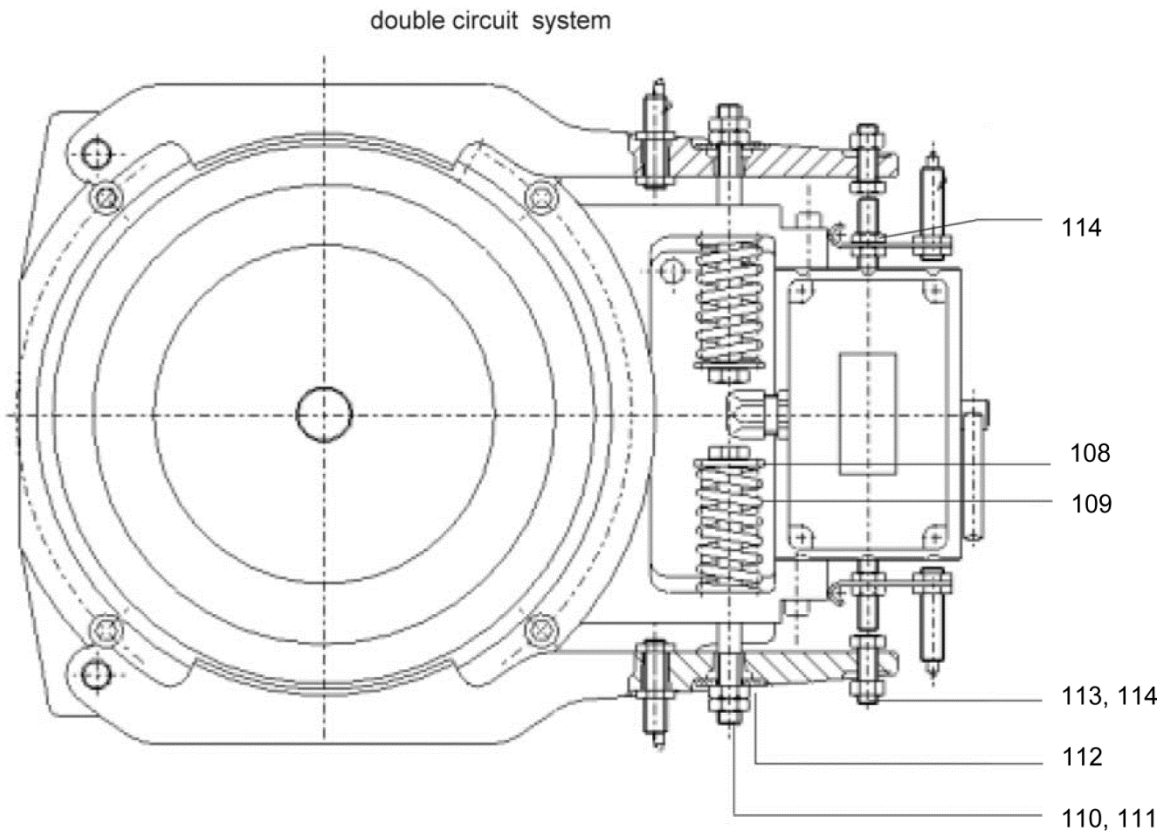


<b>REF. No.</b>	<b>PART No.</b>	<b>DESCRIPTION</b>	<b>ARRANGEMENT</b>
97	GAA20401T401	Sprocket, 17 teeth	DIN8187 / DIN8188 1 1/4" duplex
98	GAA20401T402	Sprocket, 18 teeth	
99	GAA20401T403	Sprocket, 19 teeth	
100	GAA20401T404	Sprocket, 20 teeth	
101	GAA20401T405	Sprocket, 21 teeth	
102	GAA20401T406	Sprocket, 22 teeth	
103	GAA20401T407	Sprocket, 23 teeth	
104	GAA20401T408	Sprocket, 25 teeth	

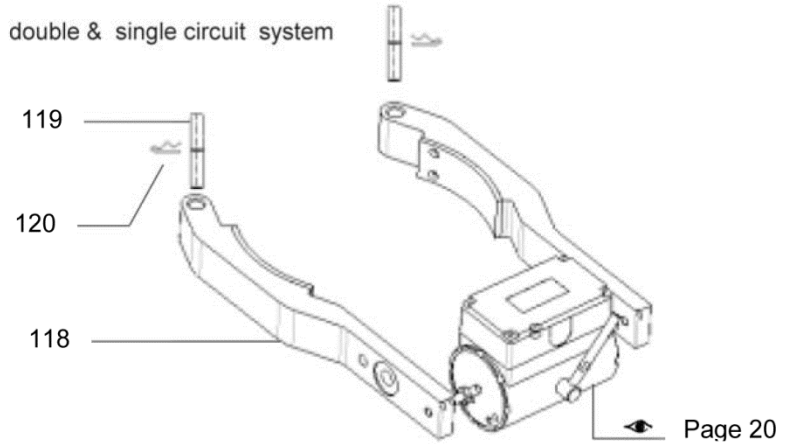
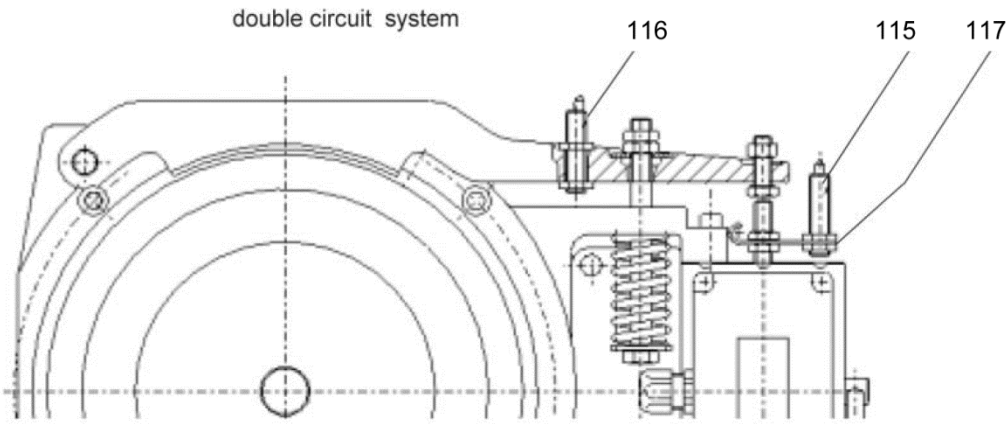




REF. No	PART No.	DESCRIPTION
		add. Parts for sprockets
105	GAA20401T451	Pressure disk No.1
106	GAA20401T452	Socket head cap screw M12x35
107	GAA20401T453	Feather key AB18x11x55

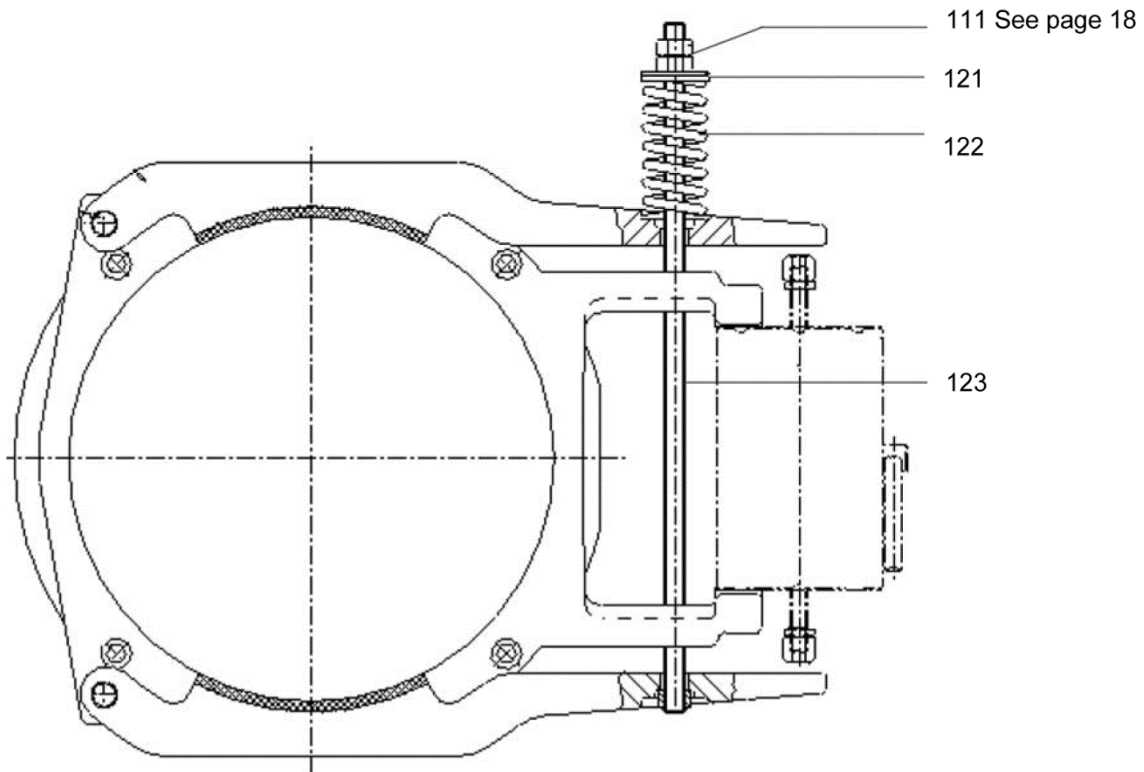


REF. No.	PART No.	DESCRIPTION	ARRANGEMENT
108	GAA20401T013	Spring collar No.2 (1 piece)	For double circuit system
109	GAA20401T015	Pressure spring 35x70x5 (1 piece)	
110	GAA20401T016	Hexagon head screw ISO4017-M12x140 (1 piece)	
111	GAA20401T017	Hexagon nut M12 (1 piece)	
112	GAA20401T018	Washer $\Phi 13 \times \Phi 37 \times 3$ DIN9021 (1 piece)	
113	GAA20401T019	Hexagon head screw ISO4017-M10x50 (1 piece)	
114	GAA20401T020	Hexagon nut M10 (1 piece)	

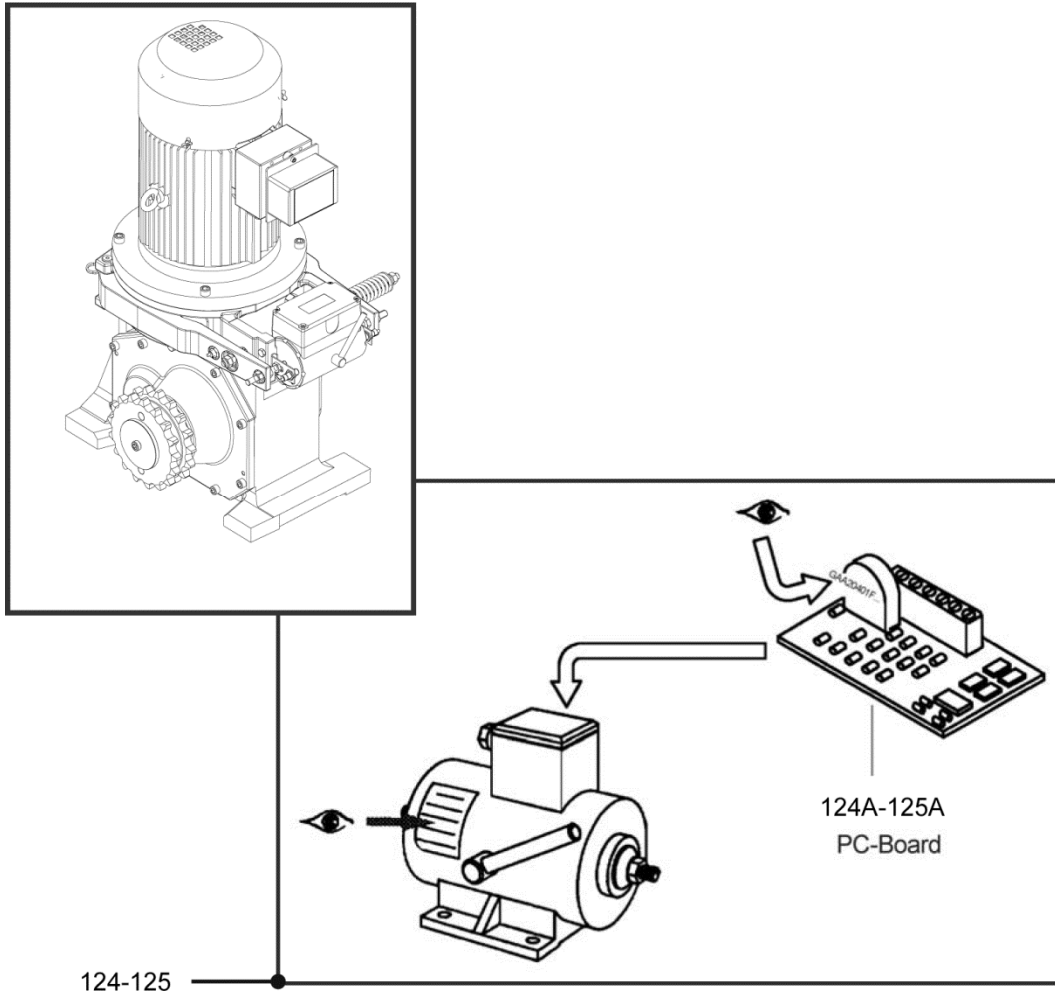


REF. No	PART No.	DESCRIPTION	ARRANGEMENT
115	GAA20401T601	Brake function control sensor M12x40, make contact (w/ 0.93m cable & plug)	For double circuit system
116	GAA20401T603	Brake lining wear control sensor M12x40, make contact (w/ 0.93m cable & plug)	
117	GAA20401T605	Holder for sensor, REF. No. 59 (1 piece)	
118	GAA20401T010	Brake lever w/ brake lining (1 piece)	For double & single circuit system
119	GAA20401T012	Pin (1 piece)	
120	GAA20401T014	W-clip (1 piece)	

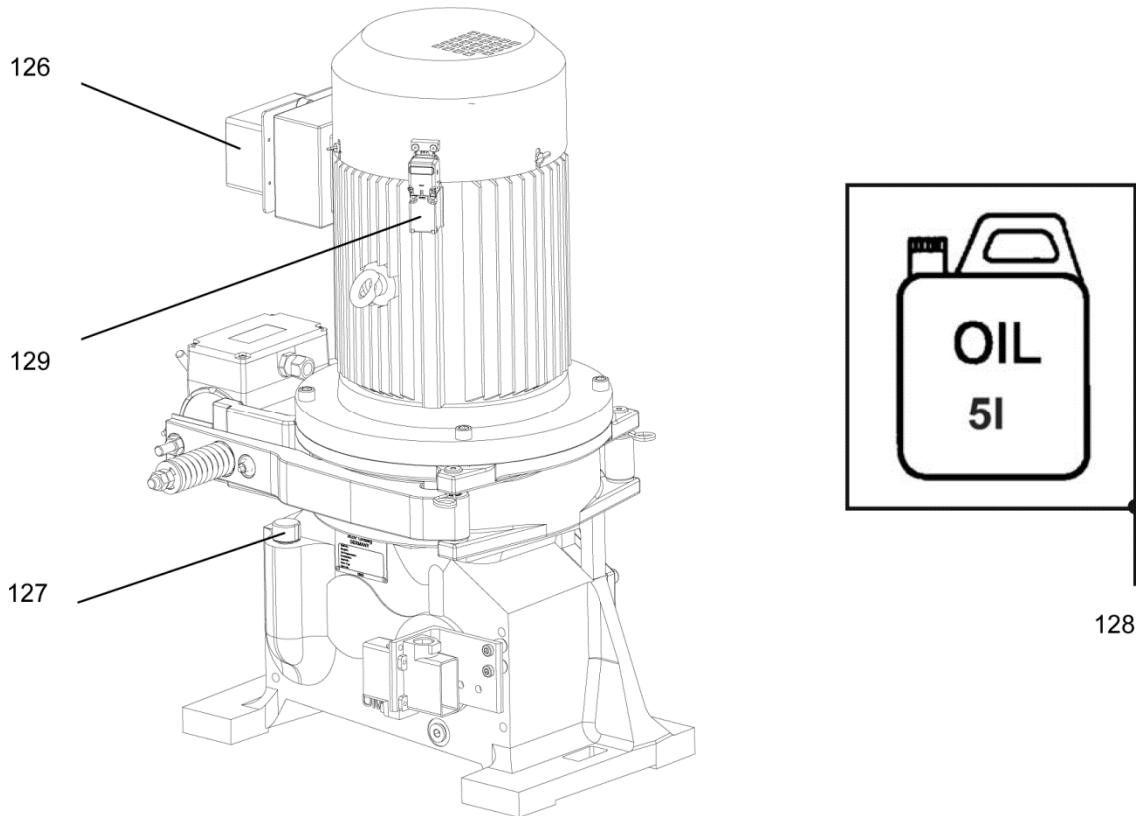
single circuit system



REF. No.	PART No.	DESCRIPTION	ARRANGEMENT
121	GAA20401T022	Spring collar No. (1 piece)	For single circuit system
122	GAA20401T023	Pressure spring 5.5x32.5 L0=92mm (1 piece)	
123	GAA20401T024	Brake rod L=420mm (1 piece)	



REF. No	PART No.	DESCRIPTION	ARRANGEMENT
124	GAA20401F551	Brake solenoid O-21H 230V	Single circuit system with overexcitation
124A	GAA20401F581	PC-board for GAA20401F551	
125	GAA20401F552	Brake solenoid O-22H 230V (1 piece)	Double circuit system with overexcitation
125A	GAA20401F582	PC-board for GAA20401F552 (1 piece)	



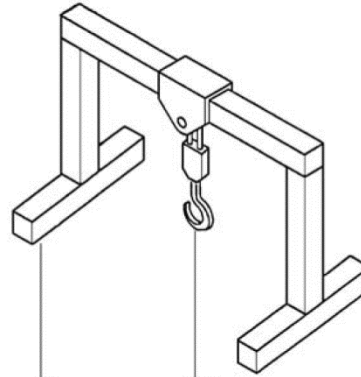
REF. No.	PART No.	DESCRIPTION
126	GAA20401T629	Terminal box with divider & signal converter
127	GAA20401U001	Oil-level indicator
128	GAA20401T002	Oil, 5l synthetic oil, OTIS No. 54
129	GAA20401F023	Safety switch, (preventing manipulation at cover)



136

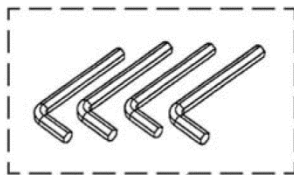


135

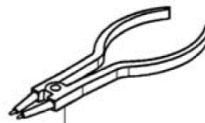


130

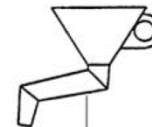
132



134



133



131

REF. No	PART No.	DESCRIPTION
130	GAA20401B773	Assembly stand
131	GAA20401B775	Funnel tube
132	GAA20401B772	Lifting device
133	GAA20401B764	Retaining ring pliers
134	GAA20401B770	Set: Allen key
135	GAA20401B766	Screw retaining paste
136	GAA20401B771	Torque wrench 50-200Nm