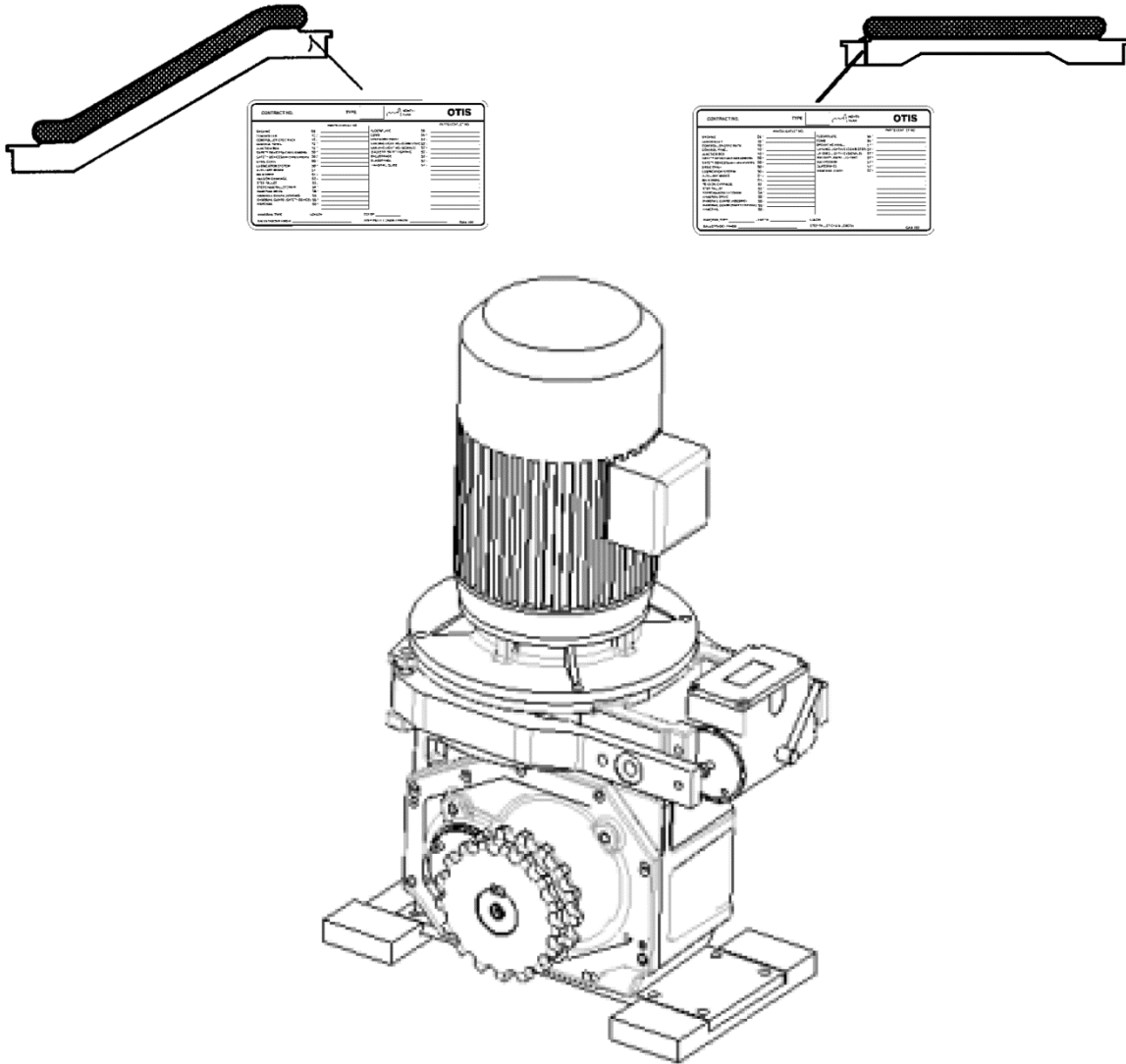


Escalator/Trav-O-Lator® Machine EC 2-7

Spare Parts Leaflet

06-GAA20401T

07/01/2003 / Page 1 of 22



OTIS

ENGINEERING
Otis Escalator Systems
Stadthagen Germany

Leaflet Description

This document shows a new machine for Escalators and Trav-O-Lators®.

Leaflet Revisions

Date Revised	Subject Matter Expert	Reason for Revision
April 11, 2003	Wilfried Gohlke	New SPL
July 1, 2003	Wilfried Gohlke	Updated Information

Related Drawings

Drawing No.	Title	Drawing No.	Title
GAA20401T	Machine EC 2-7		

Related Documents

Document ID	Title
	Title

Subject Matter Expert

Name	Department
Thorsten Ackmann	Engineering Stadthagen, Germany

About Spare Parts Leaflets...

This document lists the lowest replaceable units (LRUs) for the standard version of the product. The LRUs are chosen by a team of Otis associates representing engineering and manufacturing.

While goal of this document is to make parts identification as easy as possible, the document cannot be all-inclusive. Elevator and escalator contracts classified as “special” or “custom” are not addressed here. For such contracts, please refer to specified information, the contract folder, TIPS, Field Education Articles, Construction Letters, etc. for further information.

If you have any suggestions about this document, please contact the subject matter expert listed on this page.

Type tag Gear box

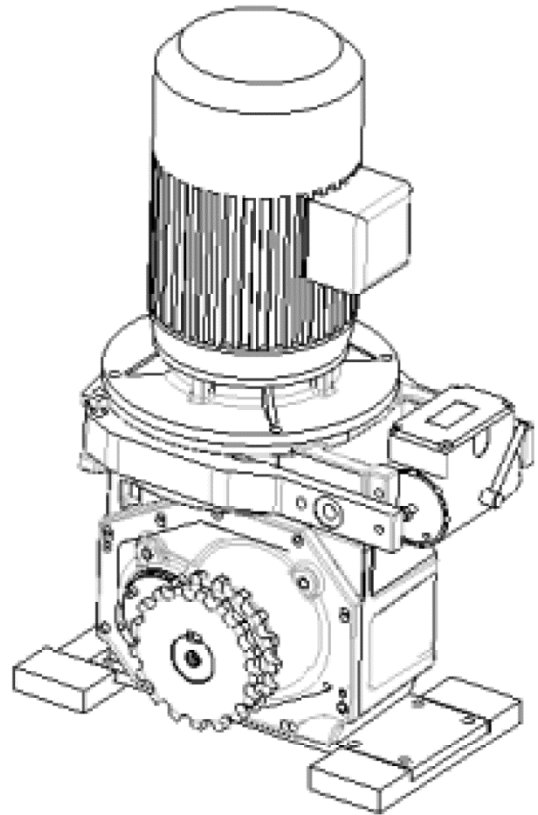
OMS no. gear

Delivery date

contract no.

type of gear

gear ratio



MS-ANTRIEBSTECHNIK FRANKENBERG/HESSEN GERMANY	
OMS NO	
DELIV-D	
UNIT NO	
TYPE	
RATIO	

Type tag Motor

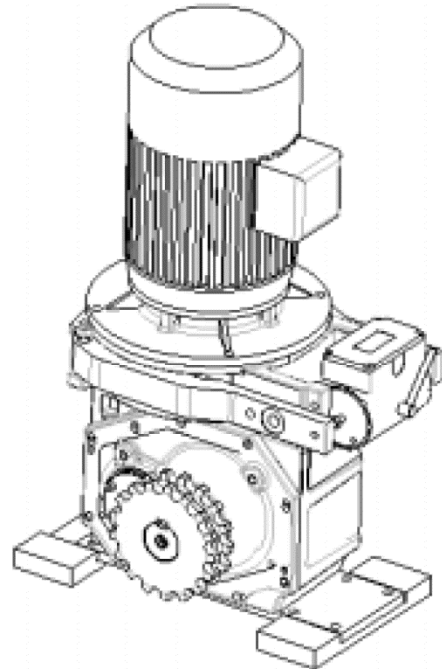
OMS no. motor


_____ Delivery date

_____ contract no.

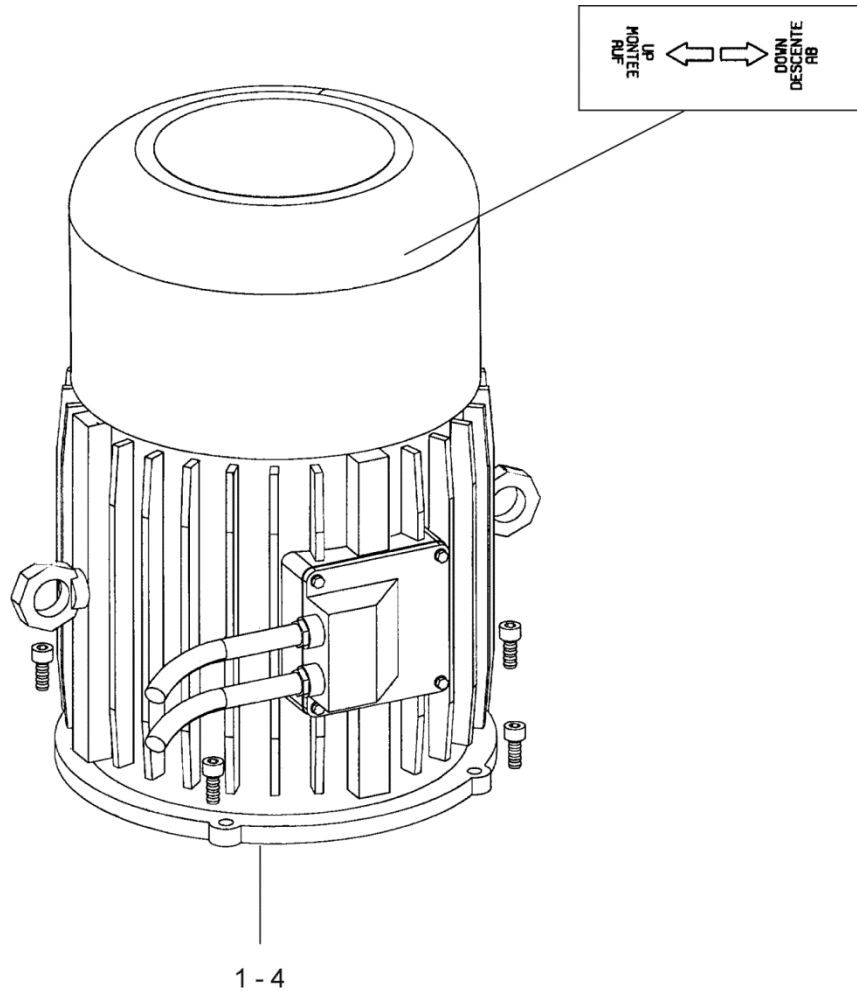
_____ type of motor

_____ kW _____
_____ V _____
_____ Hz _____

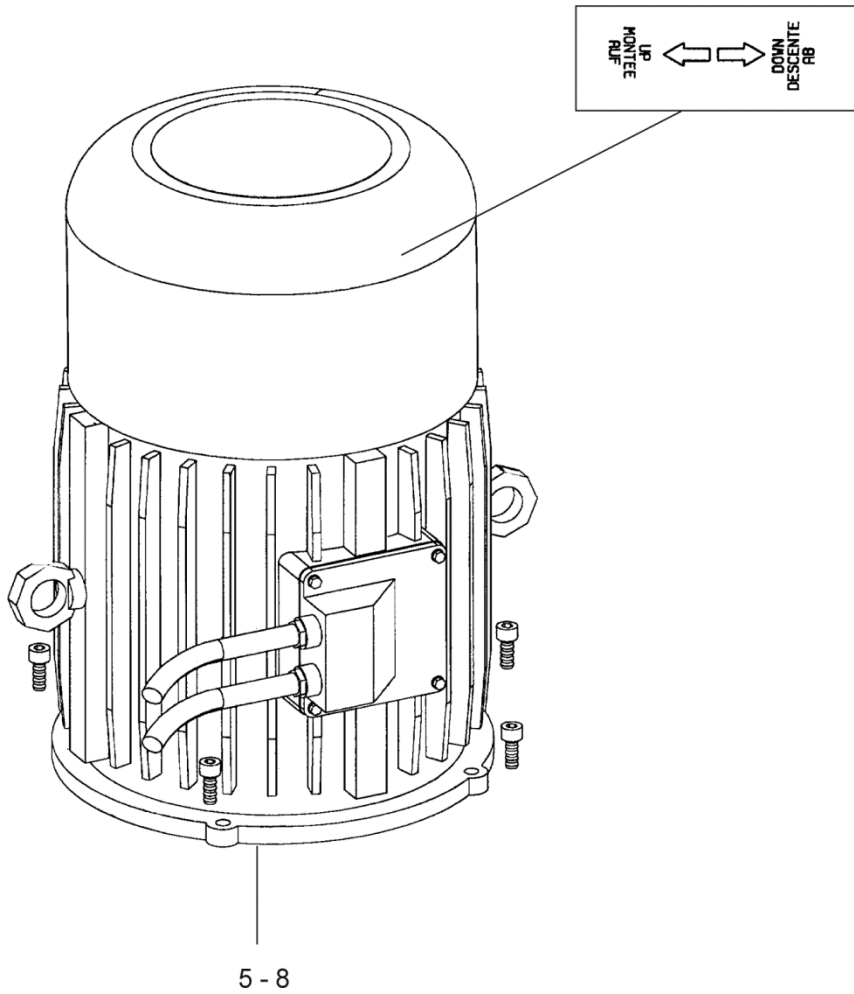


○ OMS ANTRIEBSTECHNIK ○ 6441 KORNBERG/HESSEN GERMANY	
OMS NO	_____
DELIV-D	_____
UNIT NO	_____
TYPE	_____
KW	_____
S6	_____
HZ	_____ V
A	COS PHI _____
	_____ /MM
INSUL.CL	F 105° C
PROTEC.CL	IP55
○  ○	

Escalator/Trav-O-Lator[®] Machine EC 2-7 **06-GAA20401T**



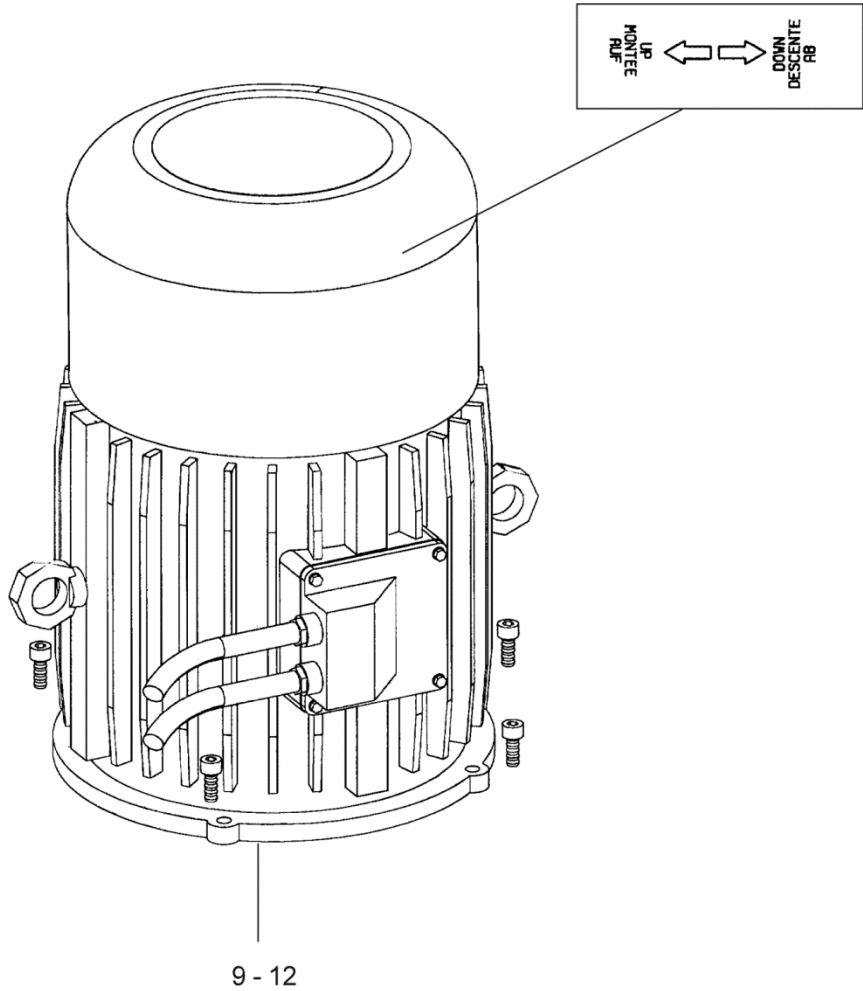
		MOTOR TYPE AF132 FREQUENCY 50 Hz / 1500 rpm				
		VOLTAGE (V)	VOLTAGE (V)	VOLTAGE (V)	VOLTAGE (V)	ARR. A
REF. No.	PART No.	200-208	220-240	350	380-415	MOTOR kW
1	GAA20401T...	...201	...202	...203	...205	5.5
2	GAA20401T...	...211	...212	...213	...215	7.5
3	GAA20401T...	...221	...222	...223	...225	9.5
4	GAA20401T...	...231	...232	...233	...235	11.0



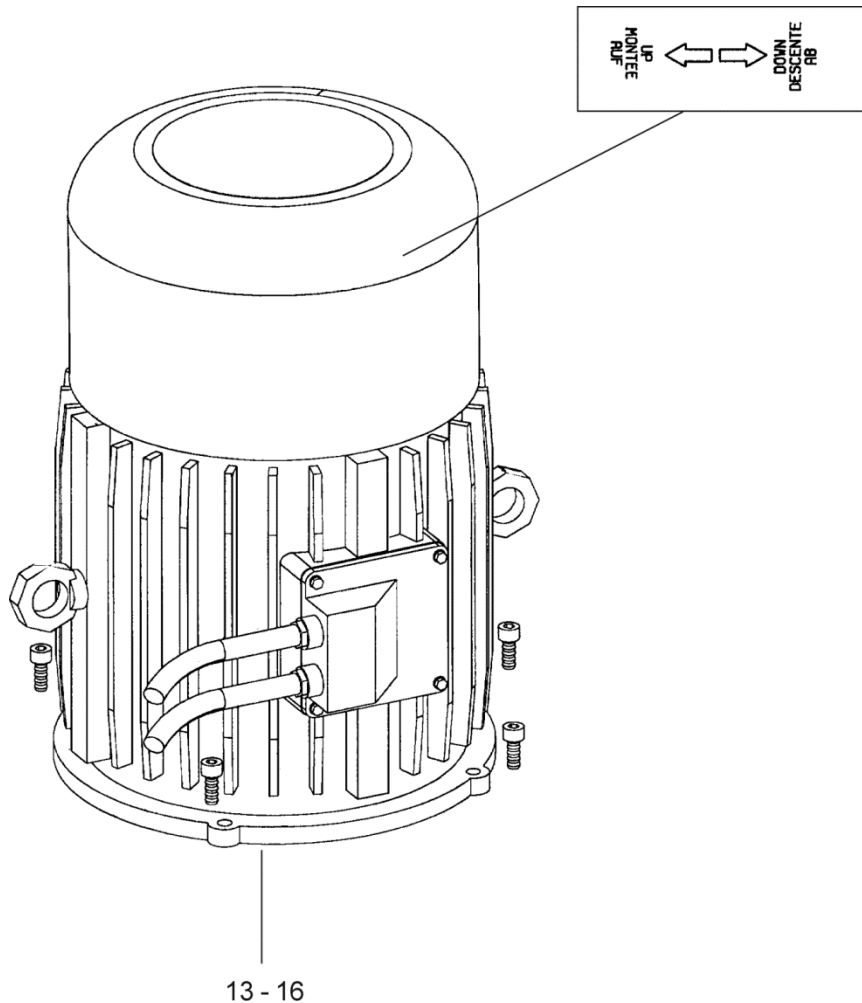
		MOTOR TYPE AF132 FREQUENCY 50 Hz / 1500 rpm				
		VOLTAGE (V)	VOLTAGE (V)	VOLTAGE (V)	VOLTAGE (V)	ARR. A
REF. No.	PART No.	440	460-480	---	---	MOTOR kW
5	GAA20401T...	...206	...202	---	---	5.5
6	GAA20401T...	...216	...217	---	---	7.5
7	GAA20401T...	...226	...227	---	---	9.5
8	GAA20401T...	...236	...237	---	---	11.0

Escalator/Trav-O-Lator[®] Machine EC 2-7

06-GAA20401T

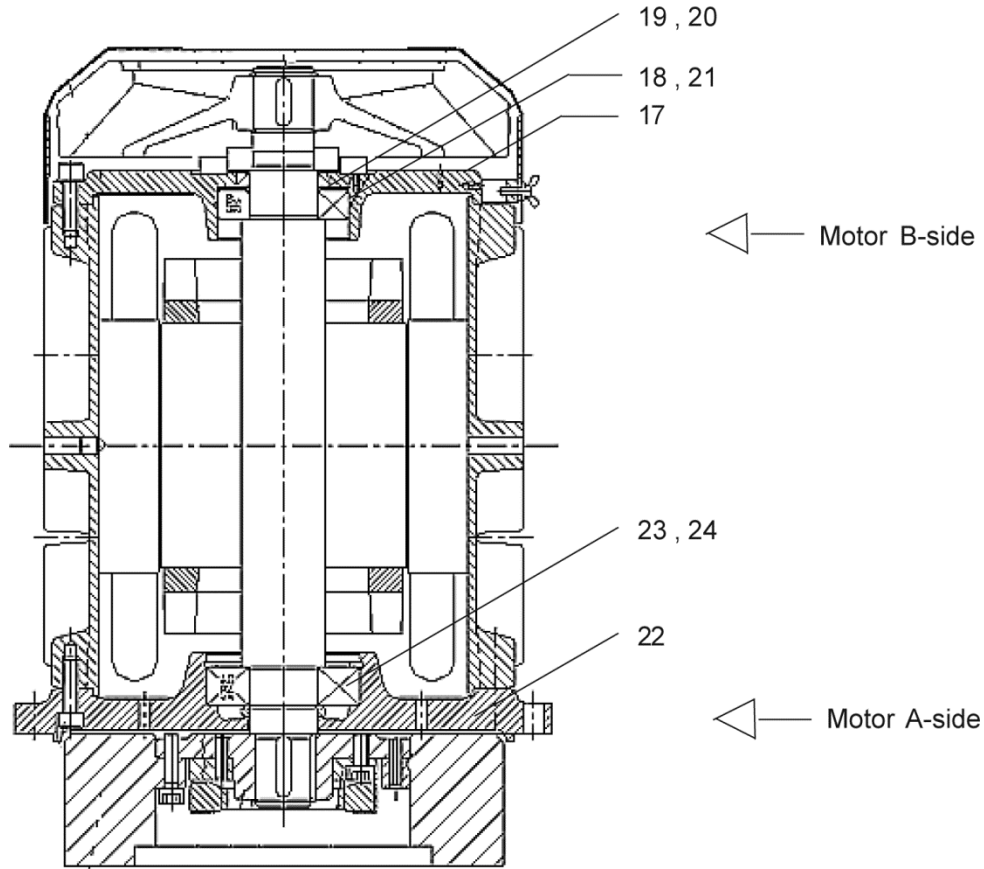


		MOTOR TYPE AF132 FREQUENCY 60 Hz / 1200 rpm				
		VOLTAGE (V)	VOLTAGE (V)	VOLTAGE (V)	VOLTAGE (V)	ARR. A
REF. No.	PART No.	200-208	220	380	440	MOTOR kW
9	GAA20401T...	...301	...302	...305	...306	5.5
10	GAA20401T...	...311	...312	...315	...316	7.5
		MOTOR TYPE AF160 FREQUENCY 60 Hz / 1200 rpm				
11	GAA20401T...	...321	...322	...325	...326	9.5
12	GAA20401T...	...331	...332	...335	...336	11.0

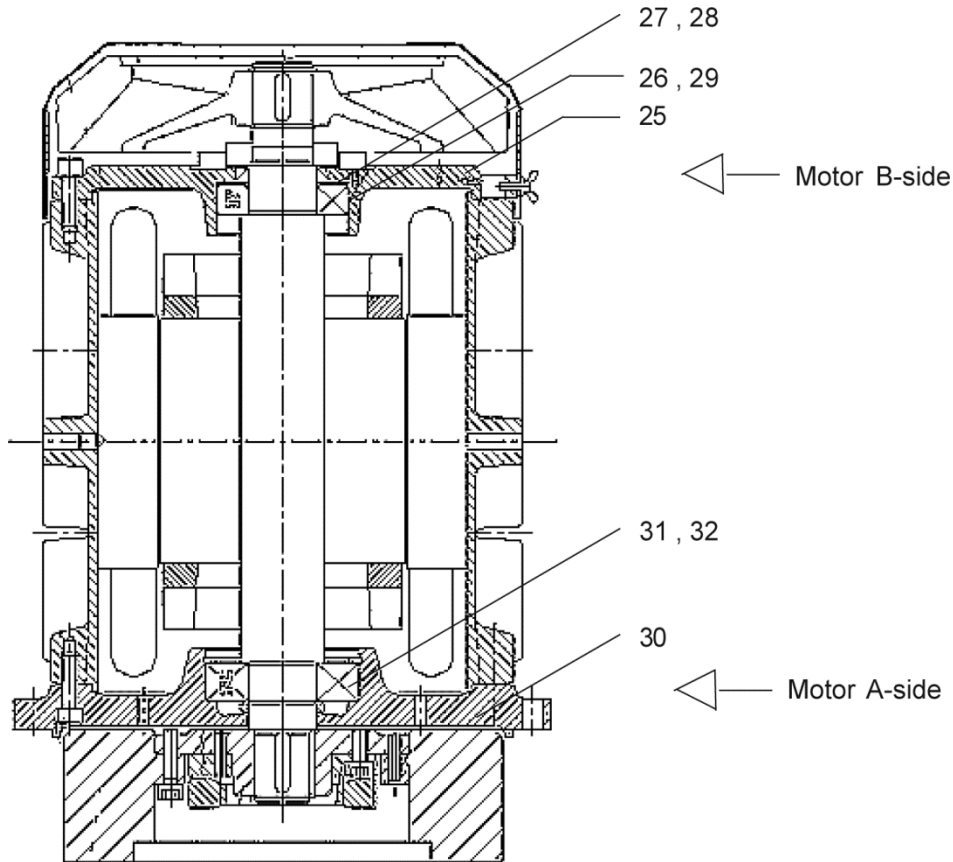


		MOTOR TYPE AF132 FREQUENCY 60 Hz / 1200 rpm				
		VOLTAGE (V)	VOLTAGE (V)	VOLTAGE (V)	VOLTAGE (V)	ARR. A
REF. No.	PART No.	460-480	575-600	---	--	MOTOR kW
13	GAA20401T...	...307	...308	---	---	5.5
14	GAA20401T...	...317	...318	---	---	7.5
		MOTOR TYPE AF160 FREQUENCY 60 Hz / 1200 rpm				
15	GAA20401T...	...327	...328	---	---	9.5
16	GAA20401T...	...337	...338	---	---	11.0

Escalator/Trav-O-Lator[®] Machine EC 2-7 **06-GAA20401T**

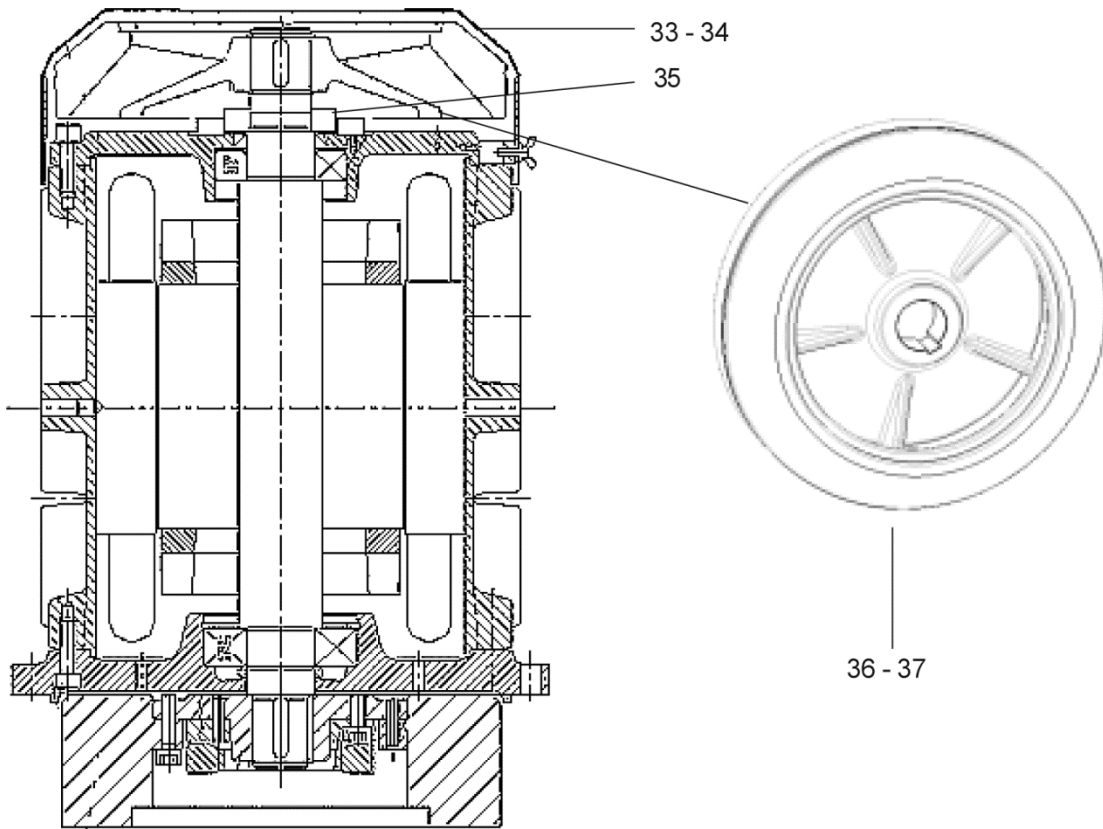


GAA20401T		For E-Motor Type 132	
REF. No.	PART No.	DESCRIPTION	PLACED
17	GAA20401T360	End Shield	Motor B-Side
18	GAA20401T361	Ball Bearing	
19	GAA20401T362	Rotary Shaft Seal	
20	GAA20401T363	Ball Bearing Shim	
21	GAA20401T364	Toroidal Sealing Ring	
22	GAA20401T365	End Shield	Motor A-Side
23	GAA20401T366	Ball Bearing	
24	GAA20401T367	V-Seal Ring	

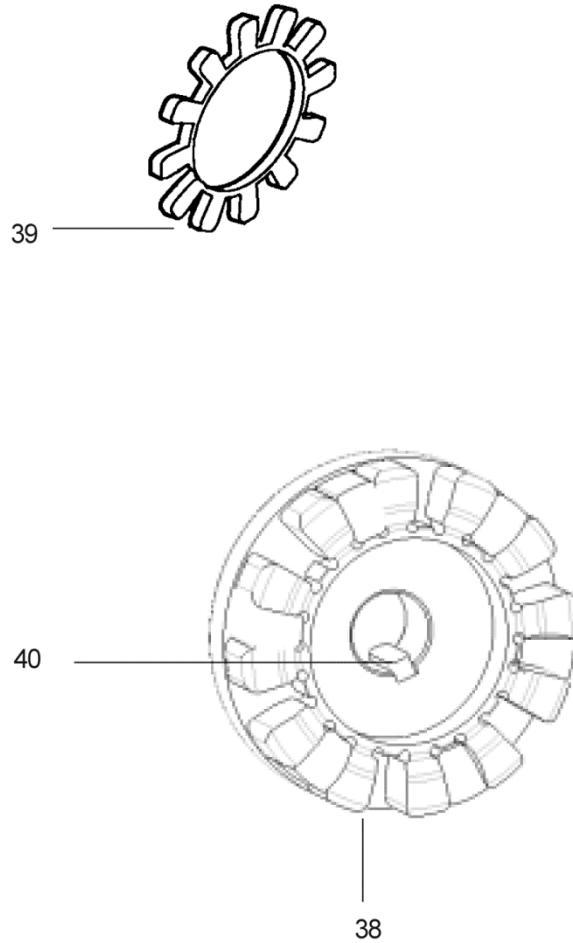


GAA20401T		For E-Motor Type 160	
REF. No.	PART No.	DESCRIPTION	PLACED
25	GAA20401T368	End Shield	Motor B-Side
26	GAA20401T369	Ball Bearing	
27	GAA20401T370	Rotary Shaft Seal	
28	GAA20401T371	Ball Bearing Shim	
29	GAA20401T372	Toroidal Sealing Ring	
30	GAA20401T373	End Shield	Motor A-Side
31	GAA20401T374	Ball Bearing	
32	GAA20401T375	V-Seal Ring	

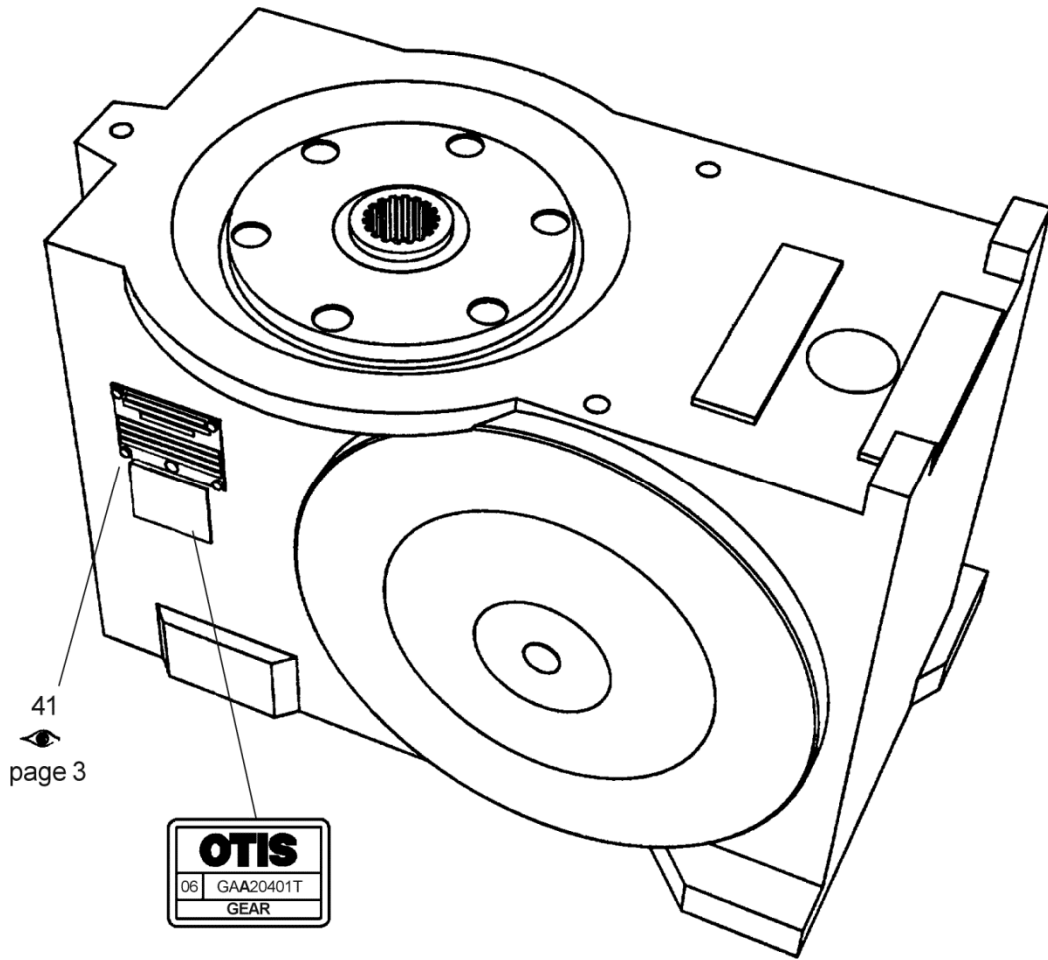
Escalator/Trav-O-Lator® Machine EC 2-7 **06-GAA20401T**



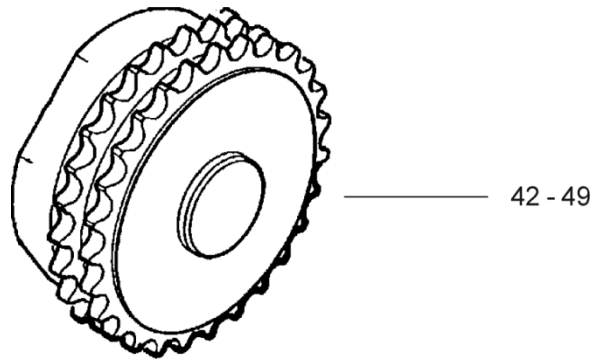
GAA20401T		
REF. No.	PART No.	DESCRIPTION
33	GAA20401T368	Cover for Motor Type 132
34	GAA20401T376	Cover for Motor Type 160
35	GAA20401T621	Shaft Encoder (type ITD67A4Y12)
36	GAA20401T369	Fan for Motor Type 132 (w/ retaining ring DIN471 35 x 1.75 & feather key)
37	GAA20401T377	Fan for Motor Type 160 (w/ retaining ring DIN471 35 x 1.75 & feather key)



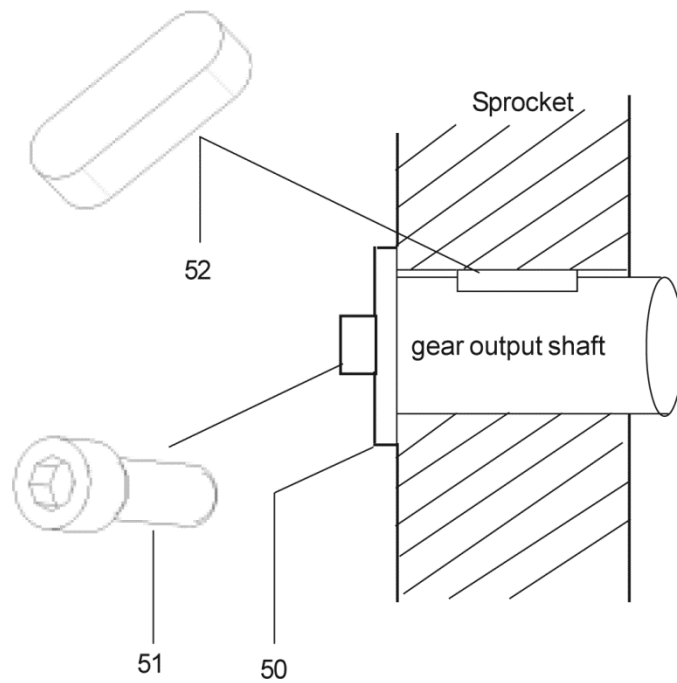
GAA20401T		
REF. No.	PART No.	DESCRIPTION
38	GAA20401T026	Claw Flange
39	GAA20401T027	Motor Coupling Clutch-Buffer Ring
40	GAA20401T028	Feather Key DIN6885 AB 8 x 7 x 26



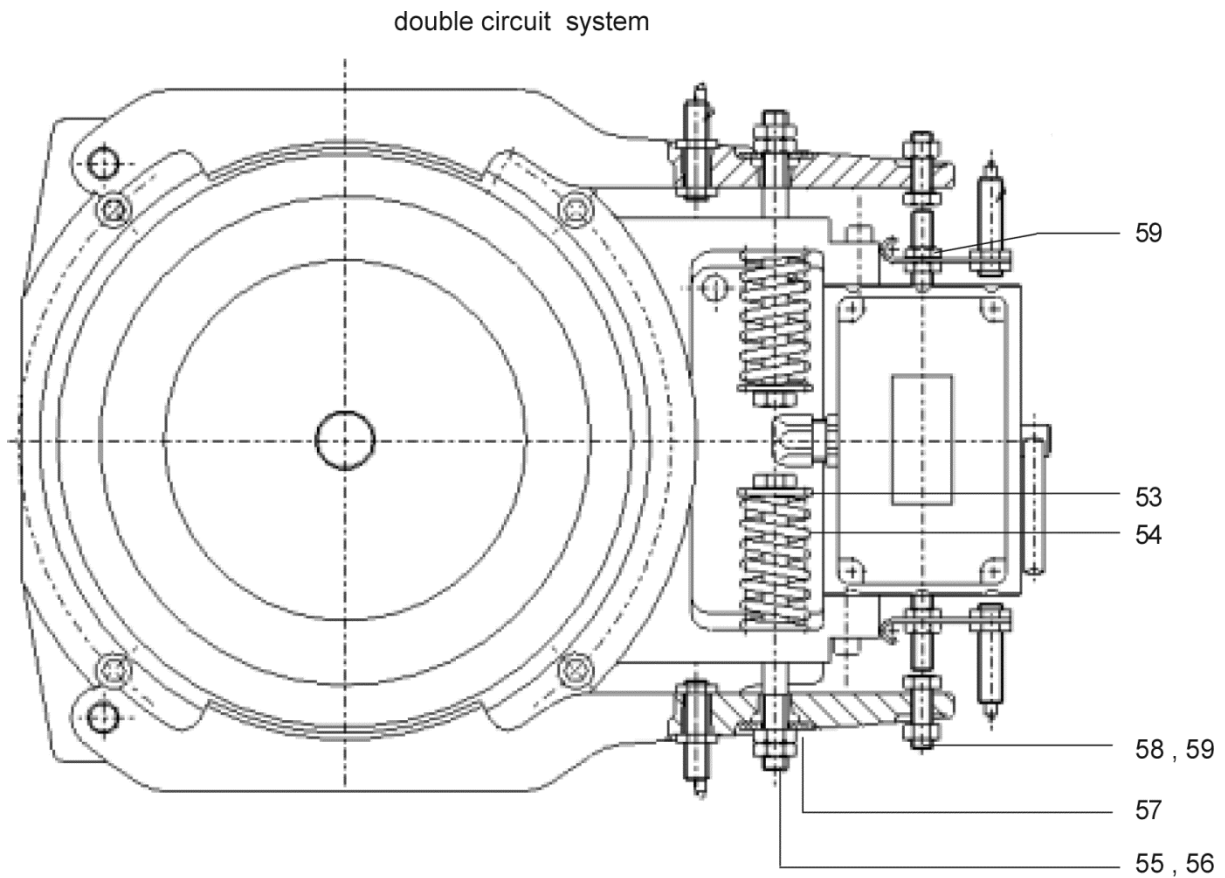
GAA20401T			
REF. No.	PART No.	DESCRIPTION	RATIO
41	GAA20401T101	Gear Case	$i = 27.56$



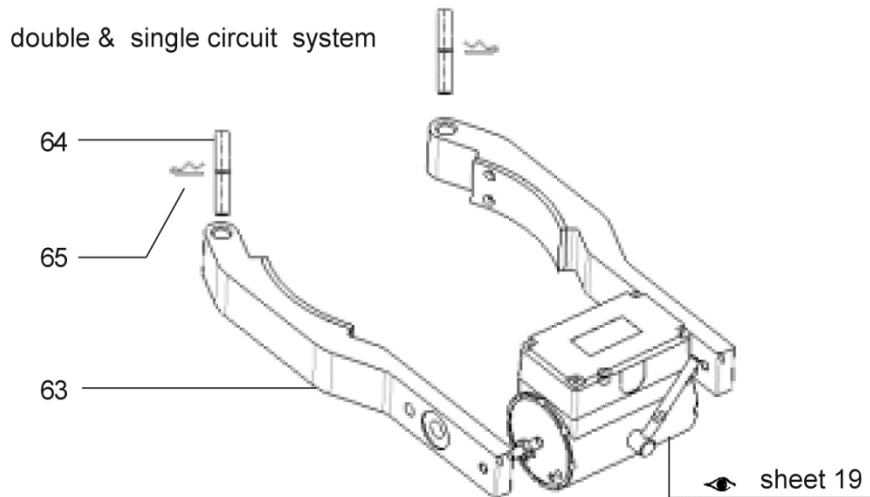
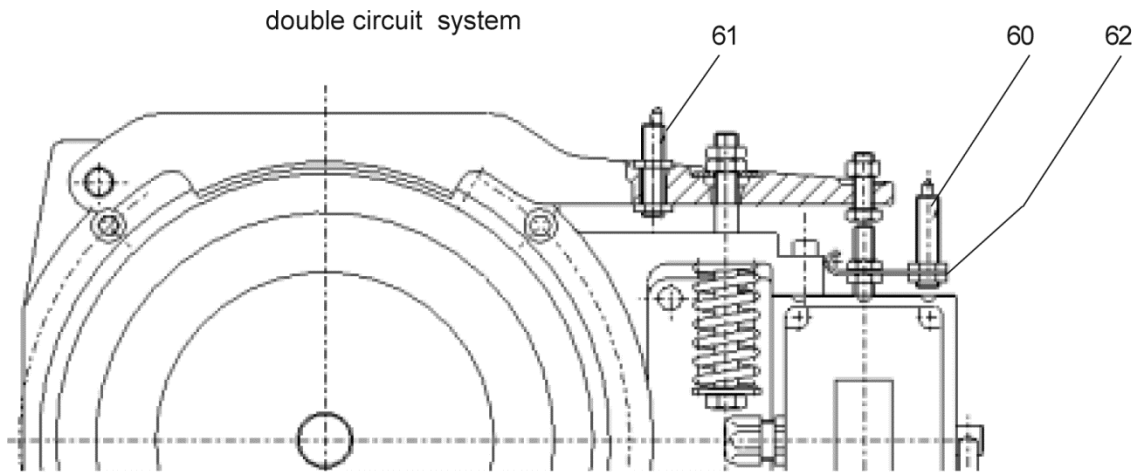
GAA20401T			
REF. No.	PART No.	DESCRIPTION	ARRANGEMENT
42	GAA20401T401	Sprocket, 17 teeth	DIN8187 / DIN8188 1-1/4 in. Duplex
43	GAA20401T402	Sprocket, 18 teeth	
44	GAA20401T403	Sprocket, 19 teeth	
45	GAA20401T404	Sprocket, 20 teeth	
46	GAA20401T405	Sprocket, 21 teeth	
47	GAA20401T406	Sprocket, 22 teeth	
48	GAA20401T407	Sprocket, 23 teeth	
49	GAA20401T408	Sprocket, 25 teeth	



GAA20401T			
REF. No.	PART No.	DESCRIPTION	
50	GAA20401T451	Pressure Disk No. 1	Add. Parts for Sprockets
51	GAA20401T452	Socket Head Cap Screw M12x35	
52	GAA20401T453	Feather Key AB18 x 11 x 55	

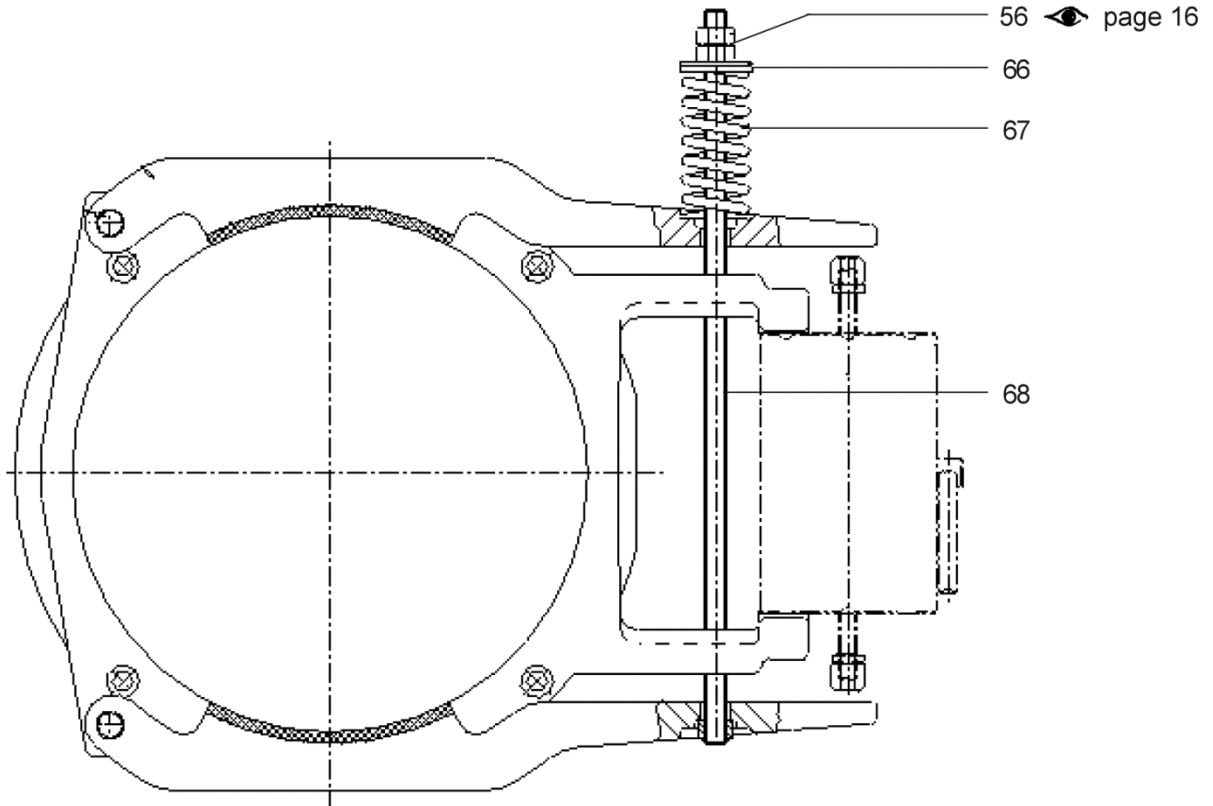


GAA20401T			
REF. No.	PART No.	DESCRIPTION	BRAKE ARRANGEMENT
53	GAA20401T013	Spring Collar No. 2 (1 Piece)	For Double Circuit System
54	GAA20401T015	Pressure Spring 35 x 70 x 5 (1 Piece)	
55	GAA20401T016	Hexagon Head Screw ISO4017-M12 x 140 (1 Piece)	
56	GAA20401T017	Hexagon Nut M12 (1 Piece)	
57	GAA20401T018	Washer $\varnothing 13 \times \varnothing 37 \times 3$ DIN9021 (1 Piece)	
58	GAA20401T019	Hexagon Head Screw ISO4017-M10 x 50 (1 Piece)	
59	GAA20401T020	Hexagon Nut M10 (1 Piece)	



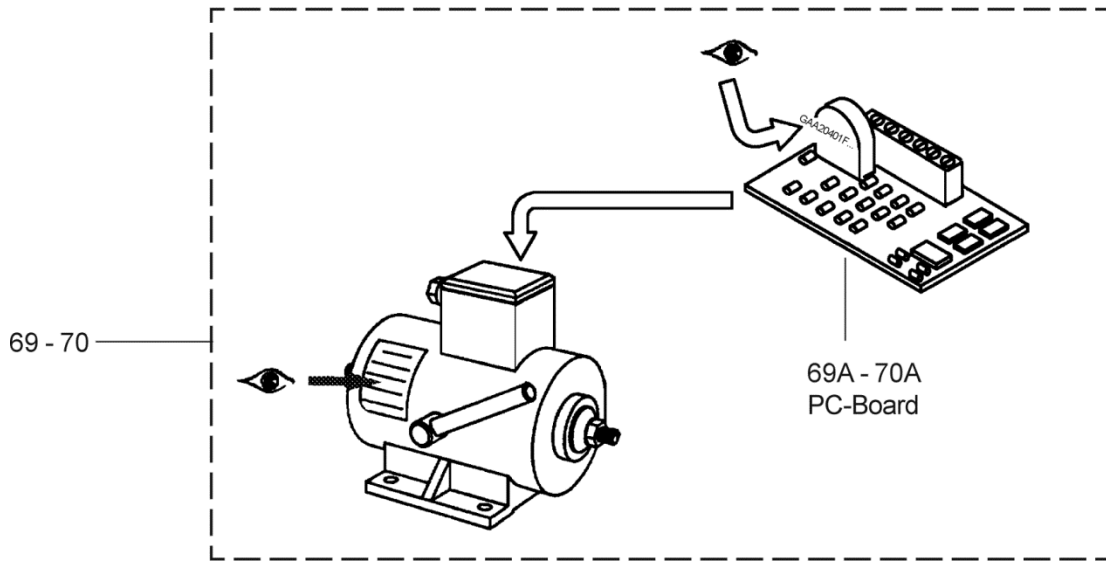
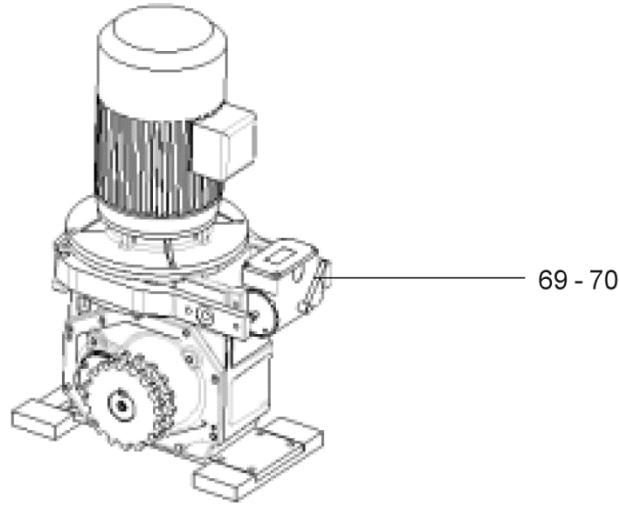
GAA20401T			
REF. No.	PART No.	DESCRIPTION	BRAKE ARRANGEMENT
60	GAA20401T601	Brake Function Control Sensor M12 x 40, Make Contact (w/ 0.93 m Cable & Plug)	For Double Circuit System
61	GAA20401T603	Brake Lining Wear Control Sensor M12 x 40, Break Contact (w/ 0.93 m Cable & Plug)	
62	GAA20401T605	Holder for Sensor, REF. No. 59 (1 Piece)	
63	GAA20401T010	Brake Lever w/ Brake Lining (1 Piece)	For Double and Single Circuit System
64	GAA20401T012	Pin (1 Piece)	
65	GAA20401T014	w-Clip (1 Piece)	

single circuit system

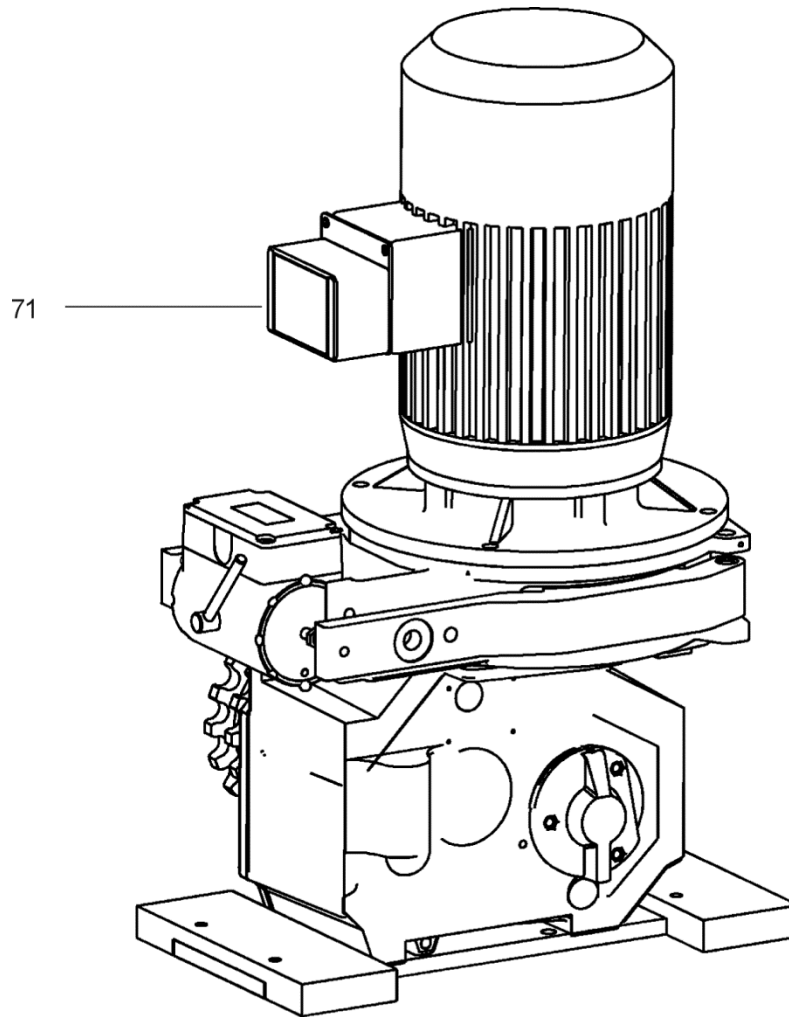


GAA20401T

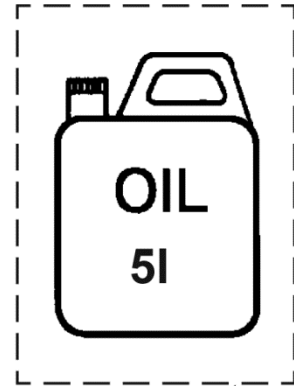
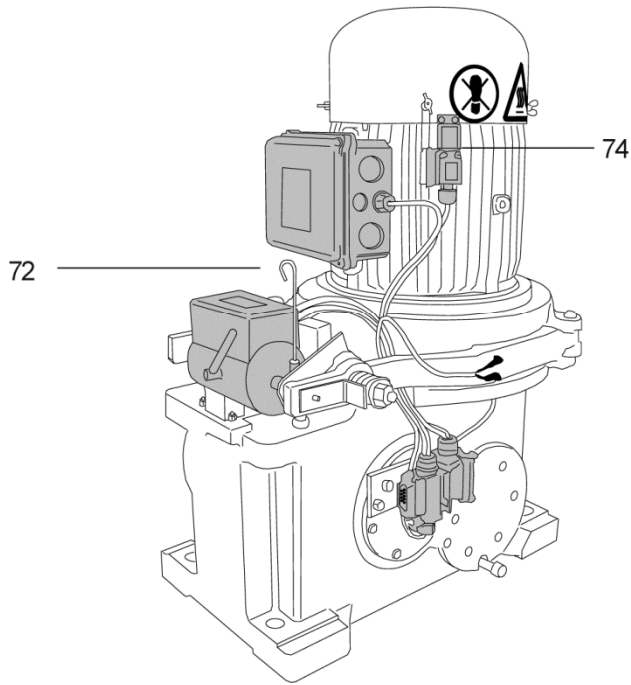
REF. No.	PART No.	DESCRIPTION	BRAKE ARRANGEMENT
66	GAA20401T022	Spring Collar No. (1 Piece)	For Single Circuit System
67	GAA20401T023	Pressure Spring 5.5 x 32.5 L 0-92 mm (1 Piece)	
68	GAA20401T024	Brake Rod L = 420 mm (1 Piece)	



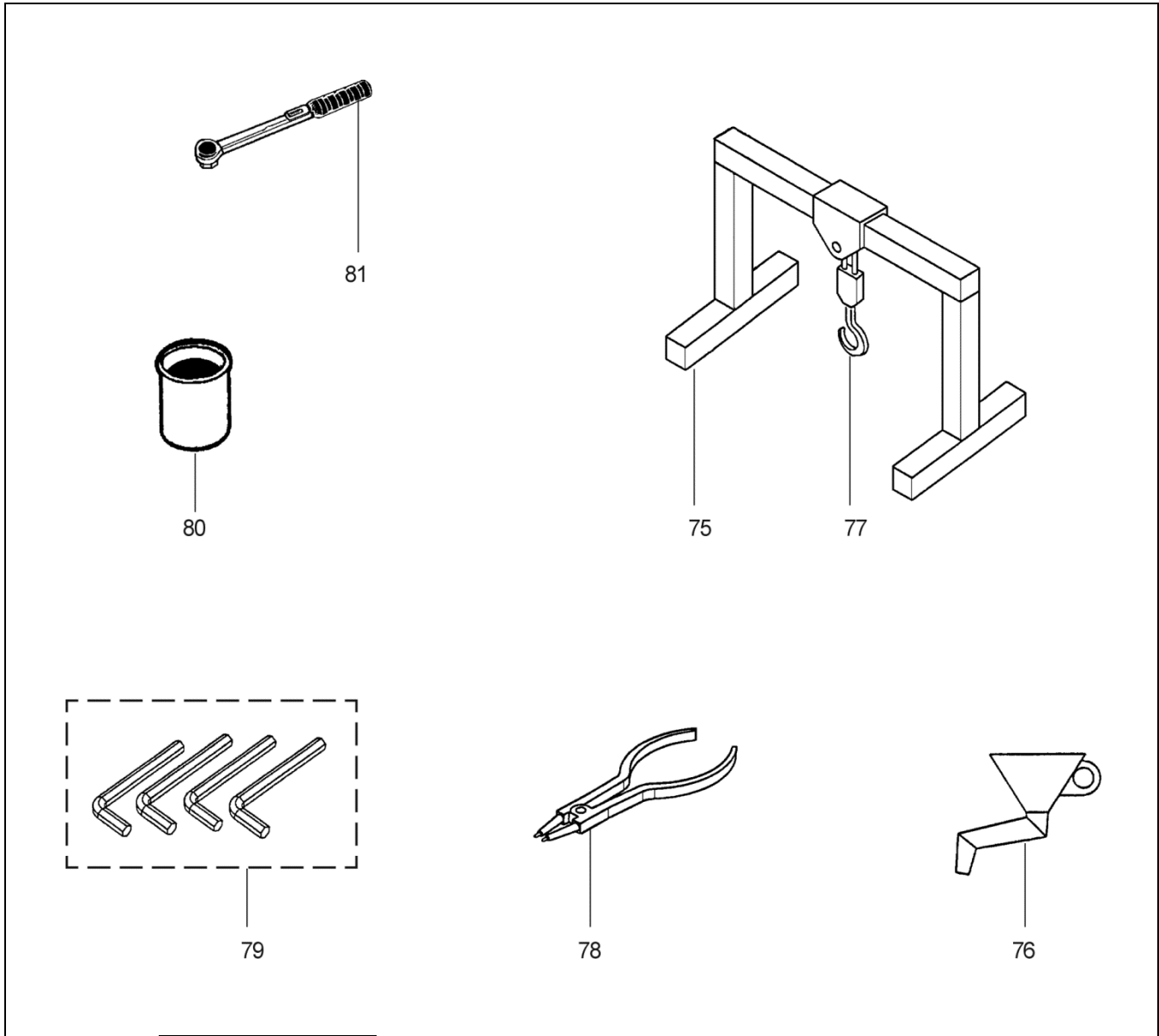
GAA20401T			
REF. No.	PART No.	DESCRIPTION	BRAKE ARRANGEMENT
69	GAA20401F551	Brake Solenoid O-21H 230 V	Single Circuit System w/ Overexcitation
69A	GAA20401F581	PC-Board for GAA20401F551	
70	GAA20401F552	Brake Solenoid O-22H 230 V (1 Piece)	Double Circuit System w/ Overexcitation
70A	GAA20401F582	PC-Board for GAA20401F552 (1 Piece)	



REF. No.	PART No.	DESCRIPTION
71	GAA20401T629	Terminal Box w/ Divider & Signal Converter



GAA20401T		
REF. No.	PART No.	DESCRIPTION
72	GAA20401T001	Oil Level Indicator
73	GAA20401T002	Oil, 5l Synthetic Oil, OTIS No. 54
74	GAA20401F023	Safety Switch (preventing manipulation at cover)



GAA20401T		
REF. No.	PART No.	DESCRIPTION
75	GAA20401B773	Assembly Stand
76	GAA20401B775	Funnel Tube
77	GAA20401B772	Lifting Device
78	GAA20401B764	Retaining Ring Plier
79	GAA20401B770	Set: Allan Key
80	GAA20401B766	Screw Retaining Paste
81	GAA20401B771	Torque Wrench 50-200 Nm