

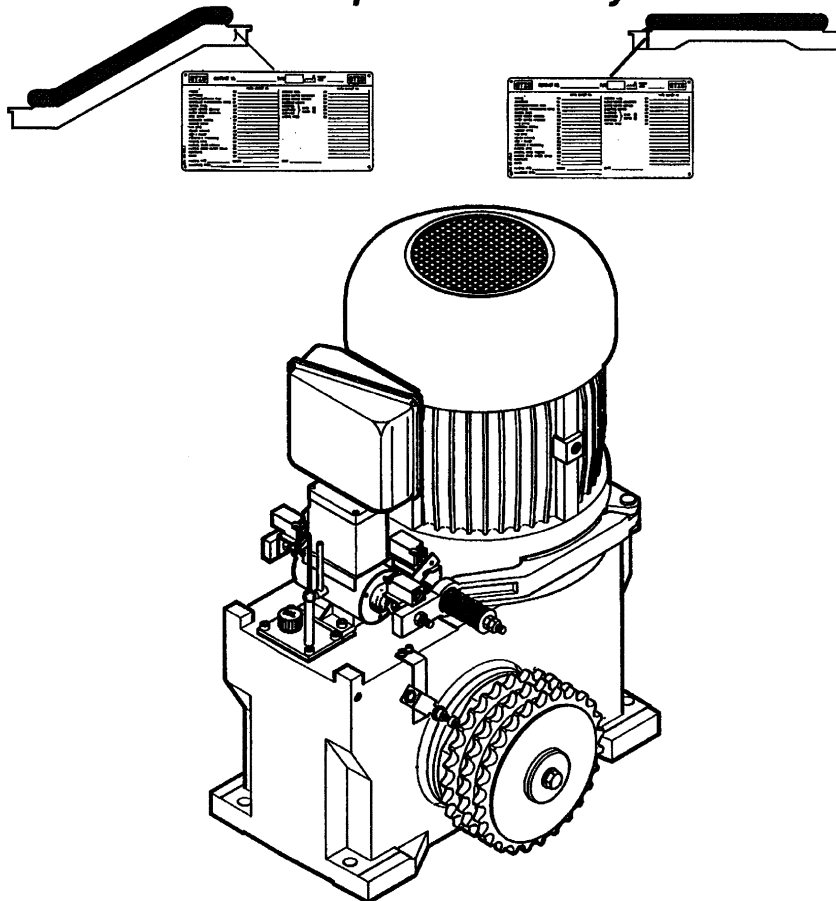
**Machine
Escalator/Machine Trav-O-
Lator: Chain-/Gear Drive
EC203**

**Spare Parts Leaflet
06-G..20401B
April 1999 / Page 1 of 13**

OBSOLESCENCE NOTICE

The product covered in this SPL has been designated as obsolete and is no longer supported. See TIP 32.2-1, *Obsolete Components*, for potential upgrade. Replacement lower-level parts listed within and unique to this design will be reviewed for obsolescence.

for replacements only



OTIS

This document does not contain any technical data subject to EAR or ITAR

**SERVICE ENGINEERING
Otis Elevator Company
Bloomfield, Connecticut USA**

Unpublished Work—© Otis Elevator Co.; 1999

**Type Tag Gearbox
Plaque De Caracteristiques L' Engrenage
Getriebetypenschild
Targa Dati Dell'Ingranaggio
Chapa De Caracteristicas Del Engranaje**

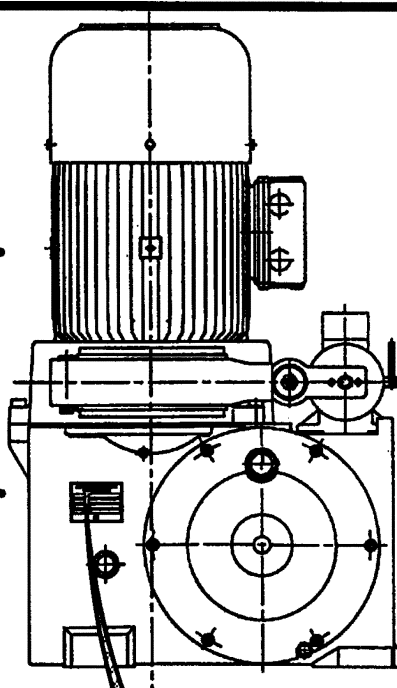
OMS NO GEAR
OMS NO L'ENGRENAGE
OMS NR GETRIEBE
OMS NO DELL'INGRANAGGIO
OMS NO DEL ENGRANAJE

DELIVERY DATE
DATE DE LIVRAISON
LIEFERDATUM
DATI DE CONSENGA
FECHA DE ENTREGA

CONTRACT NUMBER
NOMBRE DE COMMANDE
AUFTRAGSNUMMER
NUMERO DI CONTRATTO
NUMERO DE CONTRATTO

TYPE OF GEAR
TYPE DE L'ENGRANAGE
GETRIEBETYP
TIPPI DELL'INGRANAGGIO
TIPOS DE ENRANAJE

GEAR RATIO
RAPPORT DE REDUCTION
GETRIEBEÜBERSETZUNG
RAPPORTO DI RIDUZIONE
RELACION DE DESMULTI-
PLICACION DEL ENGRANAJE

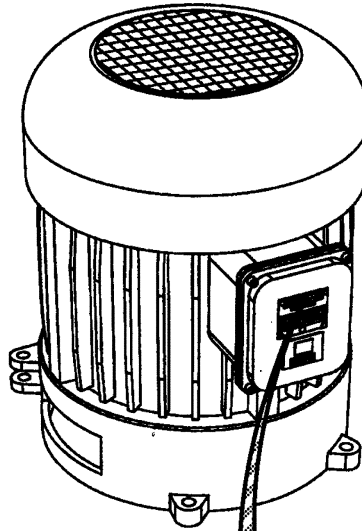


OMS NO	_____
DELIV-D	_____
UNIT NO	_____
TYPE	_____
RATIO	_____

Trav-O-Lator: Chain-/Gear Drive EC203

Type Tag Motor
Plaque De Caracteristiques Moteur
Motortypenschild
Targa Dati Di Motore
Chapa De Caracteristicas De Motor

OMS NO MOTOR
OMS NO MOTEUR
OMS NR MOTOR
OMS NO MOTORE
OMS NO MOTOR



DELIVERY DATE
DATE DE LIVRAISON
LIEFERDATUM
DATI DE CONSENGA
FECHA DE ENTREGA

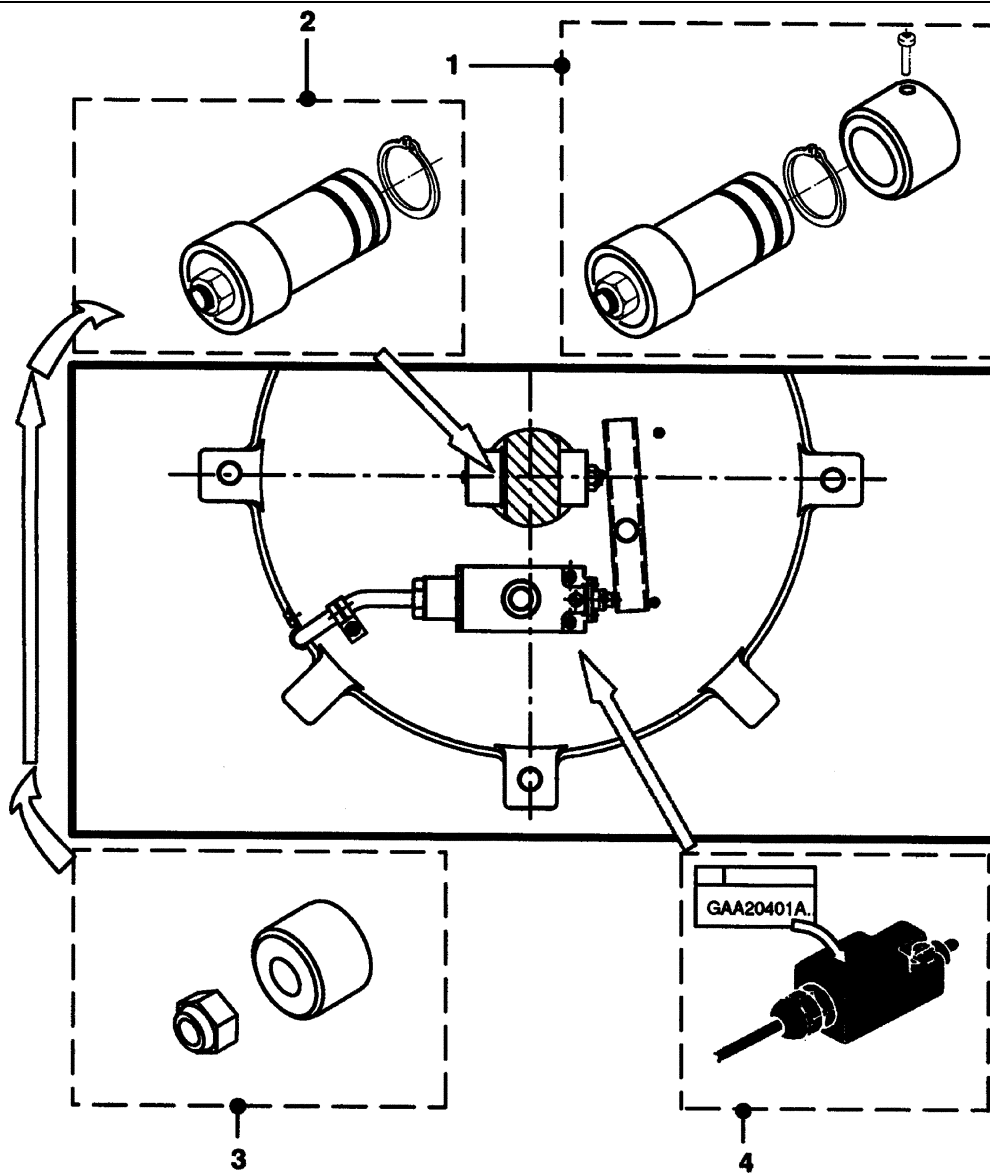
CONTRACT NUMBER
NOMBRE DE COMMANDE
AUFTRAGSNUMMER
NUMERO DI CONTRATTO
NUMERO DE CONTRATTO

TYPE OF MOTOR
TYPE DE MOTEUR
MOTORTYP
TIPI DE MOTORE
TIPOS DE MOTOR

kW _____
V _____
Hz _____

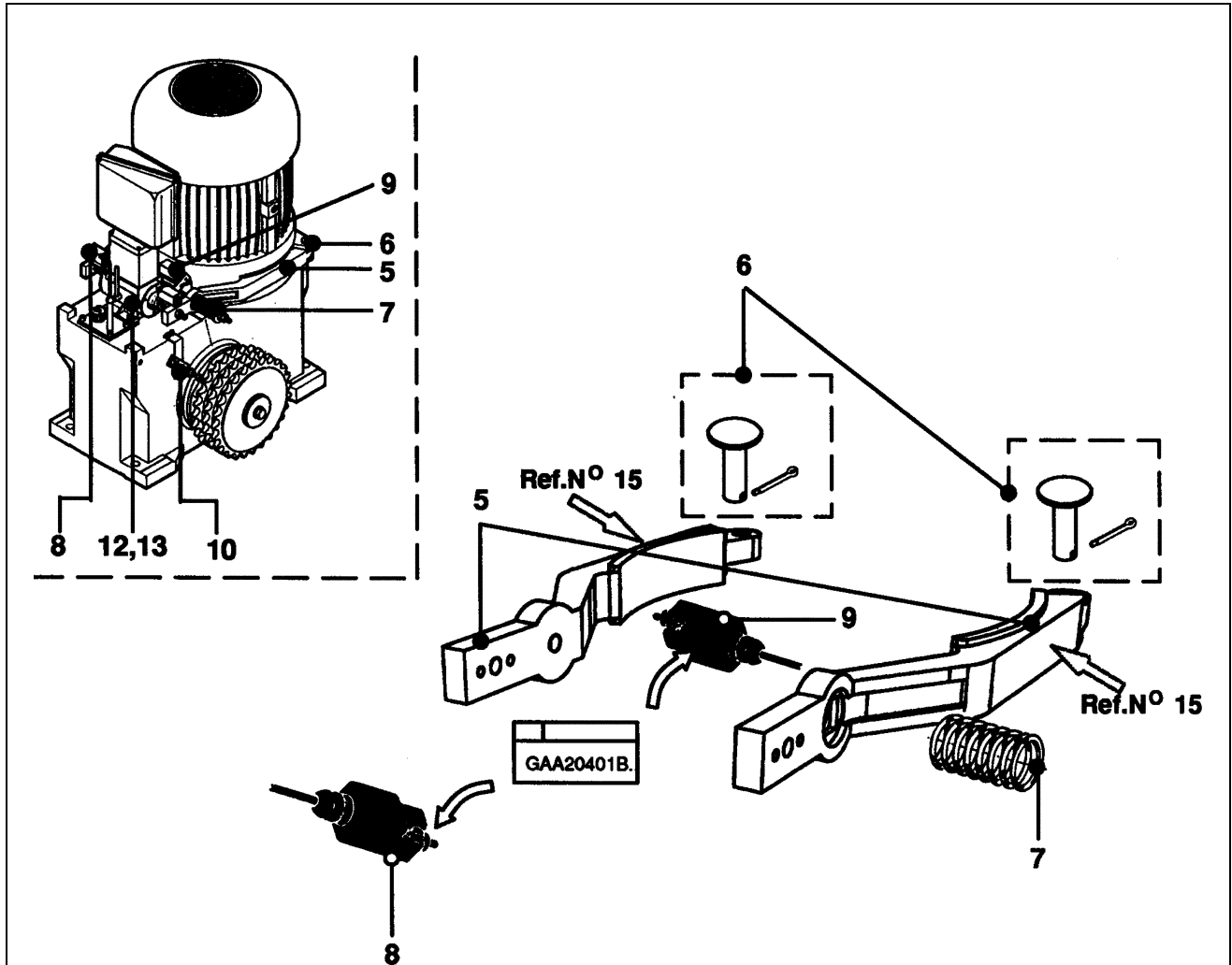
OMS NO	_____
DELIV-D	_____
UNIT NO	_____
TYPE	_____
KW	_____
S6	_____
_____ HZ	_____ V
_____ A	COS PHI _____
_____	_____ /MM
INSUL.CL. F	105° C
PROTEC.CL.	IP55

**Machine Escalator/Machine
Trav-O-Lator: Chain-/Gear Drive EC203**



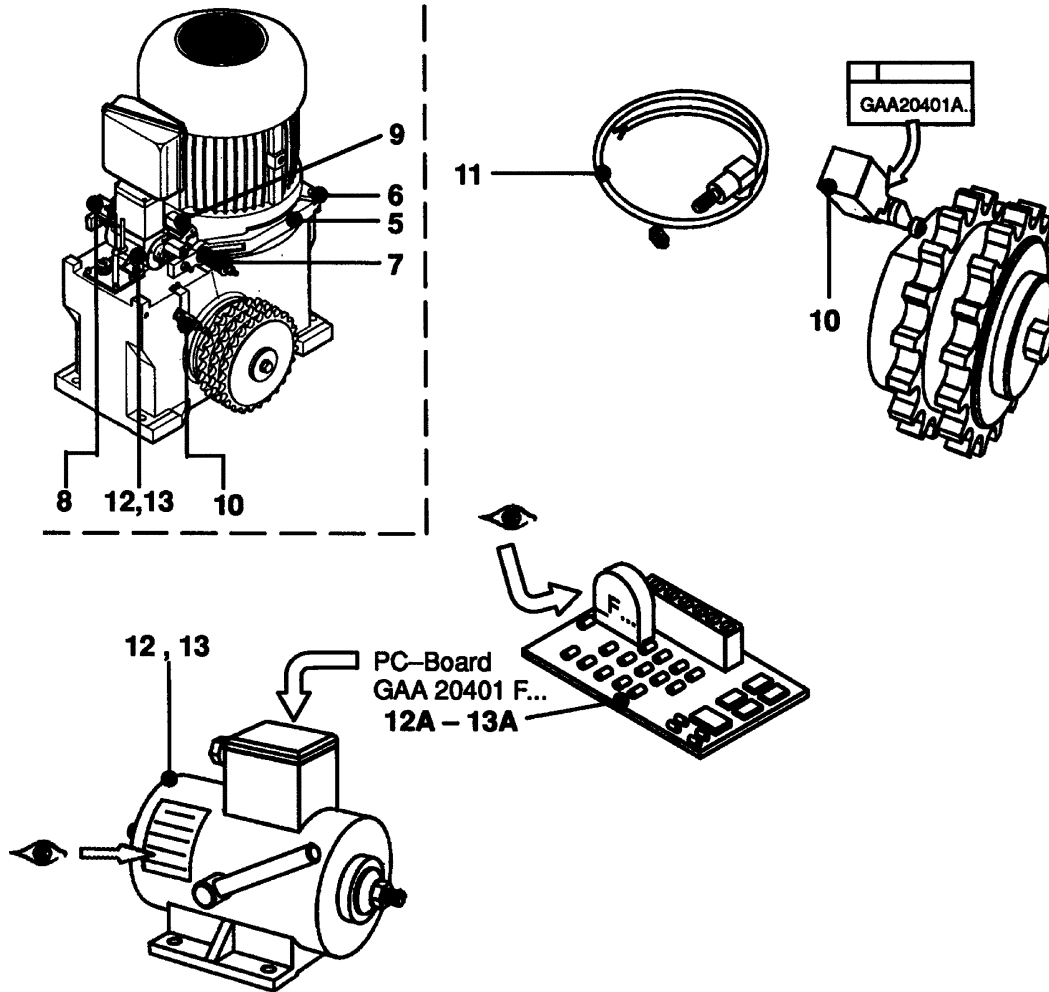
GAA20401B		
REF. No.	PART No.	DESCRIPTION
1	GAA20401B500 GAA20401A500	Overspeed Governor, 50 Hz, Motor Type 160
	GAA20401B501 GAA20401A501	Overspeed Governor, 60 Hz, Motor Type 160
2	GAA20401B502	Overspeed Governor, 50 Hz, Motor Type 225
	GAA20401B503	Overspeed Governor, 60 Hz, Motor Type 225
3	GO2000BG1	Test Set for Overspeed Governor
4	GAA20401B504 GAA20401A505	Overspeed Governor Switch

Trav-O-Lator: Chain-/Gear Drive EC203



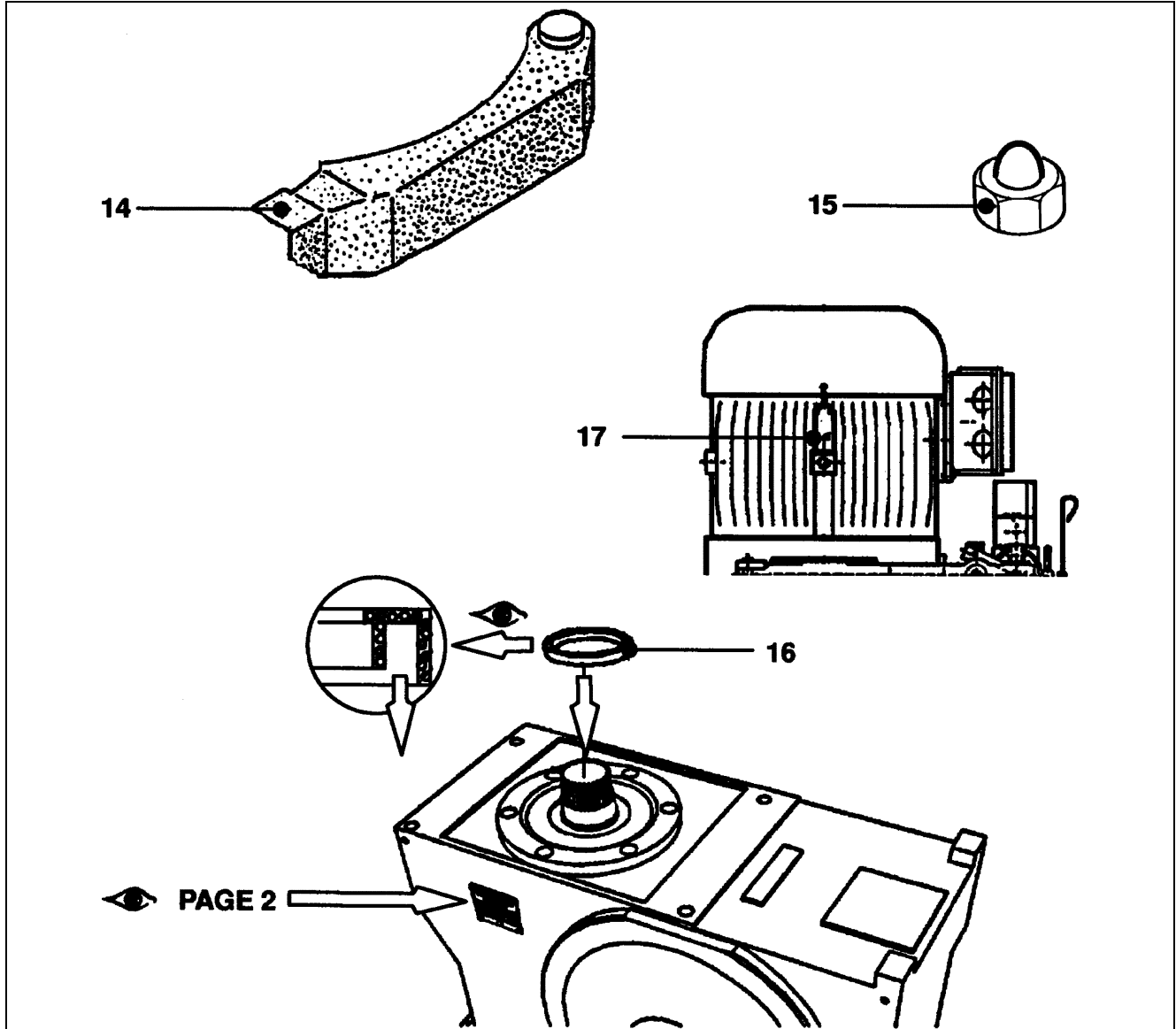
GAA20401B		
REF. No.	PART No.	DESCRIPTION
5	GAA20401B506	Set: Brake Lever, Motor Type 160, Page 3
	GAA20401B506	Set: Brake Lever, Motor Type 225, Page 3
	GAA20401B507	Set: Brake Lever, Motor Type 160, (w/brake lining wear control contact)
	GAA20401B508	Set: Brake Lever, Motor Type 225, (w/brake lining wear control contact)
6	GAA20401B509	Set: Pin & Cotter Pin
	GAA20401A507	
7	GAA20401B510	Spring
	GAA20401A508	
8	GAA20401B511	Brake Lining Wear Switch
	GAA20401B512	
9	GAA20401B512	Brake Function Switch

**Machine Escalator/Machine
Trav-O-Lator: Chain-/Gear Drive EC203**



GAA20401B		
REF. No.	PART No.	DESCRIPTION
10	GAA20401B513 GAC20401A513	Friction Reversing Switch
11	GAA20401B515 GAA20401A515	Impulse Generator M12x1 (for breaking distance emergency device, NRD)
12	GAA20401B520 GAA20401C502	Brake Solenoid, GO222P5/M3 230V
	GAA20401F552	Brake Solenoid, O-22W 230V (dual circuit brake system)
12A	GAA20401F582	PC Board for GAA20401F552
13	GAA20401B524	Brake Solenoid, GO222P2/M2 230V
	GAA20401A551	Brake Solenoid, O-22W 230V
13A	GAA20401A581	PC Board for GAA20401F551
13	GAA20401B522	Brake Solenoid, GO222P8 230V
	GAA20401F555	Brake Solenoid, O-21CW 230V
13A	GAA20401F581	PC Board for GAA20401F555

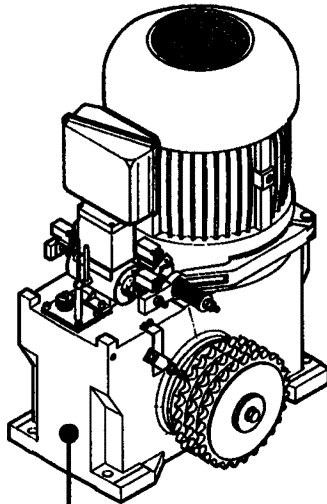
Trav-O-Lator: Chain-/Gear Drive EC203



GAA20401B		
REF. No.	PART No.	DESCRIPTION
14	GAA20401B530	Brake Lever Cover, Motor Type 160
	GAA20401B531	Brake Lever Cover, Motor Type 225
	GAA20401B532	Brake Lever Cover, Motor Type 160 (w/holes for brake lining wear contact)
	GAA20401B533	Brake Lever Cover, Motor Type 225 (w/holes for brake lining wear contact)
15	GAA20401B534	Set: Cap for Brake Lining Wear Switch
16	GAA20401B540	Worm Shaft Seal
17	GAA20401B541	Hand Wheel Safety Switch

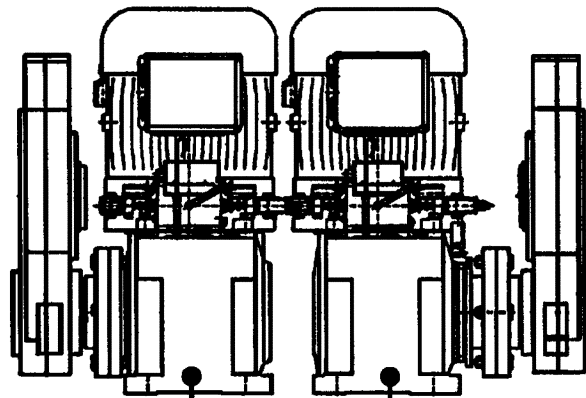
**Machine Escalator/Machine
Trav-O-Lator: Chain-/Gear Drive EC203**

SINGLE DRIVE (CHAIN)



18

DUPLEX DRIVE (GEAR)

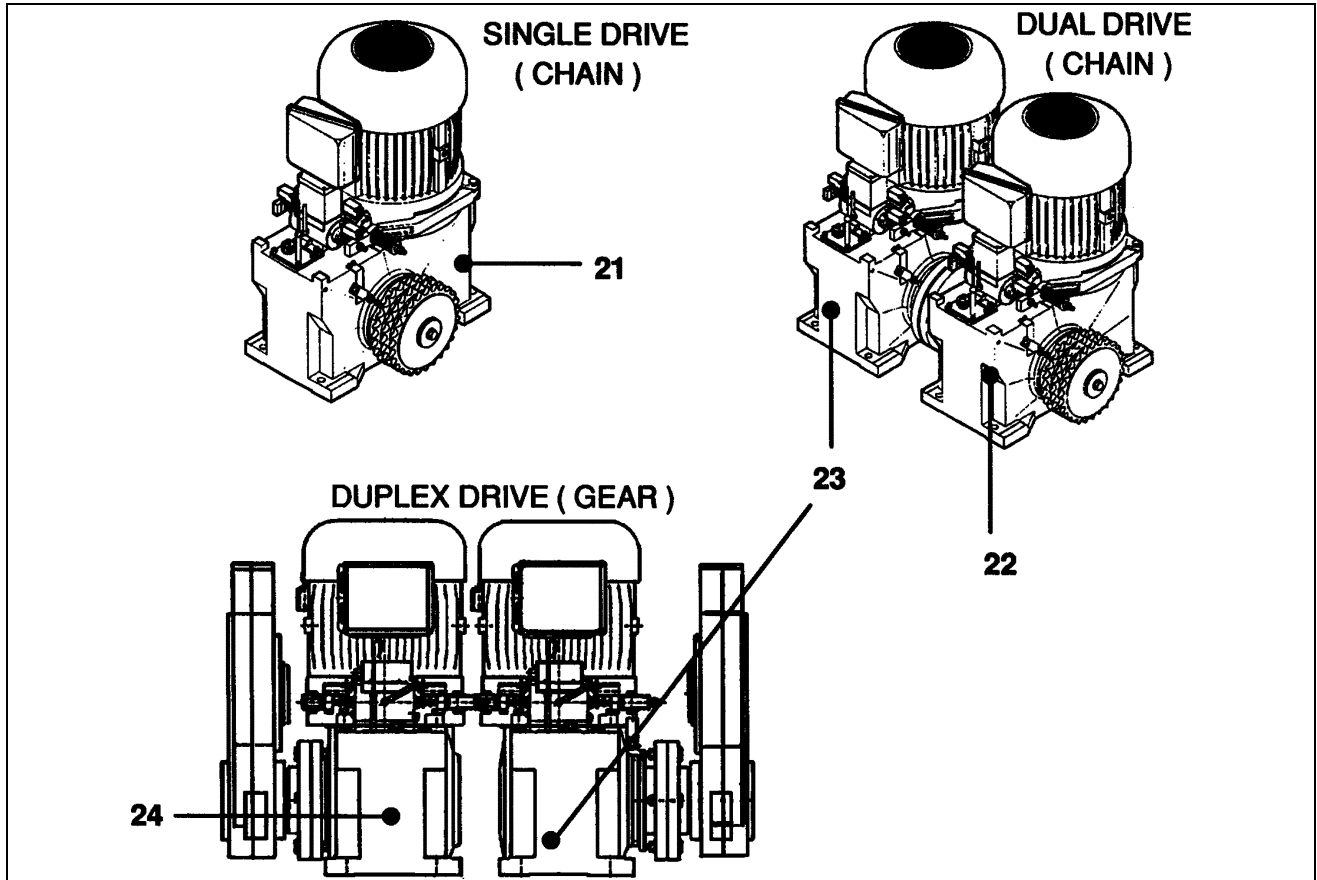


20

19

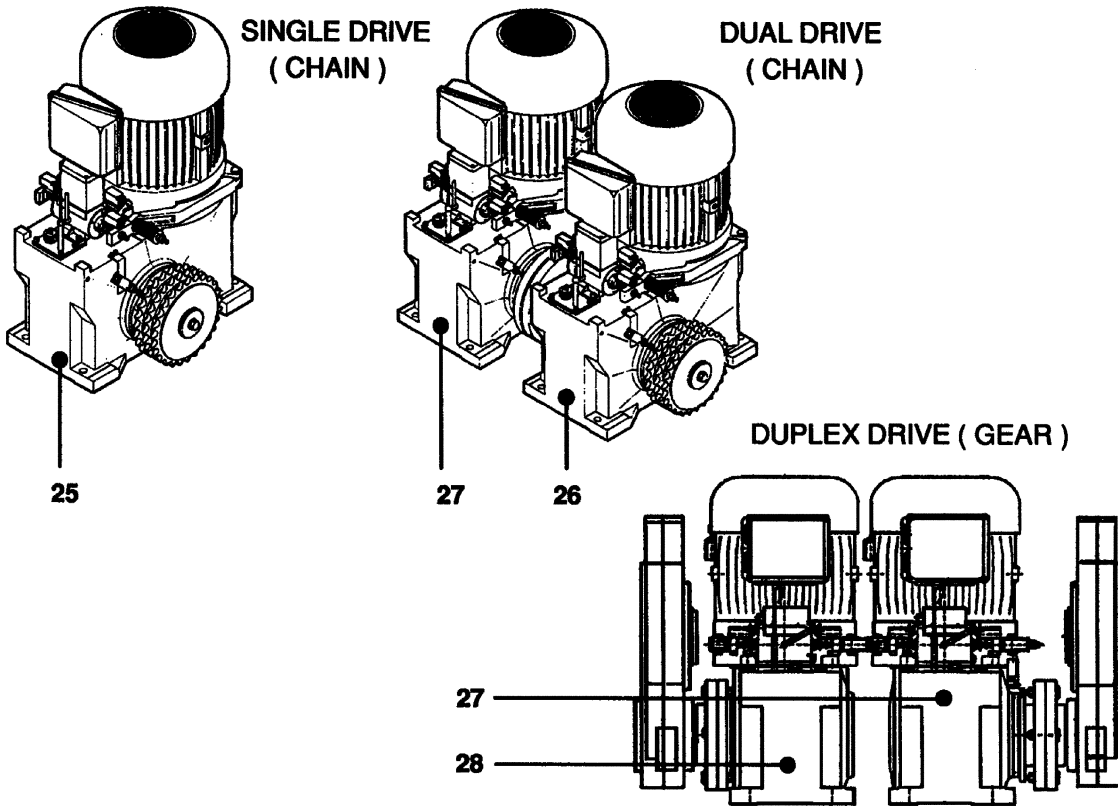
GAA20401B		
REF. No.	PART No.	DESCRIPTION
		Escalator Motor Type 160 (p ≤ 11.7 kw)
18	GAA20401B542	Gear Case (single drive), i = 20.0:1
	GAA20401B543	Gear Case (single drive), i = 26.5:1
	GAA20401B544	Gear Case (single drive), i = 31.0:1
19	GAA20401B545	Gear Case (coupling machine, left side for intermediate gear), i = 20.0:1
	GAA20401B546	Gear Case (coupling machine, left side for intermediate gear), i = 26.5:1
	GAA20401B547	Gear Case (coupling machine, left side for intermediate gear), i = 31.0:1
20	GAA20401B548	Gear Case (coupling machine, left side for intermediate gear), i = 20.0:1
	GAA20401B549	Gear Case (coupling machine, left side for intermediate gear), i = 26.5:1
	GAA20401B550	Gear Case (coupling machine, left side for intermediate gear), i = 31.0:1

Trav-O-Lator: Chain-/Gear Drive EC203



GAA20401B		
REF. No.	PART No.	DESCRIPTION
Escalator Motor Type 160 (p > 11.7 kw)		
21	GAA20401B560	Gear Case (single drive), i = 20.0:1
	GAA20401B561	Gear Case (single drive), i = 26.5:1
	GAA20401B562	Gear Case (single drive), i = 31.0:1
22	GAA20401B563	Gear Case (dual drive chain machine), i = 20.0:1
	GAA20401B564	Gear Case (dual drive chain machine), i = 26.5:1
	GAA20401B565	Gear Case (dual drive chain machine), i = 31.0:1
23	GAA20401B566	Gear Case (coupling machine, left side for dual drive & duplex drive), i = 20.0:1
	GAA20401B567	Gear Case (coupling machine, left side for dual drive & duplex drive), i = 26.5:1
	GAA20401B568	Gear Case (coupling machine, left side for dual drive & duplex drive), i = 31.0:1
24	GAA20401B569	Gear Case (coupling machine, right side for intermediate gear), i = 20.0:1
	GAA20401B570	Gear Case (coupling machine, right side for intermediate gear), i = 26.5:1
	GAA20401B571	Gear Case (coupling machine, right side for intermediate gear), i = 31.0:1

**Machine Escalator/Machine
Trav-O-Lator: Chain-/Gear Drive EC203**

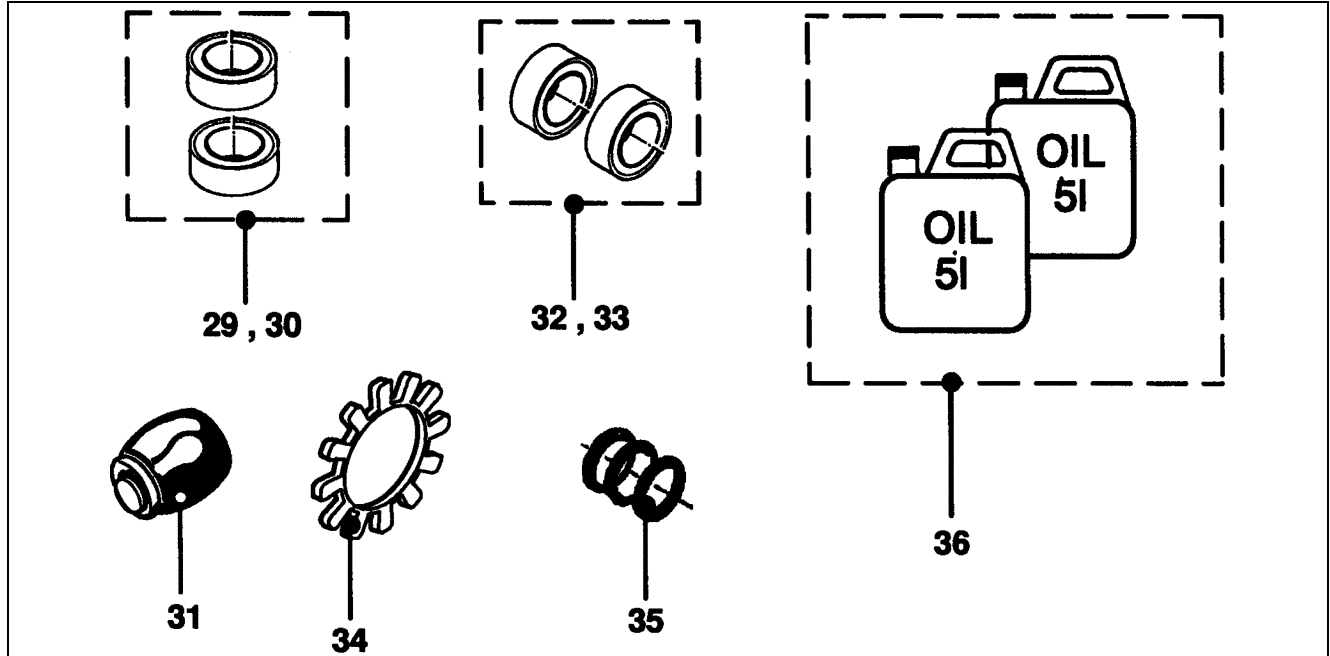


GAA20401B		
REF. No.	PART No.	DESCRIPTION Trav-O-lator < 10° Incline Angle, Motor Type 225 (p > 11.7 kw)
25	GAA20401B580	Gear Case (single drive), i = 20.0:1
	GAA20401B581	Gear Case (single drive), i = 26.5:1
	GAA20401B582	Gear Case (single drive), i = 31.0:1
26	GAA20401B583	Gear Case (dual drive chain machine), i = 20.0:1
	GAA20401B584	Gear Case (dual drive chain machine), i = 26.5:1
	GAA20401B585	Gear Case (dual drive chain machine), i = 31.0:1
27	GAA20401B586	Gear Case (coupling machine, left side for dual drive & duplex drive), i = 20.0:1
	GAA20401B587	Gear Case (coupling machine, left side for dual drive & duplex drive), i = 26.5:1
	GAA20401B588	Gear Case (coupling machine, left side for dual drive & duplex drive), i = 31.0:1
28	GAA20401B589	Gear Case (coupling machine, right side for dual drive & duplex drive), i = 20.0:1
	GAA20401B590	Gear Case (coupling machine, right side for dual drive & duplex drive), i = 26.5:1
	GAA20401B591	Gear Case (coupling machine, right side for dual drive & duplex drive), i = 31.0:1


Machine Escalator/Machine

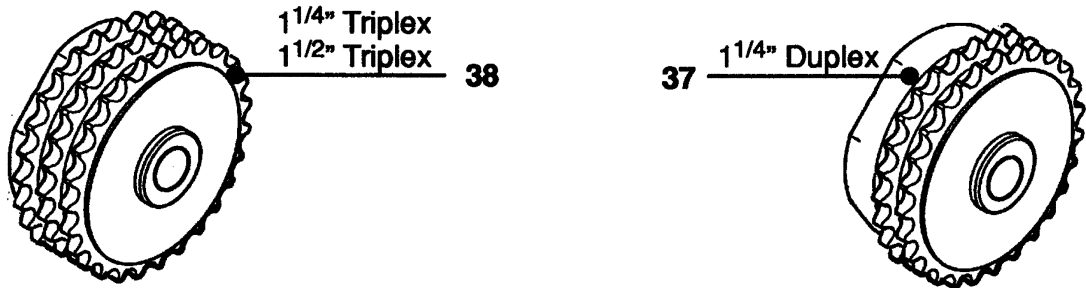
06-G..20401B

Trav-O-Lator: Chain-/Gear Drive EC203



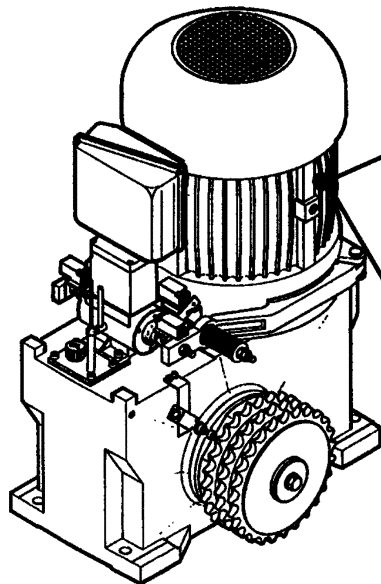
GAA20401B

REF. No.	PART No.	DESCRIPTION
29	GAA20401B595	Kit: Gear Bearing Worm Shaft (motor type 160 & 225)
30	GAA20401B596	Kit: Gear Bearing Worm Shaft (motor type 225)
31	GAA20401B597	Buffer for Dual Drive & Intermediate Gear (12 piece, complete w/ )
32	GAA20401B760	Kit: Bearing Motor Type 160
33	GAA20401B761	Kit: Bearing Motor Type 225
34	GAA20401B762	Motor Coupling Clutch Buffer-Ring (only for motor type 160)
35	GAA20401B763	Kit: Distance Washer (Gear)
36	GAA20401A534	Oil, 2x5l Synthetic Oil: Klüber Syntheso HT 150 (FO16)



		NO. of TEETH										
GAA 20401 B...		17	18	19	20	21	22	23	24	25	26	27
CHAIN		PART OR M.L.										
37	1 1/4" Duplex	...601	...602	...603	...604	...605	...606	...607	...608	...609	...610	...611
	1 1/4" Triplex	...612	...613	...614	...615	...616	...617	...618	...619	...620	...621	...622
38	1 1/2" Triplex	...623	...624	...625	...626	...627	...628	...629	...630	...631	...632	...633

**Machine Escalator/Machine
Trav-O-Lator: Chain-/Gear Drive EC203**



FREQUENCY 50HZ

FREQUENCY 60 HZ

Motor Type } 7,5kW ← 39
160 } 11,7kW ← 40

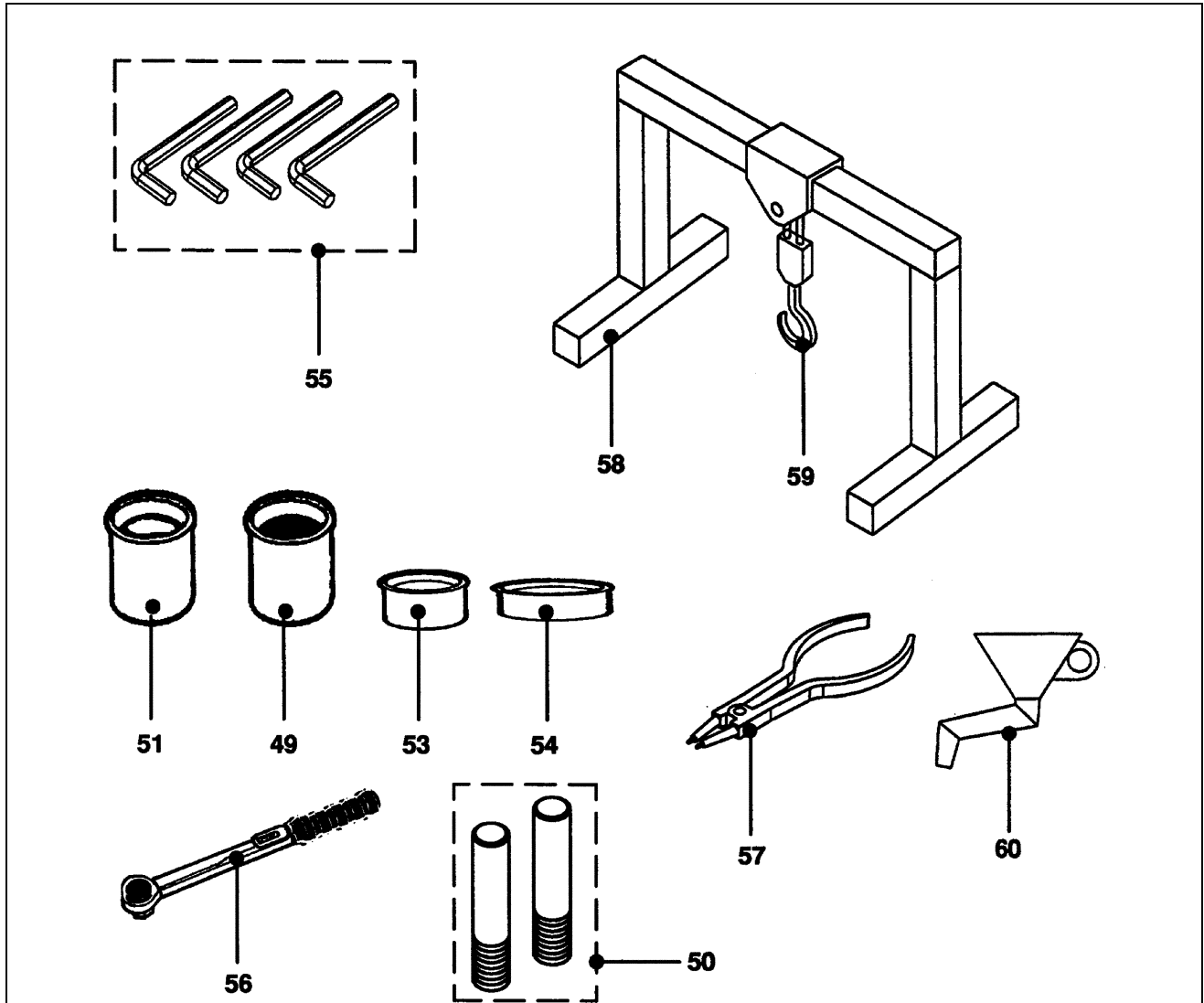
Motor Type } 15,0kW ← 41
225 } 18,6kW ← 42
24,0kW ← 43

Motor Type } 7,5kW ← 44
160 } 11,7kW ← 45

Motor Type } 15,0kW ← 46
225 } 18,6kW ← 47
24,0kW ← 48

		FREQUENCY 50HZ									
REF.NO.	PART OR M.L.	VOLTAGE (V)									
		200-208	220	350	380	400	400-415	440	460-480	575	600
						IEC 38					
39	GAA 20401 B	...650	X	...652	...653	...654	...655	...656	...657	X	X
40	GAA 20401 B	...660	X	...662	...663	...664	...665	...666	...667	X	X
41	GAA 20401 B	...670	X	...672	...673	...674	...675	...676	...677	X	X
42	GAA 20401 B	...680	X	...682	...683	...684	...685	...686	...687	X	X
43	GAA 20401 B	...690	X	...692	...693	...694	...695	...696	...697	X	X
		FREQUENCY 60HZ									
REF.NO.	PART OR M.L.	VOLTAGE (V)									
		200-208	220	350	380	400	400-415	440	460-480	575	600
						IEC 38					
44	GAA 20401 B	...700	...701	X	...703	X	X	...706	...707	...708	...709
45	GAA 20401 B	...710	...711	X	...713	X	X	...716	...717	...718	...719
46	GAA 20401 B	...720	...721	X	...723	X	X	...726	...727	...728	...729
47	GAA 20401 B	...730	...731	X	...733	X	X	...736	...737	...738	...739
48	GAA 20401 B	...740	...741	X	...743	X	X	...746	...747	...748	...749

Trav-O-Lator: Chain-/Gear Drive EC203



GAA20401B

REF. No.	PART No.	DESCRIPTION
49	GAA20401B764	Mounting Paste
50	GAA20401B765	Set of Guide Screw (motor type 160)
51	GAA20401B766	Screw Retaining Paste
52	GAA20401B767	Set of Special Tools for Replacement of Worm Shaft Bearings
53	GAA20401B768	Grease for V-Seal
54	GAA20401B769	Sealing Compound
55	GAA20401B770	Set of Allan Key
56	GAA20401B771	Torque Wrench 50-200 Nm
57	GAA20401B772	Retaining Ring Plier
58	GAA20401B773	Assembly Stand
59	GAA20401B774	Lifting Device
60	GAA20401B775	Funnel Tube