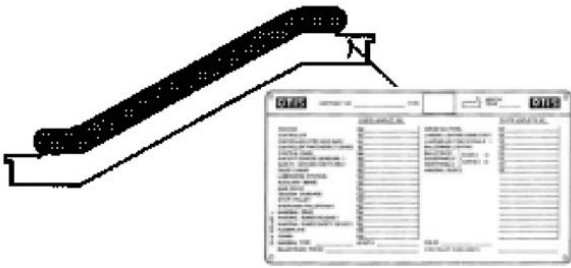


# OTIS

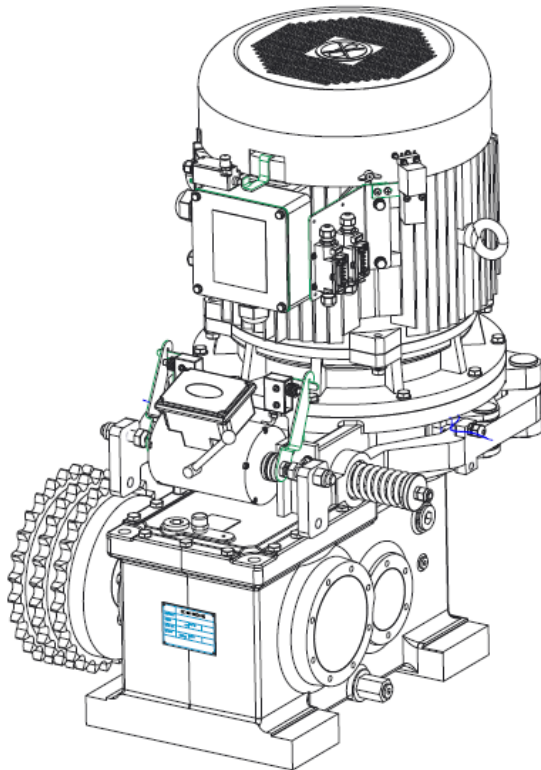
ESC-MACHINE(ShangHai)

## ESCALATOR MACHINE EMC-H1/ EC-WH-G/EM-H2-G (FTSST158 GEARBOX)

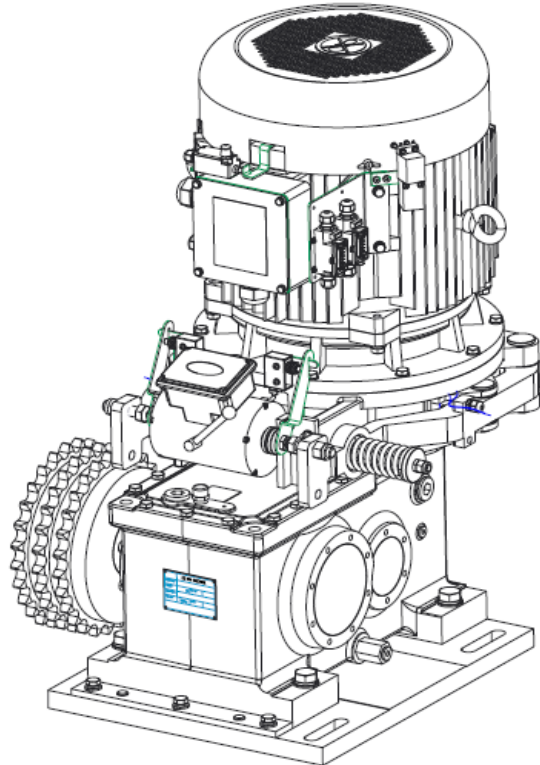
Spare Parts Leaflet  
06-DAA20401AM  
12/29/2022 Page 1 of 41



Standard



( Option for MOD)



Unpublished Work—© Otis Elevator Co.

# OTIS

**Safety First!**

**ESCALATOR ENGINEERING**  
Otis Elevator Company  
OEC SHANGHAI



ESC-MACHINE(ShangHai)

**ESCALATOR  
MACHINE EMC-H1/  
EC-WH-G/EM-H2-G  
(FTSST158 GEARBOX)**

**Spare Parts Leaflet  
06-DAA20401AM  
05/11/2016 Page 2 of 36**

**Leaflet Description**

Machine EMC-H1/EC-WH-G/EM-H2-G(FTSST158 )

for Escalator 515NPE-L,520NPE,610NPT,XOP,XOPE,X21-NP/513NPE-SR/S/L/513MPE

**Original:**

Prepared by	Date	Checked by	Date	Approved by	Date
Mark Zhao	2016-11-14	Bingyin Cheng	2016-12-7	Meng Gao	2016-12-9

**Leaflet Revisions**

Date Revised	Subject Matter Expert	Reason for Revision
Nov.14th	Jesse Yang	Original document, CN957112
March. 14.2018	Jidong.Qiu	Page 6/7/8/11/12/18/31/32/35, added CSA parts 284-379, .CNT1800114, Jidong.Qiu
Jun 24, 2019	Honglei Qu	P34 change 13L to 10L, P31, 238 was DAA177DK, P35 Insert 381-383,CNT1900753;
Nov.28,2019	Huang Ling	P30, No. 232 233, was M16X45; P32, Part no.377 to be GBA177HA1; P33,Add new part no. 384 389-392 for oil level and temperature switch,P32 add new part no.385-388 for low smoke zero halogen antflaming cable,CNT1901392
May 15,2020	Honglei Qu	Insert P30,31,32,33; P34,Insert 393,394,CNT2000539
Dec 29,2022	Bingyin Cheng	P39,Change 259,260 to DAA33AD3, CNT2201171

**Related Drawings**

Drawing No.	Title	Drawing No.	Title
DAA20401AM	Machine EC-WH-G(FTSST158)		

**Related Documents**

Document ID	Title
DAA20401AM_ODS	Machine EC-WH-G(FTSST158)

**Subject Matter Expert**

Name	Department
Yang Jianye Jesse	Escalator Machine(Shanghai)

**About Spare Parts Leaflets**



ESC-MACHINE(ShangHai)

**ESCALATOR  
MACHINE EMC-H1/  
EC-WH-G/EM-H2-G**

**(FTSST158 GEARBOX)**

**Spare Parts Leaflet**

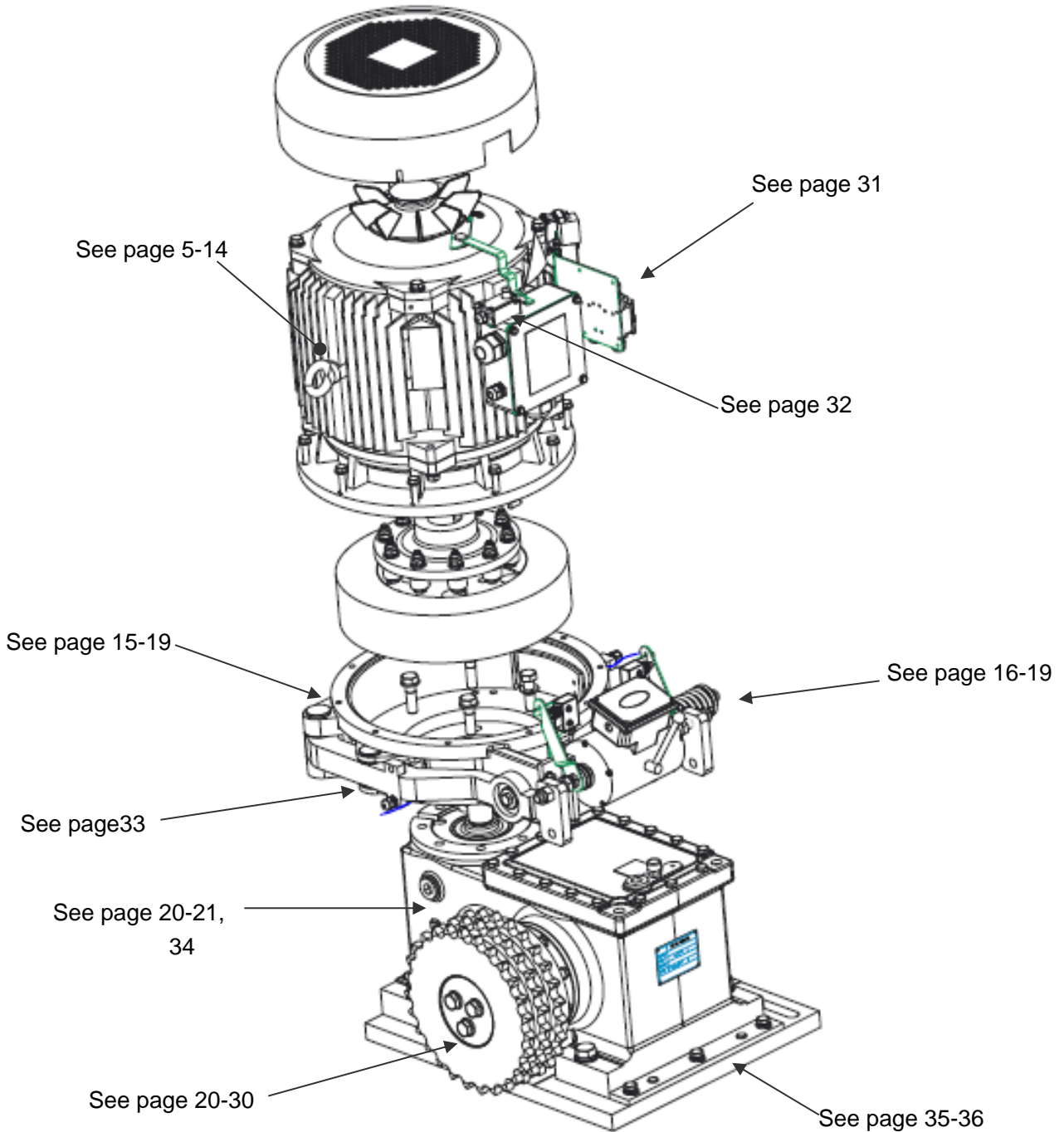
**06-DAA20401AM**

**05/11/2016 Page 3 of 36**

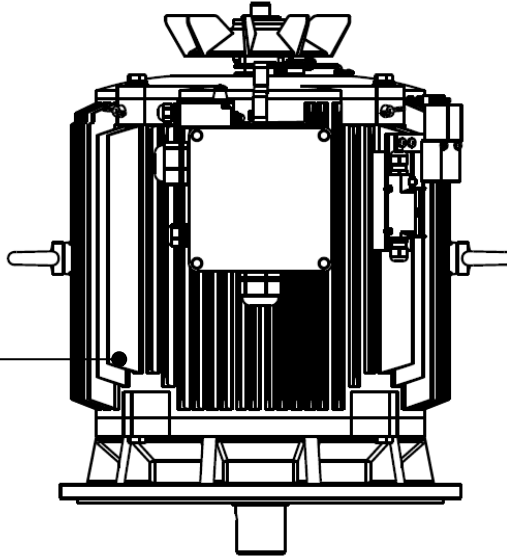
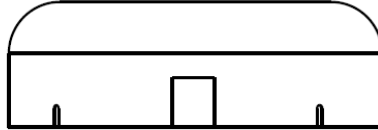
This document lists the lowest replaceable units (LRUs) for the standard version of the product. The LRUs are chosen by a team of Otis associates representing engineering and manufacturing.

While goal of this document is to make parts identification as easy as possible, the document cannot be all-inclusive. Elevator and escalator contracts classified as “special” or “custom” are not addressed here. For such contracts, please refer to specified information, the contract folder, TIPs, Field Education Articles, Construction Letters, etc. for further information.

If you have any suggestions about this document, please contact the subject matter expert listed on this page.



**MOTOR FOR INDOOR**



1- 36  
CSA:296-325

DAA20401AM			
REF . No	PART No.	DESCRIPTION	Quantity
1	DAA20550E9	Motor (380V, 18.5kW, 50Hz, 1500rpm, IP55, IE2,with OS, indoor)	1
2	DAA20550E10	Motor (380V, 18.5kW, 50Hz, 1500rpm, IP55, IE2,without OS, indoor)	
3	DAA20550E11	Motor (380V, 18.5kW, 60Hz, 1200rpm, IP55, IE2,with OS, indoor)	
9	DAA20550E12	Motor (380V, 18.5kW, 60Hz, 1200rpm, IP55, IE2,without OS, indoor)	
5	DAA20550E25	Motor (380V, 18.5kW, 50Hz, 1000rpm, IP55, IE2,with OS, indoor)	
6	DAA20550E26	Motor (380V, 18.5kW, 50Hz, 1000rpm, IP55, IE2,without OS, indoor)	
7	DAA20550AC7	Motor (380V, 15kW, 50Hz, 1500rpm, IP55, IE2,with OS, indoor)	
8	DAA20550AC8	Motor (380V, 15kW, 50Hz, 1500rpm, IP55, IE2,without OS, indoor)	
9	DAA20550AC9	Motor (380V, 15kW, 60Hz, 1200rpm, IP55, IE2,with OS, indoor)	
10	DAA20550AC10	Motor (380V, 15kW, 60Hz, 1200rpm, IP55, IE2,without OS, indoor)	
11	DAA20550AC11	Motor (380V, 15kW, 50Hz, 1000rpm, IP55, IE2,with OS, indoor)	
12	DAA20550AC12	Motor (380V, 15kW, 50Hz, 1000rpm, IP55, IE2,without OS, indoor)	



ESC-MACHINE(ShangHai)

**ESCALATOR  
MACHINE EMC-H1/  
EC-WH-G/EM-H2-G  
(FTSST158 GEARBOX)**

**Spare Parts Leaflet  
06-DAA20401AM  
05/11/2016 Page 6 of 36**

13	DAA20550AC1	Motor (380V, 11kW, 50Hz, 1500rpm, IP55, IE2,with OS, indoor)	
19	DAA20550AC2	Motor (380V, 11kW, 50Hz, 1500rpm, IP55, IE2,without OS, indoor)	
15	DAA20550AC3	Motor (380V, 11kW, 60Hz, 1200rpm, IP55, IE2,with OS, indoor)	
16	DAA20550AC4	Motor (380V, 11kW, 60Hz, 1200rpm, IP55, IE2,without OS, indoor)	
17	DAA20550AC5	Motor (380V, 11kW, 50Hz, 1000rpm, IP55, IE2,with OS, indoor)	
18	DAA20550AC6	Motor (380V, 11kW, 50Hz, 1000rpm, IP55, IE2,without OS, indoor)	
19	DAA20550E55	Motor (380V, 18.5kW, 50Hz, 1500rpm, IP55, IE3,with OS, indoor)	
20	DAA20550E56	Motor (380V, 18.5kW, 50Hz, 1500rpm, IP55, IE3,without OS, indoor)	
21	DAA20550E53	Motor (380V, 18.5kW, 60Hz, 1200rpm, IP55, IE3,with OS, indoor)	
22	DAA20550E54	Motor (380V, 18.5kW, 60Hz, 1200rpm, IP55, IE3,without OS, indoor)	
23	DAA20550E51	Motor (380V, 18.5kW, 50Hz, 1000rpm, IP55, IE3,with OS, indoor)	
29	DAA20550E52	Motor (380V, 18.5kW, 50Hz, 1000rpm, IP55, IE3,without OS, indoor)	
25	DAA20550AC57	Motor (380V, 15kW, 50Hz, 1500rpm, IP55, IE3,with OS, indoor)	
26	DAA20550AC58	Motor (380V, 15kW, 50Hz, 1500rpm, IP55, IE3,without OS, indoor)	
27	DAA20550AC59	Motor (380V, 15kW, 60Hz, 1200rpm, IP55, IE3,with OS, indoor)	
28	DAA20550AC60	Motor (380V, 15kW, 60Hz, 1200rpm, IP55, IE3,without OS, indoor)	
29	DAA20550AC61	Motor (380V, 15kW, 50Hz, 1000rpm, IP55, IE3,with OS, indoor)	
30	DAA20550AC62	Motor (380V, 15kW, 50Hz, 1000rpm, IP55, IE3,without OS, indoor)	
31	DAA20550AC51	Motor (380V, 11kW, 50Hz, 1500rpm, IP55, IE3,with OS, indoor)	
32	DAA20550AC52	Motor (380V, 11kW, 50Hz, 1500rpm, IP55, IE3,without OS, indoor)	
33	DAA20550AC53	Motor (380V, 11kW, 60Hz, 1200rpm, IP55, IE3,with OS, indoor)	
39	DAA20550AC54	Motor (380V, 11kW, 60Hz, 1200rpm, IP55, IE3,without OS, indoor)	
35	DAA20550AC55	Motor (380V, 11kW, 50Hz, 1000rpm, IP55, IE3,with OS, indoor)	
36	DAA20550AC56	Motor (380V, 11kW, 50Hz, 1000rpm, IP55, IE3,without OS, indoor)	
284	DAA20550 AC 13	Motor (200/220V,11kW, 60Hz, 1200rpm,IP55, IE2, with OS, indoor,CSA)	
285	DAA20550 AC 14	Motor (200/220V,11kW, 60Hz,1200rpm,IP55, IE2,without OS, indoor,CSA)	
286	DAA20550AC15	Motor (480V,11kW, 60Hz, 1200rpm,IP55, IE2, with OS, indoor,CSA)	
287	DAA20550AC16	Motor (480V,11kW, 60Hz, 1200rpm,IP55, IE2, without OS, indoor,CSA)	
288	DAA20550AC17	Motor (600V,11kW, 60Hz, 1200rpm,IP55, IE2, with OS, indoor,CSA)	
289	DAA20550AC18	Motor (600V,11kW, 60Hz, 1200rpm,IP55, IE2, without OS, indoor,CSA)	



ESC-MACHINE(ShangHai)

**ESCALATOR  
MACHINE EMC-H1/  
EC-WH-G/EM-H2-G**

**(FTSST158 GEARBOX)**

**Spare Parts Leaflet**

**06-DAA20401AM**

**05/11/2016 Page 7 of 36**

290	DAA20550AC19	Motor (200/220V,15kW, 60Hz, 1200rpm,IP55, IE2, with OS, indoor),CSA	
291	DAA20550AC20	Motor (200/220V,15kW, 60Hz, 1200rpm,IP55, IE2, without OS, indoor,CSA)	
292	DAA20550AC21	Motor (480V,15kW, 60Hz, 1200rpm,IP55, IE2, with OS, indoor,CSA)	
293	DAA20550AC22	Motor (480V,15kW, 60Hz, 1200rpm,IP55, IE2, without OS, indoor,CSA)	
294	DAA20550AC23	Motor (600V,15KW, 60Hz, 1200rpm,IP55, IE2, with OS, indoor,CSA)	
295	DAA20550AC24	Motor (600V,15KW, 60Hz, 1200rpm,IP55, IE2, without OS, indoor,CSA)	
296	DAA20550E61	Motor (200/220V,18.5kW, 60Hz, 1200rpm,IP55, IE2, with OS, indoor,CSA)	
297	DAA20550E62	Motor(200/220V,18.5kW, 60Hz,1200rpm,IP55,IE2,without OS, indoor,CSA)	
298	DAA20550E63	Motor (480V,18.5kW, 60Hz, 1200rpm,IP55, IE2, with OS, indoor,CSA)	
299	DAA20550E64	Motor (480V,18.5kW, 60Hz, 1200rpm,IP55, IE2, without OS, indoor,CSA)	
300	DAA20550E65	Motor (600V,18.5kW, 60Hz, 1200rpm,IP55, IE2, with OS, indoor,CSA)	
301	DAA20550E66	Motor (600V,18.5kW, 60Hz, 1200rpm,IP55, IE2, without OS, indoor,CSA)	
302	DAA20550E67	Motor (200/220V,15kW, 60Hz, 1200rpm,IP55, IE2, with OS, indoor,CSA)	
303	DAA20550E68	Motor (200/220V,15kW, 60Hz, 1200rpm,IP55, IE2, without OS, indoor,CSA)	
304	DAA20550E69	Motor (480V,15kW, 60Hz, 1200rpm,IP55, IE2, with OS, indoor,CSA)	
305	DAA20550E70	Motor (480V,15kW, 60Hz, 1200rpm,IP55, IE2, without OS, indoor,CSA)	
306	DAA20550E71	Motor (600V,15KW, 60Hz, 1200rpm,IP55, IE2, with OS, indoor,CSA)	
307	DAA20550E72	Motor (600V,15KW, 60Hz, 1200rpm,IP55, IE2, without OS, indoor,CSA)	
308	DAA20550E73	Motor (200/220V,22kW, 60Hz, 1200rpm,IP55, IE2, with OS, indoor,CSA)	
309	DAA20550E74	Motor (200/220V,22kW, 60Hz, 1200rpm,IP55, IE2, without OS, indoor,CSA)	
310	DAA20550E75	Motor (480V,22kW, 60Hz, 1200rpm,IP55, IE2, with OS, indoor,CSA)	
311	DAA20550E76	Motor (480V,22kW, 60Hz, 1200rpm,IP55, IE2, without OS, indoor,CSA)	
312	DAA20550E77	Motor (600V,22KW, 60Hz, 1200rpm,IP55, IE2, with OS, indoor,CSA)	
313	DAA20550E78	Motor (600V,22KW, 60Hz, 1200rpm,IP55, IE2, without OS, indoor,CSA)	
314	DAA20550E79	Motor (200/220V,24kW, 60Hz, 1200rpm,IP55, IE2, with OS, indoor,CSA)	
315	DAA20550E80	Motor (200/220V,24kW, 60Hz, 1200rpm,IP55, IE2, without OS, indoor,CSA)	
316	DAA20550E81	Motor (480V,24kW, 60Hz, 1200rpm,IP55, IE2, with OS, indoor,CSA)	



ESC-MACHINE(ShangHai)

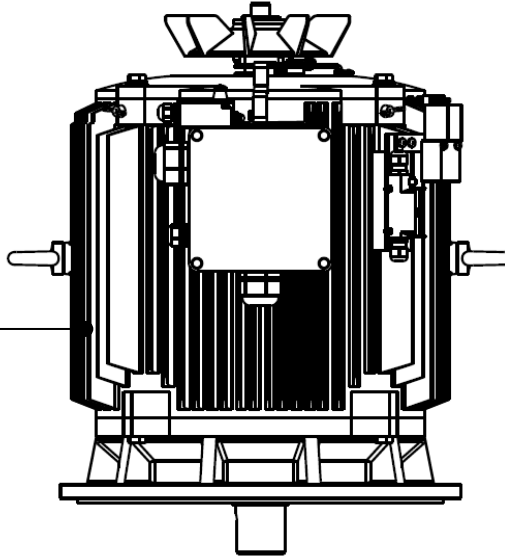
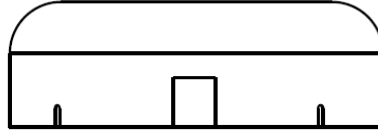
**ESCALATOR  
MACHINE EMC-H1/  
EC-WH-G/EM-H2-G  
(FTSST158 GEARBOX)**

**Spare Parts Leaflet  
06-DAA20401AM  
05/11/2016 Page 8 of 36**

317	DAA20550E82	Motor (480V,24kW, 60Hz, 1200rpm,IP55, IE2, without OS, indoor,CSA)	
318	DAA20550E83	Motor (600V,24KW, 60Hz, 1200rpm,IP55, IE2, with OS, indoor,CSA)	
319	DAA20550E84	Motor (600V,24KW, 60Hz, 1200rpm,IP55, IE2, without OS, indoor,CSA)	
320	DAA20550E85	Motor (200/220V,30kW, 60Hz, 1200rpm,IP55, IE2, with OS, indoor,CSA)	
321	DAA20550E86	Motor (200/220V,30kW, 60Hz, 1200rpm,IP55, IE2, without OS, indoor,CSA)	
322	DAA20550E87	Motor (480V,30kW, 60Hz, 1200rpm,IP55, IE2, with OS, indoor,CSA)	
323	DAA20550E88	Motor (480V,30kW, 60Hz, 1200rpm,IP55, IE2, without OS, indoor,CSA)	
324	DAA20550E89	Motor (600V,30KW, 60Hz, 1200rpm,IP55, IE2, with OS, indoor,CSA)	
325	DAA20550E90	Motor (600V,30KW, 60Hz, 1200rpm,IP55, IE2, without OS, indoor,CSA)	



**MOTOR FOR OUTDOOR/SEMI-OUTDOOR**



37- 72  
CSA:326-327

REF . No	PART No.	DESCRIPTION	Quantity
	DAA20401AM		
37	DAA20550E109	Motor (380V, 18.5kW, 50Hz, 1500rpm, IP55, IE2, with OS, outdoor /semi -outdoor)	1
38	DAA20550E110	Motor (380V, 18.5kW, 50Hz, 1500rpm, IP55, IE2, without OS, outdoor /semi -outdoor)	
39	DAA20550E111	Motor (380V, 18.5kW, 60Hz, 1200rpm, IP55, IE2, with OS, outdoor /semi -outdoor)	
40	DAA20550E112	Motor (380V, 18.5kW, 60Hz, 1200rpm, IP55, IE2, without OS, outdoor /semi -outdoor)	
41	DAA20550E125	Motor (380V, 18.5kW, 50Hz, 1000rpm, IP55, IE2, with OS, outdoor /semi -outdoor)	
42	DAA20550E126	Motor (380V, 18.5kW, 50Hz, 1000rpm, IP55, IE2, without OS, outdoor /semi -outdoor)	
43	DAA20550AC107	Motor (380V, 15kW, 50Hz, 1500rpm, IP55, IE2, with OS, outdoor /semi -outdoor)	
44	DAA20550AC108	Motor (380V, 15kW, 50Hz, 1500rpm, IP55, IE2, without OS, outdoor /semi -outdoor)	
45	DAA20550AC109	Motor (380V, 15kW, 60Hz, 1200rpm, IP55, IE2, with OS, outdoor /semi -outdoor)	
46	DAA20550AC110	Motor (380V, 15kW, 60Hz, 1200rpm, IP55, IE2, without OS, outdoor /semi -outdoor)	



ESC-MACHINE(ShangHai)

**ESCALATOR  
MACHINE EMC-H1/  
EC-WH-G/EM-H2-G  
(FTSST158 GEARBOX)**

**Spare Parts Leaflet  
06-DAA20401AM  
05/11/2016 Page 10 of 36**

47	DAA20550AC111	Motor (380V,15kW, 50Hz, 1000rpm,IP55, IE2, with OS, outdoor /semi-outdoor)
48	DAA20550AC112	Motor (380V, 15kW, 50Hz, 1000rpm, IP55, IE2, without OS, outdoor /semi-outdoor)
49	DAA20550AC101	Motor (380V,11kW, 50Hz, 1500rpm,IP55, IE2, with OS, outdoor /semi-outdoor)
50	DAA20550AC102	Motor (380V, 11kW, 50Hz, 1500rpm, IP55, IE2, without OS, outdoor /semi-outdoor)
51	DAA20550AC103	Motor (380V,11kW, 60Hz, 1200rpm,IP55, IE2, with OS, outdoor /semi-outdoor)
52	DAA20550AC104	Motor (380V, 11kW, 60Hz, 1200rpm, IP55, IE2, without OS, outdoor /semi-outdoor)
53	DAA20550AC105	Motor (380V,11kW, 50Hz, 1000rpm,IP55, IE2, with OS, outdoor /semi-outdoor)
59	DAA20550AC106	Motor (380V, 11kW, 50Hz, 1000rpm, IP55, IE2, without OS, outdoor /semi-outdoor)
55	DAA20550E155	Motor (380V, 18.5kW, 50Hz, 1500rpm, IP55, IE3, with OS, outdoor /semi-outdoor)
56	DAA20550E156	Motor (380V, 18.5kW, 50Hz, 1500rpm, IP55, IE3, without OS, outdoor /semi-outdoor)
57	DAA20550E153	Motor (380V, 18.5kW, 60Hz, 1200rpm, IP55, IE3, with OS, outdoor /semi-outdoor)
58	DAA20550E154	Motor (380V, 18.5kW, 60Hz, 1200rpm, IP55, IE3, without OS, outdoor /semi-outdoor)
59	DAA20550E151	Motor (380V, 18.5kW, 50Hz, 1000rpm, IP55, IE3, with OS, outdoor /semi-outdoor)
60	DAA20550E152	Motor (380V, 18.5kW, 50Hz, 1000rpm, IP55, IE3, without OS, outdoor /semi-outdoor)
61	DAA20550AC157	Motor (380V, 15kW, 50Hz, 1500rpm, IP55, IE3, with OS, outdoor /semi-outdoor)
62	DAA20550AC158	Motor (380V, 15kW, 50Hz, 1500rpm, IP55, IE3, without OS, outdoor /semi-outdoor)
63	DAA20550AC159	Motor (380V, 15kW, 60Hz, 1200rpm, IP55, IE3, with OS, outdoor /semi-outdoor)
69	DAA20550AC160	Motor (380V, 15kW, 60Hz, 1200rpm, IP55, IE3, without OS, outdoor /semi-outdoor)
65	DAA20550AC161	Motor (380V, 15kW, 50Hz, 1000rpm, IP55, IE3, with OS, outdoor /semi-outdoor)
66	DAA20550AC162	Motor (380V, 15kW, 50Hz, 1000rpm, IP55, IE3, without OS, outdoor /semi-outdoor)
67	DAA20550AC151	Motor (380V, 11kW, 50Hz, 1500rpm, IP55, IE3, with OS, outdoor /semi-outdoor)
68	DAA20550AC152	Motor (380V, 11kW, 50Hz, 1500rpm, IP55, IE3, without OS, outdoor /semi-outdoor)
69	DAA20550AC153	Motor (380V, 11kW, 60Hz, 1200rpm, IP55, IE3, with OS, outdoor /semi-outdoor)
70	DAA20550AC154	Motor (380V, 11kW, 60Hz, 1200rpm, IP55, IE3, without OS, outdoor /semi-outdoor)
71	DAA20550AC155	Motor (380V, 11kW, 50Hz, 1000rpm, IP55, IE3, with OS, outdoor /semi-outdoor)



ESC-MACHINE(ShangHai)

**ESCALATOR  
MACHINE EMC-H1/  
EC-WH-G/EM-H2-G**

**(FTSST158 GEARBOX)**

**Spare Parts Leaflet**

**06-DAA20401AM**

**05/11/2016 Page 11 of 36**

72	DAA20550AC156	Motor (380V, 11kW, 50Hz, 1000rpm, IP55, IE3, without OS, outdoor /semi-outdoor)	
326	DAA20550AC113	Motor (200/220V,11kW, 60Hz, 1200rpm,IP55, IE2, with OS, outdoor /semi-outdoor,CSA)	
327	DAA20550AC114	Motor (200/220V,11kW, 60Hz, 1200rpm, IP55, IE2, without OS, outdoor /semi-outdoor,CSA)	
328	DAA20550AC115	Motor (480V,11kW, 60Hz, 1200rpm,IP55, IE2, with OS, outdoor /semi-outdoor,CSA)	
329	DAA20550AC116	Motor (480V,11kW, 60Hz, 1200rpm,IP55, IE2, without OS, outdoor /semi-outdoor,CSA)	
330	DAA20550AC117	Motor (600V,11kW, 60Hz, 1200rpm,IP55, IE2, with OS, outdoor /semi-outdoor,CSA)	
331	DAA20550AC118	Motor (600V,11kW, 60Hz, 1200rpm,IP55, IE2, without OS, outdoor /semi-outdoor,CSA)	
332	DAA20550AC119	Motor (200/220V,15kW, 60Hz, 1200rpm,IP55, IE2, with OS, outdoor /semi-outdoor,CSA)	
333	DAA20550AC120	Motor (200/220V,15kW, 60Hz, 1200rpm,IP55, IE2, without OS, outdoor /semi-outdoor,CSA)	
334	DAA20550AC121	Motor (480V,15kW, 60Hz, 1200rpm, IP55, IE2, with OS, outdoor /semi-outdoor,CSA)	
335	DAA20550AC122	Motor (480V,15kW, 60Hz, 1200rpm, IP55, IE2, without OS, outdoor /semi-outdoor,CSA)	
336	DAA20550AC123	Motor (600V,15kW, 60Hz, 1200rpm,IP55, IE2, with OS, outdoor /semi-outdoor,CSA)	
337	DAA20550AC124	Motor (600V,15kW, 60Hz, 1200rpm,IP55, IE2, without OS, outdoor /semi-outdoor,CSA)	
338	DAA20550E161	Motor (200/220V,18.5 kW, 60Hz, 1200rpm,IP55, IE2, with OS, outdoor /semi-outdoor,CSA)	1
339	DAA20550 E162	Motor (200/220V,18.5 kW, 60Hz, 1200rpm, IP55, IE2, without OS, outdoor /semi-outdoor,CSA)	
340	DAA20550E163	Motor (480V,18.5 kW, 60Hz, 1200rpm,IP55, IE2, with OS, outdoor /semi-outdoor,CSA)	
341	DAA20550E164	Motor (480V,18.5 kW, 60Hz, 1200rpm,IP55, IE2, without OS, outdoor /semi-outdoor,CSA)	
342	DAA20550E165	Motor (600V,18.5kW, 60Hz, 1200rpm,IP55, IE2, with OS, outdoor /semi-outdoor,CSA)	
343	DAA20550E166	Motor (600V,18.5kW, 60Hz, 1200rpm,IP55, IE2, without OS, outdoor /semi-outdoor,CSA)	
344	DAA20550E167	Motor (200/220V,15kW, 60Hz, 1200rpm,IP55, IE2, with OS, outdoor /semi-outdoor,CSA)	
345	DAA20550E168	Motor (200/220V,15kW, 60Hz, 1200rpm,IP55, IE2, without OS, outdoor /semi-outdoor,CSA)	
346	DAA20550E169	Motor (480V,15kW, 60Hz, 1200rpm, IP55, IE2, with OS, outdoor /semi-outdoor,CSA)	
347	DAA20550E170	Motor (480V,15kW, 60Hz, 1200rpm, IP55, IE2, without OS, outdoor /semi-outdoor,CSA)	
348	DAA20550E171	Motor (600V,15kW, 60Hz, 1200rpm,IP55, IE2, with OS, outdoor /semi-outdoor,CSA)	
349	DAA20550E172	Motor (600V,15kW, 60Hz, 1200rpm,IP55, IE2, without OS, outdoor /semi-outdoor,CSA)	

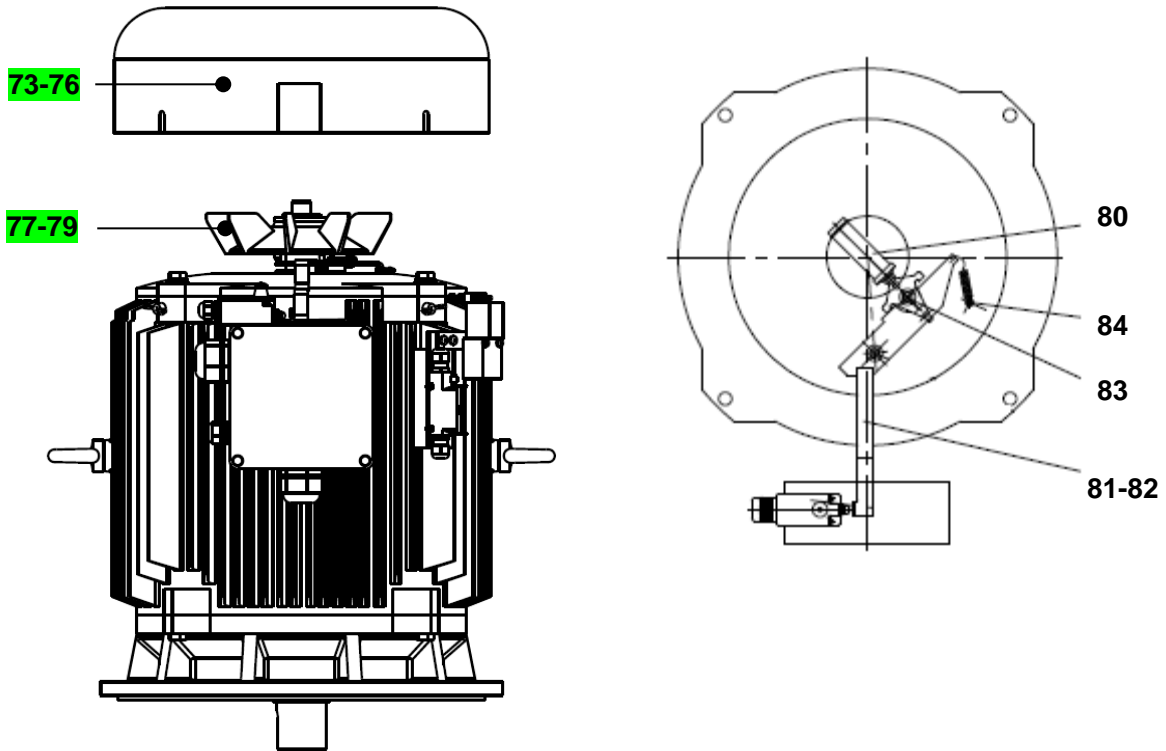


ESC-MACHINE(ShangHai)

**ESCALATOR  
MACHINE EMC-H1/  
EC-WH-G/EM-H2-G  
(FTSST158 GEARBOX)**

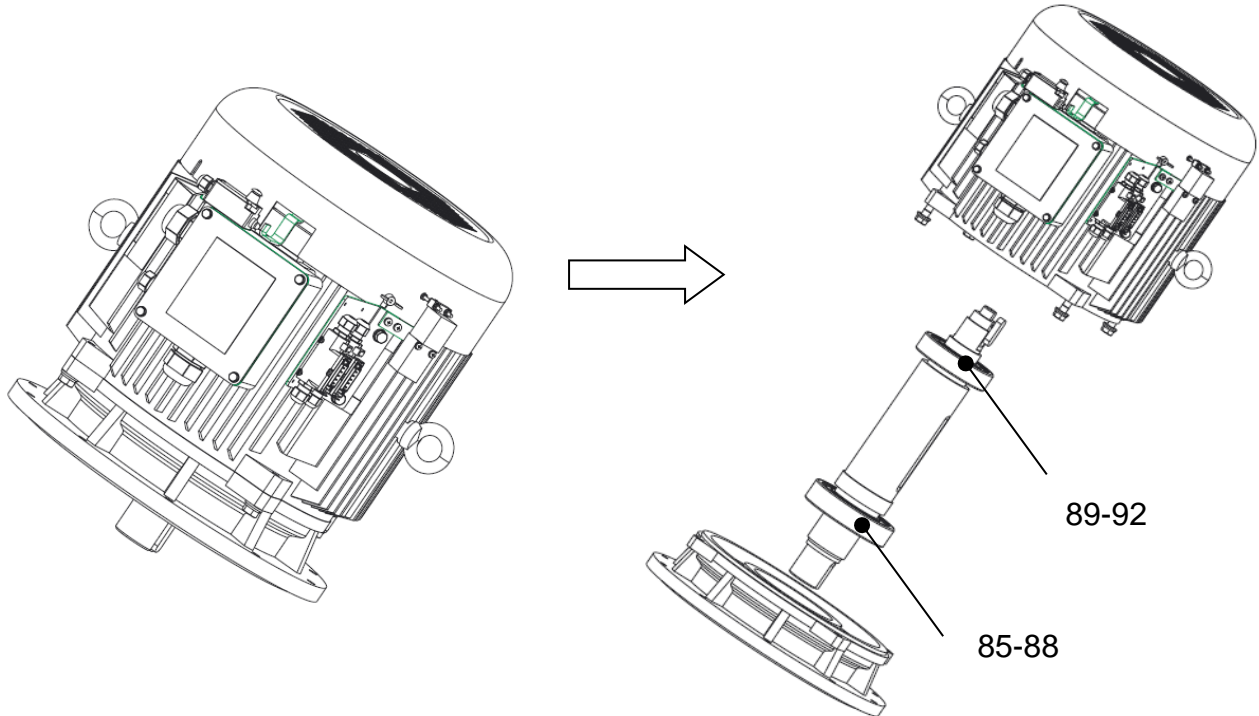
**Spare Parts Leaflet  
06-DAA20401AM  
05/11/2016 Page 12 of 36**

350	DAA20550E173	Motor (200/220V,22kW, 60Hz, 1200rpm,IP55, IE2, with OS, outdoor /semi-outdoor,CSA)
351	DAA20550E174	Motor (200/220V,22kW, 60Hz, 1200rpm,IP55, IE2, without OS, outdoor /semi-outdoor)
352	DAA20550E175	Motor (480V,22kW, 60Hz, 1200rpm, IP55, IE2, with OS, outdoor /semi-outdoor,CSA)
353	DAA20550E176	Motor (480V,22kW, 60Hz, 1200rpm, IP55, IE2, without OS, outdoor /semi-outdoor,CSA)
354	DAA20550E177	Motor (600V,22kW, 60Hz, 1200rpm,IP55, IE2, with OS, outdoor /semi-outdoor,CSA)
355	DAA20550E178	Motor (600V,22kW, 60Hz, 1200rpm,IP55, IE2, without OS, outdoor /semi-outdoor,CSA)
356	DAA20550E179	Motor (200/220V,24kW, 60Hz, 1200rpm,IP55, IE2, with OS, outdoor /semi-outdoor,CSA)
357	DAA20550E180	Motor (200/220V,24kW, 60Hz, 1200rpm,IP55, IE2, without OS, outdoor /semi-outdoor,CSA)
358	DAA20550E181	Motor (480V,24kW, 60Hz, 1200rpm, IP55, IE2, with OS, outdoor /semi-outdoor,CSA)
359	DAA20550E182	Motor (480V,24kW, 60Hz, 1200rpm, IP55, IE2, without OS, outdoor /semi-outdoor,CSA)
360	DAA20550E183	Motor (600V,24kW, 60Hz, 1200rpm,IP55, IE2, with OS, outdoor /semi-outdoor,CSA)
361	DAA20550E184	Motor (600V,24kW, 60Hz, 1200rpm,IP55, IE2, without OS, outdoor /semi-outdoor,CSA)
362	DAA20550E185	Motor (200/220V,30kW, 60Hz, 1200rpm,IP55, IE2, with OS, outdoor /semi-outdoor,CSA)
363	DAA20550E186	Motor (200/220V,30kW, 60Hz, 1200rpm,IP55, IE2, without OS, outdoor /semi-outdoor,CSA)
364	DAA20550E187	Motor (480V,30kW, 60Hz, 1200rpm, IP55, IE2, with OS, outdoor /semi-outdoor,CSA)
365	DAA20550E188	Motor (480V,30kW, 60Hz, 1200rpm, IP55, IE2, without OS, outdoor /semi-outdoor,CSA)
366	DAA20550E189	Motor (600V,30kW, 60Hz, 1200rpm,IP55, IE2, with OS, outdoor /semi-outdoor,CSA)
367	DAA20550E190	Motor (600V,30kW, 60Hz, 1200rpm,IP55, IE2, without OS, outdoor /semi-outdoor,CSA)



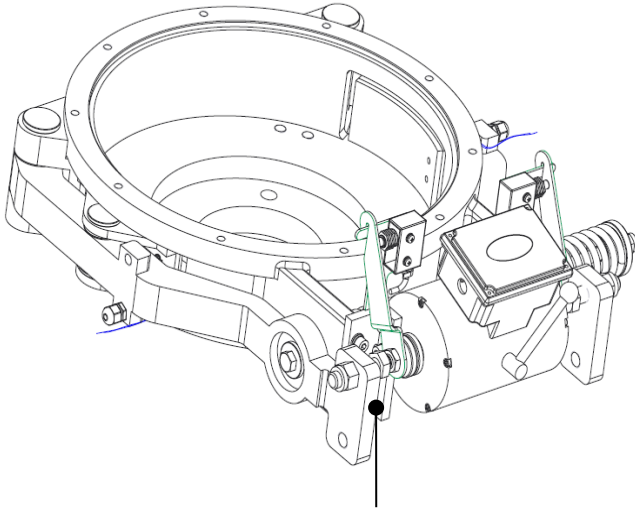
DAA20550E/AC

REF . No	PART No.	DESCRIPTION	Quantity
73	HX122Z1-Blue	Motor cover( 11/15KW@IE2, 11KW@IE3, Indoor)	1
74	HX122Z1-Grey	Motor cover( 11/15KW@IE2, 11KW@IE3,Outdoor)	
75	HX122AP3-Blue	Motor cover( 18.5KW@IE2, 15/18.5KW@IE3, Indoor)	
76	HX122AP3-Grey	Motor cover( 18.5KW@IE2, 15/18.5KW@IE3, outdoor)	
77	HX116M1	Motor fan(11/15KW@1000/1200rpm,IE2; 11KW@ 1000 /1200rpm, IE3)	1
78	HX116V1	Motor fan(18.5KW, IE2; 15 KW ,18.5KW@1000 /1200 rpm, IE3)	
79	HX116Q1	Motor fan(11/15KW@1500rpm, IE2; 11/15 KW @ 1500 rpm, IE3)	
80	HX160A1	Overspeed governor( need note the motor rpm while order)	1
81	HX142CV1	Over speed switch plate(11/15KW,IE2; 11KW, 15KW @1500KW, IE3)	1
82	HX142CV2	Over speed switch plate(18.5KW, IE2; 15KW@ 1000 /1200rpm, 18.5KW, IE3)	
83	HX118A1	Tripper of over speed governor	1
84	HX133C1	Overspeed governor spring	1

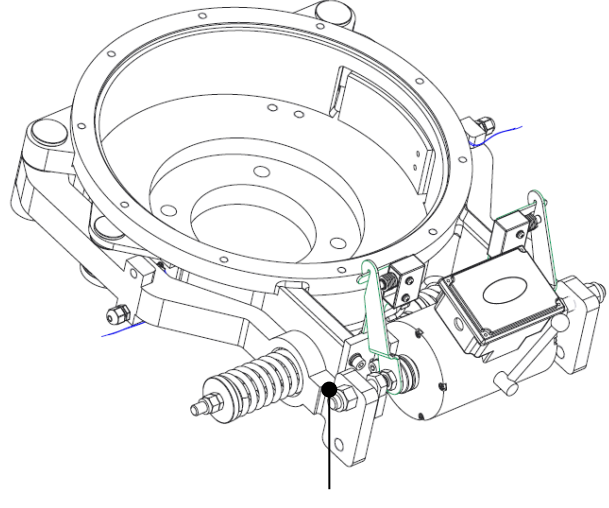


DAA20550E/AC

REF. No	PART No.	DESCRIPTION	Quantity
85	GB/T276 6314 ZZ(SKF)	Motor Bearing(18.5KW,IE2, Coupling side, indoor / outdoor /semi -outdoor)	1
86	GB/T276 6212 ZZ(SKF)	Motor Bearing(11/15KW,IE2, Coupling side, indoor / outdoor /semi -outdoor)	
87	GB/T276 6314 ZZ(SKF)	Motor Bering(15/18.5KW@1000/1200rpm, & 18.5KW @ 1500rpm, IE3, Coupling side, indoor/outdoor /semi -outdoor)	
88	GB/T276 6212 ZZ(SKF)	Motor Bearing(11KW@1000rpm&1200rpm, & 11/15KW@ 1500rpm, IE3, Coupling side, indoor/outdoor /semi -outdoor)	
89	GB/T276 6312 ZZ(SKF)	Motor Bearing( 18.5KW, IE2, Fan side, indoor/outdoor /semi -outdoor)	1
90	GB/T276 6210 ZZ(SKF)	Motor Bearing(11/15KW, IE2, Fan side, indoor/outdoor /semi -outdoor)	
91	GB/T276 6312 ZZ(SKF)	Motor Bering(15/18.5KW @ 1000/1200rpm, & 18.5KW @ 1500rpm, IE3, Fan side, indoor/outdoor /semi -outdoor)	
92	GB/T276 6210 ZZ(SKF)	Motor Bearing(11KW @1000/1200rpm, & 11/15KW @ 1500rpm, , IE3, Fan side, indoor/outdoor /semi -outdoor)	



**93-96**  
**CSA:368-375**



**97-100**

DAA20401AM			
REF. No.	PART No.	DESCRIPTION	Quantity
93	DAA20036M1	Brake system with lining wear monitor, indoor; Others, Right output;	1
94	DAA20036M2	Brake system without lining wear monitor, indoor; others, Right output;	
95	DAA20036M101	Brake system with lining wear monitor, outdoor /semi-outdoor; Others, Right output;	
96	DAA20036M102	Brake system without lining wear monitor, outdoor /semi-outdoor; Others, Right output	
97	DAA20036M3	Brake system with lining wear monitor, indoor; Others, left output;	
98	DAA20036M4	Brake system without lining wear monitor, indoor; others, left output;	
99	DAA20036M103	Brake system with lining wear monitor, outdoor /semi-outdoor; Others, left output;	
100	DAA20036M104	Brake system without lining wear monitor, outdoor /semi-outdoor; Others, left output	
368	DAA20036M5	Brake system with lining wear monitor, indoor Right output,CSA.	
369	DAA20036M6	Brake system without lining wear monitor, indoor; Right output, CSA.	
370	DAA20036M105	Brake system with lining wear monitor, outdoor /semi-outdoor; Right output, CSA.	



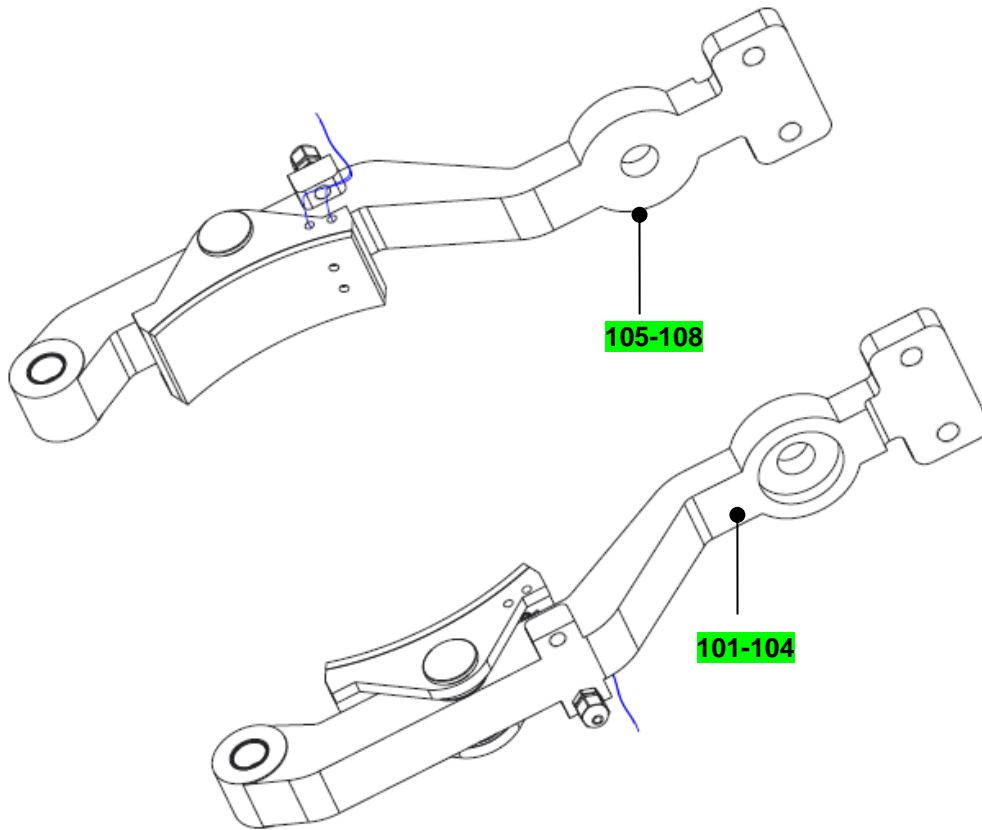
ESC-MACHINE(ShangHai)

**ESCALATOR  
MACHINE EMC-H1/  
EC-WH-G/EM-H2-G  
(FTSST158 GEARBOX)**

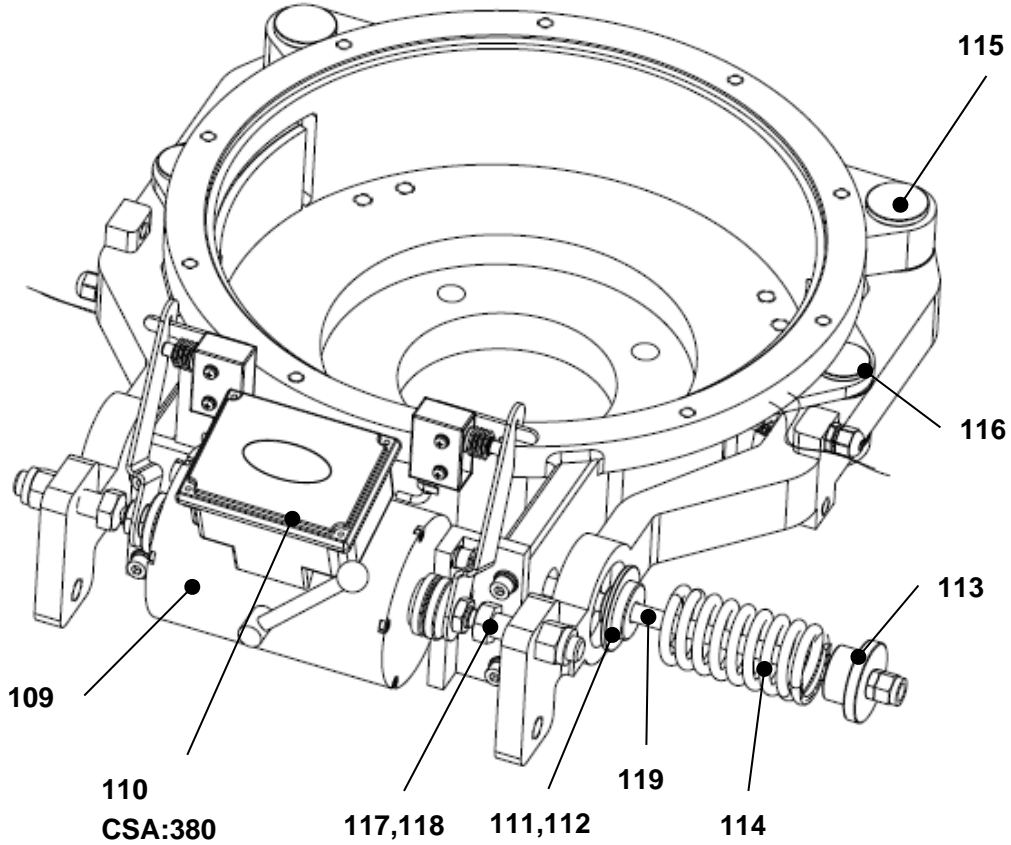
**Spare Parts Leaflet  
06-DAA20401AM  
05/11/2016 Page 16 of 36**

371	DAA20036M106	Brake system without lining wear monitor, outdoor /semi-outdoor; Right output, CSA.	1
372	DAA20036M7	Brake system with lining wear monitor, indoor; left output, CSA.	
373	DAA20036M8	Brake system without lining wear monitor, indoor; left output, CSA.	
374	DAA20036M107	Brake system with lining wear monitor, outdoor /semi-outdoor; Others, left output; CSA.	
375	DAA20036M108	Brake system without lining wear monitor, outdoor /semi-outdoor; left output, CSA.	

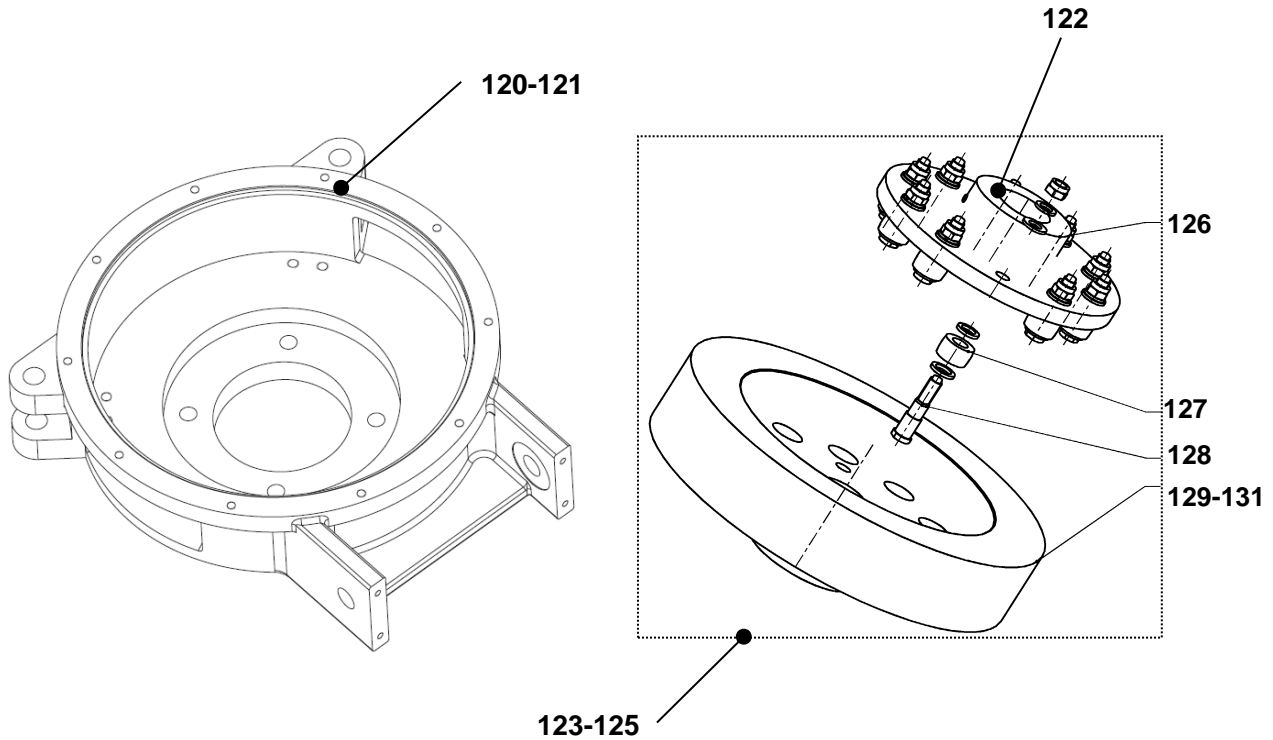




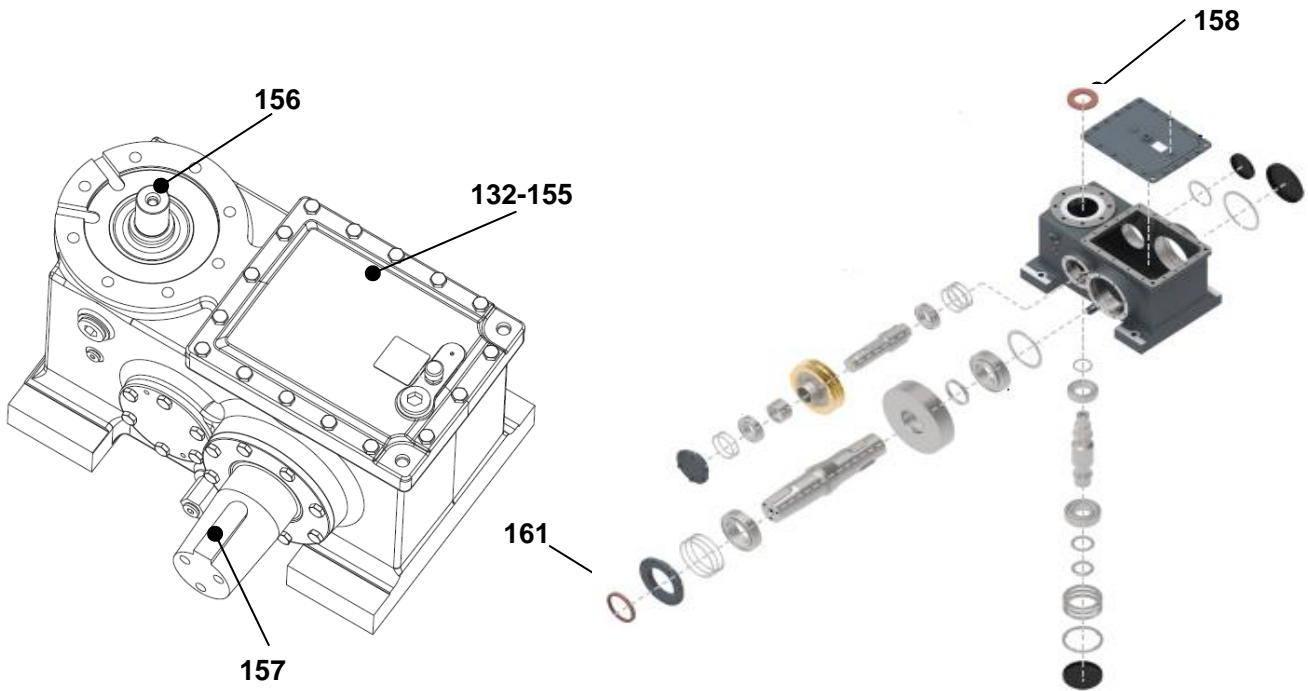
DAA20401AM			
REF. No.	PART No.	DESCRIPTION	Quantity
101	DAA286AD11	Brake arm assembly with lining wear monitor, indoor; Others, Right side;	1
102	DAA286AD31	Brake arm assembly without lining wear monitor, indoor; Others, Right side;	
103	DAA286AD111	Brake arm assembly with lining wear monitor, outdoor /semi-outdoor; Others, Right side;	
104	DAA286AD131	Brake arm assembly without lining wear monitor, outdoor /semi-outdoor; Others, Right side;	
105	DAA286AD21	Brake arm assembly with lining wear monitor, indoor; Others, left side;	1
106	DAA286AD41	Brake arm assembly without lining wear monitor, indoor; Others, left side;	
107	DAA286AD121	Brake arm assembly with lining wear monitor, outdoor /semi-outdoor; Others, left side;	
108	DAA286AD141	Brake arm assembly without lining wear monitor, outdoor /semi-outdoor; Others, left side;	



DAA20401AM			
REF. No.	PART No.	DESCRIPTION	Quantity
109	DAA234AR2	Brake magnet	1
110	DAA234AR1-CB	Circuit board of brake magnet	1
380	DAA234AR1-X00	Circuit board of brake magnet(CSA)	
111	DAA131CT1	Guide Ring, indoor	2
112	DAA131CT101	Guide Ring, outdoor	
113	DAA131CH2	Spring holder	2
114	DAA90AE2	Spring; Others	2
115	DAA81BR1	Brake arm pin	2
116	DAA81ER1	Brake lining pin	2
117	ISO4017M16X60-8.8Z-A7(sunk mark)	Hexagon head screw (sunk mark on bolt head, outdoor/semi-outdoor)	2
118	ISO4017M16X60-8.8Z(sunk mark)	Hexagon head screw (sunk mark on bolt head, indoor)	
119	ISO4017M12X190-8.8Z	Hexagon head screw( Spring guide rod)	2



DAA20401AM			
REF. No.	PART No.	DESCRIPTION	Quantity
120	DAA217G1	Intermediate flange (indoor;)	1
121	DAA217G101	Intermediate flange (outdoor/semi-outdoor;)	
122	DIN6885A-16X10X50	Upper coupling key	1
123	DAA218M11	Coupling assembly( 50Hz,1000rpm @ 11/15/18.5KW; 60Hz,1200rpm @ 15 / 18.5KW)	1
124	DAA218M12	Coupling assembly(60Hz,1200rpm @ 11KW; 50Hz,1500rpm @ 15/18.5KW)	
125	DAA218M13	Coupling assembly(50Hz,1500rpm @ 11KW)	
126	DAA218N1	Coupling upper side	1
127	DAA135EQ1	Coupling rubber bush	10
128	DAA81BQ1	Coupling pin	10
129	DAA218P11	Coupling lower sider ( 50Hz,1000rpm @ 11/15/18.5KW; 60Hz,1200rpm @ 15 / 18.5KW)	1
130	DAA218P12	Coupling lower sider (60Hz,1200rpm @ 11KW; 50Hz,1500rpm @ 15/18.5KW)	
131	DAA218P13	Coupling lower sider (50Hz,1500rpm @ 11KW)	



DAA20000AM			
REF. No.	PART No.	DESCRIPTION	Quantity
132	DAA20000X1	Gear box, Right shaft, AUMA FTSST158/20.4, indoor, blue, without bottom hole;	1
133	DAA20000X101	Gear box, Right shaft, AUMA FTSST158/20.4, outdoor/semi-outdoor , grey, without bottom hole;	
134	DAA20000X2	Gear box, Right shaft, AUMA FTSST158/26, indoor, blue, without bottom hole;	
135	DAA20000X102	Gear box, Right shaft, AUMA FTSST158/26, outdoor/semi-outdoor , grey, without bottom hole;	
136	DAA20000X3	Gear box, Right shaft, AUMA FTSST158/32.5, indoor, blue, without bottom hole;	
137	DAA20000X103	Gear box, Right shaft, AUMA FTSST158/32.5, outdoor/semi-outdoor , grey, without bottom hole;	
138	DAA20000X4	Gear box, Right shaft, AUMA FTSST158/20.4, indoor, blue, with bottom hole;	
139	DAA20000X104	Gear box, Right shaft, AUMA FTSST158/20.4, outdoor/semi-outdoor , grey, with bottom hole;	
140	DAA20000X5	Gear box, Right shaft, AUMA FTSST158/26, indoor, blue, with bottom hole;	
141	DAA20000X105	Gear box, Right shaft, AUMA FTSST158/26, outdoor/semi-outdoor , grey, with bottom hole;	
142	DAA20000X6	Gear box, Right shaft, AUMA FTSST158/32.5, indoor, blue, with bottom hole;	



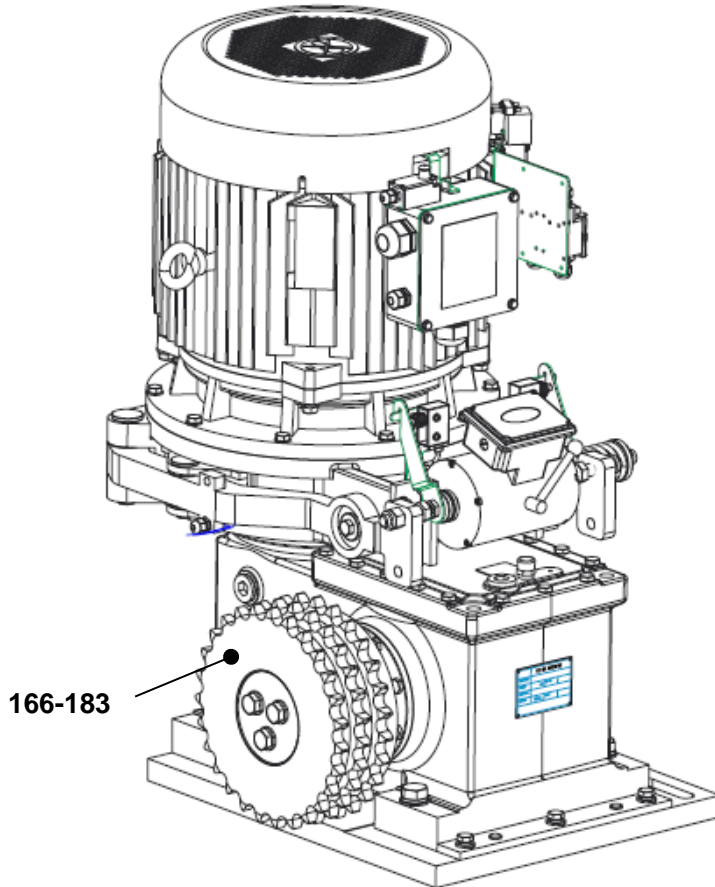
ESC-MACHINE(ShangHai)

**ESCALATOR  
MACHINE EMC-H1/  
EC-WH-G/EM-H2-G  
(FTSST158 GEARBOX)**

**Spare Parts Leaflet  
06-DAA20401AM  
05/11/2016 Page 21 of 36**

143	DAA20000X106	Gear box, Right shaft, AUMA FTSST158/32.5, outdoor/semi-outdoor , grey, with bottom hole;	
144	DAA20000X11	Gear box, Left shaft, AUMA FTSST158/20.4, indoor, blue, without bottom hole;	
145	DAA20000X111	Gear box, Left shaft, AUMA FTSST158/20.4, outdoor/semi-outdoor , grey, without bottom hole;	
146	DAA20000X12	Gear box, Left shaft, AUMA FTSST158/26, indoor, blue, without bottom hole;	
147	DAA20000X112	Gear box, Left shaft, AUMA FTSST158/26, outdoor/semi-outdoor , grey, without bottom hole;	
148	DAA20000X13	Gear box, Left shaft, AUMA FTSST158/32.5, indoor, blue, without bottom hole;	
149	DAA20000X113	Gear box, Left shaft, AUMA FTSST158/32.5, outdoor/semi-outdoor , grey, without bottom hole;	
150	DAA20000X14	Gear box, Left shaft, AUMA FTSST158/20.4, indoor, blue, with bottom hole;	
151	DAA20000X114	Gear box, Left shaft, AUMA FTSST158/20.4, outdoor/semi-outdoor , grey, with bottom hole;	
152	DAA20000X15	Gear box, Left shaft, AUMA FTSST158/26, indoor, blue, with bottom hole;	
153	DAA20000X115	Gear box, Left shaft, AUMA FTSST158/26, outdoor/semi-outdoor , grey, with bottom hole;	
154	DAA20000X16	Gear box, Left shaft, AUMA FTSST158/32.5, indoor, blue, with bottom hole;	
155	DAA20000X116	Gear box, Left shaft, AUMA FTSST158/32.5, outdoor/semi-outdoor , grey, with bottom hole;	
156	DIN6885 A12X8X50	Key (Input shaft side)	1
157	DIN6885 AB25X14X87.5	Key (Output shaft side)	1
158	Din3760 AS55X100X10 - 70..80FKM-G (D052.817)	Radial oil seal, input shaft side	1
159	Din720-33210-J (D052.001)	Tapered roller bearing(SKF), second shaft	2
160	Din720-33018-J (D052.816)	Tapered roller bearing(SKF), output shaft	2
161	DIN3760-AS90X110X12-70..80FKM-G (D052.646)	Radial oil seal, output shaft side	1
162	DIN625-6211-RS-J/M(D052.779)	Deep groove ball bearing, input shaft, upside	1
163	DIN628-QJ-211-TN(D052.821)	Angular ball bearing, input shaft, downside	1
164	CBB4-12GH60-E2-V1	Oil position sensor( P+F)	1
165		Vibration sensor	1

**Indoor**



DAA20401AM				
RE F. No.	PART No.	DESCRIPTION	System	Quantity
166	DAA195CA1	Sprocket, teeth 18, indoor ,ratio 26, 50HZ,1500rpm, 0.5m/s, triple chain	610NPT/XO-21NP/XOPE/XOP	1 (20A)
		Sprocket, teeth 18, indoor ,ratio 20.4, 60HZ,1200rpm, 0.5m/s, triple chain	610NPT/XO-21NP/XOPE/XOP	
		Sprocket, teeth 18, indoor ,ratio 20.4, 50HZ,1500rpm, 0.65m/s, triple chain	XOPE/XOP	
167	DAA195CA2	Sprocket, teeth 19, indoor ,ratio26 ,50HZ, 1500rpm,0.5m/s, triple chain	515NPE-L/520NPE	
		Sprocket, teeth 19, indoor ,ratio20.4 ,60HZ, 1200rpm,0.5m/s, triple chain	515NPE-L/520NPE	
		Sprocket, teeth 19, indoor ,ratio20.4 ,50HZ, 1500rpm,0.65m/s, triple chain	520NPE/610 NPT/XO-21NP	



ESC-MACHINE(ShangHai)

**ESCALATOR  
MACHINE EMC-H1/  
EC-WH-G/EM-H2-G**

**(FTSST158 GEARBOX)**

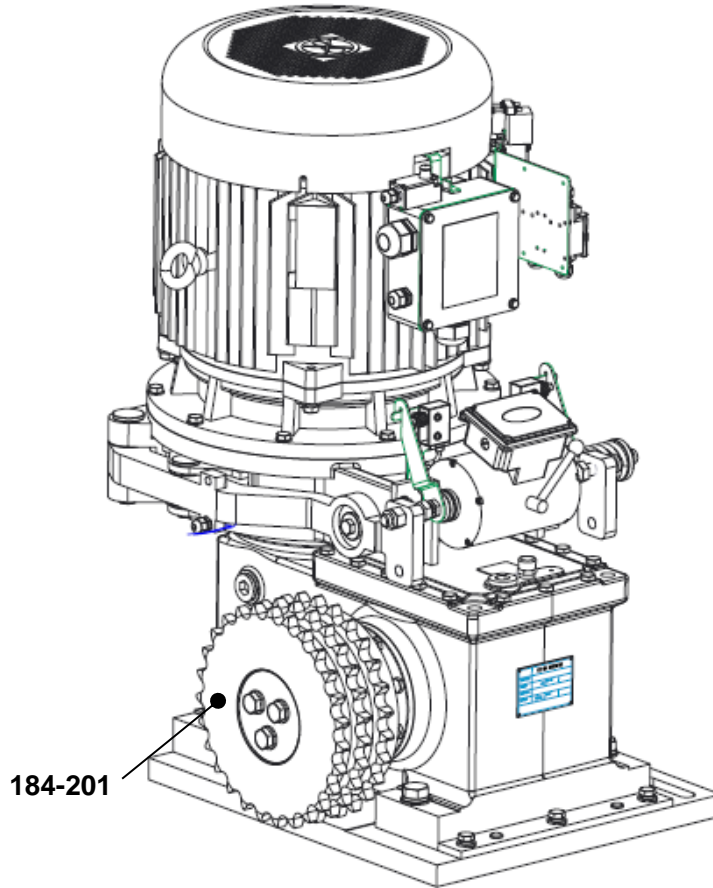
**Spare Parts Leaflet**

**06-DAA20401AM**

**05/11/2016 Page 23 of 36**

168	DAA195CA3	Sprocket, teeth 20, indoor ,ratio20.4 ,50HZ, 1500rpm,0.65m/s, triple chain	515NPE-L	
169	DAA195CA4	Sprocket, teeth 21, indoor ,ratio20.4 ,50HZ, 1500rpm,0.75m/s, triple chain	XOPE/XOP	
		Sprocket, teeth 21, indoor ,ratio20.4 ,50HZ, 1000rpm,0.5m/s, triple chain	XOPE	
170	DAA195CA5	Sprocket, teeth 22, indoor ,ratio20.4 ,50HZ, 1500rpm,0.75m/s, triple chain	520NPE/610 NPT/XO-21NP	
		Sprocket, teeth 22, indoor ,ratio20.4 ,50HZ, 1000rpm,0.5m/s, triple chain	520NPE/610 NPT/XO-21NP/XOP	
171	DAA195CA6	Sprocket, teeth 23, indoor ,ratio20.4 ,50HZ, 1000rpm,0.5m/s, triple chain	515NPE-L	
		Sprocket, teeth 23, indoor ,ratio20.4 ,60HZ, 1200rpm,0.65m/s, triple chain	610NPT/XO-21NP/XOPE/XOP	
172	DAA195CA7	Sprocket, teeth 24, indoor ,ratio20.4 ,60HZ, 1200rpm,0.65m/s, triple chain	520NPE	
173	DAA195CA8	Sprocket, teeth 25, indoor ,ratio20.4 ,60HZ, 1200rpm,0.65m/s, triple chain	515NPE-L	
174	DAA195CA9	Sprocket, teeth 26, indoor ,ratio20.4 ,60HZ, 1200rpm,0.75m/s, triple chain	XOPE	
175	DAA195CA10	Sprocket, teeth 27, indoor , triple chain		
176	DAA195CA11	Sprocket, teeth 28, indoor , triple chain		
177	DAA195CB1	Sprocket, teeth 17, indoor , triple chain		
178	DAA195CB2	Sprocket, teeth 18, indoor , triple chain		
179	DAA195CB3	Sprocket, teeth 19, indoor ,ratio20.4 ,50HZ, 1500rpm,0.75m/s, triple chain		
		Sprocket, teeth 19, indoor ,ratio20.4 ,50HZ, 1000rpm,0.5m/s, triple chain		
180	DAA195CB4	Sprocket, teeth 20, indoor ,ratio 32.5 ,50HZ, 1500rpm,0.5m/s, triple chain	520NPE	1 (24B)
		Sprocket, teeth 20, indoor ,ratio26 ,60HZ, 1200rpm,0.5m/s, triple chain		
		Sprocket, teeth 20, indoor ,ratio20.4 ,60HZ, 1200rpm,0.65m/s, triple chain		
181	DAA195CB5	Sprocket, teeth 21, indoor ,ratio26 ,50HZ, 1500rpm,0.65m/s, triple chain		
182	DAA195CB6	Sprocket, teeth 22, indoor , triple chain		
183	DAA195CB7	Sprocket, teeth 23, indoor , triple chain		

**OUTDOOR/SEMI-OUTDOOR**



DAA20401AM				
REF. No.	PART No.	DESCRIPTION	System	Quantity
184	DAA195CA101	Sprocket, teeth 18, outdoor/semi-outdoor ,ratio 26, 50HZ, 1500rpm, 0.5m/s, triple chain	610NPT/XO-21NP/XOPE/XOP	1 (20A)
		Sprocket, teeth 18, outdoor/semi-outdoor ,ratio 20.4, 60HZ, 1200rpm, 0.5m/s, triple chain	610NPT/XO-21NP/XOPE/XOP	
		Sprocket, teeth 18, outdoor/semi-outdoor ,ratio 20.4, 50HZ, 1500rpm, 0.65m/s, triple chain	XOPE/XOP	
185	DAA195CA102	Sprocket, teeth 19, outdoor/semi-outdoor ,ratio26 ,50HZ, 1500rpm,0.5m/s, triple chain	515NPE-L/520NPE	
		Sprocket, teeth 19, outdoor/semi-outdoor ,ratio20.4 ,60HZ, 1200rpm,0.5m/s, triple chain	515NPE-L/520NPE	
		Sprocket, teeth 19, outdoor/semi-outdoor ,ratio20.4 ,50HZ, 1500rpm, 0.65m/s, triple chain	520NPE/610NPT/XO-21NP	
186	DAA195CA103	Sprocket, teeth 20, outdoor/semi-outdoor ,ratio20.4 ,50HZ, 1500rpm, 0.65m/s, triple chain	515NPE-L	





ESC-MACHINE(ShangHai)

**ESCALATOR  
MACHINE EMC-H1/  
EC-WH-G/EM-H2-G**

**(FTSST158 GEARBOX)**

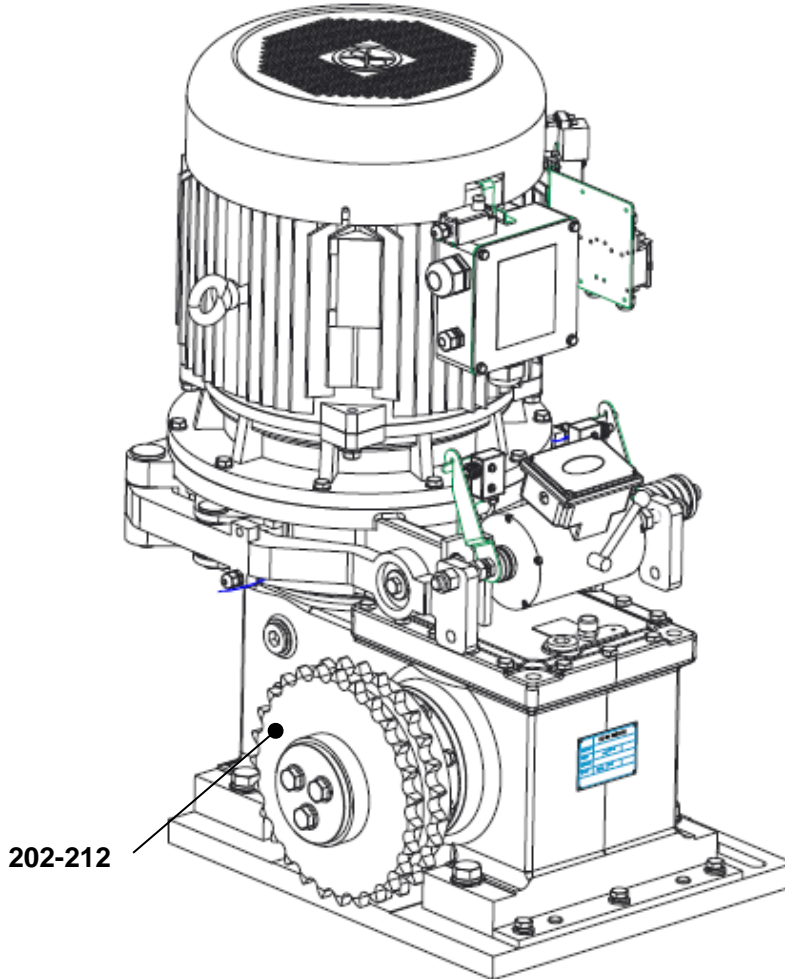
**Spare Parts Leaflet**

**06-DAA20401AM**

**05/11/2016 Page 25 of 36**

187	DAA195CA104	Sprocket, teeth 21, outdoor/semi-outdoor ,ratio20.4 ,50HZ, 1500rpm, 0.75m/s, triple chain	XOPE/XOP	1 (24B)	
		Sprocket, teeth 21, outdoor/semi-outdoor ,ratio20.4 ,50HZ, 1000rpm,0.5m/s, triple chain	XOPE		
188	DAA195CA105	Sprocket, teeth 22, outdoor/semi-outdoor ,ratio20.4 ,50HZ, 1500rpm, 0.75m/s, triple chain	520NPE/610N PT/XO-21NP		
		Sprocket, teeth 22, outdoor/semi-outdoor ,ratio20.4 ,50HZ, 1000rpm,0.5m/s, triple chain	520NPE/610N PT/XO- 21NP/XOP		
189	DAA195CA106	Sprocket, teeth 23, outdoor/semi-outdoor ,ratio20.4 ,50HZ, 1000rpm,0.5m/s, triple chain	515NPE-L		
		Sprocket, teeth 23, outdoor/semi-outdoor ,ratio20.4 ,60HZ, 1200rpm, 0.65m/s, triple chain	610NPT/XO- 21NP/XOPE/X OP		
190	DAA195CA107	Sprocket, teeth 24, outdoor/semi-outdoor ,ratio20.4 ,60HZ, 1200rpm,0.65m/s, triple chain	520NPE		
191	DAA195CA108	Sprocket, teeth 25, outdoor/semi-outdoor ,ratio20.4 ,60HZ, 1200rpm,0.65m/s, triple chain	515NPE-L		
192	DAA195CA109	Sprocket, teeth 26, outdoor/semi-outdoor ,ratio20.4 ,60HZ, 1200rpm,0.75m/s, triple chain	XOPE		
193	DAA195CA110	Sprocket, teeth 27, outdoor/semi-outdoor, triple chain			
194	DAA195CA111	Sprocket, teeth 28, outdoor/semi-outdoor, triple chain			
195	DAA195CB101	Sprocket, teeth 17, outdoor/semi-outdoor, triple chain			
196	DAA195CB102	Sprocket, teeth 18, outdoor/semi-outdoor, triple chain			
197	DAA195CB103	Sprocket, teeth 19, outdoor/semi-outdoor ,ratio20.4 ,50HZ, 1500rpm,0.75m/s, triple chain	520NPE		
		Sprocket, teeth 19, outdoor/semi-outdoor ,ratio20.4 ,50HZ, 1000rpm,0.5m/s, triple chain			
198	DAA195CB104	Sprocket, teeth 20, outdoor/semi-outdoor ,ratio 32.5 ,50HZ, 1500rpm,0.5m/s, triple chain			
		Sprocket, teeth 20, outdoor/semi-outdoor ,ratio26 ,60HZ, 1200rpm,0.5m/s, triple chain			
		Sprocket, teeth 20, outdoor/semi-outdoor ,ratio20.4 ,60HZ, 1200rpm,0.65m/s, triple chain			
199	DAA195CB105	Sprocket, teeth 21, outdoor/semi-outdoor ,ratio26 ,50HZ, 1500rpm,0.65m/s, triple chain			
200	DAA195CB106	Sprocket, teeth 22, outdoor/semi-outdoor, triple chain			
201	DAA195CB107	Sprocket, teeth 23, outdoor/semi-outdoor, triple chain			

**Indoor**



202-212

DAA20401AM				
REF. No.	PART No.	DESCRIPTION	System	Quantity
202	DAA195BZ1	Sprocket, teeth 18, indoor ,ratio 26, 50HZ,1500rpm, 0.5m/s, Double chain	610NPT/XO-21NP/XOPE/XOP	1 (20A)
		Sprocket, teeth 18, indoor ,ratio 20.4, 60HZ,1200rpm, 0.5m/s, Double chain	610NPT/XO-21NP/XOPE/XOP	
		Sprocket, teeth 18, indoor ,ratio 20.4, 50HZ,1500rpm, 0.65m/s, Double chain	XOPE/XOP	
203	DAA195BZ2	Sprocket, teeth 19, indoor ,ratio26 ,50HZ, 1500rpm,0.5m/s, Double chain	515NPE-L/520NPE	
		Sprocket, teeth 19, indoor ,ratio20.4 ,60HZ, 1200rpm,0.5m/s, Double chain	515NPE-L/520NPE	
		Sprocket, teeth 19, indoor ,ratio20.4 ,50HZ, 1500rpm,0.65m/s, Double chain	520NPE/610NPT/XO-21NP	



ESC-MACHINE(ShangHai)

**ESCALATOR  
MACHINE EMC-H1/  
EC-WH-G/EM-H2-G**

**(FTSST158 GEARBOX)**

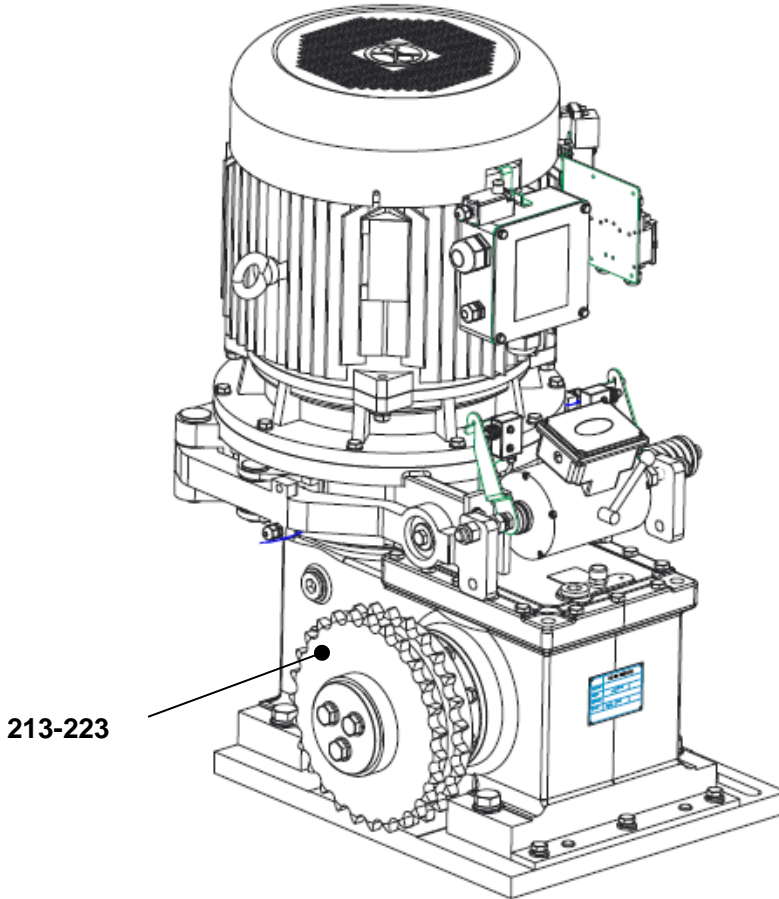
**Spare Parts Leaflet**

**06-DAA20401AM**

**05/11/2016 Page 27 of 36**

204	DAA195BZ3	Sprocket, teeth 20, indoor ,ratio20.4 ,50HZ, 1500rpm,0.65m/s, Double chain	515NPE-L
205	DAA195BZ4	Sprocket, teeth 21, indoor ,ratio20.4 ,50HZ, 1500rpm,0.75m/s, Double chain	XOPE/XOP
		Sprocket, teeth 21, indoor ,ratio20.4 ,50HZ, 1000rpm,0.5m/s, Double chain	XOPE
206	DAA195BZ5	Sprocket, teeth 22, indoor ,ratio20.4 ,50HZ, 1500rpm,0.75m/s, Double chain	520NPE/610NPT/XO-21NP
		Sprocket, teeth 22, indoor ,ratio20.4 ,50HZ, 1000rpm,0.5m/s, Double chain	520NPE/610NPT/XO-21NP/XOP
207	DAA195BZ6	Sprocket, teeth 23, indoor ,ratio20.4 ,50HZ, 1000rpm,0.5m/s, Double chain	515NPE-L
		Sprocket, teeth 23, indoor ,ratio20.4 ,60HZ, 1200rpm,0.65m/s, Double chain	610NPT/XO-21NP/XOPE/XOP
208	DAA195BZ7	Sprocket, teeth 24, indoor ,ratio20.4 ,60HZ, 1200rpm,0.65m/s, Double chain	520NPE
209	DAA195BZ8	Sprocket, teeth 25, indoor ,ratio20.4 ,60HZ, 1200rpm,0.65m/s, Double chain	515NPE-L
210	DAA195BZ9	Sprocket, teeth 26, indoor ,ratio20.4 ,60HZ, 1200rpm,0.75m/s, Double chain	XOPE
211	DAA195BZ10	Sprocket, teeth 27, indoor , Double chain	
212	DAA195BZ11	Sprocket, teeth 28, indoor , Double chain	

**OUTDOOR/SEMI-OUTDOOR**



213-223

DAA20401AM

REF. No.	PART No.	DESCRIPTION	System	Quantity
213	DAA195BZ101	Sprocket, teeth 18, outdoor/semi-outdoor ,ratio 26, 50HZ,1500rpm, 0.5m/s, Double chain	610NPT/XO-21NP/XOPE/XOP	1 (20A)
		Sprocket, teeth 18, outdoor/semi-outdoor ,ratio 20.4, 60HZ,1200rpm, 0.5m/s, Double chain	610NPT/XO-21NP/XOPE/XOP	
		Sprocket, teeth 18, outdoor/semi-outdoor ,ratio 20.4, 50HZ,1500rpm, 0.65m/s, Double chain	XOPE/XOP	
214	DAA195BZ102	Sprocket, teeth 19, outdoor/semi-outdoor ,ratio26 ,50HZ, 1500rpm,0.5m/s, Double chain	515NPE-L/520NPE	
		Sprocket, teeth 19, outdoor/semi-outdoor ,ratio20.4 ,60HZ, 1200rpm,0.5m/s, Double chain	515NPE-L/520NPE	
		Sprocket, teeth 19, outdoor/semi-outdoor ,ratio20.4 ,50HZ, 1500rpm,0.65m/s, Double chain	520NPE/610 NPT/XO-21NP	
215	DAA195BZ103	Sprocket, teeth 20, outdoor/semi-outdoor ,ratio20.4 ,50HZ, 1500rpm,0.65m/s, Double chain	515NPE-L	



ESC-MACHINE(ShangHai)

**ESCALATOR  
MACHINE EMC-H1/  
EC-WH-G/EM-H2-G**

**(FTSST158 GEARBOX)**

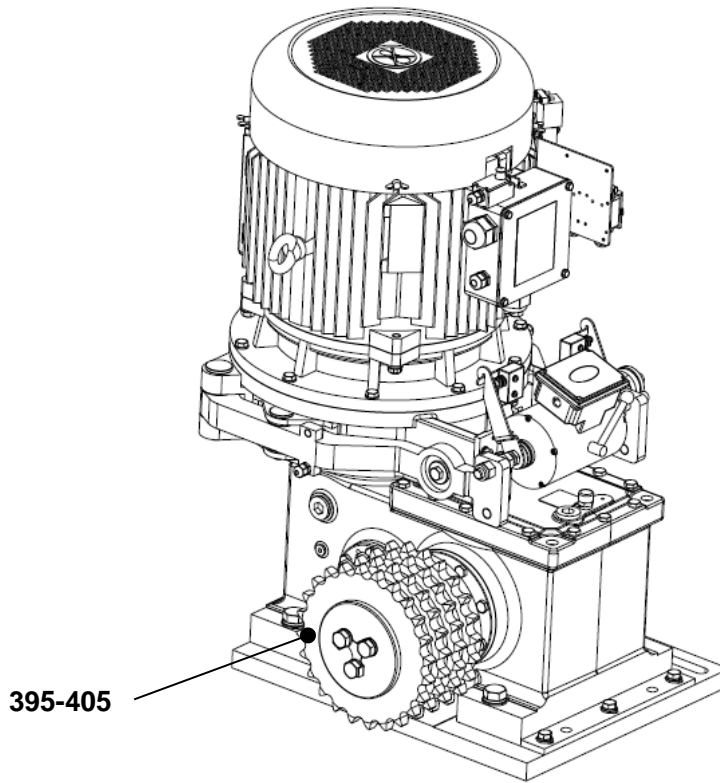
**Spare Parts Leaflet**

**06-DAA20401AM**

**05/11/2016 Page 29 of 36**

216	DAA195BZ104	Sprocket, teeth 21, outdoor/semi-outdoor ,ratio20.4 ,50HZ, 1500rpm,0.75m/s, Double chain	XOPE/XOP
		Sprocket, teeth 21, outdoor/semi-outdoor ,ratio20.4 ,50HZ, 1000rpm,0.5m/s, Double chain	XOPE
217	DAA195BZ105	Sprocket, teeth 22, outdoor/semi-outdoor ,ratio20.4 ,50HZ, 1500rpm,0.75m/s, Double chain	520NPE/610 NPT/XO-21NP
		Sprocket, teeth 22, outdoor/semi-outdoor ,ratio20.4 ,50HZ, 1000rpm,0.5m/s, Double chain	520NPE/610 NPT/XO-21NP/XOP
218	DAA195BZ106	Sprocket, teeth 23, outdoor/semi-outdoor ,ratio20.4 ,50HZ, 1000rpm,0.5m/s, Double chain	515NPE-L
		Sprocket, teeth 23, outdoor/semi-outdoor ,ratio20.4 ,60HZ, 1200rpm,0.65m/s, Double chain	610NPT/XO-21NP/XOPE/XOP
219	DAA195BZ107	Sprocket, teeth 24, outdoor/semi-outdoor ,ratio20.4 ,60HZ, 1200rpm,0.65m/s, Double chain	520NPE
220	DAA195BZ108	Sprocket, teeth 25, outdoor/semi-outdoor ,ratio20.4 ,60HZ, 1200rpm,0.65m/s, Double chain	515NPE-L
221	DAA195BZ109	Sprocket, teeth 26, outdoor/semi-outdoor ,ratio20.4 ,60HZ, 1200rpm,0.75m/s, Double chain	XOPE
222	DAA195BZ110	Sprocket, teeth 27, outdoor/semi-outdoor , Double chain	
223	DAA195BZ111	Sprocket, teeth 28, outdoor/semi-outdoor , Double chain	

**INDOOR**



395-405

DAA20401AM

REF. No.	PART No.	DESCRIPTION	System	Quantity
395	HAA195AH1	Sprocket, teeth 18, outdoor/semi-outdoor ,ratio 26, 50HZ,1500rpm, 0.5m/s, quadrupte chain	610NPT/XO-21NP/XOPE/XOP	1 (20A)
		Sprocket, teeth 18, outdoor/semi-outdoor ,ratio 20.4, 60HZ,1200rpm, 0.5m/s, quadrupte chain	610NPT/XO-21NP/XOPE/XOP	
		Sprocket, teeth 18, outdoor/semi-outdoor ,ratio 20.4, 50HZ,1500rpm, 0.65m/s, quadrupte chain	XOPE/XOP	
396	HAA195AH2	Sprocket, teeth 19, outdoor/semi-outdoor ,ratio26 ,50HZ, 1500rpm,0.5m/s, quadrupte chain	515NPE-L/520NPE	
		Sprocket, teeth 19, outdoor/semi-outdoor ,ratio20.4 ,60HZ, 1200rpm,0.5m/s, quadrupte chain	515NPE-L/520NPE	
		Sprocket, teeth 19, outdoor/semi-outdoor ,ratio20.4 ,50HZ, 1500rpm,0.65m/s, quadrupte chain	520NPE/610 NPT/XO-21NP	
397	HAA195AH3	Sprocket, teeth 20, outdoor/semi-outdoor ,ratio20.4 ,50HZ, 1500rpm,0.65m/s, quadrupte chain	515NPE-L	
398	HAA195AH4	Sprocket, teeth 21, outdoor/semi-outdoor ,ratio20.4 ,50HZ, 1500rpm,0.75m/s, quadrupte chain	XOPE/XOP	



ESC-MACHINE(ShangHai)

**ESCALATOR  
MACHINE EMC-H1/  
EC-WH-G/EM-H2-G**

**(FTSST158 GEARBOX)**

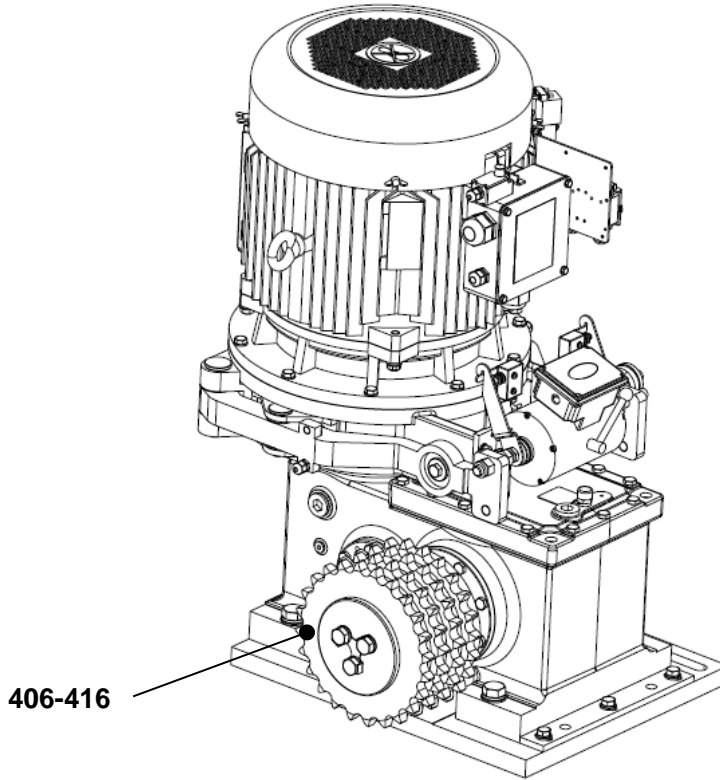
**Spare Parts Leaflet**

**06-DAA20401AM**

**05/11/2016 Page 31 of 36**

		Sprocket, teeth 21, outdoor/semi-outdoor ,ratio20.4 ,50HZ, 1000rpm,0.5m/s, quardruple chain	XOPE
399	HAA195AH5	Sprocket, teeth 22, outdoor/semi-outdoor ,ratio20.4 ,50HZ, 1500rpm,0.75m/s, quardruple chain	520NPE/610 NPT/XO-21NP
		Sprocket, teeth 22, outdoor/semi-outdoor ,ratio20.4 ,50HZ, 1000rpm,0.5m/s, quardruple chain	520NPE/610 NPT/XO-21NP/XOP
400	HAA195AH6	Sprocket, teeth 23, outdoor/semi-outdoor ,ratio20.4 ,50HZ, 1000rpm,0.5m/s, quardruple chain	515NPE-L
		Sprocket, teeth 23, outdoor/semi-outdoor ,ratio20.4 ,60HZ, 1200rpm,0.65m/s, quardruple chain	610NPT/XO-21NP/XOPE/XOP
401	HAA195AH7	Sprocket, teeth 24, outdoor/semi-outdoor ,ratio20.4 ,60HZ, 1200rpm,0.65m/s, quardruple chain	520NPE
402	HAA195AH8	Sprocket, teeth 25, outdoor/semi-outdoor ,ratio20.4 ,60HZ, 1200rpm,0.65m/s, quardruple chain	515NPE-L
403	HAA195AH9	Sprocket, teeth 26, outdoor/semi-outdoor ,ratio20.4 ,60HZ, 1200rpm,0.75m/s, quardruple chain	XOPE
404	HAA195AH10	Sprocket, teeth 27, outdoor/semi-outdoor , quardruple chain	
405	HAA195AH11	Sprocket, teeth 28, outdoor/semi-outdoor , quardruple chain	

**OUTDOOR/SEMI-OUTDOOR**



DAA20401AM

REF. No.	PART No.	DESCRIPTION	System	Quantity
406	HAA195AH101	Sprocket, teeth 18, outdoor/semi-outdoor ,ratio 26, 50HZ,1500rpm, 0.5m/s, quadrduple chain	610NPT/XO-21NP/XOPE/XOP	1 (20A)
		Sprocket, teeth 18, outdoor/semi-outdoor ,ratio 20.4, 60HZ,1200rpm, 0.5m/s, quadrduple chain	610NPT/XO-21NP/XOPE/XOP	
		Sprocket, teeth 18, outdoor/semi-outdoor ,ratio 20.4, 50HZ,1500rpm, 0.65m/s, quadrduple chain	XOPE/XOP	
407	HAA195AH102	Sprocket, teeth 19, outdoor/semi-outdoor ,ratio26 ,50HZ, 1500rpm,0.5m/s, quadrduple chain	515NPE-L/520NPE	
		Sprocket, teeth 19, outdoor/semi-outdoor ,ratio20.4 ,60HZ, 1200rpm,0.5m/s, quadrduple chain	515NPE-L/520NPE	
		Sprocket, teeth 19, outdoor/semi-outdoor ,ratio20.4 ,50HZ, 1500rpm,0.65m/s, quadrduple chain	520NPE/610 NPT/XO-21NP	
408	HAA195AH103	Sprocket, teeth 20, outdoor/semi-outdoor ,ratio20.4 ,50HZ, 1500rpm,0.65m/s, quadrduple chain	515NPE-L	
409	HAA195AH104	Sprocket, teeth 21, outdoor/semi-outdoor ,ratio20.4 ,50HZ, 1500rpm,0.75m/s, quadrduple chain	XOPE/XOP	





ESC-MACHINE(ShangHai)

**ESCALATOR  
MACHINE EMC-H1/  
EC-WH-G/EM-H2-G**

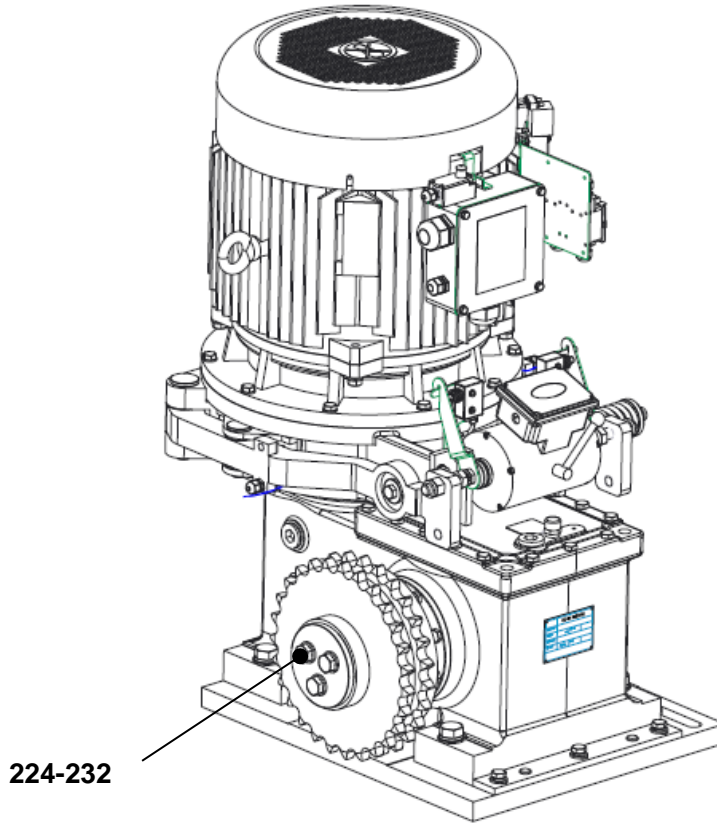
**(FTSST158 GEARBOX)**

**Spare Parts Leaflet**

**06-DAA20401AM**

**05/11/2016 Page 33 of 36**

		Sprocket, teeth 21, outdoor/semi-outdoor ,ratio20.4 ,50HZ, 1000rpm,0.5m/s, quardruple chain	XOPE
410	HAA195AH105	Sprocket, teeth 22, outdoor/semi-outdoor ,ratio20.4 ,50HZ, 1500rpm,0.75m/s, quardruple chain	520NPE/610 NPT/XO-21NP
		Sprocket, teeth 22, outdoor/semi-outdoor ,ratio20.4 ,50HZ, 1000rpm,0.5m/s, quardruple chain	520NPE/610 NPT/XO-21NP/XOP
411	HAA195AH106	Sprocket, teeth 23, outdoor/semi-outdoor ,ratio20.4 ,50HZ, 1000rpm,0.5m/s, quardruple chain	515NPE-L
		Sprocket, teeth 23, outdoor/semi-outdoor ,ratio20.4 ,60HZ, 1200rpm,0.65m/s, quardruple chain	610NPT/XO-21NP/XOPE/XOP
412	HAA195AH107	Sprocket, teeth 24, outdoor/semi-outdoor ,ratio20.4 ,60HZ, 1200rpm,0.65m/s, quardruple chain	520NPE
413	HAA195AH108	Sprocket, teeth 25, outdoor/semi-outdoor ,ratio20.4 ,60HZ, 1200rpm,0.65m/s, quardruple chain	515NPE-L
414	HAA195AH109	Sprocket, teeth 26, outdoor/semi-outdoor ,ratio20.4 ,60HZ, 1200rpm,0.75m/s, quardruple chain	XOPE
415	HAA195AH110	Sprocket, teeth 27, outdoor/semi-outdoor , quardruple chain	
416	HAA195AH111	Sprocket, teeth 28, outdoor/semi-outdoor , quardruple chain	



224-232

DAA20401AM				
REF. No.	PART No.	DESCRIPTION	Sprocket	Quantity
224	DAA131CR1	Sprocket holder, indoor	20A-2	1
225	DAA131CR101	Sprocket holder, outdoor/semi-outdoor	20A-3	
226	DAA131CG2	Sprocket holder, indoor	20A-4	
227	DAA131CG102	Sprocket holder, outdoor/semi-outdoor	24B-3	
228	DAA130BX2	Lock washer, indoor	20A/24B	1
229	DAA130BX102	Lock washer, outdoor/semi-outdoor		
230	DIN127B-M16-430HV-Z	HELICAL SPRING LOCK WASHERS, indoor	20A/24B	3
231	DIN127B-M16-430HV-Z-A7*	HELICAL SPRING LOCK WASHERS, outdoor/semi-outdoor		
232	ISO4017-M16X35-8.8Z	HEXAGON HEAD SCREWS, indoor	20A-2	3
233	ISO4017-M16X35-8.8Z-A7*	HEXAGON HEAD SCREWS, outdoor/semi-outdoor	20A-3	
393	ISO4017-M16X85-8.8Z	HEXAGON HEAD SCREWS, indoor	20A-4	3

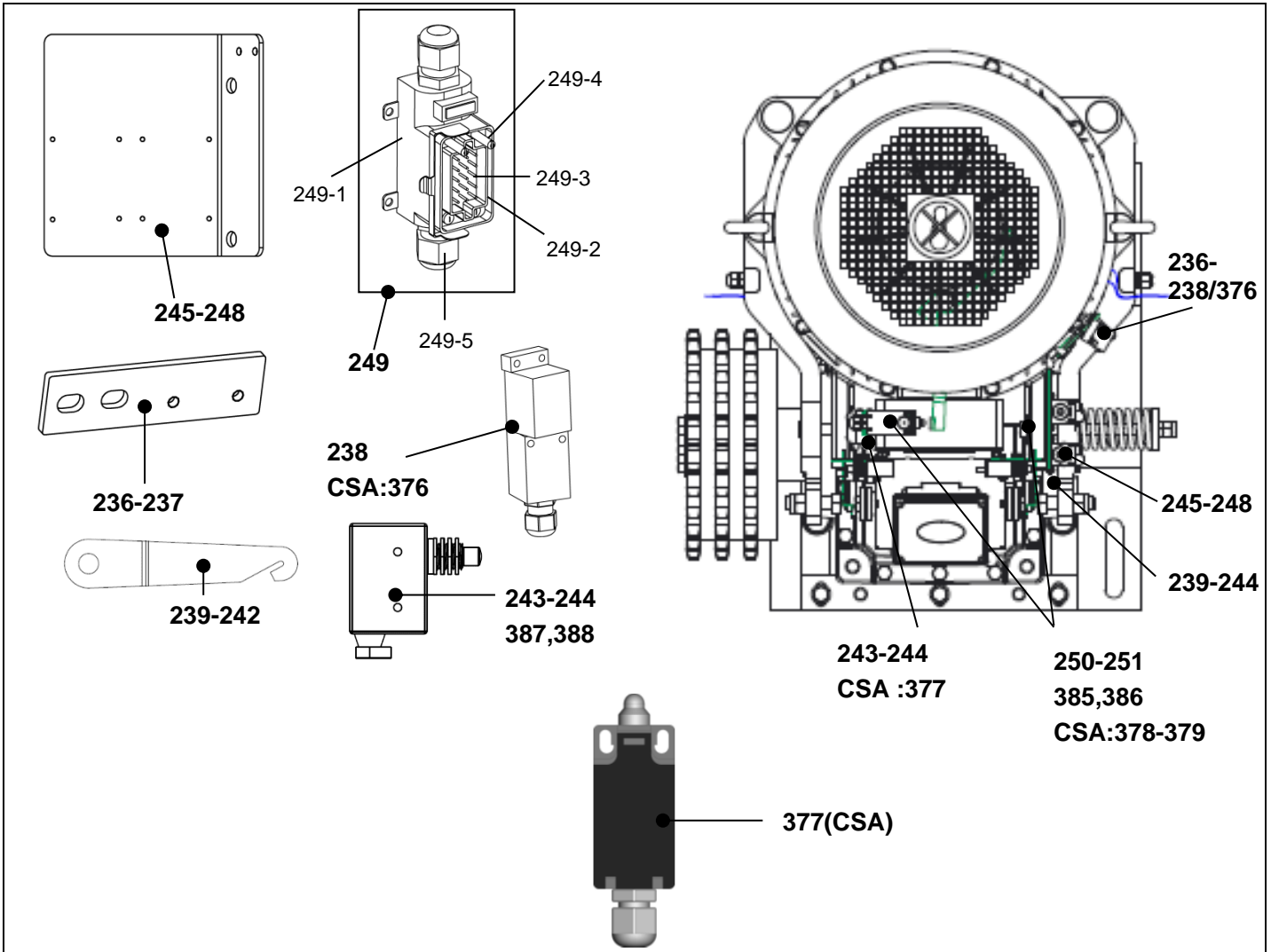


ESC-MACHINE(ShangHai)

**ESCALATOR  
MACHINE EMC-H1/  
EC-WH-G/EM-H2-G  
(FTSST158 GEARBOX)**

**Spare Parts Leaflet  
06-DAA20401AM  
05/11/2016 Page 35 of 36**

394	ISO4017-M16X 85-8.8Z-A7*	HEXAGON HEAD SCREWS, outdoor/semi-outdoor		
234	ISO4017- M16X80-8.8Z	HEXAGON HEAD SCREWS, indoor	24B	3
235	ISO4017-M16X 80-8.8Z-A7*	HEXAGON HEAD SCREWS, outdoor/semi-outdoor		



DAA20401AM			
REF. No.	PART No.	DESCRIPTION	Quantity
236	DAA316AKV1	Bracket of hand wheel safety device, indoor	1
237	DAA316AKV101	Bracket of hand wheel safety device, outdoor& semi-outdoor	
238	DAA177CH1	Motor cover safety switch, indoor	1
239	DAA316EEG1	Bracket of brake lift monitoring device, Left, indoor	1
240	DAA316EEG101	Bracket of brake lift monitoring device, Left, outdoor & semi-outdoor	
241	DAA316EEG2	Bracket of brake lift monitoring device, Right, indoor	1
242	DAA316EEG102	Bracket of brake lift monitoring device, Right, outdoor & semi-outdoor	
243	DAA177DN1	Brake lift monitoring switch, indoor	1
244	DAA177DN2	Brake lift monitoring switch, outdoor	
245	DAA316AKT4	Bracket of connector subsystem, indoor, (18.5kW@1500rpm; 18.5kW@1000/1200rpm,IE2; 15-18.5kW@1000/1200rpm,IE3).	1



ESC-MACHINE(ShangHai)

**ESCALATOR  
MACHINE EMC-H1/  
EC-WH-G/EM-H2-G**

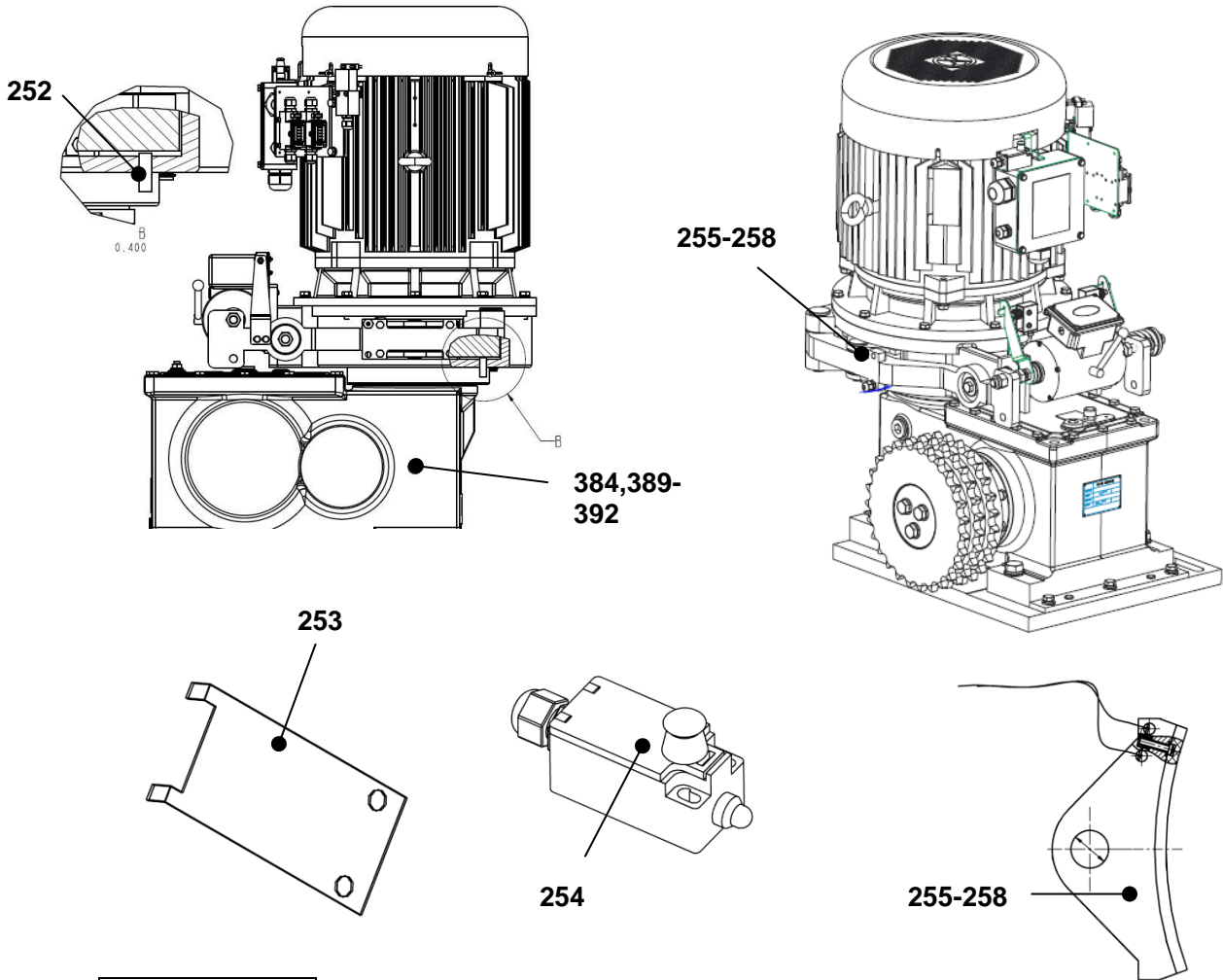
**(FTSST158 GEARBOX)**

**Spare Parts Leaflet**

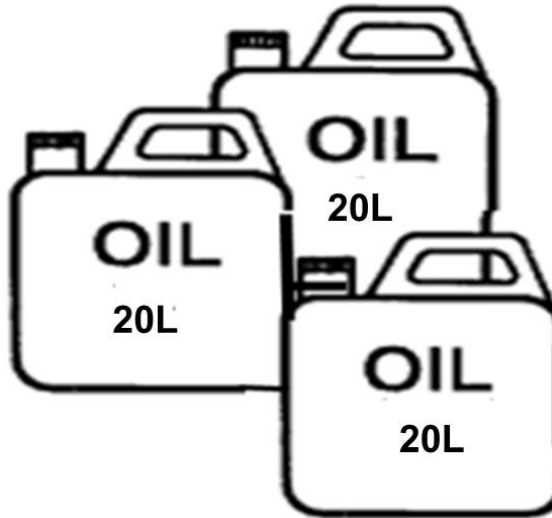
**06-DAA20401AM**

**05/11/2016 Page 37 of 36**

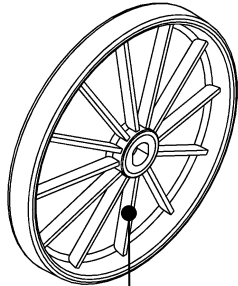
246	DAA316AKT5	Bracket of connector subsystem, indoor, (11-15KW@1500rpm; 11-15KW@1000/1200rpm,IE2; 11kW@ 1000/1200rpm, IE3).	
247	DAA316AKT104	Bracket of connector subsystem, outdoor & semi-outdoor, (18.5kW@1500rpm; 18.5kW@ 1000/1200rpm,IE2; 15-18.5kW@1000/1200rpm,IE3)	
248	DAA316AKT105	Bracket of connector subsystem, outdoor & semi-outdoor, (11-15KW@1500rpm; 11-15KW@1000/1200rpm,IE2; 11kW@ 1000/1200rpm, IE3).	
249	DAA176AD1	Connector (System, vendor: Wain)	1
249-1	DAA396R1	Connector housing (vendor: Wain)	1
249-2	DAA176Y1	Connector socket (vendor: Wain)	1
249-3	DAA614L2	Connector plug (vendor: Wain)	1
249-4	DAA614M1	Locating piece (vendor: Wain)	1
249-5	DAA444E1/2/3	Plug	1
250	GAA174APJ1	Motor power supply cable, 7x6mm <sup>2</sup>	1
251	GAA174APJ2	Brake power supply cable	
376	DAA177AF1	Motor cover safety switch, indoor(CSA)	1
377	GBA177HA1	Brake lift monitoring switch, indoor(CSA)	2
378	DAA174FW4	Motor power supply cable, 6XAWG8+PE, up to 24kW(CSA)	1
379	DAA174FW13	Brake power supply cable(CSA)	1
385	GAA174APJ24	Motor power supply cable, 7x6mm <sup>2</sup> , for low smoke zero halogen antflaming	1
386	GAA174APJ25	Brake power supply cable, for low smoke zero halogen antflaming	1
387	DAA177DN3	Brake lift monitoring switch, indoor, for low smoke zero halogen antflaming	1
388	DAA177DN4	Brake lift monitoring switch, outdoor, for low smoke zero halogen antflaming	1



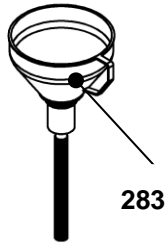
DAA20401A M			
REF. No.	PART No.	DESCRIPTION	Quantity
252	DAA27086E2	Non-reversal device	2
253	GO180TE1	Bracket of over speed device, indoor	1
254	DAA177CG4	Over speed switch	1
255	DAA416J33	Brake lining system with lining wear monitor, indoor; Others	2
256	DAA416J44	Brake lining system without lining wear monitor, indoor; Others	
257	DAA416J133	Brake lining system with lining wear monitor , outdoor& semi-outdoor; Others	
258	DAA416J144	Brake lining system without lining wear monitor, outdoor& semi-outdoor; Others	
384	HAA177FP1	Assembly of oil level and temperature switch with matel hose.	1
389	HAA177FP2	Assembly of oil level and temperature switch without matel hose.	1
390	HAA177FH1	Oil level and temperature switch (AUMA K012.082)	1
391	HAA174CET3	Electrical cable and connector of oil level sensor with metal hose	1
392	HAA174CET4	Electrical cable and connector of oil level sensor without metal hose	1



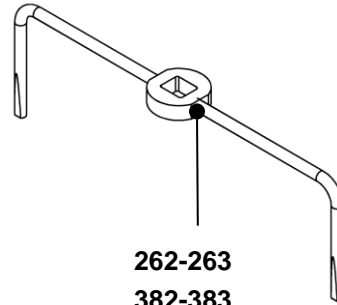
		DAA20401AM
REF. No.	PART No.	DESCRIPTION
259	DAA33AD1	Oil for gear box FTSST158, Ratio:20.4/26/32.5, 1500rpm, 10L, Kluber synth GH6-220
	DAA33AD3	Oil for gear box, 10L, Kluber synth GH6-460
260	DAA33AD2	Oil for gear box FTSST158, Ratio:20.4/26/32.5, 1200rpm, 10L, Kluber synth GH6-320
		Oil for gear box FTSST158, Ratio:20.4/26/32.5, 1000rpm, 10L, Kluber synth GH6-320
	DAA33AD3	Oil for gear box, 10L, Kluber synth GH6-460



261,381

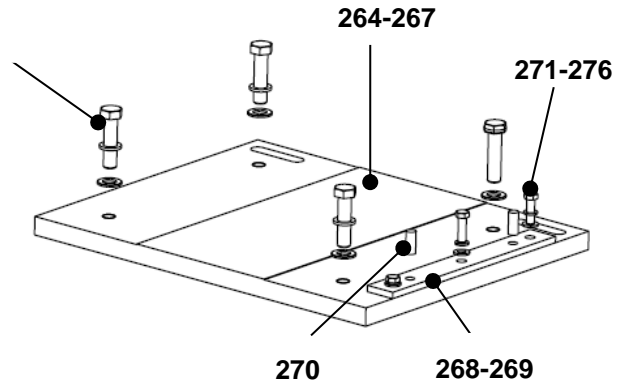


283



262-263  
382-383

277-282



270

268-269

264-267

271-276

**DAA20401AM**

REF. No.	PART No.	DESCRIPTION	Quantity
261	GAA28JC2	Hand wheel(for shaft $\phi$ 24)	1
381	GAA28JC4	Hand wheel(for shaft $\phi$ 34)	
262	DAA20250K1	Brake release tool (18.5kW@1500rpm; 18.5kW@1000/1200rpm, IE2; 15-18.5kW@1000/1200rpm,IE3) (for shaft $\phi$ 24)	1
382	DAA20250K2	Brake release tool (18.5kW@1500rpm; 18.5kW@1000/1200rpm, IE2; <u>15-18.5kW@1000/1200rpm,IE3</u> ) (for shaft $\phi$ 34)	
263	DAA20250Y1	Brake release tool(11-15KW@1500rpm; 11-15KW@1000/1200rpm,IE2; 11kW@ 1000/1200rpm, IE3) (for shaft $\phi$ 24)	
383	DAA20250Y2	Brake release tool(11-15KW@1500rpm; 11-15KW@1000/1200rpm,IE2; 11kW@ 1000/1200rpm, IE3) (for shaft $\phi$ 34)	
264	DAA180AEE2	Machine bottom plate, Right output, indoor	1
265	DAA180AEE102	Machine bottom plate, Right output, outdoor& semi-outdoor	
266	DAA180AEE22	Machine bottom plate, Left output, indoor	
267	DAA180AEE122	Machine bottom plate, Left output, outdoor& semi-outdoor	





ESC-MACHINE(ShangHai)

**ESCALATOR  
MACHINE EMC-H1/  
EC-WH-G/EM-H2-G  
(FTSST158 GEARBOX)**

**Spare Parts Leaflet  
06-DAA20401AM  
05/11/2016 Page 41 of 36**

268	DAA180AEE3	Machine block, indoor	1
269	DAA180AEE103	Machine block, outdoor& semi-outdoor	
270	GB/T 119.2 16X35	Pin for bedplate	2
271	ISO7089-M12-140HV-Z	Plain washer, indoor, block	3
272	DIN127B-M12-430HV-Z	Spring washers, indoor, block	3
273	ISO4017M12X40-8.8Z	Hexagon head bolts, indoor, block	3
274	ISO7089-M12-140HV-Z-A7	Plain washer, outdoor& semi-outdoor, block	3
275	DIN127B-M12-430HV-Z-A7	Spring washers, outdoor& semi-outdoor, block	3
276	ISO4017M12X40-8.8Z-A7	Hexagon head bolts, outdoor& semi-outdoor, block	3
277	ISO7090-M20-200HV-Z	Plain washer, indoor, gearbox	4
278	DIN127B-M20-430HV-Z	Helical spring lock washers, indoor, gearbox	4
279	ISO4014-M20X80-10.9Z	Hexagon head bolts, indoor, block, gearbox	4
280	ISO7090-M20-200HV-Z-A7	Plain washer, outdoor& semi-outdoor, gearbox	4
281	DIN127B-M20-430HV-Z-A7	Helical spring lock washers, outdoor& semi-outdoor, gearbox	4
282	ISO4014-M20X80-10.9Z-A7	Hexagon head bolts, outdoor& semi-outdoor, block, gearbox	4
283	DAA399A1	Funnel tube	1

NOTE: The last REF. NO. is **416**