

**Optimized Gen2  
5.2T Machine  
ASME Series**

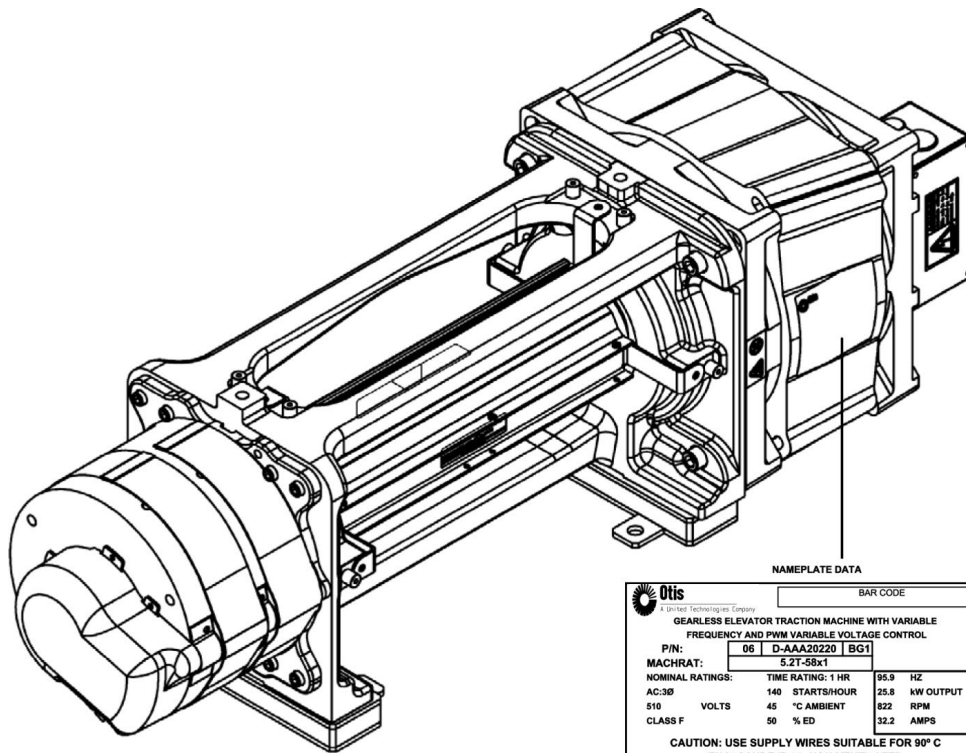
**Spare Parts Leaflet**

**06-AAA20220BG**


**April 9, 2025 / Page 1 of 6**

# OBSOLESCENCE NOTICE

The product listed in this SPL is obsolete. Some components may still be available, but Otis recommends an upgrade (see TIP 32.2-1 for potential upgrade.)



NAMEPLATE DATA

		BAR CODE	
A United Technologies Company			
GEARLESS ELEVATOR TRACTION MACHINE WITH VARIABLE FREQUENCY AND PWM VARIABLE VOLTAGE CONTROL			
P/N:	06	D-AAA20220	BG1
MACH/RAT:	5.2T-58.1		
NOMINAL RATINGS:	TIME RATING: 1 HR	95.9	HZ
AC:3Ø	140	STARTS/HOUR	25.8
510	VOLTS	45 °C AMBIENT	822
CLASS F	50	% ED	32.2
			AMPS
CAUTION: USE SUPPLY WIRES SUITABLE FOR 90° C ENCLOSURE IP-50, NON-VENTILATED NO RELUBRICATION REQUIRED			
SERIAL NUMBER:	example: 1002123456701		
	BAR CODE		
	MANUFACTURED BY KOLLMORGEN		
	MADE IN		
	TOTAL MACHINE WEIGHT 387 Kg (REF.)		



This document does not contain any technical data subject to EAR or ITAR

**SERVICE ENGINEERING**  
**Otis Elevator Company**  
**Bloomfield, Connecticut USA**

Unpublished Work—© Otis Elevator Co.; 2025

**Leaflet Description**

The Optimized Gen2 Machine EN series are the Optimized Gen2 Machines primarily distributed outside of Japan, Canada, and USA. The Optimized Gen2 Machine JIS series are the Optimized Gen2 Machines primarily distributed in Japan.

**Leaflet Revisions**

<b>Date Revised</b>	<b>Subject Matter Expert</b>	<b>Reason for Revision</b>
April 28, 2010	John Pitts	New SPL
April 17, 2013	Val Sheynkman	Updated p. 5
September 14, 2022	Juan Murillo	Updated to include OBSOLESCENCE note on cover
April 9, 2025	Juan Murillo	Updated OBSOLESCENCE note on cover.

**Related Drawings**

<b>Drawing No.</b>	<b>Title</b>	<b>Drawing No.</b>	<b>Title</b>
AAA20220BG	OPTIMIZED GEN2 MACHINE 5.2T ASME SERIES		

**Related Documents**

<b>Document ID</b>	<b>Title</b>
AAA20220BG_BD	Optimized Elevator Traction Machine for Gen2-V/F PM AC GL NSAA 5.2T Basic Data

**Subject Matter Expert**

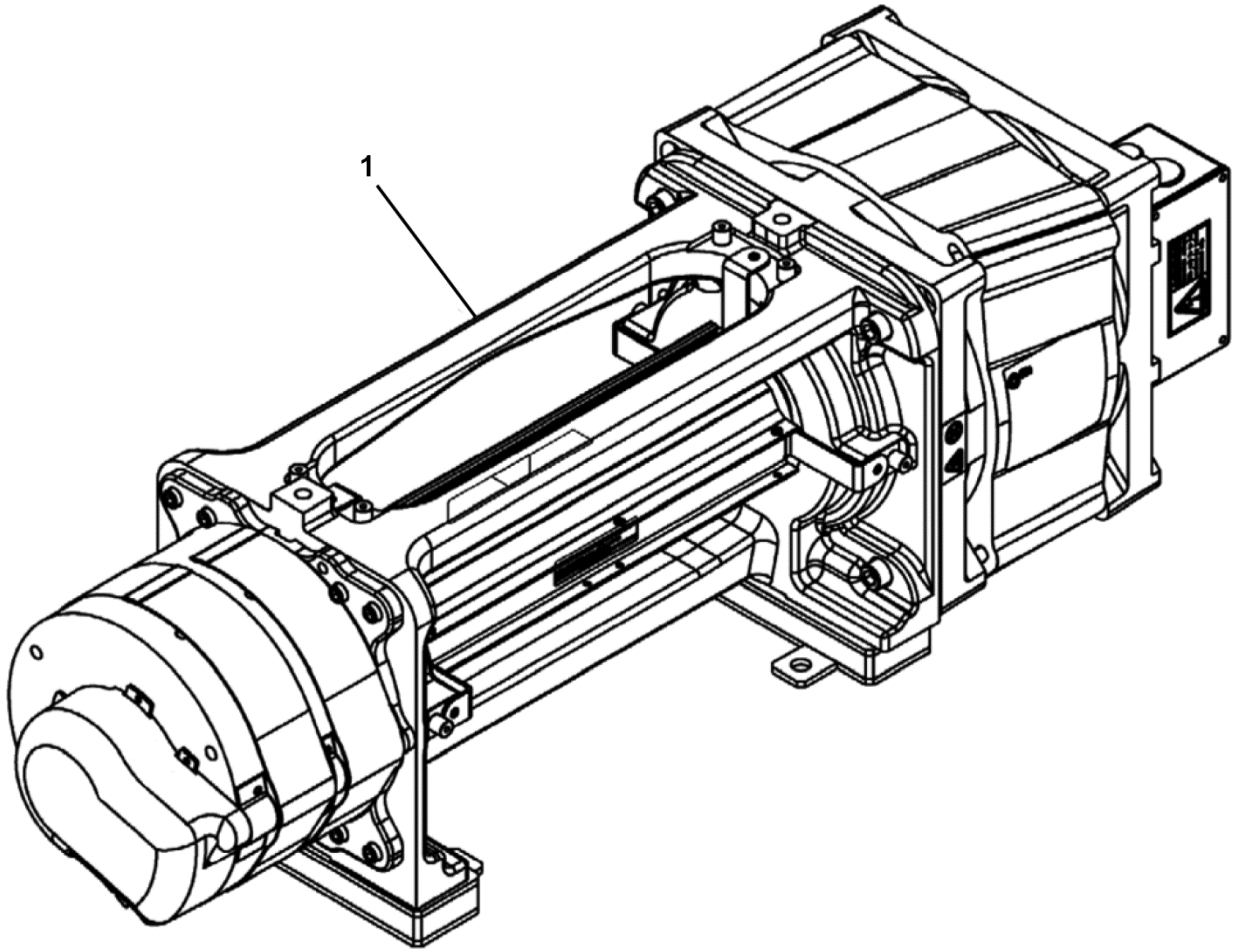
<b>Name</b>	<b>Department</b>
Juan Murillo	OSC Service Engineering

**About Spare Parts Leaflets...**

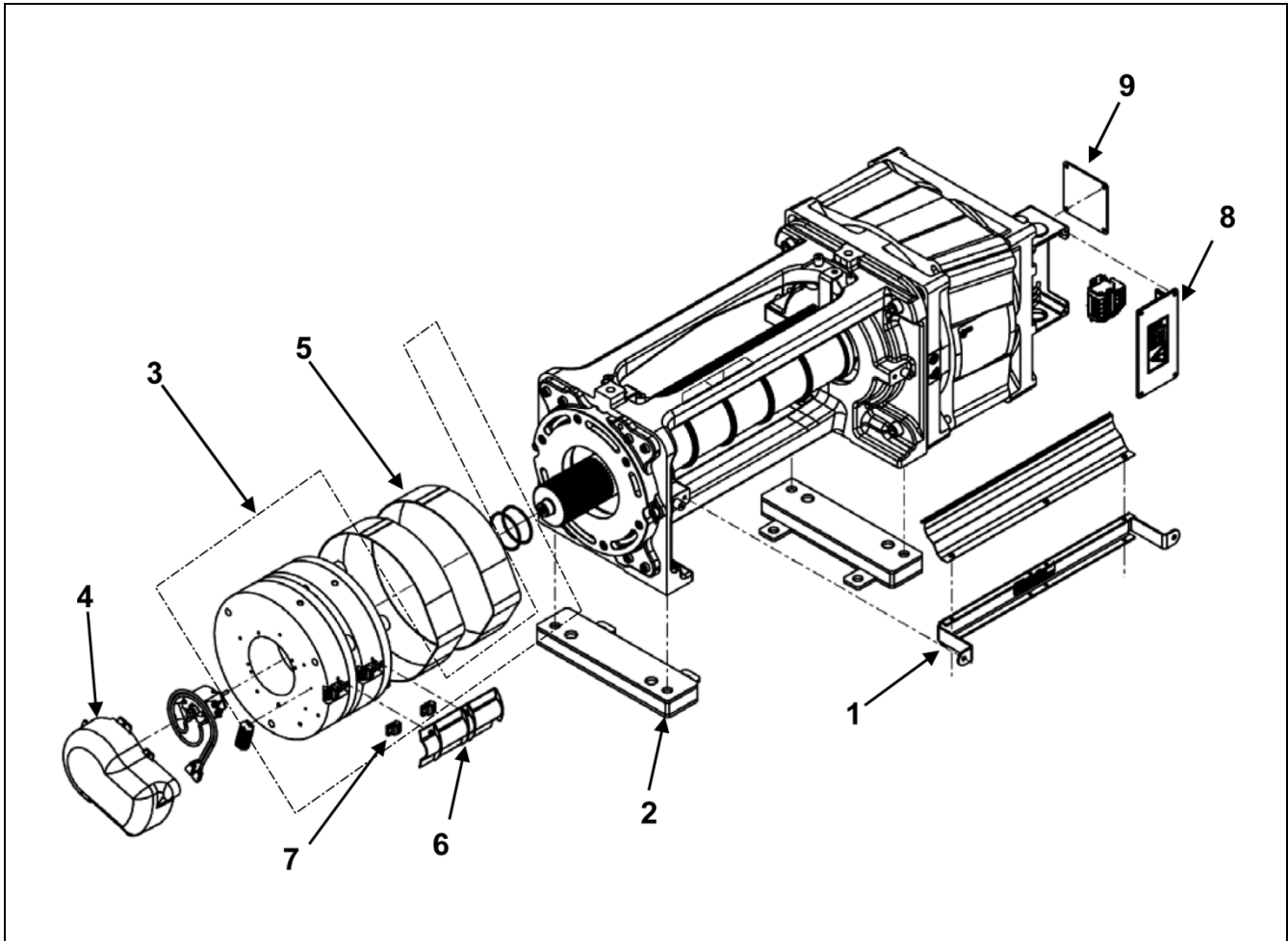
This document lists the lowest replaceable units (LRUs) for the standard version of the product. The LRUs are chosen by a team of Otis associates representing engineering and manufacturing.

While goal of this document is to make parts identification as easy as possible, the document cannot be all-inclusive. Elevator and escalator contracts classified as “special” or “custom” are not addressed here. For such contracts, please refer to specified information, the contract folder, TIPs, Field Education Articles, Construction Letters, etc. for further information.

If you have any suggestions about this document, please contact the subject matter expert listed on this page.



AAA20220BG					
REF. NO.	PART NO.	DUTY kg (lb)	ROPING	DESCRIPTION	REMARKS
1	AAA20220BG1	1135–1588 (2500–3500)	2:1	Machine Assembly, Optimized Gen2 machine, 5.2T, ASME	MACHRAT 5.2T - 58x1
	AAA20220BG11	1814–2041 (4000–4500)	2:1	Machine Assembly, Optimized Gen2 machine, 5.2T, ASME	MACHRAT 5.2T - 58x2

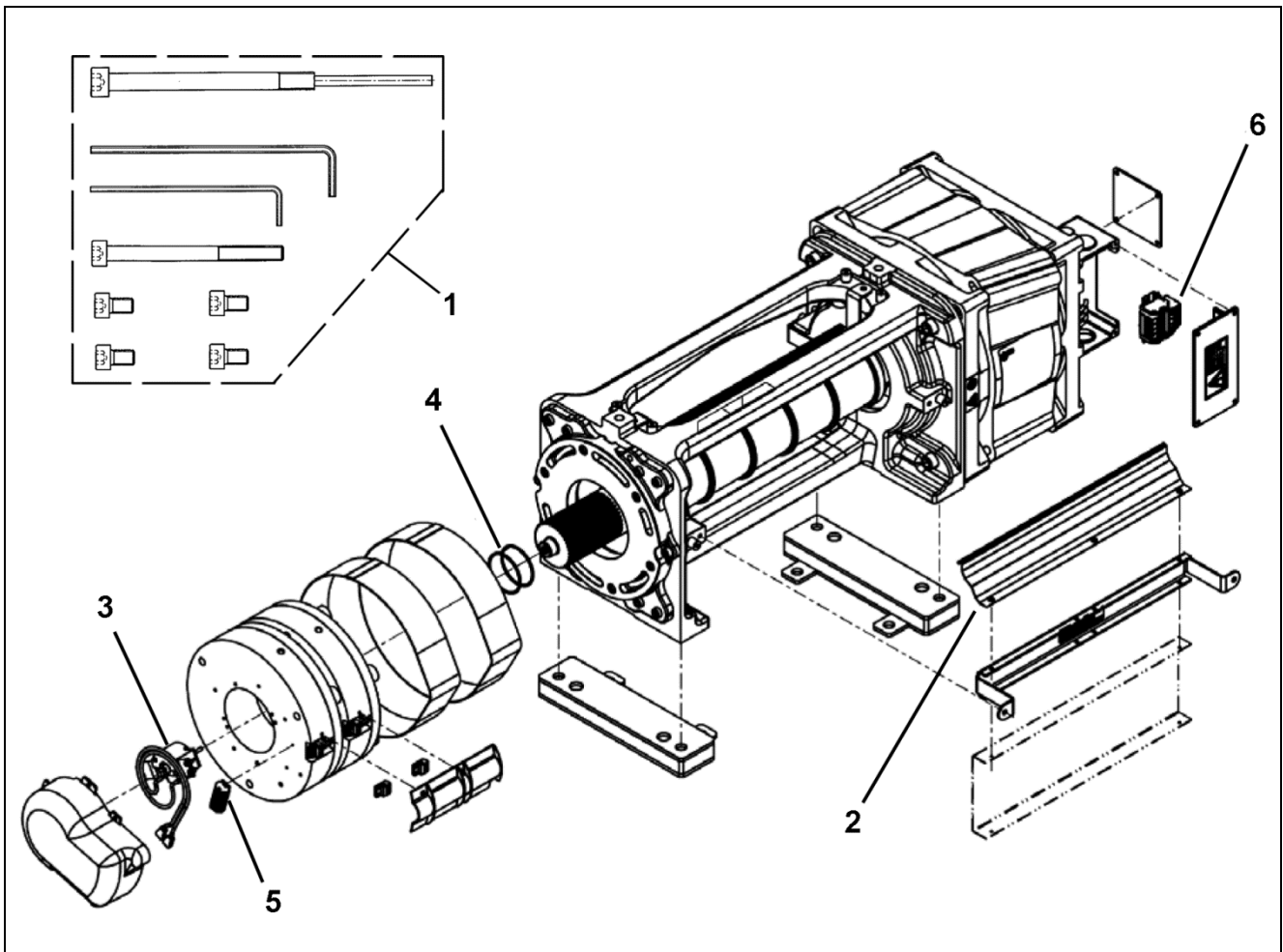


<b>AAA20220BG</b>			
<b>REF. NO.</b>	<b>PART NO.</b>	<b>DESCRIPTION</b>	<b>REMARKS</b>
1	AAA385TM1	Belt Retainer	---
2	AAA310WD2	Block, Sound Isolation	---
3	AAA20236W411	Brake Assembly Field Kit	RSO500 includes calipers, switches, rotor, mounting bolts, serrated washers, O-ring, Mayr / DM instructions
4	AAA346BEG2	Brake Cover, Encoder	---
5	AAA346BEG6	Brake Cover, Rotor	---
6	AAA346BEG4	Brake Cover, Switch	---
7	AAA29509A2	Brake Switch Assembly	LH (RSO500)
8	AAA346BEE1	Cover, Motor Terminal Box	---
9	AAA346BEF1	Cover, Stator End Bell	---

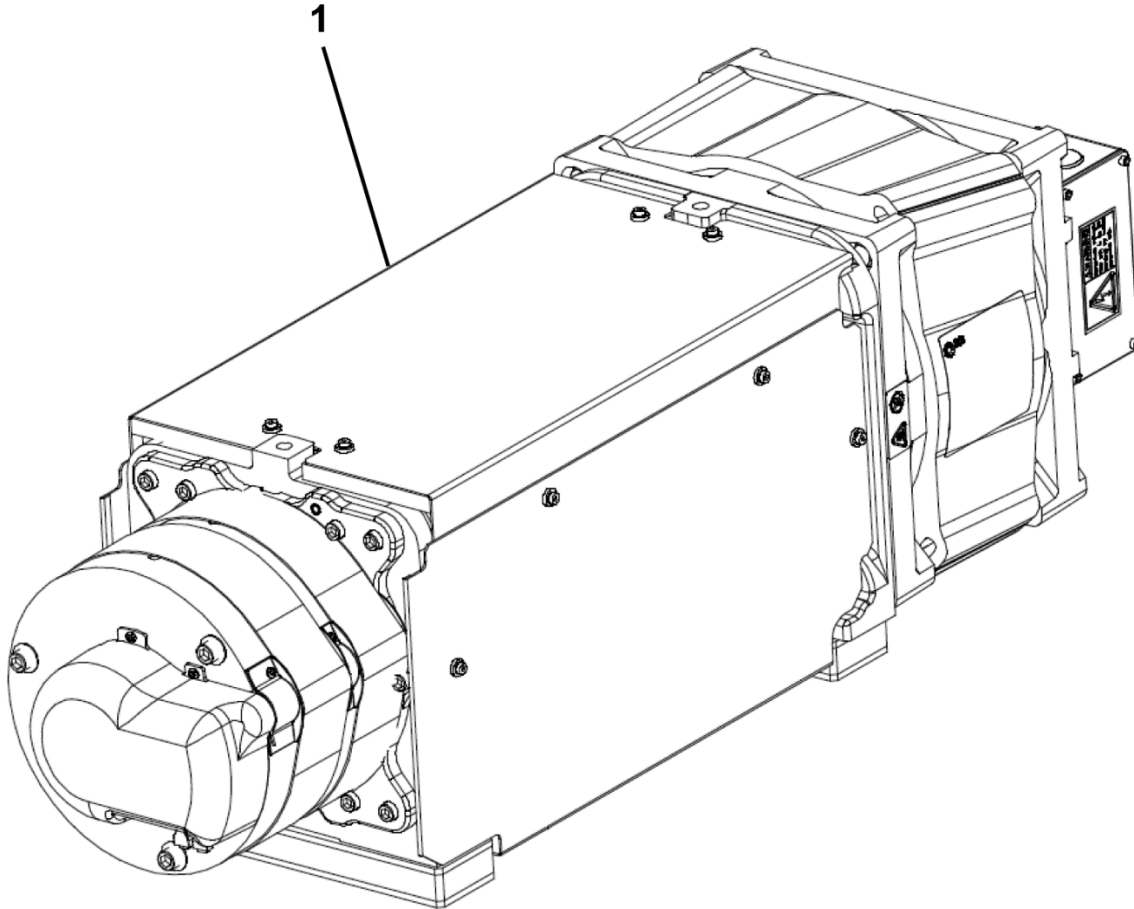
Continued on Next Page

# Gen2 5.2T Machine Components

**06-AAA20220BG**



AAA20220BG			
REF. NO.	PART NO.	DESCRIPTION	REMARKS
1	AAA633AJ403	Encoder Service Kit	Includes: (1) Jackbolt, (1) 5 mm Allen Wrench, (1) 4 mm Allen Wrench, (1) M5x60 Hex Socket Head Cap Screw, and (4) M5x8 Hex Socket Head Cap Screws
2	AAA384ASD1	Guard	---
3	AAA633AJ402	Integrated Encoder (3 Chan), Field Kit	Includes: Encoder, Jackbolt, 4 mm Hex Key, 5 mm Hex Key, 4, M5 x 8 Socket Head Cap Screws; 1, M5 x 60 Socket Head Cap Screw see AAA633AJ403 for jackbolt and hardware without encoder
4	AAA182AZ3	Packing, O-Ring, Rotor (Metric, 82 mm Spline)	---
5	AAA21303DR1	Terminal Block Assembly, Brake, ASME	---
6	AAA21303CW3	Terminal Block Assembly, Motor	---



**AAA20220BG**

<b>REF. NO.</b>	<b>PART NO.</b>	<b>DESCRIPTION</b>	<b>REMARKS</b>
1	AAA346BES1	Enclosure	Acoustic Enclosure Acts as Protective Guard in Machine Room Applications