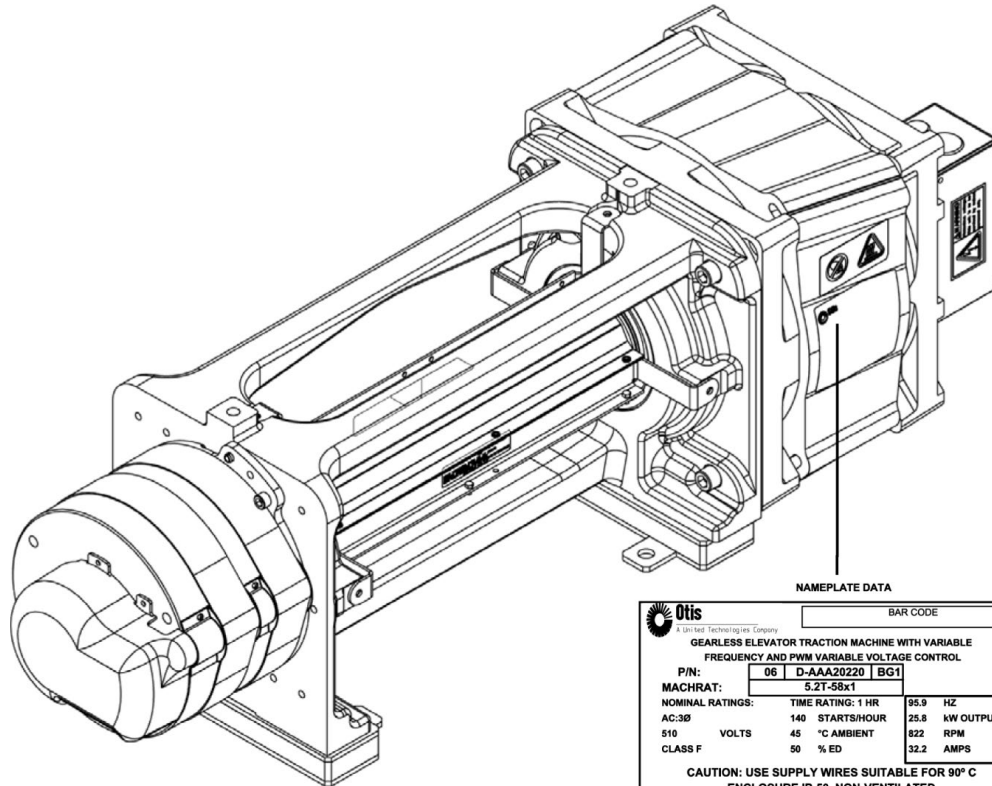


**Optimized Gen2
4.1T and 5.0T Machine
ASME Series**


**Spare Parts Leaflet
06-AAA20220BE
April 9, 2025 / Page 1 of 5**

OBSOLESCENCE NOTICE

The product listed in this SPL is obsolete. Some components may still be available, but Otis recommends an upgrade (see TIP 32.2-1 for potential upgrade.)



NAMEPLATE DATA

		BAR CODE	
GEARLESS ELEVATOR TRACTION MACHINE WITH VARIABLE FREQUENCY AND PWM VARIABLE VOLTAGE CONTROL			
P/N:	06	D-AAA20220	BG1
MACHRAT:	5.2T-58x1		
NOMINAL RATINGS:	TIME RATING: 1 HR	95.9 HZ	
AC:3Ø	140 STARTS/HOUR	25.8 KW OUTPUT	
510	VOLTS 45 °C AMBIENT	822 RPM	
CLASS F	50 % ED	32.2 AMPS	
CAUTION: USE SUPPLY WIRES SUITABLE FOR 90° C ENCLOSURE IP-50, NON-VENTILATED NO RELUBRICATION REQUIRED			
SERIAL NUMBER:	example: 1002123456701		
		BAR CODE	
MANUFACTURED BY KOLLMORGEN			
MADE IN			
TOTAL MACHINE WEIGHT 387 Kg (REF.)			



This document does not contain any technical data subject to EAR or ITAR

**SERVICE ENGINEERING
Otis Elevator Company
Bloomfield, Connecticut USA**

Unpublished Work—© Otis Elevator Co.; 2025

Leaflet Description

The Optimized Gen2 Machine EN series are the Optimized Gen2 Machines primarily distributed within Canada and USA.

Leaflet Revisions

Date Revised	Subject Matter Expert	Reason for Revision
June 19, 2009	John Pitts	New SPL
July 9, 2009	John Pitts	correction of part number error
July 21, 2010	Val Sheynkman	Updated the history page with the SME information
April 17, 2013	Val Sheynkman	Updated illustration on p. 4 and ref. 16 on p. 5
September 14, 2022	Juan Murillo	Updated to include OBSOLESCENCE note on cover
April 9, 2025	Juan Murillo	Updated OBSOLESCENCE note on cover.

Related Drawings

Drawing No.	Title	Drawing No.	Title
AAA20220BE	OPTIMIZED GEN2 MACHINE 4.1T AND 5.0T ASME SERIES		

Related Documents

Document ID	Title
AAA20220BE_BD	Optimized Elevator Traction Machine for Gen2-V/F PM AC GL NSAA 4.1T & 5.0T Basic Data

Subject Matter Expert

Name	Department
Juan Murillo	OSC Service Engineering

About Spare Parts Leaflets...

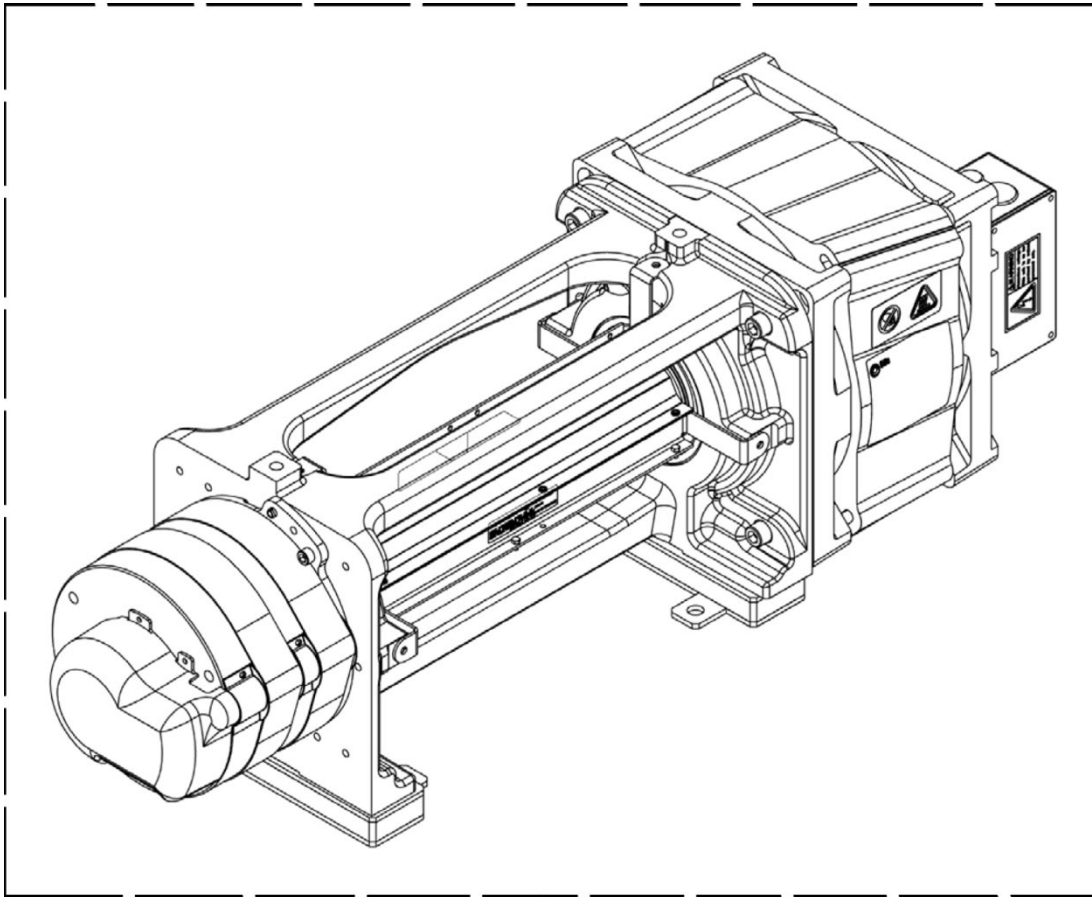
This document lists the lowest replaceable units (LRUs) for the standard version of the product. The LRUs are chosen by a team of Otis associates representing engineering and manufacturing.

While goal of this document is to make parts identification as easy as possible, the document cannot be all-inclusive. Elevator and escalator contracts classified as “special” or “custom” are not addressed here. For such contracts, please refer to specified information, the contract folder, TIPs, Field Education Articles, Construction Letters, etc. for further information.

If you have any suggestions about this document, please contact the subject matter expert listed on this page.

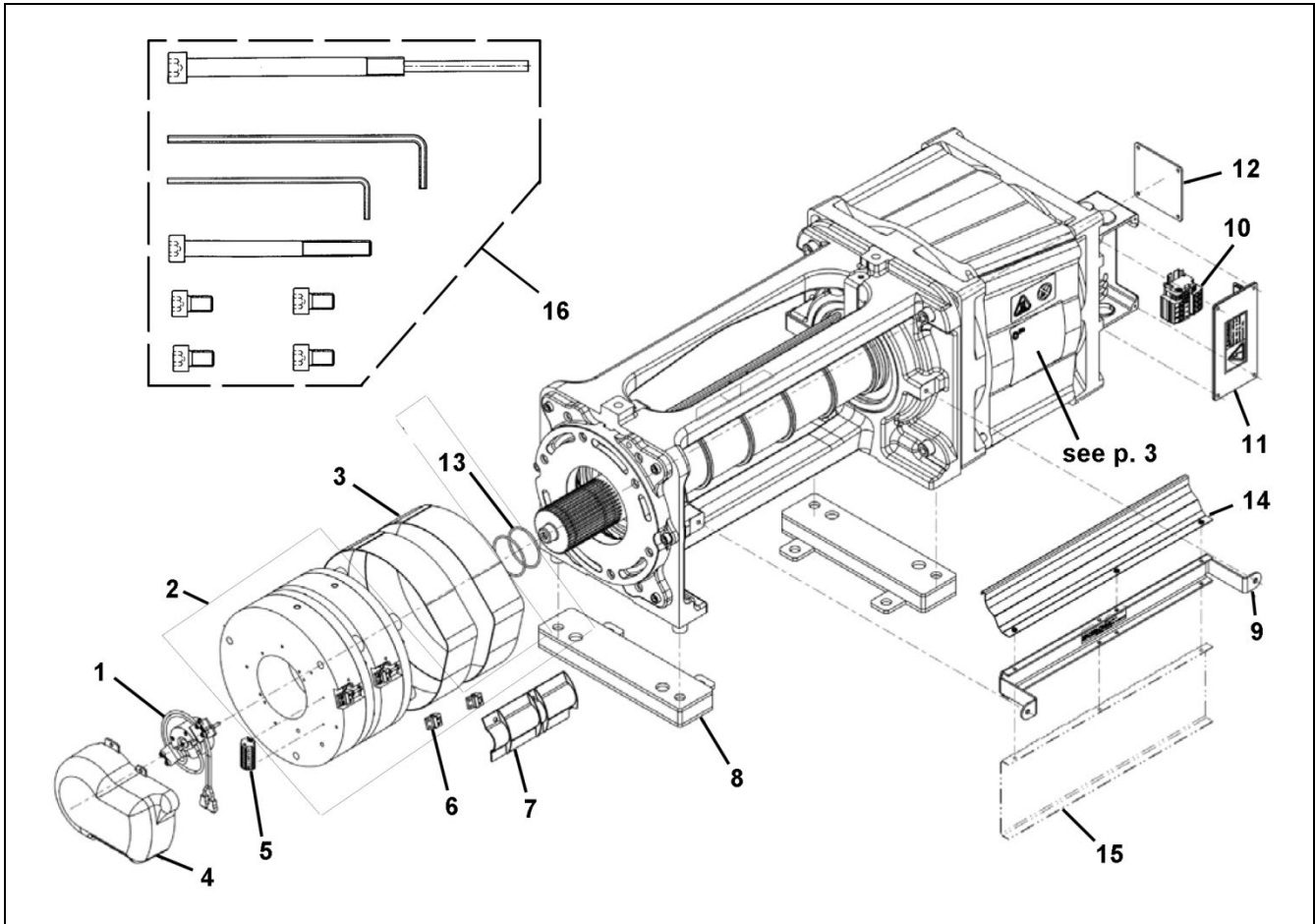
Optimized Gen2 Machine Assembly

06-AAA20220BE



1

REF. NO.	PART NO.	DUTY kg (lbs)	SPEED m/s (fpm)	DESCRIPTION	REMARKS
1	AAA20220BE1	1135–1588 (2500–3500)	1.02 (200)	Machine Assembly, Optimized Gen2 Machine, 4.1T and 5T, ASME Series	MACHRAT 4.1T - 53x1
	AAA20220BE11	1135–1588 (2500–3500)	1.78 (350)		MACHRAT 4.1T - 56x1
	AAA20220BE21	1814–2268 (4000–5000)	1.02 (200)		MACHRAT 5.0T - 53x2
	AAA20220BE31	1814–2268 (4000–5000)	1.78 (350)		MACHRAT 5.0T - 56x2



REF. NO.	PART NO.	DESCRIPTION	APPLICATION	REMARKS
1	AAA633AJ402	Integrated Encoder (3 Chan), Field Kit		includes encoder, jackbolt, 4 mm hex key, 5 mm hex key, 4 M5x8 socket head cap screws, 1 M5x60 socket head cap screw see AAA633AJ403 for jackbolt and hardware without encoder
2	AAA20236W401	Brake Assembly Field Kit	For machines AAA20220BE1 and AAA20220BE11	RSO300SO includes calipers, switches, rotor, mounting bolts, serrated washers, O-ring, Mayr / DM instructions

Parts list continued on next page

Gen2 Optimized Machine Components

06-AAA20220BE

REF. NO.	PART NO.	DESCRIPTION	APPLICATION	REMARKS
2	AAA20236W411	Brake Assembly Field Kit	for machines AAA20220BE21 and AAA20220BE31	RSO500 includes calipers, switches, rotor, mounting bolts, serrated washers, O-ring, Mayr / DM instructions
3	AAA346BEG5	Brake Cover, Rotor	for machines AAA20220BE1 and AAA20220BE11	RSO300SO
	AAA346BEG6	Brake Cover, Rotor	for machines AAA20220BE21 and AAA20220BE31	RSO500
4	AAA346BEG1	Brake Cover, Encoder	for machines AAA20220BE1 and AAA20220BE11	RSO300SO
	AAA346BEG2	Brake Cover, Encoder	for machines AAA20220BE21 and AAA20220BE31	RSO500
5	AAA21303DR1	Terminal Block Assembly, Brake, ASME		
6	AAA29509A1	Brake Switch Assembly	for machines AAA20220BE1 and AAA20220BE11	RH, RSO300SO
	AAA29509A2	Brake Switch Assembly	for machines AAA20220BE21 and AAA20220BE31	LH, RSO500
7	AAA346BEG3	Brake Cover, Switch	for machines AAA20220BE1 and AAA20220BE11	RSO300SO
	AAA346BEG4	Brake Cover, Switch	for machines AAA20220BE21 and AAA20220BE31	RSO500
8	AAA310WD2	Block, Isolation Pad		
9	AAA385TM1	Guide, Belt (retainer)		
10	AAA21303CW3	Terminal Block Assembly, Motor		
11	AAA346BEE1	Cover, Terminal Box		
12	AAA346BEF1	Cover, Stator End Bell		
13	AAA182AZ2	Packing, O-ring, Rotor (metric, 72 mm spline)	for machines AAA20220BE1 and AAA20220BE11	
	AAA182AZ3	Packing, O-ring, Rotor (metric, 82 mm spline)	for machines AAA20220BE21 and AAA20220BE31	
14	AAA384ASD1	Belt Retainer, Auxiliary, ASME		
15	AAA347CAA1	Protective Guard		
16	AAA633AJ403	Encoder Service Kit		includes: (1) jackbolt, (1) 5 mm Allen wrench, (1) 4 mm Allen wrench, (1) M5x60 hex socket head cap screw, and (4) M5x8 hex socket head cap screws.