

AC Gearless Machine 2.5T

Spare Parts Leaflet


06-AAA20220AJ

October 16, 2024 / Page 1 of 1

OBSOLESCENCE NOTICE

The product listed in this SPL is obsolete. Some components may still be available, but Otis recommends an upgrade (see TIP 32.2-1 for potential upgrade).

06 F-AAA20220 AJ

 © Otis Elevator Company

GEARLESS ELEVATOR TRACTION MACHINE WITH
VARIABLE FREQUENCY AND PWM VARIABLE VOLTAGE CONTROL

06 F-AAA20220 PART: A 20220

NOMINAL RATINGS:

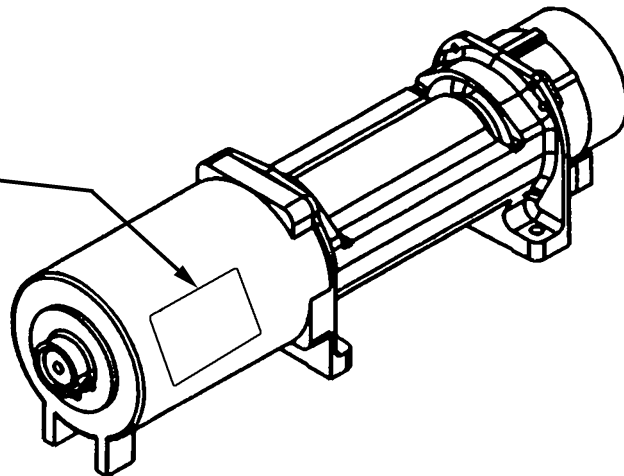
<input type="checkbox"/> VOLTS	<input type="checkbox"/> AMPS	<input type="checkbox"/> KW OUTPUT
<input type="checkbox"/> Hz	<input type="checkbox"/> rpm	<input type="checkbox"/> STARTS/HOUR
<input type="checkbox"/> %ED INTERMITTENT DUTY	<input type="checkbox"/> °C AMBIENT	


ENCLOSURE - IPSO, NON-VENTILATED

SERIAL NUMBER: _____

NO RELUBRICATION REQUIRED

MANUFACTURED BY KOLLMORGEN
MADE IN USA



For detailed parts information  SPL 06-AAA20220AH, AC Gearless Machine 1.5T.

OTIS

This document does not contain any
technical data subject to EAR or ITAR

SERVICE ENGINEERING
Otis Elevator Company
Bloomfield, Connecticut USA

Unpublished Work—© Otis Elevator Co.; 2024