

Shaft Encoders

Spare Parts Leaflet

06-7119AB

October 23, 2013 / Page 1 of 7

06	7119AB	
Y	VINTAGE	Y 01
REV	EN	

OR

06	7119AB	
Y	VINTAGE	Y 02
REV	EN	

OR

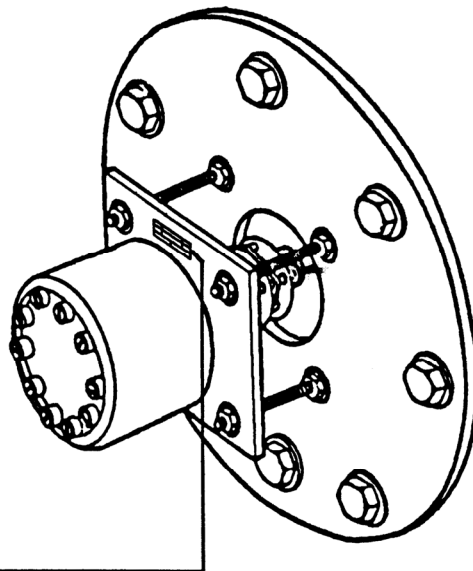
Y		
VINTAGE	01	Y
06	7119AD	

OR

Y		
VINTAGE	01	Y
06	7119AE	

NOTE:

This leaflet covers 7119AB, 7119AD, and 7119AE shaft encoders.



OTIS

This document does not contain any technical data subject to EAR or ITAR

SERVICE ENGINEERING
Otis Elevator Company
Bloomfield, Connecticut USA

Unpublished Work—© Otis Elevator Co.; 2013

Leaflet Description

This leaflet covers PVT encoder assemblies 7119AB, 7119AD and 7119AE. These encoders were applied on gearless machines in the 1980's and 1990's. Here are typical production dates and machines covered by each assembly:

7119AB (1983 to 1987) for Machines: 131HT, 139HT & 155HT.

7119AD (1986 to 1994) for Machines: 131HT, 139HT, 155HT, 219HT, 269HT (generally superseded by AAA21430D assembly approx. 1993).

7119AE (1986 to 1994) for Machines: mod application on older sleeve bearing gearless machines (Otis gearless machines 12, 14, 17, 72, 74, 77, 79, etc.).

Leaflet Revisions

Date Revised	Subject Matter Expert	Reason for Revision
June 1989	---	New SPL
April 21, 2010	Jesse Richter	Added a note on the cover page; updated parts, removed incorrect parts, and improved document usability.
October 23, 2013	Jesse Richter	Clarified use of 633B1 and 633B2 encoders for Vintage Y01 on pages 3 & 4.

Related Drawings

Drawing No.	Title	Drawing No.	Title
7119AB	Arrangement and Assembly, Encoder Mounting	7119AE	Encoder Mounting, Gearless Machines with Babbitt Bearings
7119AD	Arrangement and Assembly, Encoder Mounting	---	---

Related Documents

Document ID	Title
TIP 1.1.3.4.1-21	PVT, Mounted on Motor Shaft
TIP 1.1.3.4.1-41	Elevonic Shaft Encoder (PVT)
TIP 3.5.1-6	Type 633D Encoders for Elevonic Installations

Subject Matter Expert

Name	Department
Jesse Richter	OSC Service Engineering

About Spare Parts Leaflets...

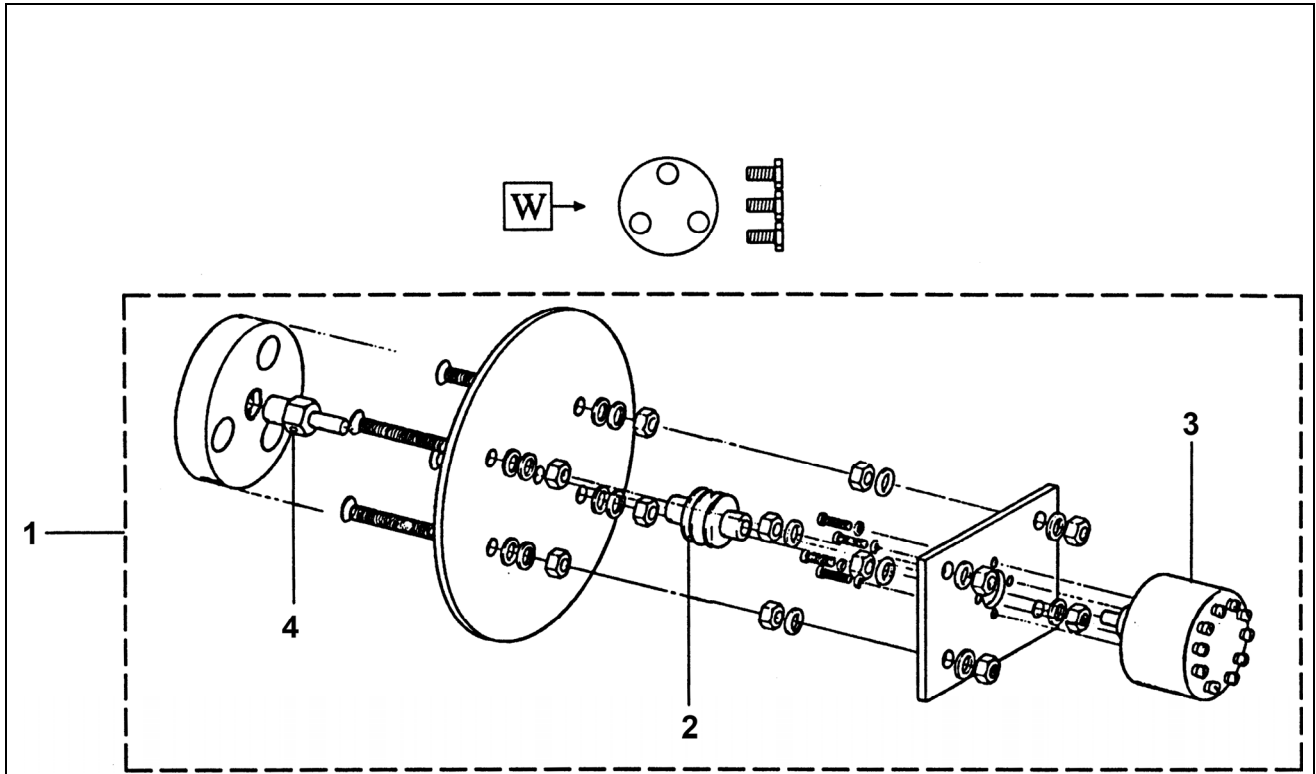
This document lists the lowest replaceable units (LRUs) for the standard version of the product. The LRUs are chosen by a team of Otis associates representing engineering and manufacturing.

While goal of this document is to make parts identification as easy as possible, the document cannot be all-inclusive. Elevator and escalator contracts classified as "special" or "custom" are not addressed here. For such contracts, please refer to specified information, the contract folder, TIPs, Field Education Articles, Construction Letters, etc. for further information.

If you have any suggestions about this document, please contact the subject matter expert listed on this page.

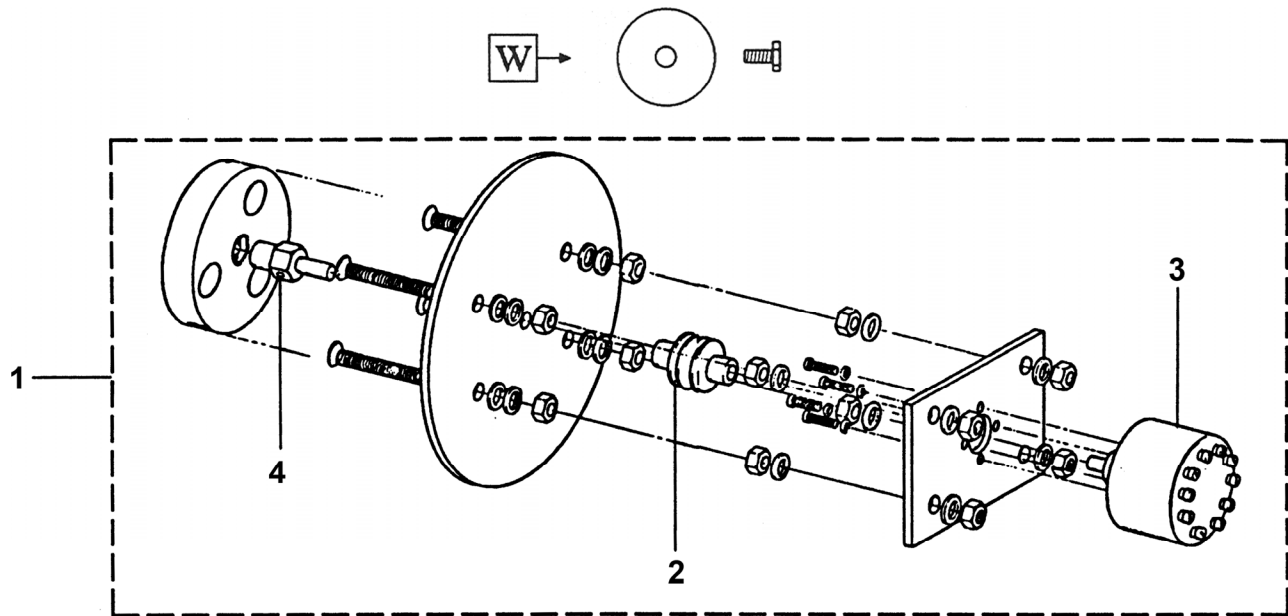
7119AB Shaft Encoder

06-7119AB



	W/O VINTAGE VINTAGE Y01	VINTAGE Y02		
REF. No.	PART No.	PART No.	DESCRIPTION	MACHINE
1	7119AB1	7119AB9	Assembly, Encoder, See NOTE	131HT
	7119AB3	7119AB11	Assembly, Encoder, See NOTE	139HT
	7119AB5	7119AB13	Assembly, Encoder, See NOTE	155HT
	7119AB8	---	Assembly, Encoder, See NOTE	339HT
	7119AB6	---	Assembly, Encoder, See NOTE	219HT
	7119AB7	---	Assembly, Encoder, See NOTE	269HT
2	215BK1	215BK1	Coupling, Flexible Disk Type, 0.25 in. Bore x 1.00 in. Long	---
3	633B1	---	Encoder, PPR = 1024, See NOTE	---
	633B2	633B2	Encoder, PPR = 2500, See NOTE	---
4	81DR1	81DR1	Pin, Thread 1/2-13 x 0.50 in. Long	---
	81DR2	81DR2	Pin, Thread M20 x 86 mm Long	---

NOTE: Vintage Y01 before 1986 used 633B1 encoder (see Ref. 3). Some are updated to use the 633B2 encoder. This requires a software change per TIPs 1.1.3.4.1-21, 1.1.3.4.1-41, and 3.5.1-6).

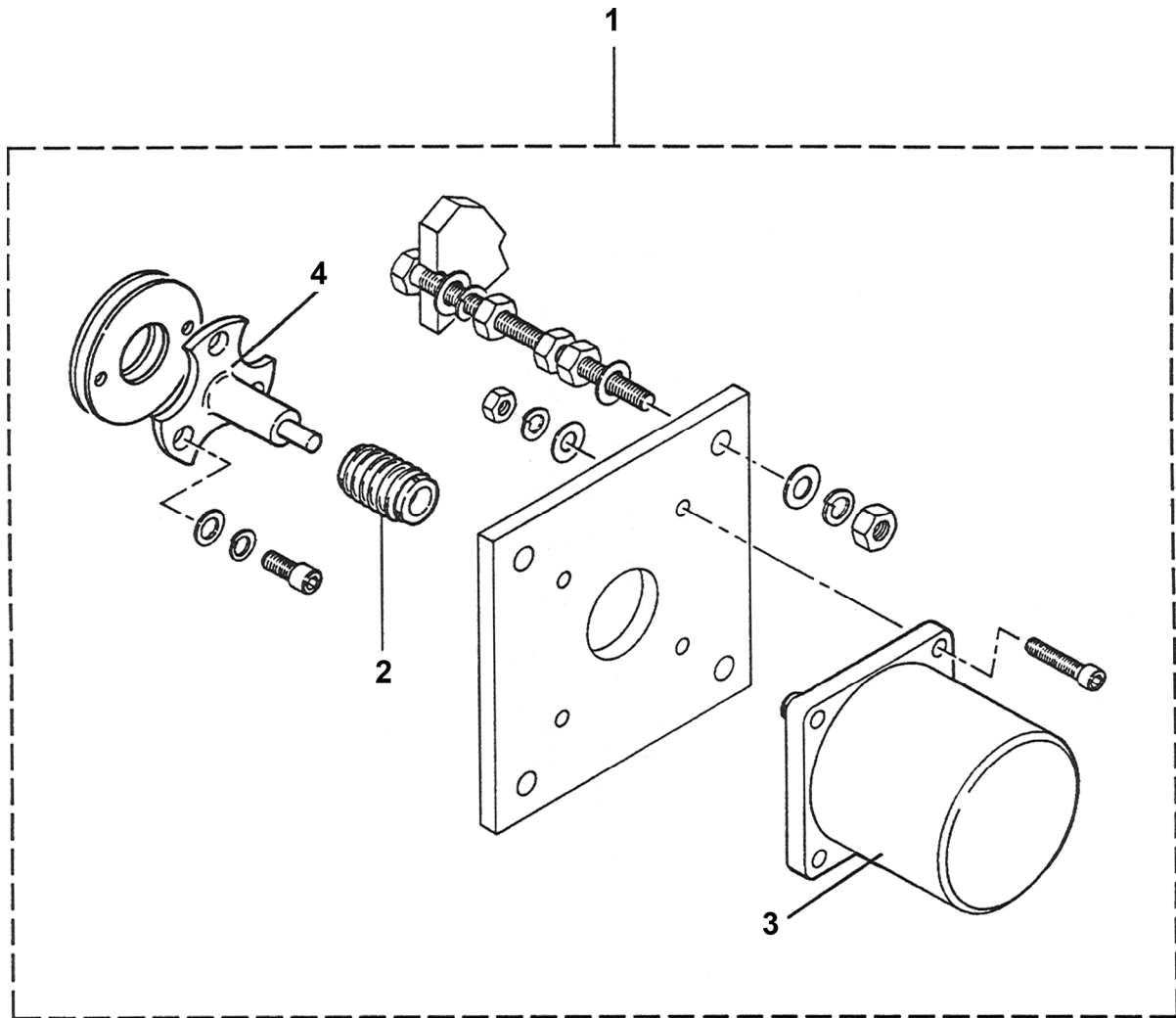


	W/O VINTAGE VINTAGE Y01	VINTAGE Y02		
REF. No.	PART No.	PART No.	DESCRIPTION	MACHINE
1	7119AB2	7119AB10	Assembly, Encoder, See NOTE	131HT (ETO)
	7119AB4	7119AB12	Assembly, Encoder, See NOTE	139HT (ETO)
2	215BK1	215BK1	Coupling, Flexible Disk Type, 0.25 in. Bore x 1.00 in. Long	---
3	633B1	---	Encoder, PPR = 1024, See NOTE	---
	633B2	633B2	Encoder, PPR = 2500, See NOTE	---
4	81DR2	81DR2	Pin, Thread M20 x 86 mm Long	---

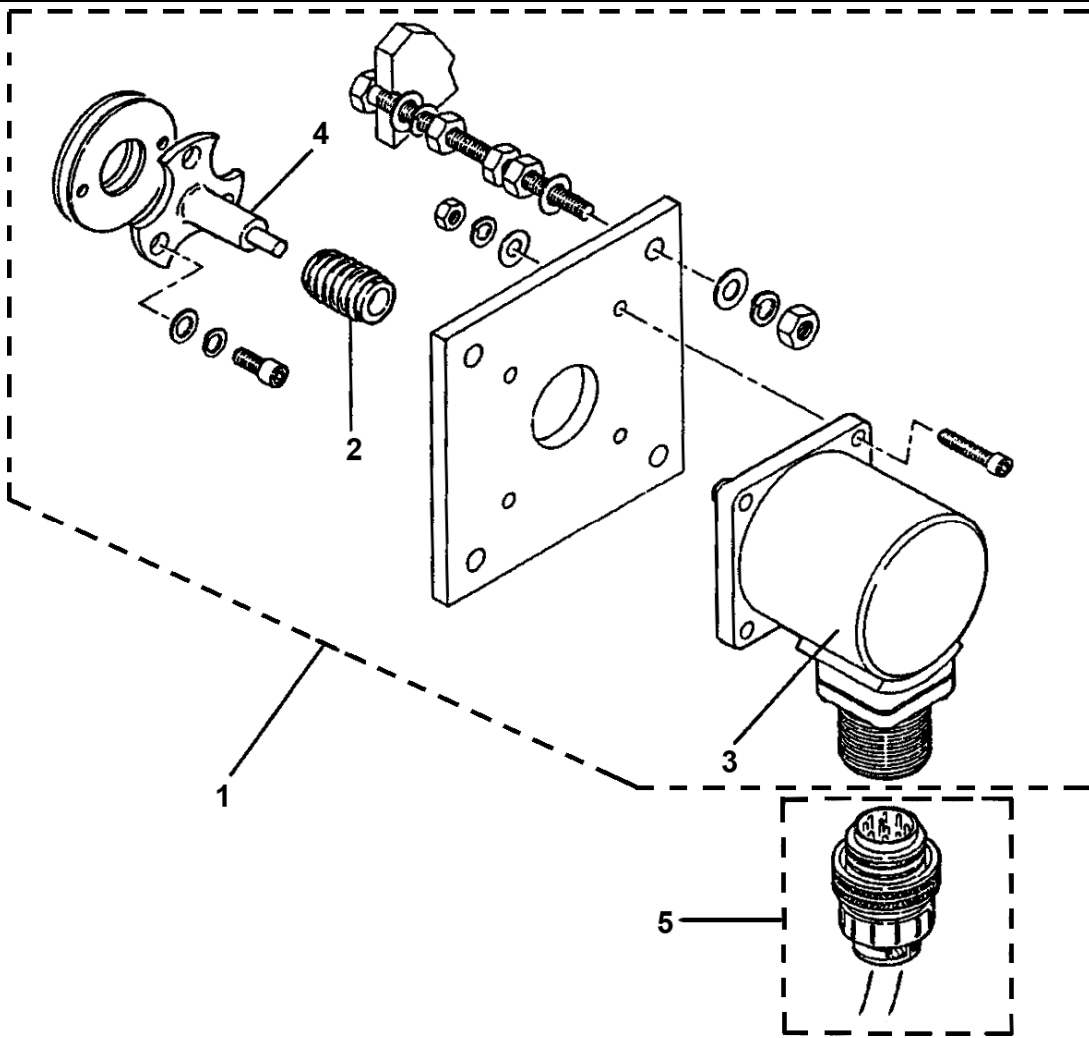
NOTE: Vintage Y01 before 1986 used 633B1 encoder (see Ref. 3). Some are updated to use the 633B2 encoder. This requires a software change per TIPS 1.1.3.4.1-21, 1.1.3.4.1-41, and 3.5.1-6).

7119AD Shaft Encoder

06-7119AB



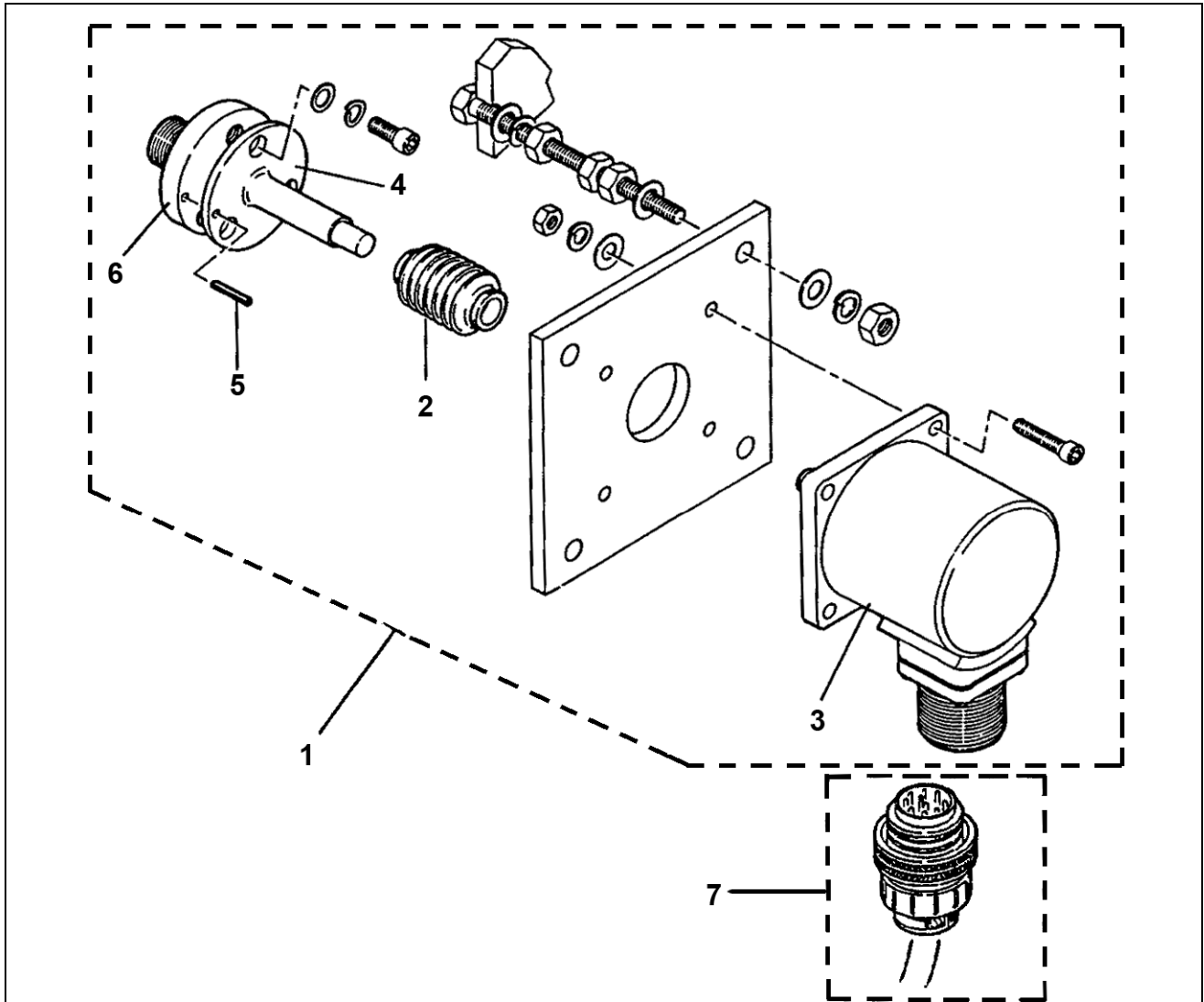
VINTAGE Y01			
REF. No.	PART No.	DESCRIPTION	MACHINE
1	7119AD1	Assembly, Encoder	131HT
	7119AD2	Assembly, Encoder	131HT (ETO)
	7119AD3	Assembly, Encoder	139HT
	7119AD4	Assembly, Encoder	139HT (ETO)
	7119AD5	Assembly, Encoder	155HT
2	215BN1	Coupling, Bellows Type, 0.25 in. Bore x 1.08 in. Long	---
3	633D4 A633D1	Encoder, 1:1 Roping, PPR = 10,000	---
	633B2	Encoder, PPR = 2500	---
4	494JY2	Extension, Shaft, 1.75 in Long, 0.25 in Coupling	---



VINTAGE Y01			
REF. No.	PART No.	DESCRIPTION	MACHINE
1	7119AD6	Assembly, Encoder	219HT
	7119AD7	Assembly, Encoder	269HT
	7119AD8	Assembly, Encoder	131HT
	7119AD10	Assembly, Encoder	139HT
	7119AD9	Assembly, Encoder (ETO service)	131HT
	7119AD11	Assembly, Encoder (ETO service)	139HT
	7119AD12	Assembly, Encoder (NAA)	155HT
2	215BN3	Coupling, Bellows Type, 0.375 in. Bore x 1.12 in. Long	---
	215BN7	Coupling, 3-Piece Type, 0.375 in. Bore x 1.28 in. Long	---
3	633D4 A633D1	Encoder, 1:1 Roping, PPR = 10,000	---
4	494JY1	Extension, Shaft, 2.25 in Long, 0.375 in Coupling	---
5	174GK1	Assembly, PVT Cable, Length = 50 ft.	---

7119AE Shaft Encoder

06-7119AB



VINTAGE Y01		
REF. No.	PART No.	DESCRIPTION
1	7119AE3	Assembly, Encoder, 1:1 Roping
	7119AE4	Assembly, Encoder, 1:1 Roping (w/o adapter)
	7119AE1	Assembly, Encoder, 2:1 Roping
	7119AE2	Assembly, Encoder, 2:1 Roping (w/o adapter)
2	215BN2	Coupling, Bellows Type, 0.375 in. Bore x 1.63 in. Long
3	633D4 A633D1	Encoder, 1:1 Roping, PPR = 10,000
	633D2	Encoder, 2:1 Roping, PPR = 2500
4	494JY1	Extension, Shaft, 2.25 in. Long x 0.50 in. Dia., 0.375 in. Coupling
	494JY3	Extension, Shaft, 2.25 in. Long x 0.375 in. Dia., 0.375 in. Coupling
5	81AX15	Pin, Spring, 0.125 in. Dia. X 0.75 in. Long
6	270AY1	Adapter, Thread 3/4-10 x 1.0 in. Long
7	174GK1	Assembly, PVT Cable, Length = 50 ft.