

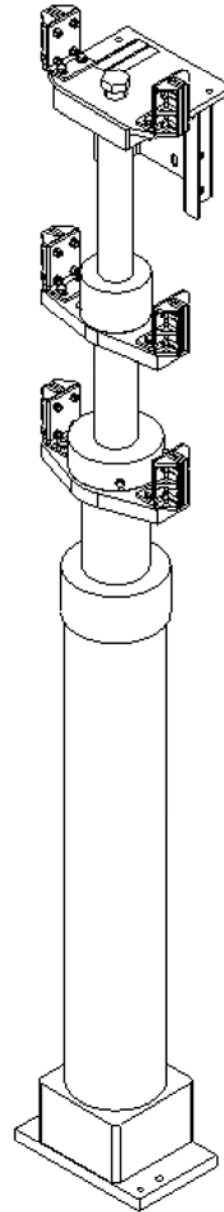
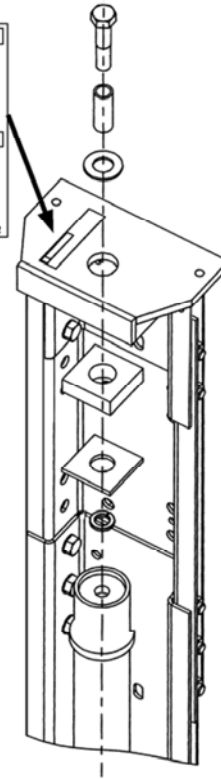
# Cylinder 3-Stage

Spare Parts Leaflet

03-AAA22840D

September 25, 2019 / Page 1 of 7

03	R-AAA22840E	THREE STAGE
FOR EXTERNAL SEAL REPLACEMENT USE AAA22840E501		
FOR INTERNAL SEAL REPLACEMENT USE AAA22840E500		
REMARKS: LOOK ON THE NAME PLATE LOCATED ON THE CYLINDER BASE FOR THE MARKING "CYLINDER TYPE-LGTZZ-50-3"		
03	R-AAA22840D	THREE STAGE
FOR EXTERNAL SEAL REPLACEMENT USE AAA22840D501		
FOR INTERNAL SEAL REPLACEMENT USE AAA22840D500		
REMARKS: LOOK ON THE NAME PLATE LOCATED ON THE CYLINDER BASE FOR THE MARKING "CYLINDER TYPE-LGTZZ-63-3"		
LABEL P/N: AAA182AL82		



# OTIS

This document does not contain any technical data subject to EAR or ITAR

SERVICE ENGINEERING  
Otis Elevator Company  
Bloomfield, Connecticut USA

Unpublished Work—© Otis Elevator Co.; 2019

## Leaflet Description

This leaflet details the replaceable packing and foot valve assembly for three-stage telescopic jacks, both the regular duty (AAA20800E) and extended duty (AAA20800D), manufactured by Leistriz.

## Leaflet Revisions

Date Revised	Subject Matter Expert	Reason for Revision
October 27, 2004	Troy Chicoine	New SPL
June 26, 2009	Troy Chicoine	Added p. 7, sliding guide LRUs AAA24179E
February 3, 2010	Jordan Winter	Added AAA271DM3 and AAA271DM4 and updated illustration on page 5.
July 6, 2016	Troy Chicoine	Added p/n AAA271DM1 on page 5
September 25, 2019	Troy Chicoine	Corrected illustration on p. 5

## Related Drawings

Drawing No.	Title	Drawing No.	Title
AAA22840D	3-Stage LVT Telescopic Cylinder, Extended Duty	AAA22840E	3-Stage LVT Telescopic Cylinder, Regular Duty
ACA24000N	Assembly Carframe and Platform Direct Holeless and Telescopic	AAA22880D	3-Stage Cylinder Follower Rail Assembly

## Related Documents

Document ID	Title
---	---

## Subject Matter Expert

Name	Department
Troy Chicoine	OSC Service Engineering

## About Spare Parts Leaflets...

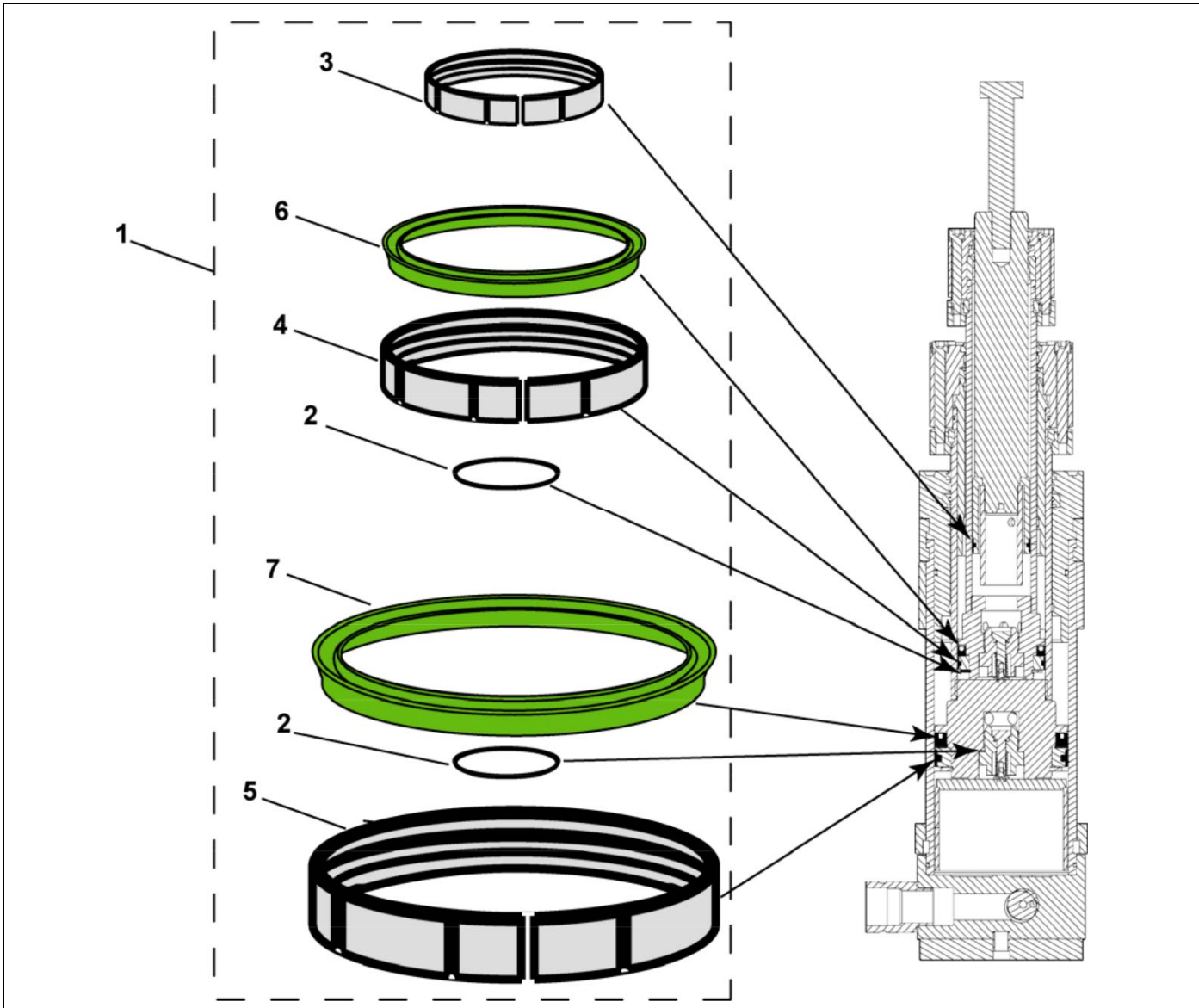
This document lists the lowest replaceable units (LRUs) for the standard version of the product. The LRUs are chosen by a team of Otis associates representing engineering and manufacturing.

While goal of this document is to make parts identification as easy as possible, the document cannot be all-inclusive. Elevator and escalator contracts classified as "special" or "custom" are not addressed here. For such contracts, please refer to specified information, the contract folder, TIPs, Field Education Articles, Construction Letters, etc. for further information.

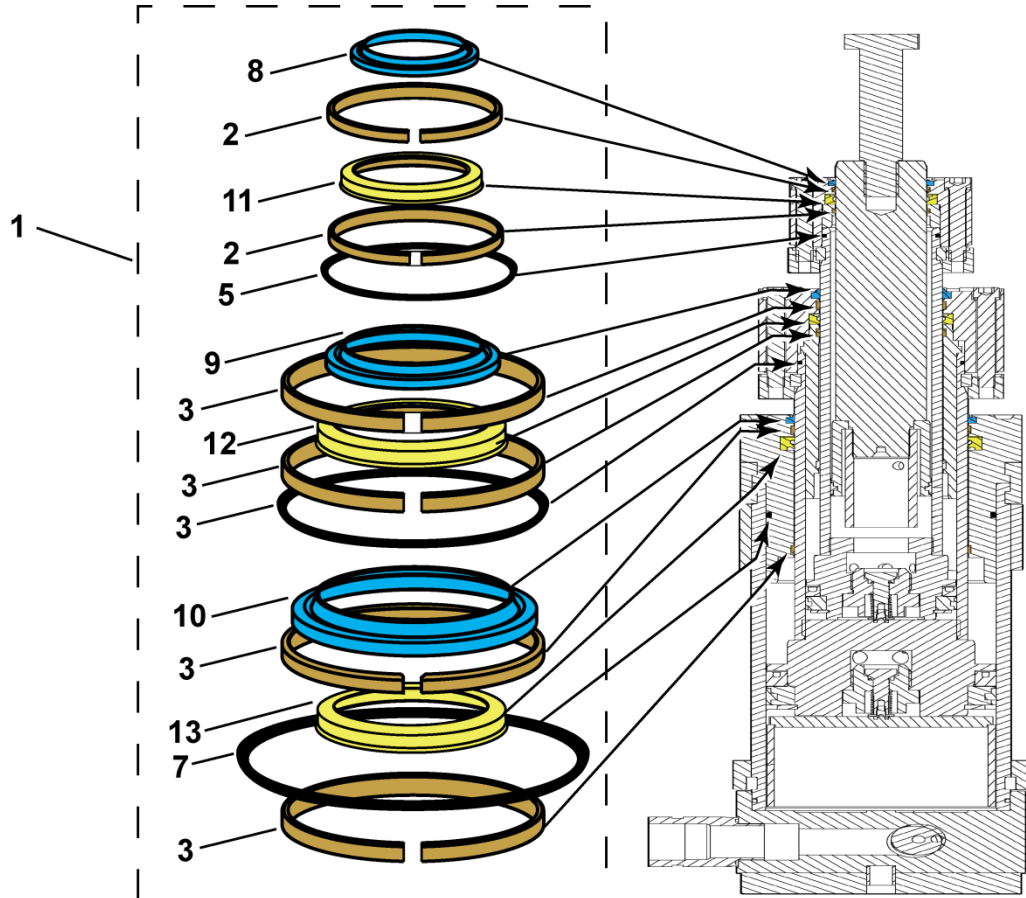
If you have any suggestions about this document, please contact the subject matter expert listed on this page.

# Internal Seal Kit

03-AAA22840D



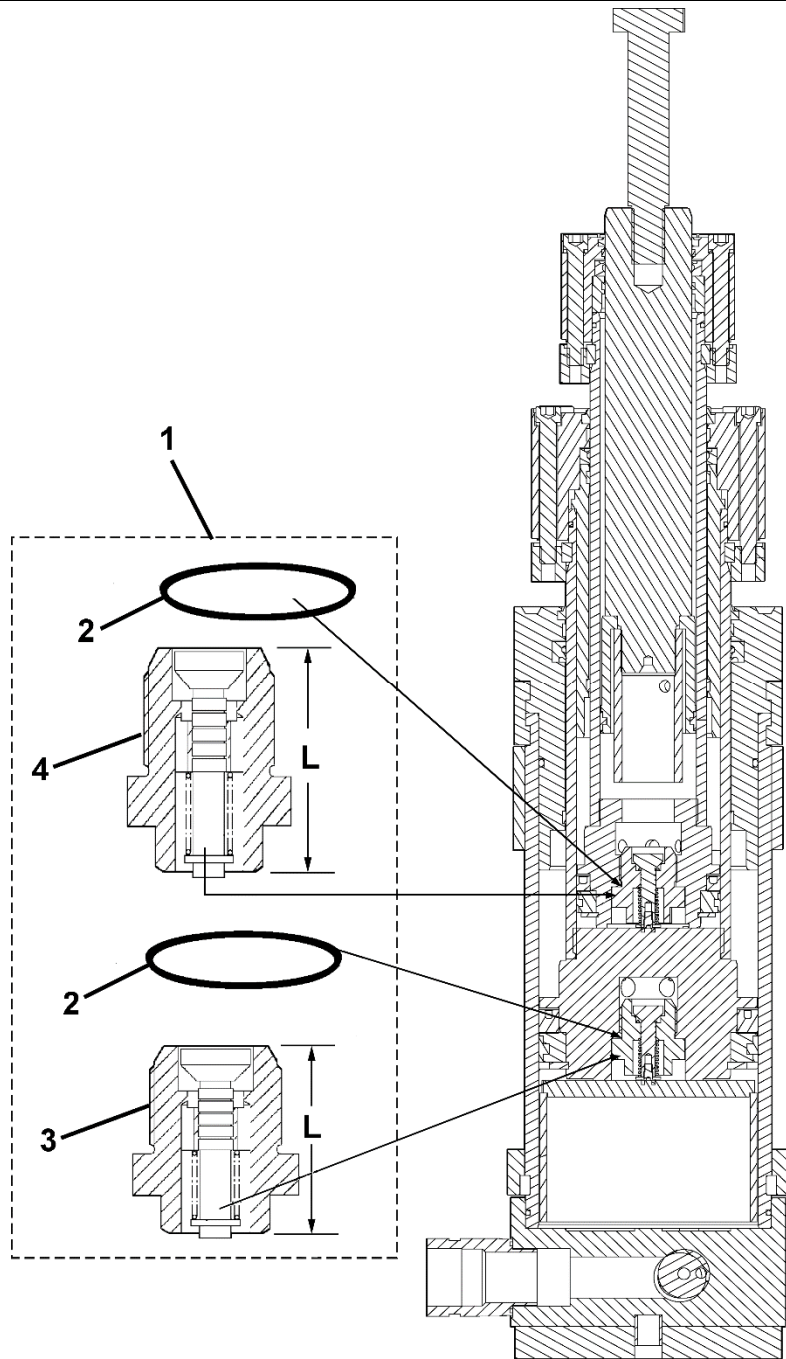
	AAA22840D	AAA22840E	
REF. No.	PART No.		DESCRIPTION
	Plunger Diameters (in.)		
	2.48 & 3.34 & 4.72	1.97 & 2.75 & 3.94	
1	AAA22840D500	AAA22840E500	Kit, Seal, Internal (contains Ref. Nos. 2–7)
2	---	---	O-Ring
3	---	---	Ring, Guide
4	---	---	Ring, Guide
5	---	---	Ring, Guide
6	---	---	Seal, Internal
7	---	---	Seal, Internal



	AAA22840D	AAA22840E	
REF. No.	PART No.		DESCRIPTION
	Plunger Diameters (in.)		
	2.48 & 3.34 & 4.72	1.97 & 2.75 & 3.94	
1	AAA22840D501	AAA22840E501	Kit, Seal, External (contains Ref. Nos. 2–13)
2	---	---	Guide Foil
3	---	---	Guide Foil
4	---	---	O-Ring
5	---	---	O-Ring
6	---	---	O-Ring
7	---	---	O-Ring
8	---	---	Scraper
9	---	---	Scraper
10	---	---	Scraper
11	---	---	Seal, External
12	---	---	Seal, External
13	---	---	Seal, External

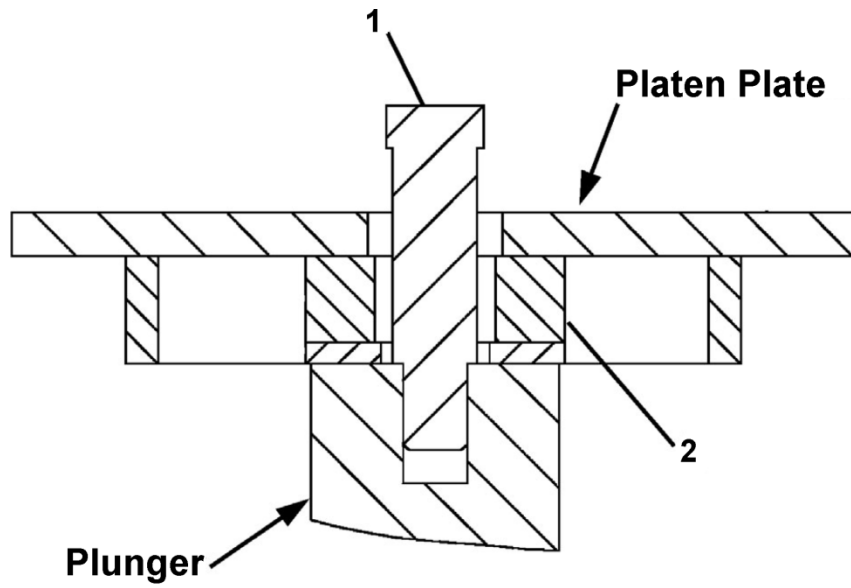
# Foot Check Valve Kit

03-AAA22840D



REF. No.	AAA22840D	AAA22840E	DESCRIPTION
REF. No.	PART No.		DESCRIPTION
1	AAA22840D502	AAA22840E502	Kit, Foot Check Valve (contains two Ref. 2, and one each of Ref. 3 and 4)
2	AAA376HF3		O-Ring
3	AAA271DM2		Valve, Bottom Foot Check (L = 59 mm)
4	AAA271DM4	AAA271DM3	Valve, Top Foot Check (L = 74 mm)
*	AAA271DM1		Valve, Bleeder, M12 Thread

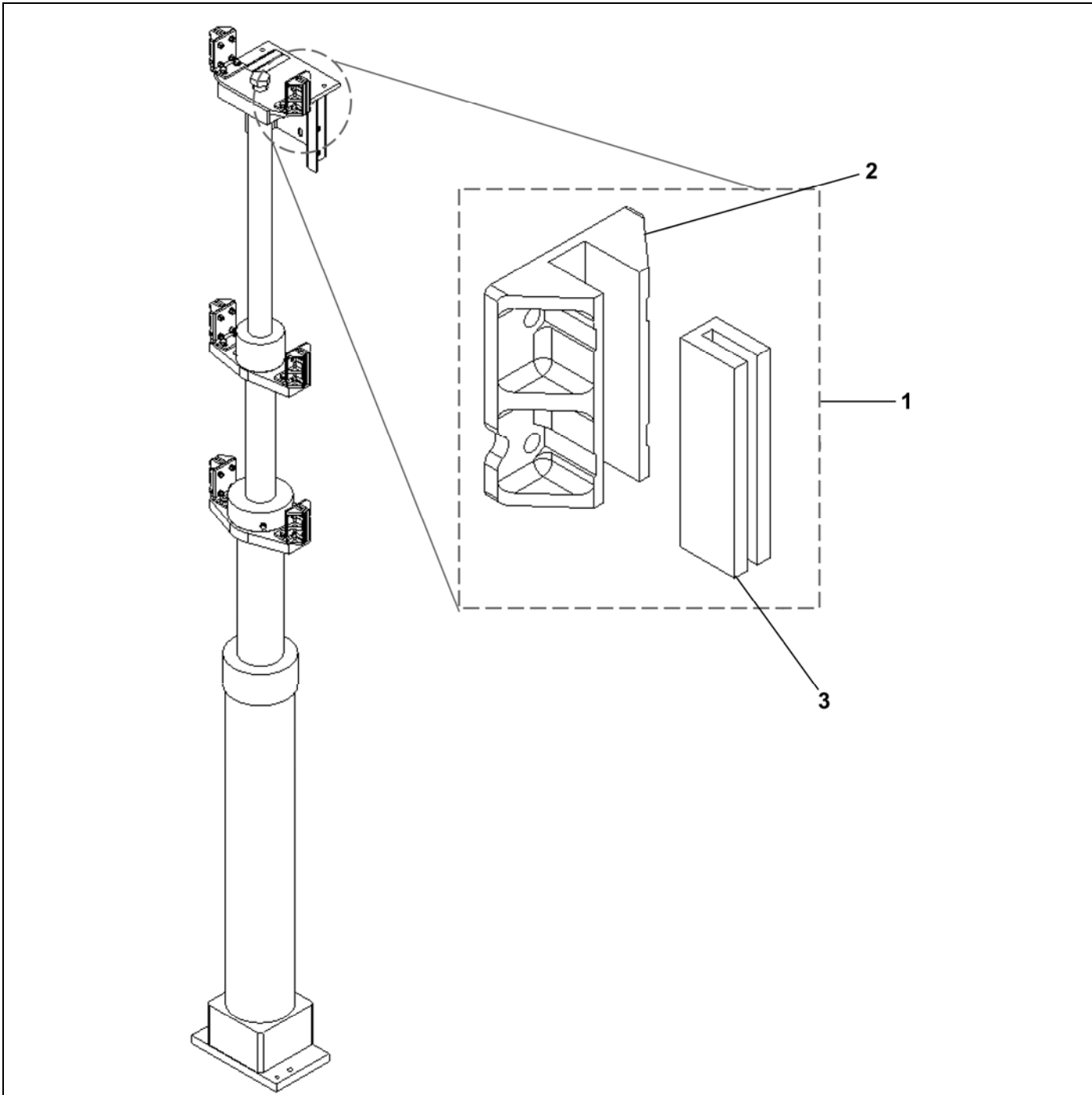
\* Part not shown



	AAA22840D AAA22840E	
REF. No.	PART No.	DESCRIPTION
1	AAA65JS1	Bolt, Shoulder
2	310JJ6	Block, Platen, Isolation

# Sliding Guides

03-AAA22840D



AAA22840D  
AAA22840E

REF. No.	PART No.	DESCRIPTION
1	AAA24179E3	Assembly, Guide Shoe
2	AAA24179E1	Base, Guide Shoe
3	AAA24179E2	Gib, Guide Shoe