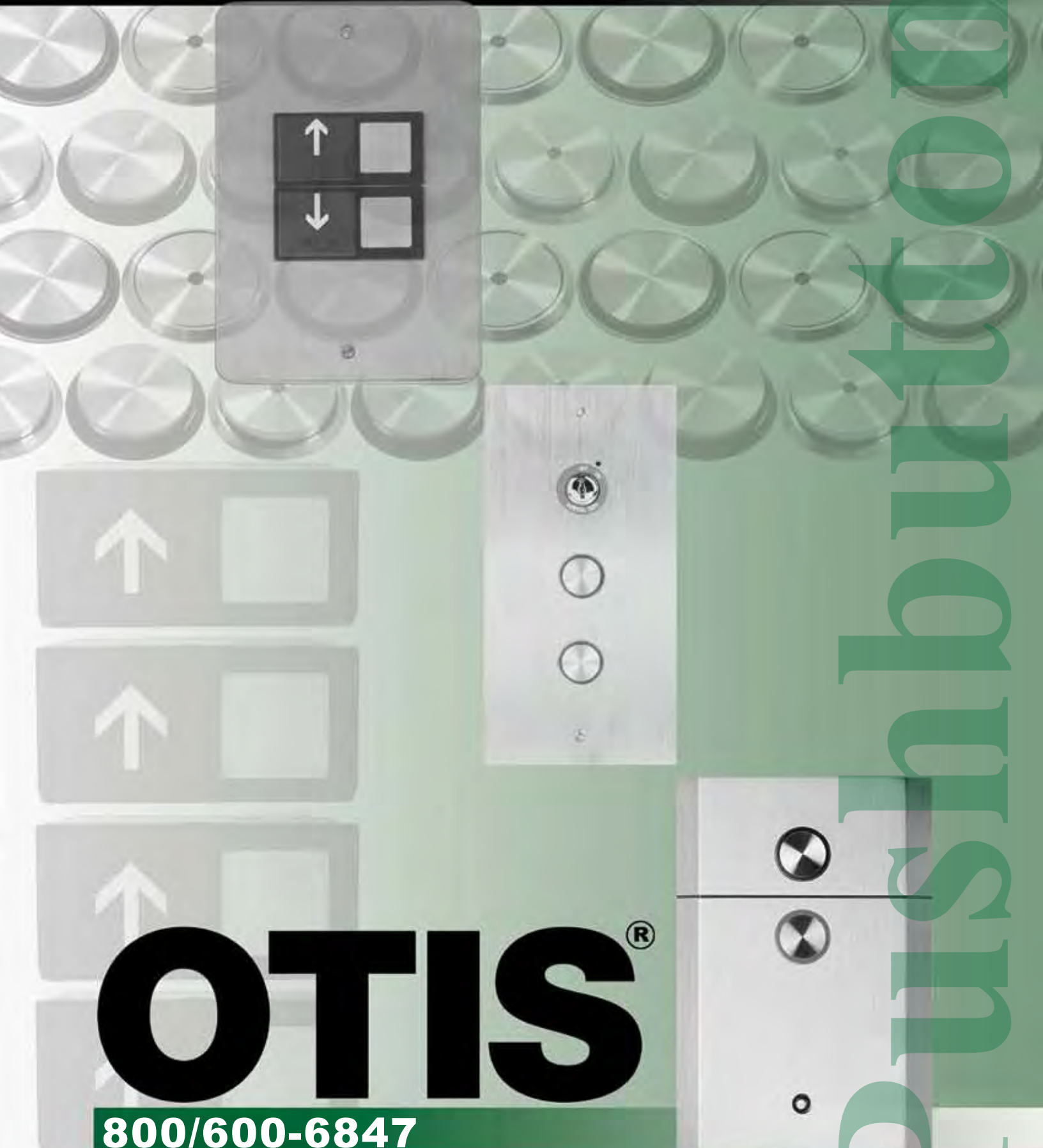


*first edition*

# ***PUSHBUTTONS***



*Pushbuttons*

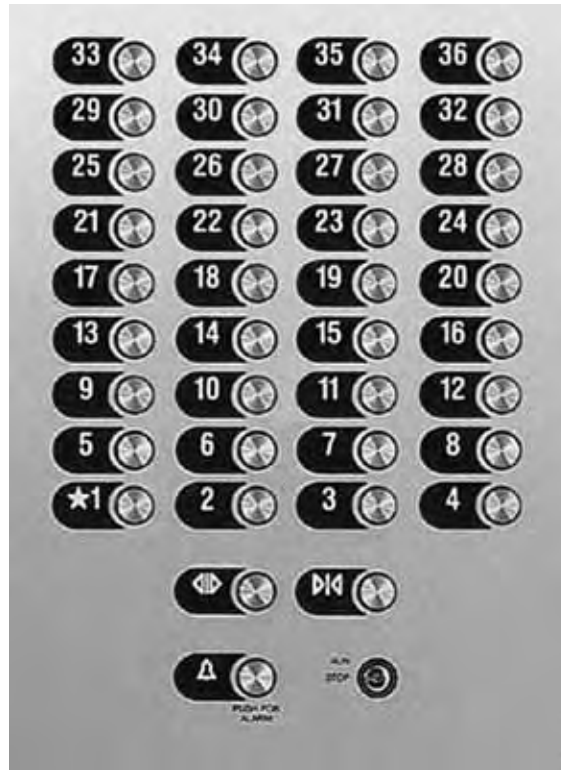
# **OTIS<sup>®</sup>**

**800/600-6847**

# ***PUSHBUTTONS***

# **OTIS®**

©Otis, February 2011

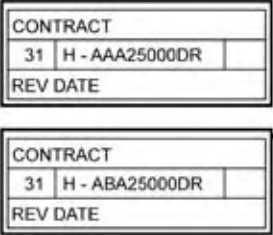


North America: (800) 600 - 6847 • Fax (860) 286 - 1605  
Elsewhere: (860) 286-4573 • [lynn.molinaroli@otis.com](mailto:lynn.molinaroli@otis.com)

## Notes About This Catalog Section

### Terminology, Sizing Standards, and Use

- The primary measurements shown for parts are based upon their design drawings.
- Most measurements are provided in both Imperial units (for the United States) and metric units (for Canada, Mexico, etc.). If only one form of a measurement is provided, assume Imperial units (generally inches) unless otherwise stated.
- Most Imperial measurements are rounded to the nearest tenth or hundredth of an inch and most metric measurements are rounded to the nearest millimeter.
- The term “vintage” refers to the period of time in which the original equipment was manufactured. If installation records are not available, the vintage of a component may be determined from a vintage tag affixed to the component. Shown here is a typical vintage tag used on a COP.



# PUSHBUTTONS

©Otis, February 2011



7069AF Buttons



Series 1 Fixtures



AAA23500AC & AAA23500AK Buttons



AAA23500AM Buttons



AAA23500AC & AAA23500AK Buttons



AAA23500AM Buttons



Series 2 Fixtures



Series 4 Fixtures

North America: (800) 600 - 6847 • Fax (860) 286 - 1605  
Elsewhere: (860) 286-4573 • [lynn.molinaroli@otis.com](mailto:lynn.molinaroli@otis.com)



# Table of Contents



<b>Notes About This Catalog Section .....</b>	<b>2</b>
<b>7014A.....</b>	<b>11</b>
<b>7014B.....</b>	<b>12</b>
<b>GS1-7014A .....</b>	<b>13</b>
<b>GS1-7014B.....</b>	<b>14</b>
<b>7035A.....</b>	<b>15</b>
<b>A7069A .....</b>	<b>16</b>
<b>7069Y.....</b>	<b>17</b>
<b>7069AF.....</b>	<b>18</b>
Graphic Inserts (250D* and 250E*) .....	19
Alarm Button, Raised White Graphic.....	28
Electrical Rating: 5A @250 VAC-DPDT .....	28
Electrical Rating: Nominal 12 V .....	30
Electrical Rating: Nominal 6 V .....	31
Alarm Button, Raised White Graphic with Black Printed Text on Target.....	32
Electrical Rating: 5A @250 VAC-DPDT .....	32
Electrical Rating: Nominal 12 V .....	33
Alarm Button, Raised White Graphic With Braille for ADA .....	34
Electrical Rating: Nominal 12 V .....	34
Electrical Rating: Nominal 6 V .....	36
Attendant Non-Stop Button	
White Printed Text .....	37
Electrical Rating: 5A @250 VAC-SPDT .....	37
Electrical Rating: 30 V.....	40
Call Cancel (Reset) Button, White Printed Text.....	42
Electrical Rating: 5A @250 VAC-SPDT .....	42
Call Cancel (Reset) Button White Printed French Text.....	43
Electrical Rating: 5A @250 VAC-SPDT .....	43
Door Open Button Raised White Graphic.....	44
Electrical Rating: 5A @250 VAC-DPDT .....	44
Door Open Button, Raised White Graphic w/Braille.....	50
Electrical Rating: 5A @250 VAC-DPDT .....	50
Electrical Rating: 5A @250 VAC-SPDT .....	51
Door Close Button Raised White Graphic.....	52
Electrical Rating: 5A @250 VAC-SPDT .....	52
Electrical Rating: 5A @250 VAC-DPDT .....	56
Door Close Button, Raised White Graphic with Braille.....	58
Electrical Rating: 5A @250 VAC-SPDT .....	58



# PUSHBUTTONS

Rear Door Open Button	
Raised White Graphic .....	59
Electrical Rating: 5A @250 VAC-SPDT .....	59
Electrical Rating: 5A @250 VAC-DPDT .....	61
Rear Door Open Button, Raised White Graphic w/White Printed Text .....	62
Electrical Rating: 5A @250 VAC-SPDT .....	62
Electrical Rating: 5A @250 VAC-DPDT .....	63
Rear Door Open Button, Raised White Graphic w/Braille.....	66
Electrical Rating: 5A @250 VAC-DPDT .....	66
Rear Door Close Button Raised White Graphic.....	68
Electrical Rating: 5A @250 VAC-SPDT.....	68
Electrical Rating: 5A @250 VAC-DPDT .....	69
Rear Door Close Button,	
Raised White Graphic w/White Printed Text.....	71
Electrical Rating: 5A @250 VAC-SPDT.....	71
Electrical Rating: 5A @250 VAC-DPDT .....	73
Rear Door Close Button,	
Raised White Graphic w/Braille.....	75
Electrical Rating: 5A @250 VAC-SPDT .....	75
Rear Door Close Button, Raised White Graphic w/Braille & Printed Text .....	76
Electrical Rating: 5A @250 VAC-SPDT.....	76
Electrical Rating: 5A @250 VAC-DPDT .....	76
Floor Button, Single Digit,	
Raised White Graphic, Illuminated Target .....	77
Electrical Rating: N/A .....	77
Electrical Rating: 24 VDC.....	78
Electrical Rating: 30 VDC.....	79
Electrical Rating: 48 VDC.....	81
Electrical Rating: 115 VAC.....	81
Floor Button, Double Digit Raised White Graphic Illuminated Target.....	82
Electrical Rating: NA.....	82
Electrical Rating: 24 VDC.....	83
Electrical Rating: 30 VDC.....	84
Electrical Rating: 48 VDC.....	85
Electrical Rating: 115 VAC.....	86
Floor Button, Single or Double Digit	
Raised White Graphic Illuminated Target .....	87
Electrical Rating: 30 VDC.....	87
Floor Button, Single or Double Digit	
Raised White Graphic w/Braille and Illuminated Target.....	88
Electrical Rating: 30 VDC.....	88



Electrical Rating: 110 VDC.....	88
Electrical Rating: 110 VAC.....	89
Hall Call, Up Button, Raised White Graphic, Illuminated Target.....	89
Electrical Rating: 15 VAC .....	89
Electrical Rating: 24 VDC.....	90
Electrical Rating: 48 VDC.....	91
Electrical Rating: 115 VAC.....	92
Electrical Rating: 30 VDC.....	93
Hall Call, Up Button, Raised White Graphic w/Braille, Illuminated Target .....	98
Electrical Rating: 30 VDC.....	98
Electrical Rating: 110 VDC.....	101
Hall Call, Down Button, Raised White Graphic, Illuminated Target.....	102
Electrical Rating: N/A .....	102
Electrical Rating: 24 VDC.....	103
Electrical Rating: 48 VDC.....	103
Electrical Rating: 115 VAC.....	104
Electrical Rating: Nominal 30 VDC .....	106
Hall Call, Down Button, Raised White Graphic w/Braille, Illuminated Target .....	111
Electrical Rating: Nominal 110 VAC .....	111
Electrical Rating: Nominal 30 VDC .....	112
Hall Call Button, Jamb Mounted, Raised White Graphic, Illuminated Target.....	114
Electrical Rating: Nominal 30 VDC .....	114
Electrical Rating: Nominal 24 VDC .....	114
Stop Button White Printed Text.....	115
Electrical Rating: 5A @250 VAC-SPDT .....	115
Electrical Rating: 5A @250 VAC-DPDT .....	116
7069AF Button Kits.....	117
<b>7069BF.....</b>	<b>118</b>
Two-Button Module w/Remote Station & Housing, Hall Panel & Flat COP Applications .....	118
One-Button Module w/Remote Station & Housing, Hall Panel & Flat COP Applications .....	120
Two-Button Module w/Remote Station, Molded COP Applications.....	123
One-Button Module w/Remote Station, Molded COP Applications .....	125
Button Kits.....	126



# PUSHBUTTONS

## AAA23500AK..... 127

### Micro-Motion III Pushbuttons:

Flat Flush, Screw Connector.....	128
Electrical Rating: 6 VDC.....	128
Electrical Rating: 12 VDC.....	129
Electrical Rating: 30 VDC.....	129
Electrical Rating: 120 VAC.....	129
Electrical Rating: 120 VDC.....	130
Electrical Rating: 120 V Maximum.....	130

### Micro-Motion III Pushbuttons: Flat Projecting, Screw Connector..... 131

Electrical Rating: 6 VDC.....	131
Electrical Rating: 12 VDC.....	132
Electrical Rating: 30 VDC.....	132
Electrical Rating: 120 VAC.....	133
Electrical Rating: 120 VDC.....	133
Electrical Rating: 120 V Maximum.....	133

### Micro-Motion III Pushbuttons:

Concave Flush, Screw Connector.....	134
Electrical Rating: 6 VDC.....	134
Electrical Rating: 12 VDC.....	134
Electrical Rating: 120 VAC.....	135
Electrical Rating: 120 VDC.....	135
Electrical Rating: 120 V Maximum.....	135

### Micro-Motion III Pushbuttons: Concave Projecting, Screw Connector..... 136

Electrical Rating: 6 VDC.....	136
Electrical Rating: 12 VDC.....	136
Electrical Rating: 120 VAC.....	137
Electrical Rating: 120 VDC.....	137
Electrical Rating: 120 V Maximum.....	137

## AAA23500AM..... 138

### Micro-Motion III Pushbuttons: Flat Flush, Screw Connector..... 138

Electrical Rating: 6 VDC.....	138
Electrical Rating: 30 VDC.....	138
Electrical Rating: 120 VAC.....	138
Electrical Rating: 120 VDC.....	138
Electrical Rating: 120 V Maximum.....	138

### Micro-Motion III Pushbuttons: Flat Flush, Amp Connector..... 139

Electrical Rating: 24 VDC.....	139
--------------------------------	-----

### Micro-Motion III Pushbuttons: Flat Projecting, Screw Connector..... 139

Electrical Rating: 6 VDC.....	139
Electrical Rating: 12 VDC.....	139
Electrical Rating: 30 VDC.....	139
Electrical Rating: 120 VAC.....	139

©Otis, February 2011





- Electrical Rating: 120 VDC ..... 139
- Electrical Rating: 120 V Maximum ..... 139
- Micro-Motion III Pushbuttons: Flat Projecting, Amp Connector ..... 140
  - Electrical Rating: 24 VDC..... 140
- Micro-Motion III Pushbuttons: Concave Flush, Screw Connector ..... 140
  - Electrical Rating: 6 VDC..... 140
  - Electrical Rating: 12 VDC..... 140
  - Electrical Rating: 120 VAC ..... 140
  - Electrical Rating: 120 VDC ..... 140
  - Electrical Rating: 120 V Maximum ..... 140
- Micro-Motion III Pushbuttons: Concave Flush, Amp Connector ..... 141
  - Electrical Rating: 24 VDC..... 141
- Micro-Motion III Pushbuttons: Concave Projecting, Screw Connector ..... 141
  - Electrical Rating: 6 VDC..... 141
  - Electrical Rating: 12 VDC..... 141
  - Electrical Rating: 120 VAC ..... 141
  - Electrical Rating: 120 VDC ..... 141
  - Electrical Rating: 120 V Maximum ..... 141
- Micro-Motion III Pushbuttons: Concave Projecting, Amp Connector ..... 141
  - Electrical Rating: 24 VDC..... 141
- AAA23500AQ ..... 142**
- Motionless II Pushbutton, Luxury Fixtures, Flat Flush ..... 142
  - Electrical Rating: 24 VDC..... 142
- Motionless II Pushbutton, Luxury Fixtures, Flat Projecting..... 143
  - Electrical Rating: 24 VDC..... 143
- Motionless II Pushbutton, Luxury Fixtures, Concave Flush ..... 143
  - Electrical Rating: 24 VDC..... 143
- Motionless II Pushbutton, Luxury Fixtures, Concave Projecting ..... 144
  - Electrical Rating: 24 VDC..... 144
- AAA23500BY ..... 145**
- Micro-Motion III Pushbuttons: Flat Flush, Screw Connector ..... 146
  - Electrical Rating: 6 VDC..... 146
  - Electrical Rating: 12 VDC..... 146
  - Electrical Rating: 30 VDC..... 147
  - Electrical Rating: 120 VAC ..... 147
  - Electrical Rating: 120 VDC ..... 147
  - Electrical Rating: 120 V Max..... 147
- Micro-Motion III Pushbuttons: Flat Projecting, Screw Connector ..... 148
  - Electrical Rating: 6 VDC..... 148
  - Electrical Rating: 12 VDC..... 148
  - Electrical Rating: 30 VDC..... 149



# PUSHBUTTONS

Electrical Rating: 120 VAC .....	149
Electrical Rating: 120 VDC .....	149
Electrical Rating: 120 V Max.....	149
Micro-Motion III Pushbuttons: Concave Flush, Screw Connector .....	150
Electrical Rating: 6 VDC.....	150
Electrical Rating: 12 VDC.....	150
Electrical Rating: 120 VAC.....	151
Electrical Rating: 120 VDC .....	151
Electrical Rating: 120 V Max.....	151
Micro-Motion III Pushbuttons: Concave Projecting,	
Screw Connector.....	152
Electrical Rating: 6 VDC.....	152
Electrical Rating: 12 VDC.....	152
Electrical Rating: 120 VAC.....	153
Electrical Rating: 120 VDC .....	153
Electrical Rating: 120 V Max.....	153
<b>AAA23500BZ .....</b>	<b>154</b>
Micro-Motion III Vandal-Resistant Pushbutton: Flat Flush,	
Screw Connector.....	154
Electrical Rating: 6 VDC.....	154
Electrical Rating: 12 VDC.....	154
Electrical Rating: 30 VDC.....	154
Electrical Rating: 120 VAC .....	154
Electrical Rating: 120 VDC .....	154
Electrical Rating: 120 V Maximum.....	154
Micro-Motion III Vandal-Resistant Pushbutton: Flat Projecting,	
Screw Connector.....	155
Electrical Rating: 6 VDC.....	155
Electrical Rating: 12 VDC.....	155
Electrical Rating: 30 VDC.....	155
Electrical Rating: 120 VAC .....	155
Electrical Rating: 120 VDC .....	155
Electrical Rating: 120 V Maximum.....	155
Micro-Motion III Vandal-Resistant Pushbutton: Concave Flush,	
Screw Connector.....	156
Electrical Rating: 6 VDC.....	156
Electrical Rating: 12 VDC.....	156
Electrical Rating: 120 VAC .....	156
Electrical Rating: 120 VDC .....	156
Electrical Rating: 120 V Maximum.....	156
Micro-Motion III Vandal-Resistant Pushbutton: Concave Projecting,	
Screw Connector.....	157
Electrical Rating: 6 VDC.....	157



- Electrical Rating: 12 VDC..... 157
- Electrical Rating: 120 VAC..... 157
- Electrical Rating: 120 VDC..... 157
- Electrical Rating: 120 V Maximum..... 157
- AAA23500AAD, Motionless Button ..... 158**
  - Disks for Motionless Buttons ..... 160
- AAA23500AAF, Series 1 ..... 161**
  - Button Assemblies ..... 161
  - Button Assembly Components ..... 162
  - Targets..... 163
- AAA23500CH ..... 164**
  - Micro-Motion III Pushbuttons: Flat Flush, Amp Connector..... 164
    - Electrical Rating: 24 VDC..... 164
  - Micro-Motion III Pushbuttons: Flat Projecting, Amp Connector ..... 165
    - Electrical Rating: 24 VDC..... 165
  - Micro-Motion III Pushbuttons: Concave Flush, Amp Connector ..... 166
    - Electrical Rating: 24 VDC..... 166
  - Micro-Motion III Pushbuttons: Concave Projecting, Amp Connector..... 167
    - Electrical Rating: 24 VDC..... 167
- AA\* 23500D, Series 2 ..... 168**
  - Button Assemblies ..... 168
  - Kits for Upgrading from AAC23500D to AAD23500D..... 170
  - Micro-Motion II Pushbuttons: PC Boards ..... 172
  - Micro-Motion II Pushbuttons: Housing, Spacer, and Spring..... 173
  - Targets..... 174
    - Without Engraving ..... 174
    - With Engraving (Flat)..... 177
- AAA7069AAS..... 180**
  - Button Module Assemblies without Insert ..... 180
  - Type I Button Module Assembly ..... 181
  - Type II Button Module Assembly ..... 182

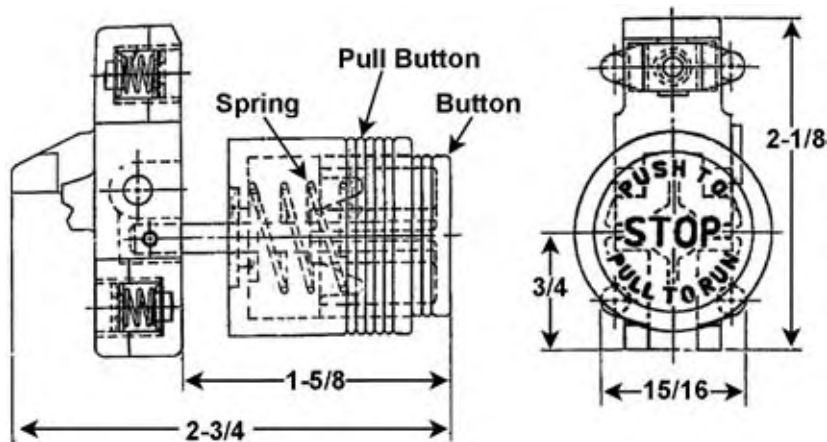


# PUSHBUTTONS

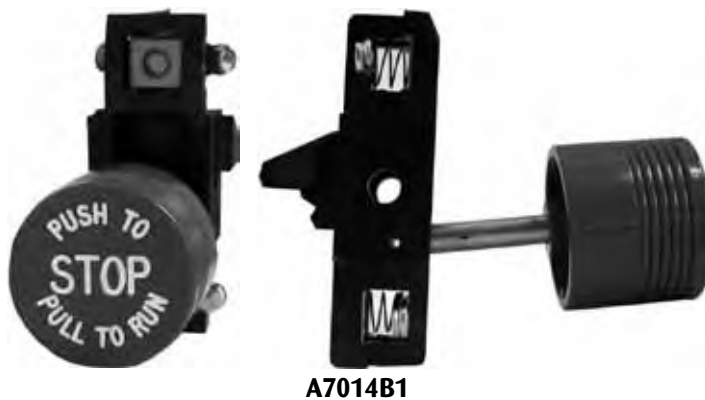
## 7014A

Refer to SPL C-1024A

Part No.	Description	Marking
A7014B1	Button, Assembly, 1 in.	Push to Stop - Pull to Run
A7014B3	Button, Assembly, 1 in.	(per order)
A7014B5	Button, Assembly, 1 in., with Pull Button	Push to Stop - Pull to Run



A7014B Button Assemblies



A7014B1

## 7014B

Refer to SPL C-1024A

Part No.	Description	Marking
A323AY3	Button, Assembly, 1 in.	Push to Stop - Pull to Run
A323AY4	Button, Assembly, 1 in.	(per order)



A323AY3

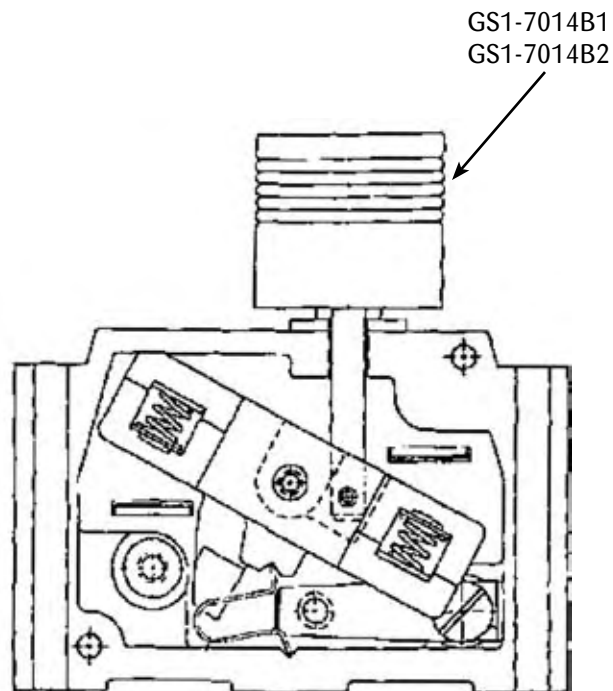


# PUSHBUTTONS

## GS1-7014A

Refer to SPL C-1024A

Part No.	Description	Marking
GS1-7014B1	Button, Assembly, 3/4 in.	Emergency Stop
GS1-7014B2	Button, Assembly, 3/4 in., with Spring Return	Emergency Stop



## GS1-7014B

Refer to SPL C-1024A

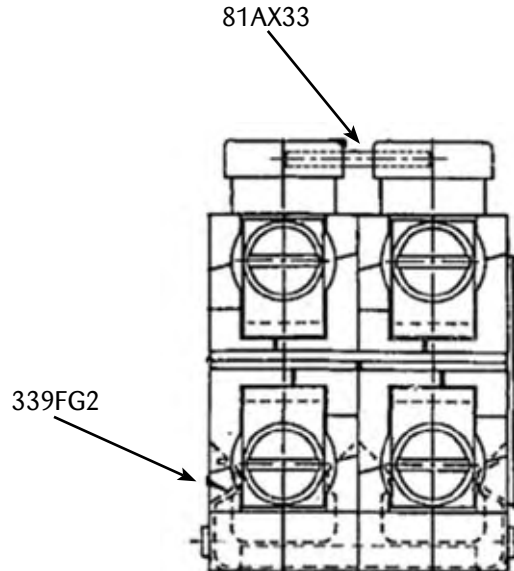
Part No.	Description
AAA323DL4	Button, Assembly, 3/4 in.



# PUSHBUTTONS

## 7035A

Part No.	Description
323CG2	Button
339FG2	Clip, Fastening, for Double Unit, A = 1.203 in.
339FG1	Clip, Fastening, for Single Unit, A = 0.578 in.
AAA424AB3	Lamp, Neon with Resistor
AAA232FN73	Resistor, 1,000 Ohms
81AX33	Spring Pin



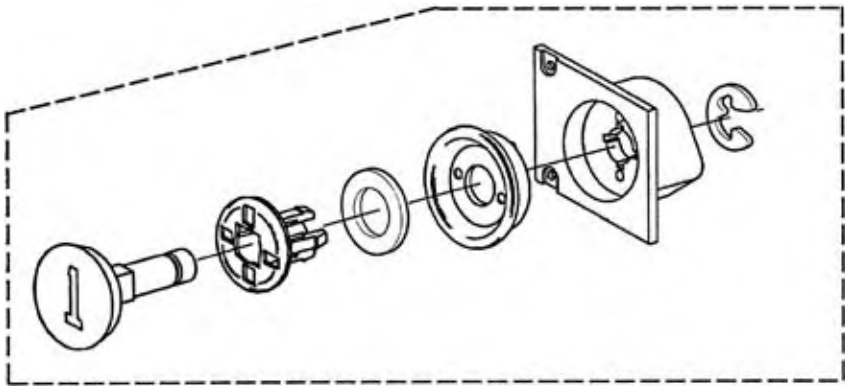


## A7069A

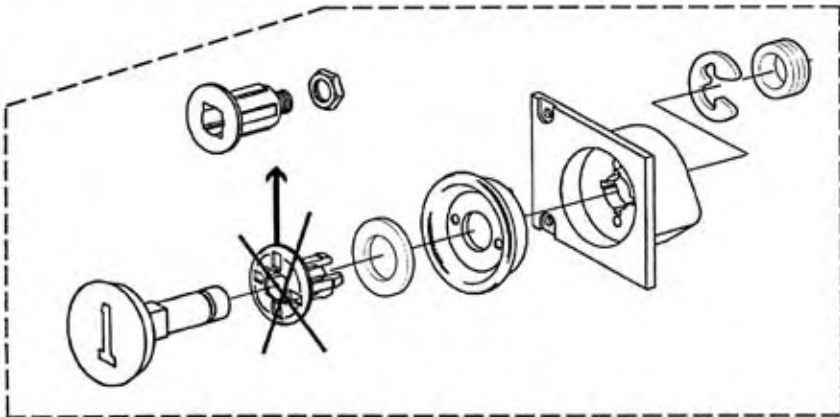
Refer to SPL 31-A7069A

Part No.	Description
A7069A1-*	Button Assembly
A7069A2-*	Button Assembly
2700AEA2	Components to Make Button ADA

\* Specify Marking



A7069A1-\*



A7069A2-\*



A7069A1-1

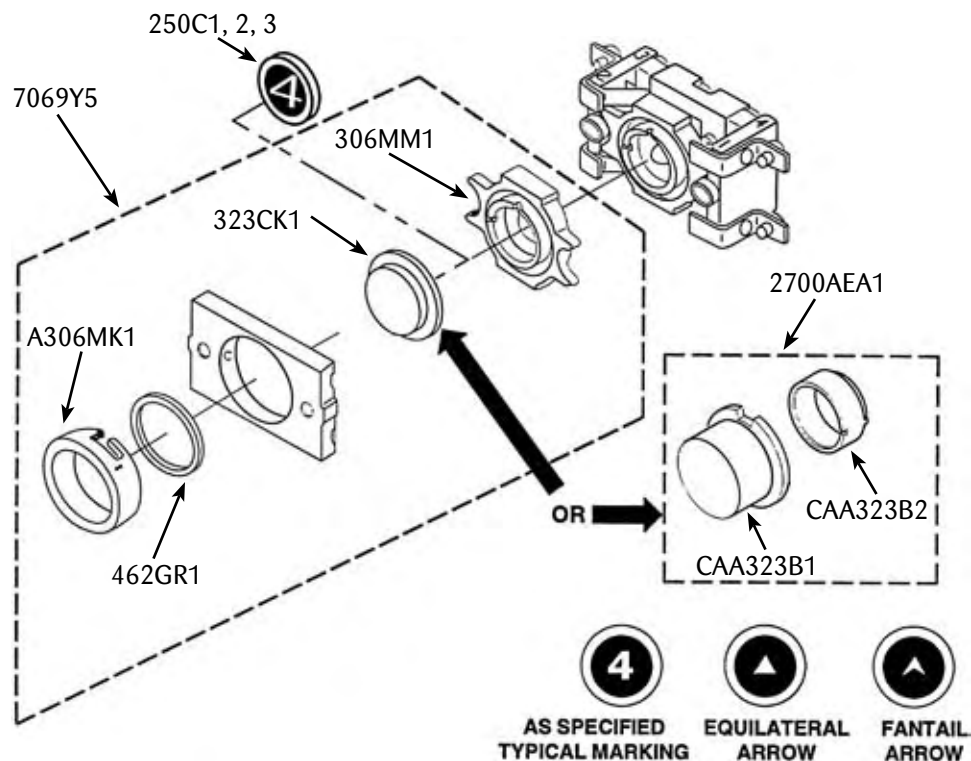
# PUSHBUTTONS

## 7069Y

Refer to SPL 31-7069Y

Part No.	Description
2700AEA1	ADA Kit (discard 323CK1 when using this kit)
306MM1	Base
A306MK1	Base, for Light Ring
CAA323B1	Button
7069Y5	Button Kit w/Blank (Black) Insert, w/o Switch
323CK1	Button, Standard, D = 1.0 in, W = 0.38 in
250C1-*	Insert, Marked: As Specified
250C2	Insert, Marked: Equilateral Arrow
250C3	Insert, Marked: Fantail Arrow
386BNM1	Plate (E = 0.28 in.)
CAA323B2	Spacer
462GR1	Spacer, used with faceplates 14 GA (0.075 in. thick or less)

©Otis, February 2011



## 7069AF

Refer to SPL 31-7069AF

Part No.	Description
396VB1	Housing, Black
396VB2	Housing, Clear
396VB3	Housing, White
424R2	Lamp, Incandescent, 14 V
424R1	Lamp, Incandescent, 28 V
AAA629BD2	Lamp, Incandescent, Orange
278EA1	Reflector
94FA1	Spring, Reflector
323DA2	Target, Green
323DA6	Target, Green
323DA4	Target, Red
323DA8	Target, Red
323DA3	Target, Yellow
323DA7	Target, Yellow

\* Note: Items are non-standard, there will be a lead time and may require price quote



**7069AF Buttons  
for Series 1 Fixtures**



# PUSHBUTTONS

## Graphic Inserts (250D\* and 250E\*)

Refer to SPL 31-250D

P/N: 250D1



P/N: 250D2



P/N: 250D3



P/N: 250D4



P/N: 250D5



P/N: 250D6



P/N: 250D7



P/N: 250D8



P/N: 250D9



P/N: 250D10



P/N: 250D11



P/N: 250D12



P/N: 250D13



P/N: 250D14



P/N: 250D15



P/N: 250D16



P/N: 250D17



P/N: 250D18



P/N: 250D19



P/N: 250D20



P/N: 250D21



P/N: 250D22



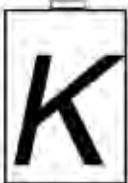
P/N: 250D23



P/N: 250D24



P/N: 250D25



P/N: 250D26



P/N: 250D27



P/N: 250D28



P/N: 250D29



P/N: 250D30



P/N: 250D31



©Otis, February 2011

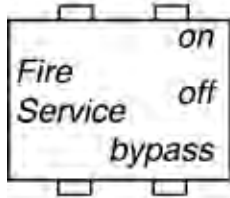
## 250D, 250E Graphic Inserts (continued)

P/N: 250E1 DOOR OPEN BUTTON	P/N: 250E2 DOOR CLOSED BUTTON	P/N: 250E3 REAR DOOR OPEN BUTTON	P/N: 250E4 REAR DOOR CLOSE BUTTON	P/N: 250E5 ALARM BUTTON
P/N: 250E6 ATTENDANT NON-STOP BUTTON	P/N: 250E7 EMERGENCY STOP SWITCH	P/N: 250E8 JAMB BUTTON	P/N: 250E9 CALL CANCEL BUTTON	P/N: 250E10 BLANK
Attendant Non-Stop	STOP RUN		Call Cancel	
P/N: 250E11 K/S HOSPITAL SERVICE	P/N: 250E12 K/S POWER (MG SET)	P/N: 250E13 K/S SECURITY	P/N: 250E14 K/S ATTENDANT	P/N: 250E15 K/S LIGHT
Priority Service on off	Power on off	secure ● clear	Attendant Service on off	
P/N: 250E16 K/S EMERGENCY POWER	P/N: 250E17 K/S FAN SINGLE SPEED	P/N: 250E18 K/S PART CTL	P/N: 250E19 K/S ACCESS	P/N: 250E20 K/S SES PH. 2 ANSI/PH. 1 CHI. PH. 2 CHICAGO
Emergency Power 1 2		car to lobby ● park	Access off ▲ ▼	Fire Service on off

© Otis, February 2011

# PUSHBUTTONS

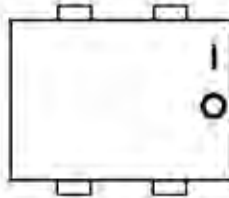
P/N: 250E21  
K/S  
SES  
PH 1 ANSI



P/N: 250E22  
K/S  
SES  
PH 1 N.Y.C.



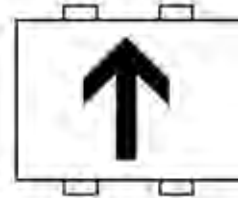
P/N: 250E23  
K/S INDEPENDANT  
SERVICE/ATTEN/  
CTL (ETO)



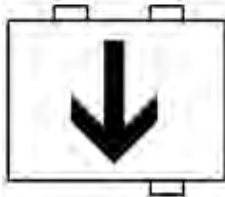
P/N: 250E24  
K/S  
PH 2 N.Y.C.



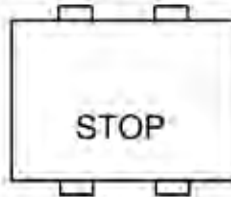
P/N: 250E25  
HALL UP  
BUTTON



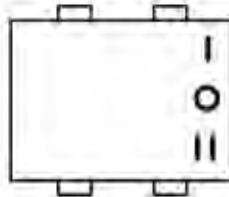
P/N: 250E26  
HALL DOWN  
BUTTON



P/N: 250E27  
EMERGENCY STOP  
(ETO)  
K/S OR BUTTON



P/N: 250E28  
K/S  
CAR TO  
LOBBY (ETO)



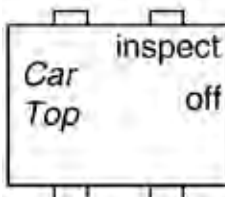
P/N: 250E29  
K/S  
GROUP  
SECURITY



P/N: 250E30  
ATTENDANT  
NON-STOP  
BUTTON (ETO)



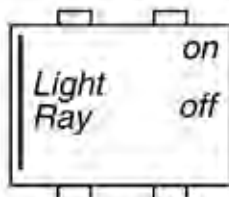
P/N: 250E31  
K/S (NAO)  
INSPECTION  
INITIATION



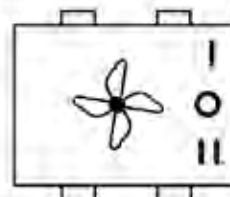
P/N: 250E32  
K/S (NAO)  
INDEPENDANT  
SERVICE



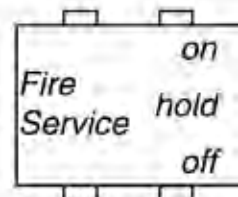
P/N: 250E33  
K/S (NAO)  
LIGHT-RAY  
CUTOUT



P/N: 250E34  
K/S  
(NAO)  
FAN 2-SPEED



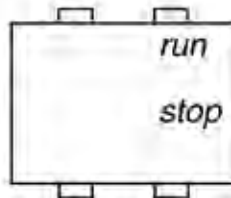
P/N: 250E35  
K/S  
SES PH. 2 ANSI



P/N: 250E36  
K/S (NAO)  
REAR LIGHT  
RAY CUTOUT



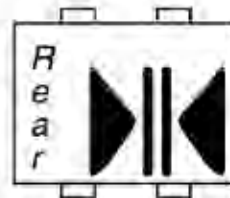
P/N: 250E37  
K/S  
(NAO)  
IN CAR STOP



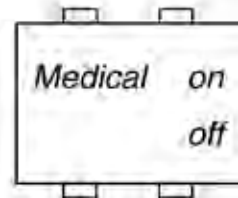
P/N: 250E38  
BUTTON (NAO)  
(NOT CANADA)  
REAR DR. OPEN



P/N: 250E39  
BUTTON (NAO)  
(NOT CANADA)  
REAR DR. CLOSE



P/N: 250E40  
K/S EMERGENCY  
MEDICAL HALL



## 250D, 250E Graphic Inserts (continued)

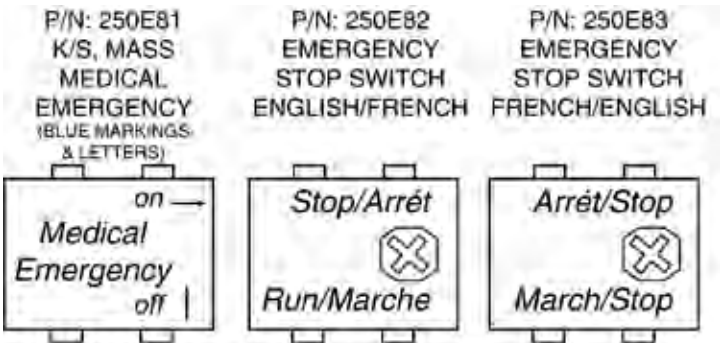
<p>P/N: 250E41 K/S EMERGENCY MEDICAL CAR</p>	<p>P/N: 250E42 INSPECTION</p>	<p>P/N: 250E43 INDEPENDENT SERVICE</p>	<p>P/N: 250E44 INDEPENDENT SERVICE</p>	<p>P/N: 250E45 HOSP. SERV. PRIORITY SERV.</p>
<p>P/N: 250E46 HOSP. SERV. PRIORITY SERV.</p>	<p>P/N: 250E47 REAR LIGHT RAY</p>	<p>P/N: 250E48 PH. 1 AUTO RECALL</p>	<p>P/N: 250E49 PH. 2</p>	<p>P/N: 250E50 PH. 2</p>
<p>P/N: 250E51 LIGHT RAY</p>	<p>P/N: 250E52 LIGHT RAY</p>	<p>P/N: 250E53 ACCESS</p>	<p>P/N: 250E54 ACCESS</p>	<p>P/N: 250E55 RESET</p>
<p>P/N: 250E56 RESET</p>	<p>P/N: 250E57 EMERGENCY POWER</p>	<p>P/N: 250E58 EMERGENCY POWER</p>	<p>P/N: 250E59 GROUP SECURITY</p>	<p>P/N: 250E60 GROUP SECURITY</p>

# PUSHBUTTONS

<p>P/N: 250E61 REAR LIGHT RAY</p>	<p>P/N: 250E62 K/S ELEVATOR EMERG. POWER <small>(hol stamp elev. No. at XX)</small> (RED LETTERS)</p>	<p>P/N: 250E63 K/S EMERGENCY RECALL (RED LETTERS)</p>	<p>P/N: 250E64 K/S EMERGENCY RECALL (RED LETTERS)</p>	<p>P/N: 250E65 K/S EMERGENCY RECALL (RED LETTERS)</p>
<p>P/N: 250E66 K/S EMERGENCY MEDICAL HALL</p>	<p>P/N: 250E67 K/S EMERGENCY MEDICAL CAR</p>	<p>P/N: 250E68 EMERGENCY STOP SWITCH</p>	<p>P/N: 250E69 EMERGENCY STOP SWITCH</p>	<p>P/N: 250E70 EMERGENCY STOP SWITCH</p>
<p>P/N: 250E71 K/S WILD CAR</p>	<p>P/N: 250E72 K/S PHASE 2 N.Y.C. (RED LETTERS)</p>	<p>P/N: 250E73 K/S ATTENDANT SERVICE</p>	<p>P/N: 250E74 K/S STANDBY POWER</p>	<p>P/N: 250E75 K/S STANDBY MANUAL, POWER AUTO</p>
<p>P/N: 250E76 K/S ALARM ACKNOWLEDGE</p>	<p>P/N: 250E77 K/S ALARM ACKNOWLEDGE</p>	<p>P/N: 250E78 K/S ALARM ACKNOWLEDGE</p>	<p>P/N: 250E79 K/S ALARM ACKNOWLEDGE</p>	<p>P/N: 250E80 K/S ALARM ACKNOWLEDGE</p>



## 250D, 250E Graphic Inserts (continued)



# PUSHBUTTONS

## Screws

Self-threading screws for plastic are used to assemble button modules.

## Assembly

Types 1, 2, 3, & 6 with only PC board or only switch(es)

Types 4 with PC board and switch brackets

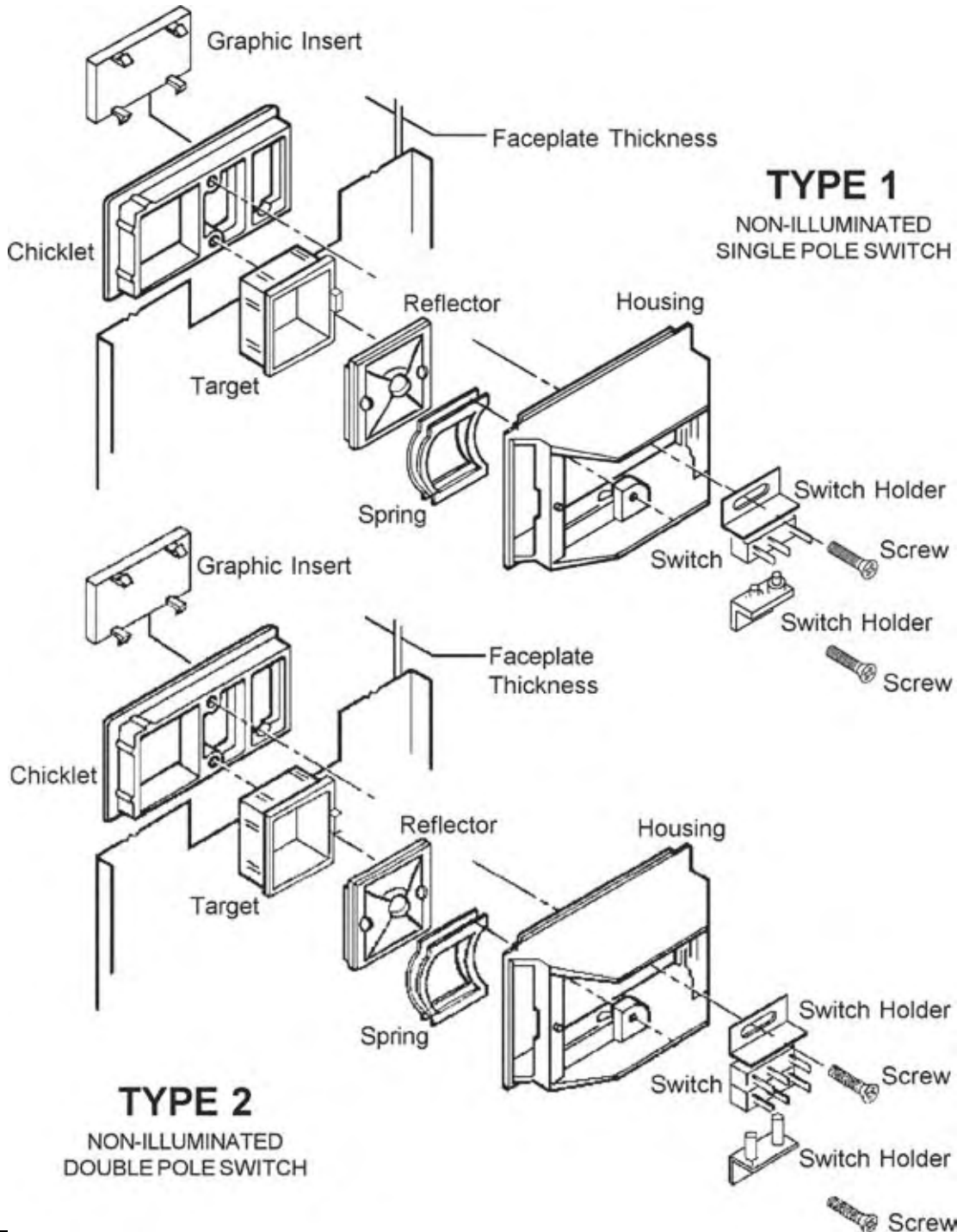
Type 5 and 9 with switch PC board on COP

## Screw Part Number

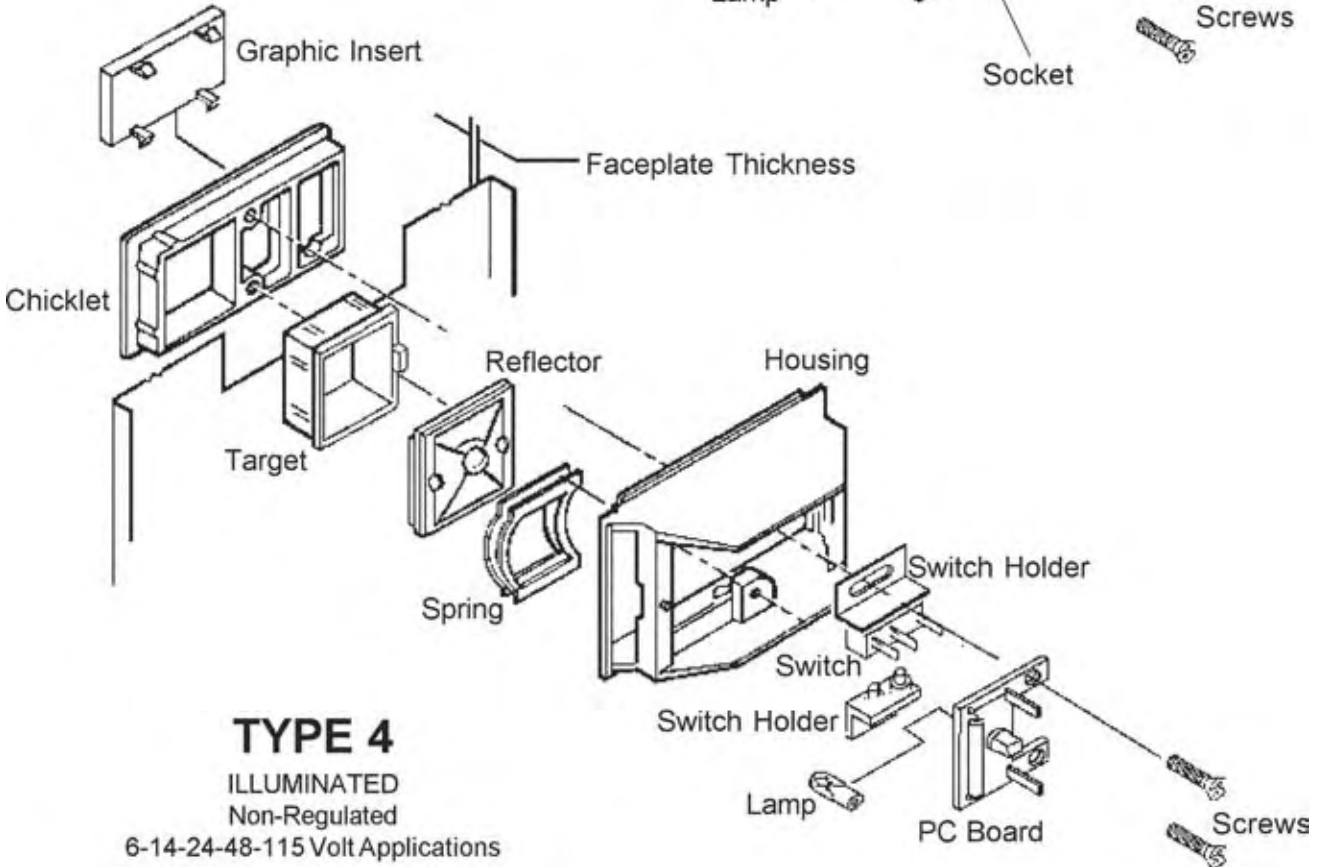
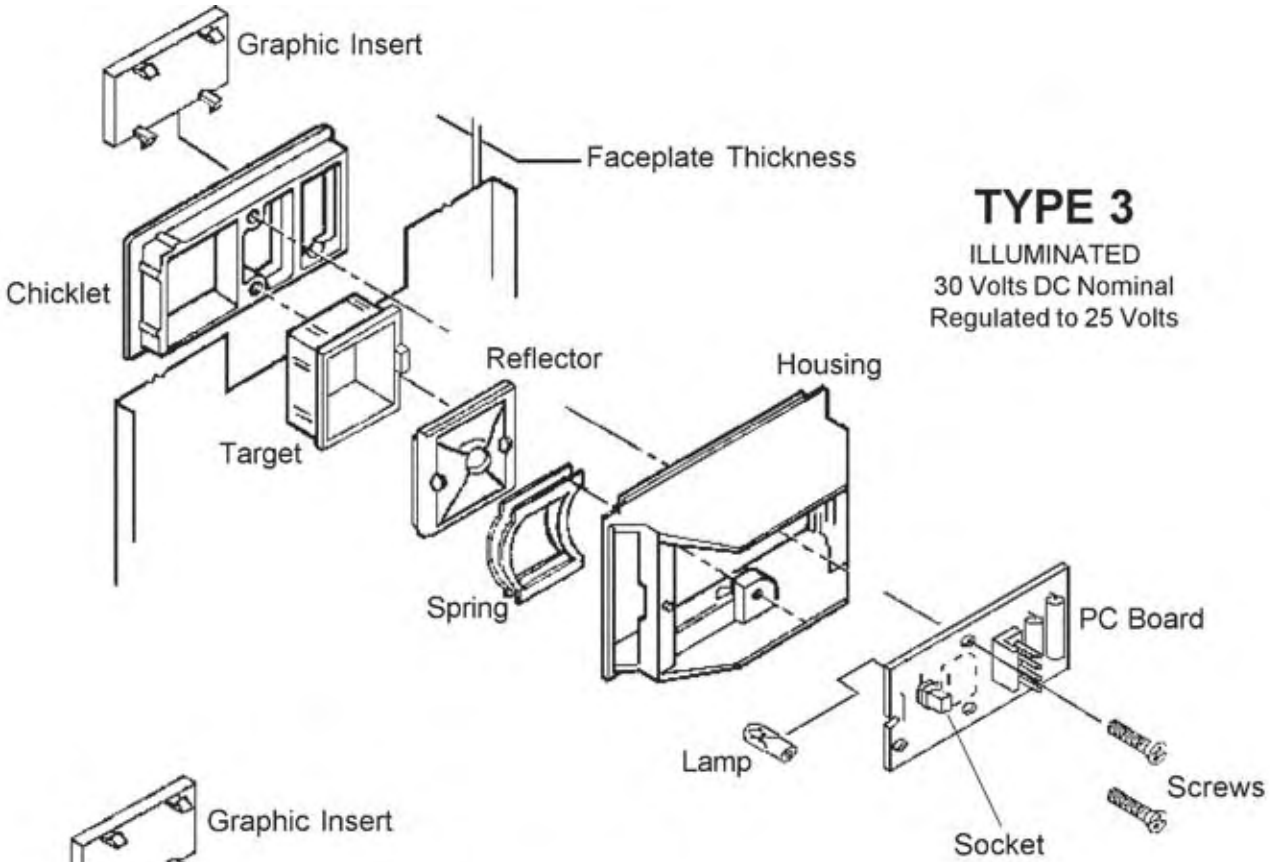
124CY4

124CY5

124CY2



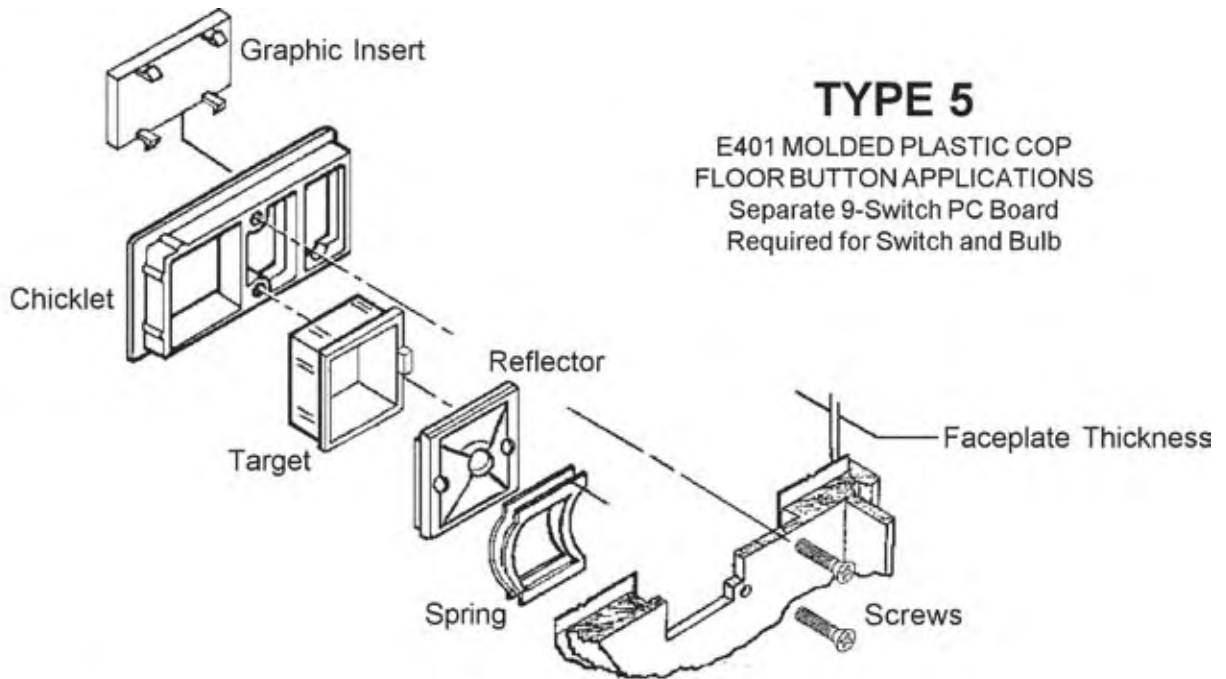
©Otis, February 2011



© Otis, February 2011

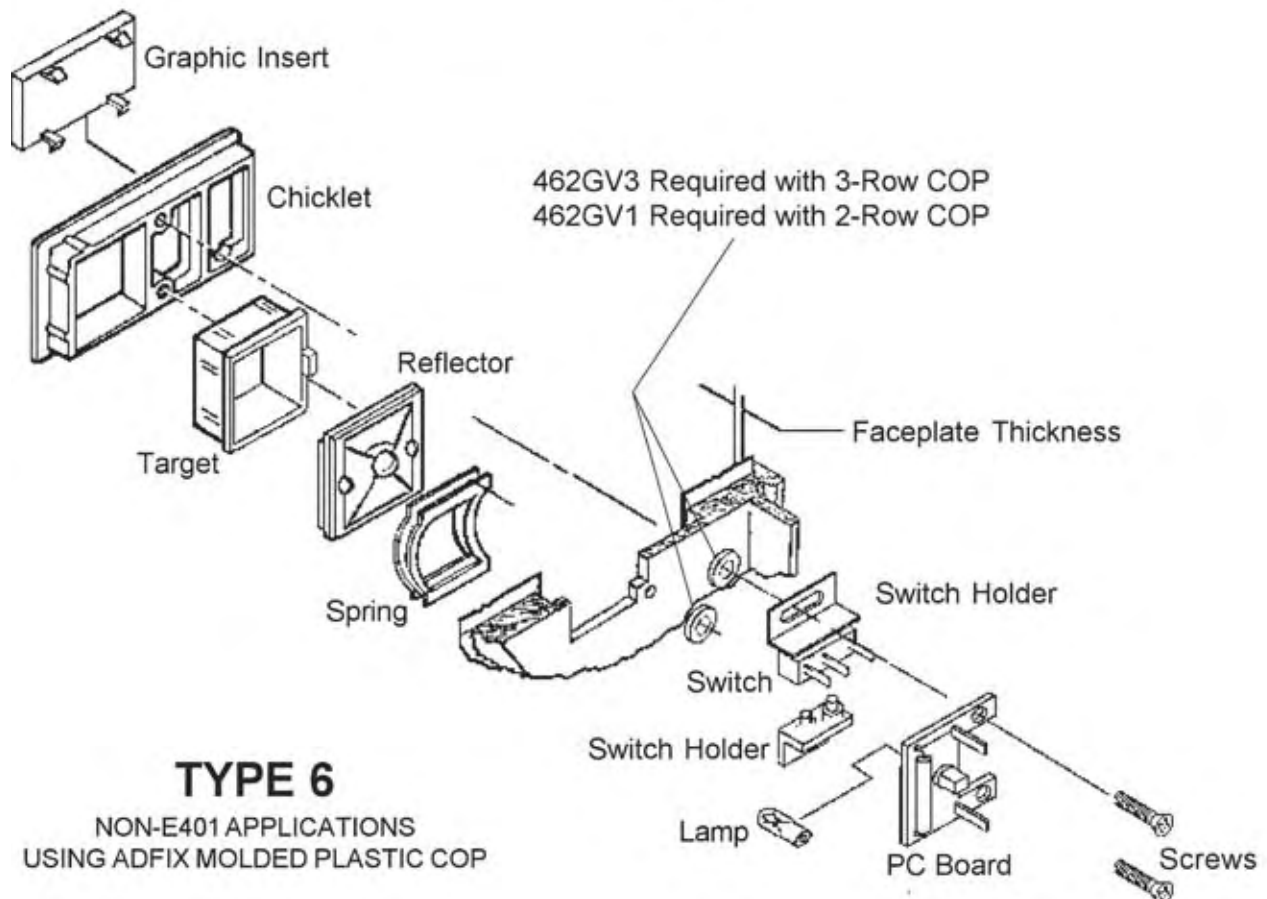


# PUSHBUTTONS



## TYPE 5

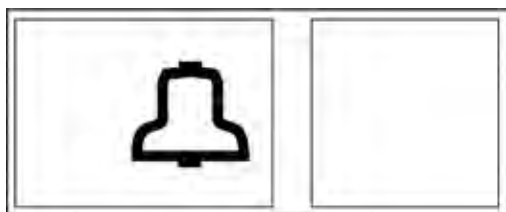
E401 MOLDED PLASTIC COP  
FLOOR BUTTON APPLICATIONS  
Separate 9-Switch PC Board  
Required for Switch and Bulb



## TYPE 6

NON-E401 APPLICATIONS  
USING ADFIX MOLDED PLASTIC COP

462GV3 Required with 3-Row COP  
462GV1 Required with 2-Row COP



## Alarm Button, Raised White Graphic

**Electrical Rating: 5A @250 VAC-DPDT**

Part No.	Assy. Type	Color	Target	Faceplate Thickness	Illum.	App.	Related Parts
7069AF7	2	Yellow	Flush	1.0 mm	No	E401, MRS, MRVF, MRQ, E311/411, LRS, LRS3, LRV (ALL)	Chicklet: B396PB1 Graphic Insert: 250E5 Housing: 396VB1 Lamp: None PC Board: None Reflector: 278EA1 Screw: 124CY4 Socket: None Spring: 94FA1 Switch: (2) 177DA1 Switch Holder: 180DA1 Target: 323DA3
7069AF28	2	Yellow	Flush	1.5 mm	No	ETO Geared	Chicklet: B396PB1 Graphic Insert: 250E5 Housing: 396VB2 Lamp: None PC Board: None Reflector: 278EA1 Screw: 124CY4 Socket: None Spring: 94FA1 Switch: (2) 177DA1 Switch Holder: 180DA1 Target: 323DA3

© Otis, February 2011

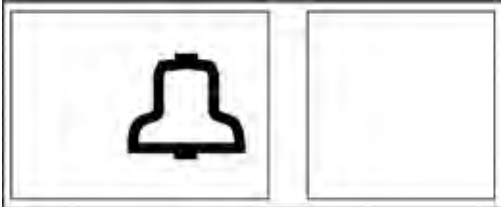
# PUSHBUTTONS

©Otis, February 2011

Part No.	Assy. Type	Color	Target	Faceplate Thickness	Illum.	App.	Related Parts
7069AF131*	2	White	Flush	1.0 mm	No	E401, LRV4, LRV5L (NAO)	Chicklet: B396PB1 Graphic Insert: 250E5 Housing: 396VB1 Lamp: None PC Board: None Reflector: 278EA1 Screw: 124CY4 Socket: None Spring: 94FA1 Switch: (2) 177DA1 Switch Holder: 180DA1 Target: 323DA1
7069AF143*	2	White	Raised	3.2 mm	No	California	Chicklet: B396PB1 Graphic Insert: 250E5 Housing: 396VB3 Lamp: None PC Board: None Reflector: 278EA1 Screw: 124CY4 Socket: None Spring: 94FA1 Switch: (2) 177DA1 Switch Holder: 180DA1 Target: 323DA5

\* Note: Items are non-standard, there will be a lead time and may require price quote





## Electrical Rating: Nominal 12 V

Part No.	Assy. Type	Color	Target	Faceplate Thickness	Illum.	App.	Related Parts
7069AF139	4	White	Flush	1.0 mm	Yes	MRQ, LRS3, LRV5L	Chicklet: B396PB1 Graphic Insert: 250E5 Housing: 396VB1 Lamp: 424R2 PC Board: 8200AL4 Reflector: 278EA1 Screw: 124CY5 Socket: 467AT1 Spring: 94FA1 Switch: (2) 177DA1 Switch Holder: 180DA1 Target: 323DA1
7069AF141*	4	White	Flush	3.2 mm	Yes		Chicklet: B396PB1 Graphic Insert: 250E5 Housing: 396VB3 Lamp: 424R2 PC Board: 8200AL4 Reflector: 278EA1 Screw: 124CY5 Socket: 467AT1 Spring: 94FA1 Switch: (2) 177DA1 Switch Holder: 180DA1 Target: 323DA1
7069AF148*	4	White	Flush	1.0 mm	Yes	Province of Quebec	Chicklet: B396PB1 Graphic Insert: 250E5 Housing: 396VB1 Lamp: 424R2 PC Board: 8200AL4 Reflector: 278EA1 Screw: 124CY5 Socket: 467AT1 Spring: 94FA1 Switch: (2) 177DA1 Switch Holder: 180DA1 Target: 323DA1

© Otis, February 2011

\* Note: Items are non-standard, there will be a lead time and may require price quote

# PUSHBUTTONS

## Electrical Rating: Nominal 6 V

Part No.	Assy. Type	Color	Target	Faceplate Thickness	Illum.	App.	Related Parts
7069AF151*	4	White	Flush	3.2 mm	Yes		Chicklet: B396PB1 Graphic Insert: 250E5 Housing: 396VB3 Lamp: 424R3 PC Board: 8200AL5 Reflector: 278EA1 Screw: 124CY5 Socket: 467AT1 Spring: 94FA1 Switch: (2) 177DA Switch Holder: 180DA1 Target: 323DA1
7069AF152*	4	White	Flush	1.0 mm	No		Chicklet: B396PB1 Graphic Insert: 250E5 Housing: 396VB1 Lamp: 424R3 PC Board: 8200AL5 Reflector: 278EA1 Screw: 124CY5 Socket: 467AT1 Spring: 94FA1 Switch: (2) 177DA1 Switch Holder: 180DA1 Target: 323DA1

\* Note: Items are non-standard, there will be a lead time and may require price quote







## Alarm Button, Raised White Graphic with Black Printed Text on Target

**Electrical Rating: 5A @250 VAC-DPDT**

Part No.	Assy. Type	Color	Target	Faceplate Thickness	Illum.	App.	Related Parts
7069AF100	2	Yellow	Raised	1.0 mm	Text = "Push for Emergency"	E401, MRS, MRVF, MRQ, E311/411, LRS3, LRV4, LRV5, LRV5L California	Chicklet: B396PB1 Graphic Insert: 250E5 Housing: 396VB1 Lamp: None PC Board: None Reflector: 278EA1 Screw: 124CY4 Socket: None Spring: 94FA1 Switch: (2) 177DA1 Switch Holder: 180DA1 Target: 323DA7



# PUSHBUTTONS

## Electrical Rating: Nominal 12 V

Part No.	Assy. Type	Color	Target	Faceplate Thickness	Illum.	App.	Related Parts
7069AF141	4	Yellow	Raised	1.0 mm	Yes	California	Chicklet: B396PB1 Graphic Insert: 250E5 Housing: 396VB1 Lamp: 424R3 PC Board: 8200AL4 Reflector: 278EA1 Screw: 124CY5 Socket: 467AT1 Spring: 94FA1 Switch: (2) 177DA1 Switch Holder: 180DA1 Target: 323DA9
7069AF142	4	White	Raised	3.2 mm	Yes	GEM, LRS, LRS3, LRV5, LRV5L, LHML2S California	Chicklet: B396PB1 Graphic Insert: 250E5 Housing: 396VB1 Lamp: 424R2 PC Board: 8200AL4 Reflector: 278EA1 Screw: 124CY5 Socket: 467AT1 Spring: 94FA1 Switch: (2) 177DA1 Switch Holder: 180DA1 Target: 323DA9

©Otis, February 2011





## Alarm Button, Raised White Graphic With Braille for ADA

Electrical Rating: Nominal 12 V

Part No.	Assy. Type	Color	Target	Faceplate Thickness	Illum.	App.	Related Parts
7069AF209	4	White	Raised	1.0 mm	Yes	MRQ (ADA)	Chicklet: B396PB1 Graphic Insert: AAA250G1-IALARM Housing: 396VB1 Lamp: 424R2 PC Board: 8200AL4 Reflector: 278EA1 Screw: 124CY5 Socket: 467AT1 Spring: 94FA1 Switch: (2) 177DA1 Switch Holder: 180DA1 Target: 323DA9
7069AF210	4	White	Raised	1.0 mm	Yes	GEM, MRQ, E311/411, LRS, LRS3, LRV5, LRV5L, LHML2ST (ADA)	Chicklet: B396PB1 Graphic Insert: AAA250G1-IALARM Housing: 396VB1 Lamp: 424R2 PC Board: 8200AL4 Reflector: 278EA1 Screw: 124CY5 Socket: 467AT1 Spring: 94FA1 Switch: (2) 177DA1 Switch Holder: 180DA1 Target: 323DA9

© Otis, February 2011

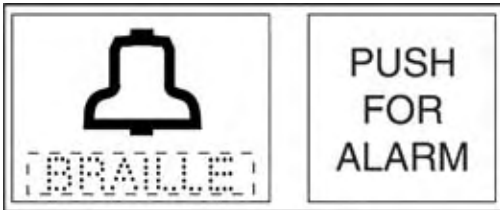


# PUSHBUTTONS

©Otis, February 2011

Part No.	Assy. Type	Color	Target	Faceplate Thickness	Illum.	App.	Related Parts
7069AF221	4	White	Raised	1.0 mm	Yes French Braille No text on target	MRQ, E311/411, GEM	Chicklet: B396PB1 Graphic Insert: AAA250G1-FIALARM Housing: 396VB1 Lamp: 424R2 PC Board: 8200AL4 Reflector: 278EA1 Screw: 124CY5 Socket: 467AT1 Spring: 94FA1 Switch: (2) 177DA1 Switch Holder: 180DA1 Target: 323DA9





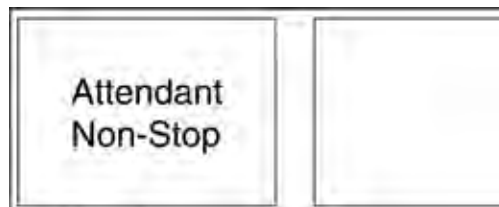
## Electrical Rating: Nominal 6 V

Part No.	Assy. Type	Color	Target	Faceplate Thickness	Illum.	App.	Related Parts
7069AF222	4	White	Raised	3.2 mm	Yes	(ADA)	Chicklet: B396PB1 Graphic Insert: AAA250G1-IALARM Housing: 396VB1 Lamp: 424R2 PC Board: 8200AL5 Reflector: 278EA1 Screw: 124CY5 Socket: 467AT1 Spring: 94FA1 Switch: (2) 177DA1 Switch Holder: 180DA1 Target: 323DA9
7069AF223	4	White	Raised	3.2 mm	Yes	(ADA)	Chicklet: B396PB1 Graphic Insert: AAA250G1-IALARM Housing: 396VB1 Lamp: 424R2 PC Board: 8200AL5 Reflector: 278EA1 Screw: 124CY5 Socket: 467AT1 Spring: 94FA1 Switch: (2) 177DA1 Switch Holder: 180DA1 Target: 323DA9



# PUSHBUTTONS

## Attendant Non-Stop Button White Printed Text

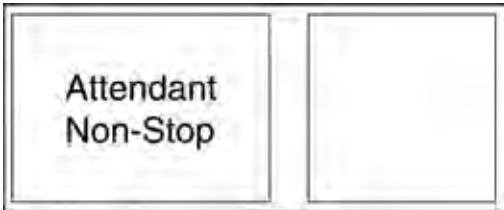


Electrical Rating: 5A @250 VAC-SPDT

Part No.	Assy. Type	Color	Target	Faceplate Thickness	Illum.	App.	Related Parts
7069AF8	1	White	Flush	1.0 mm	No	E401, MRS, MRVF, MRQ, E311/411, LRS3	Chicklet: B396PB1 Graphic Insert: 250E6 Housing: 396VB1 Lamp: None PC Board: None Reflector: 278EA1 Screw: 124CY4 Socket: None Spring: 94FA1 Switch: 177DA1 Switch Holder: 180DA2 Target: 323DA1
7069AF88	1	White	Raised	1.0 mm	No	E401, MRQ, E311/411 (California)	Chicklet: B396PB1 Graphic Insert: 250E6 Housing: 396VB1 Lamp: None PC Board: None Reflector: 278EA1 Screw: 124CY4 Socket: None Spring: 94FA1 Switch: 177DA1 Switch Holder: 180DA2 Target: 323DA5

©Otis, February 2011





**Attendant Non-Stop Button White Printed Text, Electrical Rating: 5A @250 VAC-SPDT (cont.)**

Part No.	Assy. Type	Color	Target	Faceplate Thickness	Illum.	App.	Related Parts
7069AF147	1	White	Raised	3.2 mm	No	California	Chicklet: B396PB1
							Graphic Insert: 250E6
							Housing: 396VB1
							Lamp: 424R1
							PC Board: 8200KA2
							Reflector: 278EA1
							Screw: 124CY4
							Socket: 467AT1
							Spring: 94FA1
							Switch: on PCB
							Switch Holder: None
							Target: 323DA5

© Otis, February 2011



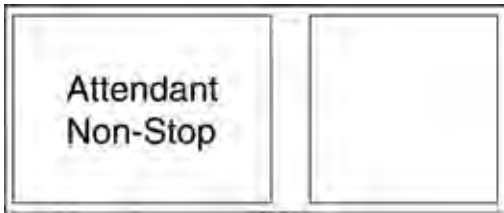
# PUSHBUTTONS

Non - Stop

Part No.	Assy. Type	Color	Target	Faceplate Thickness	Illum.	App.	Related Parts
7069AF29	1	White	Flush	1.5 mm		Geared ETO Applications	Chicklet: B396PB1
							Graphic Insert: 250E30
							Housing: 396VB2
							Lamp: None
							PC Board: None
							Reflector: 278EA1
							Screw: 124CY4
							Socket: None
							Spring: 94FA1
							Switch: 177DA1
							Switch Holder: 180DA2
							Target: 323DA1
7069AF38	1	White	Flush	1.0 mm		E401 ETO Applications	Chicklet: B396PB1
							Graphic Insert: 250E30
							Housing: 396VB1
							Lamp: None
							PC Board: None
							Reflector: 278EA1
							Screw: 124CY4
							Socket: None
							Spring: 94FA1
							Switch: 177DA1
							Switch Holder: 180DA2
							Target: 323DA1

©Otis, February 2011





## Attendant Non-Stop Button White Printed Text (continued)

### Electrical Rating: 30 V

Part No.	Assy. Type	Color	Target	Faceplate Thickness	Illum.	App.	Related Parts
7069AF107	3	White	Raised	1.0 mm	Yes	California	Chicklet: B396PB1 Graphic Insert: 250E6 Housing: 396VB1 Lamp: 424R1 PC Board: 8200KA2 Reflector: 278EA1 Screw: 124CY4 Socket: 467AT1 Spring: 94FA1 Switch: on PCB Switch Holder: None Target: 323DA5
7069AF128	3	White	Flush	1.0 mm	Yes		Chicklet: B396PB1 Graphic Insert: 250E6 Housing: 396VB1 Lamp: 424R1 PC Board: 8200KA2 Reflector: 278EA1 Screw: 124CY4 Socket: 467AT1 Spring: 94FA1 Switch: on PCB Switch Holder: None Target: 323DA1



# PUSHBUTTONS

©Otis, February 2011

Part No.	Assy. Type	Color	Target	Faceplate Thickness	Illum.	App.	Related Parts
7069AF129	3	White	Flush	1.0 mm	Yes Orange LED		Chicklet: B396PB1 Graphic Insert: 250E6 Housing: 396VB1 Lamp: 424R1 PC Board: 8200KA2 Reflector: 278EA1 Screw: 124CY4 Socket: 467AT1 Spring: 94FA1 Switch: on PCB Switch Holder: None Target: 323DA5
7069AF130	3	White	Raised	1.0 mm	Yes Orange LED		Chicklet: B396PB1 Graphic Insert: 250E6 Housing: 396VB1 Lamp: 424R1 PC Board: 8200KA2 Reflector: 278EA1 Screw: 124CY4 Socket: 467AT1 Spring: 94FA1 Switch: on PCB Switch Holder: None Target: 323DA5





## Call Cancel (Reset) Button, White Printed Text

**Electrical Rating: 5A @250 VAC-SPDT**

Part No.	Assy. Type	Color	Target	Faceplate Thickness	App.	Related Parts
7069AF9	1	White	Flush	1.0 mm	E401, MRS, MRVF, MRQ, E311/411, LRS, LRS3, LRV3, LRV4, LRV4L	Chicklet: B396PB1 Graphic Insert: 250E9 Housing: 396VB1 Lamp: None PC Board: None Reflector: 278EA1 Screw: 124CY4 Socket: None Spring: 94FA1 Switch: 177DA1 Switch Holder: 180DA2 Target: 323DA1
7069AF89	1	White	Flush	1.0 mm	E401, MRS, MRVF, MRQ, E311/411, GEM, LRS, LRS3, LRV3, LRV4, LRV5, LRV5L, LHML2ST (California)	Chicklet: B396PB1 Graphic Insert: 250E9 Housing: 396VB1 Lamp: None PC Board: None Reflector: 278EA1 Screw: 124CY4 Socket: None Spring: 94FA1 Switch: 177DA1 Switch Holder: 180DA2 Target: 323DA5
7069AF146	1	White	Raised	3.2 mm	California	Chicklet: B396PB1 Graphic Insert: 250E9 Housing: 396VB3 Lamp: None PC Board: None Reflector: 278EA1 Screw: 124CY4 Socket: None Spring: 94FA1 Switch: 177DA1 Switch Holder: 180DA2 Target: 323DA5

# PUSHBUTTONS

*Reènclencher*

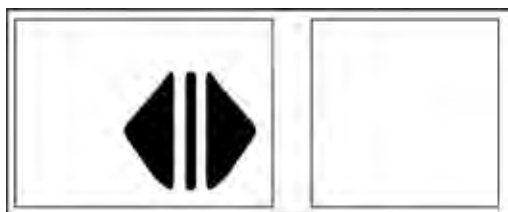
## Call Cancel (Reset) Button White Printed French Text

**Electrical Rating: 5A @250 VAC-SPDT**

Part No.	Assy. Type	Color	Target	Faceplate Thickness	App.	Related Parts
7069AF138	1	White	Flush	1.0 mm	French Canada	Chicklet: B396PB1 Graphic Insert: 250E56 Housing: 396VB1 Lamp: None PC Board: None Reflector: 278EA1 Screw: 124CY4 Socket: None Spring: 94FA1 Switch: 177DA1 Switch Holder: 180DA2 Target: 323DA1

©Otis, February 2011





## Door Open Button Raised White Graphic

**Electrical Rating: 5A @250 VAC-DPDT**

Part No.	Assy. Type	Color	Target	Faceplate Thickness	App.	Related Parts
7069AF3	2	Green	Flush	1.0 mm	E401, LRS	Chicklet: B396PB1 Graphic Insert: 250E1 Housing: 396VB1 Lamp: None PC Board: None Reflector: 278EA1 Screw: 124CY4 Socket: None Spring: 94FA1 Switch: (2) 177DA1 Switch Holder: 180DA1 Target: 323DA2
7069AF18	2	White	Flush	1.0 mm	E401 ETO	Chicklet: B396PB1 Graphic Insert: 250E1 Housing: 396VB1 Lamp: None PC Board: None Reflector: 278EA1 Screw: 124CY4 Socket: None Spring: 94FA1 Switch: (2) 177DA1 Switch Holder: 180DA1 Target: 323DA1

© Otis, February 2011

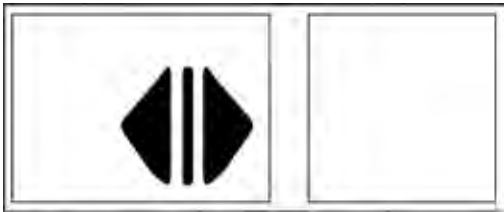


# PUSHBUTTONS

©Otis, February 2011

Part No.	Assy. Type	Color	Target	Faceplate Thickness	App.	Related Parts
7069AF24	1	Green	Flush	1.5 mm	Geared ETO	Chicklet: B396PB1 Graphic Insert: 250E1 Housing: 396VB2 Lamp: None PC Board: None Reflector: 278EA1 Screw: 124CY4 Socket: None Spring: 94FA1 Switch: (2) 177DA1 Switch Holder: 180DA1 Target: 323DA1
7069AF41	1	Green	Flush	1.0 mm	MRS, MRVF, LRV2, LRV3	Chicklet: B396PB1 Graphic Insert: 250E1 Housing: 396VB1 Lamp: None PC Board: None Reflector: 278EA1 Screw: 124CY4 Socket: None Spring: 94FA1 Switch: 177DA1 Switch Holder: 180DA2 Target: 323DA2





**Door Open Button Raised White Graphic, Electrical Rating: 5A @250 VAC-DPDT (continued)**

Part No.	Assy. Type	Color	Target	Faceplate Thickness	App.	Related Parts
7069AF58	6	Green	Flush	1.0 mm	LRS3	Chicklet: B396PB1 Graphic Insert: 250E1 Housing: None Lamp: None PC Board: None Reflector: 278EA1 Screw: 124CY4 Socket: None Spring: 94FA1 Switch: 177DA1 Switch Holder: 180DA2 Target: 323DA2
7069AF102	1	Green	Raised	1.0 mm	California	Chicklet: B396PB1 Graphic Insert: 250E1 Housing: 323DA2 Lamp: None PC Board: None Reflector: 278EA1 Screw: 124CY4 Socket: 396VB1 Spring: 94FA1 Switch: 177DA1 Switch Holder: 180DA2 Target: 323DA2

© Otis, February 2011



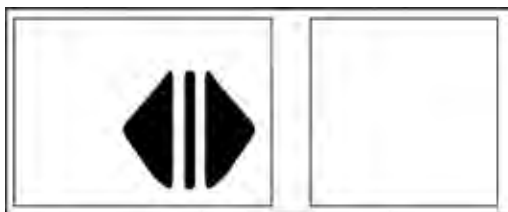
# PUSHBUTTONS

©Otis, February 2011

Part No.	Assy. Type	Color	Target	Faceplate Thickness	App.	Related Parts
7069AF105	6	Green	Raised	1.0 mm	LRS3 California	Chicklet: B396PB1 Graphic Insert: 250E1 Housing: None Lamp: None PC Board: None Reflector: 278EA1 Screw: 124CY4 Socket: None Spring: 94FA1 Switch: 177DA1 Switch Holder: 180DA2 Target: 323DA6
7069AF118	2	Green	Raised	1.0 mm	EVC ETO	Chicklet: B396PB1 Graphic Insert: 250E1 Housing: 396VB1 Lamp: None PC Board: 250E1 Reflector: 278EA1 Screw: 124CY4 Socket: None Spring: 94FA1 Switch: (2) 177DA1 Switch Holder: 180DA1 Target: 323DA2







## Door Open Button Raised White Graphic, Electrical Rating: 5A @250 VAC-DPDT (continued)

Part No.	Assy. Type	Color	Target	Faceplate Thickness	App.	Related Parts
7069AF124	6	Green	Raised	1.0 mm	EVC California	Chicklet: B396PB1 Graphic Insert: 250E1 Housing: 396VB1 Lamp: None PC Board: None Reflector: 278EA1 Screw: 124CY4 Socket: None Spring: 94FA1 Switch: 177DA1 Switch Holder: 180DA2 Target: 323DA6
7069AF133	6	White	Flush	1.0 mm	LRV4, LRS3	Chicklet: B396PB1 Graphic Insert: 250E1 Housing: None Lamp: None PC Board: None Reflector: 278EA1 Screw: 124CY4 Socket: None Spring: 94FA1 Switch: 177DA1 Switch Holder: 180DA2 Target: 323DA1

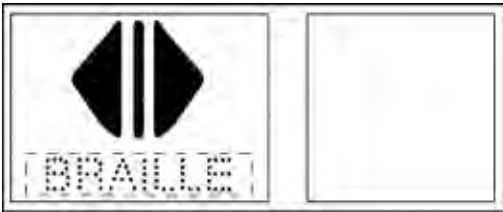
© Otis, February 2011

# PUSHBUTTONS

©Otis, February 2011

Part No.	Assy. Type	Color	Target	Faceplate Thickness	App.	Related Parts
7069AF134	2	White	Flush	1.0 mm	E401	Chicklet: B396PB1 Graphic Insert: 250E1 Housing: 396VB1 Lamp: None PC Board: None Reflector: 278EA1 Screw: 124CY4 Socket: None Spring: 94FA1 Switch: (2) 177DA1 Switch Holder: 180DA1 Target: 323DA1
7069AF144	2	White	Raised	3.2 mm	Applied COP	Chicklet: B396PB1 Graphic Insert: 250E1 Housing: 396VB3 Lamp: None PC Board: None Reflector: 278EA1 Screw: 124CY4 Socket: None Spring: 94FA1 Switch: 177DA1 Switch Holder: 180DA2 Target: 323DA5





## Door Open Button, Raised White Graphic w/Braille

**Electrical Rating: 5A @250 VAC-DPDT**

Part No.	Assy. Type	Color	Target	Faceplate Thickness	Illum.	App.	Related Parts
7069AF201	2	White	Raised	1.0 mm		MRQ	Chicklet: B396PB1 Graphic Insert: AAA250G1-IDO Housing: 396VB1 Lamp: None PC Board: None Reflector: 278EA1 Screw: 124CY4 Socket: None Spring: 94FA1 Switch: (2) 177DA1 Switch Holder: 180DA1 Target: 323DA5
7069AF217	6	White	Raised	1.0 mm	French Braille	MRQ	Chicklet: B396PB1 Graphic Insert: AAA250G1-FIDO Housing: 396VB1 Lamp: None PC Board: None Reflector: 278EA1 Screw: 124CY4 Socket: None Spring: 94FA1 Switch: (2) 177DA1 Switch Holder: 180DA1 Target: 323DA5

© Otis, February 2011



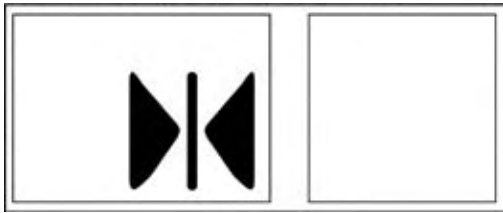
# PUSHBUTTONS

## Electrical Rating: 5A @250 VAC-SPDT

Part No.	Assy. Type	Color	Target	Faceplate Thickness	Illum.	App.	Related Parts
7069AF203	6	White	Raised	1.0 mm		LHM	Chicklet: B396PB1 Graphic Insert: AAA250G1-IDO Housing: None Lamp: None PC Board: None Reflector: 278EA1 Screw: 124CY4 Socket: None Spring: 94FA1 Switch: 177DA1 Switch Holder: 180DA2 Target: 323DA5

©Otis, February 2011





## Door Close Button Raised White Graphic

**Electrical Rating: 5A @250 VAC-SPDT**

Part No.	Assy. Type	Color	Target	Faceplate Thickness	App.	Related Parts
7069AF4	1	Green	Flush	1.0 mm	E401, LRV2, LRV3	Chicklet: B396PB1 Graphic Insert: 250E2 Housing: 396VB1 Lamp: None PC Board: None Reflector: 278EA1 Screw: 124CY4 Socket: None Spring: 94FA1 Switch: 177DA1 Switch Holder: 180DA2 Target: 323DA2
7069AF19	1	White	Flush	1.0 mm	E401 ETO	Chicklet: B396PB1 Graphic Insert: 250E2 Housing: 396VB1 Lamp: None PC Board: None Reflector: 278EA1 Screw: 124CY4 Socket: None Spring: 94FA1 Switch: (2) 177DA1 Switch Holder: 180DA1 Target: 323DA1

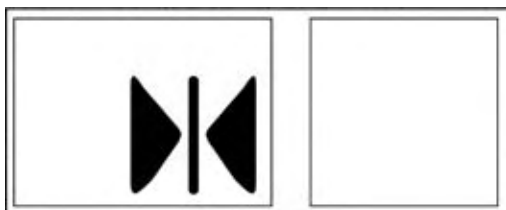
© Otis, February 2011



# PUSHBUTTONS

Part No.	Assy. Type	Color	Target	Faceplate Thickness	App.	Related Parts
7069AF25	1	White	Flush	1.5 mm	Geared ETO	Chicklet: B396PB1 Graphic Insert: 250E2 Housing: 396VB2 Lamp: None PC Board: None Reflector: 278EA1 Screw: 124CY4 Socket: None Spring: 94FA1 Switch: 177DA1 Switch Holder: 180DA2 Target: 323DA1
7069AF57	6	Green	Flush	1.0 mm	LRS	Chicklet: B396PB1 Graphic Insert: 250E2 Housing: None Lamp: None PC Board: None Reflector: 278EA1 Screw: 124CY4 Socket: None Spring: 94FA1 Switch: 177DA1 Switch Holder: 180DA2 Target: 323DA2
7069AF103	6	Green	Raised	1.0 mm		Chicklet: B396PB1 Graphic Insert: 250E2 Housing: 396VB1 Lamp: None PC Board: None Reflector: 278EA1 Screw: 124CY4 Socket: None Spring: 94FA1 Switch: 177DA1 Switch Holder: 180DA2 Target: 323DA6

©Otis, February 2011



**Door Close Button Raised White Graphic**  
**Electrical Rating: 5A @250 VAC-SPDT (continued)**

Part No.	Assy. Type	Color	Target	Faceplate Thickness	App.	Related Parts
7069AF106	6	Green	Raised	1.0 mm		Chicklet: B396PB1 Graphic Insert: 250E2 Housing: None Lamp: None PC Board: None Reflector: 278EA1 Screw: 124CY4 Socket: None Spring: 94FA1 Switch: 177DA1 Switch Holder: 180DA2 Target: 323DA6
7069AF119	1	Green	Flush	1.0 mm	EVC ETO	Chicklet: B396PB1 Graphic Insert: 250E2 Housing: 396VB1 Lamp: None PC Board: None Reflector: 278EA1 Screw: 124CY4 Socket: None Spring: 94FA1 Switch: 177DA1 Switch Holder: 180DA2 Target: 323DA2

© Otis, February 2011

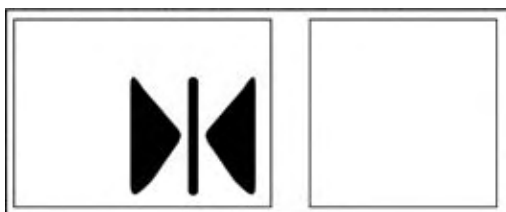


# PUSHBUTTONS

Part No.	Assy. Type	Color	Target	Faceplate Thickness	App.	Related Parts
7069AF125	1	Green	Raised	1.0 mm	EVC California	Chicklet: B396PB1 Graphic Insert: 250E2 Housing: 396VB1 Lamp: None PC Board: None Reflector: 278EA1 Screw: 124CY4 Socket: None Spring: 94FA1 Switch: 177DA1 Switch Holder: 180DA2 Target: 323DA6
7069AF132	6	White	Flush	1.0 mm	LRV4	Chicklet: B396PB1 Graphic Insert: 250E2 Housing: None Lamp: None PC Board: None Reflector: 278EA1 Screw: 124CY4 Socket: None Spring: 94FA1 Switch: 177DA1 Switch Holder: 180DA2 Target: 323DA1
7069AF135	1	White	Flush	1.0 mm	EVC	Chicklet: B396PB1 Graphic Insert: 250E2 Housing: 396VB1 Lamp: None PC Board: None Reflector: 278EA1 Screw: 124CY4 Socket: None Spring: 94FA1 Switch: 177DA1 Switch Holder: 180DA1 Target: 323DA1

©Otis, February 2011





**Door Close Button Raised White Graphic**  
**Electrical Rating: 5A @250 VAC-SPDT (continued)**

Part No.	Assy. Type	Color	Target	Faceplate Thickness	App.	Related Parts
7069AF144	1	White	Raised	3.2 mm	Applied COP	Chicklet: B396PB1 Graphic Insert: 250E2 Housing: 396VB3 Lamp: None PC Board: None Reflector: 278EA1 Screw: 124CY4 Socket: None Spring: 94FA1 Switch: 177DA1 Switch Holder: 180DA2 Target: 323DA5

**Electrical Rating: 5A @250 VAC-DPDT**

Part No.	Assy. Type	Color	Target	Faceplate Thickness	App.	Related Parts
7069AF42	2	Green	Flush	1.0 mm	MRS, MRVF, LRS	Chicklet: B396PB1 Graphic Insert: 250E2 Housing: 396VB1 Lamp: None PC Board: None Reflector: 278EA1 Screw: 124CY4 Socket: None Spring: 94FA1 Switch: (2) 177DA1 Switch Holder: 180DA1 Target: 323DA2

© Otis, February 2011

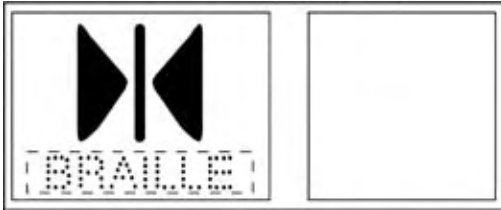


# PUSHBUTTONS

©Otis, February 2011

Part No.	Assy. Type	Color	Target	Faceplate Thickness	App.	Related Parts
7069AF101	2	Green	Raised	1.0 mm	California	Chicklet: B396PB1 Graphic Insert: 250E2 Housing: 396VB1 Lamp: None PC Board: None Reflector: 278EA1 Screw: 124CY4 Socket: None Spring: 94FA1 Switch: (2) 177DA1 Switch Holder: 180DA1 Target: 323DA6
7069AF104	2	Green	Raised	1.0 mm		Chicklet: B396PB1 Graphic Insert: 250E2 Housing: 396VB1 Lamp: None PC Board: None Reflector: 278EA1 Screw: 124CY5 Socket: None Spring: 94FA1 Switch: (2) 177DA1 Switch Holder: 180DA1 Target: 323DA6





## Door Close Button, Raised White Graphic with Braille

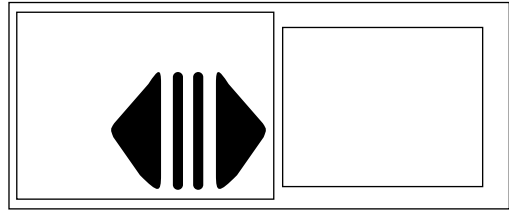
Electrical Rating: 5A @250 VAC-SPDT

Part No.	Assy. Type	Color	Target	Faceplate Thickness	Illum.	App.	Related Parts
7069AF202	1	White	Raised	1.0 mm		MRQ	Chicklet: B396PB1 Graphic Insert: AAA250G1-IDC Housing: 396VB1 Lamp: None PC Board: None Reflector: 278EA1 Screw: 124CY4 Socket: None Spring: 94FA1 Switch: 177DA1 Switch Holder: 180DA2 Target: 323DA5
7069AF204	6	White	Raised	1.0 mm		LHM	Chicklet: B396PB1 Graphic Insert: AAA250G1-IDC Housing: None Lamp: None PC Board: None Reflector: 278EA1 Screw: 124CY4 Socket: None Spring: 94FA1 Switch: 177DA1 Switch Holder: 180DA2 Target: 323DA5
7069AF218	1	White	Raised	1.0 mm	French Braille	MRQ	Chicklet: B396PB1 Graphic Insert: AAA250G1-FIDC Housing: 396VB1 Lamp: 323DA5 PC Board: None Reflector: 278EA1 Screw: 124CY4 Socket: None Spring: 94FA1 Switch: 177DA1 Switch Holder: 180DA2 Target: 323DA5

© Otis, February 2011

# PUSHBUTTONS

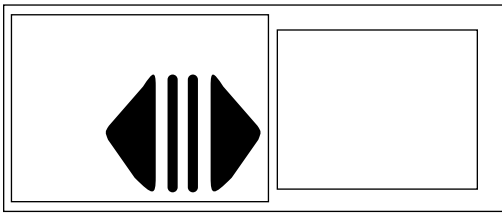
## Rear Door Open Button Raised White Graphic



**Electrical Rating: 5A @250 VAC-SPDT**

Part No.	Assy. Type	Color	Target	Faceplate Thickness	App.	Related Parts
7069AF5	2	Green	Flush	1.0 mm	E401, MRQ	Chicklet: B396PB1 Graphic Insert: 250E3 Housing: 396VB1 Lamp: None PC Board: None Reflector: 278EA1 Screw: 124CY4 Socket: None Spring: 94FA1 Switch: (2) 177DA1 Switch Holder: 180DA1 Target: 323DA2
7069AF43	1	Green	Flush	1.0 mm	MRS, MRVF	Chicklet: B396PB1 Graphic Insert: 250E3 Housing: 396VB1 Lamp: None PC Board: None Reflector: 278EA1 Screw: 124CY4 Socket: None Spring: 94FA1 Switch: 177DA1 Switch Holder: 180DA2 Target: 323DA2

©Otis, February 2011



**Rear Door Open Button Raised White Graphic, Electrical Rating: 5A @250 VAC-SPDT  
(continued)**

Part No.	Assy. Type	Color	Target	Faceplate Thickness	App.	Related Parts
7069AF47	6	Green	Flush	1.0 mm	LRS	Chicklet: B396PB1 Graphic Insert: 250E3 Housing: None Lamp: None PC Board: None Reflector: 278EA1 Screw: 124CY4 Socket: None Spring: 94FA1 Switch: 177DA1 Switch Holder: 180DA2 Target: 323DA2
7069AF120	2	Green	Flush	1.0 mm	EVC	Chicklet: B396PB1 Graphic Insert: 250E3 Housing: 396VB1 Lamp: None PC Board: None Reflector: 278EA1 Screw: 124CY4 Socket: None Spring: 94FA1 Switch: (2) 177DA1 Switch Holder: 180DA1 Target: 323DA2

© Otis, February 2011

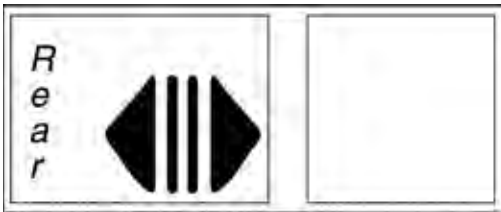
# PUSHBUTTONS

**Electrical Rating: 5A @250 VAC-DPDT**

Part No.	Assy. Type	Color	Target	Faceplate Thickness	App.	Related Parts
7069AF20	2	White	Flush	1.0 mm	E401 ETO	Chicklet: B396PB1 Graphic Insert: 250E3 Housing: 396VB1 Lamp: None PC Board: None Reflector: 278EA1 Screw: 124CY4 Socket: None Spring: 94FA1 Switch: (2) 177DA1 Switch Holder: 180DA1 Target: 323DA1
7069AF26	2	White	Flush	1.5 mm	Geared ETO	Chicklet: B396PB1 Graphic Insert: 250E3 Housing: 396VB2 Lamp: None PC Board: None Reflector: 278EA1 Screw: 124CY4 Socket: None Spring: 94FA1 Switch: (2) 177DA1 Switch Holder: 180DA1 Target: 323DA1
7069AF150	6	White	Raised	1.0 mm	MRQ Province of Quebec	Chicklet: B396PB1 Graphic Insert: 250E3 Housing: None Lamp: None PC Board: None Reflector: 278EA1 Screw: 124CY4 Socket: None Spring: 94FA1 Switch: 177DA1 Switch Holder: 180DA2 Target: 323DA5

©Otis, February 2011





## Rear Door Open Button, Raised White Graphic w/White Printed Text

Electrical Rating: 5A @250 VAC-SPDT

Part No.	Assy. Type	Color	Target	Faceplate Thickness	App.	Related Parts
7069AF69	1	Green	Flush	1.0 mm	MRS	Chicklet: B396PB1 Graphic Insert: 250E38 Housing: 396VB1 Lamp: None PC Board: None Reflector: 278EA1 Screw: 124CY4 Socket: None Spring: 94FA1 Switch: 177DA1 Switch Holder: 180DA2 Target: 323DA2
7069AF93	1	Green	Raised	1.0 mm	MRS California	Chicklet: B396PB1 Graphic Insert: 250E38 Housing: 396VB1 Lamp: None PC Board: None Reflector: 278EA1 Screw: 124CY4 Socket: None Spring: 94FA1 Switch: 177DA1 Switch Holder: 180DA2 Target: 323DA6



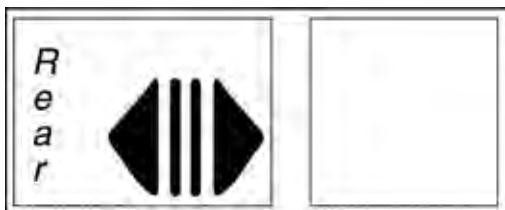
# PUSHBUTTONS

## Electrical Rating: 5A @250 VAC-DPDT

Part No.	Assy. Type	Color	Target	Faceplate Thickness	App.	Related Parts
7069AF67	2	Green	Flush	1.0 mm	MRQ	Chicklet: B396PB1 Graphic Insert: 250E38 Housing: 396VB1 Lamp: None PC Board: None Reflector: 278EA1 Screw: 124CY4 Socket: None Spring: 94FA1 Switch: (2) 177DA1 Switch Holder: 180DA1 Target: 323DA2
7069AF71	6	Green	Flush	1.0 mm	LRS	Chicklet: B396PB1 Graphic Insert: 250E38 Housing: None Lamp: None PC Board: None Reflector: 278EA1 Screw: 124CY4 Socket: None Spring: 94FA1 Switch: (2) 177DA1 Switch Holder: 180DA1 Target: 323DA2
7069AF90	2	Green	Raised	1.0 mm	E401, MRS California	Chicklet: B396PB1 Graphic Insert: 250E38 Housing: 396VB1 Lamp: None PC Board: None Reflector: 278EA1 Screw: 124CY4 Socket: None Spring: 94FA1 Switch: (2) 177DA1 Switch Holder: 180DA1 Target: 323DA6

©Otis, February 2011





**Rear Door Open Button, Raised White Graphic w/White Printed Text,  
Electrical Rating: 5A @250 VAC-DPDT (continued)**

Part No.	Assy. Type	Color	Target	Faceplate Thickness	App.	Related Parts
7069AF97	6	Green	Raised	1.0 mm	LRS California	Chicklet: B396PB1 Graphic Insert: 250E38 Housing: None Lamp: None PC Board: None Reflector: 278EA1 Screw: 124CY4 Socket: None Spring: 94FA1 Switch: (2) 177DA1 Switch Holder: 180DA1 Target: 323DA2
7069AF122	2	Green	Flush	1.0 mm	EVC ETO	Chicklet: B396PB1 Graphic Insert: 250E38 Housing: 396VB1 Lamp: None PC Board: None Reflector: 278EA1 Screw: 124CY4 Socket: None Spring: 94FA1 Switch: (2) 177DA1 Switch Holder: 180DA1 Target: 323DA2

© Otis, February 2011

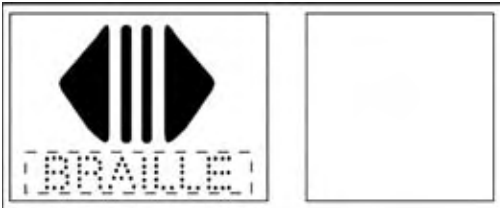


# PUSHBUTTONS

Part No.	Assy. Type	Color	Target	Faceplate Thickness	App.	Related Parts
7069AF126	2	Green	Raised	1.0 mm	EVC California	Chicklet: B396PB1 Graphic Insert: 250E38 Housing: 396VB1 Lamp: None PC Board: None Reflector: 278EA1 Screw: 124CY4 Socket: None Spring: 94FA1 Switch: (2) 177DA1 Switch Holder: 180DA1 Target: 323DA6
7069AF136	2	White	Flush	1.0 mm	E401, MRS	Chicklet: B396PB1 Graphic Insert: 250E38 Housing: 396VB1 Lamp: None PC Board: None Reflector: 278EA1 Screw: 124CY4 Socket: None Spring: 94FA1 Switch: (2) 177DA1 Switch Holder: 180DA1 Target: 323DA1

©Otis, February 2011





## Rear Door Open Button, Raised White Graphic w/Braille

Electrical Rating: 5A @250 VAC-DPDT

Part No.	Assy. Type	Color	Target	Faceplate Thickness	App.	Related Parts
7069AF219	2	White	Raised	1.0 mm	LHM (French Braille)	Chicklet: B396PB1 Graphic Insert: AAA250G1-FRDO Housing: 396VB1 Lamp: None PC Board: None Reflector: 278EA1 Screw: 124CY4 Socket: None Spring: 94FA1 Switch: (2) 177DA1 Switch Holder: 180DA1 Target: 323DA5
7069AF205	2	White	Raised	1.0 mm	LHM	Chicklet: B396PB1 Graphic Insert: AAA250G1-REARRDO Housing: 396VB1 Lamp: None PC Board: None Reflector: 278EA1 Screw: 124CY4 Socket: None Spring: 94FA1 Switch: (2) 177DA1 Switch Holder: 180DA1 Target: 323DA5

© Otis, February 2011

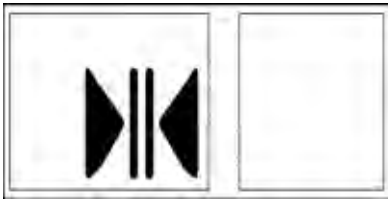


# PUSHBUTTONS

Part No.	Assy. Type	Color	Target	Faceplate Thickness	App.	Related Parts
7069AF207	6	White	Raised	1.0 mm	LHM	Chicklet: B396PB1 Graphic Insert: AAA250G1-REARRDO Housing: None Lamp: None PC Board: None Reflector: 278EA1 Screw: 124CY4 Socket: None Spring: 94FA1 Switch: (2) 177DA1 Switch Holder: 180DA1 Target: 323DA5

©Otis, February 2011





## Rear Door Close Button Raised White Graphic

**Electrical Rating: 5A @250 VAC-SPDT**

Part No.	Assy. Type	Color	Target	Faceplate Thickness	App.	Related Parts
7069AF6	1	Green	Flush	1.0 mm	E401, MRQ	Chicklet: B396PB1 Graphic Insert: 250E4 Housing: 396VB1 Lamp: None PC Board: None Reflector: 278EA1 Screw: 124CY4 Socket: None Spring: 94FA1 Switch: 177DA1 Switch Holder: 180DA2 Target: 323DA2
7069AF27	1	White	Flush	1.5 mm	Geared ETO	Chicklet: B396PB1 Graphic Insert: 250E4 Housing: 396VB2 Lamp: None PC Board: None Reflector: 278EA1 Screw: 124CY4 Socket: None Spring: 94FA1 Switch: 177DA1 Switch Holder: 180DA2 Target: 323DA1
7069AF121	1	Green	Flush	1.0 mm	EVC	Chicklet: B396PB1 Graphic Insert: 250E4 Housing: 396VB1 Lamp: None PC Board: None Reflector: 278EA1 Screw: 124CY4 Socket: None Spring: 94FA1 Switch: (2) 177DA1 Switch Holder: 180DA2 Target: 323DA2

© Otis, February 2011

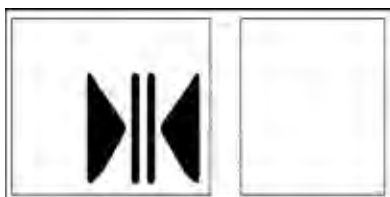
# PUSHBUTTONS

**Electrical Rating: 5A @250 VAC-DPDT**

Part No.	Assy. Type	Color	Target	Faceplate Thickness	App.	Related Parts
7069AF21	1	White	Flush	1.0 mm	E401 ETO	Chicklet: B396PB1 Graphic Insert: 250E4 Housing: 396VB1 Lamp: None PC Board: None Reflector: 278EA1 Screw: 124CY4 Socket: None Spring: 94FA1 Switch: (2) 177DA1 Switch Holder: 180DA1 Target: 323DA1
7069AF44	2	Green	Flush	1.0 mm	MRS, MRVF	Chicklet: B396PB1 Graphic Insert: 250E4 Housing: 396VB1 Lamp: None PC Board: None Reflector: 278EA1 Screw: 124CY4 Socket: None Spring: 94FA1 Switch: (2) 177DA1 Switch Holder: 180DA1 Target: 323DA2

©Otis, February 2011





## Rear Door Close Button Raised White Graphic, Electrical Rating 5A @250 VAC-DPDT (continued)

Part No.	Assy. Type	Color	Target	Faceplate Thickness	App.	Related Parts
7069AF48	6	Green	Flush	1.0 mm	LRS	Chicklet: B396PB1 Graphic Insert: 250E4 Housing: None Lamp: None PC Board: None Reflector: 278EA1 Screw: 124CY4 Socket: None Spring: 94FA1 Switch: (2) 177DA1 Switch Holder: 180DA1 Target: 323DA2
7069AF149	6	White	Raised	1.0 mm	MRQ Province of Quebec	Chicklet: B396PB1 Graphic Insert: 250E4 Housing: None Lamp: None PC Board: None Reflector: 278EA1 Screw: 124CY4 Socket: None Spring: 94FA1 Switch: 177DA1 Switch Holder: 180DA2 Target: 323DA5

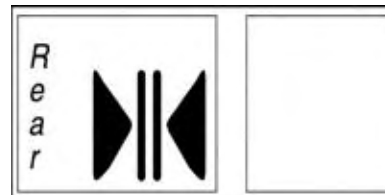
© Otis, February 2011



# PUSHBUTTONS

## Rear Door Close Button, Raised White Graphic w/White Printed Text

Electrical Rating: 5A @250 VAC-SPDT

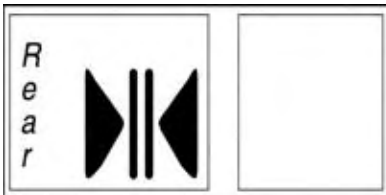


Part No.	Assy. Type	Color	Target	Faceplate Thickness	App.	Related Parts
7069AF68	1	Green	Flush	1.0 mm	E401, MRQ	Chicklet: B396PB1 Graphic Insert: 250E39 Housing: 396VB1 Lamp: None PC Board: None Reflector: 278EA1 Screw: 124CY4 Socket: None Spring: 94FA1 Switch: 177DA1 Switch Holder: 180DA2 Target: 323DA2
7069AF91	1	Green	Raised	1.0 mm	E401 California	Chicklet: B396PB1 Graphic Insert: 250E39 Housing: 396VB1 Lamp: None PC Board: None Reflector: 278EA1 Screw: 124CY4 Socket: None Spring: 94FA1 Switch: 177DA1 Switch Holder: 180DA2 Target: 323DA6

©Otis, February 2011







**Rear Door Close Button, Raised White Graphic w/White Printed Text,  
Electrical Rating: 5A @250 VAC-SPDT (continued)**

Part No.	Assy. Type	Color	Target	Faceplate Thickness	App.	Related Parts
7069AF123	1	Green	Flush	1.0 mm	EVC ETO	Chicklet: B396PB1 Graphic Insert: 250E39 Housing: 396VB1 Lamp: None PC Board: None Reflector: 278EA1 Screw: 124CY4 Socket: None Spring: 94FA1 Switch: 177DA1 Switch Holder: 180DA2 Target: 323DA2
7069AF127	1	Green	Raised	1.0 mm	EVC California	Chicklet: B396PB1 Graphic Insert: 250E39 Housing: 396VB1 Lamp: None PC Board: None Reflector: 278EA1 Screw: 124CY4 Socket: None Spring: 94FA1 Switch: 177DA1 Switch Holder: 180DA2 Target: 323DA6
7069AF137	1	White	Flush	1.0 mm	EVC	Chicklet: B396PB1 Graphic Insert: 250E39 Housing: 396VB1 Lamp: None PC Board: None Reflector: 278EA1 Screw: 124CY4 Socket: None Spring: 94FA1 Switch: 177DA1 Switch Holder: 180DA2 Target: 323DA1

© Otis, February 2011

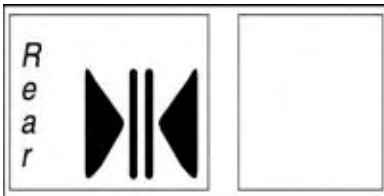


# PUSHBUTTONS

## Electrical Rating: 5A @250 VAC-DPDT

Part No.	Assy. Type	Color	Target	Faceplate Thickness	App.	Related Parts
7069AF70	2	Green	Flush	1.0 mm	MRS	Chicklet: B396PB1 Graphic Insert: 250E39 Housing: 396VB1 Lamp: None PC Board: None Reflector: 278EA1 Screw: 124CY4 Socket: None Spring: 94FA1 Switch: (2) 177DA1 Switch Holder: 180DA1 Target: 323DA2
7069AF72	6	Green	Flush	1.0 mm	LRS	Chicklet: B396PB1 Graphic Insert: 250E39 Housing: None Lamp: None PC Board: None Reflector: 278EA1 Screw: 124CY4 Socket: None Spring: 94FA1 Switch: (2) 177DA1 Switch Holder: 180DA1 Target: 323DA2
7069AF94	2	Green	Raised	1.0 mm	MRS California	Chicklet: B396PB1 Graphic Insert: 250E39 Housing: 396VB1 Lamp: None PC Board: None Reflector: 278EA1 Screw: 124CY4 Socket: None Spring: 94FA1 Switch: (2) 177DA1 Switch Holder: 180DA1 Target: 323DA6

©Otis, February 2011

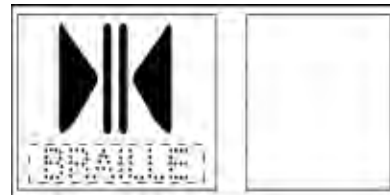


**Rear Door Close Button, Raised White Graphic w/White Printed Text,  
Electrical Rating: 5A @250 VAC-SPDT (continued)**

Part No.	Assy. Type	Color	Target	Faceplate Thickness	App.	Related Parts
7069AF98	6	Green	Raised	1.0 mm	LRS California	Chicklet: B396PB1 Graphic Insert: 250E39 Housing: None Lamp: None PC Board: None Reflector: 278EA1 Screw: 124CY4 Socket: None Spring: 94FA1 Switch: (2) 177DA1 Switch Holder: 180DA1 Target: 323DA6

# PUSHBUTTONS

## Rear Door Close Button, Raised White Graphic w/Braille

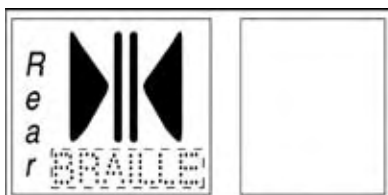


**Electrical Rating: 5A @250 VAC-SPDT**

Part No.	Assy. Type	Color	Target	Faceplate Thickness	App.	Related Parts
7069AF220	1	White	Raised	1.0 mm	LHM (French)	Chicklet: B396PB1 Graphic Insert: AAA250G1-FRDC Housing: 396VB1 Lamp: None PC Board: None Reflector: 278EA1 Screw: 124CY4 Socket: None Spring: 94FA1 Switch: 177DA1 Switch Holder: 180DA2 Target: 323DA5

©Otis, February 2011





## Rear Door Close Button, Raised White Graphic w/Braille & Printed Text

**Electrical Rating: 5A @250 VAC-SPDT**

Part No.	Assy. Type	Color	Target	Faceplate Thickness	App.	Related Parts
7069AF206	1	White	Raised	1.0 mm	LHM	Chicklet: B396PB1 Graphic Insert: AAA250G1-REARRDC Housing: 396VB1 Lamp: None PC Board: None Reflector: 278EA1 Screw: 124CY4 Socket: None Spring: 94FA1 Switch: 177DA1 Switch Holder: 180DA2 Target: 323DA5

**Electrical Rating: 5A @250 VAC-DPDT**

Part No.	Assy. Type	Color	Target	Faceplate Thickness	App.	Related Parts
7069AF208	6	White	Raised	1.0 mm	LHM	Chicklet: B396PB1 Graphic Insert: AAA250G1-REARRDC Housing: None Lamp: None PC Board: None Reflector: 278EA1 Screw: 124CY4 Socket: None Spring: 94FA1 Switch: 177DA1 Switch Holder: 180DA1 Target: 323DA5

© Otis, February 2011



# PUSHBUTTONS

## Floor Button, Single Digit, Raised White Graphic, Illuminated Target

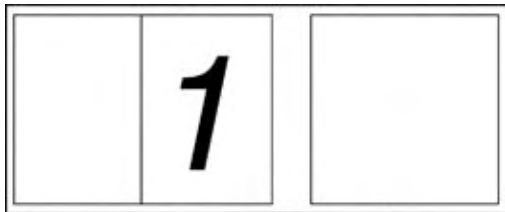


Electrical Rating: N/A

Part No.	Assy. Type	Color	Target	Faceplate Thickness	App.	Related Parts
7069AF1	5	White	Flush	1.0 mm	E401 Interface for COP, 9-Switch PCB	Chicklet: B396PB1 Graphic Insert: 250D* Housing: None Lamp: None PC Board: None Reflector: 278EA1 Screw: 124CY2 Socket: None Spring: 94FA1 Switch: None Switch Holder: None Target: 323DA1
7069AF87	5	White	Raised	1.0 mm	E401 Interface for COP, 9-Switch PCB	Chicklet: B396PB1 Graphic Insert: 250D* Housing: None Lamp: None PC Board: None Reflector: 278EA1 Screw: 124CY2 Socket: None Spring: 94FA1 Switch: None Switch Holder: None Target: 323DA5

\*Specify insert—refer to page 19.





## Floor Button, Single Digit, Raised White Graphic, Illuminated Target (continued)

### Electrical Rating: 24 VDC

Part No.	Assy. Type	Color	Target	Faceplate Thickness	Illumination	App.	Related Parts
7069AF16	2	White	Flush	1.0 mm	Incandescent	Geared ETO	Chicklet: B396PB1 Graphic Insert: 250D* Housing: None Lamp: None PC Board: None Reflector: 278EA1 Screw: 124CY2 Socket: None Spring: 94FA1 Switch: None Switch Holder: None Target: 323DA1
7069AF22	4	White	Flush	1.5 mm	Incandescent	Geared ETO	Chicklet: B396PB1 Graphic Insert: 250D* Housing: None Lamp: None PC Board: None Reflector: 278EA1 Screw: 124CY2 Socket: None Spring: 94FA1 Switch: None Switch Holder: None Target: 323DA1

\*Specify insert—refer to page 19.



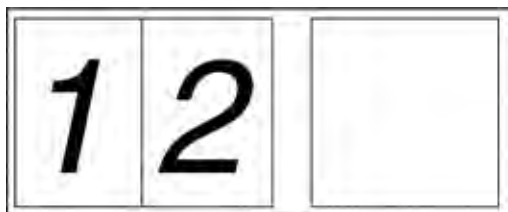
# PUSHBUTTONS

## Electrical Rating: 30 VDC

Part No.	Assy. Type	Color	Target	Faceplate Thickness	Illumination	App.	Related Parts
7069AF53	6	White	Flush	1.0 mm	Incandescent	LRV3	Chicklet: B396PB1 Graphic Insert: 250D* Housing: None Lamp: 424R1 PC Board: 8200KA1 Reflector: 278EA1 Screw: 124CY4 Socket: 467AT1 Spring: 94FA1 Switch: on PCB Switch Holder: None Target: 323DA1
7069AF59	6	White	Flush	1.1 mm	Incandescent	LRS3, LRV3	Chicklet: B396PB1 Graphic Insert: 250D* Housing: None Lamp: 424R1 PC Board: 8200KA2 Reflector: 278EA1 Screw: 124CY4 Socket: 467AT1 Spring: 94FA1 Switch: on PCB Switch Holder: None Target: 323DA1
7069AF75	6	White	Flush	1.0 mm	Orange LED	LRS, LRS3, LRV, LRV4, LRV5L	Chicklet: B396PB1 Graphic Insert: 250D* Housing: None Lamp: AAA629BD2 PC Board: 8200KA4 Reflector: 278EA1 Screw: 124CY4 Socket: 467AT1 Spring: 94FA1 Switch: on PCB Switch Holder: None Target: 323DA1

\*Specify insert—refer to page 19.





**Floor Button, Single Digit, Raised White Graphic, Illuminated Target**  
**Electrical Rating: 30 VDC (continued)**

Part No.	Assy. Type	Color	Target	Faceplate Thickness	Illumination	App.	Related Parts
7069AF95	6	White	Raised	1.0 mm	Orange LED	LRS3, LRV5, LRV4	Chicklet: B396PB1 Graphic Insert: 250D* Housing: None Lamp: AAA629BD2 PC Board: 8200KA4 Reflector: 278EA1 Screw: 124CY4 Socket: 467AT1 Spring: 94FA1 Switch: on PCB Switch Holder: None Target: 323DA5
7069AF99	6	White	Raised	1.0 mm	Incandescent	LRV4	Chicklet: B396PB1 Graphic Insert: 250D* Housing: None Lamp: 424R1 PC Board: 8200KA2 Reflector: 278EA1 Screw: 124CY4 Socket: 467AT1 Spring: 94FA1 Switch: on PCB Switch Holder: None Target: 323DA5

\*Specify insert—refer to page 19.



# PUSHBUTTONS

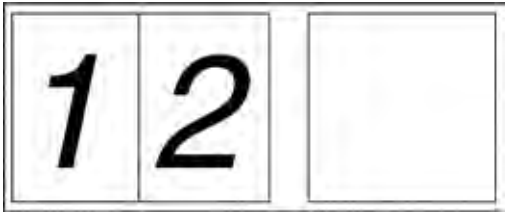
## Electrical Rating: 48 VDC

Part No.	Assy. Type	Color	Target	Faceplate Thickness	Illumination	App.	Related Parts
7069AF49	6	White	Flush	1.0 mm	Incandescent	MRVF	Chicklet: B396PB1 Graphic Insert: 250D* Housing: None Lamp: 424R1 PC Board: 8200AL1 Reflector: 278EA1 Screw: 124CY5 Socket: 467AT1 Spring: 94FA1 Switch: 177DA1 Switch Holder: 180DA2 Target: 323DA1

## Electrical Rating: 115 VAC

Part No.	Assy. Type	Color	Target	Faceplate Thickness	Illumination	App.	Related Parts
7069AF39	6	White	Flush	1.0 mm	Neon	LRV2, MRS, LRS	Chicklet: B396PB1 Graphic Insert: 250D* Housing: None Lamp: on PCB PC Board: 8200AL3 Reflector: 278EA1 Screw: 124CY5 Socket: None Spring: 94FA1 Switch: 177DA1 Switch Holder: 180DA2 Target: 323DA1
7069AF92	6	White	Raised	1.0 mm	Neon	MRS	Chicklet: B396PB1 Graphic Insert: 250D* Housing: None Lamp: on PCB PC Board: 8200AL3 Reflector: 278EA1 Screw: 124CY4 Socket: None Spring: 94FA1 Switch: 177DA1 Switch Holder: 180DA2 Target: 323DA5

©Otis, February 2011



### Floor Button, Double Digit Raised White Graphic Illuminated Target

Electrical Rating: NA

Part No.	Assy. Type	Color	Target	Faceplate Thickness	Illumination	App.	Related Parts
7069AF2	5	White	Flush	1.0 mm		E401 Interface for 9-Switch PCB	Chicklet: B396PB1 Graphic Insert: 250D* Housing: None Lamp: None PC Board: None Reflector: 278EA1 Screw: 124CY2 Socket: None Spring: 94FA1 Switch: None Switch Holder: None Target: 323DA1

\*Specify insert—refer to page 19.

© Otis, February 2011



# PUSHBUTTONS

## Electrical Rating: 24 VDC

Part No.	Assy. Type	Color	Target	Faceplate Thickness	Illumination	App.	Related Parts
7069AF17	6	White	Flush	1.0 mm	Incandescent	Geared ETO	Chicklet: B396PB1 Graphic Insert: 250D* Housing: None Lamp: 424R1 PC Board: 8200AL2 Reflector: 278EA1 Screw: 124CY5 Socket: 467AT1 Spring: 94FA1 Switch: 177DA1 Switch Holder: 180DA2 Target: 323DA1
7069AF23	4	White	Flush	1.5 mm	Incandescent	Geared ETO	Chicklet: B396PB1 Graphic Insert: 250D* Housing: 396VB2 Lamp: 424R1 PC Board: 8200AL2 Reflector: 278EA1 Screw: 124CY5 Socket: 467AT1 Spring: 94FA1 Switch: 177DA1 Switch Holder: 180DA2 Target: 323DA1

\*Specify insert—refer to page 19.





**Floor Button, Double Digit Raised White Graphic Illuminated Target (continued)**

**Electrical Rating: 30 VDC**

Part No.	Assy. Type	Color	Target	Faceplate Thickness	Illumination	App.	Related Parts
7069AF54	6	White	Flush	1.0 mm	Incandescent	LRV3	Chicklet: B396PB1 Graphic Insert: 250D* Housing: None Lamp: 424R1 PC Board: 8200AL1 Reflector: 278EA1 Screw: 124CY5 Socket: 467AT1 Spring: 94FA1 Switch: 177DA1 Switch Holder: 180DA2 Target: 323DA1
7069AF60	6	White	Flush	1.0 mm	Incandescent	LRS, LRV3	Chicklet: B396PB1 Graphic Insert: 250D* Housing: None Lamp: 424R1 PC Board: 8200KA2 Reflector: 278EA1 Screw: 124CY4 Socket: 467AT1 Spring: 94FA1 Switch: On PCB Switch Holder: None Target: 323DA1
7069AF76	6	White	Flush	1.0 mm	Orange LED	LRV4, LRV5, LRS3	Chicklet: B396PB1 Graphic Insert: 250D* Housing: None Lamp: AAA629BD2 PC Board: 8200KA4 Reflector: 278EA1 Screw: 124CY4 Socket: 467AT1 Spring: 94FA1 Switch: on PCB Switch Holder: None Target: 323DA1

© Otis, February 2011



# PUSHBUTTONS

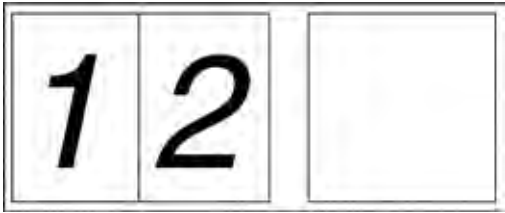
## Electrical Rating: 30 VDC (continued)

Part No.	Assy. Type	Color	Target	Faceplate Thickness	Illumination	App.	Related Parts
7069AF96	6	White	Raised	1.0 mm	Orange LED	LRS3, LRV5	Chicklet: B396PB1 Graphic Insert: 250D* Housing: None Lamp: AAA629BD2 PC Board: 8200KA4 Reflector: 278EA1 Screw: 124CY4 Socket: 467AT1 Spring: 94FA1 Switch: 177DA1 Switch Holder: 180DA2 Target: 323DA5

## Electrical Rating: 48 VDC

Part No.	Assy. Type	Color	Target	Faceplate Thickness	Illumination	App.	Related Parts
7069AF50	6	White	Flush	1.0 mm	Incandescent	MRVF	Chicklet: B396PB1 Graphic Insert: 250D* Housing: None Lamp: 424R1 PC Board: 8200AL1 Reflector: 278EA1 Screw: 124CY5 Socket: 467AT1 Spring: 94FA1 Switch: 177DA1 Switch Holder: 180DA2 Target: 323DA1

\*Specify insert—refer to page 19.



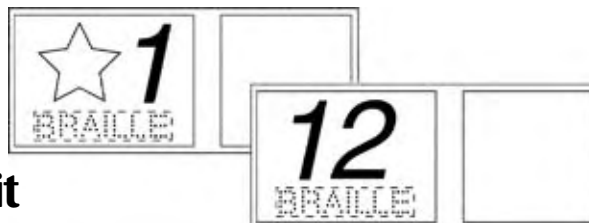
**Floor Button, Double Digit Raised White Graphic Illuminated Target (continued)**

**Electrical Rating: 115 VAC**

Part No.	Assy. Type	Color	Target	Faceplate Thickness	Illumination	App.	Related Parts
7069AF40	6	White	Flush	1.0 mm	Neon	MRVF, MRS, LRV2, LRS	Chicklet: B396PB1 Graphic Insert: 250D* Housing: None Lamp: On PCB PC Board: 8200AL3 Reflector: 278EA1 Screw: 124CY5 Socket: None Spring: 94FA1 Switch: 177DA1 Switch Holder: 180DA2 Target: 323DA1

\*Specify insert—refer to page 19.

# PUSHBUTTONS



## Floor Button, Single or Double Digit Raised White Graphic Illuminated Target

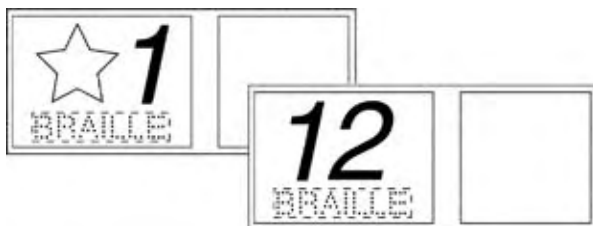
Electrical Rating: 30 VDC

Part No.	Assy. Type	Color	Target	Faceplate Thickness	Illumination	App.	Related Parts
7069AF200	3	White	Raised	3.2 mm	Orange LED	Applied COP	Chicklet: B396PB1 Graphic Insert: AAA250G* Housing: 396VB3 Lamp: AAA629BD2 PC Board: 8200KA4 Reflector: 278EA1 Screw: 124CY4 Socket: 467AT_ Spring: 94FA1 Switch: On PCB Switch Holder: None Target: 323DA5
7069AF224	3	White	Raised	1.0 mm	Red/ Green (white) LED	LHM, LRVSL, LHML2ST	Chicklet: B396PB1 Graphic Insert: AAA250G* Housing: None Lamp: On PCB PC Board: AAA26800PZ2 Reflector: 278EA1 Screw: 124CY4 Socket: None Spring: 94FA1 Switch: On PCB Switch Holder: None Target: 323DA5

©Otis, February 2011







## Floor Button, Single or Double Digit Raised White Graphic w/Braille and Illuminated Target

**Electrical Rating: 30 VDC**

Part No.	Assy. Type	Color	Target	Faceplate Thickness	Illumination	App.	Related Parts
7069AF235	6	White	Raised	1.0 mm	Various LED	Mod	Chicklet: B396PB1 Graphic Insert: 250G* Housing: None Lamp: AAA629** PC Board: CAA8200A3 Reflector: 278EA1 Screw: 124CY4 Socket: 467AT_ Spring: 94FA1 Switch: 177DA1 Switch Holder: 180DA2 Target: 323DA5

**Electrical Rating: 110 VDC**

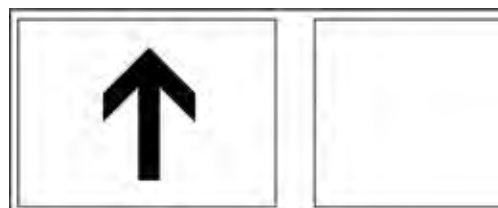
Part No.	Assy. Type	Color	Target	Faceplate Thickness	Illumination	App.	Related Parts
7069AF232	6	White	Raised	1.0 mm	Various LED	Mod	Chicklet: B396PB1 Graphic Insert: 250G* Housing: None Lamp: AAA629** PC Board: CAA8200A2 Reflector: 278EA1 Screw: 124CY4 Socket: 467AT_ Spring: 94FA1 Switch: 177DA1 Switch Holder: 180DA2 Target: 323DA5

# PUSHBUTTONS

## Electrical Rating: 110 VAC

Part No.	Assy. Type	Color	Target	Faceplate Thickness	Illumination	App.	Related Parts
7069AF229	6	White	Raised	1.0 mm	Various LED	Mod	Chicklet: B396PB1 Graphic Insert: 250G* Housing: None Lamp: AAA629** PC Board: CAA8200A1 Reflector: 278EA1 Screw: 124CY4 Socket: 467AT_ Spring: 94FA1 Switch: 177DA1 Switch Holder: 180DA2 Target: 323DA5

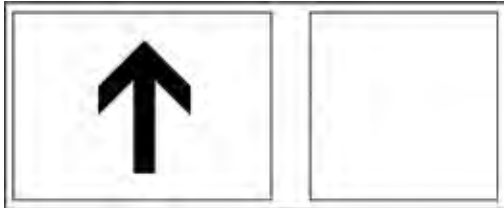
©Otis, February 2011



## Hall Call, Up Button, Raised White Graphic, Illuminated Target

## Electrical Rating: 15 VAC

Part No.	Assy. Type	Color	Target	Faceplate Thickness	Illumination	App.	Related Parts
7069AF45	4	White	Flush	1.0 mm	Neon	MRS, LRS, LRV2	Chicklet: B396PB1 Graphic Insert: 250E25 Housing: 396VB1 Lamp: On PCB PC Board: CAA8200A1 Reflector: 278EA1 Screw: 124CY5 Socket: None Spring: 94FA1 Switch: 177DA1 Switch Holder: 180DA2 Target: 323DA1



## Hall Call, Up Button, Raised White Graphic, Illuminated Target (continued)

**Electrical Rating: 24 VDC**

Part No.	Assy. Type	Color	Target	Faceplate Thickness	Illumination	App.	Related Parts
7069AF14	4	White	Flush	1.0 mm	Incandescent	Geared ETO	Chicklet: B396PB1 Graphic Insert: 250E25 Housing: 396VB1 Lamp: 424R1 PC Board: 8200AL2 Reflector: 278EA1 Screw: 124CY5 Socket: 467AT1 Spring: 94FA1 Switch: 177DA1 Switch Holder: 180DA2 Target: 323DA1
7069AF33	4	White	Flush	1.5 mm	Incandescent	Geared ETO	Chicklet: B396PB1 Graphic Insert: 250E25 Housing: 396VB2 Lamp: 424R1 PC Board: 8200AL2 Reflector: 278EA1 Screw: 124CY5 Socket: 467AT1 Spring: 94FA1 Switch: 177DA1 Switch Holder: 180DA2 Target: 323DA1
7069AF61	4	White	Flush	3.2 mm	Incandescent	Geared ETO	Chicklet: B396PB1 Graphic Insert: 250E25 Housing: 396VB3 Lamp: 424R1 PC Board: 8200AL2 Reflector: 278EA1 Screw: 124CY5 Socket: 467AT3 Spring: 94FA1 Switch: 177DA1 Switch Holder: 180DA2 Target: 323DA1

© Otis, February 2011



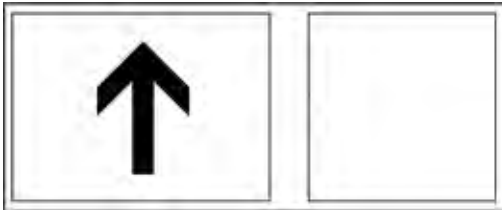
# PUSHBUTTONS

## Electrical Rating: 48 VDC

Part No.	Assy. Type	Color	Target	Faceplate Thickness	Illumination	App.	Related Parts
7069AF51	4	White	Flush	1.0 mm	Incandescent	MRVF	Chicklet: B396PB1 Graphic Insert: 250E25 Housing: 396VB1 Lamp: 424R1 PC Board: 8200AL1 Reflector: 278EA1 Screw: 124CY5 Socket: 467AT1 Spring: 94FA1 Switch: 177DA1 Switch Holder: 180DA2 Target: 323DA1

©Otis, February 2011





## Hall Call, Up Button, Raised White Graphic, Illuminated Target (continued)

**Electrical Rating: 115 VAC**

Part No.	Assy. Type	Color	Target	Faceplate Thickness	Illumination	App.	Related Parts
7069AF65	4	White	Flush	3.2 mm	Neon	MRS	Chicklet: B396PB1 Graphic Insert: 250E25 Housing: 396VB3 Lamp: On PCB PC Board: 8200AL3 Reflector: 278EA1 Screw: 124CY5 Socket: None Spring: 94FA1 Switch: 177DA1 Switch Holder: 180DA2 Target: 323DA1
7069AF83	4	White	Raised	1.0 mm	Red Neon	MRS	Chicklet: B396PB1 Graphic Insert: 250E25 Housing: 396VB3 Lamp: On PCB PC Board: 8200AL3 Reflector: 278EA1 Screw: 124CY5 Socket: None Spring: 94FA1 Switch: 177DA1 Switch Holder: 180DA2 Target: 323DA1
7069AF85	4	White	Raised	3.2 mm	Neon	MRS	Chicklet: B396PB1 Graphic Insert: 250E25 Housing: 396VB3 Lamp: On PCB PC Board: 8200AL3 Reflector: 278EA1 Screw: 124CY5 Socket: None Spring: 94FA1 Switch: 177DA1 Switch Holder: 180DA2 Target: 323DA5

© Otis, February 2011

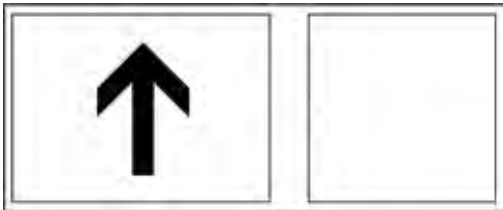
# PUSHBUTTONS

## Electrical Rating: 30 VDC

Part No.	Assy. Type	Color	Target	Faceplate Thickness	Illumination	App.	Related Parts
7069AF11	3	White	Flush	1.0 mm	Incandescent	E401, LRS, LRV3, LRV4	Chicklet: B396PB1 Graphic Insert: 250E25 Housing: 396VB1 Lamp: 424R1 PC Board: 8200KA1 Reflector: 278EA1 Screw: 124CY4 Socket: 467AT1 Spring: 94FA1 Switch: on PCB Switch Holder: None Target: 323DA1
7069AF31	3	White	Flush	1.5 mm	Incandescent	E401 ETO	Chicklet: B396PB1 Graphic Insert: 250E25 Housing: 396VB2 Lamp: 424R1 PC Board: 8200KA1 Reflector: 278EA1 Screw: 124CY4 Socket: 467AT1 Spring: 94FA1 Switch: on PCB Switch Holder: None Target: 323DA1
7069AF55	3	White	Flush	3.2 mm	Incandescent	E401, LRS	Chicklet: B396PB1 Graphic Insert: 250E25 Housing: 396VB3 Lamp: 424R1 PC Board: 8200KA1 Reflector: 278EA1 Screw: 124CY4 Socket: 467AT1 Spring: 94FA1 Switch: on PCB Switch Holder: None Target: 323DA1

©Otis, February 2011





# OTIS®

**Hall Call, Up Button, Raised White Graphic, Illuminated Target, Electrical Rating: 30 VDC  
(continued)**

Part No.	Assy. Type	Color	Target	Faceplate Thickness	Illumination	App.	Related Parts
7069AF63	3	White	Flush	1.0 mm	Incandescent		Chicklet: B396PB1 Graphic Insert: 250E25 Housing: 396VB1 Lamp: 424R1 PC Board: 8200KA2 Reflector: 278EA1 Screw: 124CY4 Socket: 467AT1 Spring: 94FA1 Switch: on PCB Switch Holder: None Target: 323DA1
7069AF73	3	White	Flush	1.0 mm	Orange LED	LRV5L, LRV4L, LRV5	Chicklet: B396PB1 Graphic Insert: 250E25 Housing: 396VB1 Lamp: AAA629BD2 PC Board: 8200KA4 Reflector: 278EA1 Screw: 124CY4 Socket: 467AT1 Spring: 94FA1 Switch: on PCB Switch Holder: None Target: 323DA1
7069AF77	3	White	Flush	1.0 mm	Orange LED	LRS3, LRV4	Chicklet: B396PB1 Graphic Insert: 250E25 Housing: 396VB1 Lamp: AAA629BD2 PC Board: 8200KA3 Reflector: 278EA1 Screw: 124CY4 Socket: 467AT1 Spring: 94FA1 Switch: on PCB Switch Holder: None Target: 323DA1

© Otis, February 2011



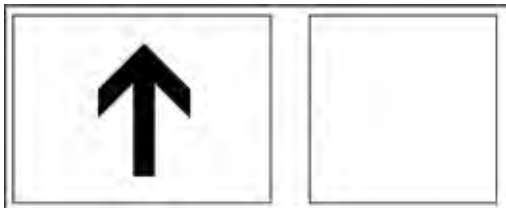
# PUSHBUTTONS

## Electrical Rating: 30 VDC (continued)

Part No.	Assy. Type	Color	Target	Faceplate Thickness	Illumination	App.	Related Parts
7069AF79	3	White	Raised	1.0 mm	Incandescent	E401	Chicklet: B396PB1 Graphic Insert: 250E25 Housing: 396VB1 Lamp: 424R1 PC Board: 8200KA1 Reflector: 278EA1 Screw: 124CY4 Socket: 467AT1 Spring: 94FA1 Switch: on PCB Switch Holder: None Target: 323DA5
7069AF81	3	White	Raised	3.2 mm	Incandescent	E401	Chicklet: B396PB1 Graphic Insert: 250E25 Housing: 396VB3 Lamp: 424R1 PC Board: 8200KA1 Reflector: 278EA1 Screw: 124CY4 Socket: 467AT1 Spring: 94FA1 Switch: on PCB Switch Holder: None Target: 323DA5
7069AF108	3	White	Raised	1.0 mm	Orange LED	LRV5L, LRV4L, LRV5, LHM, LHML2ST	Chicklet: B396PB1 Graphic Insert: 250E25 Housing: 396VB1 Lamp: AAA629BD2 PC Board: 8200KA4 Reflector: 278EA1 Screw: 124CY4 Socket: 467AT1 Spring: 94FA1 Switch: on PCB Switch Holder: None Target: 323DA5

©Otis, February 2011





**Hall Call, Up Button, Raised White Graphic, Illuminated Target, Electrical Rating: 30 VDC  
(continued)**

Part No.	Assy. Type	Color	Target	Faceplate Thickness	Illumination	App.	Related Parts
7069AF110	3	White	Raised	1.0 mm	Orange LED	LRS3, LRV4, LRS	Chicklet: B396PB1 Graphic Insert: 250E25 Housing: 396VB1 Lamp: AAA629BD2 PC Board: 8200KA3 Reflector: 278EA1 Screw: 124CY4 Socket: 467AT1 Spring: 94FA1 Switch: on PCB Switch Holder: None Target: 323DA5
7069AF113	3	White	Raised	1.0 mm	Incandescent	LRV4L	Chicklet: B396PB1 Graphic Insert: 250E25 Housing: 396VB1 Lamp: 424R1 PC Board: 8200KA2 Reflector: 278EA1 Screw: 124CY4 Socket: 467AT1 Spring: 94FA1 Switch: on PCB Switch Holder: None Target: 323DA5
7069AF114	3	White	Flush	3.2 mm	Orange LED	LRS3	Chicklet: B396PB1 Graphic Insert: 250E25 Housing: 396VB3 Lamp: AAA629BD2 PC Board: 8200KA3 Reflector: 278EA1 Screw: 124CY4 Socket: 467AT1 Spring: 94FA1 Switch: on PCB Switch Holder: None Target: 323DA1

© Otis, February 2011

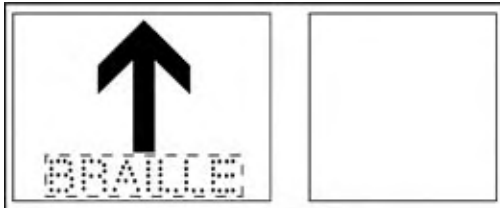


# PUSHBUTTONS

©Otis, February 2011

Part No.	Assy. Type	Color	Target	Faceplate Thickness	Illumination	App.	Related Parts
7069AF116	3	White	Raised	1.0 mm	Orange LED	LRS3	Chicklet: B396PB1 Graphic Insert: 250E25 Housing: 396VB3 Lamp: AAA629BD2 PC Board: 8200KA3 Reflector: 278EA1 Screw: 124CY4 Socket: 467AT1 Spring: 94FA1 Switch: on PCB Switch Holder: None Target: 323DA5
7069AF154	3	White	Raised	1.0 mm	Red / Green (white) LED	LRS3	Chicklet: B396PB1 Graphic Insert: 250E25 Housing: 396VB1 Lamp: on PCB PC Board: AAA26800PZ1 Reflector: 278EA1 Screw: 124CY4 Socket: None Spring: 94FA1 Switch: on PCB Switch Holder: None Target: 323DA5
7069AF155	3	White	Raised	1.0 mm	Red / Green (white) LED	LHM, LRV5, LRV5L, LHML2ST	Chicklet: B396PB1 Graphic Insert: 250E25 Housing: 396VB3 Lamp: on PCB PC Board: AAA26800PZ2 Reflector: 278EA1 Screw: 124CY4 Socket: None Spring: 94FA1 Switch: on PCB Switch Holder: None Target: 323DA5





## Hall Call, Up Button, Raised White Graphic w/Braille, Illuminated Target

Electrical Rating: 30 VDC

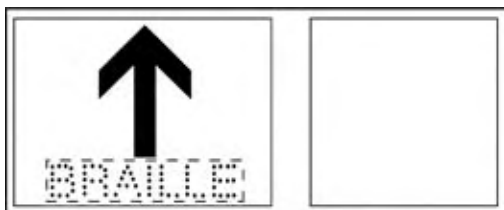
Part No.	Assy. Type	Color	Target	Faceplate Thickness	Illumination	App.	Related Parts
7069AF211	3	White	Raised	1.0 mm	Orange LED	LHM, LRV5L, LHML2ST	Chicklet: B396PB1 Graphic Insert: AAA250G1-UPARROW Housing: 396VB1 Lamp: AAA629BD2 PC Board: 8200KA1 Reflector: 278EA1 Screw: 124CY4 Socket: 467AT1 Spring: 94FA1 Switch: on PCB Switch Holder: None Target: 323DA5
7069AF213	3	White	Raised	1.0 mm	Orange LED	LRS3, LRS	Chicklet: B396PB1 Graphic Insert: AAA250G1-UPARROW Housing: 396VB3 Lamp: AAA629BD2 PC Board: 8200KA3 Reflector: 278EA1 Screw: 124CY4 Socket: 467AT1 Spring: 94FA1 Switch: on PCB Switch Holder: None Target: 323DA5
7069AF215	3	White	Raised	3.2 mm	Orange LED	LRS3	Chicklet: B396PB1 Graphic Insert: AAA250G1-UPARROW Housing: 396VB3 Lamp: AAA629BD2 PC Board: 8200KA3 Reflector: 278EA1 Screw: 124CY4 Socket: 467AT1 Spring: 94FA1 Switch: on PCB Switch Holder: None Target: 323DA5

# PUSHBUTTONS

©Otis, February 2011

Part No.	Assy. Type	Color	Target	Faceplate Thickness	Illumination	App.	Related Parts
7069AF225	3	White	Raised	1.0 mm	Orange LED	LHM, LRV5L, LHML2ST	Chicklet: B396PB1 Graphic Insert: AAA250G1-UPARROW Housing: 396VB1 Lamp: AAA629BD2 PC Board: AAA26800PZ2 Reflector: 278EA1 Screw: 124CY4 Socket: None Spring: 94FA1 Switch: on PCB Switch Holder: None Target: 323DA5
7069AF227	3	White	Raised	1.0 mm	Red / Green (white) LED	LRS3, LRS	Chicklet: B396PB1 Graphic Insert: AAA250G1-UPARROW Housing: 396VB1 Lamp: On PCB PC Board: AAA26800PZ1 Reflector: 278EA1 Screw: 124CY4 Socket: None Spring: 94FA1 Switch: on PCB Switch Holder: None Target: 323DA5





**Hall Call, Up Button, Raised White Graphic w/Braille, Illuminated Target,  
Electrical Rating: 30 VDC (continued)**

Part No.	Assy. Type	Color	Target	Faceplate Thickness	Illumination	App.	Related Parts
7069AF230	3	White	Raised	1.0 mm	Various LED		Chicklet: B396PB1 Graphic Insert: AAA250G1-UPARROW Housing: None Lamp: AAA629* PC Board: CAA8200A1 Reflector: 278EA1 Screw: 124CY4 Socket: 467AT1 Spring: 94FA1 Switch: 177DA1 Switch Holder: None Target: 323DA5
7069AF236	3	White	Raised	1.0 mm	Various LED	LHM, LRV5L, LHML2ST	Chicklet: B396PB1 Graphic Insert: AAA250G1-UPARROW Housing: None Lamp: AAA629* PC Board: CAA8200A3 Reflector: 278EA1 Screw: 124CY4 Socket: 467AT1 Spring: 94FA1 Switch: 177DA1 Switch Holder: 180DA2 Target: 323DA5

\* Select lamps from AAA629AY2, AAA629BD2, or AAA629BD5 according to LED selection.

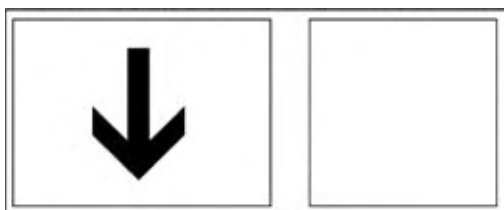
# PUSHBUTTONS

## Electrical Rating: 110 VDC

Part No.	Assy. Type	Color	Target	Faceplate Thickness	Illumination	App.	Related Parts
7069AF233	3	White	Raised	1.0 mm	Orange LED	Various LED	Chicklet: B396PB1 Graphic Insert: AAA250G1-UPARROW Housing: 396VB3 Lamp: AAA629* PC Board: CAA8200A2 Reflector: 278EA1 Screw: 124CY4 Socket: 467AT1 Spring: 94FA1 Switch: 177DA1 Switch Holder: 180DA2 Target: 323DA5

©Otis, February 2011





## Hall Call, Down Button, Raised White Graphic, Illuminated Target

Electrical Rating: N/A

Part No.	Assy. Type	Color	Target	Faceplate Thickness	Illumination	App.	Related Parts
7069AF109	3	White	Raised	1.0 mm	Orange LED	LHM, LRV4L, LRV5, LRV5L, LHML2ST	Chicklet: B396PB1 Graphic Insert: 250E26 Housing: 396VB1 Lamp: AAA629BD2 PC Board: 8200KA4 Reflector: 278EA1 Screw: 124CY4 Socket: 467AT1 Spring: 94FA1 Switch: on PCB Switch Holder: None Target: 323DA5
7069AF111	3	White	Raised	1.0 mm	Orange LED	LRS3, LRV4, LRS	Chicklet: B396PB1 Graphic Insert: 250E26 Housing: 396VB1 Lamp: AAA629BD2 PC Board: 8200KA3 Reflector: 278EA1 Screw: 124CY4 Socket: 467AT1 Spring: 94FA1 Switch: on PCB Switch Holder: None Target: 323DA5

© Otis, February 2011

# PUSHBUTTONS

## Electrical Rating: 24 VDC

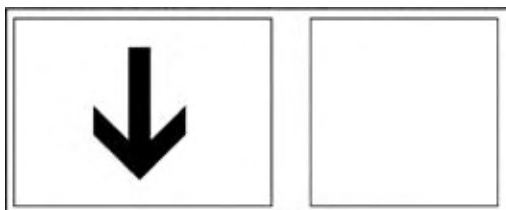
Part No.	Assy. Type	Color	Target	Faceplate Thickness	Illumination	App.	Related Parts
7069AF15	4	White	Flush	1.0 mm	Incandescent	Geared ETO	Chicklet: B396PB1 Graphic Insert: 250E26 Housing: 396VB1 Lamp: 424R1 PC Board: 8200AL2 Reflector: 278EA1 Screw: 124CY5 Socket: 467AT1 Spring: 94FA1 Switch: 177DA1 Switch Holder: 180DA2 Target: 323DA1
7069AF34	4	White	Flush	1.5 mm	Incandescent	Geared ETO	Chicklet: B396PB1 Graphic Insert: 250E26 Housing: 396VB2 Lamp: 424R1 PC Board: 8200AL2 Reflector: 278EA1 Screw: 124CY5 Socket: 467AT1 Spring: 94FA1 Switch: 177DA1 Switch Holder: 180DA2 Target: 323DA1

## Electrical Rating: 48 VDC

Part No.	Assy. Type	Color	Target	Faceplate Thickness	Illumination	App.	Related Parts
7069AF52	4	White	Flush	1.0 mm	Incandescent	MRVF	Chicklet: B396PB1 Graphic Insert: 250E26 Housing: 396VB1 Lamp: 424R1 PC Board: 8200AL1 Reflector: 278EA1 Screw: 124CY5 Socket: 467AT1 Spring: 94FA1 Switch: 177DA1 Switch Holder: 180DA2 Target: 323DA1







## Hall Call, Down Button, Raised White Graphic, Illuminated Target (continued)

**Electrical Rating: 115 VAC**

Part No.	Assy. Type	Color	Target	Faceplate Thickness	Illumination	App.	Related Parts
7069AF46	4	White	Flush	1.0 mm	Neon	MRS, LRS, LRV2	Chicklet: B396PB1 Graphic Insert: 250E26 Housing: 396VB1 Lamp: On PCB PC Board: 8200AL3 Reflector: 278EA1 Screw: 124CY5 Socket: None Spring: 94FA1 Switch: 177DA1 Switch Holder: 180DA2 Target: 323DA1
7069AF66	4	White	Flush	3.2 mm	Neon	MRS	Chicklet: B396PB1 Graphic Insert: 250E26 Housing: 396VB3 Lamp: On PCB PC Board: 8200AL3 Reflector: 278EA1 Screw: 124CY5 Socket: None Spring: 94FA1 Switch: 177DA1 Switch Holder: 180DA2 Target: 323DA1
7069AF84	4	White	Raised	1.0 mm	Neon	MRS	Chicklet: B396PB1 Graphic Insert: 250E26 Housing: 396VB1 Lamp: On PCB PC Board: 8200AL3 Reflector: 278EA1 Screw: 124CY5 Socket: None Spring: 94FA1 Switch: 177DA1 Switch Holder: 180DA2 Target: 323DA5

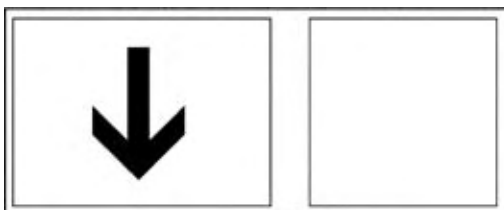


# PUSHBUTTONS

Part No.	Assy. Type	Color	Target	Faceplate Thickness	Illumination	App.	Related Parts
7069AF86	4	White	Raised	3.2 mm	Neon	MRS	Chicklet: B396PB1 Graphic Insert: 250E26 Housing: 396VB3 Lamp: On PCB PC Board: 8200AL3 Reflector: 278EA1 Screw: 124CY5 Socket: None Spring: 94FA1 Switch: 177DA1 Switch Holder: 180DA2 Target: 323DA5

©Otis, February 2011





## Hall Call, Down Button, Raised White Graphic, Illuminated Target (continued)

### Electrical Rating: Nominal 30 VDC

Part No.	Assy. Type	Color	Target	Faceplate Thickness	Illumination	App.	Related Parts
7069AF12	3	White	Flush	1.0 mm	Incandescent	E401, LRS, LRV3, LRV4	Chicklet: B396PB1 Graphic Insert: 250E26 Housing: 396VB1 Lamp: 424R1 PC Board: 8200KA1 Reflector: 278EA1 Screw: 124CY4 Socket: 467AT1 Spring: 94FA1 Switch: on PCB Switch Holder: None Target: 323DA1
7069AF32	3	White	Flush	1.5 mm	Incandescent	E401 ETO	Chicklet: B396PB1 Graphic Insert: 250E26 Housing: 396VB1 Lamp: 424R1 PC Board: 8200KA1 Reflector: 278EA1 Screw: 124CY4 Socket: 467AT1 Spring: 94FA1 Switch: on PCB Switch Holder: None Target: 323DA1
7069AF56	3	White	Flush	3.2 mm	Incandescent	E401	Chicklet: B396PB1 Graphic Insert: 250E26 Housing: 396VB3 Lamp: 424R1 PC Board: 8200KA1 Reflector: 278EA1 Screw: 124CY4 Socket: 467AT1 Spring: 94FA1 Switch: On PCB Switch Holder: 180DA2 Target: 323DA5

© Otis, February 2011

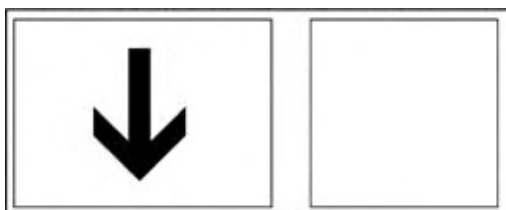


# PUSHBUTTONS

Part No.	Assy. Type	Color	Target	Faceplate Thickness	Illumination	App.	Related Parts
7069AF62	4	White	Flush	3.2 mm	Incandescent	Geared, ETO	Chicklet: B396PB1 Graphic Insert: 250E26 Housing: 396VB3 Lamp: 424R1 PC Board: 8200AL2 Reflector: 278EA1 Screw: 124CY5 Socket: 467AT1 Spring: 94FA1 Switch: 177DA1 Switch Holder: None Target: 323DA1
7069AF64	3	White	Flush	1.0 mm	Incandescent		Chicklet: B396PB1 Graphic Insert: 250E26 Housing: 396VB1 Lamp: 424R1 PC Board: 8200KA2 Reflector: 278EA1 Screw: 124CY4 Socket: 467AT1 Spring: 94FA1 Switch: on PCB Switch Holder: None Target: 323DA1
7069AF74	3	White	Flush	1.0 mm	Orange LED	LRV5L, LRV4L, LRV5	Chicklet: B396PB1 Graphic Insert: 250E26 Housing: 396VB1 Lamp: AAA629BD2 PC Board: 8200KA4 Reflector: 278EA1 Screw: 124CY4 Socket: 467AT1 Spring: 94FA1 Switch: On PCB Switch Holder: None Target: 323DA1

©Otis, February 2011





**Hall Call, Down Button, Raised White Graphic, Illuminated Target,  
Electrical Rating: Nominal 30 VDC (continued)**

Part No.	Assy. Type	Color	Target	Faceplate Thickness	Illumination	App.	Related Parts
7069AF78	4	White	Flush	1.0 mm	Orange LED	LRS3, LRV4	Chicklet: B396PB1 Graphic Insert: 250E26 Housing: 396VB1 Lamp: AAA629BD2 PC Board: 8200KA3 Reflector: 278EA1 Screw: 124CY4 Socket: 467AT1 Spring: 94FA1 Switch: on PCB Switch Holder: None Target: 323DA1
7069AF80	3	White	Raised	1.0 mm	Incandescent	E401	Chicklet: B396PB1 Graphic Insert: 250E26 Housing: 396VB1 Lamp: 424R1 PC Board: 8200KA1 Reflector: 278EA1 Screw: 124CY4 Socket: 467AT1 Spring: 94FA1 Switch: on PCB Switch Holder: None Target: 323DA5
7069AF82	3	White	Raised	3.2 mm	Incandescent	E401	Chicklet: B396PB1 Graphic Insert: 250E26 Housing: 396VB3 Lamp: 424R1 PC Board: 8200KA1 Reflector: 278EA1 Screw: 124CY4 Socket: 467AT1 Spring: 94FA1 Switch: On PCB Switch Holder: None Target: 323DA5

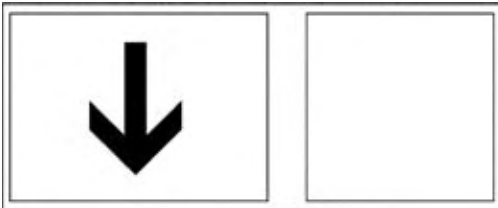
© Otis, February 2011

# PUSHBUTTONS

Part No.	Assy. Type	Color	Target	Faceplate Thickness	Illumination	App.	Related Parts
7069AF112	3	White	Raised	1.0 mm	Incandescent	LRV4L	Chicklet: B396PB1 Graphic Insert: 250E26 Housing: 396VB1 Lamp: 424R1 PC Board: 8200KA2 Reflector: 278EA1 Screw: 124CY4 Socket: 467AT1 Spring: 94FA1 Switch: on PCB Switch Holder: None Target: 323DA5
7069AF115	3	White	Flush	3.2 mm	Orange LED	LRS3	Chicklet: B396PB1 Graphic Insert: 250E26 Housing: 396VB3 Lamp: AAA629BD2 PC Board: 8200KA3 Reflector: 278EA1 Screw: 124CY4 Socket: 467AT1 Spring: 94FA1 Switch: on PCB Switch Holder: None Target: 323DA1
7069AF117	3	White	Raised	3.2 mm	Orange LED	LRS3	Chicklet: B396PB1 Graphic Insert: 250E26 Housing: 396VB3 Lamp: AAA629BD2 PC Board: 8200KA3 Reflector: 278EA1 Screw: 124CY4 Socket: 467AT1 Spring: 94FA1 Switch: on PCB Switch Holder: None Target: 323DA5

©Otis, February 2011





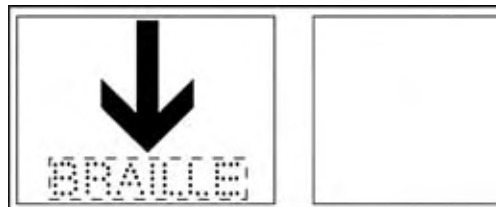
**Hall Call, Down Button, Raised White Graphic, Illuminated Target,  
Electrical Rating: Nominal 30 VDC (continued)**

Part No.	Assy. Type	Color	Target	Faceplate Thickness	Illumination	App.	Related Parts
7069AF156	3	White	Raised	1.0 mm	Red / Green (white) LED	LRS3	Chicklet: B396PB1 Graphic Insert: 250E26 Housing: 396VB1 Lamp: on PCB PC Board: AAA26800PZ1 Reflector: 278EA1 Screw: 124CY4 Socket: None Spring: 94FA1 Switch: on PCB Switch Holder: None Target: 323DA5
7069AF157	3	White	Raised	1.0 mm	Red / Green (white) LED	LHM, LRV5, LRV5L, LHML2ST	Chicklet: B396PB1 Graphic Insert: 250E26 Housing: 396VB1 Lamp: on PCB PC Board: AAA26800PZ2 Reflector: 278EA1 Screw: 124CY4 Socket: 467AT1 Spring: 94FA1 Switch: on PCB Switch Holder: None Target: 323DA5

© Otis, February 2011

# PUSHBUTTONS

**Hall Call, Down Button,  
Raised White Graphic w/Braille,  
Illuminated Target**



**Electrical Rating: Nominal 110 VAC**

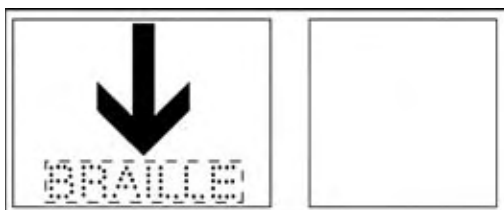
Part No.	Assy. Type	Color	Target	Faceplate Thickness	Illumination	App.	Related Parts
7069AF231	6	White	Raised	1.0 mm	Various LED		Chicklet: B396PB1 Graphic Insert: AAA250G1-DNARROW Housing: None Lamp: AAA629* PC Board: CAA8200A1 Reflector: 278EA1 Screw: 124CY4 Socket: 467AT1 Spring: 94FA1 Switch: 177DA1 Switch Holder: 180DA2 Target: 323DA5
7069AF234	6	White	Raised	1.0 mm	Various LED		Chicklet: B396PB1 Graphic Insert: AAA250G1-DNARROW Housing: None Lamp: AAA629* PC Board: CAA8200A2 Reflector: 278EA1 Screw: 124CY4 Socket: 467AT1 Spring: 94FA1 Switch: 177DA1 Switch Holder: 180DA2 Target: 323DA5

\* Select lamps from AAA629AY2, AAA629BD2, or AAA629BD5 according to LED selection.

©Otis, February 2011







## Hall Call, Down Button, Raised White Graphic w/Braille, Illuminated Target (continued)

**Electrical Rating: Nominal 30 VDC**

Part No.	Assy. Type	Color	Target	Faceplate Thickness	Illumination	App.	Related Parts
7069AF212	3	White	Raised	1.0 mm	Orange LED	LHM, LRV5L, LHML2ST	Chicklet: B396PB1 Graphic Insert: AAA250G1-DNARROW Housing: 396VB1 Lamp: AAA629BD2 PC Board: 8200KA4 Reflector: 278EA1 Screw: 124CY4 Socket: 467AT1 Spring: 94FA1 Switch: on PCB Switch Holder: None Target: 323DA5
7069AF214	3	White	Raised	1.0 mm	Orange LED	LRS3	Chicklet: B396PB1 Graphic Insert: AAA250G1-DNARROW Housing: 396VB1 Lamp: AAA629BD2 PC Board: 8200KA3 Reflector: 278EA1 Screw: 124CY4 Socket: 467AT1 Spring: 94FA1 Switch: on PCB Switch Holder: None Target: 323DA5
7069AF216	3	White	Raised	3.2 mm	Orange LED	LRS3, LRS3	Chicklet: B396PB1 Graphic Insert: AAA250G1-DNARROW Housing: 396VB1 Lamp: AAA629BD2 PC Board: 8200KA3 Reflector: 278EA1 Screw: 124CY4 Socket: 467AT1 Spring: 94FA1 Switch: on PCB Switch Holder: None Target: 323DA5

© Otis, February 2011

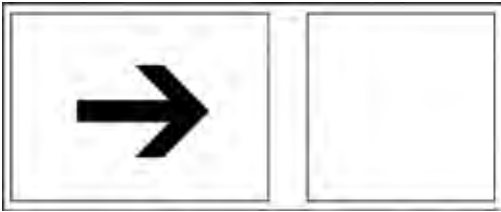


# PUSHBUTTONS

Part No.	Assy. Type	Color	Target	Faceplate Thickness	Illumination	App.	Related Parts
7069AF226	3	White	Raised	1.0 mm	Red / Green (white) LED	LRV5L, LHM, LHML2ST	Chicklet: B396PB1 Graphic Insert: AAA250G1-DNARROW Housing: 396VB1 Lamp: On PCB PC Board: AAA26800PZ2 Reflector: 278EA1 Screw: 124CY4 Socket: None Spring: 94FA1 Switch: on PCB Switch Holder: None Target: 323DA5
7069AF228	3	White	Raised	1.0 mm	Red / Green (white) LED	LRS, LRS3	Chicklet: B396PB1 Graphic Insert: AAA250G1-DNARROW Housing: 396VB1 Lamp: On PCB PC Board: AAA26800PZ1 Reflector: 278EA1 Screw: 124CY4 Socket: 467AT1 Spring: 94FA1 Switch: on PCB Switch Holder: None Target: 323DA5
7069AF237	6	White	Raised	1.0 mm	Various LED		Chicklet: B396PB1 Graphic Insert: AAA250G1-DNARROW Housing: None Lamp: AAA629* PC Board: CAA8200A3 Reflector: 278EA1 Screw: 124CY4 Socket: 467AT1 Spring: 94FA1 Switch: 177DA1 Switch Holder: 180DA2 Target: 323DA5

©Otis, February 2011





## Hall Call Button, Jamb Mounted, Raised White Graphic, Illuminated Target

**Electrical Rating: Nominal 30 VDC**

Part No.	Assy. Type	Color	Target	Faceplate Thickness	Illumination	App.	Related Parts
7069AF13	3	White	Flush	1.5 mm	Incandescent	E401 ETO	Chicklet: B396PB1 Graphic Insert: 250E8 Housing: 396VB2 Lamp: 424R1 PC Board: 8200KA1 Reflector: 278EA1 Screw: 124CY4 Socket: 467AT1 Spring: 94FA1 Switch: on PCB Switch Holder: None Target: 323DA1

**Electrical Rating: Nominal 24 VDC**

Part No.	Assy. Type	Color	Target	Faceplate Thickness	Illumination	App.	Related Parts
7069AF35	4	White	Flush	1.5 mm	Incandescent	Geared ETO	Chicklet: B396PB1 Graphic Insert: 250E8 Housing: 396VB2 Lamp: 424R1 PC Board: 8200AL2 Reflector: 278EA1 Screw: 124CY4 Socket: 467AT1 Spring: 94FA1 Switch: 177DA1 Switch Holder: 180DA2 Target: 323DA1



# PUSHBUTTONS

## Stop Button White Printed Text

Electrical Rating: 5A @250 VAC-SPDT



Part No.	Assy. Type	Color	Target	Faceplate Thickness	Illumination	App.	Related Parts
7069AF10	1	Red	Flush	1.5 mm		E401 ETO	Chicklet: B396PB1 Graphic Insert: 250E27 Housing: 396VB1 Lamp: None PC Board: None Reflector: 278EA1 Screw: 124CY4 Socket: None Spring: 94FA1 Switch: 177DA1 Switch Holder: 180DA2 Target: 323DA4
7069AF30	1	Red	Flush	1.5 mm		Geared ETO	Chicklet: B396PB1 Graphic Insert: 250E27 Housing: 396VB1 Lamp: None PC Board: None Reflector: 278EA1 Screw: 124CY4 Socket: None Spring: 94FA1 Switch: 177DA1 Switch Holder: 180DA2 Target: 323DA4

©Otis, February 2011





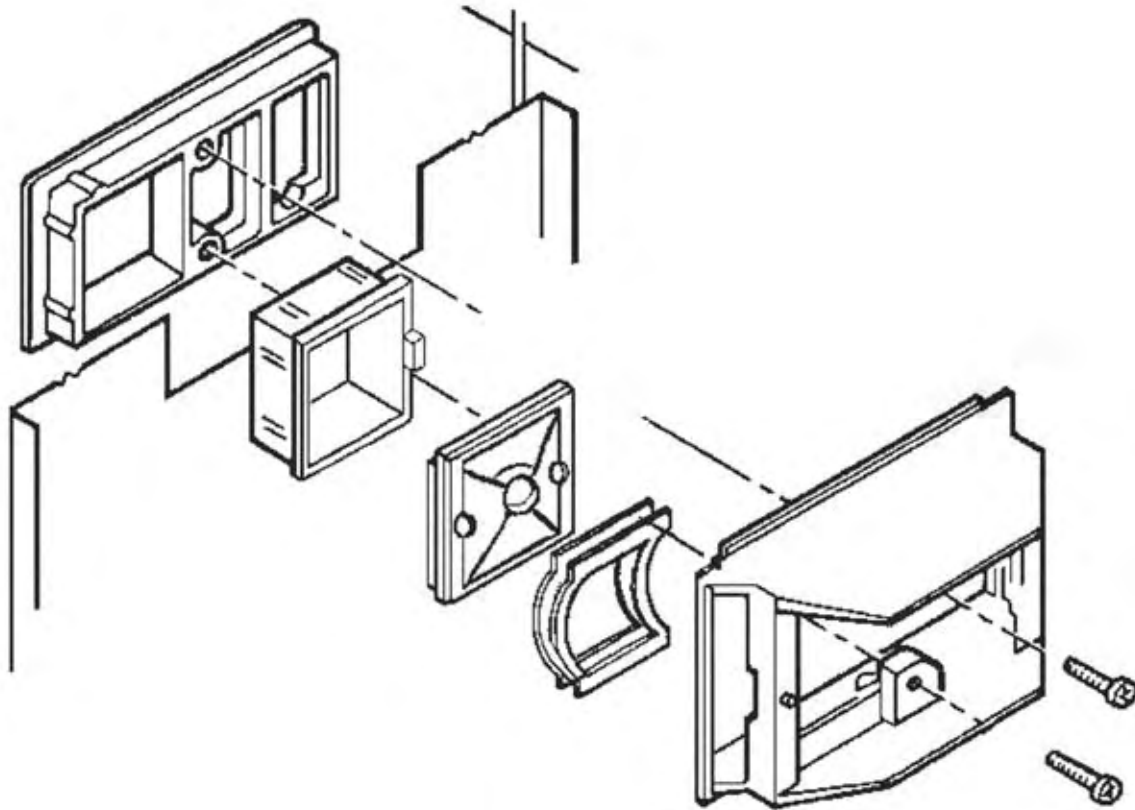
## Stop Button White Printed Text (continued)

**Electrical Rating: 5A @250 VAC-DPDT**

Part No.	Assy. Type	Color	Target	Faceplate Thickness	Illumination	App.	Related Parts
7069AF36	2	Red	Flush	1.0 mm		E401 ETO	Chicklet: B396PB1 Graphic Insert: 250E27 Housing: 396VB1 Lamp: None PC Board: None Reflector: 278EA1 Screw: 124CY4 Socket: None Spring: 94FA1 Switch: (2) 177DA1 Switch Holder: 180DA1 Target: 323DA4
7069AF37	2	Red	Flush	1.5 mm		Geared ETO	Chicklet: B396PB1 Graphic Insert: 250E27 Housing: 396VB2 Lamp: None PC Board: None Reflector: 278EA1 Screw: 124CY4 Socket: None Spring: 94FA1 Switch: (2) 177DA1 Switch Holder: 180DA1 Target: 323DA4

# PUSHBUTTONS

©Otis, February 2011



## 7069AF Button Kits

See SPL 31-7069AF

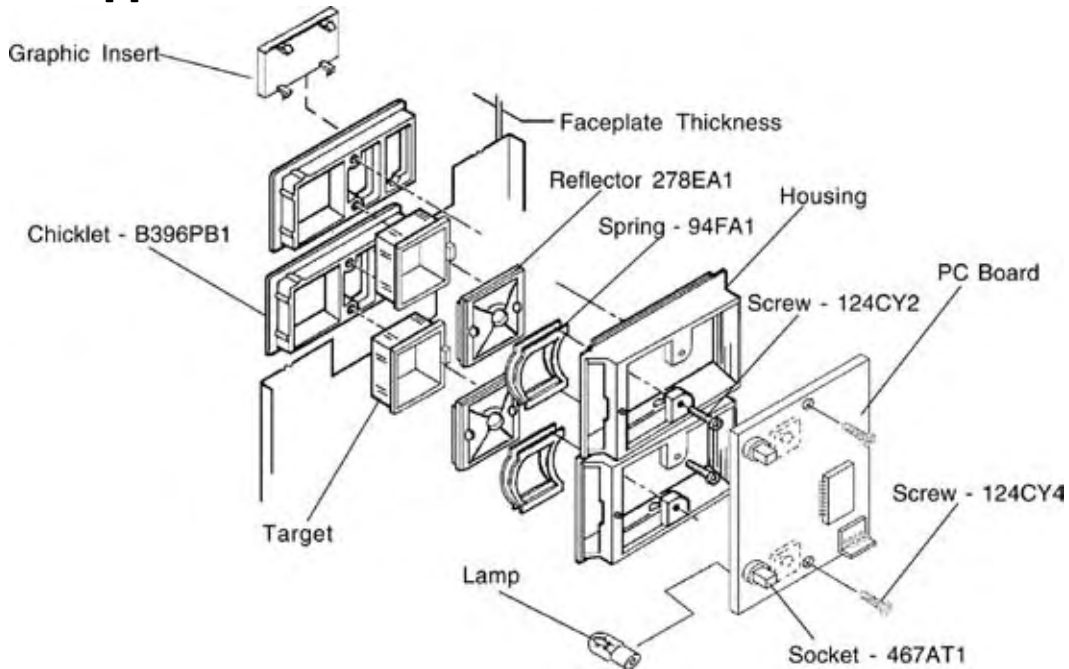
Part No.	Target Color	Faceplate Thickness	Application (Car & Hall)
2700CAK7	Green	1.0 mm	All LR & MR applications with a raised target
2700CAK11	Green	1.0 mm	All LR & MR applications with a raised target
2700CAK13	Red	1.0 mm	ETO Only
2700CAK14	Red	1.5 mm	ETO Only
2700CAK3	White	- - -	E401 floor button (flush target)
2700CAK4	White	1.0 mm	All LR & MR applications with a raised target
2700CAK5	White	3.2 mm	All LR & MR applications with a raised target
2700CAK12	White	- - -	E401 floor button (raised target)
2700CAK8	White	1.0 mm	All LR & MR applications with a raised target
2700CAK9	White	3.2 mm	All LR & MR applications with a raised target
2700CAK6	Yellow	1.0 mm	All LR & MR applications with a raised target
2700CAK10	Yellow	1.0 mm	All LR & MR applications with a raised target

# 7069BF

See SPL 31-7069BF



## Two-Button Module w/Remote Station & Housing, Hall Panel & Flat COP Applications



Part No.	Target	Faceplate Thickness	Illumination	App.	Related Parts
7069BF5	Flush	0.06 in. (1.5 mm)	Incandescent	COP Floor Buttons (Europe)	Graphic Insert: 250D*
					Housing: 396KJ2
					Lamp: 424R1
					PC Board: B9693C3 (RS3A)
7069BF6	Flush	0.06 in. (1.5 mm)	Incandescent	COP Floor Buttons (Europe)	Target: 323DA1
					Graphic Insert: 250D*
					Housing: 396KJ2
					Lamp: 424R1
7069BF17	Flush	0.04 in. (1.0 mm)	Incandescent	Intermediate Hall Buttons	PC Board: B9693C3 (RS3A)
					Target: 323DA1
					Graphic Insert: 250E25 (Up) 250E26 (Down)
					Housing: 396KJ1
7069BF20	Flush	0.125 in. (3.2 mm)	Incandescent	Intermediate Hall Buttons	Lamp: 424R1
					PC Board: B9693C2 (RS3)
					Graphic Insert: 250E25 (Up) 250E26 (Down)
					Housing: 396KJ4
					Socket - 467AT1

© Otis, February 2011



# PUSHBUTTONS

©Otis, February 2011

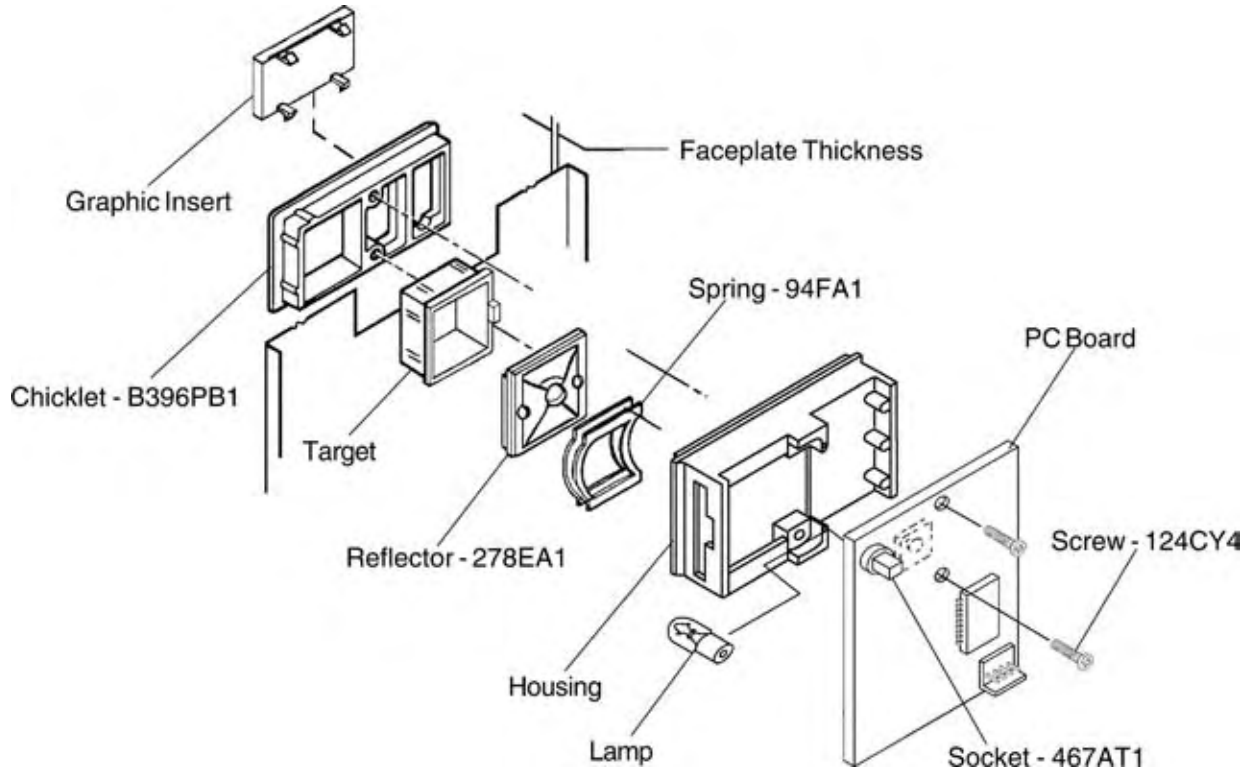
Part No.	Target	Faceplate Thickness	Illumination	App.	Related Parts
7069BF24	Raised	0.04 in. (1.0 mm)	Incandescent	Intermediate Hall Buttons	Graphic Insert: 250E25 (Up) 250E26 (Down)
					Housing: 396KJ1
					Lamp: 424R1
					PC Board: B9693C2 (RS3)
					Target: 323DA5
7069BF25	Raised	0.125 in. (3.2 mm)	Incandescent	COP Floor Buttons	Graphic Insert: 250D* or AAA250G*
					Housing: 396KJ4
					Lamp: 424R1
					PC Board: B9693C2 (RS3)
					Target: 323DA5
7069BF30	Raised	0.04 in. (1.0 mm)	Incandescent with Braille	Intermediate Hall Buttons	Graphic Insert: AAA250G1-UPARROW AAA250G1-DNARROW
					Housing: 396KJ1
					Lamp: 424R1
					PC Board: B9693C2 (RS3)
					Target: 323DA5
7069BF33	Raised	0.125 in. (3.2 mm)	Incandescent with Braille	Intermediate Hall Buttons	Graphic Insert: AAA250G1-UPARROW AAA250G1-DNARROW
					Housing: 396KJ4
					Lamp: 424R1
					PC Board: B9693C2 (RS3)
					Target: 323DA5
7069BF36	Raised	0.04 in. (1.0 mm)	Red / Green LED with Braille	Intermediate Hall Buttons	Graphic Insert: AAA250G1-UPARROW AAA250G1-DNARROW
					Housing: 396KJ1
					Lamp: AAA629AY17
					PC Board: AAA26800UG1 (RS3 w/LED)
					Target: 323DA5
7069BF39	Raised	0.04 in. (1.0 mm)	Red / Green LED	Intermediate Hall Buttons	Graphic Insert: 250E25 (Up) 250E26 (Down)
					Housing: 396KJ1
					Lamp: AAA629AY17
					PC Board: AAA26800UG1 (RS3 w/LED)
					Target: 323DA5

**NOTE:** 424R1 incandescent lamps can be replaced by AAA629AY17 if simulated incandescent color is acceptable.  
Other available LED colors are AAA629AY1 = Yellow, AY2 = Red, AY3 = Orange.





## One-Button Module w/Remote Station & Housing, Hall Panel & Flat COP Applications



Part No.	Target	Faceplate Thickness	Illumination	App.	Related Parts
7069BF7	Flush	0.06 in. (1.5 mm)	Incandescent	COP Floor Button (Europe)	Graphic Insert: 250D*
					Housing: 396KJ2
					Lamp: 424R1
					PC Board: B9693C3 (RS3A)
					Target: 323DA1
7069BF13	Flush	0.04 in. (1.0 mm)	Incandescent	Up Hall Button	Graphic Insert: 250E25 (Up)
					Housing: 396KJ1
					Lamp: 424R1
					PC Board: B9693C3 (RS3A)
7069BF15	Flush	0.04 in. (1.0 mm)	Incandescent	Down Hall Button	Graphic Insert: 250E26 (Down)
					Housing: 396KJ1
					Lamp: 424R1
					PC Board: B9693C3 (RS3A)
7069BF18	Flush	0.125 in. (3.2 mm)	Incandescent	Up Hall Button	Graphic Insert: 250E25 (Up)
					Housing: 396KJ4
					Lamp: 424R1
					PC Board: B9693C3 (RS3A)
					Target: 323DA1

**NOTE:** 424R1 incandescent lamps can be replaced by AAA629AY17 if simulated incandescent color is acceptable. Other available LED colors are AAA629AY1 = Yellow, AY2 = Red, AY3 = Orange.



# PUSHBUTTONS

Part No.	Target	Faceplate Thickness	Illumination	App.	Related Parts
7069BF19	Flush	0.125 in. (3.2 mm)	Incandescent	Down Hall Button	Graphic Insert: 250E26 (Down)
					Housing: 396KJ4
					Lamp: 424R1
					PC Board: B9693C3 (RS3A)
					Target: 323DA1
7069BF22	Raised	0.04 in. (1.0 mm)	Incandescent	Up Hall Button	Graphic Insert: 250E25 (Up)
					Housing: 396KJ1
					Lamp: 424R1
					PC Board: B9693C3 (RS3A)
					Target: 323DA5
7069BF23	Raised	0.04 in. (1.0 mm)	Incandescent	Down Hall Button	Graphic Insert: 250E26 (Down)
					Housing: 396KJ1
					Lamp: 424R1
					PC Board: B9693C3 (RS3A)
					Target: 323DA5
7069BF28	Raised	0.04 in. (1.0 mm)	Incandescent with Braille	Up Hall Button	Graphic Insert: AAA250G1-UPARROW
					Housing: 396KJ1
					Lamp: 424R1
					PC Board: B9693C3 (RS3A)
					Target: 323DA5
7069BF29	Raised	0.04 in. (1.0 mm)	Incandescent with Braille	Down Hall Button	Graphic Insert: AAA250G1-DNARROW
					Housing: 396KJ1
					Lamp: 424R1
					PC Board: B9693C3 (RS3A)
					Target: 323DA5
7069BF31	Raised	0.125 in. (3.2 mm)	Incandescent	Up Hall Button	Graphic Insert: AAA250G1-UPARROW
					Housing: 396KJ4
					Lamp: 424R1
					PC Board: B9693C3 (RS3A)
					Target: 323DA5
7069BF32	Raised	0.125 in. (3.2 mm)	Incandescent	Down Hall Button	Graphic Insert: AAA250G1-DNARROW
					Housing: 396KJ4
					Lamp: 424R1
					PC Board: B9693C3 (RS3A)
					Target: 323DA5
7069BF34	Raised	0.04 in. (1.0 mm)	Red / Green LED	Up Hall Button	Graphic Insert: AAA250G1-UPARROW
					Housing: 396KJ1
					Lamp: AAA629AY17
					PC Board: AAA26800UG2 (RS3A w/LED)
					Target: 323DA5

**NOTE:** 424R1 incandescent lamps can be replaced by AAA629AY17 if simulated incandescent color is acceptable.  
Other available LED colors are AAA629AY1 = Yellow, AY2 = Red, AY3 = Orange.

## One-Button Module w/Remote Station & Housing, Hall Panel & Flat COP Applications (continued)

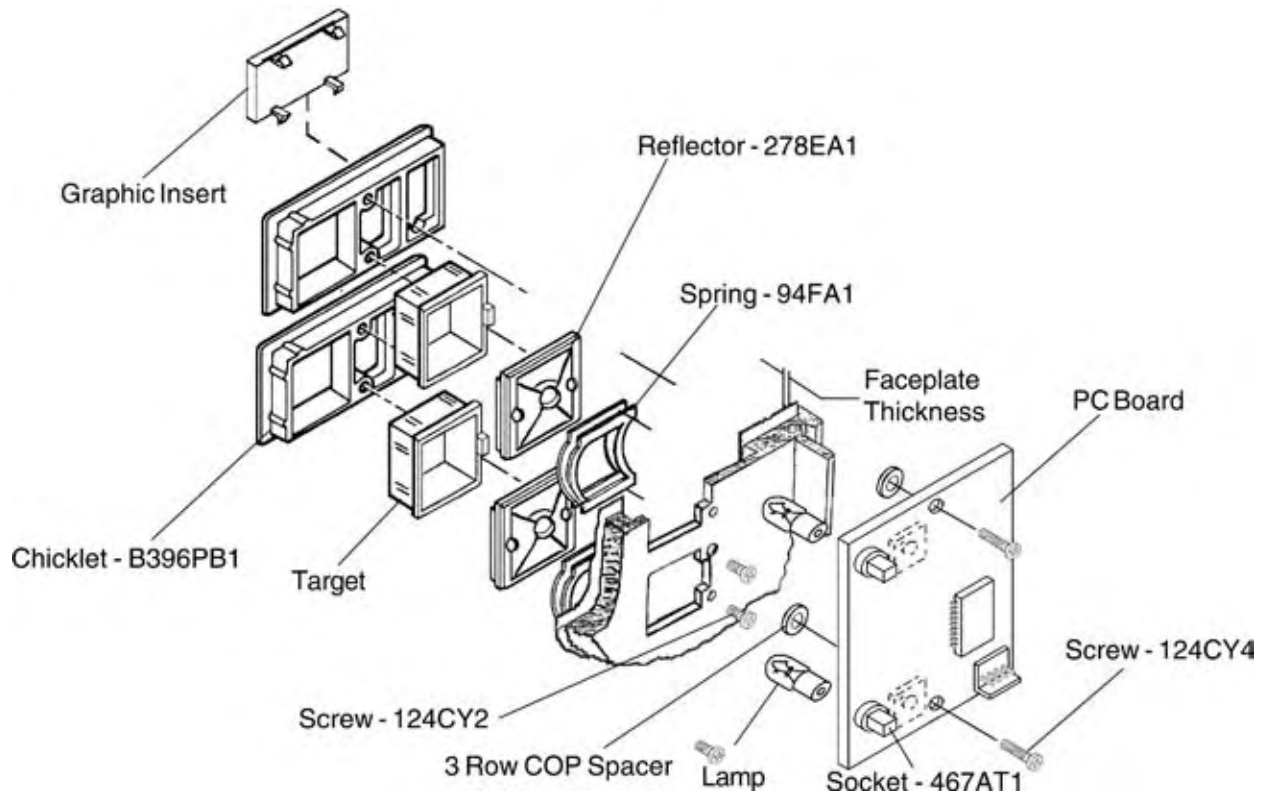
Part No.	Target	Faceplate Thickness	Illumination	App.	Related Parts	
7069BF35	Raised	0.04 in. (1.0 mm)	Red / Green LED	Down Hall Button	Graphic Insert:	AAA250G1-DNARROW
					Housing:	396KJ1
					Lamp:	AAA629AY17
					PC Board:	AAA26800UG2 (RS3A w/LED)
					Target:	323DA5
7069BF37	Raised	0.04 in. (1.0 mm)	Red / Green LED	Up Hall Button	Graphic Insert:	250E25 (Up)
					Housing:	396KJ1
					Lamp:	AAA629AY17
					PC Board:	AAA26800UG2 (RS3A w/LED)
					Target:	323DA5
7069BF38	Raised	0.04 in. (1.0 mm)	Red / Green LED	Down Hall Button	Graphic Insert:	250E26 (Down)
					Housing:	396KJ1
					Lamp:	AAA629AY17
					PC Board:	AAA26800UG2 (RS3A w/LED)
					Target:	323DA5

**NOTE:** 424R1 incandescent lamps can be replaced by AAA629AY17 if simulated incandescent color is acceptable. Other available LED colors are AAA629AY1 = Yellow, AY2 = Red, AY3 = Orange.



# PUSHBUTTONS

## Two-Button Module w/Remote Station, Molded COP Applications



©Otis, February 2011

Part No.	Target	Faceplate Thickness	Illumination	App.	Related Parts
7069BF1	Flush	0.04 in. (1.0 mm)	Incandescent	2-Row COP Floor Button	Graphic Insert: 250D* or AAA250G*
					Lamp: 424R1
					PC Board: B9693C2 (RS3)
					Spacer: None
7069BF2	Flush	0.04 in. (1.0 mm)	Incandescent	2-Row COP Floor Button	Target: 323DA1
					Graphic Insert: 250D* or AAA250G*
					Lamp: 424R1
					PC Board: B9693C2 (RS3)
7069BF9	Flush	0.04 in. (1.0 mm)	Incandescent	3-Row COP Floor Button	Spacer: None
					Target: 323DA1
					Graphic Insert: 250D* or AAA250G*
					Lamp: 424R1
					PC Board: B9693C2 (RS3)
					Spacer: 462GV3
					Target: 323DA1

**NOTE:** 424R1 incandescent lamps can be replaced by AAA629AY17 if simulated incandescent color is acceptable. Other available LED colors are AAA629AY1 = Yellow, AY2 = Red, AY3 = Orange.

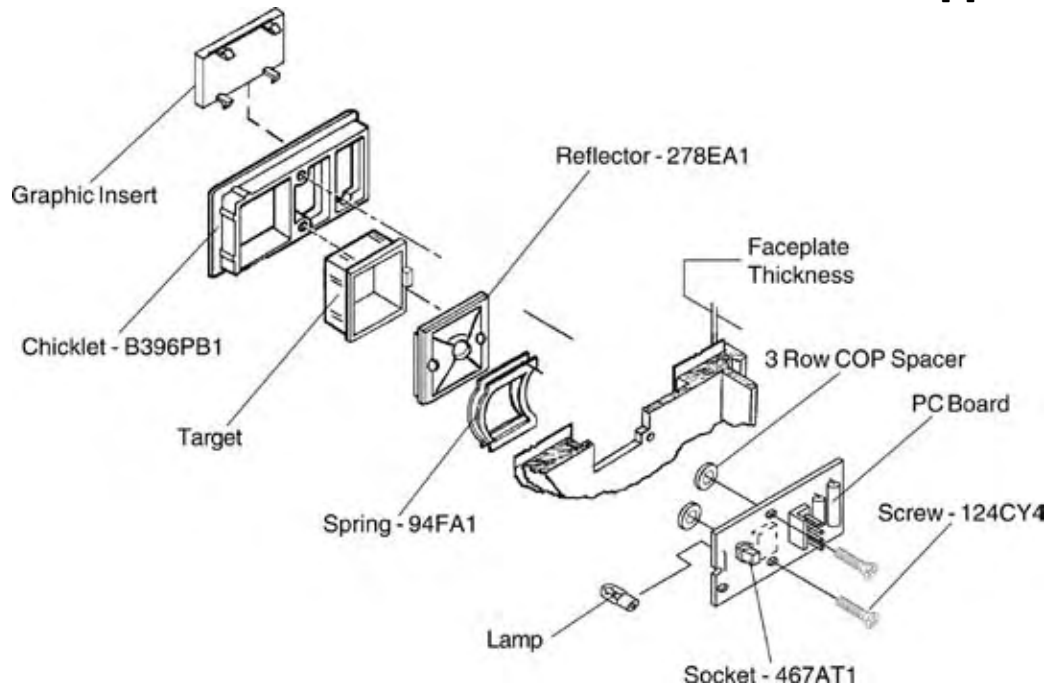
## Two-Button Module w/Remote Station, Molded COP Applications (continued)

Part No.	Target	Faceplate Thickness	Illumination	App.	Related Parts
7069BF10	Flush	0.04 in. (1.0 mm)	Incandescent	3-Row COP Floor Button	Graphic Insert: 250D* or AAA250G*
					Lamp: 424R1
					PC Board: B9693C2 (RS3)
					Spacer: 462GV3
					Target: 323DA1
7069BF14	Flush	0.04 in. (1.0 mm)	Incandescent	3-Row COP Floor Button	Graphic Insert: 250D* or AAA250G*
					Lamp: 424R1
					PC Board: B9693C2 (RS3)
					Spacer: 462GV3
					Target: 323DA1
7069BF40	Raised	0.04 in. (1.0 mm)	Red / Green LED	2-Row COP Floor Button	Graphic Insert: 250D* or AAA250G*
					Lamp: AAA629AY17
					PC Board: AAA26800UG1 (RS3 w/LED)
					Spacer: None
					Target: 323DA5
7069BF3	Flush	0.04 in. (1.0 mm)	Incandescent	2-Row COP Floor Button	Graphic Insert: 250D* or AAA250G*
					Lamp: 424R1
					PC Board: B9693C3 (RS3)
					Spacer: None
					Target: 323DA1
7069BF11	Flush	0.04 in. (1.0 mm)	Incandescent	3-Row COP Floor Button	Graphic Insert: 250D* or AAA250G*
					Lamp: 424R1
					PC Board: B9693C3 (RS3)
					Spacer: 462GV3
					Target: 323DA1
7069BF16	Raised	0.04 in. (1.0 mm)	Incandescent	3-Row COP Floor Button	Graphic Insert: 250D* or AAA250G*
					Lamp: 424R1
					PC Board: B9693C3 (RS3A)
					Spacer: 462GV3
					Target: 323DA5
7069BF41	Raised	0.04 in. (1.0 mm)	Red / Green LED	2-Row COP Floor Button	Graphic Insert: 250D* or AAA250G*
					Lamp: AAA629AY17
					PC Board: AAA26800UG2
					Spacer: None
					Target: 323DA5

**NOTE:** 424R1 incandescent lamps can be replaced by AAA629AY17 if simulated incandescent color is acceptable. Other available LED colors are AAA629AY1 = Yellow, AY2 = Red, AY3 = Orange.

# PUSHBUTTONS

## One-Button Module w/Remote Station, Molded COP Applications



©Otis, February 2011

Part No.	Target	Faceplate Thickness	Illumination	App.	Related Parts
7069BF4	Flush	0.04 in. (1.0 mm)	Incandescent	2-Row COP Floor Button	Graphic Insert: 250D* or AAA250G*
					Lamp: 424R1
					PC Board: 8200KA2
					Spacer: None
7069BF12	Flush	0.04 in. (1.0 mm)	Incandescent	3-Row COP Floor Button	Graphic Insert: 250D* or AAA250G*
					Lamp: 424R1
					PC Board: 8200KA2
					Spacer: 462GV3
7069BF21	Raised	0.04 in. (1.0 mm)	Incandescent	3-Row COP Floor Button	Graphic Insert: 250D* or AAA250G*
					Lamp: 424R1
					PC Board: 8200KA2
					Spacer: 462GV3
7069BF42	Raised	0.04 in. (1.0 mm)	LED	2-Row COP Floor Button	Graphic Insert: 250D* or AAA250G*
					Lamp: On PCB
					PC Board: AAA26800PZ2
					Spacer: None
					Target: 323DA5

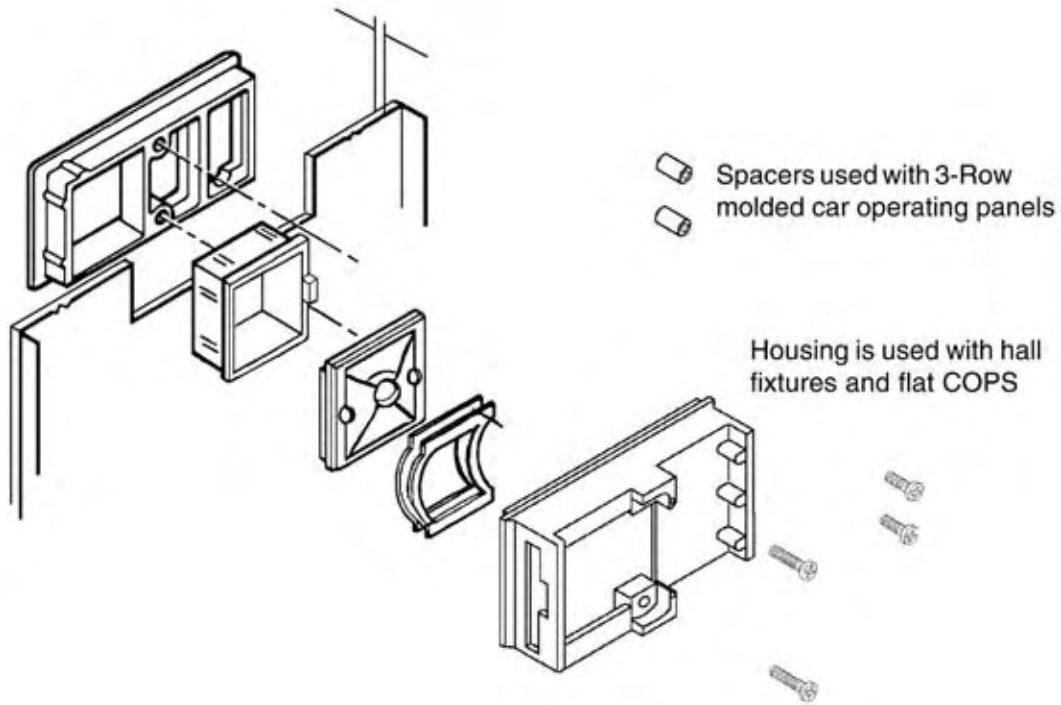
**NOTE:** 424R1 incandescent lamps can be replaced by AAA629AY17 if simulated incandescent color is acceptable.  
Other available LED colors are AAA629AY1 = Yellow, AY2 = Red, AY3 = Orange.

North America: (800) 600 - 6847 • Fax (860) 286 - 1605  
Elsewhere: (860) 286-4573 • lynn.molinaroli@otis.com



## Button Kits

See SPL 31-7069BF



Part No.	Target Color	Faceplate Thickness	Application (Car & Hall)
2700CAK1	White	- - -	MRQ, Car. Without housing.
2700CAK2	White	0.04 in. (1.0 mm)	MRQ, Hall
2700CAK15	White	- - -	MRQ, Car, California. Without housing.
2700CAK16	White	0.06 in. (1.5 mm)	MRQ, Hall, California
2700CAK17	White	0.125 in. (3.2 mm)	MRQ, Hall
2700CAK18	White	0.125 in. (3.2 mm)	MRQ, Hall, California

# PUSHBUTTONS

## AAA23500AK

See SPL 31-AAA23500AK

Fixtures in this group come in four available finishes:

- Brushed Stainless Steel (SS4)
- Mirrored Stainless Steel (SS8)
- Brushed Brass (BR7)
- Mirrored Brass (BR8)

**AAA23500AK:** Micro-Motion III pushbuttons are used with both AMP connectors and screw connectors.

**AAA23500AM:** Pushbuttons are vandal-resistant with stainless steel finish only.

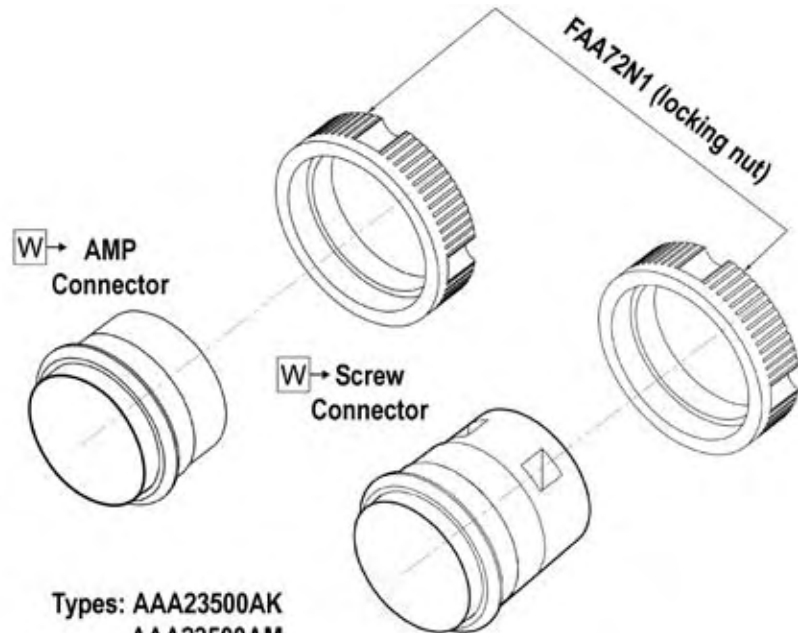
©Otis, February 2011



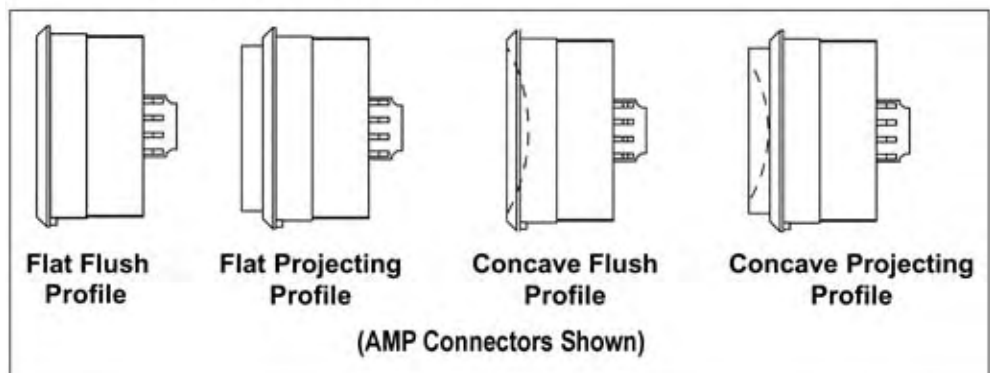
**AAA23500AK Flat Flush Buttons**



**AAA23500AK Flat Projecting Buttons**

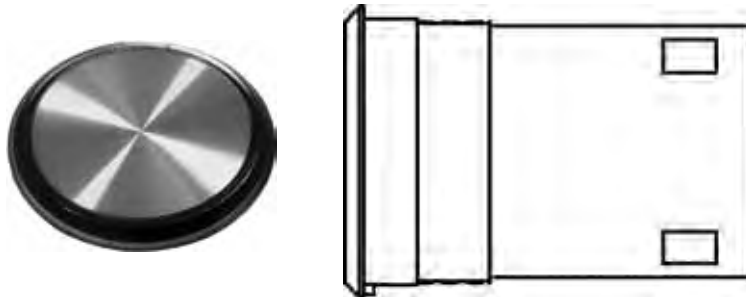


Types: AAA23500AK  
AAA23500AM  
Micro-Motion III Pushbuttons





## Micro-Motion III Pushbuttons: Flat Flush, Screw Connector



### Electrical Rating: 6 VDC

Part Number	Superseding Part Number	Target Finish	LED Color	Ring Body Color	No. of Contacts
AAA23500AK78		Brushed Brass	Non-Illuminating	Yellow	2
AAA23500AK63	→ AAA23500BY7	Brushed Brass	Red	Clear	2
AAA23500AK123	→ AAA23500BY7	Brushed Brass	Red	Clear	1
AAA23500AK76		Brushed Stainless Steel	Non-Illuminating	Yellow	2
AAA23500AK61	→ AAA23500BY5	Brushed Stainless Steel	Red	Clear	2
AAA23500AK121	→ AAA23500BY5	Brushed Stainless Steel	Red	Clear	1
AAA23500AK79		Mirrored Brass	Non-Illuminating	Yellow	2
AAA23500AK64	→ AAA23500BY8	Mirrored Brass	Red	Clear	2
AAA23500AK124		Mirrored Brass	Red	Clear	1
AAA23500AK77		Mirrored Stainless Steel	Non-Illuminating	Yellow	2
AAA23500AK62	→ AAA23500BY6	Mirrored Stainless Steel	Red	Clear	2
AAA23500AK122		Mirrored Stainless Steel	Red	Clear	1
AAA23500AK80		White Plastic*	Non-Illuminating	Yellow	2
AAA23500AK65		White Plastic*	Red	Clear	2

# PUSHBUTTONS

## Electrical Rating: 12 VDC

Part Number	Superseding Part Number	Target Finish	LED Color	Ring Body Color	No. of Contacts
AAA23500AK108		Brushed Brass	Non-Illuminating	Yellow	2
AAA23500AK93	→ AAA23500BY19	Brushed Brass	Red	Clear	2
AAA23500AK131		Brushed Brass	Red	Clear	1
AAA23500AK106		Brushed Stainless Steel	Non-Illuminating	Yellow	2
AAA23500AK94	→ AAA23500BY17	Brushed Stainless Steel	Red	Clear	2
AAA23500AK129	→ AAA23500BY17	Brushed Stainless Steel	Red	Clear	1
AAA23500AK109		Mirrored Brass	Non-Illuminating	Yellow	2
AAA23500AK94	→ AAA23500BY20	Mirrored Brass	Red	Clear	2
AAA23500AK132		Mirrored Brass	Red	Clear	1
AAA23500AK107		Mirrored Stainless Steel	Non-Illuminating	Yellow	2
AAA23500AK92	→ AAA23500BY18	Mirrored Stainless Steel	Red	Clear	2
AAA23500AK130	→ AAA23500BY18	Mirrored Stainless Steel	Red	Clear	1
AAA23500AK110		White Plastic*	Non-Illuminating	Yellow	2
AAA23500AK95		White Plastic*	Red	Clear	2

## Electrical Rating: 30 VDC

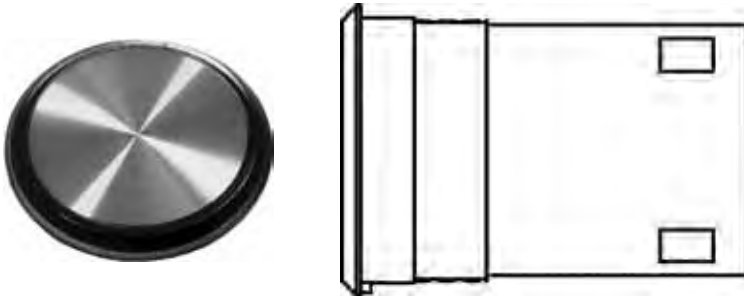
Part Number	Superseding Part Number	Target Finish	LED Color	Ring Body Color	No. of Contacts
AAA23500AK228	→ AAA23500BY39	Brushed Brass	Amber	Clear	1
AAA23500AK226	→ AAA23500BY37	Brushed Stainless Steel	Amber	Clear	1
AAA23500AK229	→ AAA23500BY40	Mirrored Brass	Amber	Clear	1
AAA23500AK227		Mirrored Stainless Steel	Amber	Clear	1

## Electrical Rating: 120 VAC

Part Number	Superseding Part Number	Target Finish	LED Color	Ring Body Color	No. of Contacts
AAA23500AK180		Brushed Brass	Amber	Clear	1
AAA23500AK178		Brushed Stainless Steel	Amber	Clear	1
AAA23500AK181		Mirrored Brass	Amber	Clear	1
AAA23500AK179	→ AAA23500BY42	Mirrored Stainless Steel	Amber	Clear	1



## Micro-Motion III Pushbuttons: Flat Flush, Screw Connector (continued)



### Electrical Rating: 120 VDC

Part Number	Superseding Part Number	Target Finish	LED Color	Ring Body Color	No. of Contacts
AAA23500AK196		Brushed Brass	Amber	Clear	1
AAA23500AK194	→ AAA23500BY45	Brushed Stainless Steel	Amber	Clear	1
AAA23500AK197		Mirrored Brass	Amber	Clear	1
AAA23500AK195		Mirrored Stainless Steel	Amber	Clear	1

### Electrical Rating: 120 V Maximum

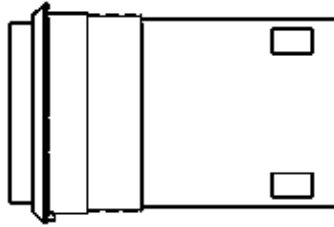
Part Number	Superseding Part Number	Target Finish	LED Color	Ring Body Color	No. of Contacts
AAA23500AK212		Brushed Brass	Non-Illuminating	Clear	2
AAA23500AK210	→ AAA23500BY49	Brushed Stainless Steel	Non-Illuminating	Clear	2
AAA23500AK213		Mirrored Brass	Non-Illuminating	Clear	2
AAA23500AK211		Mirrored Stainless Steel	Non-Illuminating	Clear	2

**NOTE:** 120 V buttons are on restricted availability. See SPL 31-AAA23500BY for high voltage buttons.



# PUSHBUTTONS

## Micro-Motion III Pushbuttons: Flat Projecting, Screw Connector

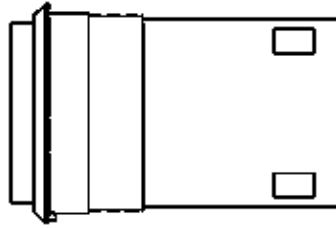


### Electrical Rating: 6 VDC

Part Number	Superseding Part Number	Target Finish	LED Color	Ring Body Color	No. of Contacts
AAA23500AK83		Brushed Brass	Non-Illuminating	Yellow	2
AAA23500AK68	→ AAA23500BY59	Brushed Brass	Red	Clear	2
AAA23500AK127	→ AAA23500BY55	Brushed Brass	Red	Clear	1
AAA23500AK81		Brushed Stainless Steel	Non-Illuminating	Yellow	2
AAA23500AK66	→ AAA23500BY57	Brushed Stainless Steel	Red	Clear	2
AAA23500AK125	→ AAA23500BY57	Brushed Stainless Steel	Red	Clear	1
AAA23500AK84		Mirrored Brass	Non-Illuminating	Yellow	2
AAA23500AK69		Mirrored Brass	Red	Clear	2
AAA23500AK128		Mirrored Brass	Red	Clear	1
AAA23500AK82		Mirrored Stainless Steel	Non-Illuminating	Yellow	2
AAA23500AK67	→ AAA23500BY58	Mirrored Stainless Steel	Red	Clear	2
AAA23500AK126		Mirrored Stainless Steel	Red	Clear	1



## Micro-Motion III Pushbuttons: Flat Projecting, Screw Connector (continued)



### Electrical Rating: 12 VDC

Part Number	Superseding Part Number	Target Finish	LED Color	Ring Body Color	No. of Contacts
AAA23500AK113		Brushed Brass	Non-Illuminating	Yellow	2
AAA23500AK98	→ AAA23500BY71	Brushed Brass	Red	Clear	2
AAA23500AK135	→ AAA23500BY71	Brushed Brass	Red	Clear	1
AAA23500AK111		Brushed Stainless Steel	Non-Illuminating	Clear	1
AAA23500AK96		Brushed Stainless Steel	Red	Clear	2
AAA23500AK133		Brushed Stainless Steel	Red	Clear	1
AAA23500AK114		Mirrored Brass	Non-Illuminating	Yellow	2
AAA23500AK99		Mirrored Brass	Red	Clear	2
AAA23500AK136		Mirrored Brass	Red	Clear	1
AAA23500AK112		Mirrored Stainless Steel	Non-Illuminating	Yellow	2
AAA23500AK97		Mirrored Stainless Steel	Red	Clear	2
AAA23500AK134		Mirrored Stainless Steel	Red	Clear	1

### Electrical Rating: 30 VDC

Part Number	Superseding Part Number	Target Finish	LED Color	Ring Body Color	No. of Contacts
AAA23500AK232	→ AAA23500BY92	Brushed Brass	Amber	Clear	1
AAA23500AK230		Brushed Stainless Steel	Amber	Clear	1
AAA23500AK233	→ AAA23500BY91	Mirrored Brass	Amber	Clear	1
AAA23500AK231		Mirrored Stainless Steel	Amber	Clear	1

# PUSHBUTTONS

## Electrical Rating: 120 VAC

Part Number	Superseding Part Number	Target Finish	LED Color	Ring Body Color	No. of Contacts
AAA23500AK184 →	AAA23500BY95	Brushed Brass	Amber	Clear	1
AAA23500AK182 →	AAA23500BY93	Brushed Stainless Steel	Amber	Clear	1
AAA23500AK185		Mirrored Brass	Amber	Clear	1
AAA23500AK183		Mirrored Stainless Steel	Amber	Clear	1

## Electrical Rating: 120 VDC

Part Number	Superseding Part Number	Target Finish	LED Color	Ring Body Color	No. of Contacts
AAA23500AK200 →	AAA23500BY99	Brushed Brass	Amber	Clear	1
AAA23500AK198		Brushed Stainless Steel	Amber	Clear	1
AAA23500AK201		Mirrored Brass	Amber	Clear	1
AAA23500AK199		Mirrored Stainless Steel	Amber	Clear	1

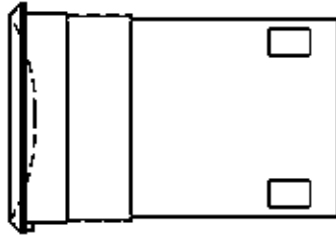
## Electrical Rating: 120 V Maximum

Part Number	Superseding Part Number	Target Finish	LED Color	Ring Body Color	No. of Contacts
AAA23500AK216		Brushed Brass	Non-Illuminating	Clear	2
AAA23500AK214 →	AAA23500BY101	Brushed Stainless Steel	Non-Illuminating	Clear	2
AAA23500AK217		Mirrored Brass	Non-Illuminating	Clear	2
AAA23500AK215		Mirrored Stainless Steel	Non-Illuminating	Clear	2

**NOTE:** 120 V buttons are on restricted availability. See SPL 31-AAA23500BY for high voltage buttons.



## Micro-Motion III Pushbuttons: Concave Flush, Screw Connector



### Electrical Rating: 6 VDC

Part Number	Superseding Part Number	Target Finish	LED Color	Ring Body Color	No. of Contacts
AAA23500AK88		Brushed Brass	Non-Illuminating	Yellow	2
AAA23500AK73		Brushed Brass	Red	Clear	2
AAA23500AK164		Brushed Brass	Red	Clear	1
AAA23500AK86		Brushed Stainless Steel	Non-Illuminating	Yellow	2
AAA23500AK71		Brushed Stainless Steel	Red	Clear	2
AAA23500AK162		Brushed Stainless Steel	Red	Clear	1
AAA23500AK89	→ AAA23500BY116	Mirrored Brass	Non-Illuminating	Yellow	2
AAA23500AK74		Mirrored Brass	Red	Clear	2
AAA23500AK165	→ AAA23500BY108	Mirrored Brass	Red	Clear	1
AAA23500AK87		Mirrored Stainless Steel	Non-Illuminating	Yellow	2
AAA23500AK72	→ AAA23500BY110	Mirrored Stainless Steel	Red	Clear	2
AAA23500AK163		Mirrored Stainless Steel	Red	Clear	1

### Electrical Rating: 12 VDC

Part Number	Superseding Part Number	Target Finish	LED Color	Ring Body Color	No. of Contacts
AAA23500AK118		Brushed Brass	Non-Illuminating	Yellow	2
AAA23500AK103		Brushed Brass	Red	Clear	2
AAA23500AK172		Brushed Brass	Red	Clear	1
AAA23500AK116	→ AAA23500BY125	Brushed Stainless Steel	Non-Illuminating	Yellow	2
AAA23500AK101	→ AAA23500BY121	Brushed Stainless Steel	Red	Clear	2
AAA23500AK170	→ AAA23500BY170	Brushed Stainless Steel	Red	Clear	1
AAA23500AK119		Mirrored Brass	Non-Illuminating	Yellow	2
AAA23500AK104		Mirrored Brass	Red	Clear	2
AAA23500AK173		Mirrored Brass	Red	Clear	1
AAA23500AK117		Mirrored Stainless Steel	Non-Illuminating	Yellow	2
AAA23500AK102		Mirrored Stainless Steel	Red	Clear	2
AAA23500AK171		Mirrored Stainless Steel	Red	Clear	1

# PUSHBUTTONS

## Electrical Rating: 120 VAC

Part Number	Superseding Part Number	Target Finish	LED Color	Ring Body Color	No. of Contacts
AAA23500AK188		Brushed Brass	Amber	Clear	1
AAA23500AK186		Brushed Stainless Steel	Amber	Clear	1
AAA23500AK189		Mirrored Brass	Amber	Clear	1
AAA23500AK187	→ AAA23500BY142	Mirrored Stainless Steel	Amber	Clear	1

## Electrical Rating: 120 VDC

Part Number	Target Finish	LED Color	Ring Body Color	No. of Contacts
AAA23500AK204	Brushed Brass	Amber	Clear	1
AAA23500AK202	Brushed Stainless Steel	Amber	Clear	1
AAA23500AK205	Mirrored Brass	Amber	Clear	1
AAA23500AK203	Mirrored Stainless Steel	Amber	Clear	1

## Electrical Rating: 120 V Maximum

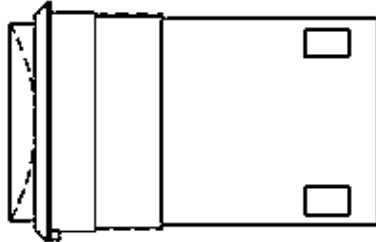
Part Number	Target Finish	LED Color	Ring Body Color	No. of Contacts
AAA23500AK220	Brushed Brass	Non-Illuminating	Clear	2
AAA23500AK218	Brushed Stainless Steel	Non-Illuminating	Clear	2
AAA23500AK221	Mirrored Brass	Non-Illuminating	Clear	2
AAA23500AK219	Mirrored Stainless Steel	Non-Illuminating	Clear	2

**NOTE:** 120 V buttons are on restricted availability. See SPL 31-AAA23500BY for high voltage buttons.





## Micro-Motion III Pushbuttons: Concave Projecting, Screw Connector



### Electrical Rating: 6 VDC

Part Number	Target Finish	LED Color	Ring Body Color	No. of Contacts
AAA23500AK154	Brushed Brass	Red	Clear	2
AAA23500AK168	Brushed Brass	Red	Clear	1
AAA23500AK152	Brushed Stainless Steel	Red	Clear	2
AAA23500AK166	Brushed Stainless Steel	Red	Clear	1
AAA23500AK155	Mirrored Brass	Red	Clear	2
AAA23500AK169	Mirrored Brass	Red	Clear	1
AAA23500AK153	Mirrored Stainless Steel	Red	Clear	2
AAA23500AK167	Mirrored Stainless Steel	Red	Clear	1

### Electrical Rating: 12 VDC

Part Number	Target Finish	LED Color	Ring Body Color	No. of Contacts
AAA23500AK159	Brushed Brass	Red	Clear	2
AAA23500AK176	Brushed Brass	Red	Clear	1
AAA23500AK157	Brushed Stainless Steel	Red	Clear	2
AAA23500AK174	Brushed Stainless Steel	Red	Clear	1
AAA23500AK160	Mirrored Brass	Red	Clear	2
AAA23500AK177	Mirrored Brass	Red	Clear	1
AAA23500AK158	Mirrored Stainless Steel	Red	Clear	2
AAA23500AK175	Mirrored Stainless Steel	Red	Clear	1



# PUSHBUTTONS

## Electrical Rating: 120 VAC

Part Number	Target Finish	LED Color	Ring Body Color	No. of Contacts
AAA23500AK192	Brushed Brass	Amber	Clear	2 (Type 2)
AAA23500AK190	Brushed Stainless Steel	Amber	Clear	2 (Type 2)
AAA23500AK193	Mirrored Brass	Amber	Clear	2 (Type 2)
AAA23500AK191	Mirrored Stainless Steel	Amber	Clear	2 (Type 2)

## Electrical Rating: 120 VDC

Part Number	Target Finish	LED Color	Ring Body Color	No. of Contacts
AAA23500AK208	Brushed Brass	Amber	Clear	1 (Type 2)
AAA23500AK206	Brushed Stainless Steel	Amber	Clear	1 (Type 2)
AAA23500AK209	Mirrored Brass	Amber	Clear	1 (Type 2)
AAA23500AK207	Mirrored Stainless Steel	Amber	Clear	1 (Type 2)

## Electrical Rating: 120 V Maximum

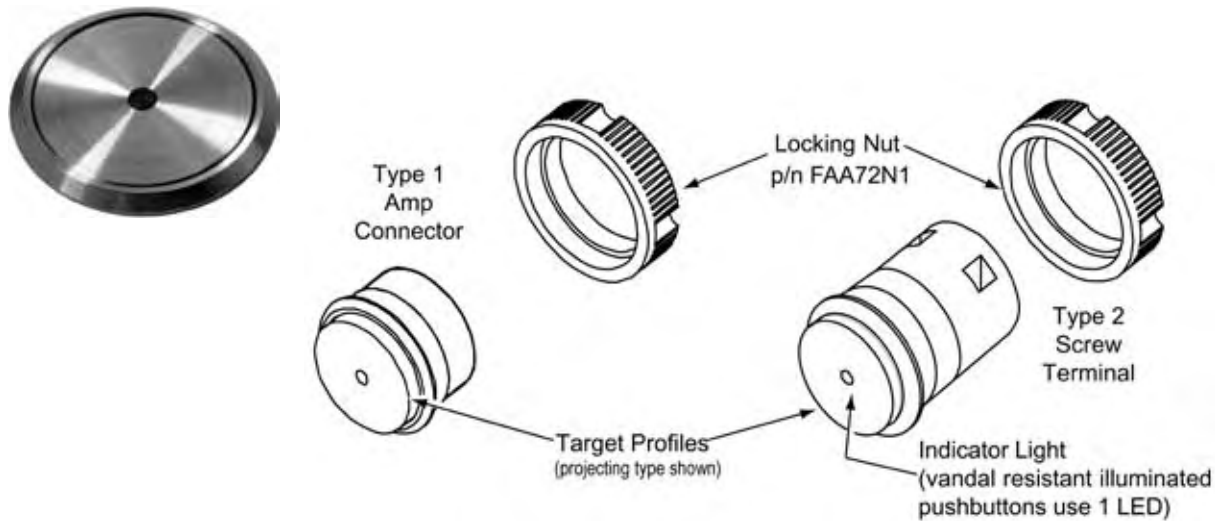
Part Number	Target Finish	LED Color	Ring Body Color	No. of Contacts
AAA23500AK224	Brushed Brass	Non-Illuminating	Clear	2 (Type 2)
AAA23500AK222	Brushed Stainless Steel	Non-Illuminating	Clear	2 (Type 2)
AAA23500AK225	Mirrored Brass	Non-Illuminating	Clear	2 (Type 2)
AAA23500AK223	Mirrored Stainless Steel	Non-Illuminating	Clear	2 (Type 2)



## AAA23500AM

See SPL 31-AAA23500AK

### Micro-Motion III Pushbuttons: Flat Flush, Screw Connector



#### Electrical Rating: 6 VDC

Part Number	Target Finish	LED Color	No. of Contacts
AAA23500AM7	Stainless Steel	Red	1 (Type 2)
AAA23500AM13	Stainless Steel	Red	2 (Type 2)

#### Electrical Rating: 30 VDC

Part Number	Target Finish	LED Color	No. of Contacts
AAA23500AM37	Stainless Steel	Amber	1 (Type 2)

#### Electrical Rating: 120 VAC

Part Number	Target Finish	LED Color	No. of Contacts
AAA23500AM25	Stainless Steel	Amber	1 (Type 2)

#### Electrical Rating: 120 VDC

Part Number	Target Finish	LED Color	No. of Contacts
AAA23500AM29	Stainless Steel	Amber	1 (Type 2)

#### Electrical Rating: 120 V Maximum

Part Number	Target Finish	LED Color	No. of Contacts
AAA23500AM33	Stainless Steel	Non-Illuminating	2 (Type 2)



# PUSHBUTTONS

## Micro-Motion III Pushbuttons: Flat Flush, Amp Connector

### Electrical Rating: 24 VDC

Part Number	Target Finish	LED Color
AAA23500AM1	Stainless Steel	Red
AAA23500AM4	Stainless Steel	Non-Illuminating

## Micro-Motion III Pushbuttons: Flat Projecting, Screw Connector

### Electrical Rating: 6 VDC

Part Number	Target Finish	LED Color	No. of Contacts
AAA23500AM8	Stainless Steel	Red	1 (Type 2)
AAA23500AM14	Stainless Steel	Red	2 (Type 2)

### Electrical Rating: 12 VDC

Part Number	Target Finish	LED Color	No. of Contacts
AAA23500AM11	Stainless Steel	Red	1 (Type 2)
AAA23500AM17	Stainless Steel	Red	2 (Type 2)

### Electrical Rating: 30 VDC

Part Number	Target Finish	LED Color	No. of Contacts
AAA23500AM38	Stainless Steel	Amber	1 (Type 2)

### Electrical Rating: 120 VAC

Part Number	Target Finish	LED Color	No. of Contacts
AAA23500AM26	Stainless Steel	Amber	1 (Type 2)

### Electrical Rating: 120 VDC

Part Number	Target Finish	LED Color	No. of Contacts
AAA23500AM30	Stainless Steel	Amber	1 (Type 2)

### Electrical Rating: 120 V Maximum

Part Number	Target Finish	LED Color	No. of Contacts
AAA23500AM34	Stainless Steel	Non-Illuminating	2 (Type 2)



## Micro-Motion III Pushbuttons: Flat Projecting, Amp Connector



### Electrical Rating: 24 VDC

Part Number	Target Finish	LED Color
AAA23500AM2	Stainless Steel	Red
AAA23500AM5	Stainless Steel	Non-Illuminating

## Micro-Motion III Pushbuttons: Concave Flush, Screw Connector

### Electrical Rating: 6 VDC

Part Number	Target Finish	LED Color	No. of Contacts
AAA23500AM9	Stainless Steel	Red	1 (Type 2)
AAA23500AM15	Stainless Steel	Red	2 (Type 2)

### Electrical Rating: 12 VDC

Part Number	Target Finish	LED Color	No. of Contacts
AAA23500AM12	Stainless Steel	Red	1 (Type 2)
AAA23500AM18	Stainless Steel	Red	2 (Type 2)

### Electrical Rating: 120 VAC

Part Number	Target Finish	LED Color	No. of Contacts
AAA23500AM27	Stainless Steel	Amber	1 (Type 2)

### Electrical Rating: 120 VDC

Part Number	Target Finish	LED Color	No. of Contacts
AAA23500AM31	Stainless Steel	Amber	1 (Type 2)

### Electrical Rating: 120 V Maximum

Part Number	Target Finish	LED Color	No. of Contacts
AAA23500AM35	Stainless Steel	Non-Illuminating	2 (Type 2)



# PUSHBUTTONS

## Micro-Motion III Pushbuttons: Concave Flush, Amp Connector

**Electrical Rating: 24 VDC**

Part Number	Target Finish	LED Color
AAA23500AM3	Stainless Steel	Red
AAA23500AM6	Stainless Steel	Non-Illuminating

## Micro-Motion III Pushbuttons: Concave Projecting, Screw Connector

**Electrical Rating: 6 VDC**

Part Number	Target Finish	LED Color	No. of Contacts
AAA23500AM23	Stainless Steel	Red	1 (Type 2)
AAA23500AM21	Stainless Steel	Red	2 (Type 2)

**Electrical Rating: 12 VDC**

Part Number	Target Finish	LED Color	No. of Contacts
AAA23500AM24	Stainless Steel	Red	1 (Type 2)
AAA23500AM22	Stainless Steel	Red	2 (Type 2)

**Electrical Rating: 120 VAC**

Part Number	Target Finish	LED Color	No. of Contacts
AAA23500AM28	Stainless Steel	Amber	1 (Type 2)

**Electrical Rating: 120 VDC**

Part Number	Target Finish	LED Color	No. of Contacts
AAA23500AM32	Stainless Steel	Amber	1 (Type 2)

**Electrical Rating: 120 V Maximum**

Part Number	Target Finish	LED Color	No. of Contacts
AAA23500AM36	Stainless Steel	Non-Illuminating	2 (Type 2)

## Micro-Motion III Pushbuttons: Concave Projecting, Amp Connector

**Electrical Rating: 24 VDC**

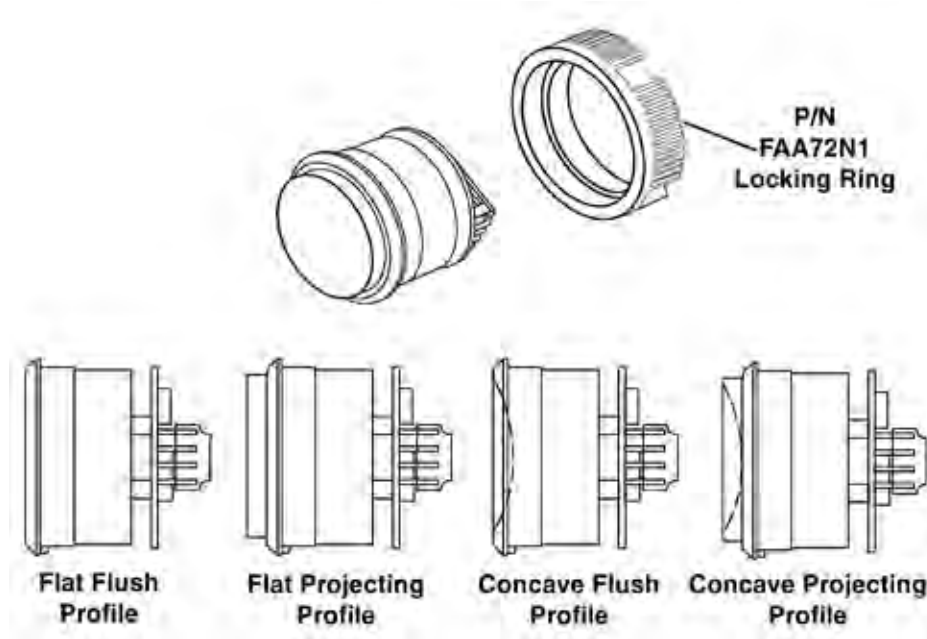
Part Number	Target Finish	LED Color
AAA23500AM19	Stainless Steel	Red
AAA23500AM20	Stainless Steel	Non-Illuminating



## AAA23500AQ

Refer to SPL 31-AAA23500AQ

### Motionless II Pushbutton, Luxury Fixtures, Flat Flush



© Otis, February 2011

#### Electrical Rating: 24 VDC

Part Number	Target Finish	LED Color
AAA23500AQ20	Mirrored Bronze	Green
AAA23500AQ4	Mirrored Bronze	Red
AAA23500AQ18	Mirrored Stainless Steel	Green
AAA23500AQ2	Mirrored Stainless Steel	Red
AAA23500AQ19	Satin Bronze	Green
AAA23500AQ3	Satin Bronze	Red
AAA23500AQ17	Satin Stainless Steel	Green
AAA23500AQ1	Satin Stainless Steel	Red

# ***PUSHBUTTONS***

## **Motionless II Pushbutton, Luxury Fixtures, Flat Projecting**

**Electrical Rating: 24 VDC**

<b>Part Number</b>	<b>Target Finish</b>	<b>LED Color</b>
AAA23500AQ24	Mirrored Bronze	Green
AAA23500AQ8	Mirrored Bronze	Red
AAA23500AQ22	Mirrored Stainless Steel	Green
AAA23500AQ6	Mirrored Stainless Steel	Red
AAA23500AQ23	Satin Bronze	Green
AAA23500AQ7	Satin Bronze	Red
AAA23500AQ21	Satin Stainless Steel	Green
AAA23500AQ5	Satin Stainless Steel	Red

©Otis, February 2011

## **Motionless II Pushbutton, Luxury Fixtures, Concave Flush**

**Electrical Rating: 24 VDC**

<b>Part Number</b>	<b>Target Finish</b>	<b>LED Color</b>
AAA23500AQ28	Mirrored Bronze	Green
AAA23500AQ12	Mirrored Bronze	Red
AAA23500AQ26	Mirrored Stainless Steel	Green
AAA23500AQ10	Mirrored Stainless Steel	Red
AAA23500AQ27	Satin Bronze	Green
AAA23500AQ11	Satin Bronze	Red
AAA23500AQ25	Satin Stainless Steel	Green
AAA23500AQ9	Satin Stainless Steel	Red







## Motionless II Pushbutton, Luxury Fixtures, Concave Projecting

**Electrical Rating: 24 VDC**

Part Number	Target Finish	LED Color
AAA23500AQ32	Mirrored Bronze	Green
AAA23500AQ16	Mirrored Bronze	Red
AAA23500AQ30	Mirrored Stainless Steel	Green
AAA23500AQ14	Mirrored Stainless Steel	Red
AAA23500AQ31	Satin Bronze	Green
AAA23500AQ15	Satin Bronze	Red
AAA23500AQ29	Satin Stainless Steel	Green
AAA23500AQ13	Satin Stainless Steel	Red

© Otis, February 2011



North America: (800) 600 - 6847 • Fax (860) 286 - 1605  
Elsewhere: (860) 286-4573 • [lynn.molinaroli@otis.com](mailto:lynn.molinaroli@otis.com)

# PUSHBUTTONS

## AAA23500BY

Fixtures in this group come in four available finishes:

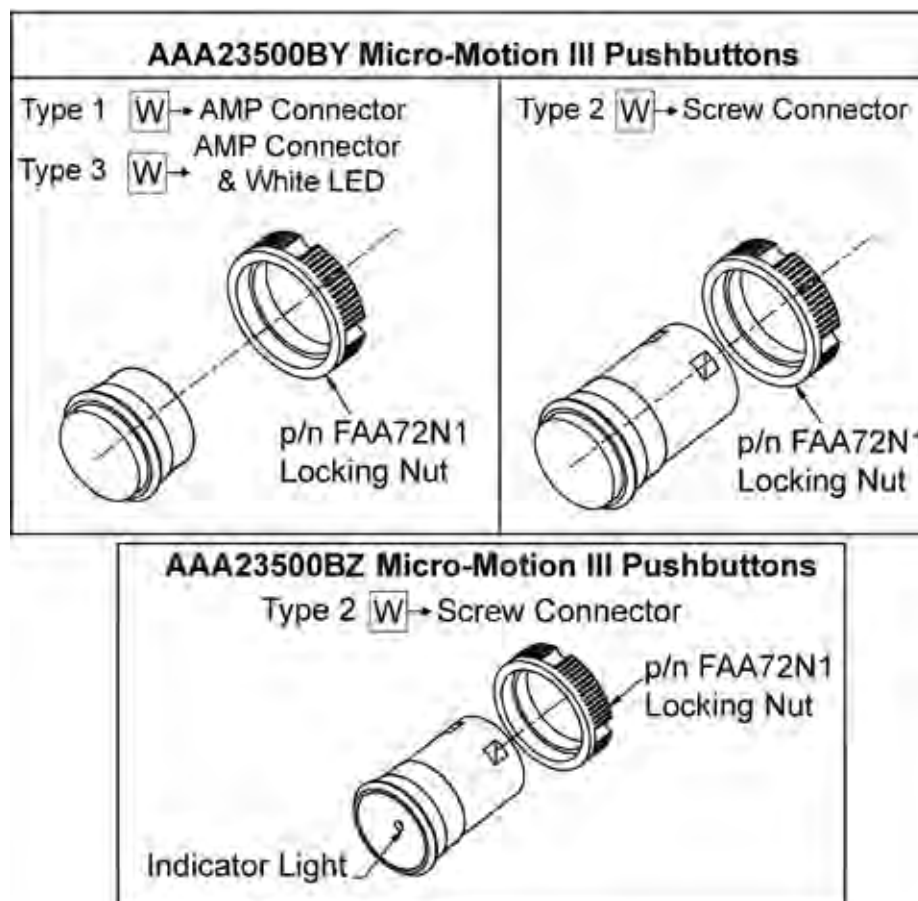
- Brushed Stainless Steel (SS4)
- Mirrored Stainless Steel (SS8)
- Brushed Brass (BR7)
- Mirrored Brass (BR8)

**AAA23500BY:** Micro-motion III pushbuttons come in three varieties:

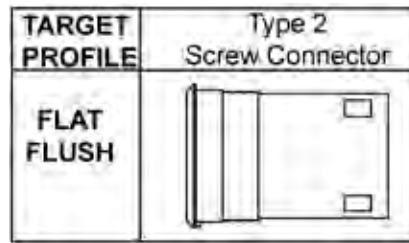
- Type 1 pushbuttons use amp connectors
- Type 2 pushbuttons use screw connector.
- Type 3 pushbuttons used amp connectors and have white LEDs.

**AAA23500BZ:** Pushbuttons are only available with screw connectors (type 2).

**NOTE:** Order FAA72N1 locking nuts separately because they are not provided with the buttons.



## Micro-Motion III Pushbuttons: Flat Flush, Screw Connector



### Electrical Rating: 6 VDC

Part Number	Target Finish	LED Color	Ring Body Color	No. of Contacts
AAA23500BY11	Brushed Brass	Non-Illuminating	Yellow	2
AAA23500BY3	Brushed Brass	Red	Clear	1
AAA23500BY7	Brushed Brass	Red	Clear	2
AAA23500BY9	Brushed Stainless Steel	Non-Illuminating	Yellow	2
AAA23500BY1	Brushed Stainless Steel	Red	Clear	1
AAA23500BY5	Brushed Stainless Steel	Red	Clear	2
AAA23500BY12	Mirrored Brass	Non-Illuminating	Yellow	2
AAA23500BY4	Mirrored Brass	Red	Clear	1
AAA23500BY8	Mirrored Brass	Red	Clear	2
AAA23500BY10	Mirrored Stainless Steel	Non-Illuminating	Yellow	2
AAA23500BY2	Mirrored Stainless Steel	Red	Clear	1
AAA23500BY6	Mirrored Stainless Steel	Red	Clear	2

### Electrical Rating: 12 VDC

Part Number	Target Finish	LED Color	Ring Body Color	No. of Contacts
AAA23500BY23	Brushed Brass	Non-Illuminating	Yellow	2
AAA23500BY15	Brushed Brass	Red	Clear	1
AAA23500BY19	Brushed Brass	Red	Clear	2
AAA23500BY21	Brushed Stainless Steel	Non-Illuminating	Yellow	2
AAA23500BY13	Brushed Stainless Steel	Red	Clear	1
AAA23500BY17	Brushed Stainless Steel	Red	Clear	2
AAA23500BY24	Mirrored Brass	Non-Illuminating	Yellow	2
AAA23500BY16	Mirrored Brass	Red	Clear	1
AAA23500BY20	Mirrored Brass	Red	Clear	2
AAA23500BY22	Mirrored Stainless Steel	Non-Illuminating	Yellow	2
AAA23500BY14	Mirrored Stainless Steel	Red	Clear	1
AAA23500BY18	Mirrored Stainless Steel	Red	Clear	2



# PUSHBUTTONS

## Electrical Rating: 30 VDC

Part Number	Target Finish	LED Color	Ring Body Color	No. of Contacts
AAA23500BY39	Brushed Brass	Amber	Clear	1
AAA23500BY37	Brushed Stainless Steel	Amber	Clear	1
AAA23500BY40	Mirrored Brass	Amber	Clear	1
AAA23500BY38	Mirrored Stainless Steel	Amber	Clear	1

## Electrical Rating: 120 VAC

Part Number	Target Finish	LED Color	Ring Body Color	No. of Contacts
AAA23500BY43	Brushed Brass	Amber	Clear	1
AAA23500BY41	Brushed Stainless Steel	Amber	Clear	1
AAA23500BY44	Mirrored Brass	Amber	Clear	1
AAA23500BY42	Mirrored Stainless Steel	Amber	Clear	1

## Electrical Rating: 120 VDC

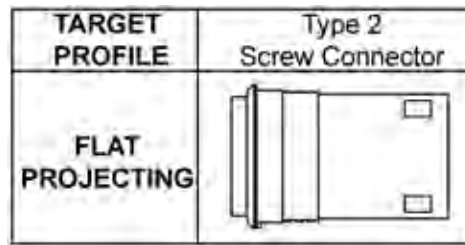
Part Number	Target Finish	LED Color	Ring Body Color	No. of Contacts
AAA23500BY47	Brushed Brass	Amber	Clear	1
AAA23500BY45	Brushed Stainless Steel	Amber	Clear	1
AAA23500BY48	Mirrored Brass	Amber	Clear	1
AAA23500BY46	Mirrored Stainless Steel	Amber	Clear	1

## Electrical Rating: 120 V Max

Part Number	Target Finish	LED Color	Ring Body Color	No. of Contacts
AAA23500BY51	Brushed Brass	Non-Illuminating	Clear	2
AAA23500BY49	Brushed Stainless Steel	Non-Illuminating	Clear	2
AAA23500BY52	Mirrored Brass	Non-Illuminating	Clear	2
AAA23500BY50	Mirrored Stainless Steel	Non-Illuminating	Clear	2



## Micro-Motion III Pushbuttons: Flat Projecting, Screw Connector



### Electrical Rating: 6 VDC

Part Number	Target Finish	LED Color	Ring Body Color	No. of Contacts
AAA23500BY63	Brushed Brass	Non-Illuminating	Yellow	2
AAA23500BY55	Brushed Brass	Red	Clear	1
AAA23500BY59	Brushed Brass	Red	Clear	2
AAA23500BY61	Brushed Stainless Steel	Non-Illuminating	Yellow	2
AAA23500BY53	Brushed Stainless Steel	Red	Clear	1
AAA23500BY57	Brushed Stainless Steel	Red	Clear	2
AAA23500BY64	Mirrored Brass	Non-Illuminating	Yellow	2
AAA23500BY56	Mirrored Brass	Red	Clear	1
AAA23500BY60	Mirrored Brass	Red	Clear	2
AAA23500BY62	Mirrored Stainless Steel	Non-Illuminating	Yellow	2
AAA23500BY54	Mirrored Stainless Steel	Red	Clear	1
AAA23500BY58	Mirrored Stainless Steel	Red	Clear	2

### Electrical Rating: 12 VDC

Part Number	Target Finish	LED Color	Ring Body Color	No. of Contacts
AAA23500BY75	Brushed Brass	Non-Illuminating	Yellow	2
AAA23500BY67	Brushed Brass	Red	Clear	1
AAA23500BY71	Brushed Brass	Red	Clear	2
AAA23500BY73	Brushed Stainless Steel	Non-Illuminating	Yellow	2
AAA23500BY65	Brushed Stainless Steel	Red	Clear	1
AAA23500BY69	Brushed Stainless Steel	Red	Clear	2
AAA23500BY76	Mirrored Brass	Non-Illuminating	Yellow	2
AAA23500BY68	Mirrored Brass	Red	Clear	1
AAA23500BY72	Mirrored Brass	Red	Clear	2
AAA23500BY74	Mirrored Stainless Steel	Non-Illuminating	Yellow	2
AAA23500BY66	Mirrored Stainless Steel	Red	Clear	1
AAA23500BY70	Mirrored Stainless Steel	Red	Clear	2

# PUSHBUTTONS

## Electrical Rating: 30 VDC

Part Number	Target Finish	LED Color	Ring Body Color	No. of Contacts
AAA23500BY91	Brushed Brass	Amber	Clear	1
AAA23500BY89	Brushed Stainless Steel	Amber	Clear	1
AAA23500BY92	Mirrored Brass	Amber	Clear	1
AAA23500BY90	Mirrored Stainless Steel	Amber	Clear	1

## Electrical Rating: 120 VAC

Part Number	Target Finish	LED Color	Ring Body Color	No. of Contacts
AAA23500BY95	Brushed Brass	Amber	Clear	1
AAA23500BY93	Brushed Stainless Steel	Amber	Clear	1
AAA23500BY96	Mirrored Brass	Amber	Clear	1
AAA23500BY94	Mirrored Stainless Steel	Amber	Clear	1

## Electrical Rating: 120 VDC

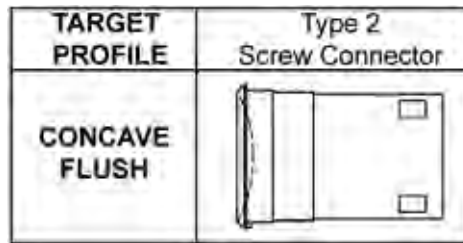
Part Number	Target Finish	LED Color	Ring Body Color	No. of Contacts
AAA23500BY99	Brushed Brass	Amber	Clear	1
AAA23500BY97	Brushed Stainless Steel	Amber	Clear	1
AAA23500BY100	Mirrored Brass	Amber	Clear	1
AAA23500BY98	Mirrored Stainless Steel	Amber	Clear	1

## Electrical Rating: 120 V Max

Part Number	Target Finish	LED Color	Ring Body Color	No. of Contacts
AAA23500BY103	Brushed Brass	Non-Illuminating	Clear	2
AAA23500BY101	Brushed Stainless Steel	Non-Illuminating	Clear	2
AAA23500BY104	Mirrored Brass	Non-Illuminating	Clear	2
AAA23500BY102	Mirrored Stainless Steel	Non-Illuminating	Clear	2



## Micro-Motion III Pushbuttons: Concave Flush, Screw Connector



### Electrical Rating: 6 VDC

Part Number	Target Finish	LED Color	Ring Body Color	No. of Contacts
AAA23500BY115	Brushed Brass	Non-Illuminating	Yellow	2
AAA23500BY107	Brushed Brass	Red	Clear	1
AAA23500BY111	Brushed Brass	Red	Clear	2
AAA23500BY113	Brushed Stainless Steel	Non-Illuminating	Yellow	2
AAA23500BY105	Brushed Stainless Steel	Red	Clear	1
AAA23500BY109	Brushed Stainless Steel	Red	Clear	2
AAA23500BY116	Mirrored Brass	Non-Illuminating	Yellow	2
AAA23500BY108	Mirrored Brass	Red	Clear	1
AAA23500BY112	Mirrored Brass	Red	Clear	2
AAA23500BY114	Mirrored Stainless Steel	Non-Illuminating	Yellow	2
AAA23500BY106	Mirrored Stainless Steel	Red	Clear	1
AAA23500BY110	Mirrored Stainless Steel	Red	Clear	2

### Electrical Rating: 12 VDC

Part Number	Target Finish	LED Color	Ring Body Color	No. of Contacts
AAA23500BY127	Brushed Brass	Non-Illuminating	Yellow	2
AAA23500BY119	Brushed Brass	Red	Clear	1
AAA23500BY123	Brushed Brass	Red	Clear	2
AAA23500BY125	Brushed Stainless Steel	Non-Illuminating	Yellow	2
AAA23500BY117	Brushed Stainless Steel	Red	Clear	1
AAA23500BY121	Brushed Stainless Steel	Red	Clear	2
AAA23500BY128	Mirrored Brass	Non-Illuminating	Yellow	2
AAA23500BY120	Mirrored Brass	Red	Clear	1
AAA23500BY124	Mirrored Brass	Red	Clear	2
AAA23500BY126	Mirrored Stainless Steel	Non-Illuminating	Yellow	2
AAA23500BY118	Mirrored Stainless Steel	Red	Clear	1
AAA23500BY122	Mirrored Stainless Steel	Red	Clear	2

# PUSHBUTTONS

## Electrical Rating: 120 VAC

Part Number	Target Finish	LED Color	Ring Body Color	No. of Contacts
AAA23500BY143	Brushed Brass	Amber	Clear	1
AAA23500BY141	Brushed Stainless Steel	Amber	Clear	1
AAA23500BY144	Mirrored Brass	Amber	Clear	1
AAA23500BY142	Mirrored Stainless Steel	Amber	Clear	1

## Electrical Rating: 120 VDC

Part Number	Target Finish	LED Color	Ring Body Color	No. of Contacts
AAA23500BY147	Brushed Brass	Amber	Clear	1
AAA23500BY145	Brushed Stainless Steel	Amber	Clear	1
AAA23500BY148	Mirrored Brass	Amber	Clear	1
AAA23500BY146	Mirrored Stainless Steel	Amber	Clear	1

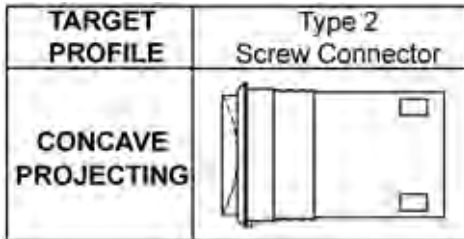
## Electrical Rating: 120 V Max

Part Number	Target Finish	LED Color	Ring Body Color	No. of Contacts
AAA23500BY151	Brushed Brass	Non-Illuminating	Clear	2
AAA23500BY149	Brushed Stainless Steel	Non-Illuminating	Clear	2
AAA23500BY152	Mirrored Brass	Non-Illuminating	Clear	2
AAA23500BY150	Mirrored Stainless Steel	Non-Illuminating	Clear	2





## Micro-Motion III Pushbuttons: Concave Projecting, Screw Connector



### Electrical Rating: 6 VDC

Part Number	Target Finish	LED Color	Ring Body Color	No. of Contacts
AAA23500BY155	Brushed Brass	Red	Clear	1
AAA23500BY163	Brushed Brass	Red	Clear	1
AAA23500BY159	Brushed Brass	Red	Clear	2
AAA23500BY153	Brushed Stainless Steel	Red	Clear	1
AAA23500BY161	Brushed Stainless Steel	Red	Clear	1
AAA23500BY157	Brushed Stainless Steel	Red	Clear	2
AAA23500BY156	Mirrored Brass	Red	Clear	1
AAA23500BY164	Mirrored Brass	Red	Clear	1
AAA23500BY160	Mirrored Brass	Red	Clear	2
AAA23500BY154	Mirrored Stainless Steel	Red	Clear	1
AAA23500BY162	Mirrored Stainless Steel	Red	Clear	1
AAA23500BY158	Mirrored Stainless Steel	Red	Clear	2

### Electrical Rating: 12 VDC

Part Number	Target Finish	LED Color	Ring Body Color	No. of Contacts
AAA23500BY167	Brushed Brass	Red	Clear	2
AAA23500BY165	Brushed Stainless Steel	Red	Clear	2
AAA23500BY168	Mirrored Brass	Red	Clear	2
AAA23500BY166	Mirrored Stainless Steel	Red	Clear	2

# PUSHBUTTONS

## Electrical Rating: 120 VAC

Part Number	Target Finish	LED Color	Ring Body Color	No. of Contacts
AAA23500BY177	Brushed Brass	Amber	Clear	1
AAA23500BY175	Brushed Stainless Steel	Amber	Clear	1
AAA23500BY178	Mirrored Brass	Amber	Clear	1
AAA23500BY176	Mirrored Stainless Steel	Amber	Clear	1

## Electrical Rating: 120 VDC

Part Number	Target Finish	LED Color	Ring Body Color	No. of Contacts
AAA23500BY181	Brushed Brass	Amber	Clear	1
AAA23500BY179	Brushed Stainless Steel	Amber	Clear	1
AAA23500BY182	Mirrored Brass	Amber	Clear	1
AAA23500BY180	Mirrored Stainless Steel	Amber	Clear	1

## Electrical Rating: 120 V Max

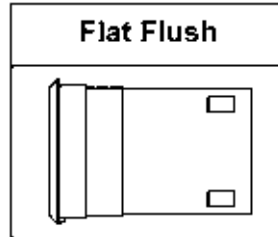
Part Number	Target Finish	LED Color	Ring Body Color	No. of Contacts
AAA23500BY185	Brushed Brass	Non-Illuminating	Clear	2
AAA23500BY183	Brushed Stainless Steel	Non-Illuminating	Clear	2
AAA23500BY186	Mirrored Brass	Non-Illuminating	Clear	2
AAA23500BY184	Mirrored Stainless Steel	Non-Illuminating	Clear	2



## AAA23500BZ

See SPL 31-AAA23500BY

### Micro-Motion III Vandal-Resistant Pushbutton: Flat Flush, Screw Connector



#### Electrical Rating: 6 VDC

Part Number	LED Color	No. of Contacts
AAA23500BZ1	Red	1
AAA23500BZ2	Red	2

#### Electrical Rating: 12 VDC

Part Number	LED Color	No. of Contacts
AAA23500BZ3	Red	1
AAA23500BZ4	Red	2

#### Electrical Rating: 30 VDC

Part Number	LED Color	No. of Contacts
AAA23500BZ5	Amber	1

#### Electrical Rating: 120 VAC

Part Number	LED Color	No. of Contacts
AAA23500BZ6	Amber	1

#### Electrical Rating: 120 VDC

Part Number	LED Color	No. of Contacts
AAA23500BZ7	Amber	1

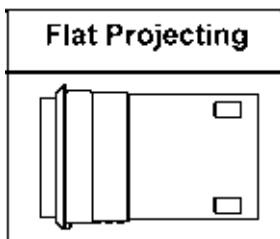
#### Electrical Rating: 120 V Maximum

Part Number	LED Color	No. of Contacts
AAA23500BZ8	Non-Illuminating	2



# PUSHBUTTONS

## Micro-Motion III Vandal-Resistant Pushbutton: Flat Projecting, Screw Connector



### Electrical Rating: 6 VDC

Part Number	LED Color	No. of Contacts
AAA23500BZ9	Red	1
AAA23500BZ10	Red	2

### Electrical Rating: 12 VDC

Part Number	LED Color	No. of Contacts
AAA23500BZ11	Red	1
AAA23500BZ12	Red	2

### Electrical Rating: 30 VDC

Part Number	LED Color	No. of Contacts
AAA23500BZ13	Amber	1

### Electrical Rating: 120 VAC

Part Number	LED Color	No. of Contacts
AAA23500BZ14	Amber	1

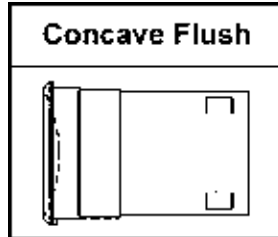
### Electrical Rating: 120 VDC

Part Number	LED Color	No. of Contacts
AAA23500BZ15	Amber	1

### Electrical Rating: 120 V Maximum

Part Number	LED Color	No. of Contacts
AAA23500BZ16	Non-Illuminating	2

## Micro-Motion III Vandal-Resistant Pushbutton: Concave Flush, Screw Connector



### Electrical Rating: 6 VDC

Part Number	LED Color	No. of Contacts
AAA23500BZ17	Red	1
AAA23500BZ18	Red	2

### Electrical Rating: 12 VDC

Part Number	LED Color	No. of Contacts
AAA23500BZ19	Red	1
AAA23500BZ20	Red	2

### Electrical Rating: 120 VAC

Part Number	LED Color	No. of Contacts
AAA23500BZ21	Amber	1

### Electrical Rating: 120 VDC

Part Number	LED Color	No. of Contacts
AAA23500BZ22	Amber	1

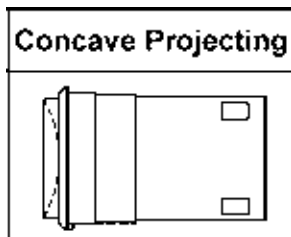
### Electrical Rating: 120 V Maximum

Part Number	LED Color	No. of Contacts
AAA23500BZ23	Non-Illuminating	2



# PUSHBUTTONS

## Micro-Motion III Vandal-Resistant Pushbutton: Concave Projecting, Screw Connector



### Electrical Rating: 6 VDC

Part Number	LED Color	No. of Contacts
AAA23500BZ24	Red	1
AAA23500BZ25	Red	2

### Electrical Rating: 12 VDC

Part Number	LED Color	No. of Contacts
AAA23500BZ26	Red	1
AAA23500BZ27	Red	2

### Electrical Rating: 120 VAC

Part Number	LED Color	No. of Contacts
AAA23500BZ28	Amber	1

### Electrical Rating: 120 VDC

Part Number	LED Color	No. of Contacts
AAA23500BZ29	Amber	1

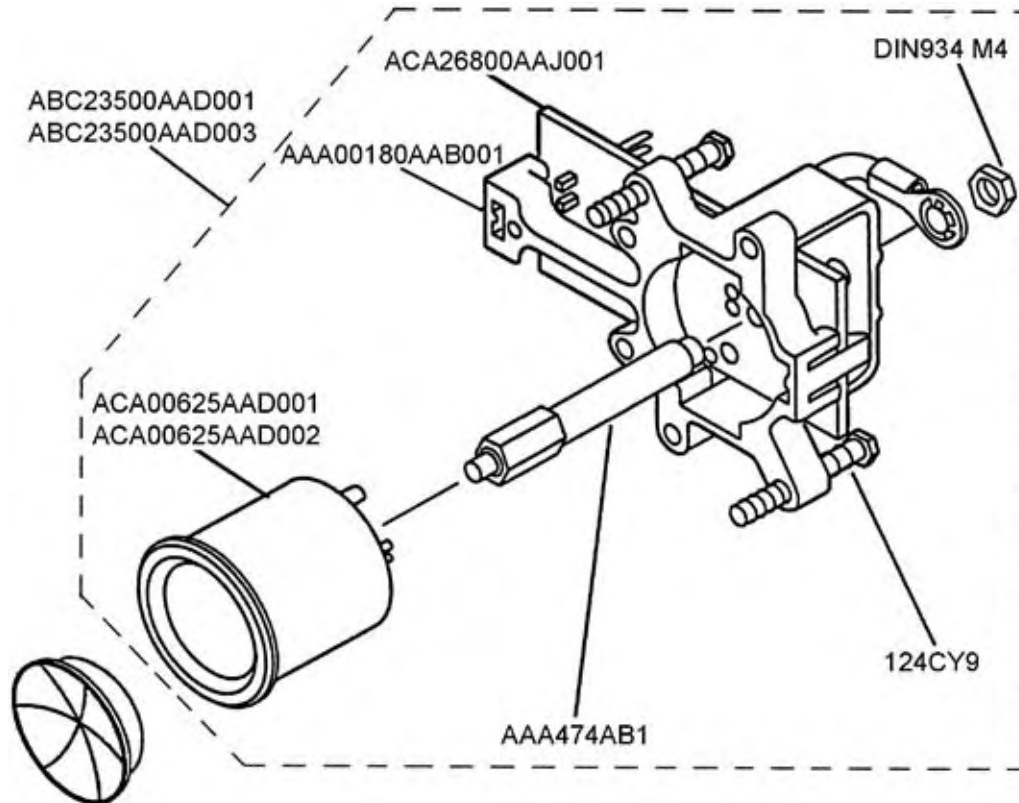
### Electrical Rating: 120 V Maximum

Part Number	LED Color	No. of Contacts
AAA23500BZ30	Non-Illuminating	2



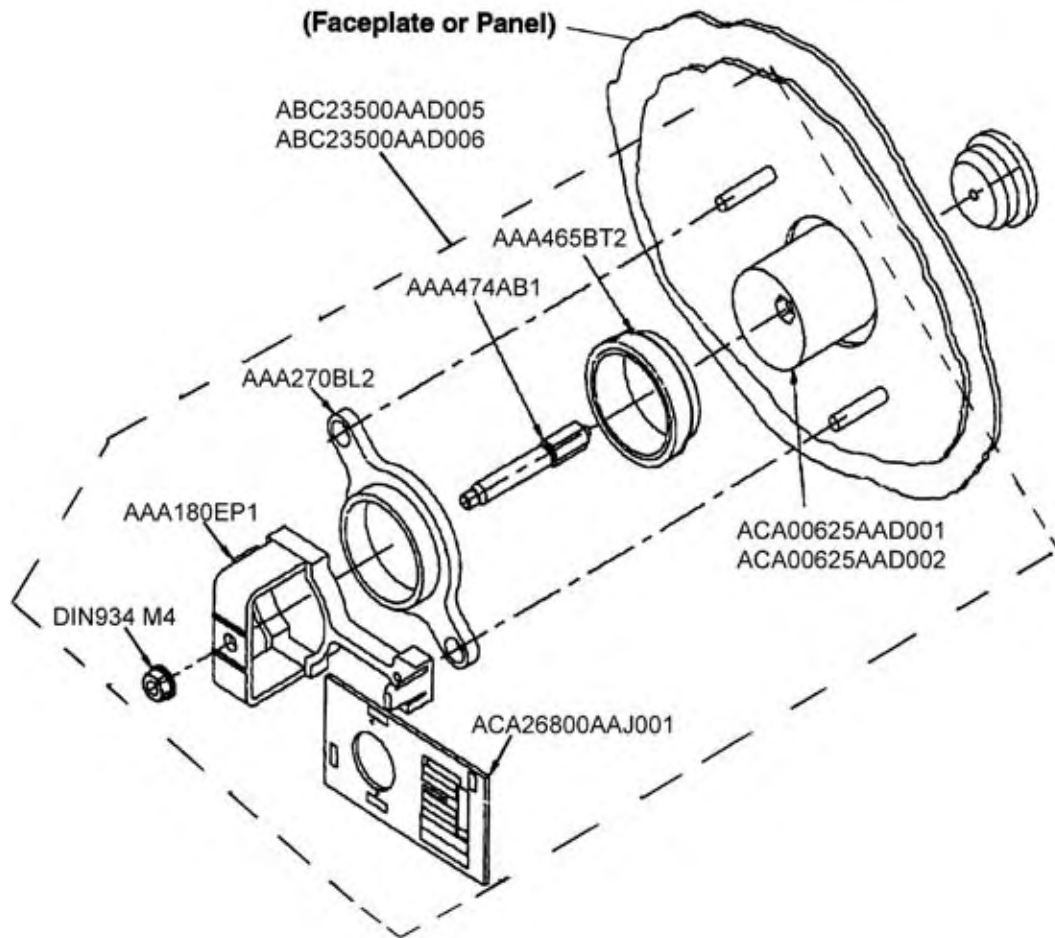
## AAA23500AAD, Motionless Button

See SPL 31-AAA23500AAD



Part Number.	Description
ABC23500AAD003	Down Button Assembly, Red
ABC23500AAD001	Up Button Assembly, Green
AAA00180AAB001	Holder
ACA00625AAD002	Light Ring, LED, Green
ACA00625AAD001	Light Ring, LED, Red
DIN934 M4	Nut, Machine Screw, M4
ACA26800AAJ001	PC Board, Motionless Button
124CY9	Screw, Pan Head Tapping, qty. 4, 2 x 25 mm
AAA474AB1	Stem

# PUSHBUTTONS

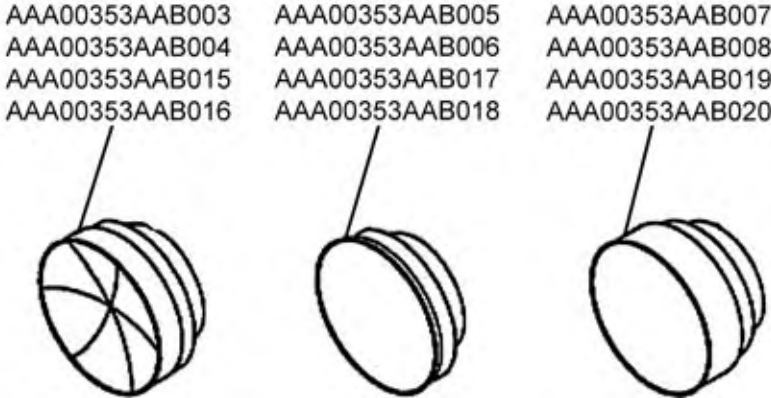


©Otis, February 2011

Part Number	Description
AAA270BL2	Button Adapter
ABC23500AAD005	Button Assembly, Green Illumination
ABC23500AAD006	Button Assembly, Red Illumination
AAA180EP1	Holder
ACA00625AAD002	Light Ring, LED, Green
ACA00625AAD001	Light Ring, LED, Red
DIN934 M4	Nut, Machine Screw, M4
ACA26800AAJ001	PC Board, Motionless Button
AAA465BT2	Sleeve, Adapter Button
AAA474AB1	Stem



## Disks for Motionless Buttons



Part Number	Description
AAA00353AAB015	Disk, Concave Face, Bronze, Brushed Finish, California Projection
AAA00353AAB003	Disk, Concave Face, Bronze, Mirror Finish, California Projection
AAA00353AAB016	Disk, Concave Face, Stainless Steel, Brushed Finish, California Projection
AAA00353AAB004	Disk, Concave Face, Stainless Steel, Mirror Finish, California Projection
AAA00353AAB017	Disk, Flat Face, Bronze, Brushed Finish
AAA00353AAB019	Disk, Flat Face, Bronze, Brushed Finish, California Projection
AAA00353AAB005	Disk, Flat Face, Bronze, Mirror Finish
AAA00353AAB007	Disk, Flat Face, Bronze, Mirror Finish, California Projection
AAA00353AAB018	Disk, Flat Face, Stainless Steel, Brushed Finish
AAA00353AAB020	Disk, Flat Face, Stainless Steel, Brushed Finish, California Projection
AAA00353AAB006	Disk, Flat Face, Stainless Steel, Mirror Finish
AAA00353AAB008	Disk, Flat Face, Stainless Steel, Mirror Finish, California Projection

© Otis, February 2011

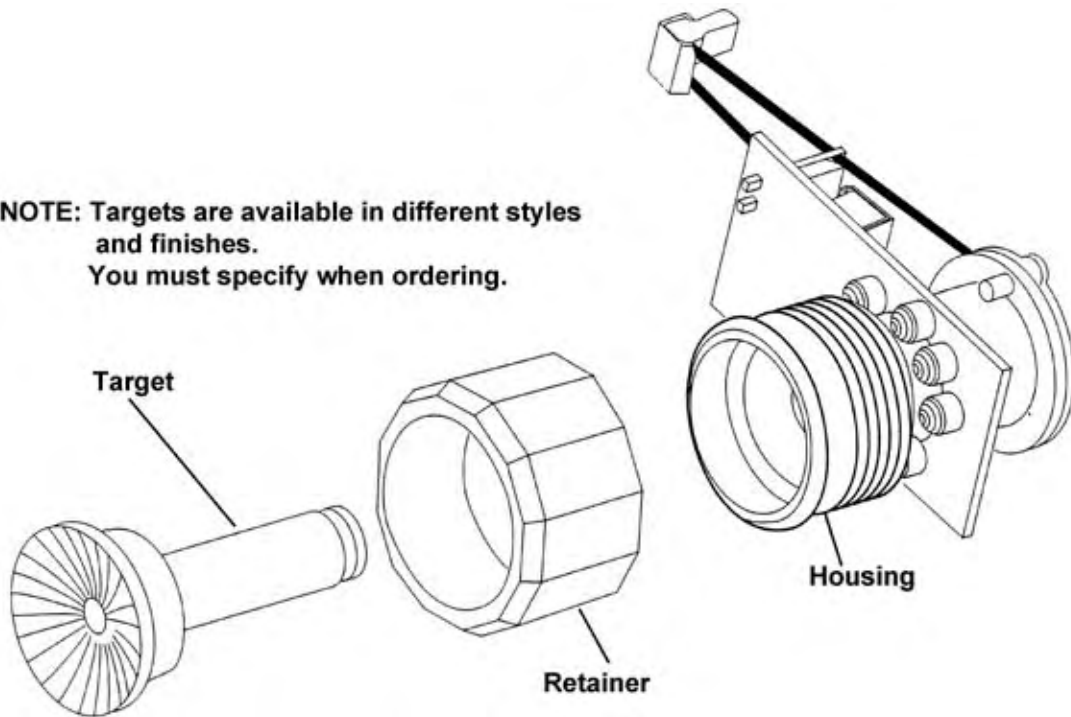


# PUSHBUTTONS

## AAA23500AAF, Series 1

See SPL 31-AAA23500AAF

**NOTE:** Targets are available in different styles and finishes.  
You must specify when ordering.



©Otis, February 2011

## Button Assemblies

Part No.	Description	Housing Color
AAD23500AAF005	Button, Car Floor/Hall Down, with Green LED	Clear
AAD23500AAF001	Button, Car Floor/Hall Down, with Red LED	Clear
AAD23500AAF015	Button, Car-Call Cancel, w/o LED	Red
AAD23500AAF022	Button, Emergency Call, w/o LED	Clear
AAD23500AAF017	Button, Emergency Call, w/o LED, 12 V	Yellow
AAD23500AAF021	Button, Emergency Call, w/o LED, 6 V	Yellow
AAD23500AAF013	Button, Front & Rear Open/Close ,w/o LED	White
AAD23500AAF019	Button, Non-Stop, w/o LED	Clear



## Button Assembly Components

Part No.	Description
AAA00174AAL012	Cable (w/hall button only), E401M, E311M/E411M Application
AAA00174AAL011	Cable (w/hall button only), E411 Application
176EE15	Connector (for use in COP only), Strain Relief
AAA336AAB1	Housing, Switch
ABA396AAJ1	Housing, w/Bushing, Clear
ABA396AAJ4	Housing, w/Bushing, Red
ABA396AAJ2	Housing, w/Bushing, White
ABA396AAJ3	Housing, w/Bushing, Yellow
ABA26800ABH001	Module, Switch
ABA26800ABG002	PCB, Green LED. For E411 applications.
ABA26800ABG006	PCB, Green LED. For E401M, E311M/E411M applications.
ABA26800ABG001	PCB, Red LED. For E411 applications.
ABA26800ABG005	PCB, Red LED. For E401M, E311M/E411M applications.
ABA26800ABG008	PCB, Red Sunlight LED. For E411 applications.
ABA26800ABG009	PCB, Red Sunlight LED. For E401M, E311M/E411M applications.
ACA26800ABF001	PCB, w/ 12 V Relay, (emergency call button)
ACA26800ABF002	PCB, w/ 6 V Relay, (emergency call button)
ABA26800ABG004	PCB, w/o LED. For E411M applications.
ABA26800ABG003	PCB, Yellow LED. For E411M applications.
ABA26800ABG007	PCB, Yellow LED. For E401M, E311M/E411M applications.
AAA166AAC3	Retainer, L = 12 mm (for use w/adaptors for rear mounting)
AAA166AAC1	Retainer, L = 21 mm (for use w/o chicklet & w/o rear mounting adaptors)
AAA166AAC2	Retainer, L= 16.5 mm (for use w/chicklet mounting)
AAA172AAA1	Ring, "O"
172DR13	Ring, Retaining
DIN7985A M3X6	Screw, Pan Head, M3 x 6
AAA124EJ1	Screw, Set (Nylon Tipped)
AAA131AAB1	Washer, Curved
DIN125 M3	Washer, Flat, M3



# PUSHBUTTONS

## Targets

Part No.	Description	Type
AAA323AAC14	Concave Face, Bronze, Brushed Finish	I
AAA323AAC16	Concave Face, Bronze, Brushed Finish, California Projection	II
AAA323AAC31	Concave Face, Bronze, Epoxy Coated, Brushed Finish	I
AAA323AAC32	Concave Face, Bronze, Epoxy Coated, Brushed Finish, California Projection	II
AAA323AAC25	Concave Face, Bronze, Epoxy Coated, Mirror Finish	I
AAA323AAC26	Concave Face, Bronze, Epoxy Coated, Mirror Finish, California Projection	II
AAA323AAC2	Concave Face, Bronze, Mirror Finish	I
AAA323AAC4	Concave Face, Bronze, Mirror Finish, California Projection	II
AAA323AAC13	Concave Face, Stainless Steel, Brushed Finish	I
AAA323AAC15	Concave Face, Stainless Steel, Brushed Finish, California Projection	II
AAA323AAC1	Concave Face, Stainless Steel, Mirror Finish	I
AAA323AAC3	Concave Face, Stainless Steel, Mirror Finish, California Projection	II
AAA323AAC22	Convex Face, Bronze, Brushed Finish	V
AAA323AAC24	Convex Face, Bronze, Brushed Finish, California Projection	VI
AAA323AAC35	Convex Face, Bronze, Epoxy Coated, Brushed Finish	V
AAA323AAC36	Convex Face, Bronze, Epoxy Coated, Brushed Finish, California Projection	VI
AAA323AAC29	Convex Face, Bronze, Epoxy Coated, Mirror Finish	V
AAA323AAC30	Convex Face, Bronze, Epoxy Coated, Mirror Finish, California Projection	VI
AAA323AAC10	Convex Face, Bronze, Mirror Finish	V
AAA323AAC12	Convex Face, Bronze, Mirror Finish, California Projection	VI
AAA323AAC21	Convex Face, Stainless Steel, Brushed Finish	V
AAA323AAC23	Convex Face, Stainless Steel, Brushed Finish, California Projection	VI
AAA323AAC9	Convex Face, Stainless Steel, Mirror Finish	V
AAA323AAC11	Convex Face, Stainless Steel, Mirror Finish, California Projection	VI
AAA323AAC18	Flat Face, Bronze, Brushed Finish	III
AAA323AAC20	Flat Face, Bronze, Brushed Finish, California Projection	IV
AAA323AAC33	Flat Face, Bronze, Epoxy Coated, Brushed Finish	III
AAA323AAC34	Flat Face, Bronze, Epoxy Coated, Brushed Finish, California Projection	IV
AAA323AAC27	Flat Face, Bronze, Epoxy Coated, Mirror Finish	III
AAA323AAC28	Flat Face, Bronze, Epoxy Coated, Mirror Finish, California Projection	IV
AAA323AAC6	Flat Face, Bronze, Mirror Finish	III
AAA323AAC8	Flat Face, Bronze, Mirror Finish, California Projection	IV
AAA323AAC17	Flat Face, Stainless Steel, Brushed Finish	III
AAA323AAC19	Flat Face, Stainless Steel, Brushed Finish, California Projection	IV
AAA323AAC5	Flat Face, Stainless Steel, Mirror Finish	III
AAA323AAC7	Flat Face, Stainless Steel, Mirror Finish, California Projection	IV

©Otis, February 2011

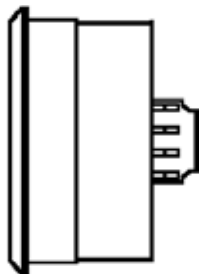


# AAA23500CH

See SPL 32-AAA23500CH



## Micro-Motion III Pushbuttons: Flat Flush, Amp Connector



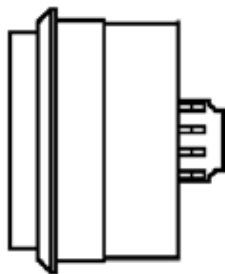
**Electrical Rating: 24 VDC**

Part Number	Target Finish	LED Color	Ring Body Color
AAA23500CH84	BR7	Blue	Clear
AAA23500CH85	BR8	Blue	Clear
AAA23500CH82	SS4	Blue	Clear
AAA23500CH83	SS8	Blue	Clear
AAA23500CH9	SS8	Green	Clear
AAA23500CH45	BR7	Green	Clear
AAA23500CH46	BR8	Green	Clear
AAA23500CH3	SS4	Green	Clear
AAA23500CH20	SS8	Not Illuminated	White Opaque
AAA23500CH47	BR7	Not Illuminated	Clear
AAA23500CH49	BR7	Not Illuminated	White Opaque
AAA23500CH80	BR7	Not illuminated	Red
AAA23500CH48	BR8	Not Illuminated	Clear
AAA23500CH50	BR8	Not Illuminated	White Opaque
AAA23500CH81	BR8	Not illuminated	Red
AAA23500CH14	SS4	Not Illuminated	White Opaque
AAA23500CH2	SS4	Not Illuminated	Clear
AAA23500CH78	SS4	Not illuminated	Red
AAA23500CH15	SS8	Not Illuminated	Clear
AAA23500CH79	SS8	Not illuminated	Red
AAA23500CH43	BR7	Red	Clear
AAA23500CH44	BR8	Red	Clear
AAA23500CH1	SS4	Red	Clear
AAA23500CH4	SS8	Red	Clear
AAA23500CH33	BR7	White	Clear
AAA23500CH34	BR8	White	Clear
AAA23500CH31	SS4	White	Clear
AAA23500CH32	SS8	White	Clear

© Otis, February 2011

# PUSHBUTTONS

## Micro-Motion III Pushbuttons: Flat Projecting, Amp Connector



**Electrical Rating: 24 VDC**

Part Number	Target Finish	LED Color	Ring Body Color
AAA23500CH88	BR7	Blue	Clear
AAA23500CH89	BR8	Blue	Clear
AAA23500CH86	SS4	Blue	Clear
AAA23500CH87	SS8	Blue	Clear
AAA23500CH53	BR7	Green	Clear
AAA23500CH54	BR8	Green	Clear
AAA23500CH10	SS4	Green	Clear
AAA23500CH11	SS8	Green	Clear
AAA23500CH55	BR7	Not Illuminated	Clear
AAA23500CH57	BR7	Not Illuminated	White Opaque
AAA23500CH76	BR7	Not illuminated	Red
AAA23500CH56	BR8	Not Illuminated	Clear
AAA23500CH58	BR8	Not Illuminated	White Opaque
AAA23500CH77	BR8	Not illuminated	Red
AAA23500CH16	SS4	Not Illuminated	Clear
AAA23500CH21	SS4	Not Illuminated	White Opaque
AAA23500CH74	SS4	Not illuminated	Red
AAA23500CH17	SS8	Not Illuminated	Clear
AAA23500CH22	SS8	Not Illuminated	White Opaque
AAA23500CH75	SS8	Not illuminated	Red
AAA23500CH51	BR7	Red	Clear
AAA23500CH52	BR8	Red	Clear
AAA23500CH5	SS4	Red	Clear
AAA23500CH6	SS8	Red	Clear
AAA23500CH73	White Plastic	White	Clear
AAA23500CH37	BR7	White	Clear
AAA23500CH38	BR8	White	Clear
AAA23500CH35	SS4	White	Clear
AAA23500CH36	SS8	White	Clear

## Micro-Motion III Pushbuttons: Concave Flush, Amp Connector

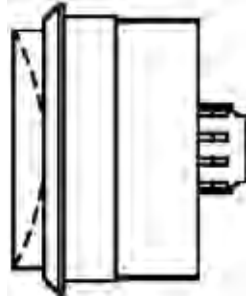


**Electrical Rating: 24 VDC**

Part Number	Target Finish	LED Color	Ring Body Color
AAA23500CH92	BR7	Blue	Clear
AAA23500CH93	BR8	Blue	Clear
AAA23500CH90	SS4	Blue	Clear
AAA23500CH91	SS8	Blue	Clear
AAA23500CH61	BR7	Green	Clear
AAA23500CH62	BR8	Green	Clear
AAA23500CH12	SS4	Green	Clear
AAA23500CH13	SS8	Green	Clear
AAA23500CH63	BR7	Not Illuminated	Clear
AAA23500CH65	BR7	Not Illuminated	White Opaque
AAA23500CH64	BR8	Not Illuminated	Clear
AAA23500CH66	BR8	Not Illuminated	White Opaque
AAA23500CH18	SS4	Not Illuminated	Clear
AAA23500CH23	SS4	Not Illuminated	White Opaque
AAA23500CH19	SS8	Not Illuminated	Clear
AAA23500CH24	SS8	Not Illuminated	White Opaque
AAA23500CH59	BR7	Red	Clear
AAA23500CH60	BR8	Red	Clear
AAA23500CH7	SS4	Red	Clear
AAA23500CH8	SS8	Red	Clear
AAA23500CH41	BR7	White	Clear
AAA23500CH42	BR8	White	Clear
AAA23500CH39	SS4	White	Clear
AAA23500CH40	SS8	White	Clear

# PUSHBUTTONS

## Micro-Motion III Pushbuttons: Concave Projecting, Amp Connector

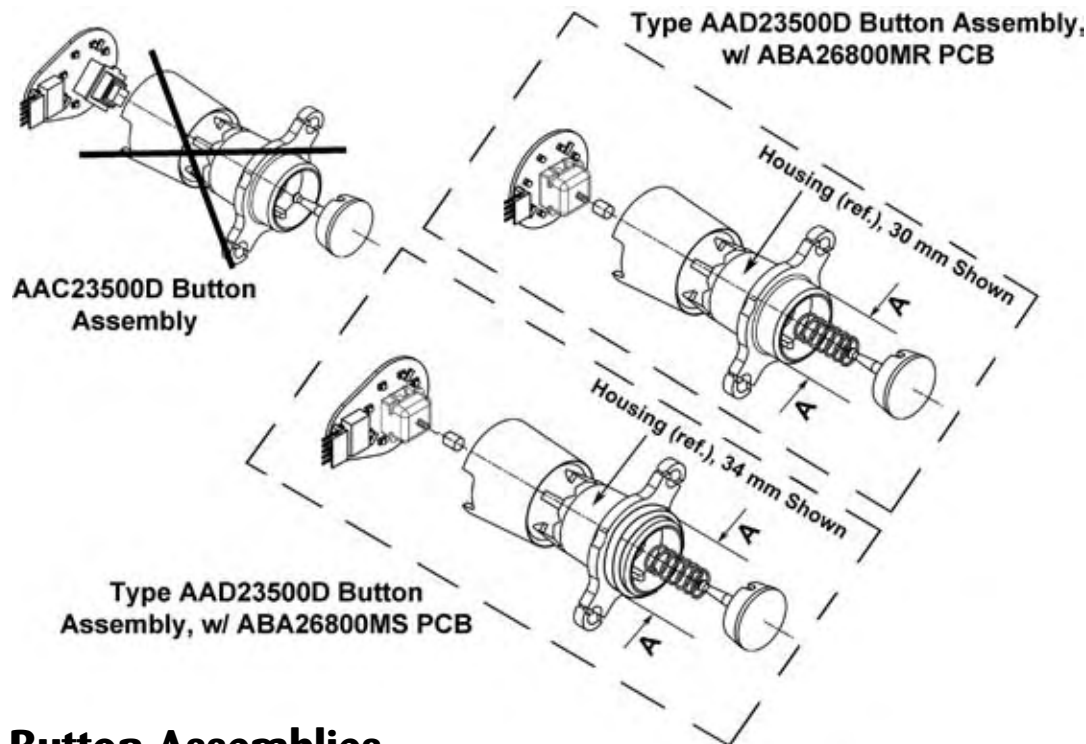


**Electrical Rating: 24 VDC**

Part Number	Target Finish	LED Color	Ring Body Color
AAA23500CH96	BR7	Blue	Clear
AAA23500CH97	BR8	Blue	Clear
AAA23500CH94	SS4	Blue	Clear
AAA23500CH95	SS8	Blue	Clear
AAA23500CH69	BR7	Green	Clear
AAA23500CH70	BR8	Green	Clear
AAA23500CH27	SS4	Green	Clear
AAA23500CH28	SS8	Green	Clear
AAA23500CH71	BR7	Not Illuminated	Clear
AAA23500CH72	BR8	Not Illuminated	Clear
AAA23500CH29	SS4	Not Illuminated	Clear
AAA23500CH30	SS8	Not Illuminated	Clear
AAA23500CH67	BR7	Red	Clear
AAA23500CH68	BR8	Red	Clear
AAA23500CH25	SS4	Red	Clear
AAA23500CH26	SS8	Red	Clear



# AA\*23500D, Series 2



## Button Assemblies

See SPL 31-AAA23500AAF

**NOTE:** The AAD23500D button assemblies do not come with a target. Order target separately. See pages 164-169 for target information.

Part No.	Description	Outside Diameter
AAD23500D4	Button Assembly, Non-Illuminating and Clear Housing (for NAA Door Open, Door Close, Call Cancel and Non-NAA Non-Stop buttons)	30 mm
AAD23500D12	Button Assembly, Non-Illuminating and Clear Housing (for NAA Door Open, Door Close, Call Cancel and Non-NAA Non-Stop buttons)	34 mm
AAD23500D7	Button Assembly, Non-Illuminating and Red Housing (for Call Cancel button)	30 mm
AAD23500D15	Button Assembly, Non-Illuminating and Red Housing (for Call Cancel button)	34 mm
AAD23500D6	Button Assembly, Non-Illuminating and White Housing (for Non-NAA Door Open, Door Close buttons)	30 mm
AAD23500D14	Button Assembly, Non-Illuminating and White Housing (for Non-NAA Door Open, Door Close buttons)	34 mm
AAD23500D8	Button Assembly, Non-Illuminating. w/Yellow Housing, 12 V, (for Non-NAA Alarm button)	30 mm
AAD23500D16	Button Assembly, Non-Illuminating. w/Yellow Housing, 12 V, (for Non-NAA Alarm button)	34 mm

© Otis, February 2011



# PUSHBUTTONS

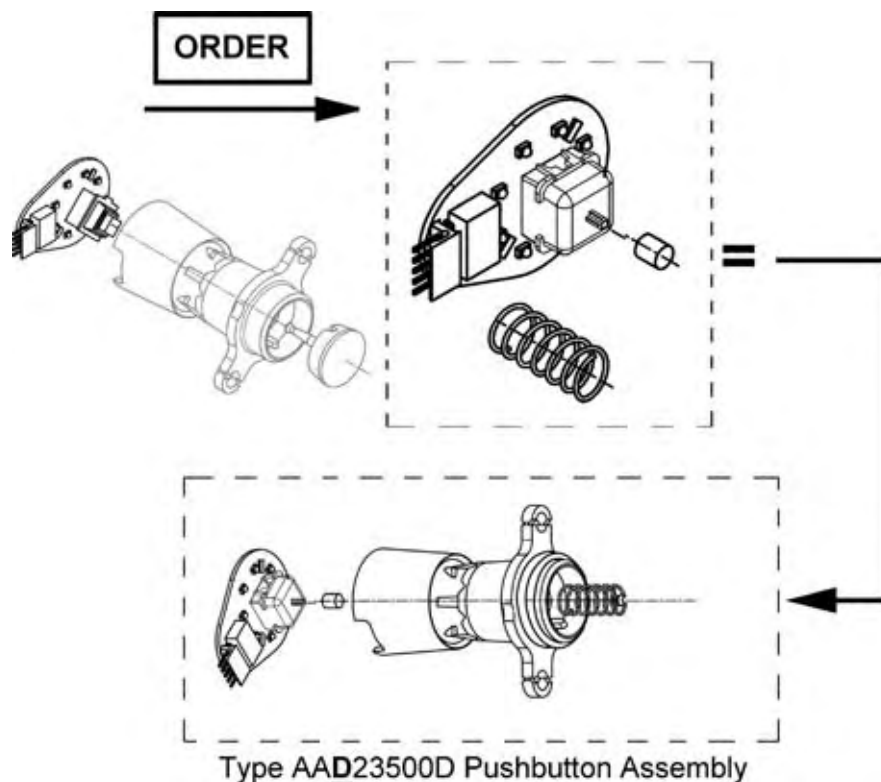
<b>Part No.</b>	<b>Description</b>	<b>Outside Diameter</b>
AAD23500D3	Button Assembly, w/Amber LED and Clear Housing	30 mm
AAD23500D11	Button Assembly, w/Amber LED and Clear Housing	34 mm
AAD23500D19	Button Assembly, w/Amber LED and Clear Housing (for 3-Wire Systems)	30 mm
AAD23500D2	Button Assembly, w/Green LED and Clear Housing	30 mm
AAD23500D10	Button Assembly, w/Green LED and Clear Housing	34 mm
AAD23500D18	Button Assembly, w/Green LED and Clear Housing (for 3-Wire Systems)	30 mm
AAD23500D1	Button Assembly, w/Red LED and Clear Housing	30 mm
AAD23500D9	Button Assembly, w/Red LED and Clear Housing	34 mm
AAD23500D17	Button Assembly, w/Red LED and Clear Housing (for 3-Wire Systems)	30 mm
AAD23500D5	Button Assembly, w/Red LED and Clear Housing, 12 V (for NAA Alarm button)	30 mm
AAD23500D13	Button Assembly, w/Red LED and Clear Housing, 12 V (for NAA Alarm button)	34 mm
AAD23500D20	Button Assembly, w/Red LED and Clear Housing, 6 V (for 3-Wire Systems)	30 mm

©Otis, February 2011



## Kits for Upgrading from AAC23500D to AAD23500D

See SPL 31-AAA23500AAF and TIP 4.1.1-5



Each kit includes spring, spacer, and new PC board to make the item listed.

Obsolete AAC23500D Part No.	New AAD23500D Part No.	Use New Part Number to Make the Following:
AAA26800MR1	AAA27076CC1	<ul style="list-style-type: none"> <li>• <b>AAD23500D1</b> (Button Assembly, w/Red LED and Clear Housing, 30 mm outside diameter)</li> <li>• <b>AAD23500D9</b> (Button Assembly, w/Red LED and Clear Housing, 34 mm outside diameter)</li> </ul>
AAA26800MR2	AAA27076CC2	<ul style="list-style-type: none"> <li>• <b>AAD23500D2</b> (Button Assembly, w/Green LED and Clear Housing, 30 mm outside diameter)</li> <li>• <b>AAD23500D10</b> (Button Assembly, w/Green LED and Clear Housing, 34 mm outside diameter)</li> </ul>
AAA26800MR3	AAA27076CC3	<ul style="list-style-type: none"> <li>• <b>AAD23500D3</b> (Button Assembly, w/Amber LED and Clear Housing, 30 mm outside diameter)</li> <li>• <b>AAD23500D11</b> (Button Assembly, w/Amber LED and Clear Housing, 34 mm outside diameter)</li> </ul>

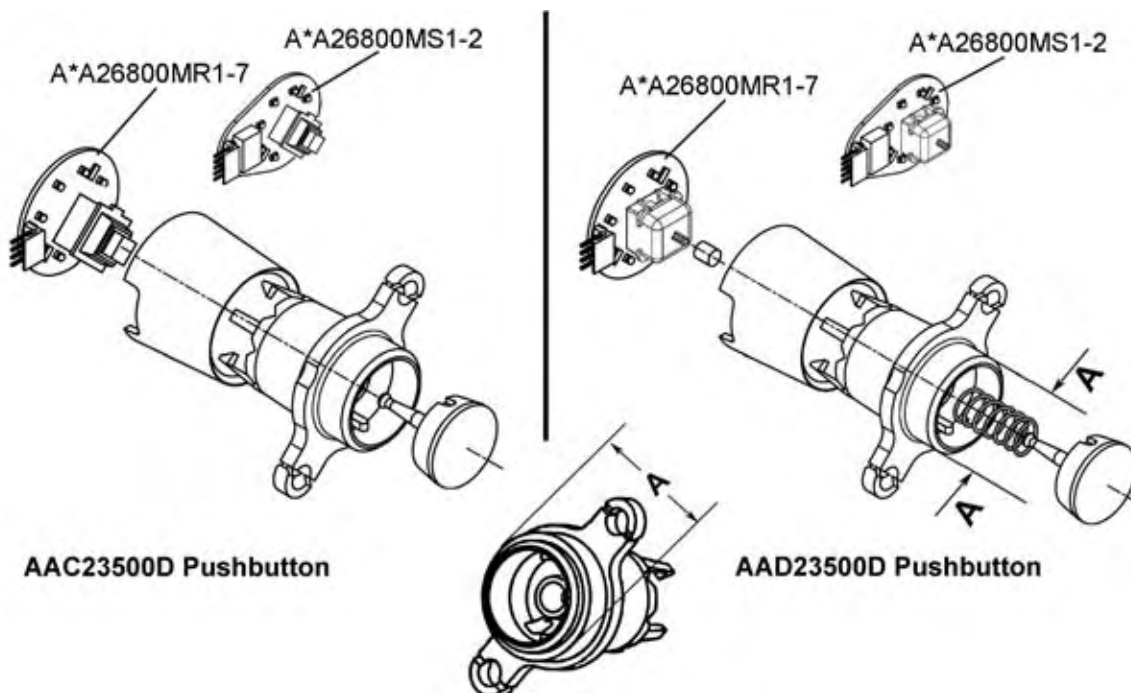
# PUSHBUTTONS

Obsolete AAC23500D Part No.	New AAD23500D Part No.	Use New Part Number to Make the Following:
AAA26800MR4	AAA27076CC4	<ul style="list-style-type: none"> <li>• <b>AAD23500D4</b> (Button Assembly, Non-Illuminating and Clear Housing [for NAA Door Open, Door Close, Call Cancel and Non-NAA Non-Stop buttons], 30 mm outside diameter)</li> <li>• <b>AAD23500D6</b> (Button Assembly, Non-Illuminating and White Housing [for Non-NAA Door Open, Door Close buttons], 30 mm outside diameter)</li> <li>• <b>AAD23500D7</b> (Button Assembly, Non-Illuminating and Red Housing [for Call Cancel button], 30 mm outside diameter)</li> <li>• <b>AAD23500D12</b> (Button Assembly, Non-Illuminating and Clear Housing [for NAA Door Open, Door Close, Call Cancel and Non-NAA Non-Stop buttons], 34 mm outside diameter)</li> <li>• <b>AAD23500D14</b> (Button Assembly, Non-Illuminating and White Housing [for Non-NAA Door Open, Door Close buttons], 34 mm outside diameter)</li> <li>• <b>AAD23500D15</b> (Button Assembly, Non-Illuminating and Red Housing [for Call Cancel button], 34 mm outside diameter)</li> </ul>
AAA26800MR5	AAA27076CC5	<ul style="list-style-type: none"> <li>• <b>AAD23500D17</b> (Button Assembly, w/Red LED and Clear Housing [for 3-Wire Systems], 30 mm outside diameter)</li> </ul>
AAA26800MR6	AAA27076CC6	<ul style="list-style-type: none"> <li>• <b>AAD23500D18</b> (Button Assembly, w/Green LED and Clear Housing [for 3-Wire Systems], 30 mm outside diameter)</li> </ul>
AAA26800MR7	AAA27076CC7	<ul style="list-style-type: none"> <li>• <b>AAD23500D19</b> (Button Assembly, w/Amber LED and Clear Housing [for 3-Wire Systems], 30 mm outside diameter)</li> </ul>
AAA26800MS1	AAA27076CD1	<ul style="list-style-type: none"> <li>• <b>AAD23500D5</b> (Button Assembly, w/Red LED and Clear Housing, 12 V [for NAA Alarm button], 30 mm outside diameter)</li> <li>• <b>AAD23500D8</b> (Button Assembly, Non-Illuminating, w/Yellow Housing, 12 V, [for Non-NAA Alarm button], 30 mm outside diameter)</li> <li>• <b>AAD23500D13</b> (Button Assembly, w/Red LED and Clear Housing, 12 V [for NAA Alarm button], 34 mm outside diameter)</li> <li>• <b>AAD23500D16</b> (Button Assembly, Non-Illuminating, w/Yellow Housing, 12 V, [for Non-NAA Alarm button], 34 mm outside diameter)</li> </ul>
AAA26800MS2	AAA27076CD2	<ul style="list-style-type: none"> <li>• <b>AAD23500D20</b> (Button Assembly, w/Red LED and Clear Housing, 6 V [for 3-Wire Systems], 30 mm outside diameter)</li> </ul>

## Micro-Motion II Pushbuttons: PC Boards

See SPL 31-AAA23500AAF

**NOTE:** The AAD23500D button assemblies do not come with a target. Order target separately. See pages 164-169 for target information.



© Otis, February 2011

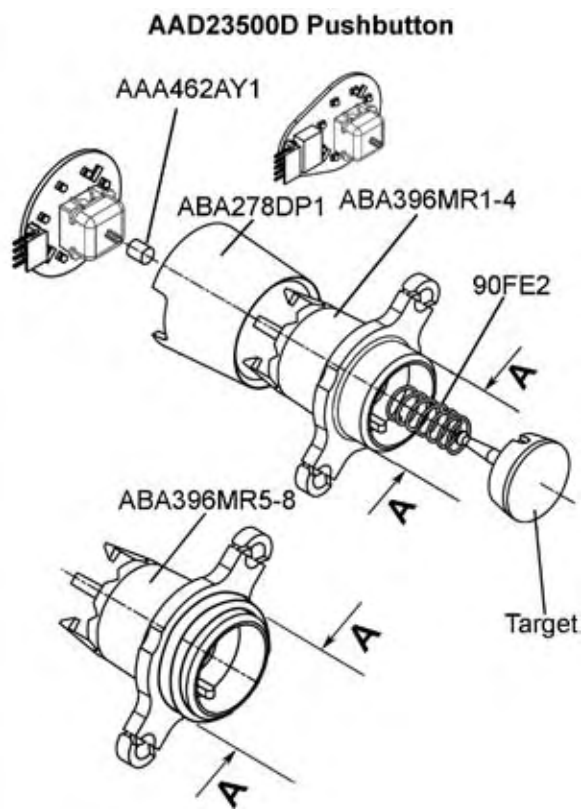
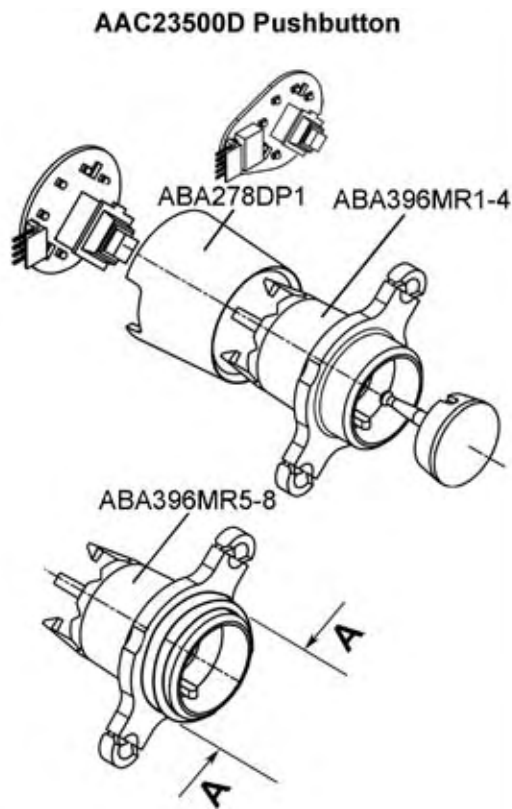
Obsolete AAC23500D Part No.	New AAD23500D Part No.	Description
AAA26800MS1	ABA26800MS1	PC Board, Alarm, 12 V
AAA26800MR3	ABA26800MR3	PC Board, with Amber LED
AAA26800MR2	ABA26800MR2	PC Board, with Green LED
AAA26800MR1	ABA26800MR1	PC Board, with Red LED
AAA26800MR4	ABA26800MR4	PC Board, without LED
AAA26800MS2	ABA26800MS2	PC Board, Alarm, 6 V. Used with 3-wire systems.
AAA26800MR7	ABA26800MR7	PC Board, with Amber LED. Used with 3-wire systems (R1, R2, Q1).
AAA26800MR6	ABA26800MR6	PC Board, with Green LED. Used with 3-wire systems (R1, R2, Q1).
AAA26800MR5	ABA26800MR5	PC Board, with Red LED. Used with 3-wire systems (R1, R2, Q1).

**NOTE:** Strikethrough parts listed in AAC23500D vintage must be upgraded to AAD23500D vintage pushbutton assembly.

# PUSHBUTTONS

## Micro-Motion II Pushbuttons: Housing, Spacer, and Spring

See SPL 31-AAA23500AAF and TIP 4.1.1-5



©Otis, February 2011

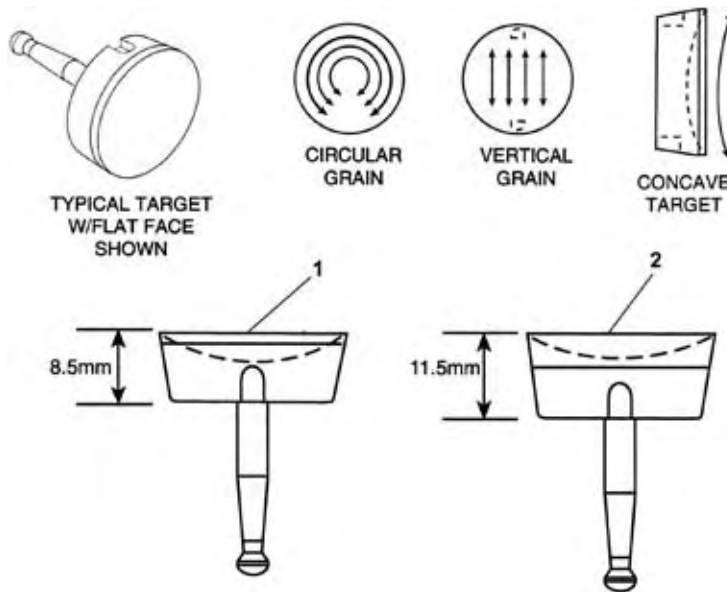
Part No.		Description	Outside Diameter	
AAC23500D	AAD23500D			
		ABA396MR1	Housing, Clear	30 mm
		ABA396MR5	Housing, Clear	34 mm
		ABA396MR4	Housing, Red	30 mm
		ABA396MR8	Housing, Red	34 mm
		ABA396MR2	Housing, White	30 mm
		ABA396MR6	Housing, White	34 mm
		ABA396MR3	Housing, Yellow	30 mm
		ABA396MR7	Housing, Yellow	34 mm
		ABA278DP1	Shield, Light	
***		AAA462AY1	Spacer	
***		90FE2	Spring	
***	***		Target, Type ABA323DH	

North America: (800) 600 - 6847 • Fax (860) 286 - 1605  
Elsewhere: (860) 286-4573 • lynn.molinaroli@otis.com



## Targets

See SPL 31-AAA23500AAF

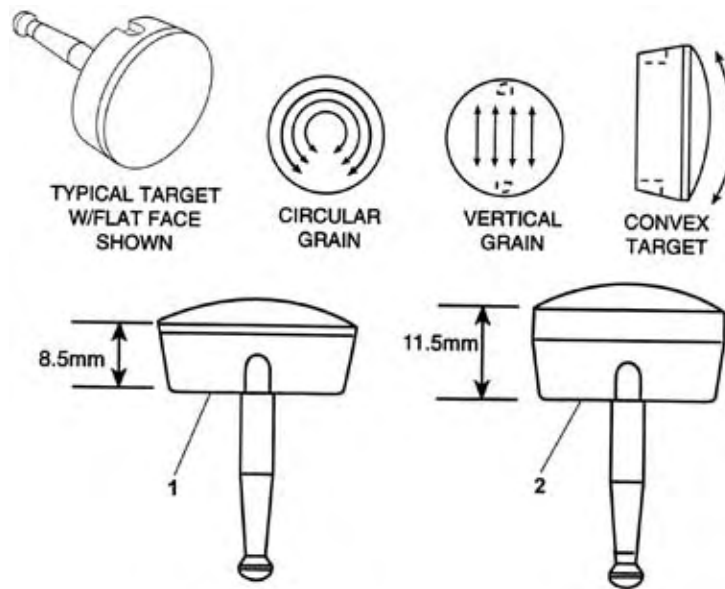


### Without Engraving

Part No.	Target Shape	Material	Finish	Finish Grain	Button Height
ABA323DH73	Concave	Epoxy Coated	Brushed	Circular	8.5 mm
ABA323DH75	Concave	Epoxy Coated	Brushed	Circular	11.5 mm
ABA323DH1	Concave	Naval Bronze	Brushed	Circular	8.5 mm
ABA323DH7	Concave	Naval Bronze	Brushed	Circular	11.5 mm
ABA323DH2	Concave	Naval Bronze	Brushed	Vertical	8.5 mm
ABA323DH8	Concave	Naval Bronze	Brushed	Vertical	11.5 mm
ABA323DH3	Concave	Naval Bronze	Mirror	***	8.5 mm
ABA323DH76	Concave	Naval Bronze	Mirror	***	11.5 mm
ABA323DH9	Concave	Naval Bronze	Mirror	***	11.5 mm
ABA323DH74	Concave	Naval Bronze	Mirror	Vertical	8.5 mm
ABA323DH4	Concave	Stainless Steel	Brushed	Circular	8.5 mm
ABA323DH10	Concave	Stainless Steel	Brushed	Circular	11.5 mm
ABA323DH5	Concave	Stainless Steel	Brushed	Vertical	8.5 mm
ABA323DH11	Concave	Stainless Steel	Brushed	Vertical	11.5 mm
ABA323DH6	Concave	Stainless Steel	Mirror	***	8.5 mm
ABA323DH12	Concave	Stainless Steel	Mirror	***	11.5 mm



# PUSHBUTTONS

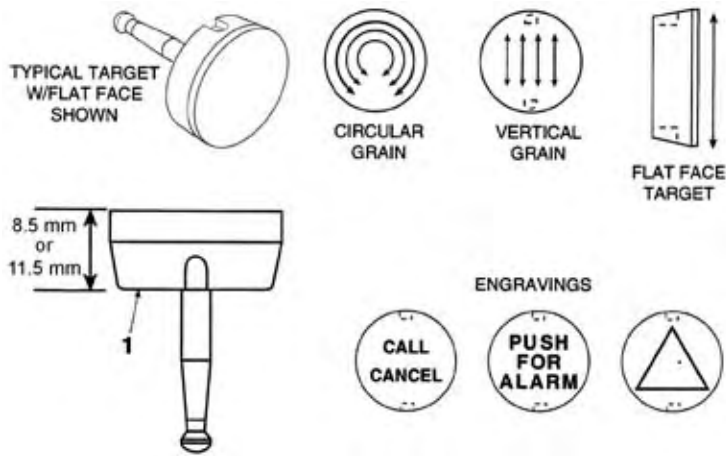


©Otis, February 2011

Part No.	Target Shape	Material	Finish	Finish Grain	Button Height
ABA323DH83	Convex	Epoxy Coated	Brushed	Circular	8.5 mm
ABA323DH85	Convex	Epoxy Coated	Brushed	Circular	11.5 mm
ABA323DH25	Convex	Naval Bronze	Brushed	Circular	8.5 mm
ABA323DH31	Convex	Naval Bronze	Brushed	Circular	11.5 mm
ABA323DH26	Convex	Naval Bronze	Brushed	Vertical	8.5 mm
ABA323DH32	Convex	Naval Bronze	Brushed	Vertical	11.5 mm
ABA323DH84	Convex	Naval Bronze	Mirror	***	8.5 mm
ABA323DH27	Convex	Naval Bronze	Mirror	***	8.5 mm
ABA323DH86	Convex	Naval Bronze	Mirror	***	11.5 mm
ABA323DH33	Convex	Naval Bronze	Mirror	***	11.5 mm
ABA323DH28	Convex	Stainless Steel	Brushed	Circular	8.5 mm
ABA323DH34	Convex	Stainless Steel	Brushed	Circular	11.5 mm
ABA323DH29	Convex	Stainless Steel	Brushed	Vertical	8.5 mm
ABA323DH35	Convex	Stainless Steel	Brushed	Vertical	11.5 mm
ABA323DH30	Convex	Stainless Steel	Mirror	***	8.5 mm
ABA323DH36	Convex	Stainless Steel	Mirror	***	11.5 mm

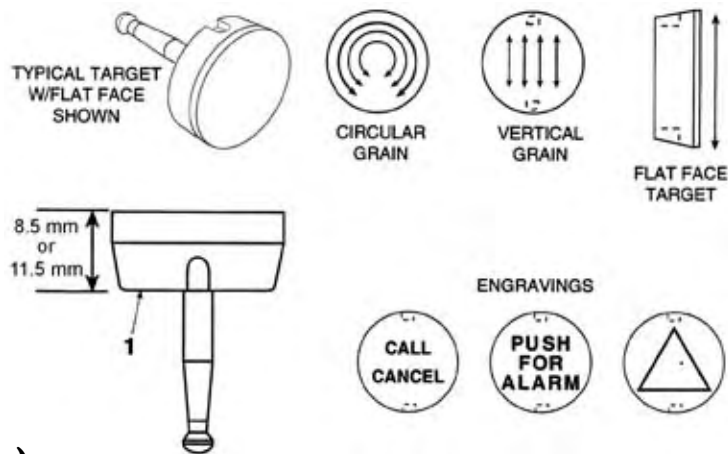


## Targets Without Engraving (continued)



Part No.	Target Shape	Material	Finish	Finish Grain	Button Height
ABA323DH77	Flat	Epoxy Coated Naval Bronze	Brushed	Circular	8.5 mm
ABA323DH78	Flat	Epoxy Coated Naval Bronze	Brushed	Vertical	8.5 mm
ABA323DH80	Flat	Epoxy Coated Naval Bronze	Brushed	Circular	11.5 mm
ABA323DH81	Flat	Epoxy Coated Naval Bronze	Brushed	Vertical	11.5 mm
ABA323DH79	Flat	Epoxy Coated Naval Bronze	Mirror	***	8.5 mm
ABA323DH82	Flat	Epoxy Coated Naval Bronze	Mirror	***	11.5 mm
ABA323DH13	Flat	Naval Bronze	Brushed	Circular	8.5 mm
ABA323DH14	Flat	Naval Bronze	Brushed	Vertical	8.5 mm
ABA323DH19	Flat	Naval Bronze	Brushed	Circular	11.5 mm
ABA323DH20	Flat	Naval Bronze	Brushed	Vertical	11.5 mm
ABA323DH15	Flat	Naval Bronze	Mirror	***	8.5 mm
ABA323DH21	Flat	Naval Bronze	Mirror	***	11.5 mm
ABA323DH16	Flat	Stainless Steel	Brushed	Circular	8.5 mm
ABA323DH17	Flat	Stainless Steel	Brushed	Vertical	8.5 mm
ABA323DH22	Flat	Stainless Steel	Brushed	Circular	11.5 mm
ABA323DH23	Flat	Stainless Steel	Brushed	Vertical	11.5 mm
ABA323DH18	Flat	Stainless Steel	Mirror	***	8.5 mm
ABA323DH24	Flat	Stainless Steel	Mirror	***	11.5 mm

# PUSHBUTTONS



## With Engraving (Flat)

Part No.	Engraving	Material	Finish	Finish Grain	Button Height
ABA323DH99	ARROW	Epoxy Coated Naval Bronze	Brushed	Circular	8.5 mm
ABA323DH100	ARROW	Epoxy Coated Naval Bronze	Brushed	Vertical	8.5 mm
ABA323DH101	ARROW	Epoxy Coated Naval Bronze	Mirror	***	8.5 mm
ABA323DH102	ARROW	Epoxy Coated Naval Bronze	Brushed	Circular	11.5 mm
ABA323DH103	ARROW	Epoxy Coated Naval Bronze	Brushed	Vertical	11.5 mm
ABA323DH104	ARROW	Epoxy Coated Naval Bronze	Mirror	***	11.5 mm
ABA323DH61	ARROW	Naval Bronze	Brushed	Circular	8.5 mm
ABA323DH62	ARROW	Naval Bronze	Brushed	Vertical	8.5 mm
ABA323DH63	ARROW	Naval Bronze	Mirror	***	8.5 mm
ABA323DH67	ARROW	Naval Bronze	Brushed	Circular	11.5 mm
ABA323DH68	ARROW	Naval Bronze	Brushed	Vertical	11.5 mm
ABA323DH69	ARROW	Naval Bronze	Mirror	***	11.5 mm
ABA323DH64	ARROW	Stainless Steel	Brushed	Circular	8.5 mm
ABA323DH65	ARROW	Stainless Steel	Brushed	Vertical	8.5 mm
ABA323DH66	ARROW	Stainless Steel	Mirror	***	8.5 mm
ABA323DH70	ARROW	Stainless Steel	Brushed	Circular	11.5 mm
ABA323DH71	ARROW	Stainless Steel	Brushed	Vertical	11.5 mm
ABA323DH72	ARROW	Stainless Steel	Mirror	***	11.5 mm
ABA323DH87	CALL CANCEL	Epoxy Coated Naval Bronze	Brushed	Circular	8.5 mm
ABA323DH88	CALL CANCEL	Epoxy Coated Naval Bronze	Brushed	Vertical	8.5 mm
ABA323DH89	CALL CANCEL	Epoxy Coated Naval Bronze	Mirror	***	8.5 mm
ABA323DH90	CALL CANCEL	Epoxy Coated Naval Bronze	Brushed	Circular	11.5 mm

## Targets With Engraving, Flat (continued)

Part No.	Engraving	Material	Finish	Finish Grain	Button Height
ABA323DH91	CALL CANCEL	Epoxy Coated Naval Bronze	Brushed	Vertical	11.5 mm
ABA323DH92	CALL CANCEL	Epoxy Coated Naval Bronze	Mirror	***	11.5 mm
ABA323DH37	CALL CANCEL	Naval Bronze	Brushed	Circular	8.5 mm
ABA323DH38	CALL CANCEL	Naval Bronze	Brushed	Vertical	8.5 mm
ABA323DH39	CALL CANCEL	Naval Bronze	Mirror	***	8.5 mm
ABA323DH43	CALL CANCEL	Naval Bronze	Brushed	Circular	11.5 mm
ABA323DH44	CALL CANCEL	Naval Bronze	Brushed	Vertical	11.5 mm
ABA323DH45	CALL CANCEL	Naval Bronze	Mirror	***	11.5 mm
ABA323DH40	CALL CANCEL	Stainless Steel	Brushed	Circular	8.5 mm
ABA323DH41	CALL CANCEL	Stainless Steel	Brushed	Vertical	8.5 mm
ABA323DH42	CALL CANCEL	Stainless Steel	Mirror	***	8.5 mm
ABA323DH46	CALL CANCEL	Stainless Steel	Brushed	Circular	11.5 mm
ABA323DH47	CALL CANCEL	Stainless Steel	Brushed	Vertical	11.5 mm
ABA323DH48	CALL CANCEL	Stainless Steel	Mirror	***	11.5 mm
ABA323DH105	NON-STOP	Epoxy Coated Naval Bronze	Brushed	Circular	8.5 mm
ABA323DH106	NON-STOP	Epoxy Coated Naval Bronze	Brushed	Vertical	8.5 mm
ABA323DH107	NON-STOP	Epoxy Coated Naval Bronze	Mirror	***	8.5 mm
ABA323DH111	NON-STOP	Epoxy Coated Naval Bronze	Brushed	Circular	11.5 mm
ABA323DH112	NON-STOP	Epoxy Coated Naval Bronze	Brushed	Vertical	11.5 mm
ABA323DH113	NON-STOP	Epoxy Coated Naval Bronze	Mirror	***	11.5 mm
ABA323DH108	NON-STOP	Stainless Steel	Brushed	Circular	8.5 mm
ABA323DH109	NON-STOP	Stainless Steel	Brushed	Vertical	8.5 mm
ABA323DH110	NON-STOP	Stainless Steel	Mirror	***	8.5 mm
ABA323DH114	NON-STOP	Stainless Steel	Brushed	Circular	11.5 mm
ABA323DH115	NON-STOP	Stainless Steel	Brushed	Vertical	11.5 mm
ABA323DH116	NON-STOP	Stainless Steel	Mirror	***	11.5 mm
ABA323DH93	PUSH FOR ALARM	Epoxy Coated Naval Bronze	Brushed	Circular	8.5 mm
ABA323DH94	PUSH FOR ALARM	Epoxy Coated Naval Bronze	Brushed	Vertical	8.5 mm
ABA323DH95	PUSH FOR ALARM	Epoxy Coated Naval Bronze	Mirror	***	8.5 mm
ABA323DH96	PUSH FOR ALARM	Epoxy Coated Naval Bronze	Brushed	Circular	11.5 mm
ABA323DH97	PUSH FOR ALARM	Epoxy Coated Naval Bronze	Brushed	Vertical	11.5 mm
ABA323DH98	PUSH FOR ALARM	Epoxy Coated Naval Bronze	Mirror	***	11.5 mm

# ***PUSHBUTTONS***

<b>Part No.</b>	<b>Engraving</b>	<b>Material</b>	<b>Finish</b>	<b>Finish Grain</b>	<b>Button Height</b>
ABA323DH49	PUSH FOR ALARM	Naval Bronze	Brushed	Circular	8.5 mm
ABA323DH50	PUSH FOR ALARM	Naval Bronze	Brushed	Vertical	8.5 mm
ABA323DH51	PUSH FOR ALARM	Naval Bronze	Mirror	***	8.5 mm
ABA323DH55	PUSH FOR ALARM	Naval Bronze	Brushed	Circular	11.5 mm
ABA323DH56	PUSH FOR ALARM	Naval Bronze	Brushed	Vertical	11.5 mm
ABA323DH57	PUSH FOR ALARM	Naval Bronze	Mirror	***	11.5 mm
ABA323DH52	PUSH FOR ALARM	Stainless Steel	Brushed	Circular	8.5 mm
ABA323DH53	PUSH FOR ALARM	Stainless Steel	Brushed	Vertical	8.5 mm
ABA323DH54	PUSH FOR ALARM	Stainless Steel	Mirror	***	8.5 mm
ABA323DH58	PUSH FOR ALARM	Stainless Steel	Brushed	Circular	11.5 mm
ABA323DH59	PUSH FOR ALARM	Stainless Steel	Brushed	Vertical	11.5 mm
ABA323DH60	PUSH FOR ALARM	Stainless Steel	Mirror	***	11.5 mm

© Otis, February 2011

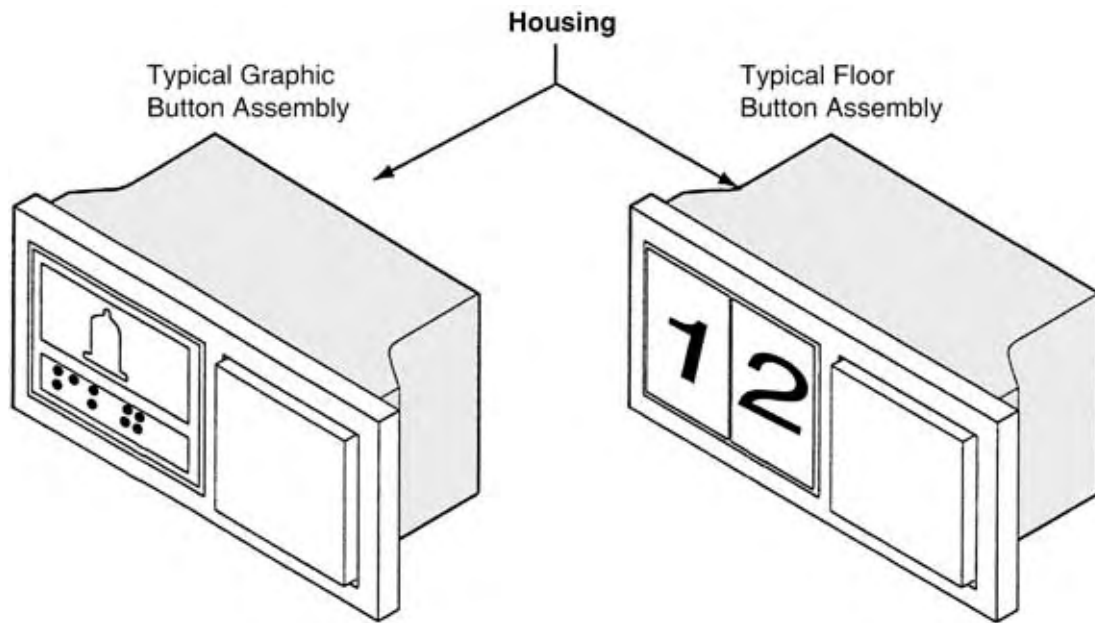


# AAA7069AAS



See SPL 31-AAA7069AAS

## Button Module Assemblies without Insert



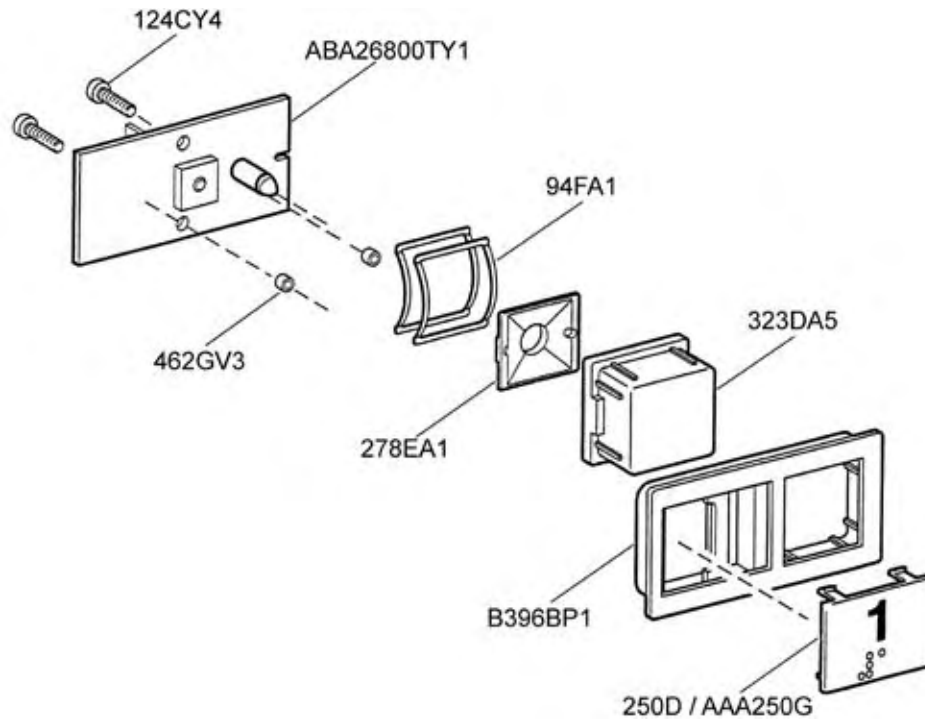
Part No.	Type	Description	Housing Thickness
AAA7069AAS5	II	Door Close with Housing Module	15.5 mm
AAA7069AAS7	II	Door Close with Housing Module	17.5 mm
AAA7069AAS3	II	Door Close without Housing Module	N/A
AAA7069AAS4	II	Door Open with Housing Module	15.5 mm
AAA7069AAS6	II	Door Open with Housing Module	17.5 mm
AAA7069AAS2	II	Door Open without Housing Module	N/A
AAA7069AAS17	I	Floor Button without Housing (for 2-Row COP)	N/A
AAA7069AAS1	I	Floor Button without Housing Module (for 3-Row COP)	N/A
AAA7069AAS12	II	Call Cancel	15.5 mm
AAA7069AAS18	II	COP Phone (Call for Help)	N/A
AAA7069AAS13	II	Illuminate Alarm, 12 V (for Province of Quebec)	15.5 mm
AAA7069AAS19	II	Illuminated Alarm without Housing, 6 V	N/A
AAA7069AAS15	II	Illuminated Alarm, 12 V (for NSAA & English Canada)	15.5 mm
AAA7069AAS16	II	Illuminated Alarm, 12 V (for NSAA & English Canada)	17.5 mm
AAA7069AAS14	II	Illuminated Alarm, 12 V (for Province of Quebec)	17.5 mm
AAA7069AAS10	II	Illuminated Alarm, 6 V (for NSAA and English Canada)	15.5 mm
AAA7069AAS11	II	Illuminated Alarm, 6 V (for NSAA and English Canada)	17.5 mm
AAA7069AAS8	II	Illuminated Alarm, 6 V (for Province of Quebec)	15.5 mm
AAA7069AAS9	II	Illuminated Alarm, 6 V (for Province of Quebec)	17.5 mm

© Otis, February 2011



# PUSHBUTTONS

## Type I Button Module Assembly

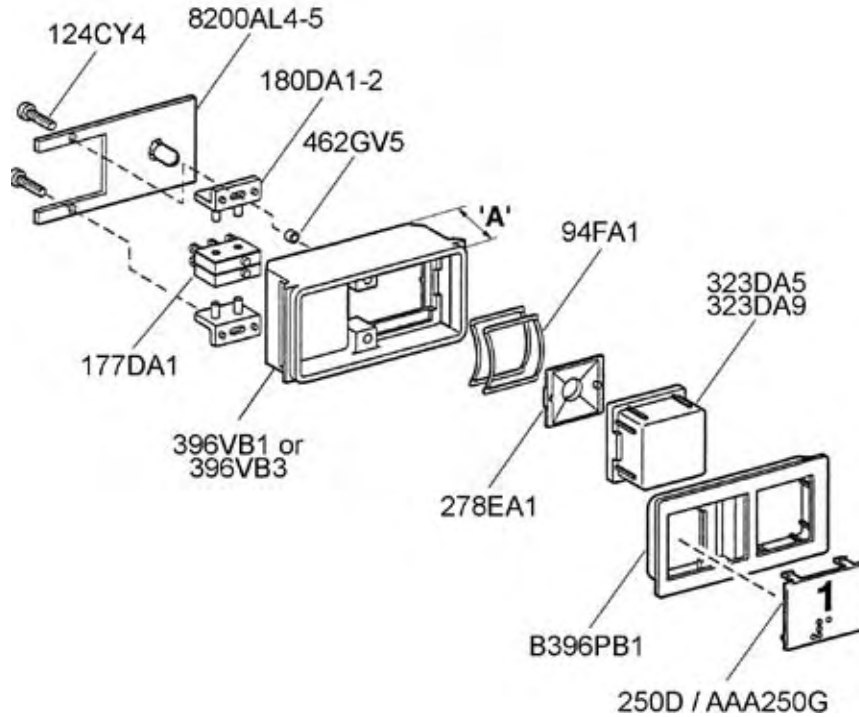


©Otis, February 2011

Part Number	Description
B396PB1	Chicklet
250D / AAA250G	Graphic Insert*
ABA26800TY1	PC Board
278EA1	Reflector
124CY4	Screw
462GV3	Spacer
94FA1	Spring
323DA5	White Target

\*Specify Marking

## Type II Button Module Assembly



© Otis, February 2011

Part Number	Description
B396PB1	Chicklet
250D / AAA250G	Graphic Insert*
396VB3	Housing, 15.5 mm Thick
396VB1	Housing, 17.5 mm Thick
177DA1	Microswitch
8200AL4	PC Board for 12 V Button
8200AL5	PC Board for 8 V Button
278EA1	Reflector
124CY4	Screw
462GV5	Spacer
94FA1	Spring
180DA1	Switch Holder (Double)
180DA2	Switch Holder (Single)
323DA5	White Target, Raised
323DA9	White Target, Raised, Marked Push for Alarm

# ***PUSHBUTTONS***

**Notes:**

©Otis, February 2011





**Notes:**

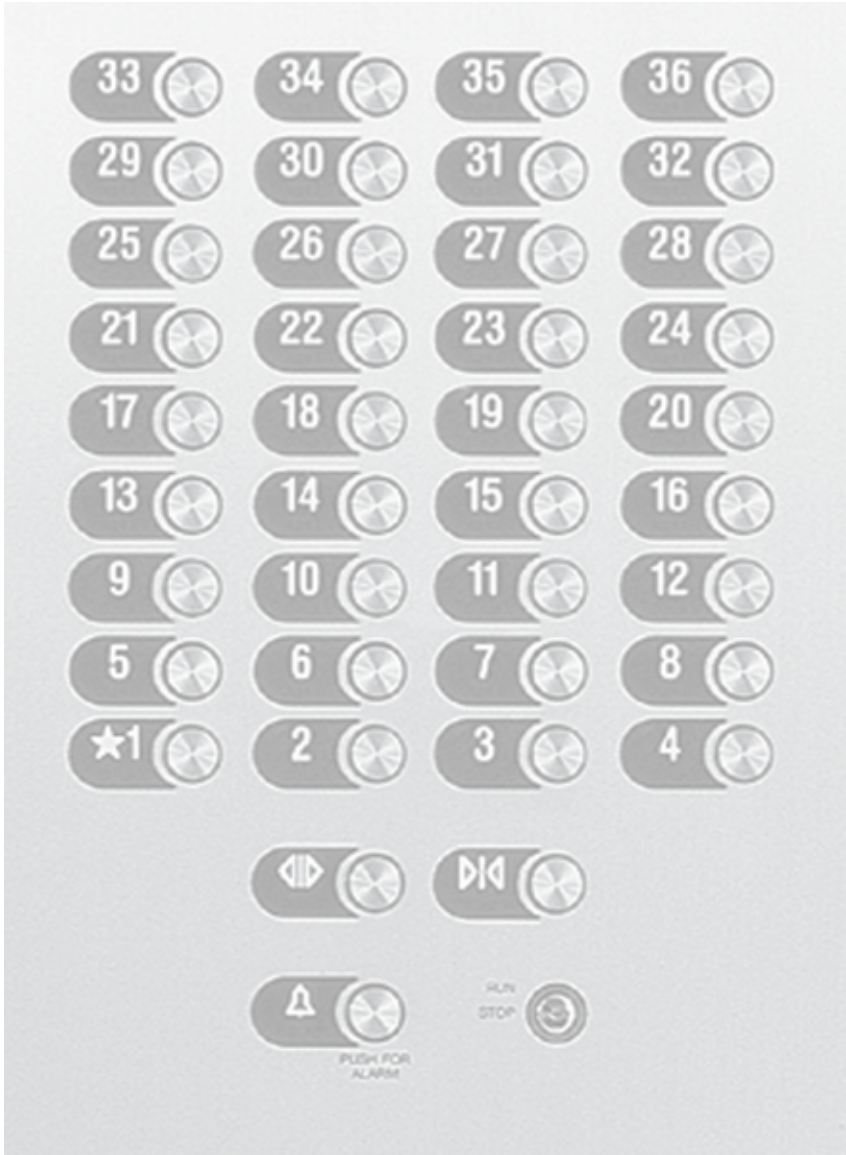


# ***PUSHBUTTONS***

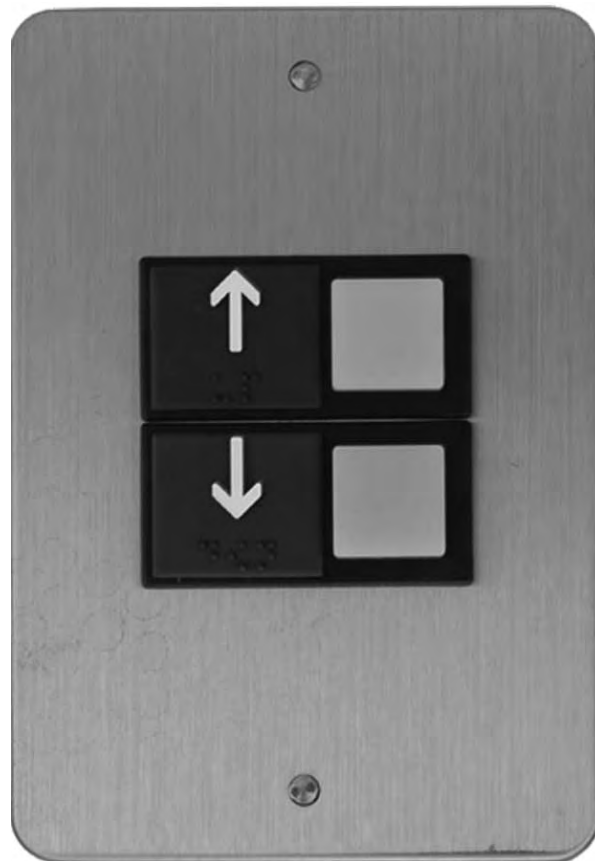
**Notes:**

©Otis, February 2011





# OTIS



Phone: 800 / 600 - 6847 • Fax: 860 / 286 - 1605