

HALL LANTERNS & PIs

OTIS[®]

***HALL LANTERNS
&
POSITION INDICATORS***

©Otis Elevator Co., March 2012

**North America: (800) 600 - 6847 • Fax (860) 286 - 1605
Elsewhere: (860) 242-3632 • Fax (860) 286 - 1657**

OTIS



Notes About This Catalog Section

Terminology, Sizing Standards, and Use

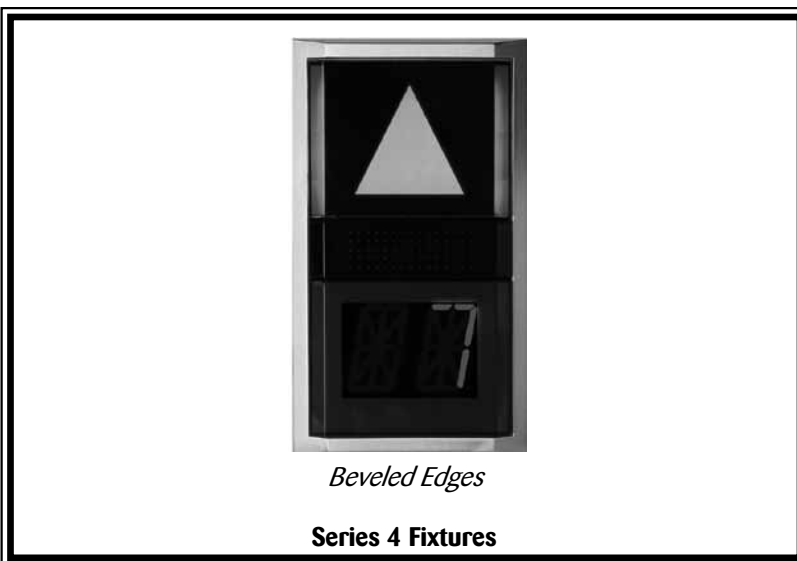
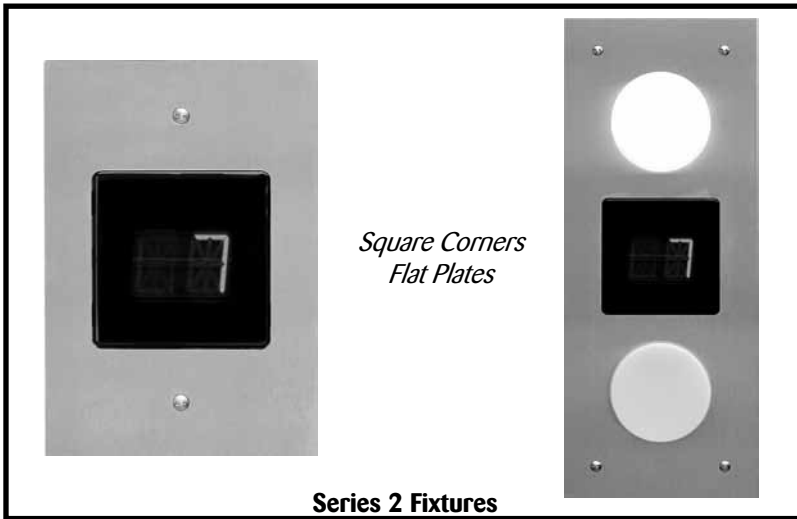
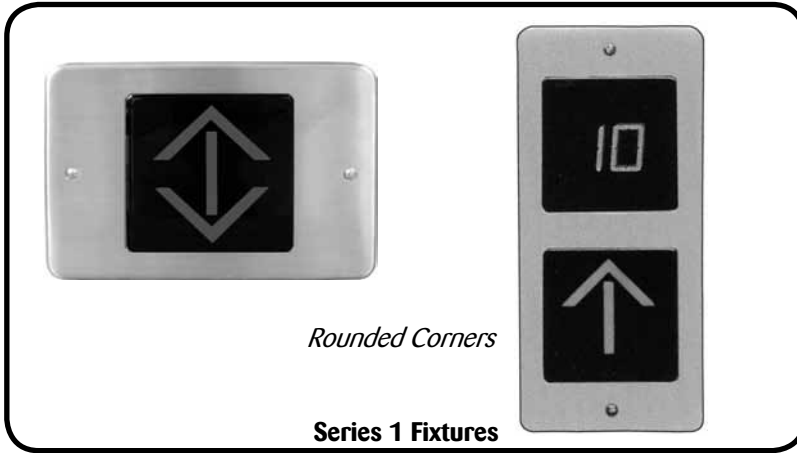
- The primary measurements shown for parts are based upon their design drawings.
- Most measurements are provided in both Imperial units (for the United States) and metric units (for Canada, Mexico, etc.). If only one form of a measurement is provided, assume Imperial units (generally inches) unless otherwise stated.
- Most Imperial measurements are rounded to the nearest tenth or hundredth of an inch and most metric measurements are rounded to the nearest millimeter.
- The term “vintage” refers to the period of time in which the original equipment was manufactured. If installation records are not available, the vintage of a component may be determined from a vintage tag affixed to the component. Shown below are two types of vintage tags used on Otis equipment over the years.

14	R-AAA24179A
----	-------------

14	6161R	
Y	VINTAGE	Y 01
REV	EN	

HALL LANTERNS & PIs

©Otis Elevator Co., March 2012



OTIS



This page intentionally left blank.

© Otis Elevator Co., March 2012



**North America: (800) 600 - 6847 • Fax (860) 286 - 1605
Elsewhere: (860) 242-3632 • Fax (860) 286 - 1657**

HALL LANTERNS & PIS

Table of Contents

Notes About This Catalog Section	2
Hall Position Indicators	7
Hall Position Indicator, Advanced Raised Assembly: Type 7069AN	7
Hall Position Indicator, with LED Jewel Module: Type AAA23600A.....	8
Hall Panel Instrument, Multi-Light: Type AAA25250B	9
Hall Position Indicator: Types AAA6646AAA and 6646EF	10
Hall Lantern/Position Indicator: Type AAA23500AAA	11
Landing Fixture Hall Position Assembly, with Flat Slim Display: Type AAA23600AB.....	12
Hall Position Indicator, Advanced Raised Assembly: Landing Fixture Hall Position Assembly, with Flat Display: Type AAA23600X	13
Landing Fixture Hall Position Assembly, with Large Flat Display: Type AAA23600Y.....	15
Hall Position Indicator, Multi-Light, Square Fixtures: Type 6651F.....	16
Hall Lanterns.....	17
Hall Lanterns and Hall Position Indicators: Type 6646CY ⇔ AAA6646FA.....	17
Hall Lantern: Type 6646DS.....	22
Hall Lanterns for Modular Control.....	24
Hall Lantern and Hall Station Indicators: Type AAA6646EZ	24
Advanced Hall Lanterns for 30-Volt Applications	26
w/o Remote Station, Terminal Landing: Type 6646DY.....	26
w/o Remote Station, Intermediate Landing: Type 6646EB	27
w/o Remote Station (with Faceplate): Type 6646EE.....	28
Advanced Hall Lantern and Position Indicator: Type 6646EG	29
Hall Lantern, Terminal Landing (with Remote Station): Type AAA6646AAB	30
Hall Lantern (with Faceplate): Type AAA6646AAD.....	32
Hall Lantern and Position Indicator (with Remote Station): Type AAA6646AAE.....	34
Hall Lantern, Slim Fixture: Type AAA23550T.....	35
Landing Fixture–In-Car Lantern Assembly: Type AAA23550U	36
Hall Lantern Assembly: Type AAA23550L Modernization.....	37
Hall Position Indicator Assembly: Type AAA23600P.....	39

OTIS



Table of Contents

Pictorial Catalog: Faceplates41
Index Listing: Faceplates.....50



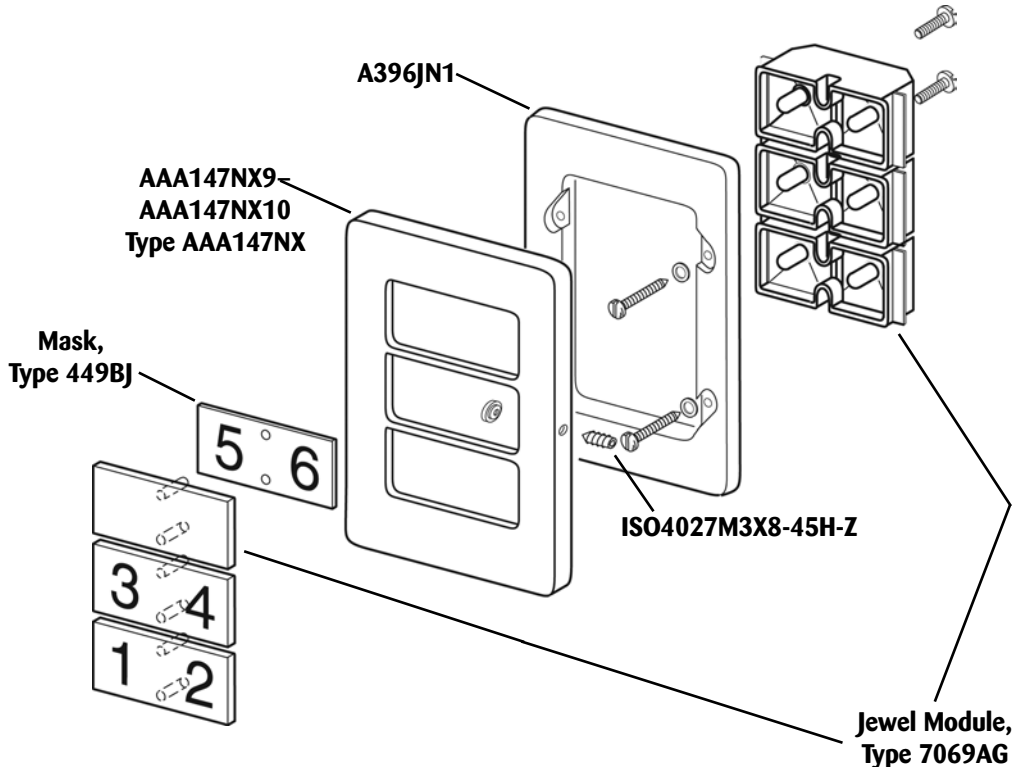
HALL LANTERNS & PIs

Hall Position Indicators

Hall Position Indicator, Advanced Raised Assembly: Type 7069AN Series 1

Refer to SPLs 22-7069AN, 32-AAA147NX, 32-AAA7069BN, and C-3032A

Part Number	Description
---	Faceplate, Type AAA147NX-
AAA147NX9-BR7	Faceplate, 1-Module, Bronze, w/ screws
AAA147NX9-SS4	Faceplate, 1-Module, Stainless Steel, w/ screws
AAA147NX10-BR7	Faceplate, 2-Module, Bronze, w/ screws
AAA147NX10-SS4	Faceplate, 2-Module, Stainless Steel, w/ screws
AAA147NX11-BR7	Faceplate, 3-Module, Bronze, w/ screws
AAA147NX11-SS4	Faceplate, 3-Module, Stainless Steel, w/ screws
A396JN1	Housing, Faceplate
---	Jewel Module, Type 7069AG
---	Mask, Type 449BJ
ISO4027M3X8-45H-Z	Screw, Cone Point Set, M3 x 8 mm



OTIS



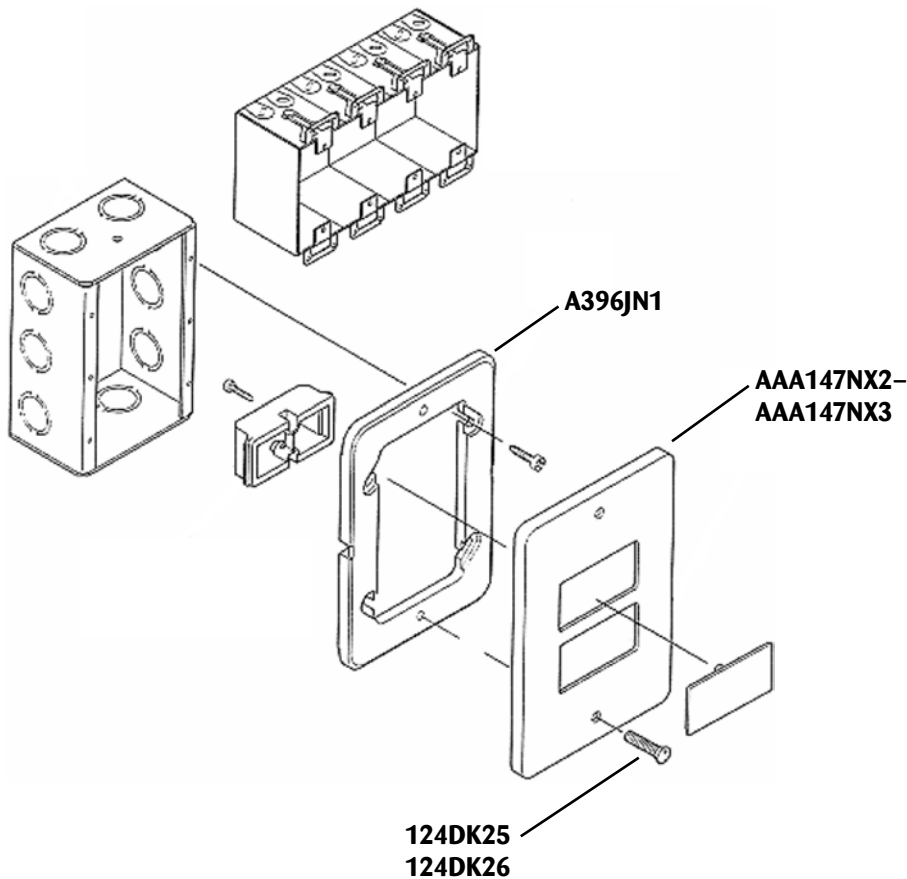
Hall Position Indicator, with LED Jewel Module:

Type AAA23600A

Series 1

Refer to SPLs 22-AAA23600A and 32-AAA147NX

Part Number	Description
AAA147NX2-BR7	Faceplate, 1-Module, Bronze
AAA147NX2-MF4	Faceplate, 1-Module, Stainless Steel
AAA147NX3-BR7	Faceplate, 2-Module, Bronze
AAA147NX3-MF4	Faceplate, 2-Module, Stainless Steel
A396JN1	Housing Panel w/Insert
124DK26	Screw, Spanner Head, M3.5, 15 mm L, Bronze
124DK25	Screw, Spanner Head, M3.5, 15 mm L, Stainless Steel



HALL LANTERNS & PIs

Hall Panel Instrument, Multi-Light: Type AAA25250B

Series 1

Refer to SPL 22-AAA25250B

Part Number	Description
174GV3	Cable Assembly
AAA147NX10-__ *	Faceplate (see also SPL 32-AAA147NX)
424R3	Lamp, 6.3 V (used w/PC Board AAA26800PB2)
424R2	Lamp, 14 V (used w/PC Board AAA26800PB1)
424R1	Lamp, 28 V (used w/PC Board 8200JA1)
---	Lens, Type 443CB
---	Mask, Type 449BJ
A396JN1	Panel, Housing
AAA26800PB2	PC Board, 6 V Application
AAA26800PB1	PC Board, 12 V Application
8200JA1	PC Board, 30 V Application
GFA23550D10	PC Board, RS5 (see also SPL 31-AAA25000DQ)
174DD11	Wire, Ground



A396JN1

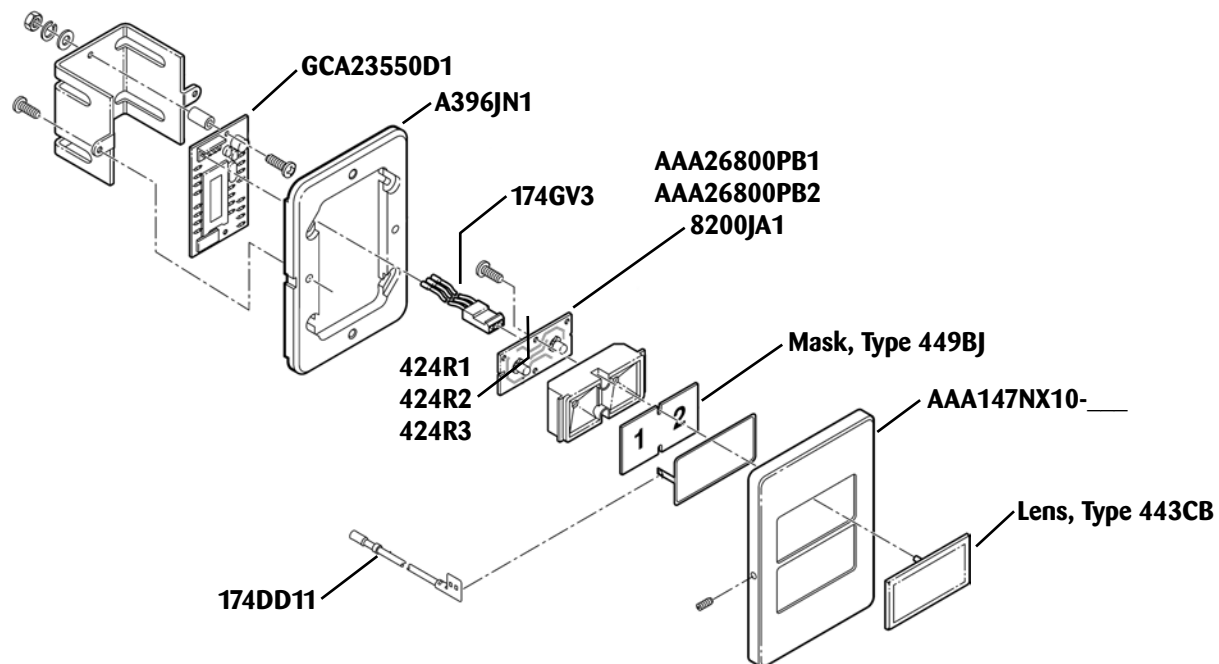
* Add material/finish designation:

BR7 = Brushed Brass

BR8 = Mirror Brass

SS4 = Brushed Stainless Steel

SS8 = Mirror Stainless Steel



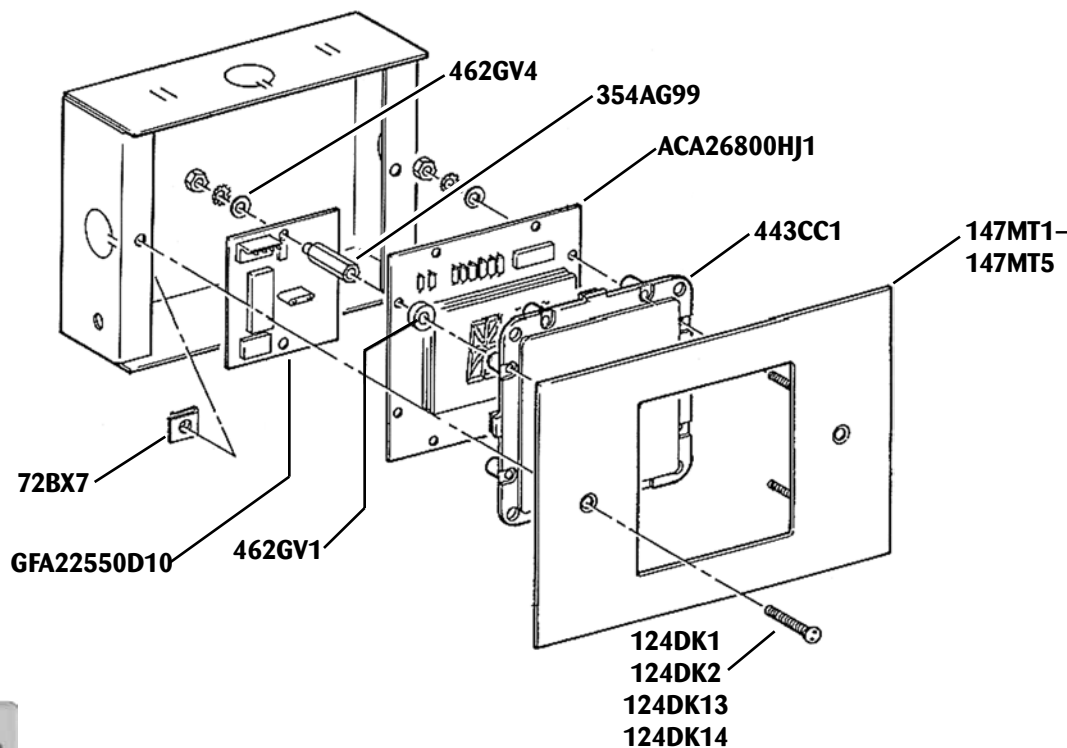
OTIS



Hall Position Indicator: Types AAA6646AAA and 6646EF Series 2

Refer to SPLs 22-AAA6646AAA and C-3029

Part Number		Description
AAA6646AAA	6646EF	
72BX7	72BX7	Clip
354AG99	---	Distance Piece
147MT2	147MT2	Faceplate, Brass, Brushed Finish
147MT4	147MT4	Faceplate, Brass, Mirror Finish
147MT1	147MT1	Faceplate, Stainless Steel, Brushed Finish
147MT5	147MT5	Faceplate, Stainless Steel, Mill 4 Finish
147MT3	147MT3	Faceplate, Stainless Steel, Mirror Finish
443CC1	443CC1	Lens
ACA26800HJ1	ACA26800HJ1	PC Board, Position Indicator
GFA23550D10	---	PC Board, Remote Station - 5
124DK2	124DK2	Screw, Spanner Head, Brass, Brushed Finish
124DK1	124DK1	Screw, Spanner Head, Brass, Mirror Finish
124DK14	124DK14	Screw, Spanner Head, Brass, Mirror Finish
124DK13	124DK13	Screw, Spanner Head, Stainless Steel, Mirror Finish
462GV1	462GV1	Spacer
462GV4	462GV4	Spacer



© Otis Elevator Co., March 2012

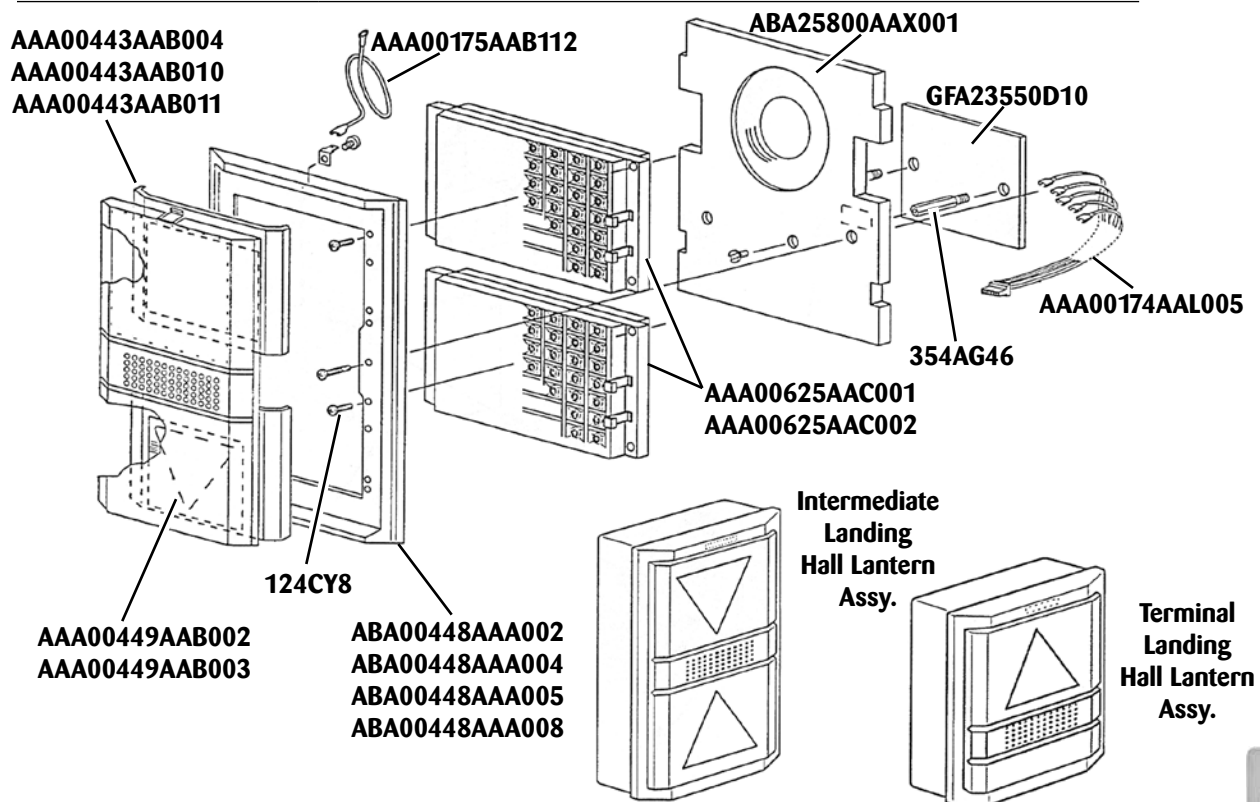
HALL LANTERNS & PIS

Hall Lantern/Position Indicator: Type AAA23500AAA

Series 4

Refer to SPL 34-AAA23550B

Part Number	Description
AAA00174AAL005	Cable (Hall Lantern to RS-4)
AAA0017AAB112	Conductor, Grounding
AAA00443AAB011	Diffuser, w/Direction Arrow. Used with grey lens.
AAA00443AAB004	Diffuser, w/Direction Arrow. Used with white lens.
AAA00443AAB010	Diffuser, w/o Direction Arrow. Used with grey lens.
354AG46	Distance Piece, 23.77 mm Long
ABA00448AAA005	Frame, Bronze, Brushed Finish
ABA00448AAA004	Frame, Bronze, Mirror Finish
ABA00448AAA008	Frame, Stainless Steel, Brushed Finish
ABA00448AAA002	Frame, Stainless Steel, Mirror Finish
AAA00625AAC002	LED Array, Green
AAA00625AAC001	LED Array, Red
AAA00449AAB003	Lens, Grey, 8.7 in. Long
AAA00449AAB002	Lens, White, 8.7 in. Long
ABA26800AAX001	PC Board, Hall Lantern
GFA23550D10	PC Board, Remote Station 5
124CY8	Screw, Self-Tapping, M3 X 10



North America: (800) 600 - 6847 • Fax (860) 286 - 1605
 Elsewhere: (860) 242-3632 • Fax (860) 286 - 1657

OTIS



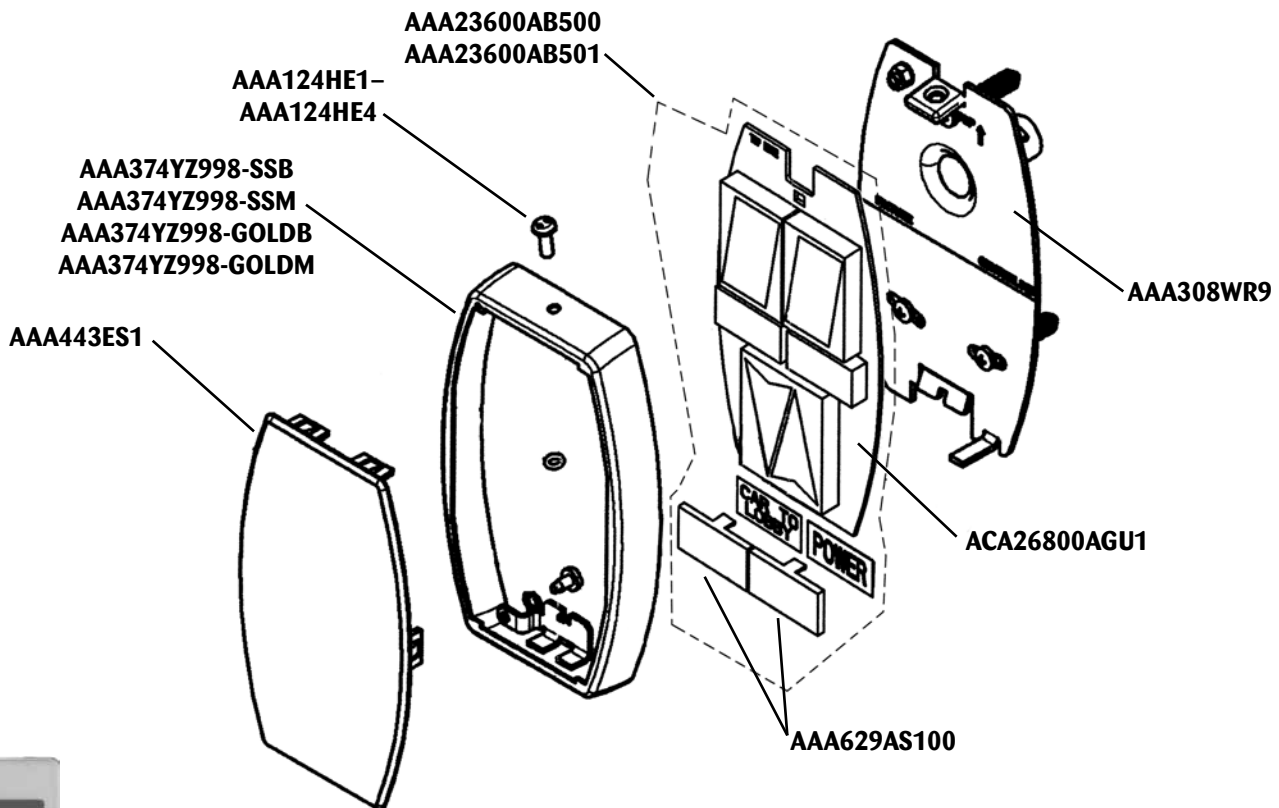
Landing Fixture Hall Position Assembly, with Flat Slim Display: Type AAA23600AB

Series 5

Refer to SPL 22-AAA23600AB

Part Number	Description
AAA308WR9	Box
AAA175ABY1	Conductor (Not Shown)
AAA629AS100	Cover, OPTO Device
AAA374YZ998-GOLDB	Frame, Bronze, Brushed
AAA374YZ998-GOLDM	Frame, Bronze, Mirror
AAA374YZ998-SSB	Frame, Stainless Steel, Brushed
AAA374YZ998-SSM	Frame, Stainless Steel, Mirror
AAA443ES1	Lens
ACA26800AGU1	PC Board
AAA23600AB500	PC Board, RSL, with "Power" and "Car to Lobby" Masks, and Lenses, English
AAA23600AB501	PC Board, RSL, with "Power" and "Car to Lobby" Masks, and Lenses, French
AAA124HE2	Screw, M4, Tamper Proof, Bronze, Brushed (GOLDB)
AAA124HE4	Screw, M4, Tamper Proof, Bronze, Mirror (GOLDM)
AAA124HE1	Screw, M4, Tamper Proof, Stainless Steel, Brushed (SSB)
AAA124HE3	Screw, M4, Tamper Proof, Stainless Steel, Mirror (SSM)

© Otis Elevator Co., March 2012

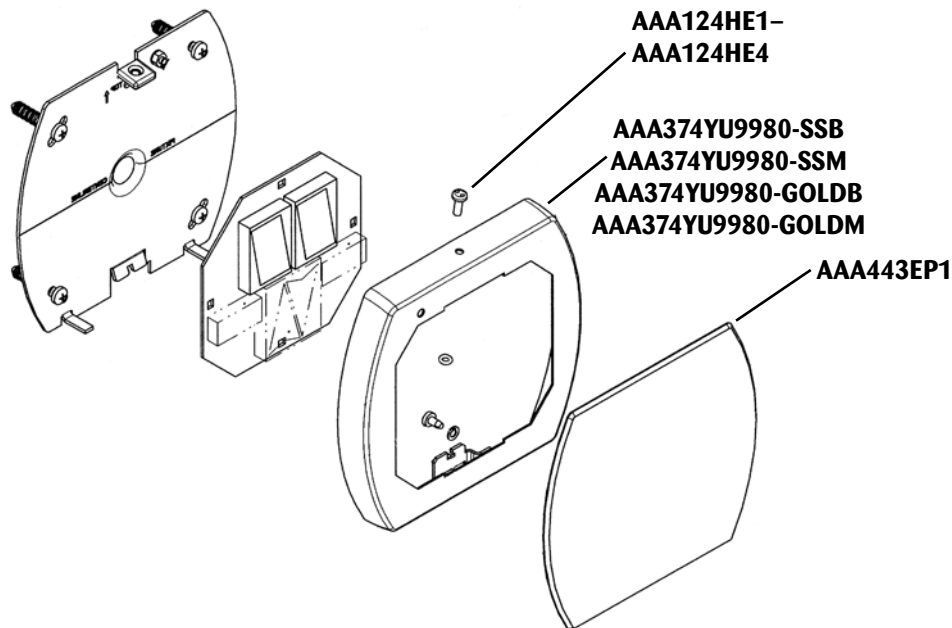


HALL LANTERNS & PIS

Hall Position Indicator, Advanced Raised Assembly: Landing Fixture Hall Position Assembly, with Flat Display: Type AAA23600X Series 5

Refer to SPL 22-AAA23600X

Part Number	Description
AAA175ABY1	Conductor (Not Shown)
AAA374YU998-GOLDB	Frame, Brass, Brushed
AAA374YU998-GOLDM	Frame, Brass, Mirror
AAA374YU998-SSB	Frame, Stainless Steel, Brushed
AAA374YU998-SSM	Frame, Stainless Steel, Mirror
AAA443EP1	Lens
AAA124HE2	Screw, Tamperproof, M4, Brass, Brushed (GOLDB)
AAA124HE4	Screw, Tamperproof, M4, Brass, Mirror (GOLDM)
AAA124HE1	Screw, Tamperproof, M4, Stainless Steel, Brushed (SSB)
AAA124HE3	Screw, Tamperproof, M4, Stainless Steel, Mirror (SSM)

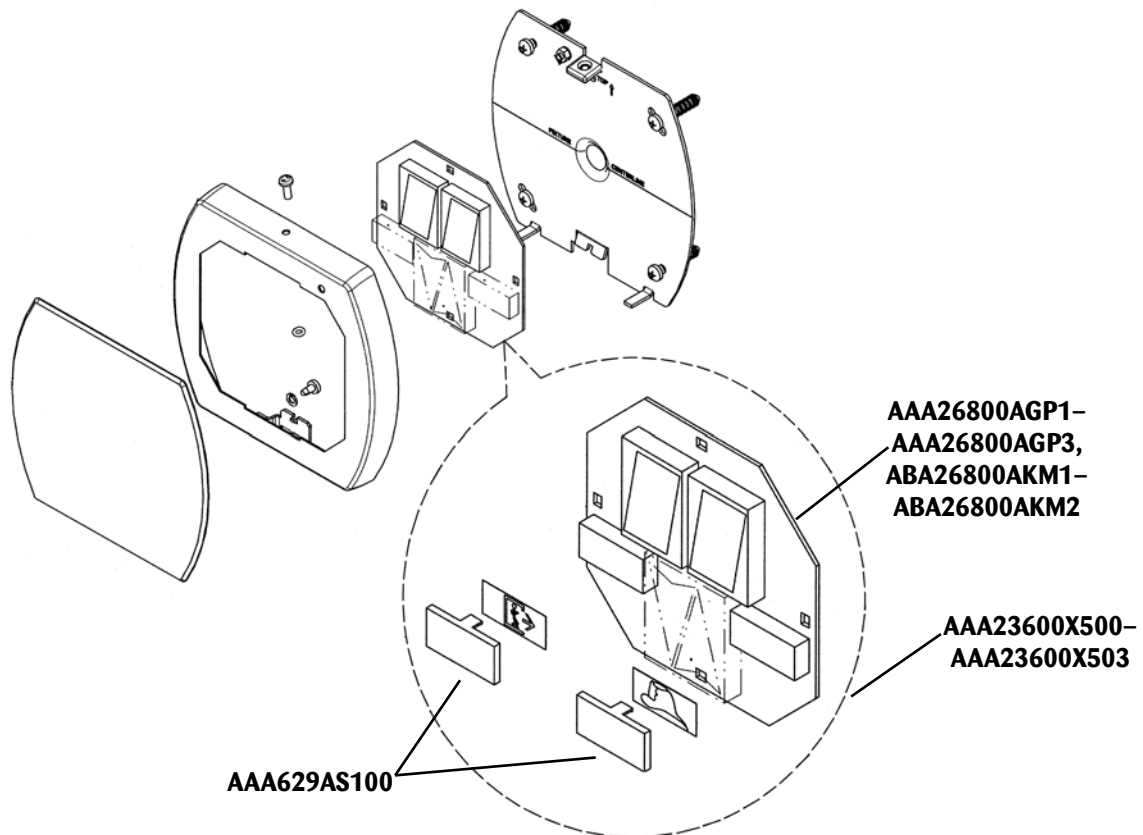


OTIS



Type AAA23600X (continued)

Part Number	Description
AAA629AS100	Cover, OPTO Device
ABA26800AKM1	PC Board, Discrete. Includes: Landing Passing Tone, Position Indicators, and Jewels
ABA26800AKM2	PC Board, Discrete. Includes: Position Indicators PC Board.
AAA26800AGP1	Includes: Direction Arrows, Landing Passing Tone, Position Indicators, and Jewels NOTE: Part is obsolete. Call OSC Customer Service for additional information.
AAA26800AGP2	PC Board. Includes: Landing Passing Tone, Position Indicators, and Jewels
AAA26800AGP3	PC Board. Includes: Position Indicators
AAA23600X501	PCB, Discrete p/n AAA26800AKM2, with "Fire Hat" and "Please Exit" Symbol Masks and a Cover, French
AAA23600X503	PCB, Discrete p/n ABA26800AKM1, with "Fire Hat" and "Please Exit" Symbol Masks and a Cover, French
AAA23600X500	PCB, RSL p/n AAA26800AGP1, with "Fire Hat" and "Please Exit" Symbol Masks and a Cover, English
AAA23600X502	PCB, RSL p/n AAA26800AGP2, with "Fire Hat" and "Please Exit" Symbol Masks and a Cover, English



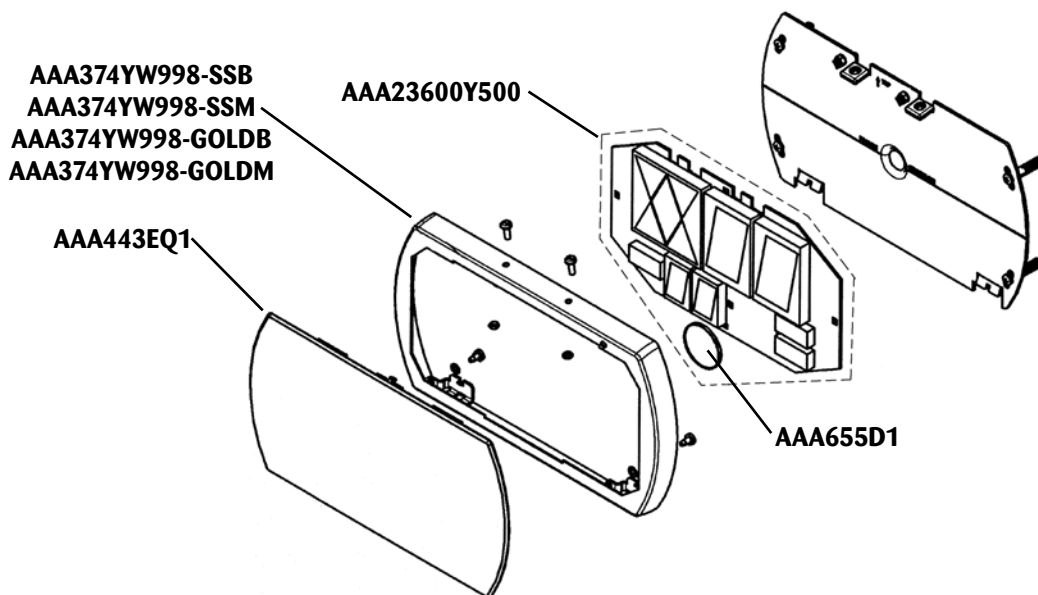
© Otis Elevator Co., March 2012

HALL LANTERNS & PIs

Landing Fixture Hall Position Assembly, with Large Flat Display: Type AAA23600Y Series 5

Refer to SPL 22-AAA23600Y

Part Number	Description
AAA175ABY4	Conductor
AAA374YW998-GOLDB	Frame, Bronze, Brushed
AAA374YW998-GOLDM	Frame, Bronze, Mirror
AAA374YW998-SSB	Frame, Stainless Steel, Brushed
AAA374YW998-SSM	Frame, Stainless Steel, Mirror
AAA443EQ1	Lens
AAA23600Y500	PC Board, RSL, Including "Next Stop" Mask, Lens, Tape, and Transducer
AAA124HE2	Screw, M4, Tamper Proof, Bronze, Brushed (GOLDB)
AAA124HE4	Screw, M4, Tamper Proof, Bronze, Mirror (GOLDM)
AAA124HE1	Screw, M4, Tamper Proof, Stainless Steel, Brushed (SSB)
AAA124HE3	Screw, M4, Tamper Proof, Stainless Steel, Mirror (SSM)
AAA297BK2	Tape, Adhesive
AAA655D1	Transducer, Communications (w/o AAA297BK2 adhesive tape)



OTIS



Hall Position Indicator, Multi-Light, Square Fixtures:

Type 6651F

Refer to SPL 22-6651F

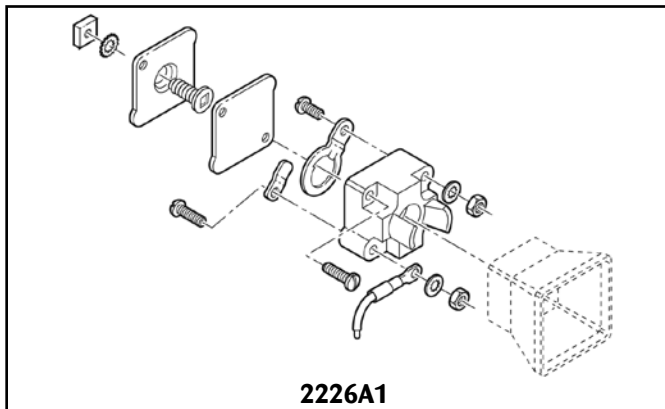
Part Number	Description
6644A2	Assembly, Lamp Receptacle. For individual connection.
2226A1	Assembly, Lamp Receptacle. For individual connection. Includes fastenings. Consists of: 1 lamp receptacle assembly (p/n 6644A2), 1 insulating barrier, 1 plate, and hardware
6644A3	Assembly, Lamp Receptacle. For single bus bar connection.
2226A2	Assembly, Lamp Receptacle. For single bus bar connection. Includes Fastenings. Consists of: 1 lamp receptacle assembly (p/n 6644A3), 1 rivet, 1 insulating barrier, 1 plate, and hardware



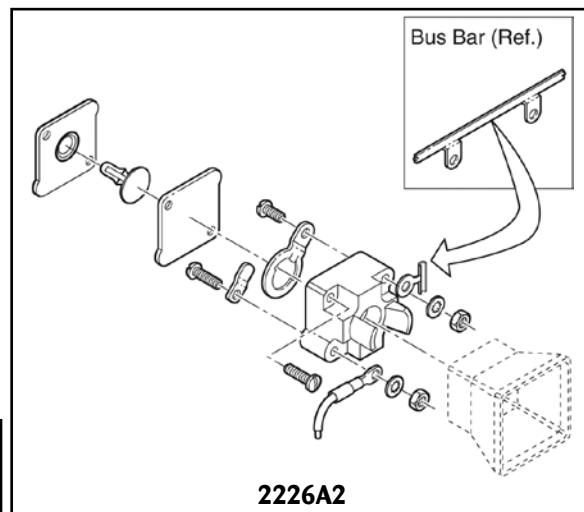
Type 6651F: Round Fixtures



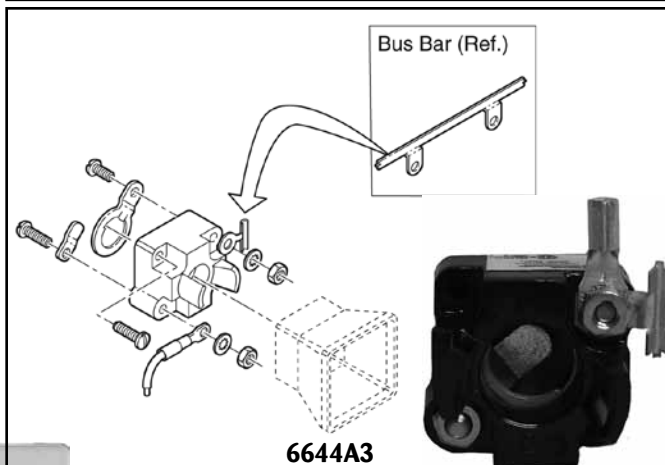
Type 6651F: Square Fixtures



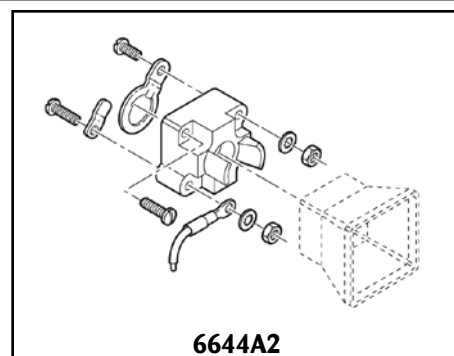
2226A1



2226A2



6644A3



6644A2

HALL LANTERNS & PIs

Hall Lanterns

Hall Lanterns and Hall Position Indicators:

Type 6646CY ⇨ AAA6646FA

Series 1

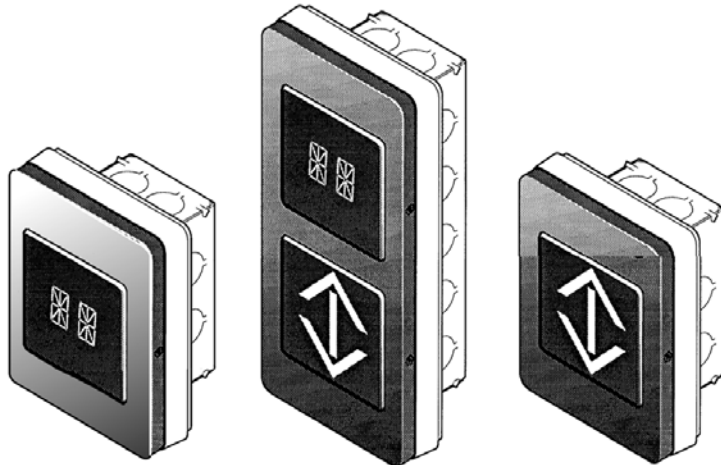
Refer to SPL 34-6646CY

©Otis Elevator Co., March 2012

Look for component tags like these

W/O VINTAGE		
34	A6646CY	
	VINTAGE	Y01
34	A6646DS	
	VINTAGE	Y01
34	A6646DT	
	VINTAGE	Y01

34	R - AA*6646ER
34	R - AA*6646ES
34	R - AA*6646EV
34	R - AA*6646EX
34	R - AA*6646EY
34	R - AA*6646FA



OTIS



Hall Lanterns and Hall Position Indicators:

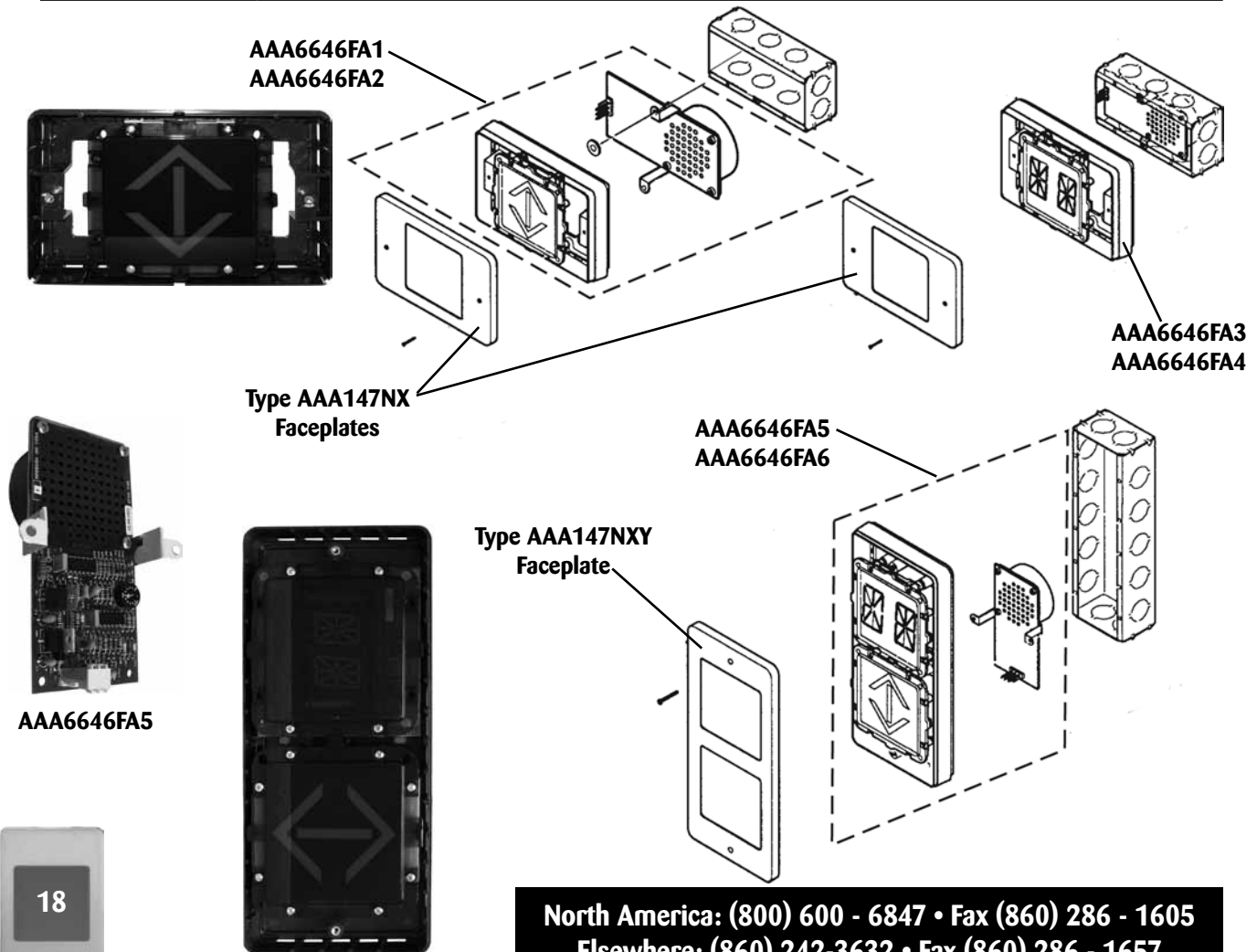
Type 6646CY ⇨ AAA6646FA (continued)

Series 1

Refer to SPL 34-6646CY

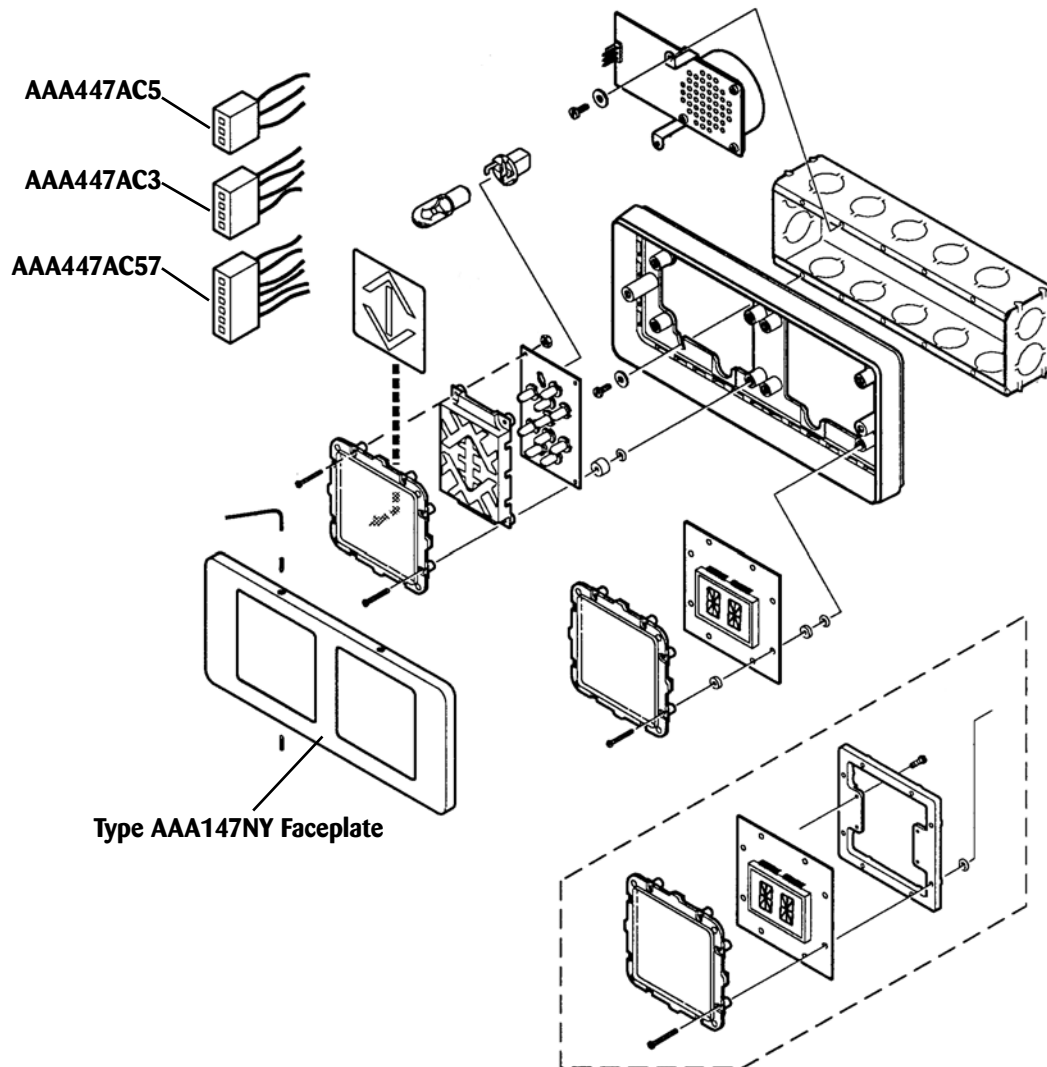
Part Number	Description
AAA6646FA5	Assembly, Combination Hall Lantern & Position Indicator, Horizontal Mounting, w/Gong PC Board and w/o Faceplate and Wall Box
AAA6646FA1	Assembly, Hall Lantern, Horizontal Mounting, w/Gong PC Board and w/o Faceplate and Wall Box
AAA6646FA3	Assembly, Position Indicator, Horizontal Mounting, and w/o Gong PC Board, Faceplate, and Wall Box
AAA6646FA6	Assembly, Combination Hall Lantern & Position Indicator, Vertical Mounting, w/Gong PC Board and w/o Faceplate and Wall Box
AAA6646FA2	Assembly, Hall Lantern, Vertical Mounting, w/Gong PC Board and w/o Faceplate and Wall Box
AAA6646FA4	Assembly, Position Indicator, Vertical Mounting, and w/o Gong PC Board, Faceplate, and Wall Box

© Otis Elevator Co., March 2012



HALL LANTERNS & PIs

Part Number	Description
AAA447AC5	Connector, Feed-Thru, 3-Circuit
AAA447AC3	Connector, Feed-Thru, 4-Circuit
AAA447AC57	Connector, Feed-Thru, 6-Circuit



OTIS



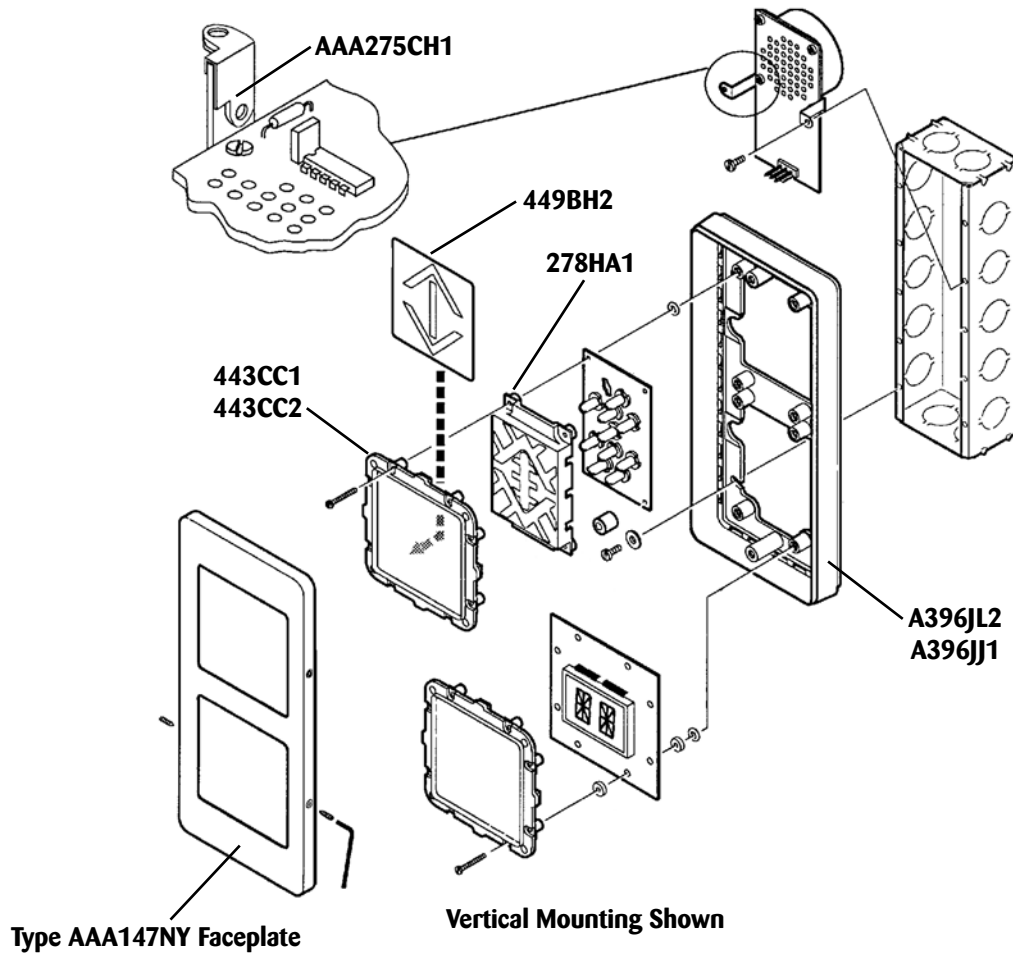
Hall Lanterns and Hall Position Indicators:

Type 6646CY ⇨ AAA6646FA (continued)

Series 1

Refer to SPL 34-6646CY

Part Number	Description
449BH2	Diffuser, Lantern
A396JL2	Housing. For Combination Hall Lantern and Hall Position Indicator.
A396JJ1	Housing. For Hall Lantern or Hall Position Indicator.
AAA275CH1	Insulator, Bracket
443CC1	Lens, Green
443CC2	Lens, Red
278HA1	Reflector

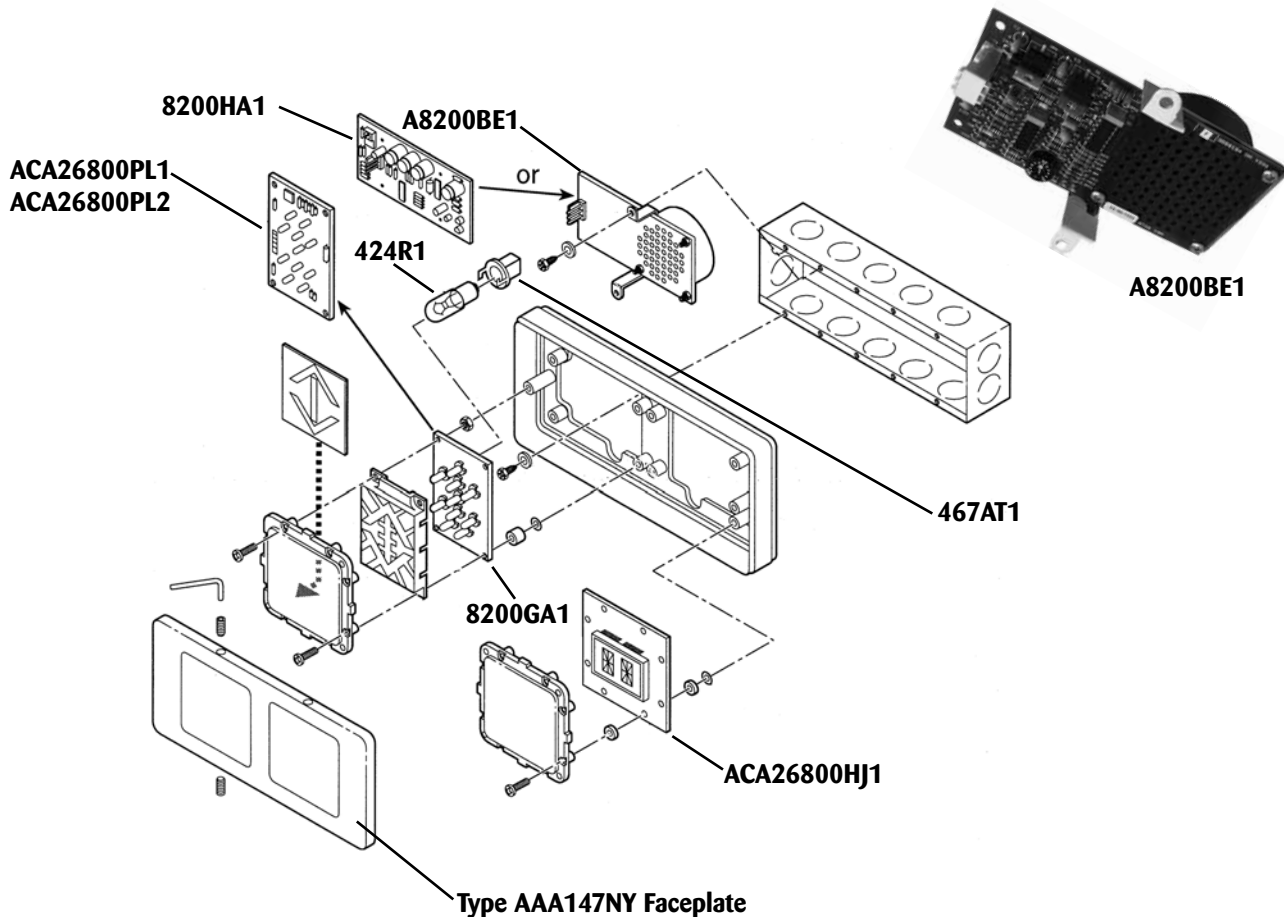


© Otis Elevator Co., March 2012

HALL LANTERNS & PIs

Part Number	Description
424R1	Lamp, 28 V
8200HA1	PC Board, Gong w/Audible Alarm (used in systems July 1981–June 1984)
A8200BE1	PC Board, Gong w/Chime Speaker(used in systems July 1984–Current)
8200GA1	PC Board, Lantern
ACA26800PL2	PC Board, Lantern, LED, Green Illumination. Used with 443CC1 Green Lens.
ACA26800PL1	PC Board, Lantern, LED, Red Illumination. Used with 443CC2 Red Lens.
ACA26800HJ1	PC Board, Position Indicator
467AT1	Socket, Lamp

©Otis Elevator Co., March 2012



North America: (800) 600 - 6847 • Fax (860) 286 - 1605
 Elsewhere: (860) 242-3632 • Fax (860) 286 - 1657

OTIS

Hall Lantern: Type 6646DS

Series 1

Refer to SPL 34-6646DS

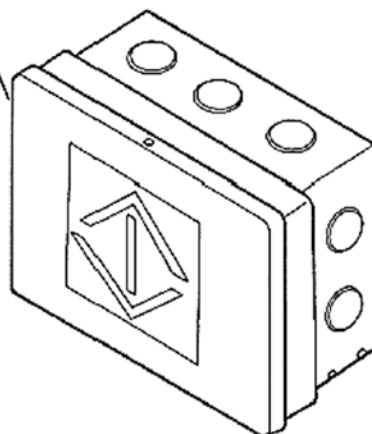
W/O Gong	W/Gong	Description	Mounting	Finish
6646DS5	6646DS1	Hall Lantern	Horizontal	Stainless Steel
6646DS7	6646DS3	Hall Lantern	Horizontal	Bronze
6646DS6	6646DS2	Hall Lantern	Vertical	Stainless Steel
6646DS8	6646DS4	Hall Lantern	Vertical	Bronze



TYPE

6646DS	A6646DS	Description
P614AS1		Connector, 3-Circuits
449BH2		Diffuser
147SB2		Faceplate, Bronze with Set Screws
147SB1		Faceplate, Stainless Steel with Set Screws
8200HA1	---	Gong PC Board (Original Design)
---	A8200BE1	Gong PC Board (New Design)
A396JJ1		Housing
467AT1		Lamp Socket
424R1		Lamp, 28 V
443CC1		Lens, Green
8200GA1		PC Board, Lantern
278HA1		Reflector
VP-860730		Set Screw, Cone Point
C8121BB1		Switch Module, Semi-Conductor

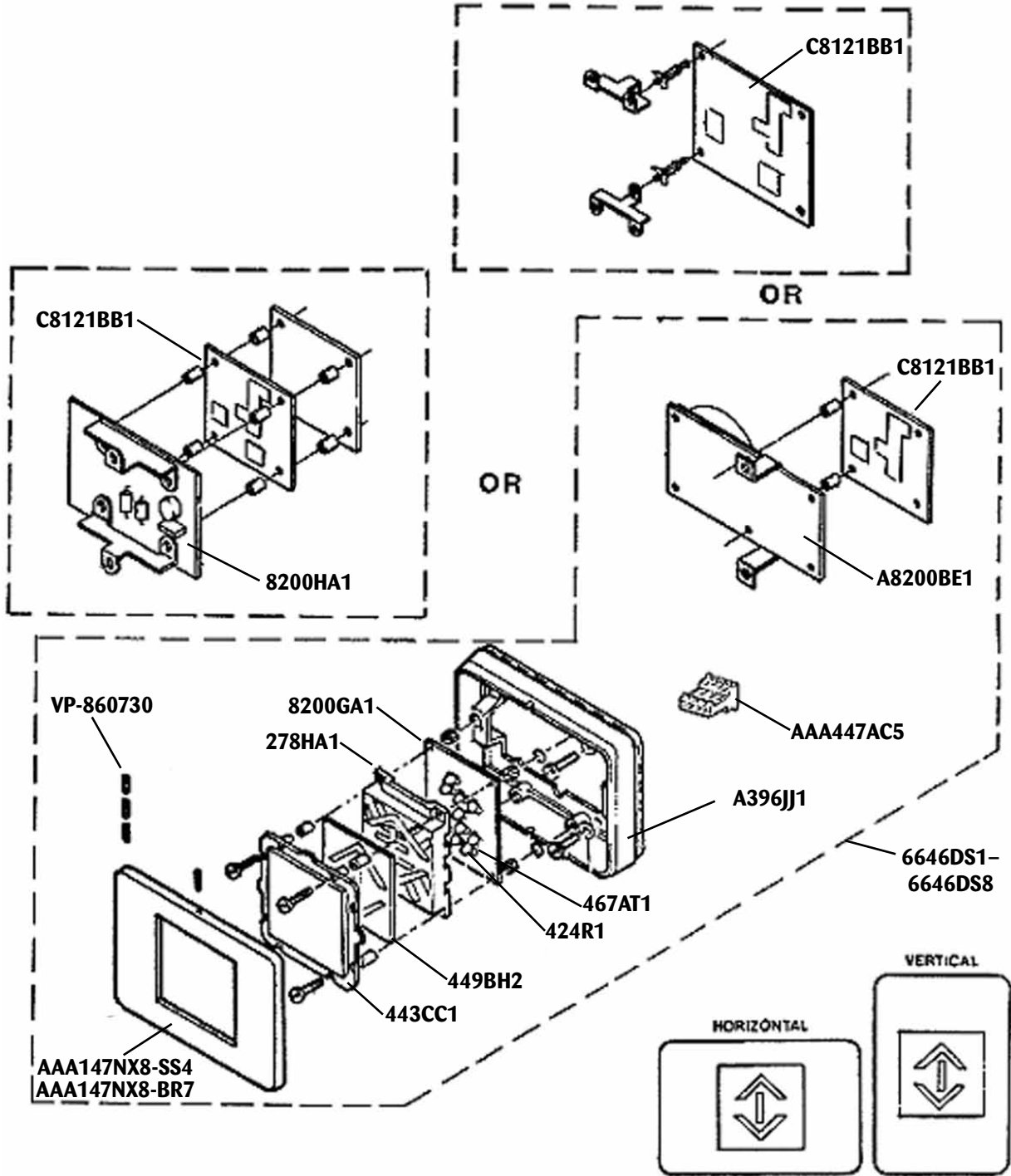
34	6646DS	
Y	VINTAGE	Y 01
REV	EN	



© Otis Elevator Co., March 2012

HALL LANTERNS & PIs

©Otis Elevator Co., March 2012



OTIS



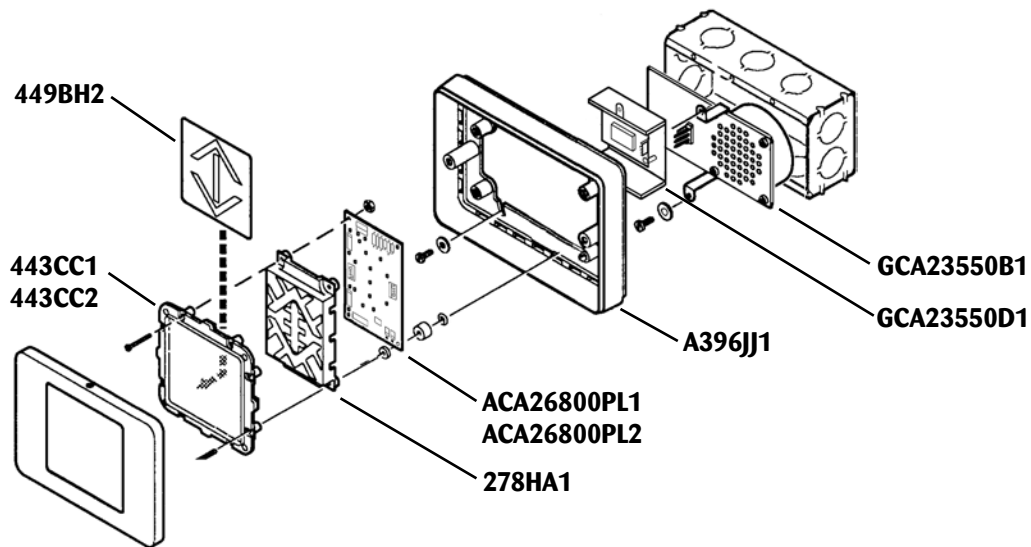
Hall Lanterns for Modular Control

Hall Lantern and Hall Station Indicators: Type AAA6646EZ

Series 1

Refer to SPL 34-AAA6646EZ

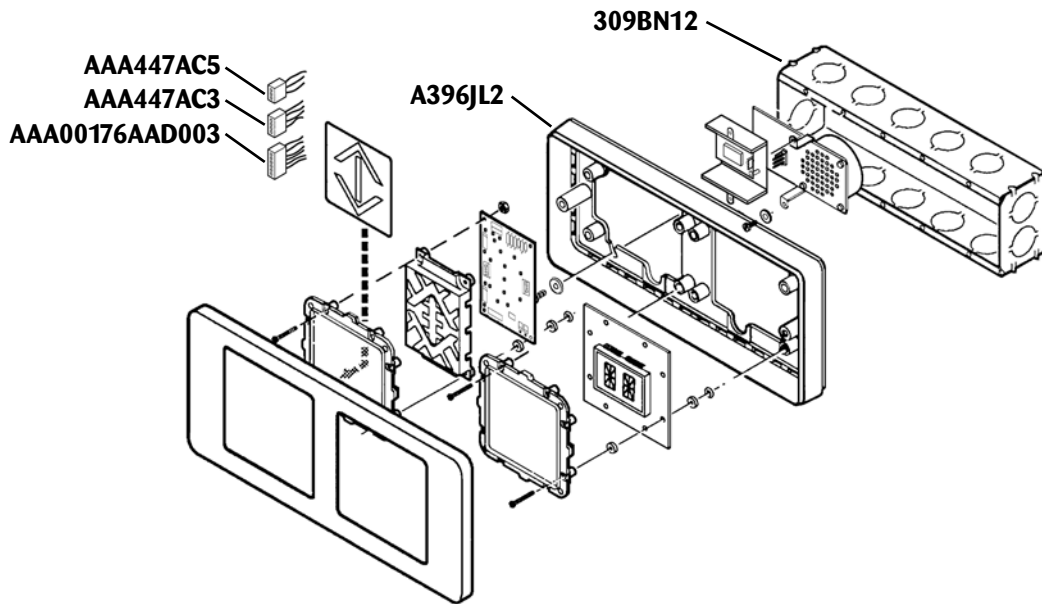
Part Number	Description
449BH2	Diffuser-Mask
A396JJ1	Housing
443CC1	Lens, Green
443CC2	Lens, Red
ACA26800PL1	PC Board, Lantern, for Red Filter 443CC2
ACA26800PL2	PC Board, Lantern, for Green Filter 443CC1
GCA23550B1	PC Board, Modular Gong
GFA23550D10	PC Board, Remote-Station 5 (RS5)
278HA1	Reflector



HALL LANTERNS & PIs

Part Number	Description
309BN12	Box, Electrical, 5-Gang
AAA447AC5	Connector, Feed-Through, 3-Circuit
AAA447AC3	Connector, Feed-Through, 4-Circuit
AAA447AC57	Connector, Feed-Through, 6-Circuit
A396JL2	Housing

©Otis Elevator Co., March 2012



OTIS



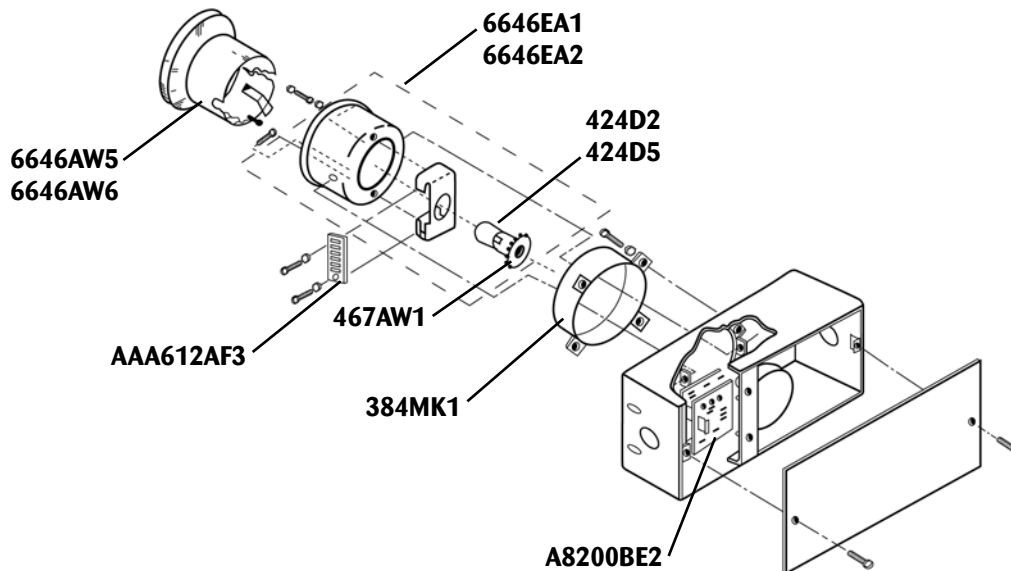
Advanced Hall Lanterns for 30-Volt Applications

w/o Remote Station, Terminal Landing: Type 6646DY

Series 2

Refer to SPL 34-6646DY

Part Number	Description
AAA612AF3	Diode, with Slewing
6646EA2	Frame, Stainless Steel Color. With Lamp (28 V) and Bracket
384MK1	Guard
467AW1	Lamp Holder w/12" Wire Leads
424D2	Lamp, 28 V, Bayonet Base
424D5	Lamp, 35 V, For Longer Life but Lower Illumination
6646AW5	Lens, 3-5/8" Dia. w/Clear Filter
6646AW6	Lens, 3-5/8" Dia. w/Red Filter
A8200BE2	PC Board Gong Assembly
6646EA1	Used with Safety Shoe or Detector



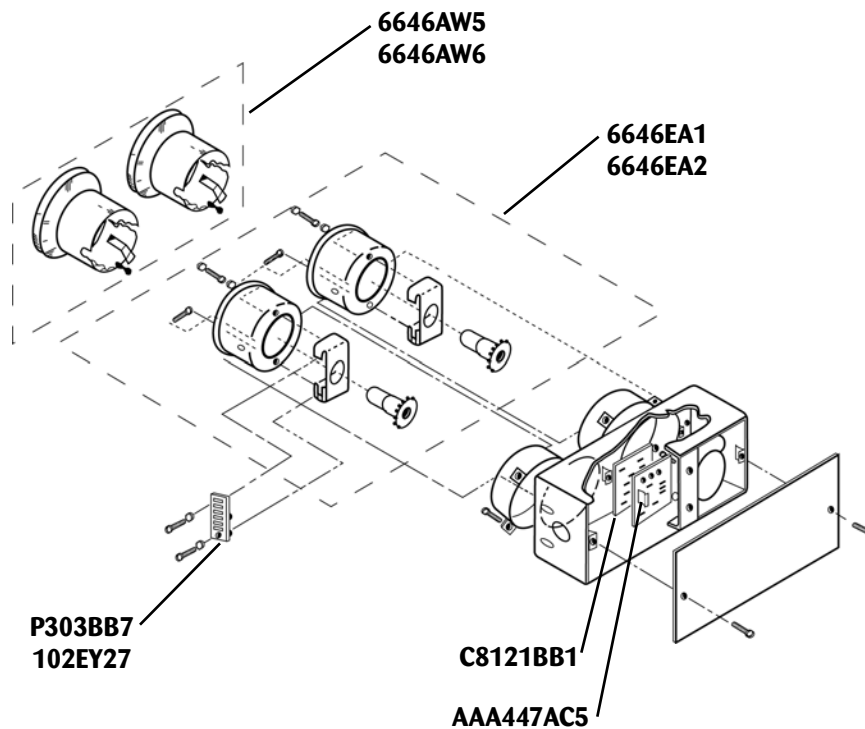
© Otis Elevator Co., March 2012

HALL LANTERNS & PIs

w/o Remote Station, Intermediate Landing: Type 6646EB Series 2

Refer to SPL 34-6646EB

Part Number	Description
AAA447AC5	Connector
6646EA2	Lamp Bracket Assembly, Brass Color
6646EA1	Lamp Bracket Assembly, Stainless Steel Color
6646AW5	Lens Assembly, Clear Lens
6646AW6	Lens Assembly, Red Lens
102EY27	Marking Strip, 4" long
C8121BB1	PC Board, Power Buffer
P303BB7	Terminal Block



OTIS

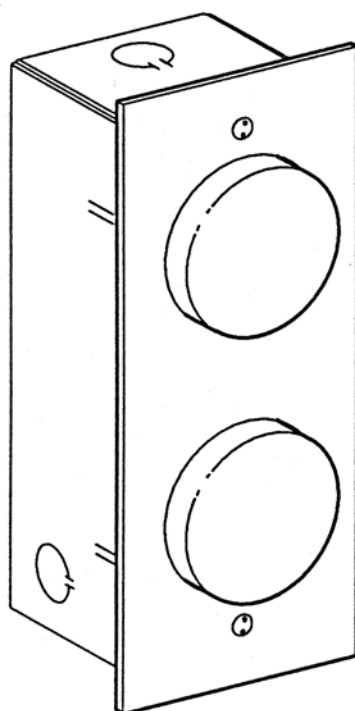
Advanced Hall Lanterns for 30-Volt Applications (continued)

w/o Remote Station (with Faceplate): Type 6646EE

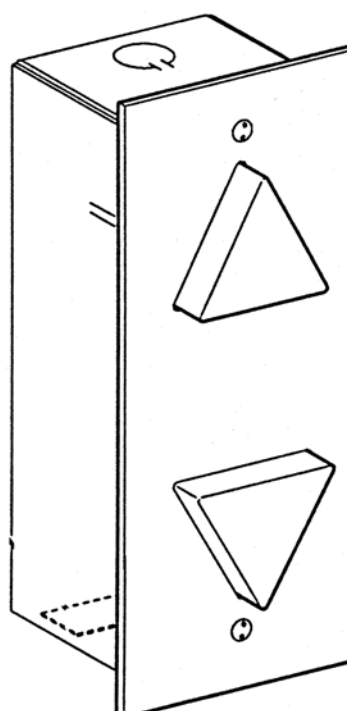
Series 2

Refer to SPL 34-6646EE

NOTE: Please call Customer Service for more information and parts availability.



Faceplate Type 147LT
Round Lens p/n A449BA1



Faceplate Type 147LT
Triangular Lens p/n A449AS1

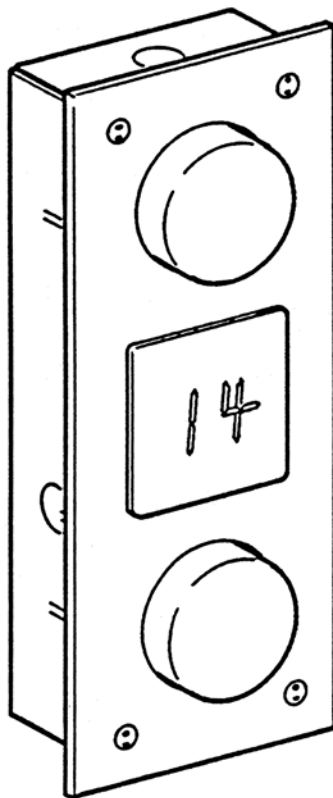
HALL LANTERNS & PIS

Advanced Hall Lantern and Position Indicator: Type 6646EG Series 2

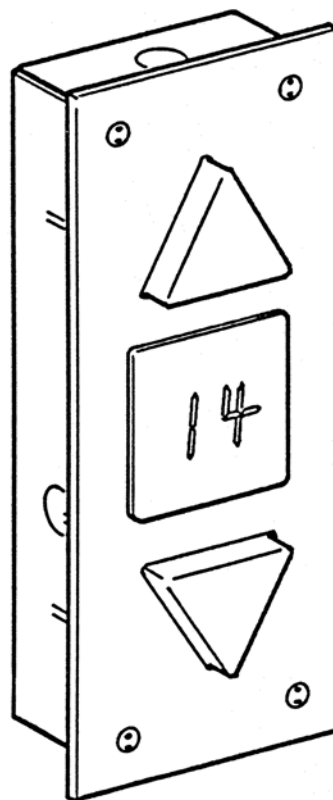
Refer to SPL 34-6646EG

NOTE: Please call Customer Service for more information and parts availability.

©Otis Elevator Co., March 2012



Faceplate Type 147MV
Round Lens p/n 449BA1



Faceplate Type 147MV
Triangular Lens p/n A449AS1

OTIS



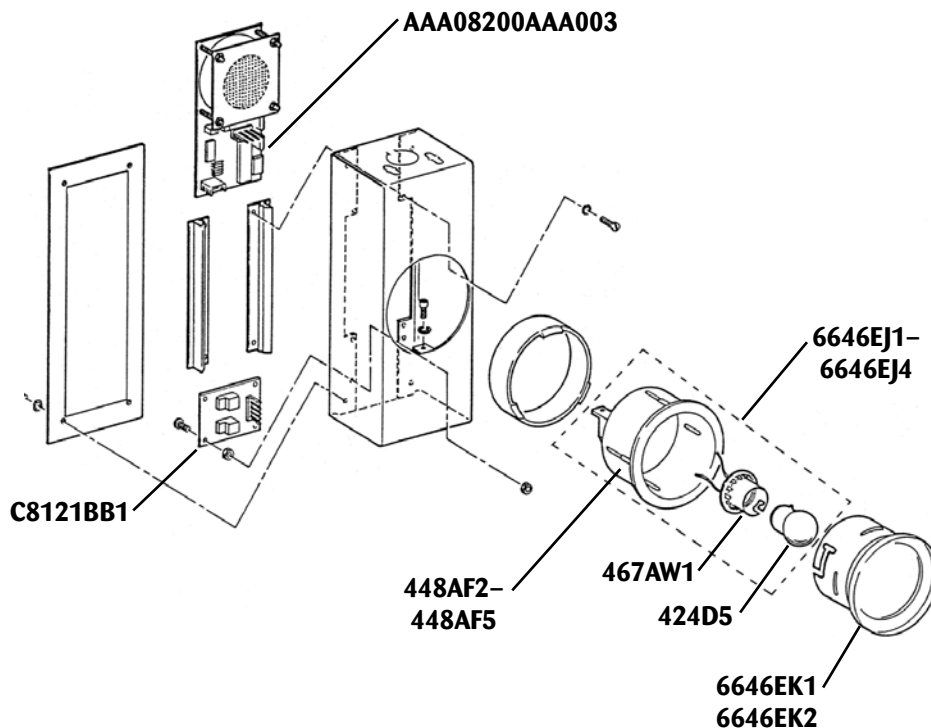
Hall Lantern, Terminal Landing (with Remote Station):

Type AAA6646AAB

Series 2

Refer to SPL 34-AAA6646AAB

Part Number	Description
6646EJ4	Assembly, Lamp, Brass, Brushed Finish
6646EJ3	Assembly, Lamp, Brass, Mirror Finish
6646EJ2	Assembly, Lamp, Stainless Steel, Brushed Finish
6646EJ1	Assembly, Lamp, Stainless Steel, Mirror Finish
6646EK1	Assembly, Lens, Clear
6646EK2	Assembly, Lens, Red
448AF4	Frame, Bronze, Mirror Finish
448AF5	Frame, Bronze, Satin Finish
448AF2	Frame, Stainless Steel, Mirror Finish
448AF3	Frame, Stainless Steel, Satin Finish
424D5	Lamp, Incandescent, 35V, 0.61A (S-8)
AAA08200AAA003	PC Board, Gong
C8121BB1	PC Board, Lantern Power Buffer
467AW1	Socket, Lamp



© Otis Elevator Co., March 2012

HALL LANTERNS & PIs

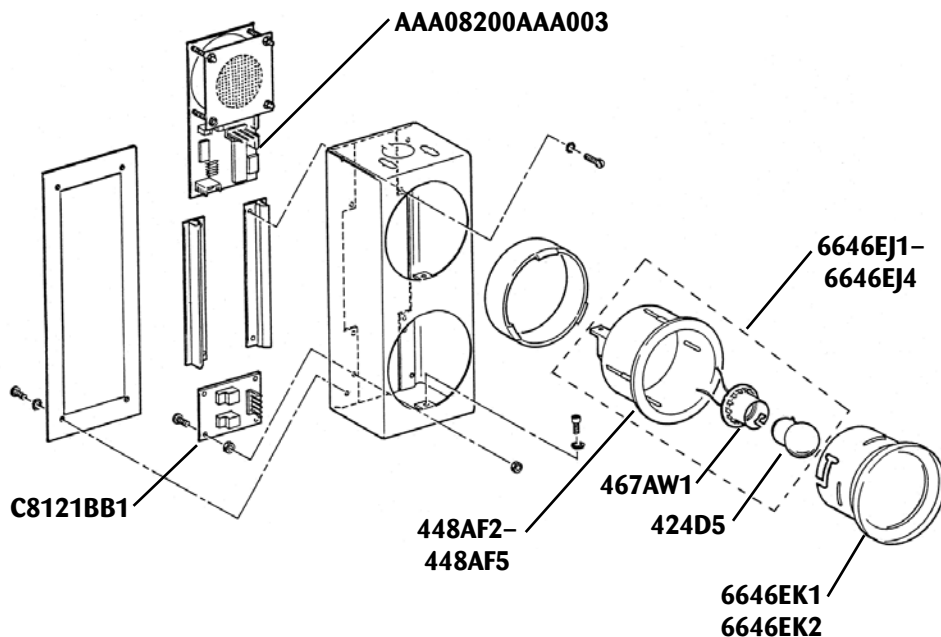
Hall Lantern, Intermediate Landing (with Remote Station):

Type AAA6646AAC

Series 2

Refer to SPL 34-AAA6646AAC

Part Number	Description
6646EJ4	Assembly, Lamp, Brass, Brushed Finish
6646EJ3	Assembly, Lamp, Brass, Mirror Finish
6646EJ2	Assembly, Lamp, Stainless Steel, Brushed Finish
6646EJ1	Assembly, Lamp, Stainless Steel, Mirror Finish
6646EK1	Assembly, Lens, Clear
6646EK2	Assembly, Lens, Red
448AF4	Frame, Bronze, Mirror Finish
448AF5	Frame, Bronze, Satin Finish
448AF2	Frame, Stainless Steel, Mirror Finish
448AF3	Frame, Stainless Steel, Satin Finish
424D5	Lamp, Incandescent, 35V, 0.61A (S-8)
AAA08200AAA003	PC Board, Gong
C8121BB1	PC Board, Lantern Power Buffer
467AW1	Socket, Lamp



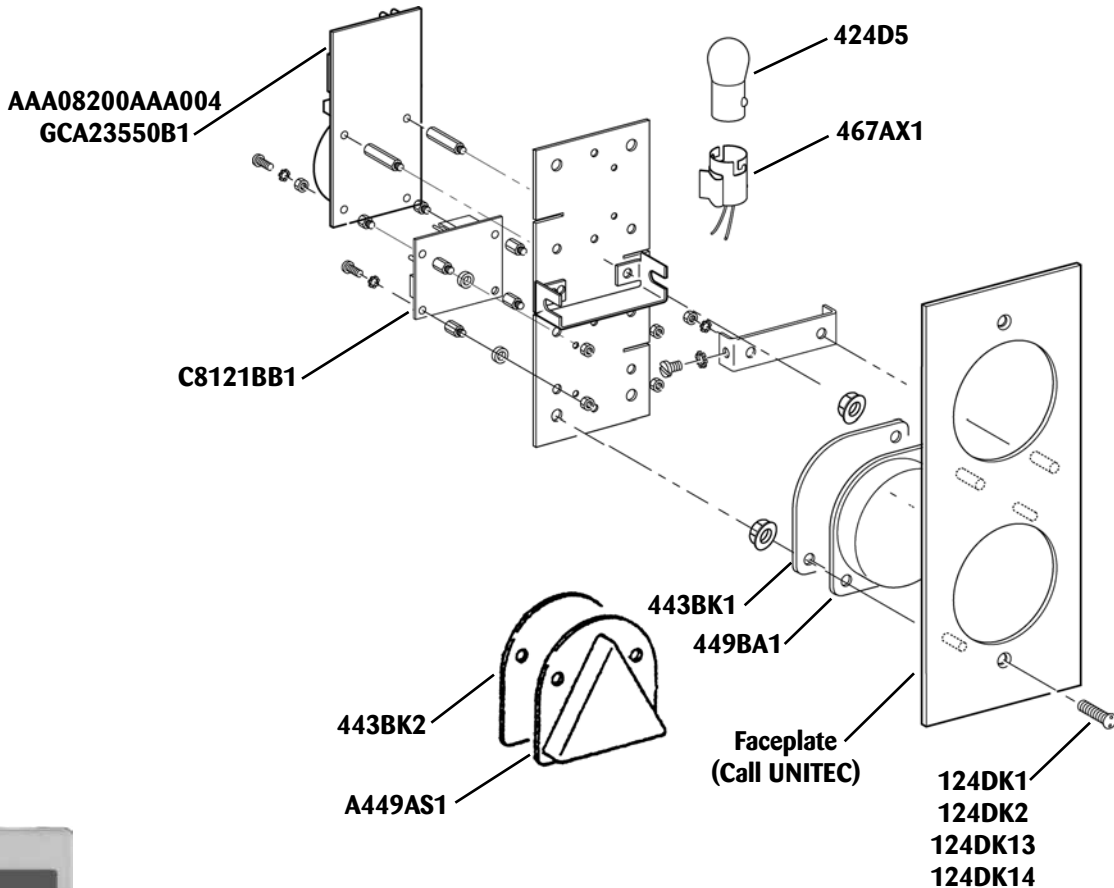
OTIS



Hall Lantern (with Faceplate): Type AAA6646AAD Series 2

Refer to SPL 34-AAA6646AAD

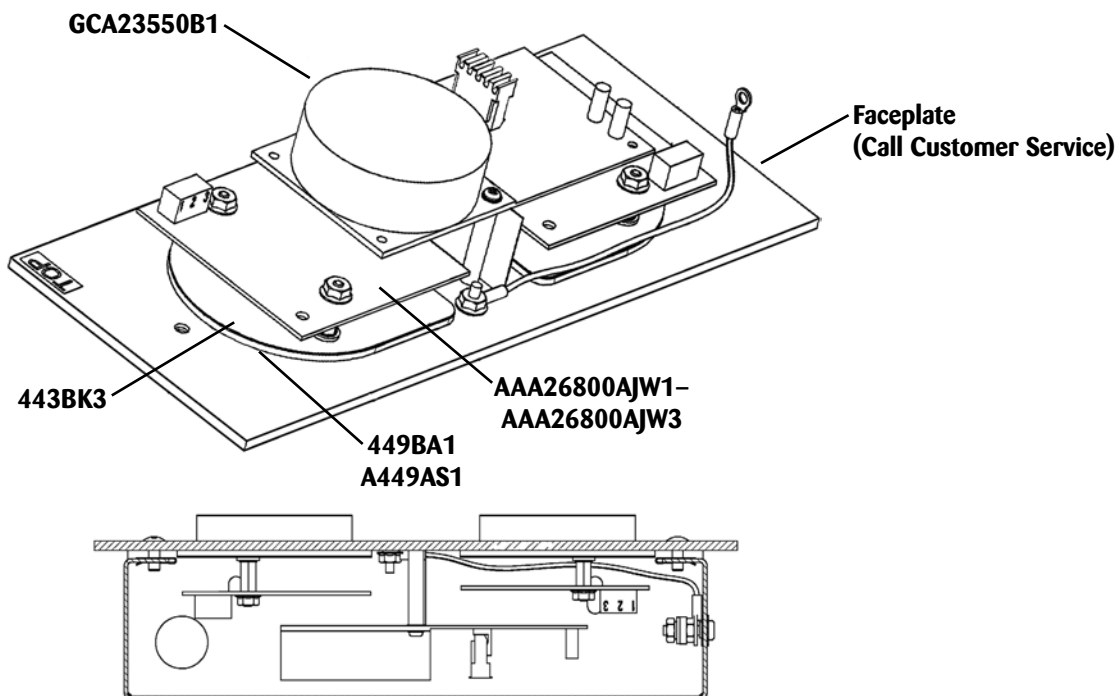
Part Number	Description
AAA08200AAA004	Assembly, PC Board, Gong w/Remote Station 4 and Hall Lantern/ Buffer Board Cable
Call UNITEC	Faceplate
443BK1	Glass (diffuser), Red (for round fixtures)
443BK2	Glass (diffuser), Red (for triangular fixtures)
449BA1	Glass (lens), Round
A449AS1	Glass (lens), Triangular
424D5	Lamp, Incandescent, 35 V, 0.61 A (size: S-8)
GCA23550B1	PC Board, Gong w/Remote Station 4
C8121BB1	PC Board, Lantern Power Buffer
124DK2	Screw, Tamper Resistant, Brass, Brushed Finish
124DK14	Screw, Tamper Resistant, Brass, Mirror Finish
124DK1	Screw, Tamper Resistant, Stainless Steel, Brushed Finish
124DK13	Screw, Tamper Resistant, Stainless Steel, Mirror Finish
467AX1	Socket, Lamp



HALL LANTERNS & PIs

Part Number	Description
*	Faceplate, Types AAA147RW and AAA147RX
443BK3	Glass (diffuser), Red (for triangular fixtures only)
449BA1	Glass (lens), Round
A449AS1	Glass (lens), Triangular
GCA23550B1	PC Board, Gong with Remote Station 4
AAA26800AJW2	PC Board, LED, Green Light
AAA26800AJW1	PC Board, LED, Red Light
AAA26800AJW3	PC Board, LED, White Light
124DK2	Screw, Tamper Resistant, Brass, Brushed Finish
124DK14	Screw, Tamper Resistant, Brass, Mirror Finish
124DK1	Screw, Tamper Resistant, Stainless Steel, Brushed Finish
124DK13	Screw, Tamper Resistant, Stainless Steel, Mirror Finish

*Call OSC Customer Service



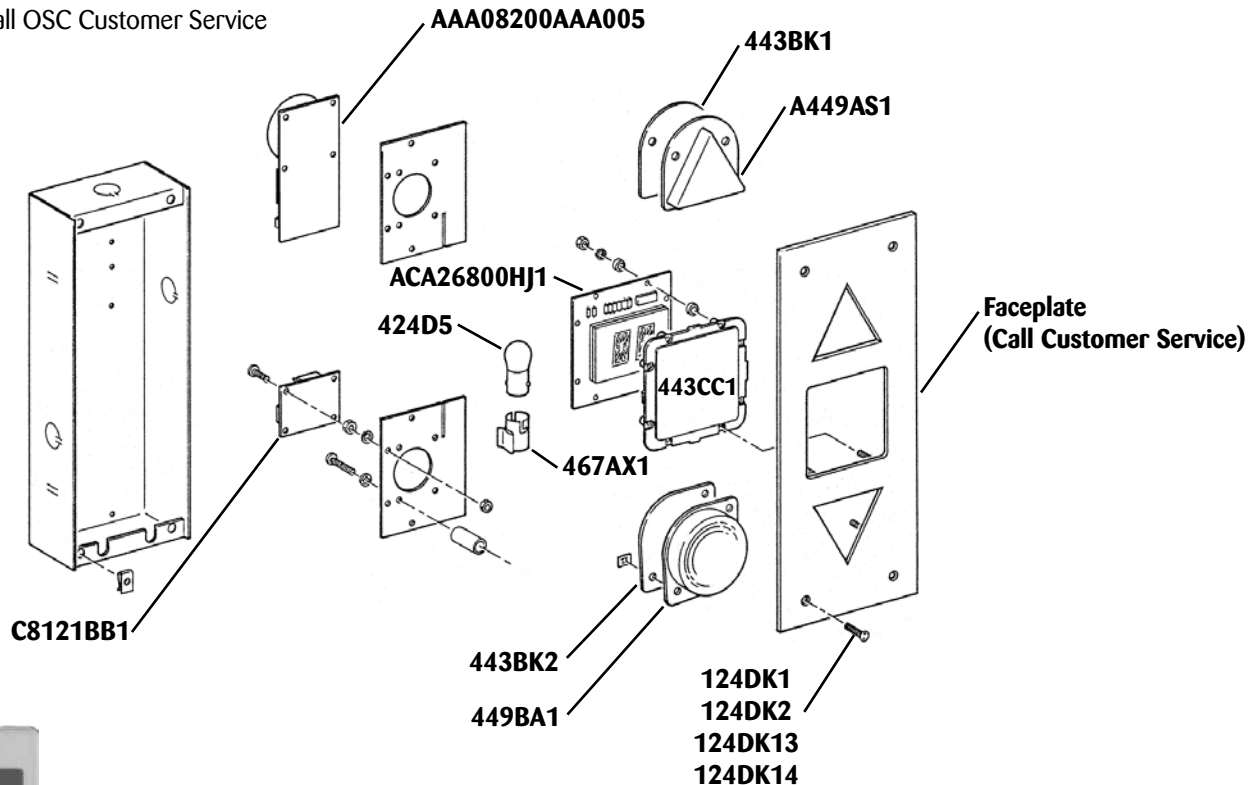


Hall Lantern and Position Indicator (with Remote Station): Type AAA6646AAE Series 2

Refer to SPL 34-AAA6646AAE

Part Number	Description
*	Faceplate, Type 147MV
443BK2	Glass, Red (for Round Shape)
443BK1	Glass, Red (for Triangular Shape)
449BA1	Glass, Round Shape
A449AS1	Glass, Triangular Shape
424D5	Lamp, Incandescent, 35V, 0.61A (S-8)
443CC1	Lens
AAA08200AAA005	PC Board, Gong Assembly
C8121BB1	PC Board, Lantern Power Buffer
ACA26800HJ1	PC Board, Position Indicator
124DK2	Screw, Tamper Resistant, Brass, Brushed Finish
124DK14	Screw, Tamper Resistant, Brass, Mirror Finish
124DK1	Screw, Tamper Resistant, Stainless Steel, Brushed Finish
124DK13	Screw, Tamper Resistant, Stainless Steel, Mirror Finish
467AX1	Socket, Lamp

*Call OSC Customer Service



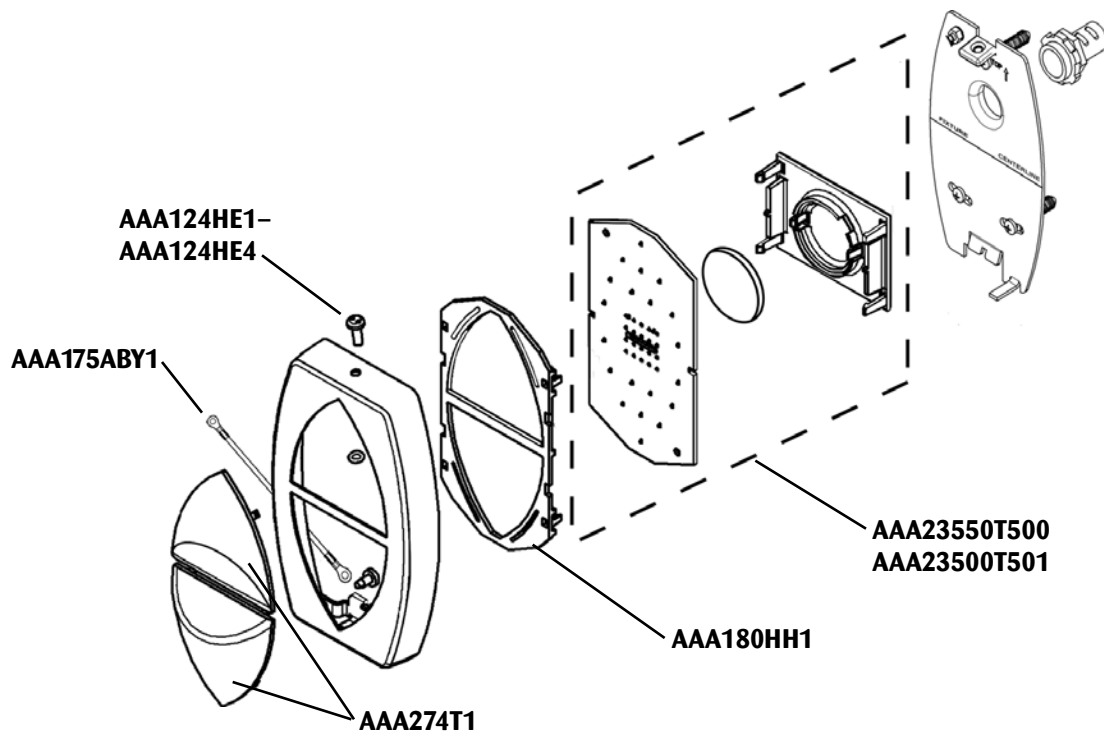
HALL LANTERNS & PIs

Hall Lantern, Slim Fixture: Type AAA23550T

Series 5

Refer to SPL 34-AA23550T

Part Number	Description
AAA175ABY1	Conductor, 14 AWG, 250 mm L (ground)
AAA147SR1	Face Plate, SS4 Finish, Vandal-Resistant
AAA180HH1	Holder for PC Board
AAA23550T501	Kit, Lantern PC Board, Holder, and Transducer. For discrete communication.
AAA23550T500	Kit, Lantern PC Board, Holder, and Transducer. For RSL communication.
AAA274T1	Lens
AAA443FR1	Lens, White Transparent, Vandal-Resistant
AAA124HE2	Screw, Tamperproof, M4, Bronze, Brushed Finish
AAA124HE4	Screw, Tamperproof, M4, Bronze, Mirror Finish
AAA124HE1	Screw, Tamperproof, M4, Stainless Steel, Brushed Finish
AAA124HE3	Screw, Tamperproof, M4, Stainless Steel, Mirror Finish



OTIS



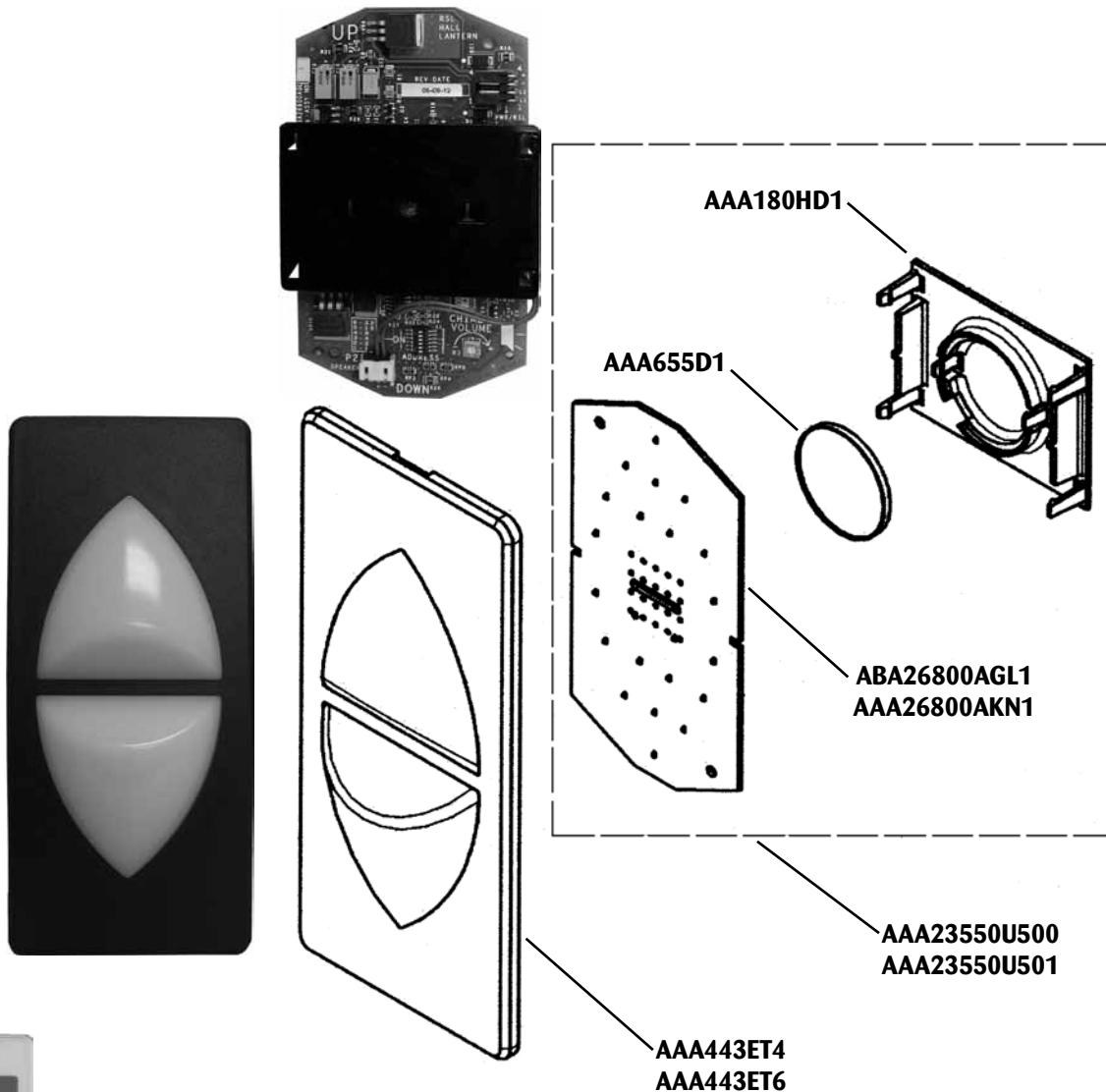
Landing Fixture—In-Car Lantern Assembly:

Type AAA23550U

Series 5

Refer to SPL 33-AAA23550U

Part Number	Description
AAA180HD1	Holder
AAA23550U500	Kit, Board with Transducer (AAA655D1) and Holder (AAA180HD1), for RSL
AAA23550U501	Kit, Board with Transducer (AAA655D1) and Holder (AAA180HD1), for Discrete
AAA443ET6	Lens. Used only for brass mirror and brushed returns.
AAA443ET4	Lens. Used only for stainless steel mirror and brushed returns.
AAA26800AKN1	PC Board, Discrete Lantern
ABA26800AGL1	PC Board, RSL Lantern
AAA655D1	Transducer, Communications



© Otis Elevator Co., March 2012

HALL LANTERNS & PIs

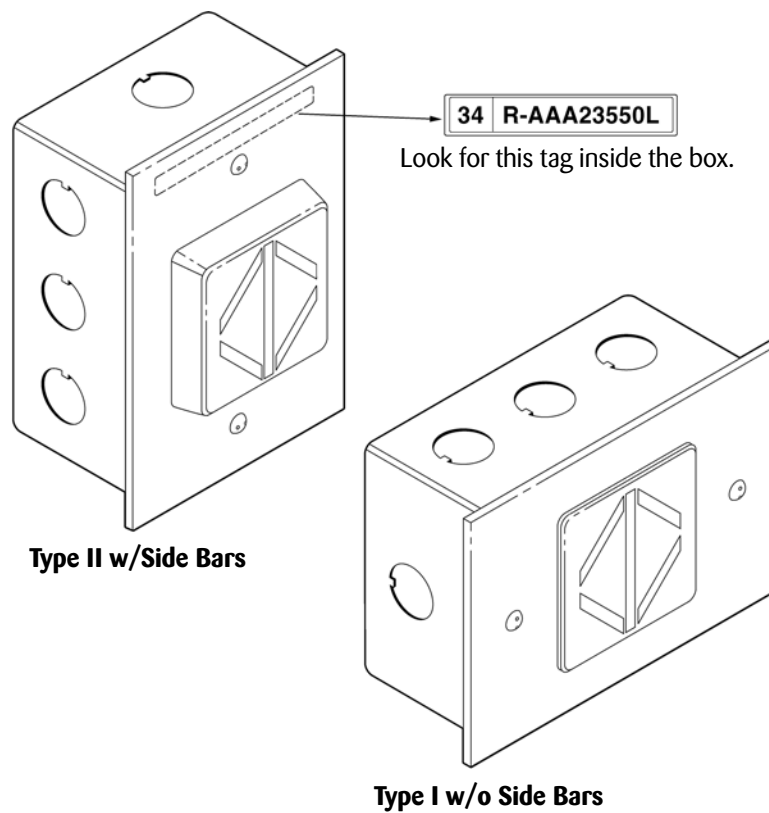
Hall Lantern Assembly: Type AAA23550L

Modernization

Refer to SPL 34-AAA23550L

NOTE: Please call Customer Service to order assembly.

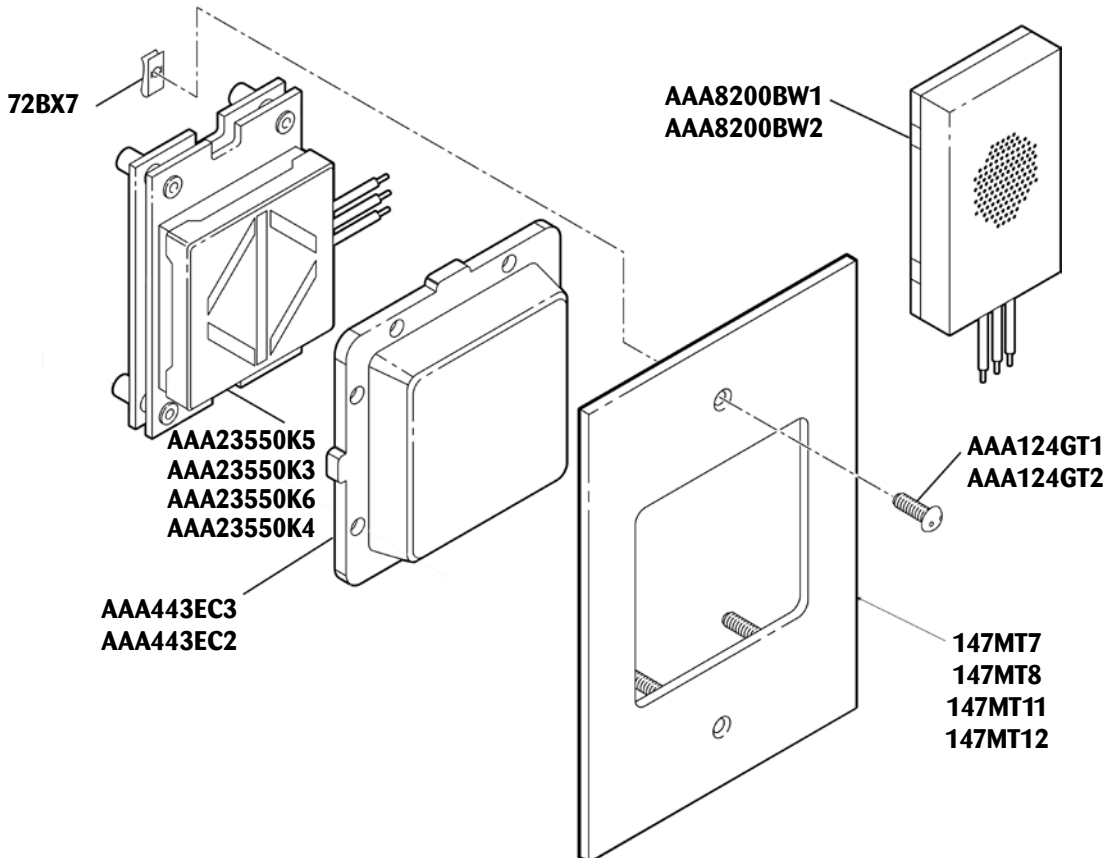
©Otis Elevator Co., March 2012





Hall Lantern Assembly: Type AAA23550L (continued)

Part Number	Description
AAA8200BW1	Gong, 120 VAC
AAA8200BW2	Gong, 30 VDC
147MT7	Faceplate, SS4
147MT8	Faceplate, BR7
147MT11	Faceplate, MF4
147MT12	Faceplate, MF7
AAA23550K5	Lantern, PCB, 120 VAC, With Sidebars
AAA23550K3	Lantern, PCB, 120 VAC, Without Sidebars
AAA23550K6	Lantern, PCB, 30 VDC, With Sidebars
AAA23550K4	Lantern, PCB, 30 VDC, Without Sidebars
AAA443EC3	Lens, With Sidebars
AAA443EC2	Lens, Without Sidebars
72BX7	Nuts, Speed
AAA124GT1	Screw, Tamper Resistant, SS4
AAA124GT2	Screw, Tamper Resistant, BR7



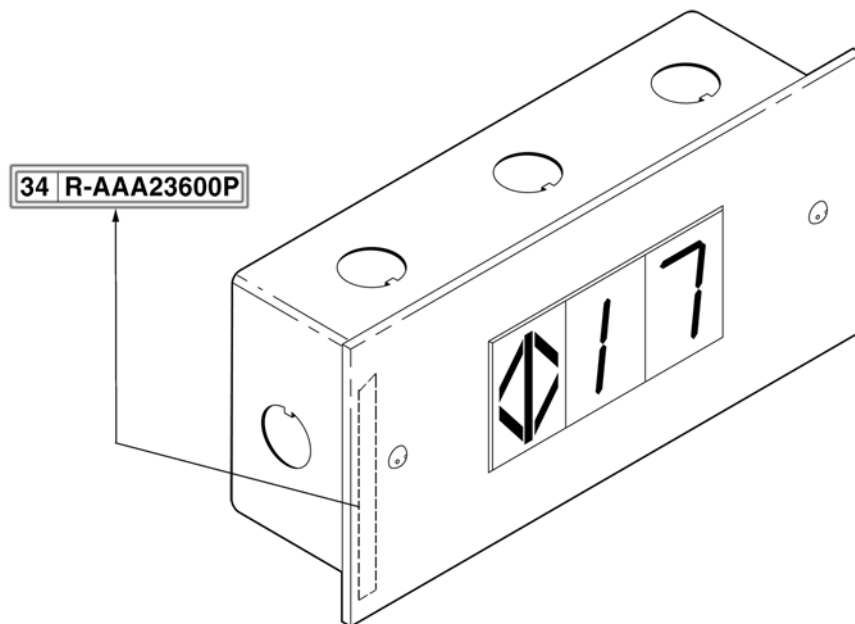
© Otis Elevator Co., March 2012

HALL LANTERNS & PIS

Hall Position Indicator Assembly: Type AAA23600P

Refer to SPL 34-AAA23600P

NOTE: Please call Customer Service for more information and parts availability.



OTIS



© Otis Elevator Co., March 2012

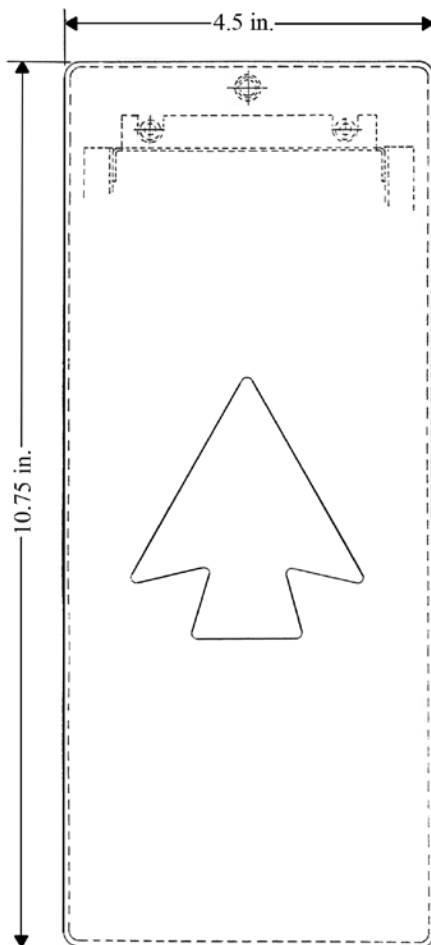
HALL LANTERNS & PIs

Pictorial Catalog: Faceplates

The following illustrations and tables depict pan-type faceplates. If you need the flat-type faceplate, choose the correct lens configuration from the illustrations and indicate that you need the flat faceplate. Specify brushed stainless steel or brushed bronze. Mirror finish is a special order and longer lead time—please ask Customer Service for more information.

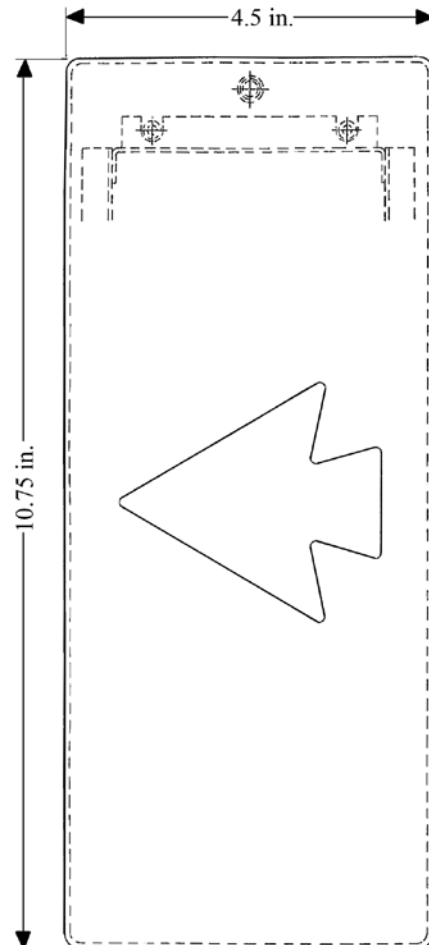
Note 1: Top level arrangements are generally not available, but may be quoted as special. **Refer to index on pages 50–51 for more information.**

Note 2: “Faceplate assembly” is a faceplate with the lenses as well as a synthetic light shield mounted to back of faceplate.



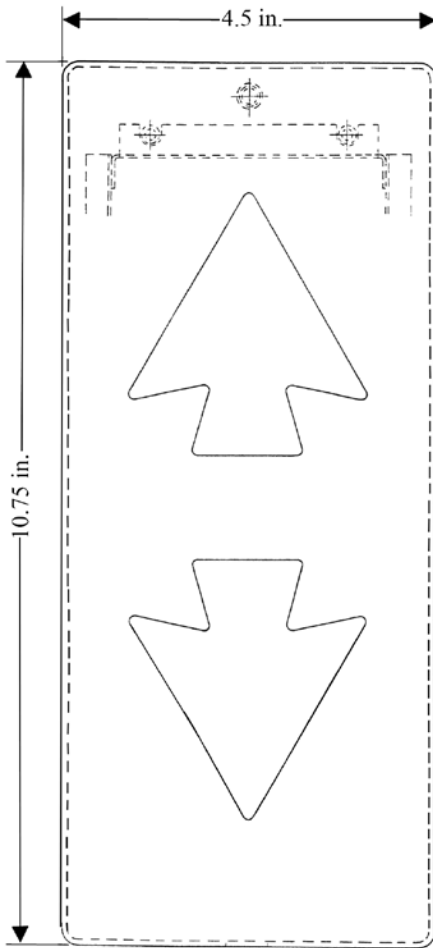
**Material List 6646F with
Type 6646P Faceplate Assembly**

Part Number	Description
A147EN1	Faceplate, Pan Type
A147EN2	
A449AA1	Lens



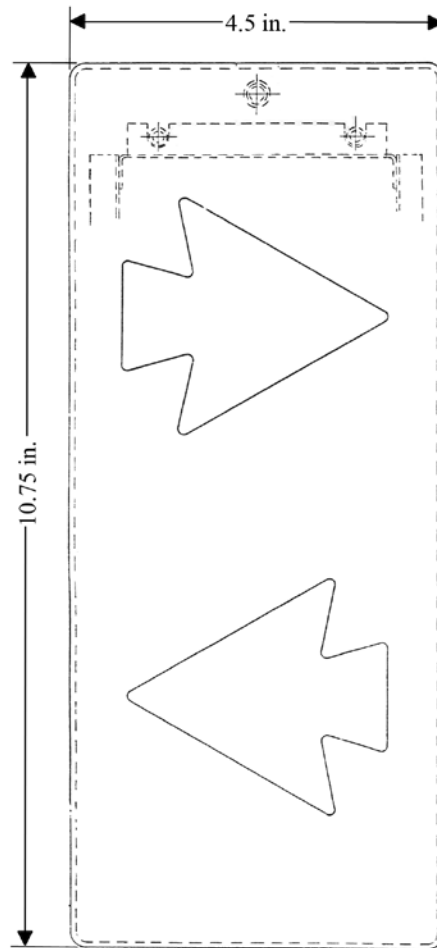
**Material List 6646J with
Type 6646W Faceplate Assembly**

Part Number	Description
A147EK1	Faceplate, Pan Type
A449AA1	
A449AA1	Lens



**Material List 6646A with
Type 6646AA Faceplate Assembly**

Part Number	Description
A147EP1	Faceplate, Pan Type
A449AA1	Lens

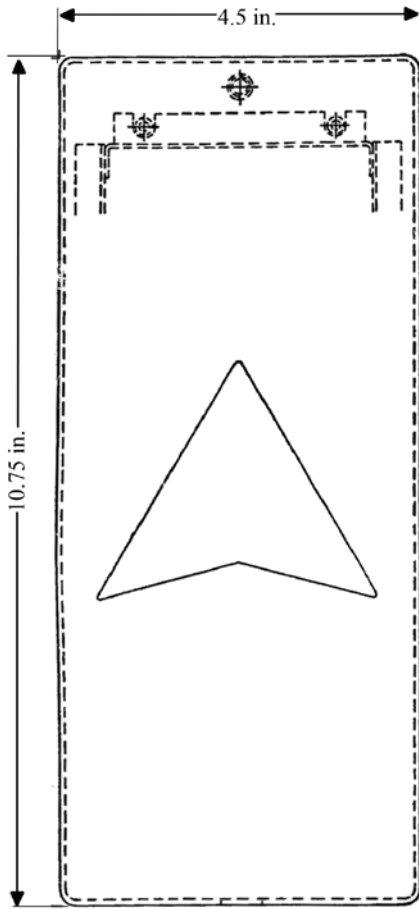


**Material List 6646H with
Type 6646Y Faceplate Assembly**

Part Number	Description
A147EJ1	Faceplate, Pan Type
A449AA1	Lens

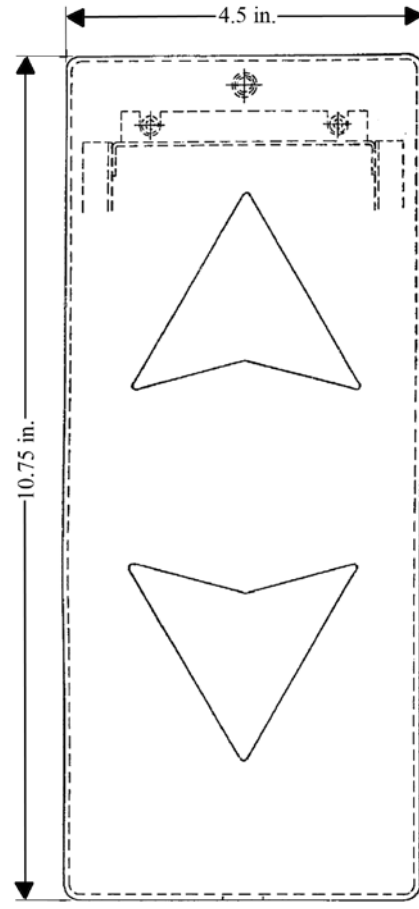
HALL LANTERNS & PIs

©Otis Elevator Co., March 2012



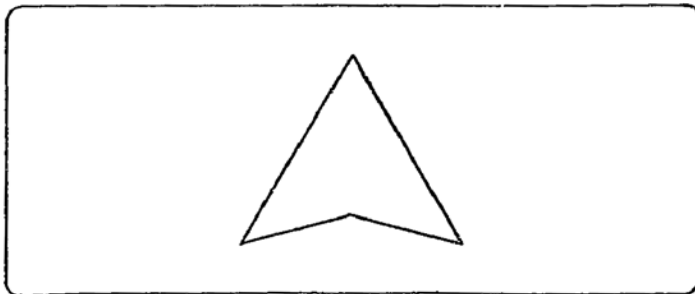
Material List 6646DJ with Type 6646DP Faceplate Assembly

Part Number	Description
147KH2	Faceplate, Pan Type
147KH3	
449AY1	Lens



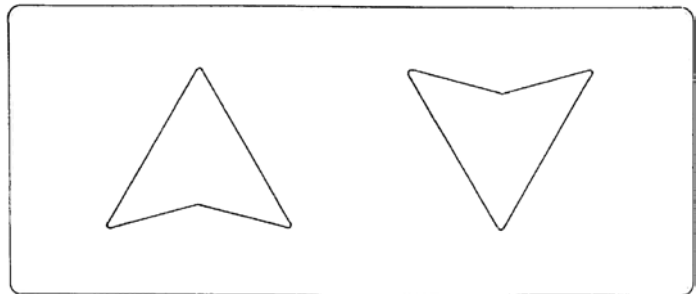
Material List 6646DH with Type 6646DN Faceplate Assembly

Part Number	Description
147KG2	Faceplate, Pan Type
449AY1	Lens



Material List 6646DJ with Type 6646DP Faceplate Assembly

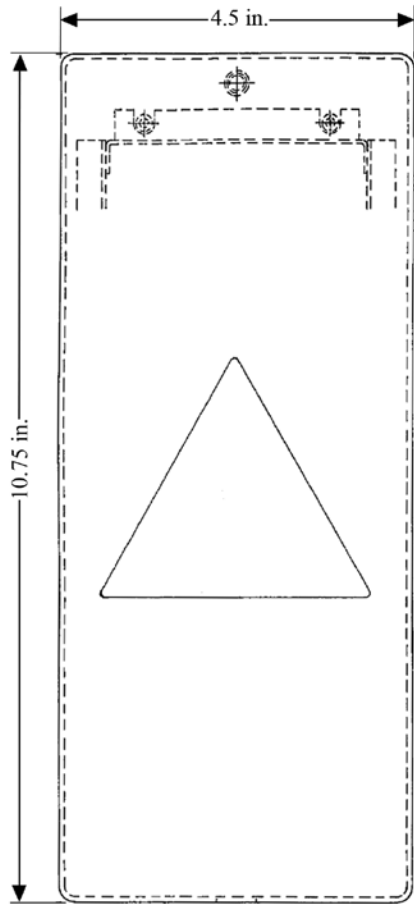
Part Number	Description
147KH1	Faceplate, Pan Type
449AY1	Lens



Material List 6646DH with Type 6646DN Faceplate Assembly

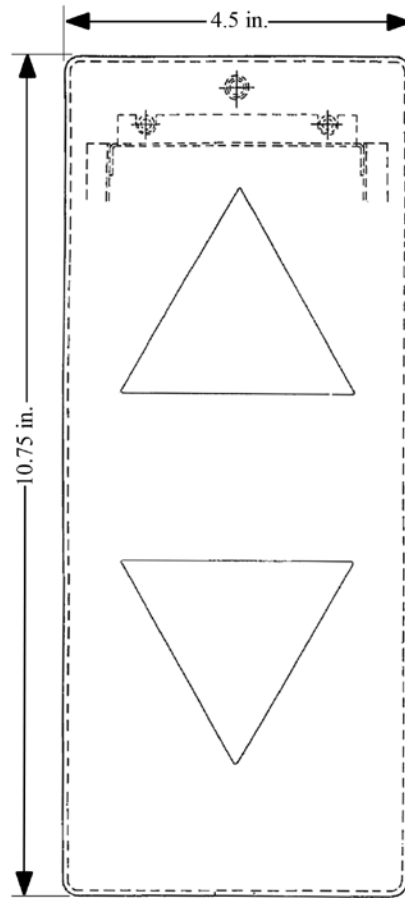
Part Number	Description
147KG1	Faceplate, Pan Type
449AY1	Lens

OTIS



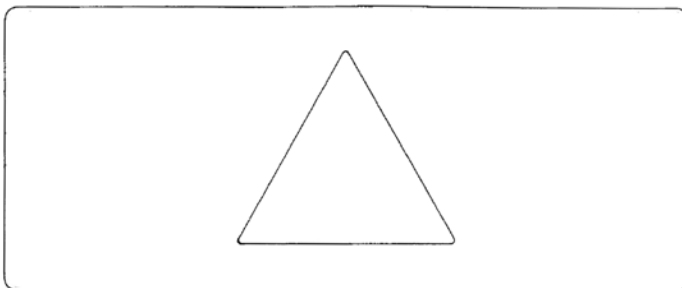
**Material List 6646AK with
Type 6646AN Faceplate Assembly**

Part Number	Description
147JM2	Faceplate, Pan Type
147M3	
449AS1	Lens



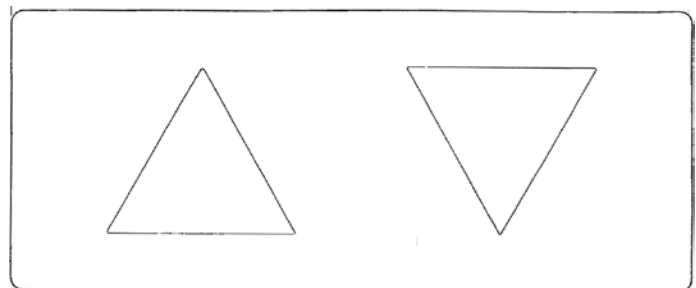
**Material List 6646AS with
Type 6646AR Faceplate Assembly**

Part Number	Description
147JR2	Faceplate, Pan Type
A147JR2	
A449AS1	Lens



Material List 6646AK with Type 6646AN Faceplate Assembly

Part Number	Description
147JM1	Faceplate, Pan Type
449AS1	Lens

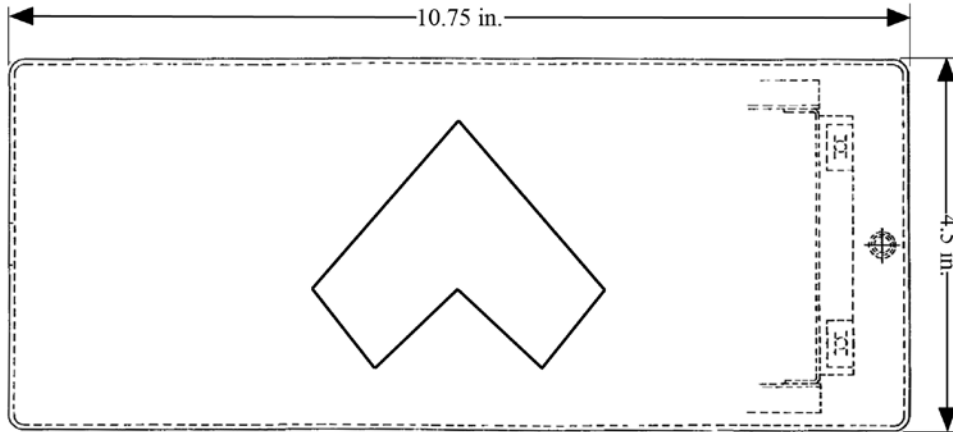


Material List 6646AS with Type 6646AR Faceplate Assembly

Part Number	Description
147JR1	Faceplate, Pan Type
A147JR1	
A449AS1	Lens

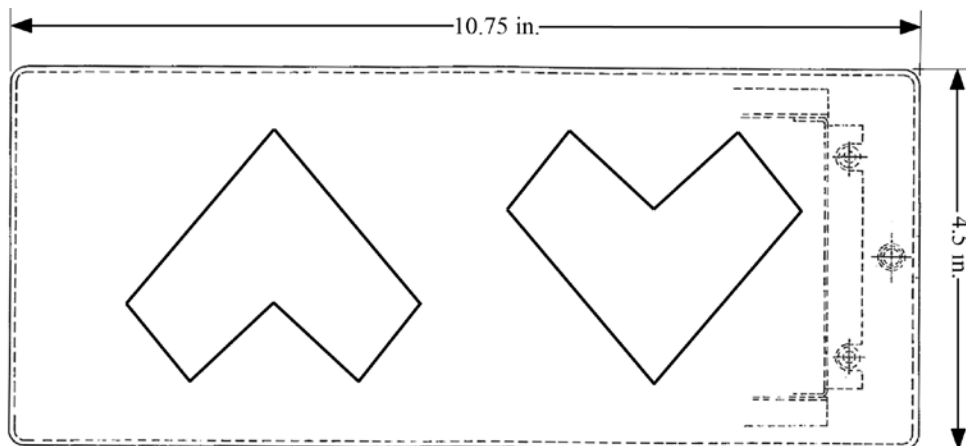
HALL LANTERNS & PIs

©Otis Elevator Co., March 2012



Material List 6646AG with Type A6646AD Faceplate Assembly

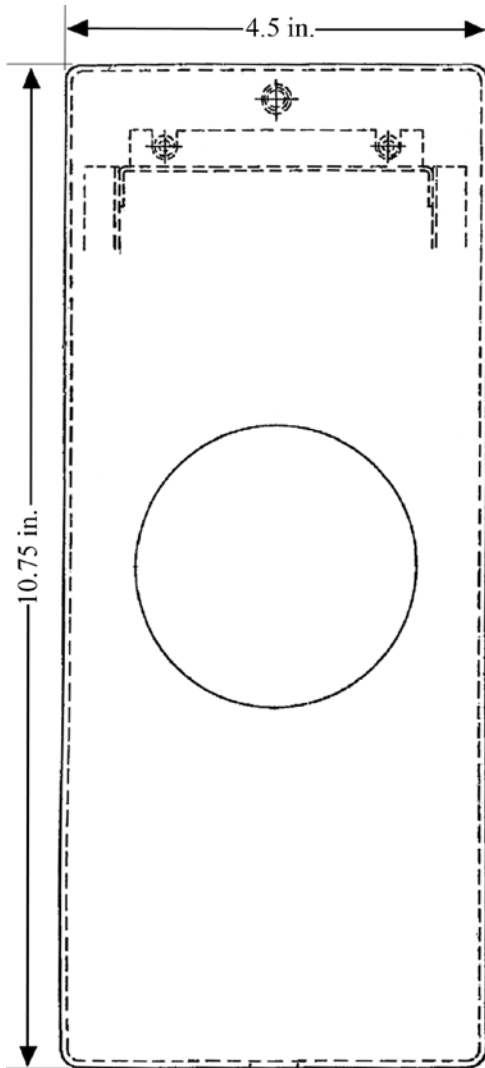
Part Number	Description
147EG1	Faceplate, Pan Type
449AM2, 449AM3	Lens



Material List 6646AH with Type A6646AB Faceplate Assembly

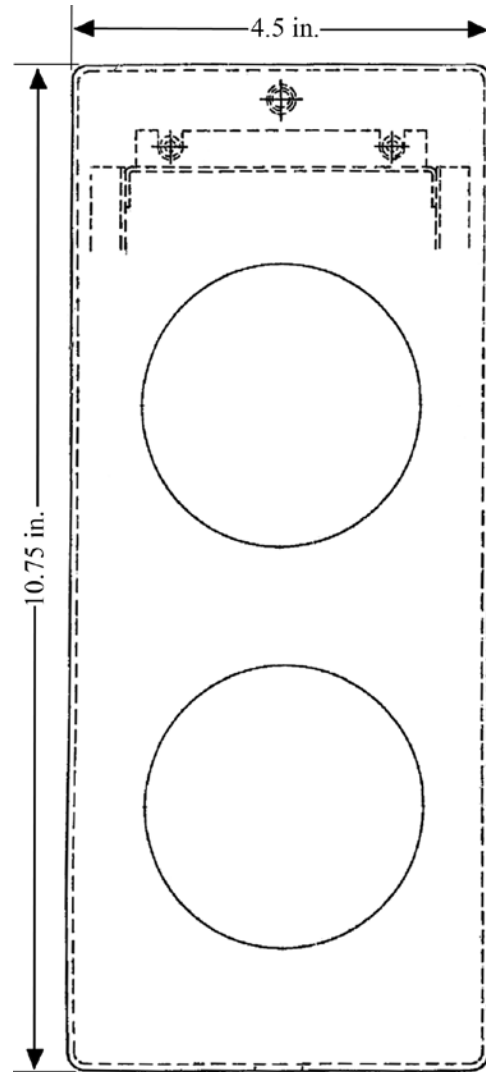
Part Number	Description
147EH1	Faceplate, Pan Type
449AM2 449AM3	Lens

OTIS



**Material List 6646DM
with Type 6646DR Faceplate Assembly**

Part Number	Description
147KJ2	Faceplate, Pan Type
449BA1	Lens



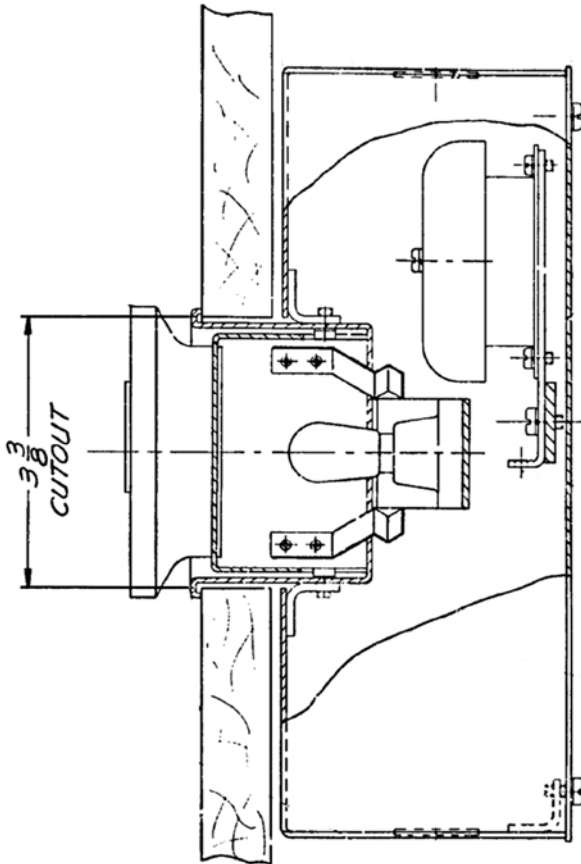
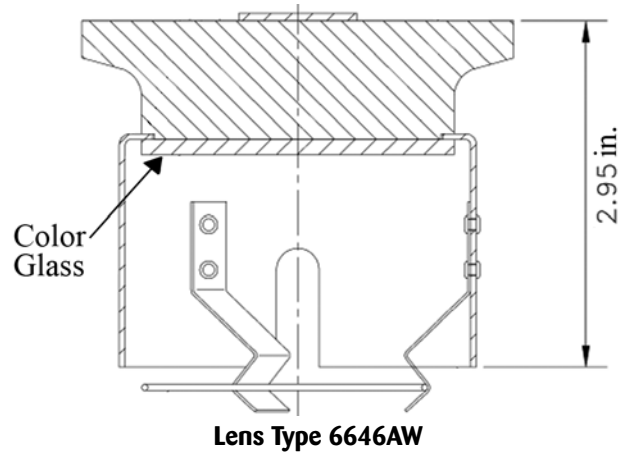
**Material List 6646DM
with Type 6646DR Faceplate Assembly**

Part Number	Description
147KJ2	Faceplate, Pan Type
449BA1	Lens

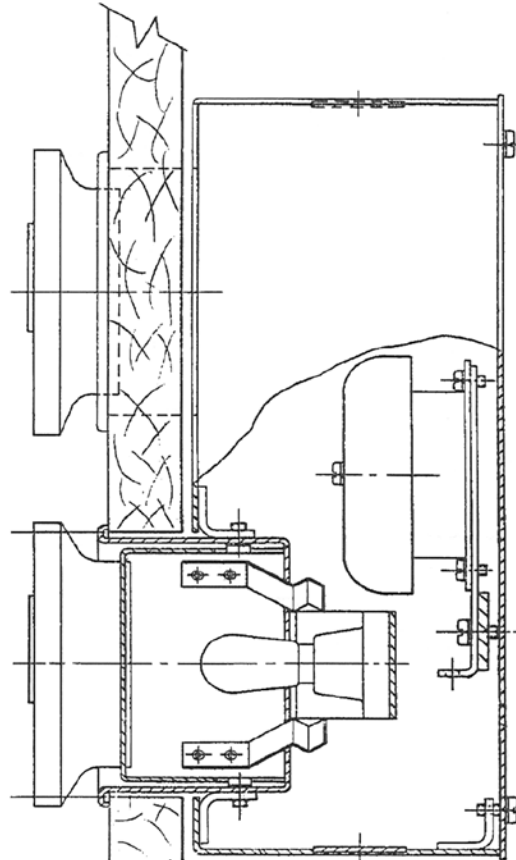
© Otis Elevator Co., March 2012

HALL LANTERNS & PIS

©Otis Elevator Co., March 2012

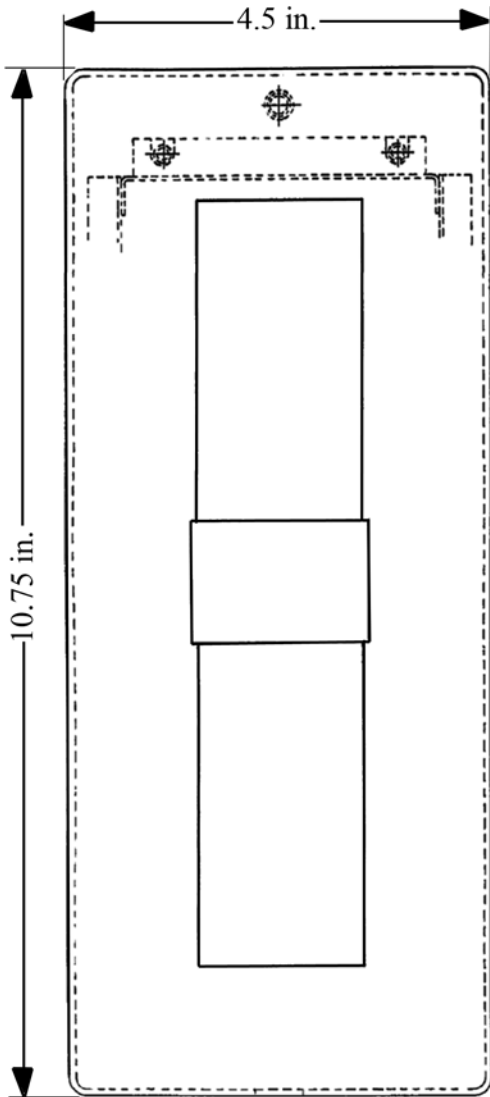


Material List 6646BA
Uses Type 6646AW Lens

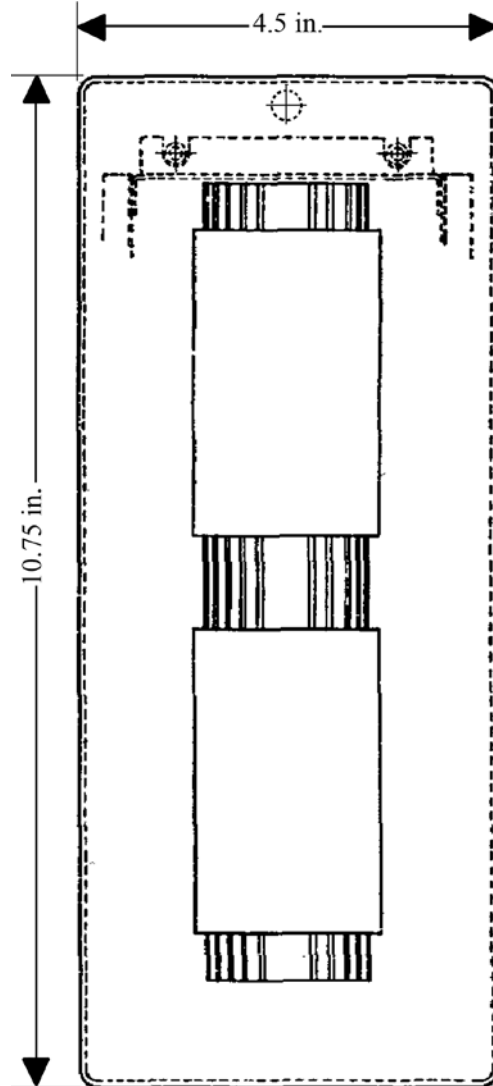


Material List 6646AY
Uses Type 6646AW Lens

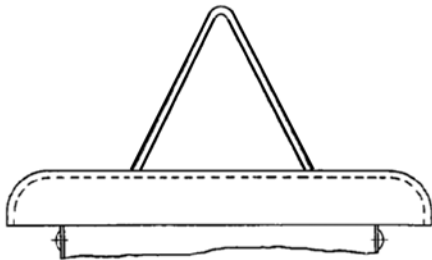
OTIS



Type 6646T Faceplate Assembly



**Material List 6646B
with Type 6646R Faceplate Assembly**

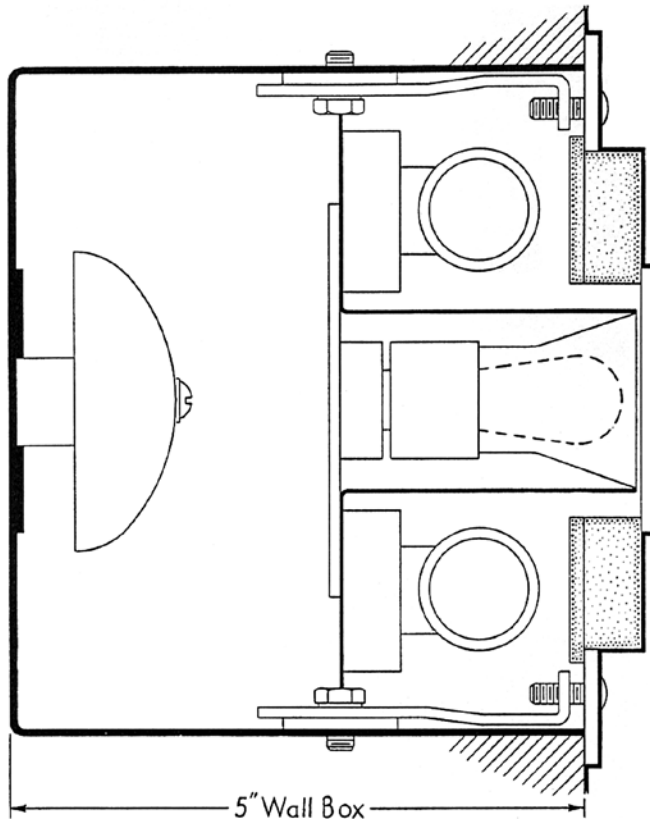
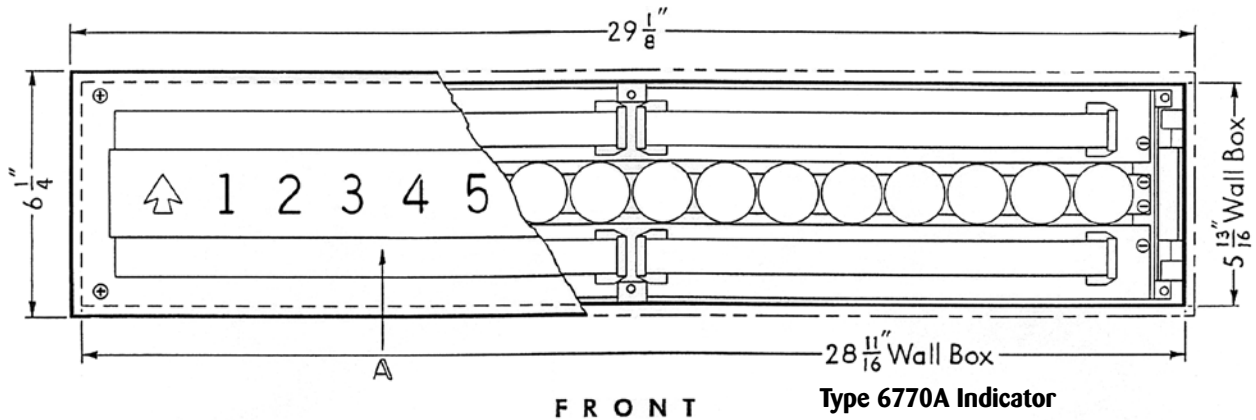


Part Number	Description
A147ER1	Faceplate, Pan Type
449AE2	Lens
449AE3	

Part Number	Description
A147ES1	Faceplate, Pan Type
A449T2	Lens
A449T3	


© Otis Elevator Co., March 2012


HALL LANTERNS & PIs



Part Number	Description
6644A3	Base Assembly, 2 Terminals & 74G2 Nut
---	Bell, Type 311B. Call Customer Service to order.
A449W3	Glass, White, 24 in. Long
424C1	Lamp, 11.75 in. Long, 40 W
424H1	Lamp, 120 V, 0.025 A, 3.0 W
2226A1	Receptacle, Lamp
6644A2	Receptacle, Lamp

Index Listing: Faceplates

Lens Style	Faceplate Style	Top Level Assembly Type	Faceplate & Shield Assembly Type	Faceplate Drawing	Lens Part or Type	Orientation	Location	Colored Glass Behind	Guts Base & Bulb Assembly Type
	Pan	6646J	6646W	A, 147EK	A, 449AA1	Horizontal	Terminal		6646AF
		6646H	6646Y	A, 147EJ		Horizontal	Intermediate		
		6646F	6646P	A, 147EN1, 2		Vertical	Terminal		
Fantail Arrow	Flat	6646A	6646AA	A, 147EP	449AY1	Vertical	Intermediate	443BK1	6646CE
		6646BB	6646BN	A, 147KK		H & V	Terminal		
		6646BC	6646BP	A, 147KK		H & V	Intermediate		
	6646DJ	6646DP	147KH1	Horizontal		Terminal			
	6646DH	6646DN	147KG1	Horizontal		Intermediate			
	6646DH	6646DN	147KH2,3 147KG2	Vertical		Terminal			
Triangle	Flat	6646BD	6646BR	A, 147KL	A449AS1	Vertical	Intermediate	443BK1	6646CE
		6646BE	6646BT	A, 147KL		H & V	Terminal		
		6646AK	6646AN	147JM1		H & V	Terminal		
	6646AS	6646AR	A, 147JR1	Horizontal		Terminal			
	6646AK	6646AN	147JM2,3	Horizontal		Intermediate			
	6646AS	6646AR	A, 147JR2	Vertical		Terminal			
Chevron Arrow	Flat	6646BF	6646BV	A, 147KM	449AM2, 3	Vertical	Intermediate	443BK1	6646CE
		6646BG	6646BX	A, 147KM		H & V	Terminal		
		6646AG	6646AD	147EG1		H & V	Terminal		
	6646AH	6646AB	147EH1	Horizontal		Terminal			
	6646BH	6646BY	A, 147KN	Horizontal		Intermediate			
	6646BJ	6646CB	A, 147KN	Horizontal		Terminal			
Round Protruding	Pan	6646DK	6646DR	147KJ2	449BA1	>>>	Intermediate	443BK2	6646AF
		6646DM	6646DR	147KJ1		>>>	Terminal		
	6646BK	6646CC	A, 147KP	>>>		Intermediate			
	6646BM	6646CD	A, 147KP	>>>		Terminal			

Fixtures w/ Circuit Board Backing Light Circuit									
Lens Style	Faceplate Style	Top Level Assembly Type	Faceplate & Shield Assembly Type	Faceplate Drawing	Lens Part or Type	Orientation	Location	Colored Glass Behind	Guts Base & Bulb Assembly Type
	Flat	6646CG	6646CL1, 2	147LV	A449AS	Horizontal	Terminal	443BK	6646CX
			6646CL3, 4			Vertical	Terminal		
			6646CM1			Horizontal	Intermediate		
			6646CM2			Vertical	Intermediate		
Round Protruding	Flat	6646CH	6646CK	147LT	449BA	>>>	Terminal		
			6646CJ			>>>	Intermediate		
Std Arrow	Flat	6646CN	6646CV1, 2	147LW1, 2	A449AA	Horizontal	Terminal		
			6646CV3, 4			Vertical	Terminal		
			6646CP1			Horizontal	Intermediate		
			6646CP2			Vertical	Intermediate		
Round Inserted Disc - Snap In	Non-Removable Round Bezels	6646BA	***	6646AW3, 4, 5, 6	6646AW1, 2, 5, 6	Horizontal	Terminal		
		6646AY	***			Horizontal	Intermediate		
		6646BA	***			Vertical	Terminal		
		6646AY	***			Vertical	Intermediate		
Protruding Wedge	Pan	6646B	6646T	147ER	449AE2, 3	Vertical	Intermediate		6646AF
Protruding Arc			6646R	147ES	A449T2, 3	Vertical	Intermediate		

OTIS



© Otis Elevator Co., March 2012