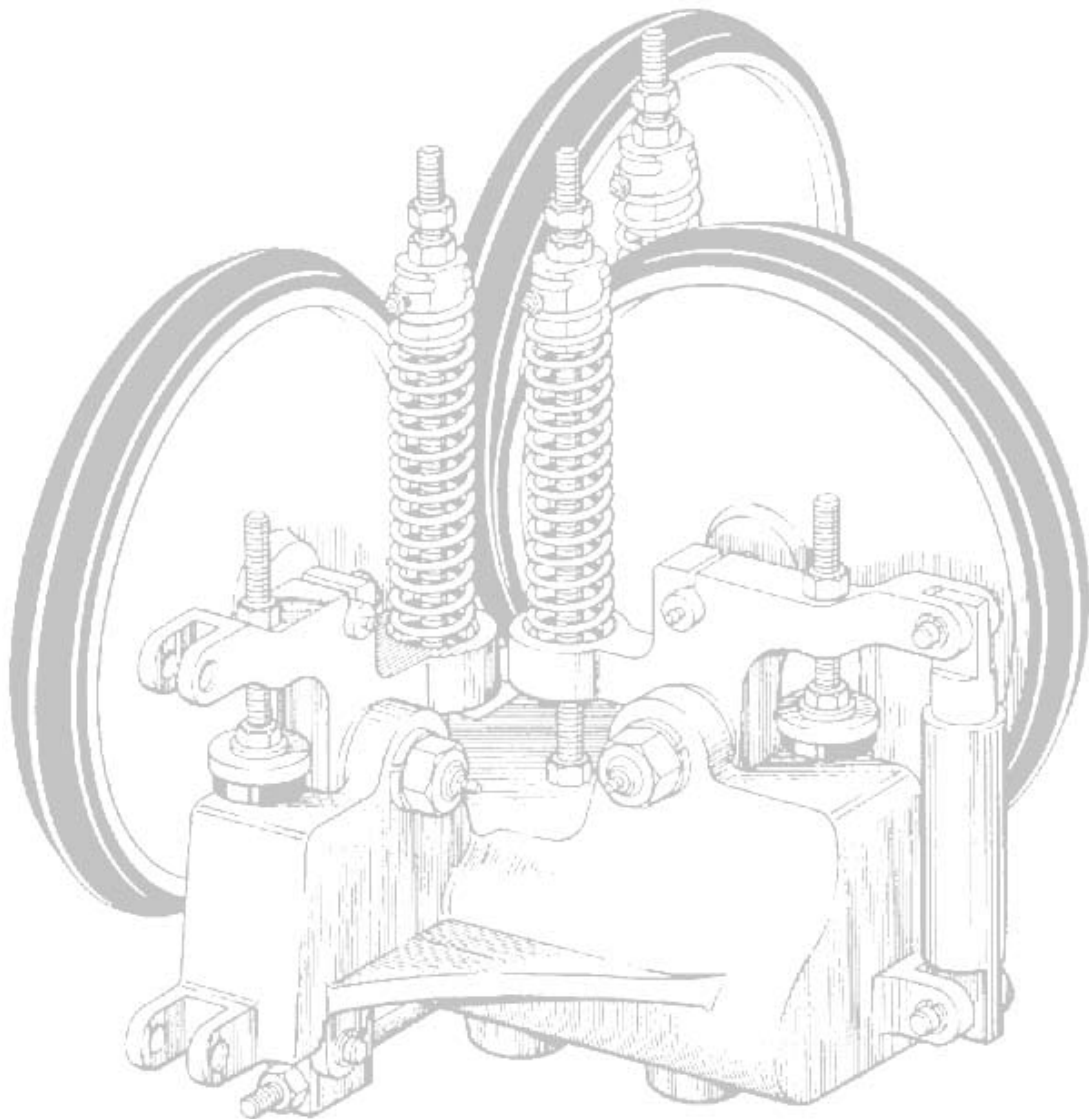


CARFRAME GUIDES

OTIS[®]

©Otis Elevator, March 2007



North America: (800) 600 - 6847 • Fax (860) 286 - 1605
Elsewhere: (860) 242-3632 • Fax (860) 286 - 1657

OTIS

Notes About This Catalog Section

Terminology, Sizing Standards, and Use



- The primary measurements shown for parts are based upon their design drawings.
- Most measurements are provided in both Imperial units (for the United States) and metric units (for Canada, Mexico, etc.). If only one form of a measurement is provided, assume Imperial units (generally inches) unless otherwise stated.
- Most Imperial measurements are rounded to the nearest tenth or hundredth of an inch and most metric measurements are rounded to the nearest millimeter.
- The term “vintage” refers to the period of time in which the original equipment was manufactured. If installation records are not available, the vintage of a component may be determined from a vintage tag affixed to the component. Shown below are two types of vintage tags used on Otis equipment over the years.

14	R-AAA24179A
----	-------------

14	6161R	
Y	VINTAGE	Y 01
REV	EN	



CARFRAME GUIDES

Table of Contents

Notes About This Catalog Section	2
Introduction	5
Contemporary Guide Application Chart.....	5
Car Roller Guides.....	5
Counterweight Roller Guides.....	6
Rail Size Chart	6
Roller Guides	7
2-1/4-Inch Roller Guides: 6261B.....	7
76 mm Roller Guides: KAA25830B.....	7
76 mm Roller Guides with Spring-Loaded Postwise Rollers: KAA25830AAA.....	8
76 mm Roller Guides: AAA24180AW	9
3-Inch Round Roller Guides: 6161AA	10
3-Inch Roller Guides: 6261AA.....	10
3-Inch Roller Guides: 6261AB.....	11
3-3/4-Inch Roller Guides: Type 6261P.....	12
4-7/8-Inch Roller Guides: Type 6261AD.....	13
125 mm Roller Guides: KAA24180A	14
125 mm Roller Guides: KAA25830A	15
160 mm Roller Guides: AAA24180AX.....	16
7-7/8-Inch Roller Guides: Type 6261C.....	17
200 mm and 260 mm Ultra Roller Guides: AAA24180AV	18
10-Inch Roller Guides: Type 6261AM	19
Round Rail Guides	20
3-Inch Slide Guide Shoes: 6161P.....	20
3-Inch Slide Guide Shoes: 6161T.....	21
3-Inch Slide Guide Shoes: 6161Y.....	22
3-Inch Slide Guide Shoes: 237BB	22
Slide Guides.....	23
Guide Shoes: KO237D	23
Solid Guides for 6946F Carframes: A237F.....	23

North America: (800) 600 - 6847 • Fax (860) 286 - 1605
Elsewhere: (860) 242-3632 • Fax (860) 286 - 1657



OTIS

Table of Contents



Slide Guide Shoes: 6161R.....	24
Residence, Passenger, and Freight (HP 1500 Model), Early Counterweights (5/8-Inch Rails): 6161A	25
Guide Shoes: AAA24179A.....	26
Slide Guide Shoes: AAA24179C.....	26
Solid Guides for 6946BS, BT, BV Carframes	27
Solid Guide Shoes with Gib for 6197A Carframes and 36 and 36C Roll Carframes: 501-VI-24	27
Slide Guide Shoes for 37C Roll Carframes and 5C, 8C, 12C, 14D, and 15RU Carframes: 6426	28
42 Roll: 62110	29
Guide Shoes for Plunger Electric Elevators with 8-Inch Uprights: 6161C.....	30
Slide Guides for Plunger Electric Elevators with 10-Inch Uprights: 6161D.....	30
Guide Shoe Bottom Guides for 25DB Carframe: 6161G	31
Guide Shoes for 30 Simplex and Duplex FGC Safeties: 501-VI-11	32
42L Bottom Guides: 6593	33
Flexible Slide Guide Shoes for 42L Bottom: 6161E.....	34
Guide Shoes for 60 Roll Safeties: 65311	35
Counterweight Solid Guides: 600020	36
Counterweight Solid Guide Shoes for Freight Applications: 76307.....	36
Swivel Guides	37
Bottom Swivel Guides for 36C Carframes: 67054.....	37
Swivel Guides for Multiple Applications: 501-VI-28.....	38
Swivel Guides for 5C, 8C, 14D, and 15R Carframes: 501-VI-30	39
Swivel Guides for 6A, 11, and 43 Wedge-Clamp Counterweight Safeties: 66677	40
Swivel Guides for Structural Frame Counterweights: 66674	41
Swivel Counterweight Guides for 6A Wedge-Clamp Counterweight Safeties: 64491	42

© Otis Elevator, March 2007

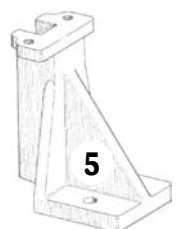
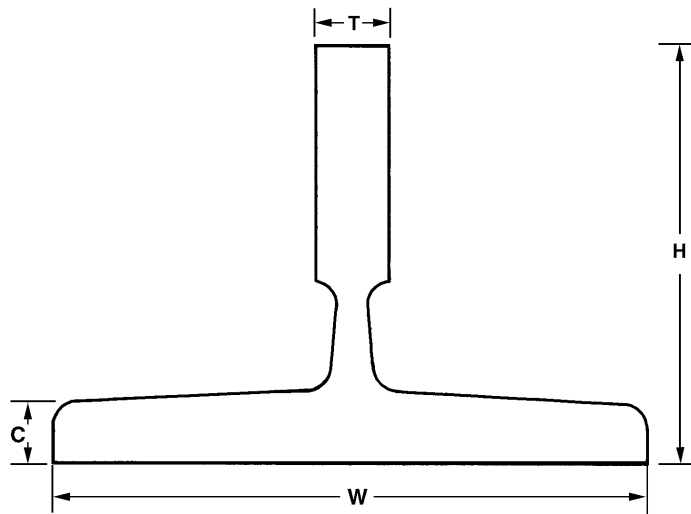


CARFRAME GUIDES

Introduction

Rail Size Chart

Rail Designation	Weight (lb./ft.)	Height (in.)	Width (in.)	Thickness (in.)	C (in.)
# 2	8	2-7/16 (62 mm)	3-1/2 (89 mm)	5/8 (16 mm)	5/16 (8 mm)
# 1-1/2	12	3-1/2 (89 mm)	5 (127 mm)	5/8 (16 mm)	5/16 (8 mm)
# 1	15	3-1/2 (89 mm)	5 (127 mm)	5/8 (16 mm)	1/2 (13 mm)
# 3/4	18.5	4-1/4 (108 mm)	5-1/2 (140 mm)	3/4 (19 mm)	1/2 (13 mm)
# 1/2	22.5	4-3/64 (103 mm)	5-1/2 (140 mm)	1-1/8 (29 mm)	36/64 (14 mm)
OA	30	5 (127 mm)	5-1/2 (140 mm)	1-1/4 (32 mm)	11/16 (17,5 mm)



OTIS



Contemporary Guide Application Chart

Car Roller Guides

Gen2R2 Limited Duty Car Roller Guide (bottom only):

9.5 in. (241 mm) wide x 5.9 in. (150 mm) deep base; 7.4 in. (188 mm) overall height

Guide Size	Part Numbers	Qty.	Rail Application
160 mm (6.3 in.)	AAA24180AX4	1 piece	# 2
160 mm (6.3 in.)	AAA24180AX5	1 piece	# 3/4
160 mm (6.3 in.)	AAA24180AX8	1 piece	# 1 and # 1-1/2

Elevator Cars: Traction Applications—350 FPM and under

Guide Size	Part Numbers	Qty.	Rail Application
125 mm (4.92 in.)	KAA24180A3	Set of 4	# 1 and # 1-1/2

Elevator Cars: Traction Applications—351–500 FPM

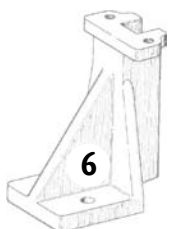
Guide Size	Part Numbers	Qty.	Rail Application
7-7/8 in. (200 mm)	F6261C7	Set of 4	# 1 and # 1-1/2
7-7/8 in. (200 mm)	F6261C8	Set of 4	# 3/4

Elevators Cars: Traction Applications—501–1200 FPM

Guide Size	Part Numbers	Qty.	Rail Application
10 in.	B6261AM10	Set of 4	# 1
10 in.	B6261AM9	Set of 4	# 3/4
10 in.	B6261AM11	Set of 4	# 1/2
10 in.	B6261AM12	Set of 4	# OA

Hydraulic Elevator Applications

Guide Size	Part Numbers	Qty.	Rail Application
76 mm (3 in.)	KAA25830B5	Set of 4	# 2
76 mm (3 in.)	KAA25830B6	Set of 4	# 1 and # 1-1/2



CARFRAME GUIDES

Counterweight Roller Guides

Gen2 Limited Duty Car Roller Guide (top only) and Counterweight Roller Guide (top and bottom):
8-1/8 in. (206 mm) wide x 5.9 in. (150 mm) deep base; 4 in. (102 mm) overall height

Guide Size	Part Numbers	Qty.	Rail Application	Location on Rail
76 mm (3 in.)	AAA24180AW1	1 piece	# 2	Top
76 mm (3 in.)	AAA24180AW4	1 piece	# 2	Bottom
76 mm (3 in.)	AAA24180AW7	1 piece	# 1, # 1-1/2	Top
76 mm (3 in.)	AAA24180AW8	1 piece	# 1, # 1-1/2	Bottom

Counterweights—700 FPM and under

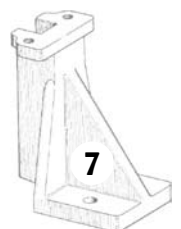
Guide Size	Part Numbers	Qty.	Rail Application
76 mm (3 in.) with spring-loaded postwise roller	KAA25830AAA3	Set of 4	# 1, # 1-1/2, # 2

Counterweights—Over 700 FPM

Guide Size	Part Numbers	Qty.	Rail Application
125 mm (4.92 in.)	KAA25830A3	Set of 4	# 1, # 1-1/2

©Otis Elevator, March 2007

North America: (800) 600 - 6847 • Fax (860) 286 - 1605
Elsewhere: (860) 242-3632 • Fax (860) 286 - 1657



OTIS

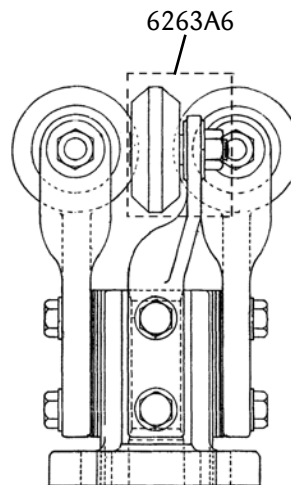
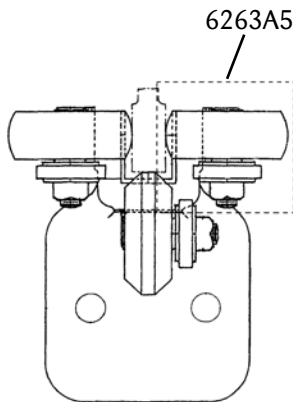
Roller Guides

2-1/4-Inch Roller Guides: 6261B

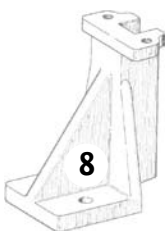
See SPL 14-6261B



Part Number	Description
6263A5	Roller, Front-Back, 2-1/4 in. (57 mm)
6263A6	Roller, Postwise, 2-1/4 in. (57 mm)



© Otis Elevator, March 2007



Roller Guides

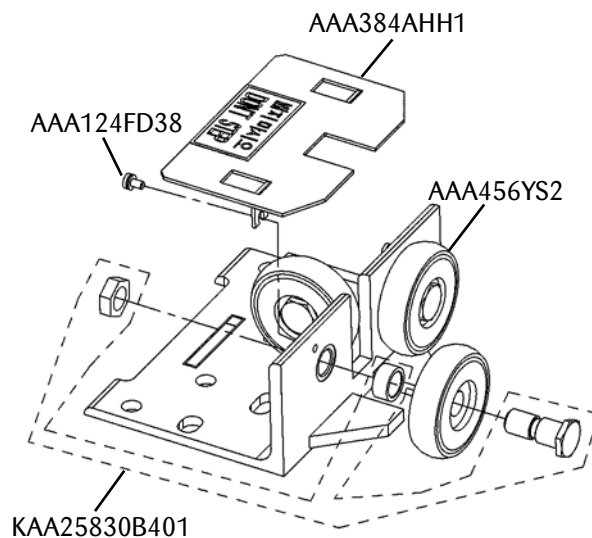
North America: (800) 600 - 6847 • Fax (860) 286 - 1605
Elsewhere: (860) 242-3632 • Fax (860) 286 - 1657

CARFRAME GUIDES

76 mm Roller Guides: KAA25830B

See SPL 14-KAA25830B

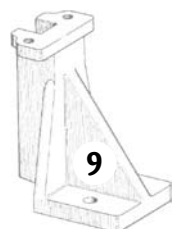
Part Number	Description	Rail Application	Location on Rail
KAA25830B1	Roller Guide Assembly	# 2	Top
KAA25830B2	Roller Guide Assembly	# 2	Bottom
KAA25830B3	Roller Guide Assembly	# 1-1/2	Top
KAA25830B4	Roller Guide Assembly	# 1-1/2	Bottom
AAA384AHH1	Guard		
KAA25830B401	Roller Bolt Kit		
AAA456YS2	Roller, 76 mm (3 in.)		
AAA124FD38	Screw, M5X10 Sems		



©Otis Elevator, March 2007

North America: (800) 600 - 6847 • Fax (860) 286 - 1605
Elsewhere: (860) 242-3632 • Fax (860) 286 - 1657

Roller Guides



OTIS

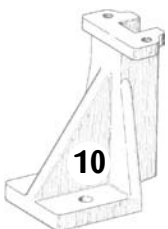
76 mm Roller Guides with Spring-Loaded Postwise Rollers: KAA25830AAA

See SPL 14-KAA25830AAA

Part Number	Description	Rail Application
KAA25830AAA3	Roller Guide Assembly	# 1, # 1-1/2, # 2



© Otis Elevator, March 2007



Roller Guides

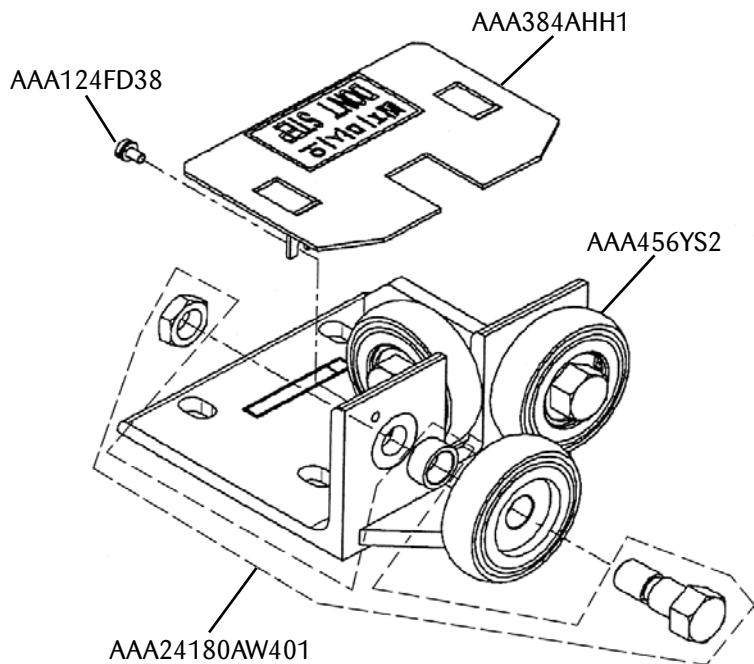
North America: (800) 600 - 6847 • Fax (860) 286 - 1605
Elsewhere: (860) 242-3632 • Fax (860) 286 - 1657

CARFRAME GUIDES

76 mm Roller Guides: AAA24180AW

See SPL 14-AAA24180AW

Part Number	Description	Rail Application	Location on Rail
AAA24180AW2	Roller Guide Assembly	# 3/4	Top
AAA24180AW5	Roller Guide Assembly	# 3/4	Bottom
AAA24180AW1	Roller Guide Assembly	# 2	Top
AAA24180AW4	Roller Guide Assembly	# 2	Bottom
AAA24180AW7	Roller Guide Assembly	# 1 and # 1-1/2	Top
AAA24180AW8	Roller Guide Assembly	# 1 and # 1-1/2	Top
AAA384AHH1	Guard		
AAA24180AW401	Hardware: Mounting Hardware Kit		
AAA456YS2	Roller, 76 mm (3 in.)		
AAA124FD38	Screw, M5X10 Sems		



North America: (800) 600 - 6847 • Fax (860) 286 - 1605
Elsewhere: (860) 242-3632 • Fax (860) 286 - 1657

Roller Guides



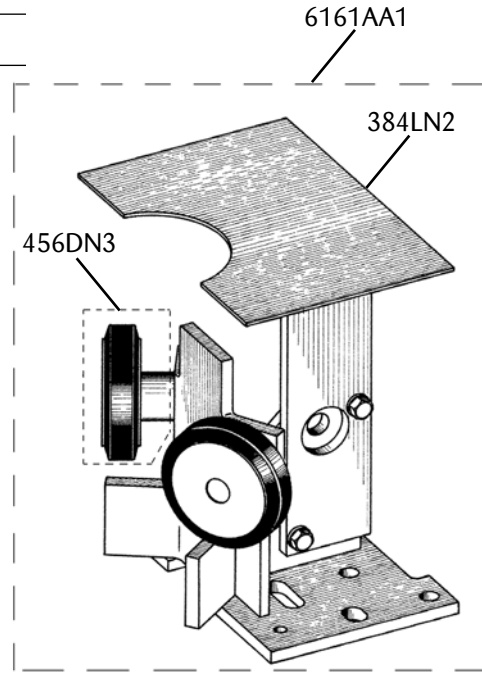
OTIS



3-Inch Round Roller Guides: 6161AA

See SPL 14-6161AA

Part Number	Description	Rail Application
6161AA1	Roller Guide Assembly	Round
384LN2	Guard	
456DN3	Roller, 3 in. (76 mm)	

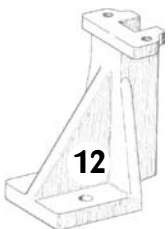
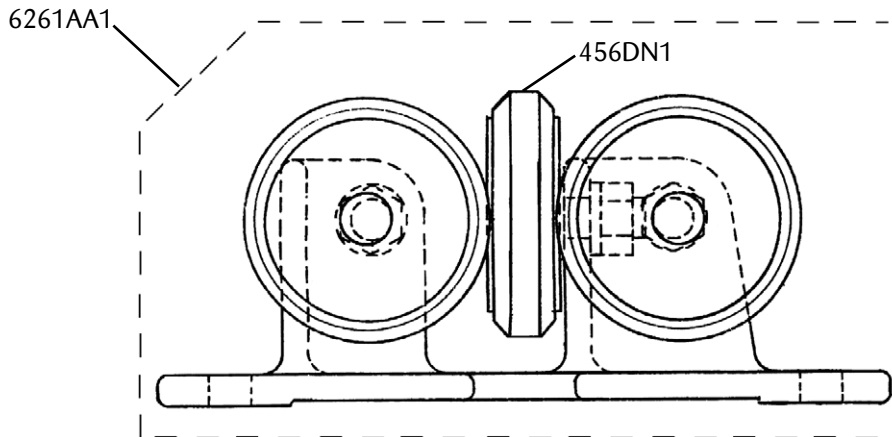


© Otis Elevator, March 2007

3-Inch Roller Guides: 6261AA

See SPL 14-6161AA

Part Number	Description
6261AA1	Roller Guide Assembly
456DN1	Roller, 3 in. (76 mm)



12

Roller Guides

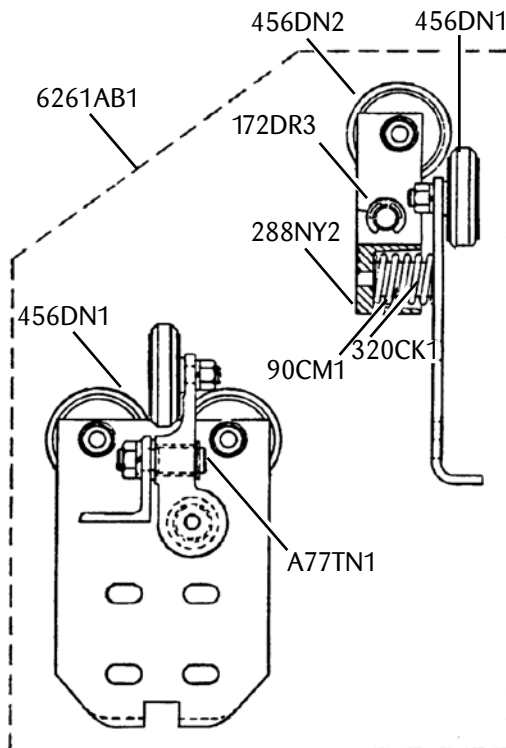
North America: (800) 600 - 6847 • Fax (860) 286 - 1605
Elsewhere: (860) 242-3632 • Fax (860) 286 - 1657

CARFRAME GUIDES

3-Inch Roller Guides: 6261AB

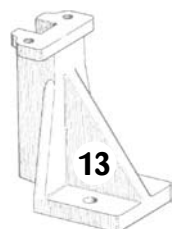
See SPL 14-6261AA

Part Number	Description
6261AB1	Roller Guide Assembly
320CK1	Bumper, Rubber, 1-3/4 in. (44 mm)
288NY2	Lever
A77TN1	Pin, Shouldered, 2.5 in. 5/8-11
172DR3	Ring, Retaining
456DN2	Roller, Postwise, 3 in. (76 mm)
456DN1	Roller, Side, 3 in. (76 mm)
90CM1	Spring, Compression



North America: (800) 600 - 6847 • Fax (860) 286 - 1605
Elsewhere: (860) 242-3632 • Fax (860) 286 - 1657

Roller Guides



OTIS

3-3/4-Inch Roller Guides: 6261P

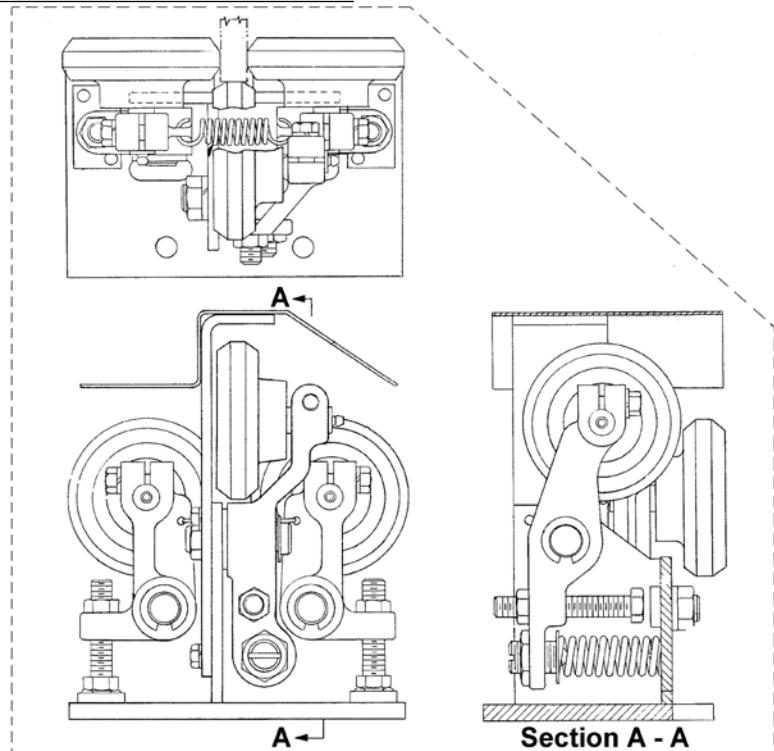
See SPL 14-6261P



Part Number	Description	Location on Rail
A6261P1	Roller Guide Assembly (see NOTE)	Bottom
A6261P2	Roller Guide Assembly (see NOTE)	Bottom
A6261P3	Roller Guide Assembly (see NOTE)	Bottom
A6261P4	Roller Guide Assembly (see NOTE)	Top
*	Lever, Postwise	
*	Lever, Front-Back	
*	Pin	
*	Ring, Retaining	
456CN4-SV	Roller, 3-3/4 in. (95 mm)	
*	Screw, Spring Adjusting	
*	Spring, Front-Back	
*	Spring, Postwise	
*	Washer, Seat	

* Varying Vintages (more than one potential part). Contact Customer Service with casting number from stand, installation date, and vintage tag markings.

NOTE: See contemporary guide application chart on page 6—KAA25830B5 or KAA25830B6 for hydraulic elevators. See also page 7—KAA25830AAA3 for counterweights on 700 FPM and under applications.



Roller Guides

North America: (800) 600 - 6847 • Fax (860) 286 - 1605
Elsewhere: (860) 242-3632 • Fax (860) 286 - 1657

CARFRAME GUIDES

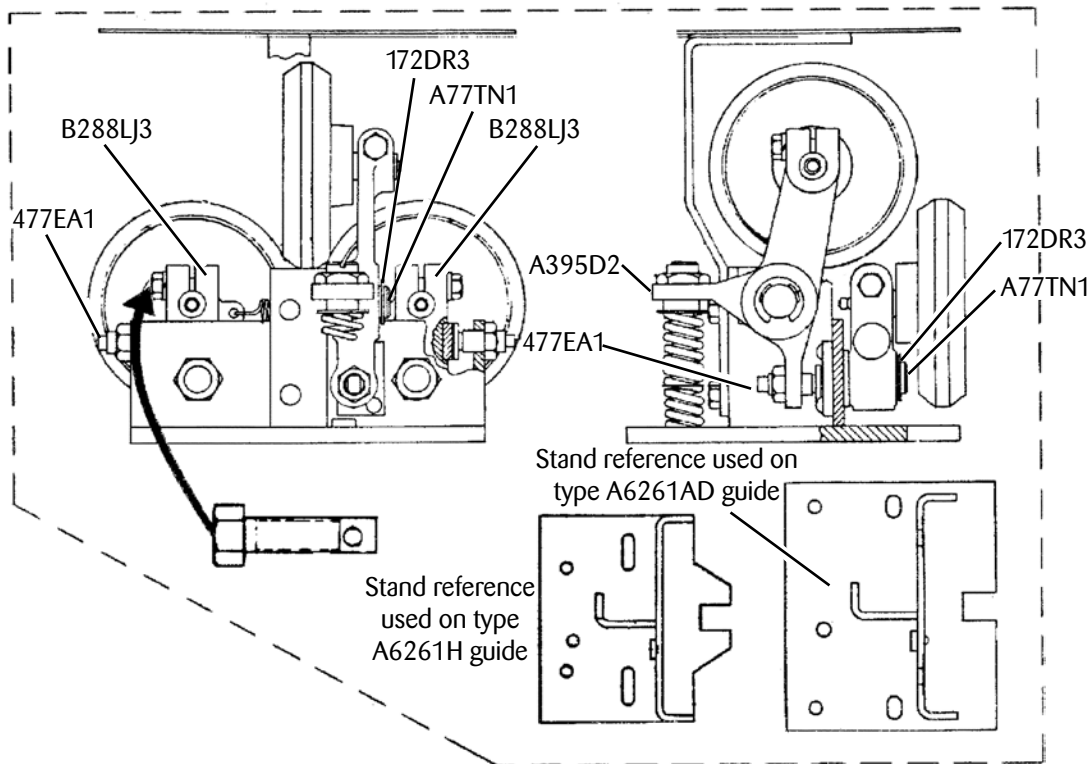
4-7/8-Inch Roller Guides: 6261AD

See SPL 14-6261AD

Part Number	Description	Location on Rail
A6261AD1	Roller Guide Assembly (see NOTE)	Bottom
A6261AD2	Roller Guide Assembly (see NOTE)	Top
B288LJ3	Lever, with Bumper, Bushing, and Metric Bolt	
A395D2	Lever, with Bushing	
A77TN1	Pin	
172DR3	Ring, Retaining	
477EA1	Stop, 1-1/2 in. (38 mm) long, 1/2-13 thread	

NOTE: See Contemporary Guide Application Chart on page 6 for KAA24180A3 or KAA25830A3.

©Otis Elevator, March 2007



North America: (800) 600 - 6847 • Fax (860) 286 - 1605
Elsewhere: (860) 242-3632 • Fax (860) 286 - 1657

Roller Guides



OTIS

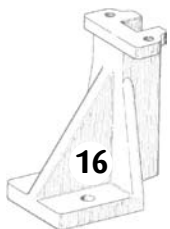
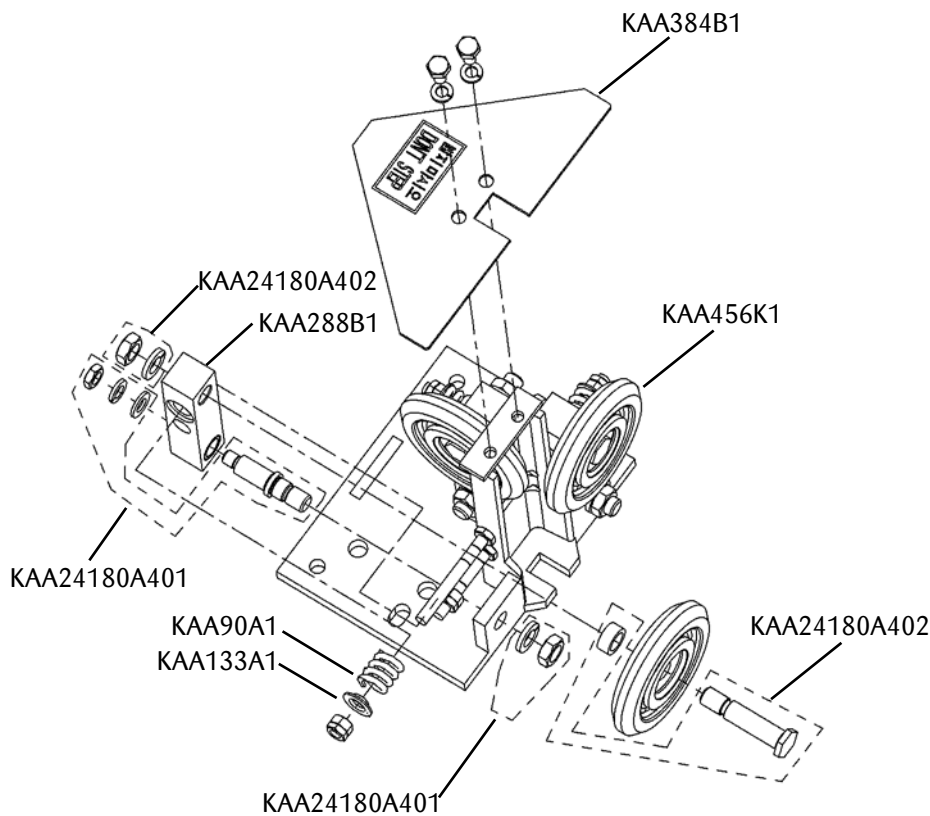
125 mm Roller Guides: KAA24180A

See SPL 14-KAA24180A

Part Number	Description	Rail Application	Location on Rail
KAA24180A1	Roller Guide Assembly	# 1-1/2 and # 2	Top
KAA24180A2	Roller Guide Assembly	# 1-1/2 and # 2	Bottom
KAA384B1	Guard		
KAA288B1	Lever		
KAA456K1	Roller, 125 mm (4.92 mm)		
KAA24180A401	Service Kit, Postwise Lower Pivot		
KAA24180A402	Service Kit, Roller Bolt		
KAA90A1	Spring		
KAA133A1	Spring Seat		



© Otis Elevator, March 2007



16

Roller Guides

North America: (800) 600 - 6847 • Fax (860) 286 - 1605
Elsewhere: (860) 242-3632 • Fax (860) 286 - 1657

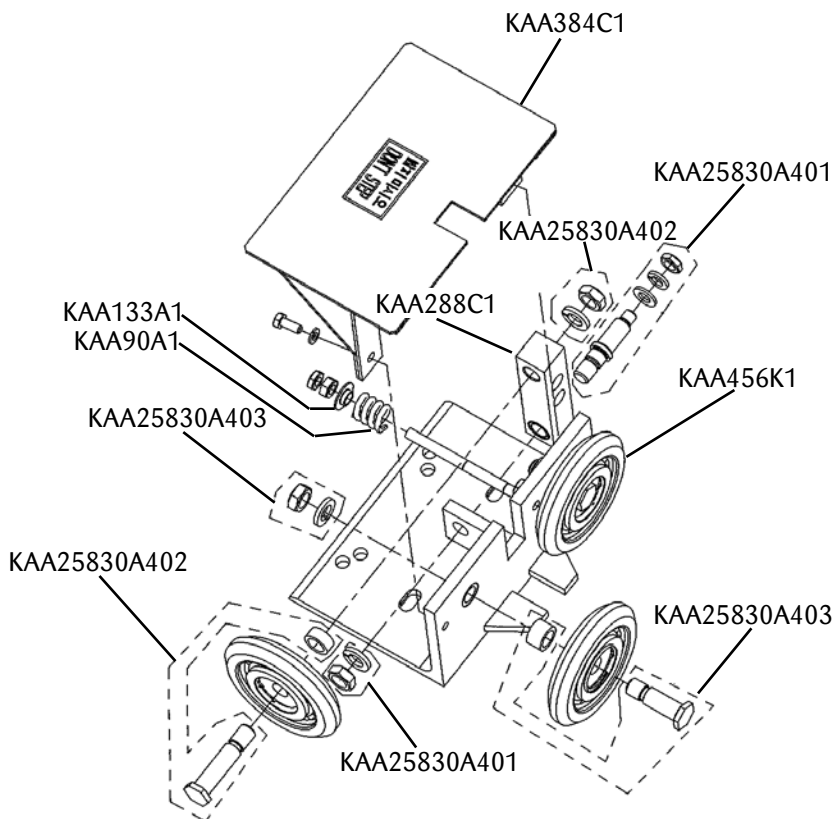
CARFRAME GUIDES

125 mm Roller Guides: KAA25830A

SPL 14-KAA25830A

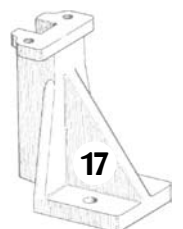
Part Number	Description	Rail Application	Location on Rail
KAA25830A1	Roller Guide Assembly	# 1-1/2 and # 2	Top
KAA25830A2	Roller Guide Assembly	# 1-1/2 and # 2	Bottom
KAA384C1	Guard		
KAA288C1	Lever Assembly		
KAA456K1	Roller, 125 mm (4.92 mm)		
KAA25830A403	Service Kit, Front to Back Roller Bolt		
KAA25830A401	Service Kit, Postwise Lower Pivot		
KAA25830A402	Service Kit, Postwise Upper Pivot		
KAA90A1	Spring		
KAA133A1	Spring Seat		

©Otis Elevator, March 2007



North America: (800) 600 - 6847 • Fax (860) 286 - 1605
Elsewhere: (860) 242-3632 • Fax (860) 286 - 1657

Roller Guides



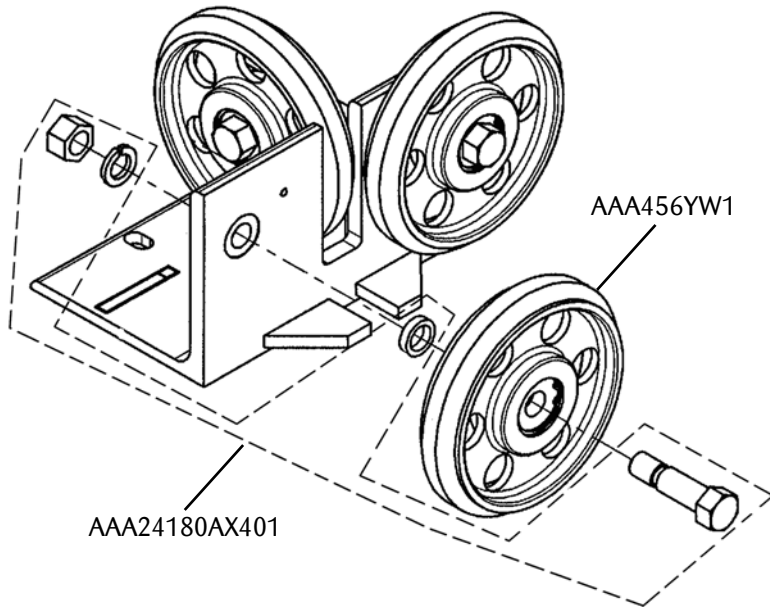
17

OTIS

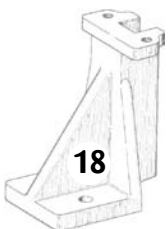
160 mm Roller Guides: AAA24180AX

See SPL 14-AAA24180AX

Part Number	Description	Rail Application
AAA24180AX4	Roller Guide Assembly	# 2
AAA24180AX5	Roller Guide Assembly	# 3/4
AAA24180AX8	Roller Guide Assembly	# 1 and # 1-1/2
AAA24180AX401	Hardware Kit	
AAA456YW1	Roller, 160 mm (6.3 in.)	



© Otis Elevator, March 2007



18

Roller Guides

**North America: (800) 600 - 6847 • Fax (860) 286 - 1605
Elsewhere: (860) 242-3632 • Fax (860) 286 - 1657**

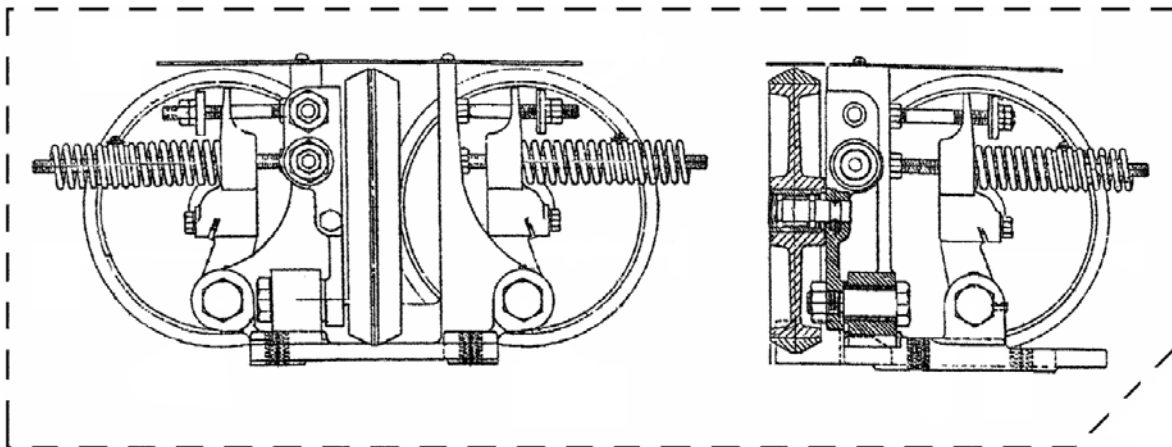
CARFRAME GUIDES

7-7/8-Inch Roller Guides: 6261C

See SPL 14-E6261C

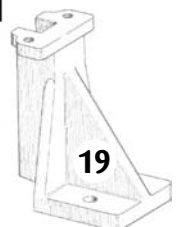
Part Number	Description	Rail Application	Location on Rail
F6261C1	Car Roller Guide	# 1 and # 1-1/2	Top
F6261C2	Car Roller Guide	# 3/4	Top
F6261C4	Car Roller Guide	# 1 and # 1-1/2	Bottom
F6261C5	Car Roller Guide	# 3/4	Bottom
F6261C3	Counterweight Roller Guide	# 1 and # 1-1/2	Top
F6261C6	Counterweight Roller Guide	# 1 and # 1-1/2	Bottom
*	Bolt		
*	Bushing		
B384NB1	Guard		
*	Lever		
*	Lever		
*	Nut		
*	Rod		
*	Rod		
456CL4-SV	Roller, 7-7/8 in. (200 mm)		
	Spring		
149AG4	Spring, Anchor		
*	Wick		

* Varying Vintages (more than one potential part). Contact Customer Service with casting number from stand, installation date, and vintage tag markings.



Roller Guides

North America: (800) 600 - 6847 • Fax (860) 286 - 1605
Elsewhere: (860) 242-3632 • Fax (860) 286 - 1657



OTIS

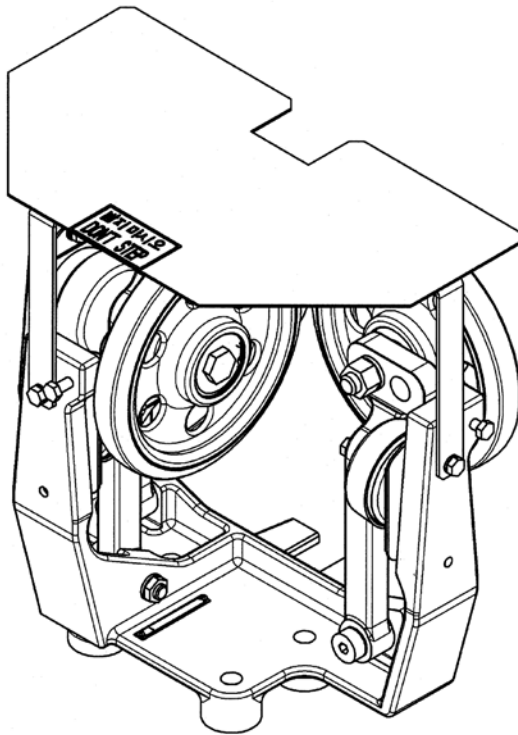
200 mm and 260 mm Ultra Roller Guides: AAA24180AV

See SPL 14-AAA24180AV



Part Number	Description
AAA24180AV1	Assembly, Ultra Roller Guide, 200 mm (7.875 in.), with Guard. For #1, #1-1/2, and #3/4 guide rails.
AAA24180AV2	Assembly, Ultra Roller Guide, 260 mm (10.24 in.), with Guard. For #1, #1-1/2, and #3/4 guide rails.
AAA24180AV3	Assembly, Ultra Roller Guide, 260 mm (10.24 in.), with Guard. For #1/2 and OA guide rails.
AAA24180AV4	Assembly, Ultra Roller Guide, 200 mm (7.875 in.), without Guard. For #1, #1-1/2, and #3/4 guide rails.
AAA24180AV5	Assembly, Ultra Roller Guide, 260 mm (10.24 in.), without Guard. For #1, #1-1/2, and #3/4 guide rails.
AAA24180AV6	Assembly, Ultra Roller Guide, 260 mm (10.24 in.), without Guard. For #1/2 and OA guide rails.

© Otis Elevator, March 2007



**200 mm Roller Guide Assemblies
AAA24180AV1 and AAA24180AV4
(260 mm Roller Guide Assemblies are Similar;
AAA24180AV2, 3, 5, and 6)**



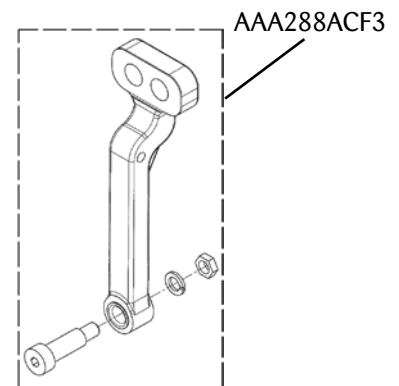
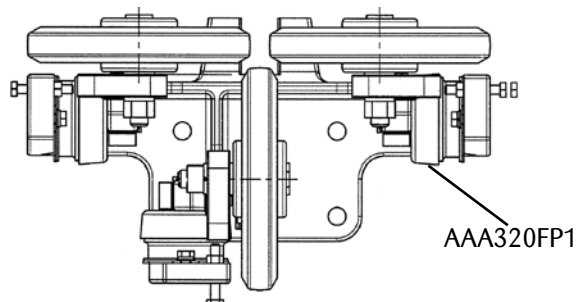
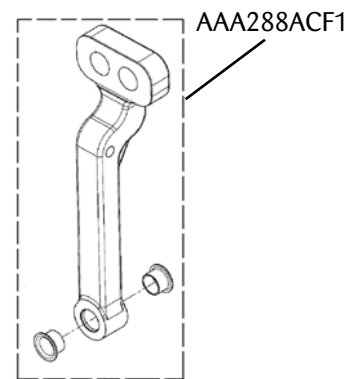
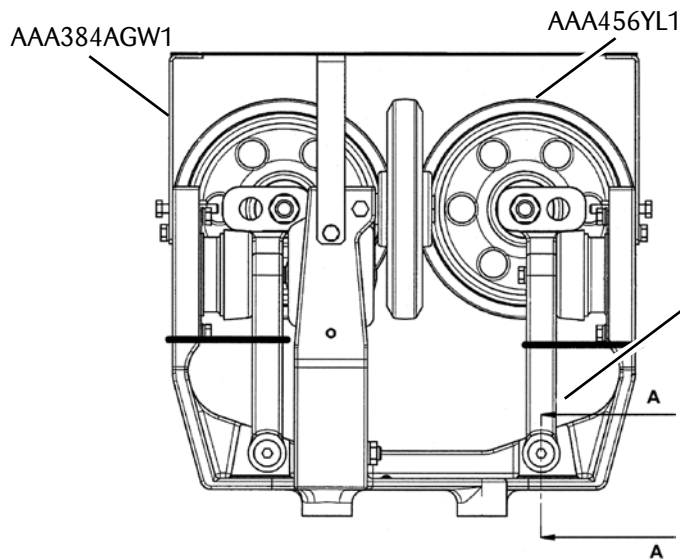
Roller Guides

**North America: (800) 600 - 6847 • Fax (860) 286 - 1605
Elsewhere: (860) 242-3632 • Fax (860) 286 - 1657**

CARFRAME GUIDES

Part Number	Description
AAA456YL1	Roller, 200 mm (7.875 in.)
AAA456YL2	Roller, 260 mm (10.24 in.)
AAA320FP1	Bumper
AAA384AGW1	Guard
AAA288ACF1	Lever
AAA288ACF3	Lever Kit

© Otis Elevator, March 2007



North America: (800) 600 - 6847 • Fax (860) 286 - 1605
Elsewhere: (860) 242-3632 • Fax (860) 286 - 1657

Roller Guides



OTIS

10-Inch Roller Guides: 6261AM

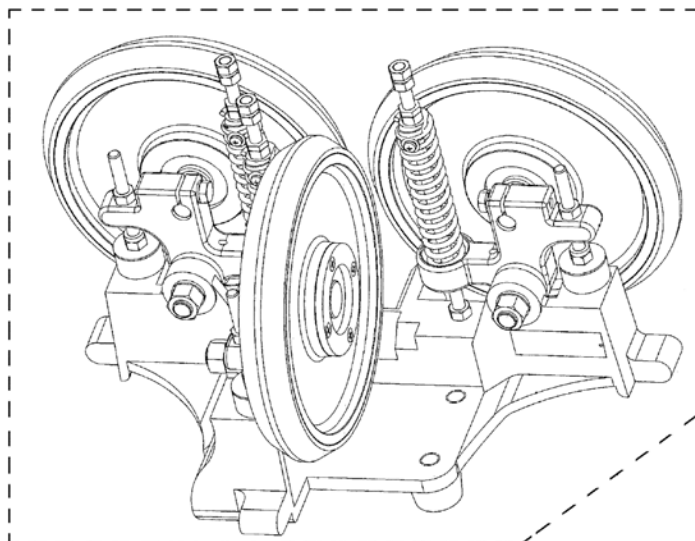
See SPL 14-A6261AM

Part Number	Description	Rail Application	Location on Rail
B6261AM3	Roller Guide Assembly	# 1	Top
B6261AM4	Roller Guide Assembly	# 1	Bottom
B6261AM5	Roller Guide Assembly	# 1/2	Top
B6261AM6	Roller Guide Assembly	# 1/2	Bottom
B6261AM1	Roller Guide Assembly	# 3/4	Top
B6261AM2	Roller Guide Assembly	# 3/4	Bottom
B6261AM7	Roller Guide Assembly	# OA	Top
B6261AM8	Roller Guide Assembly	# OA	Bottom
*	Bolt		
*	Lever		
*	Rod		
*	Rod		
*	Roller, 10 in.		
90BM1	Spring		
194AG4	Spring, Anchor		
*	Stop		

* Varying Vintages (more than one potential part). Contact Customer Service with casting number from stand, installation date, and vintage tag markings.



© Otis Elevator, March 2007



22

Roller Guides

**North America: (800) 600 - 6847 • Fax (860) 286 - 1605
Elsewhere: (860) 242-3632 • Fax (860) 286 - 1657**

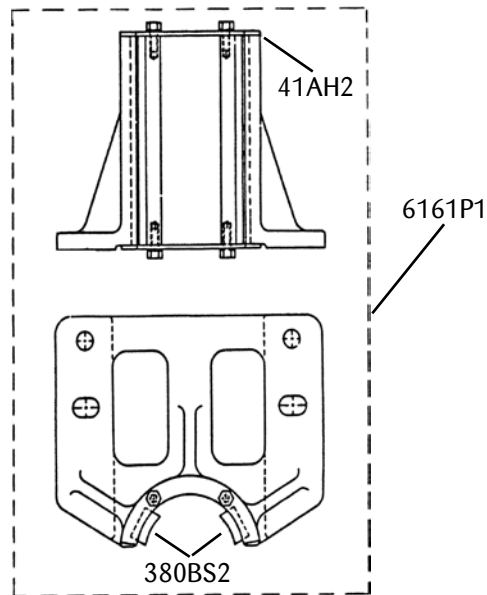
CARFRAME GUIDES

Round Rail Guides

3-Inch Slide Guide Shoes: 6161P

See SPL C-3033

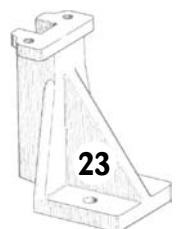
Part Number	Description	Rail Application
6161P1	Guide Shoe Assembly	3-Inch (76 mm) Round Tubular Guide Rails
380BS2	Gib, 6.3 in. (160 mm) long	
41AH2	Keeper	



© Otis Elevator, March 2007

North America: (800) 600 - 6847 • Fax (860) 286 - 1605
Elsewhere: (860) 242-3632 • Fax (860) 286 - 1657

Round Rail Guides



OTIS

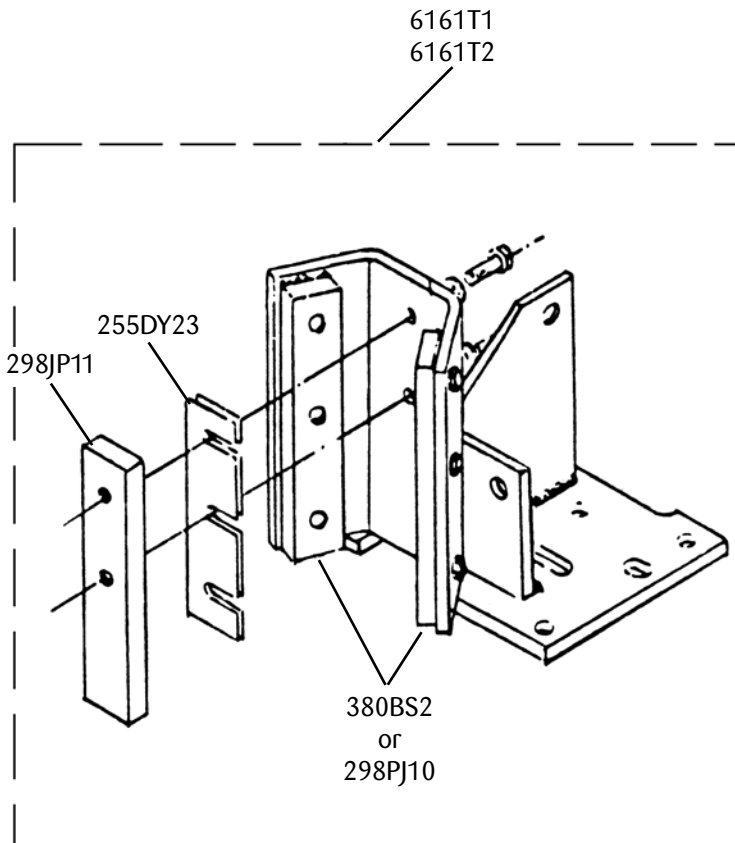
3-Inch Slide Guide Shoes: 6161T

See SPL C-3033

Part Number	Description	Rail Application
6161T1	Guide Shoe Assembly with 2-Sided Gibs (380BS2 only)	Round Tubular Guide Rails
6161T2	Guide Shoe Assembly with Bronze Strip (p/n 298PJ11) at Center and with 2-Sided Strip (p/n 298PJ10)	Round Tubular Guide Rails
380BS2	Gib, 6.3 in. (160 mm) long	
255DY23	Shim	
298PJ11	Strip (Center), Bronze, 0.62 in. (16 mm) thick, 6.32 in. (160 mm) long	
298PJ10	Strip, Bronze, 0.5 in. (13 mm) thick, 6.32 in. (160 mm) long	



© Otis Elevator, March 2007



24

Round Rail Guides

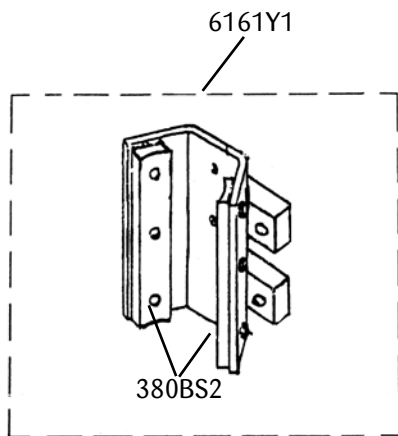
North America: (800) 600 - 6847 • Fax (860) 286 - 1605
Elsewhere: (860) 242-3632 • Fax (860) 286 - 1657

CARFRAME GUIDES

3-Inch Slide Guide Shoes: 6161Y

See SPL C-3033

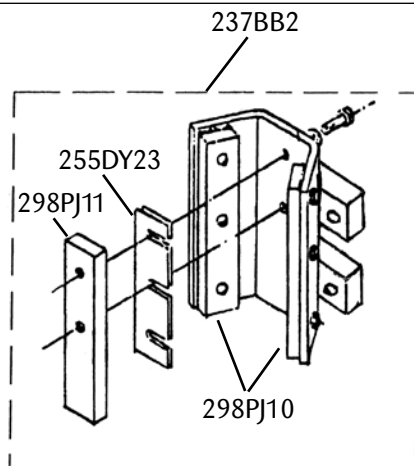
Part Number	Description	Rail Application
6161Y1	Guide Shoe Assembly	Round Tubular Guide Rails
380BS2	Gib, 6.3 in. (160 mm) long	



3-Inch Slide Guide Shoes: 237BB

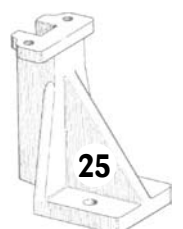
See SPL C-3033

Part Number	Description	Rail Application
237BB2	Guide Shoe Assembly	Round Tubular Guide Rails
255DY23	Shim (two per assembly)	
298PJ11	Strip (Center), Bronze, 0.62 in. (16 mm) thick, 6.32 in. (160 mm) long	
298PJ10	Strip, Bronze, 0.5 in. (13 mm) thick, 6.32 in. (160 mm) long	



North America: (800) 600 - 6847 • Fax (860) 286 - 1605
Elsewhere: (860) 242-3632 • Fax (860) 286 - 1657

Round Rail Guides



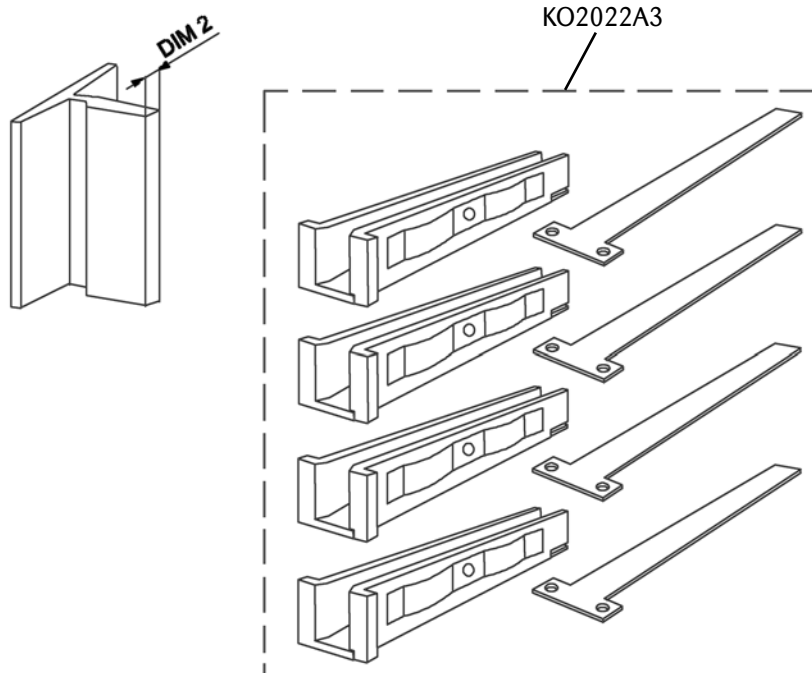
OTIS

Slide Guides

Guide Shoes: KO237D

See SPL 14-KO237D

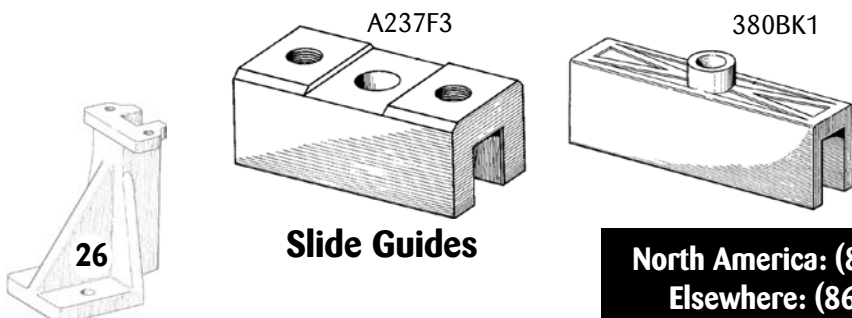
Part Number	Description	Rail Application
KO2022A3	Guide Shoe, DIM 2 = 16 mm (0.62 in.)	# 2



Solid Guides for 6946F Carframes: A237F

See SPL C-3033

Part Number	Description	Rail Application
A237F3	Shoe, 1 in. (25 mm) groove width (accepts p/n 380BK1 gib)	5/8-Inch
A237F1	Shoe, 4 in. long (early style without gib)	5/8-Inch
380BK1	Gib, 4 in. (102 mm) long, 1 in. (25 mm) overall width (also used for compensation frame assemblies)	



North America: (800) 600 - 6847 • Fax (860) 286 - 1605
Elsewhere: (860) 242-3632 • Fax (860) 286 - 1657

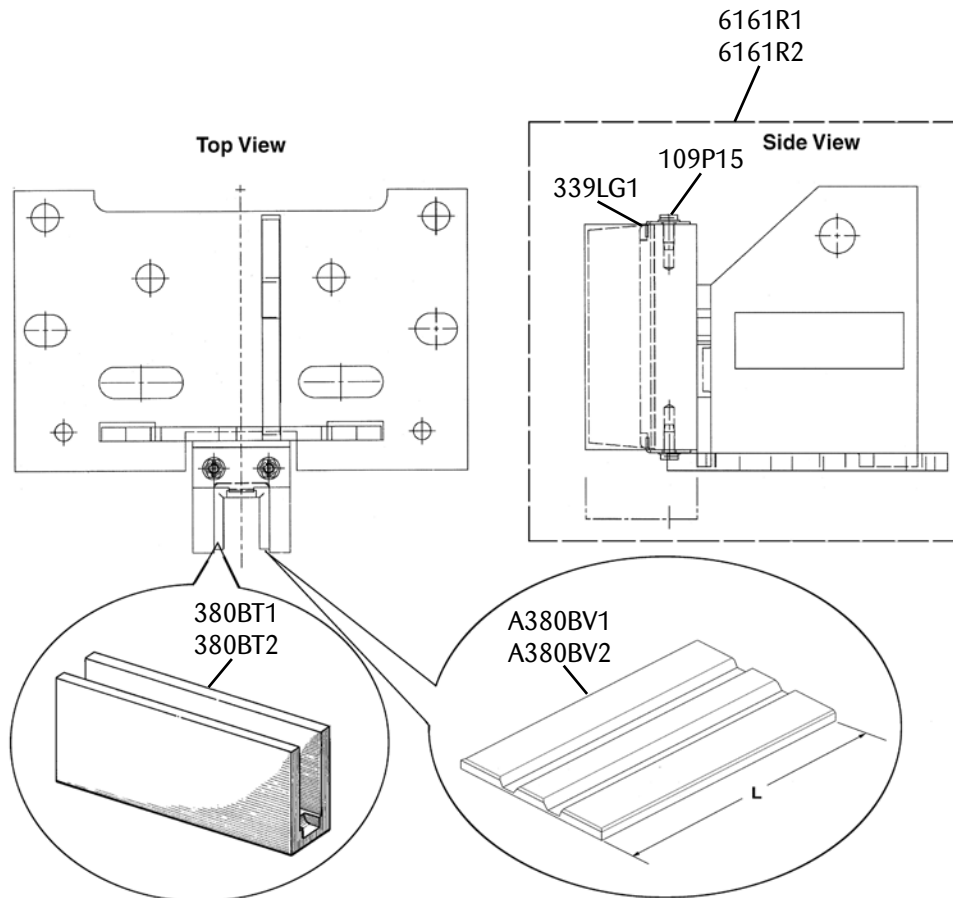
CARFRAME GUIDES

Slide Guide Shoes: 6161R

See SPL 14-6161R

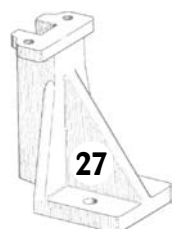
Part Number	Description
6161R1	Guide Shoe, 4 in. (102 mm)
6161R2	Guide Shoe, 6 in. (153 mm)
339LG1	Clip, Retaining (Top and Bottom)
380BT1	Gib, Cast Iron, 4 in. (102 mm)
380BT2	Gib, Cast Iron, 6 in. (153 mm)
A380BV1	Gib, Plastic, 4 in. (102 mm)
A380BV2	Gib, Plastic, 6 in. (153 mm)
109P15	Screw

©Otis Elevator, March 2007



North America: (800) 600 - 6847 • Fax (860) 286 - 1605
 Elsewhere: (860) 242-3632 • Fax (860) 286 - 1657

Slide Guides



OTIS

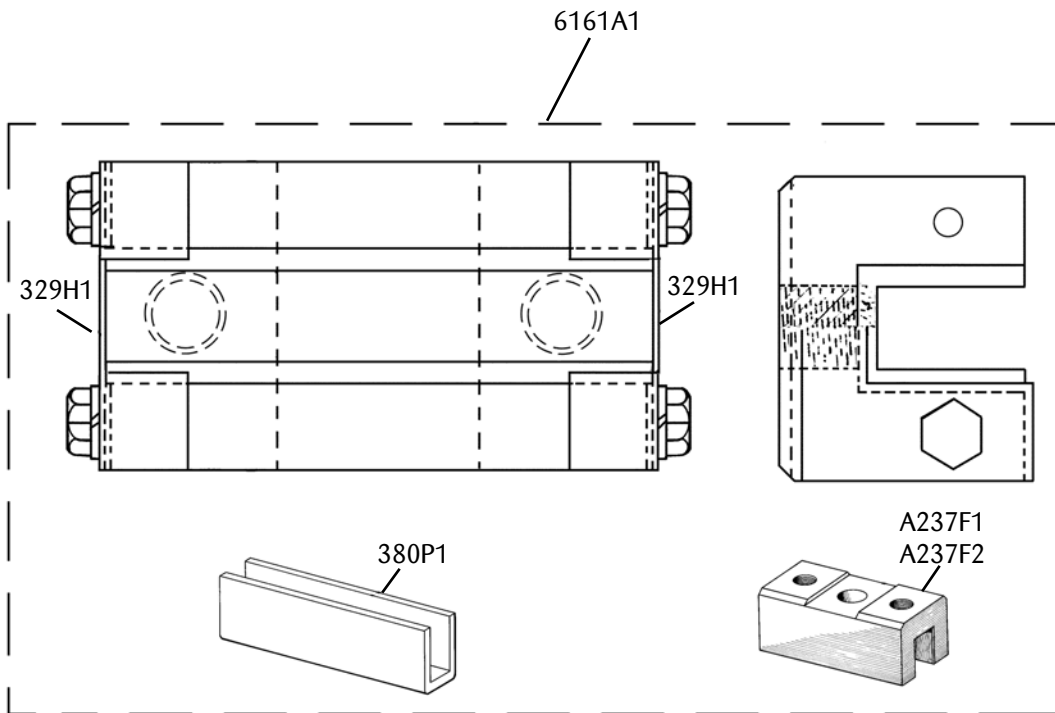
Residence, Passenger, and Freight (HP 1500 Model), Early Counterweights (5/8-Inch Rails): 6161A

See SPL C-3033

Part Number	Description	Rail Application
A237F2	Shoe	# 2
A237F1	Shoe (No Gib Used)	# 1, 1-1/2, # 2
6161A1	Shoe Assembly, Counterweight	# 2
329H1	Cap	
380P1	Gib, Leather, 4 in. (102 mm) long	



© Otis Elevator, March 2007



28

Slide Guides

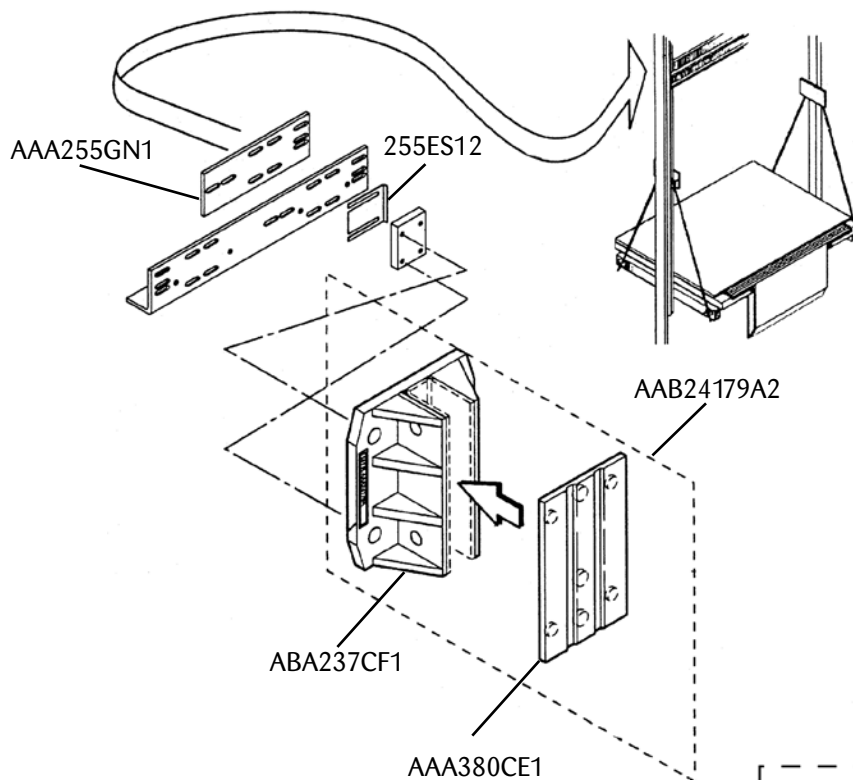
North America: (800) 600 - 6847 • Fax (860) 286 - 1605
Elsewhere: (860) 242-3632 • Fax (860) 286 - 1657

CARFRAME GUIDES

Guide Shoes: AAA24179A

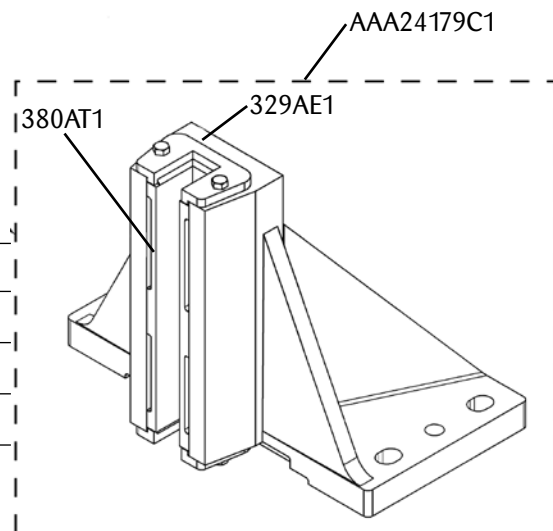
See SPL 14-AAA24179A

Part Number	Description
AAB24179A2	Guide Shoe Assembly
ABA237CF1	Base
AAA380CE1	Gib, Plastic, 5.5 in. (140 mm) long
255ES12	Shim, 0.03 in. (0,76 mm)
AAA255GN1	Shim, 0.037 in. (0,94 mm)



Slide Guide Shoes: AAA24179C

Part Number	Description
AAA24179C1	Guide Shoe Assembly
329AE1	Cap, End
380AT1	Gib, Cast Iron, 12 in. long



Slide Guides

North America: (800) 600 - 6847 • Fax (860) 286 - 1605
Elsewhere: (860) 242-3632 • Fax (860) 286 - 1657

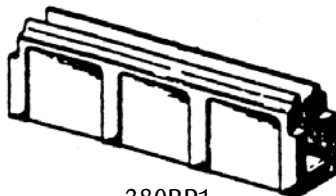
OTIS



Solid Guides for 6946BS, BT, BV Carframes

See SPL C-3033

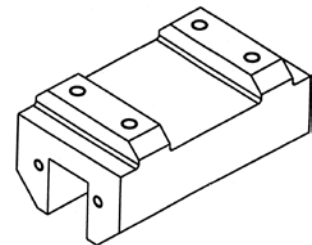
Part Number	Description	Rail Application
380BP1	Gib, Cast Iron, 8.5 in. (216 mm) long, 1.8 in. (46 mm) wide	# 3/4
237BM2	Guide Shoe	
329F1	Cap	



380BP1



329F1

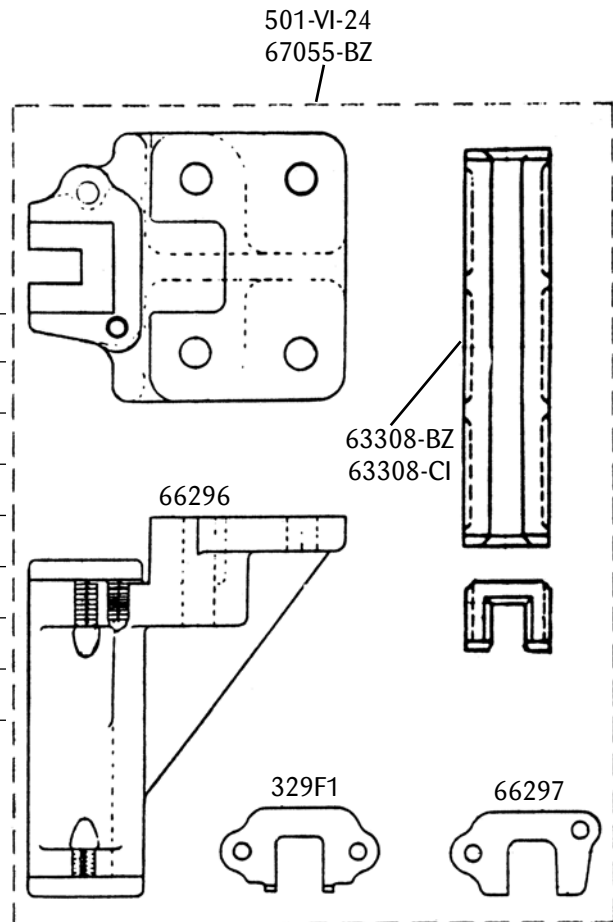


237BM2

Solid Guide Shoes with Gib for 6197A Carframes and 36 and 36C Roll Carframes: 501-VI-24

See SPL C-3033

Part Number	Description
501-VI-24	Guide Shoe Assembly w/Cast Iron Gib
67055-BZ	Guide Shoe Assembly w/Bronze Gib
66296	Guide Shoe, Cast Iron
329F1	Cap
66297	Cap
63308-BZ	Gib, Bronze, 5.5 in. (140 mm) long
63308-CI	Gib, Cast Iron, 5.5 in. (140 mm) long



30

Slide Guides

North America: (800) 600 - 6847 • Fax (860) 286 - 1605
Elsewhere: (860) 242-3632 • Fax (860) 286 - 1657

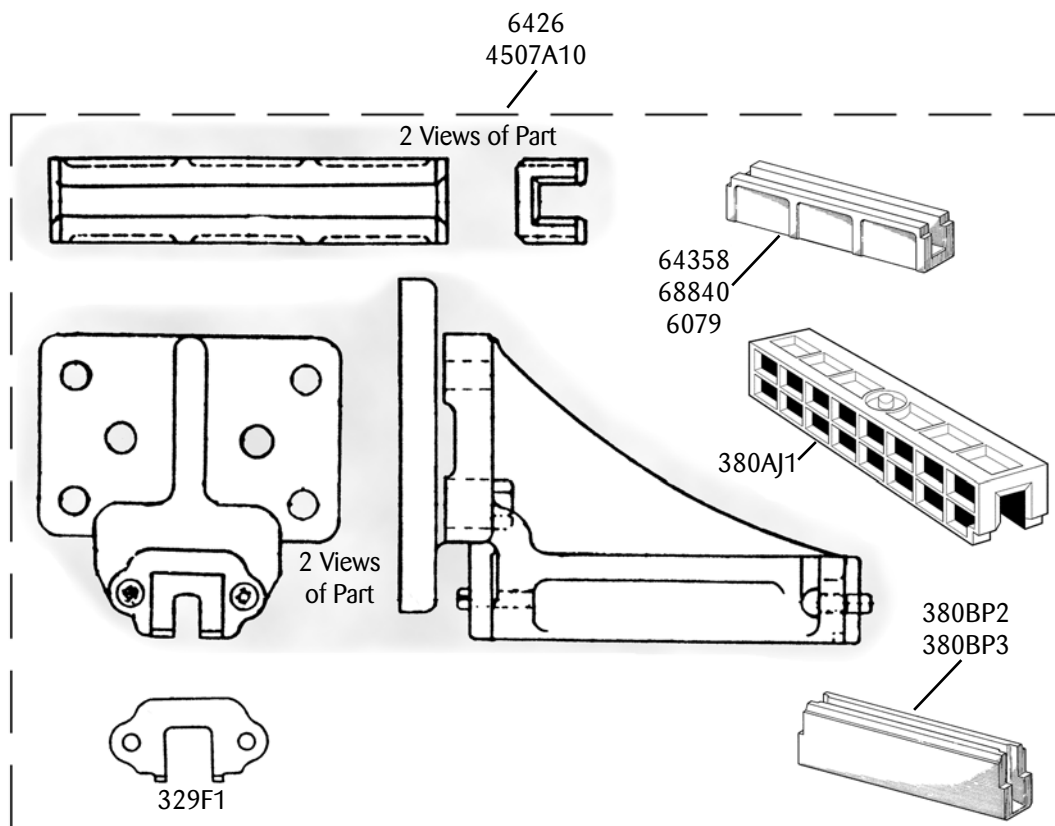
CARFRAME GUIDES

Slide Guide Shoes for 37C Roll Carframes and 5C, 8C, 12C, 14D, and 15RU Carframes: 6426

See SPL C-3033

Part Number	Description	Rail Application
6426	Guide Shoe Assembly	# 1, # 3/4
4507A10	Guide Shoe Assembly with Cast Iron Gib	# 1, # 3/4
329F1	Cap	
68840	Gib, Bronze, 8.5 in. (216 mm) long	
380BP3	Gib, Bronze, 8.5 in. (216 mm) long	
6079	Gib, Cast Iron, 8.5 in. (216 mm) long	
380BP2	Gib, Cast Iron, 8.5 in. (216 mm) long	
64358	Gib, Phosphor Bronze, 8.5 in. (216 mm) long	
380AJ1	Gib, Synthetic, 8.5 in. (216 mm) long	

©Otis Elevator, March 2007



North America: (800) 600 - 6847 • Fax (860) 286 - 1605
Elsewhere: (860) 242-3632 • Fax (860) 286 - 1657

Slide Guides



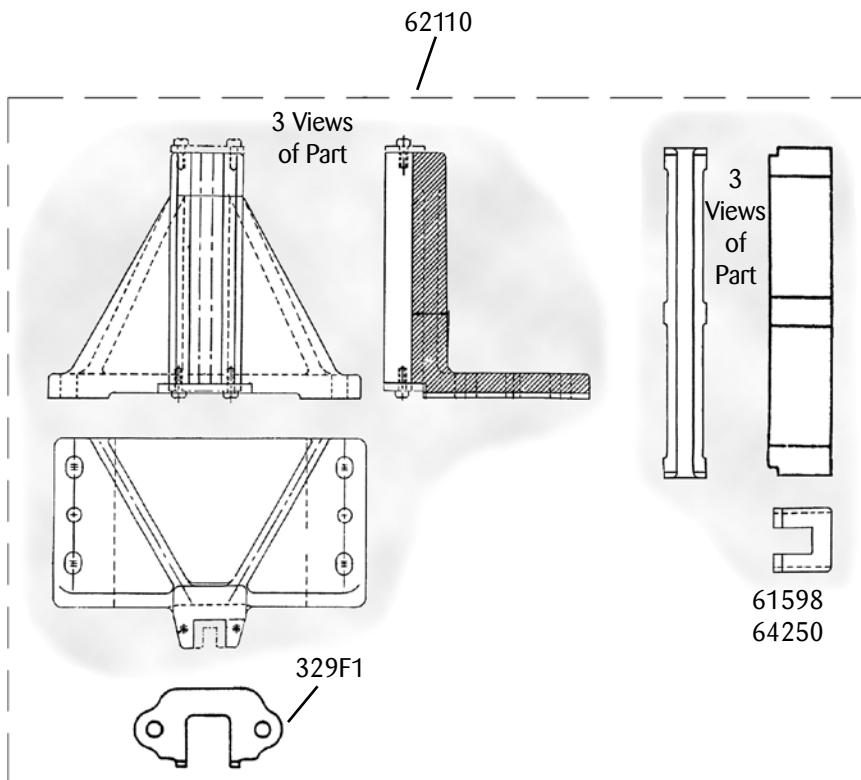
31

OTIS

42 Roll: 62110

See SPL C-3033

Part Number	Description	Rail Application	Location on Rail
62110	Guide Shoe Assembly	5/8 Inch	Top
329F1	Cap		
64250	Gib, Bronze (special order only)		
61598	Gib, Cast Iron, 12 in. (305 mm) long		



© Otis Elevator, March 2007



Slide Guides

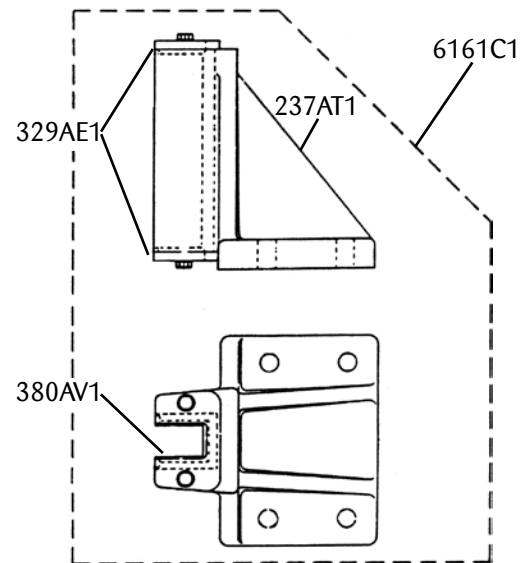
North America: (800) 600 - 6847 • Fax (860) 286 - 1605
Elsewhere: (860) 242-3632 • Fax (860) 286 - 1657

CARFRAME GUIDES

Guide Shoes for Plunger Electric Elevators with 8-Inch Uprights: 6161C

See SPL C-3033

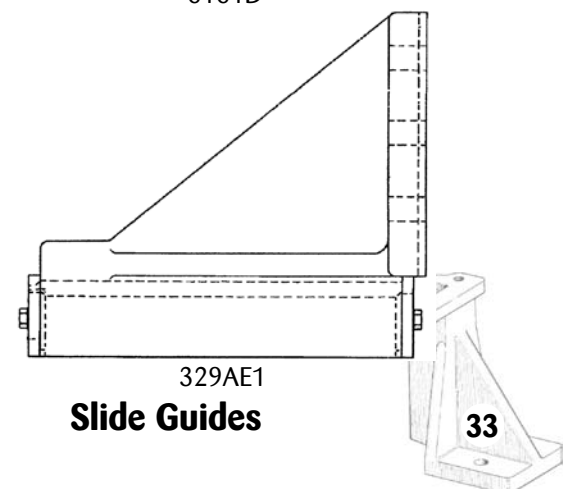
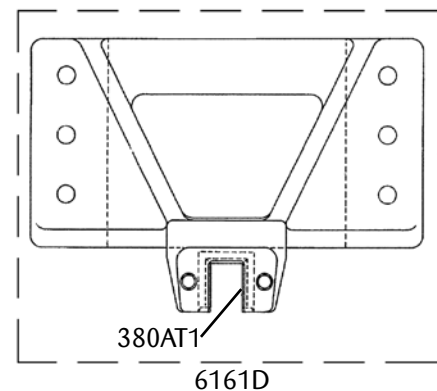
Part Number	Description	Rail Application
6161C1	Guide Shoe Assembly	OA
329AE1	Cap	
380AV1	Gib, 8.5 in. (216 mm) long	
237AT1	Shoe	



Slide Guides for Plunger Electric Elevators with 10-Inch Uprights: 6161D

See SPL C-3033

Part Number	Description	Rail Application
6161D1	Guide Shoe Assembly	OA
329AE1	Cap	
380AT1	Gib, 12 in. (305 mm) long	



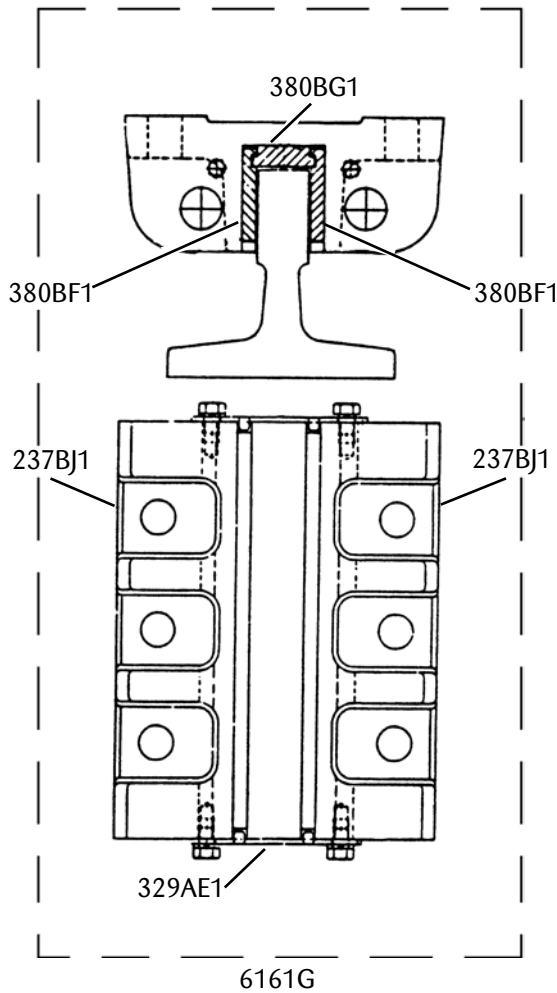
Slide Guides

OTIS

Guide Shoe Bottom Guides for 25DB Carframe: 6161G

See SPL C-3033

Part Number	Description	Rail Application
6161G1	Guide Shoe Assembly	OA
329AE1	Cap	
380BG1	Gib, Back, 10 in. (254 mm) long	
380BF1	Gib, Side, 10 in. (254 mm) long	
237BJ1	Guide Shoe	



Slide Guides

North America: (800) 600 - 6847 • Fax (860) 286 - 1605
Elsewhere: (860) 242-3632 • Fax (860) 286 - 1657

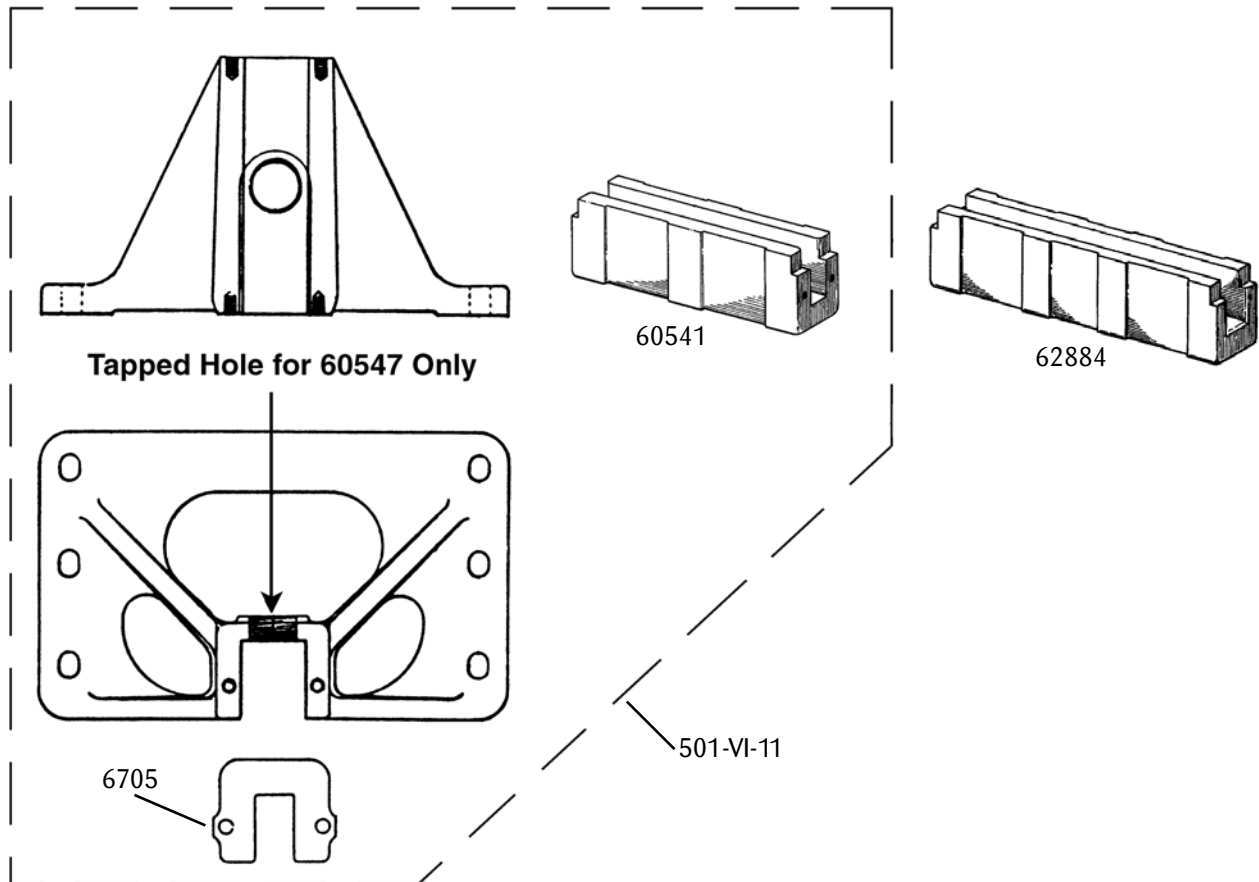
CARFRAME GUIDES

Guide Shoes for 30 Simplex and Duplex FGC Safeties: 501-VI-11

See SPL C-3033

Part Number	Description	Rail Application	Location on Rail
501-VI-11	Guide Shoe Assembly	OA	Top
6705	Cap	OA	--
62884	Gib, 14.7 in. (373 mm) long	OA	Bottom
60541	Gib, 10.7 in. (272 mm) long	OA	Top

©Otis Elevator, March 2007



North America: (800) 600 - 6847 • Fax (860) 286 - 1605
Elsewhere: (860) 242-3632 • Fax (860) 286 - 1657

Slide Guides

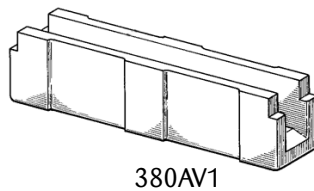
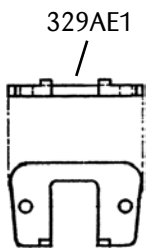
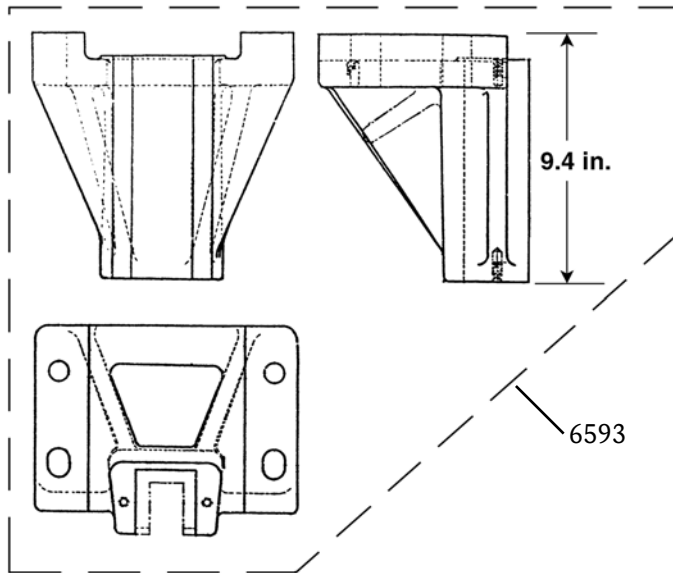


OTIS

42L Bottom Guides: 6593

See SPL C-3033

Part Number	Description	Rail Application	Location on Rail
6593	Guide Shoe, Solid	OA	Bottom
329AE1	Cap		
380AV1	Gib, 8.5 in. (216 mm) long		



Slide Guides

North America: (800) 600 - 6847 • Fax (860) 286 - 1605
Elsewhere: (860) 242-3632 • Fax (860) 286 - 1657

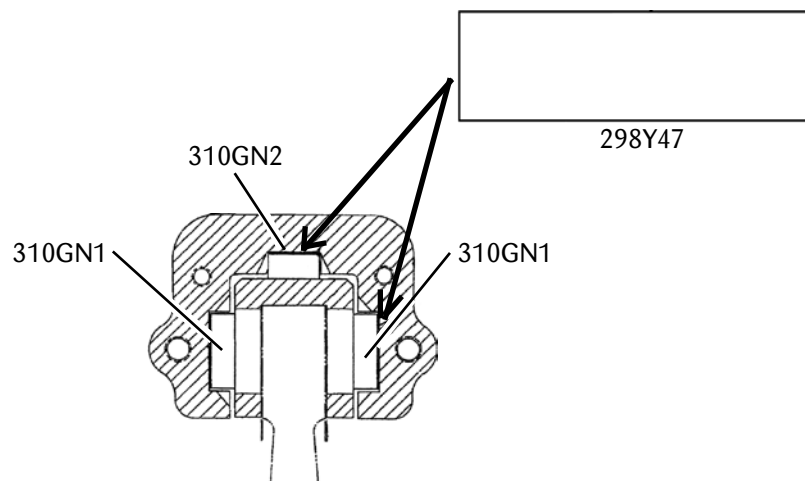
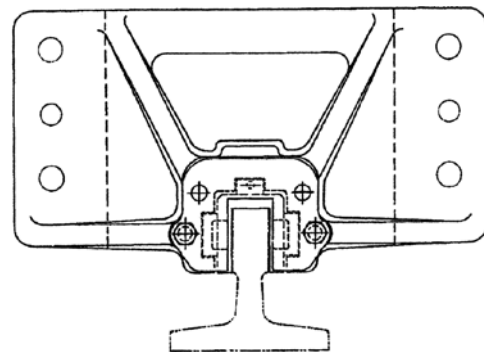
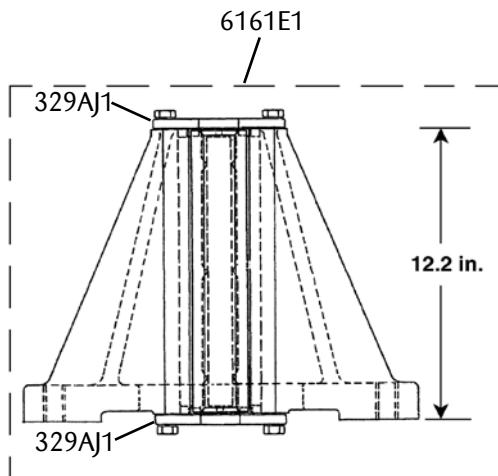
CARFRAME GUIDES

Flexible Slide Guide Shoes for 42L Bottom: 6161E

See SPL C-3033

Part Number	Description	Rail Application
6161E1	Guide Shoe Assembly, Sliding	OA
310GN2	Block, Back	
310GN1	Block, Side	
329AJ1	Cap	
380BC1	Gib, 11.9 in. (302 mm) long	
298Y47	Strip, Back	
298Y46	Strip, Side	

©Otis Elevator, March 2007



North America: (800) 600 - 6847 • Fax (860) 286 - 1605
Elsewhere: (860) 242-3632 • Fax (860) 286 - 1657

Slide Guides

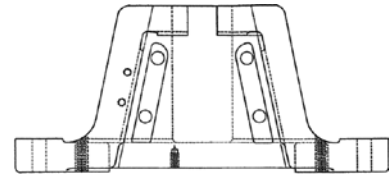
37

OTIS

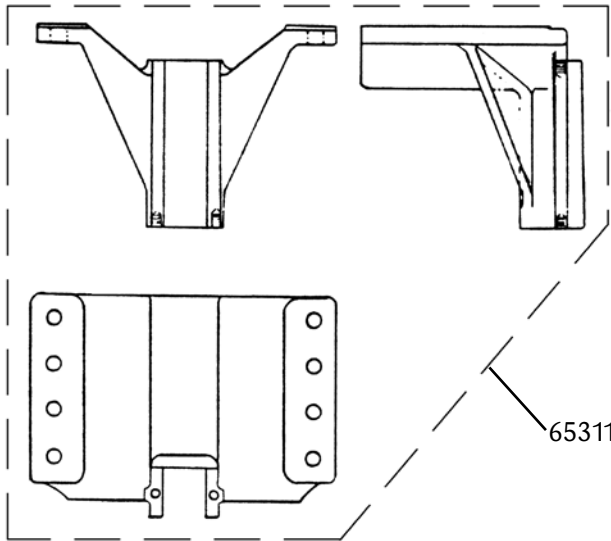
Guide Shoes for 60 Roll Safeties: 65311

See SPL C-3033

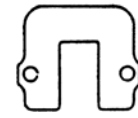
Part Number	Description	Rail Application
65311	Guide Shoe Assembly	OA
65377	Block, Left-Hand	
65316	Block, Right-Hand	
6705	Cap	
60541	Gib, 10.7 in. (272 mm) long, without Spring Backing	
6749	Gib, with Spring Backing	



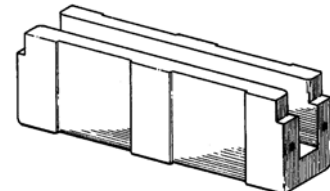
65377
65316



65311



6705



6749
60541

© Otis Elevator, March 2007



38

Slide Guides

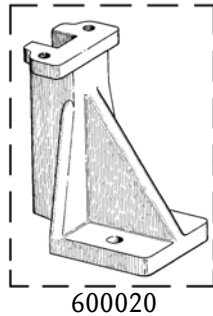
North America: (800) 600 - 6847 • Fax (860) 286 - 1605
Elsewhere: (860) 242-3632 • Fax (860) 286 - 1657

CARFRAME GUIDES

Counterweight Solid Guides: 600020

See SPL C-3033

Part Number	Description	Rail Application
600020	Guide Shoe Assembly Guide Engagement Length = 6 in. (152 mm)	#1, #2

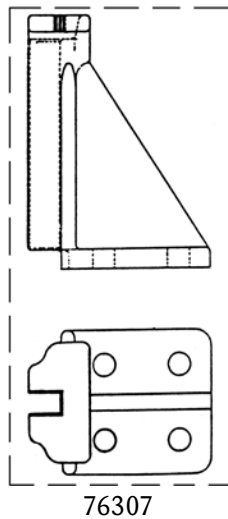


©Otis Elevator, March 2007

Counterweight Solid Guide Shoes for Freight Applications: 76307

See SPL C-3033

Part Number	Description	Rail Application
76307	Guide Shoe Assembly, Solid Guide Engagement Length = 7-3/8 in. (187 mm)	#1, #1-1/2, #2



North America: (800) 600 - 6847 • Fax (860) 286 - 1605
Elsewhere: (860) 242-3632 • Fax (860) 286 - 1657

Slide Guides



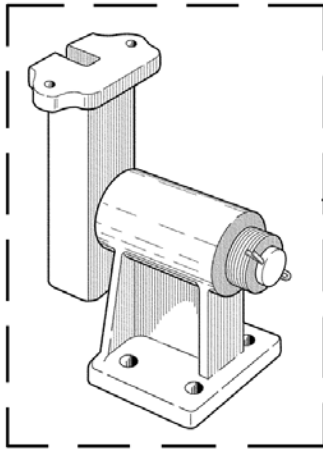
OTIS

Swivel Guides

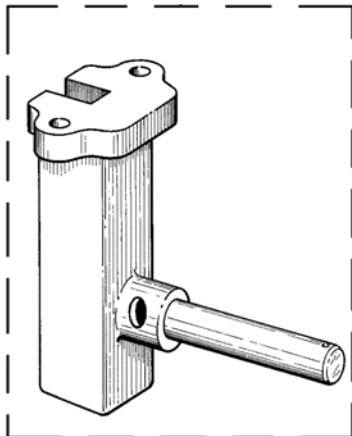
Bottom Swivel Guides for 36C Carframes: 67054

See SPL C-3033

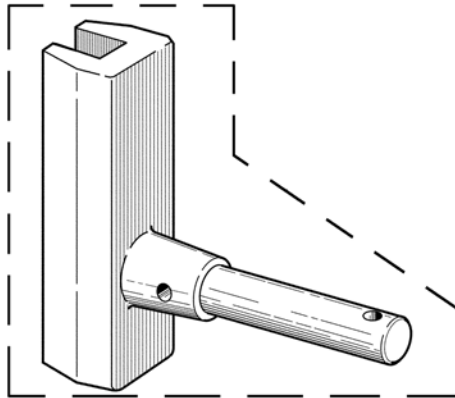
Part Number	Description	Rail Application	Location on Rail
67054	Guide Assembly, Swivel, with Base	5/8 Inch	--
501-VI-33	Guide Assembly, Swivel	5/8 Inch	Upper
62108	Guide Shoe Assembly	5/8 Inch	--
63571	Bracket, Shoe	5/8 Inch	Bottom
60505	Shoe and Pin Assembly, 5.5 in. (140 mm) long		
60507	Shoe and Pin Assembly, 5.5 in. (140 mm) long		



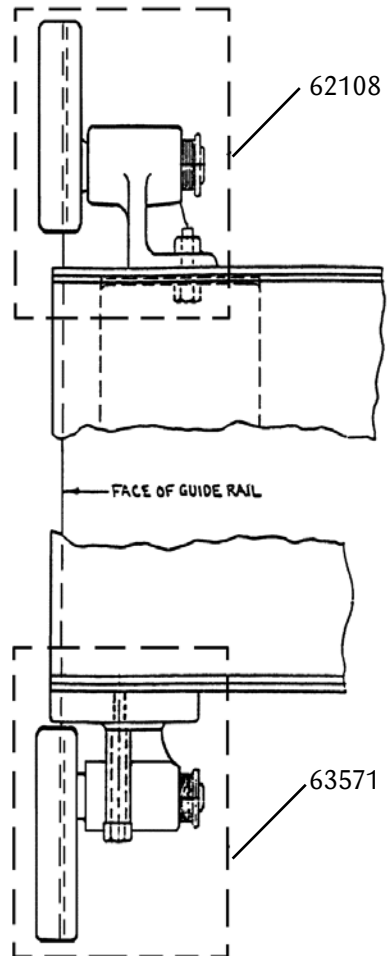
67054
501-VI-33



60507



60505



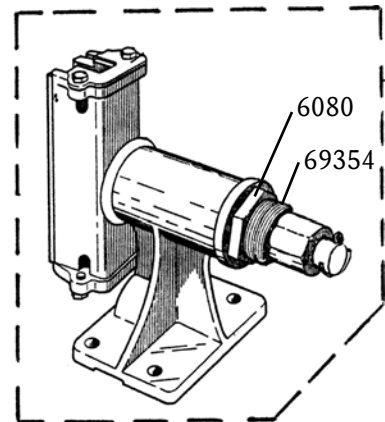
© Otis Elevator, March 2007

CARFRAME GUIDES

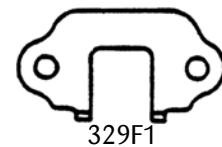
Swivel Guides for Multiple Applications: 501-VI-28

See SPL C-3033

Part Number	Description	Rail Application
501-VI-28	Guide Shoe Assembly, Swivel, with Cast Iron Gib	# 2
501-VI-48	Guide Shoe Assembly, Swivel, with Synthetic Gib	# 2
65869	Guide Shoe Assembly, 8.5 in. (216 mm) long, with Stem	# 2
69354	Bushing	
329F1	Cap	
64358	Gib, Bronze, 8.5 in. (216 mm) long	
6079	Gib, Cast Iron, 8.5 in. (216 mm) long	
380AJ1	Gib, Synthetic, 8.5 in. (216 mm) long	
6080	Locknut	
90SC5	Spring	
814618	Washer, 0.06 in. (1,5 mm), Hard Fibre	
814619	Washer, 0.12 in. (3 mm), Hard Fibre	
814616	Washer, 0.06 in. (1,5 mm), Vellumoid Soft Gasket	
814617	Washer, 0.12 in. (3 mm), Vellumoid Soft Gasket	



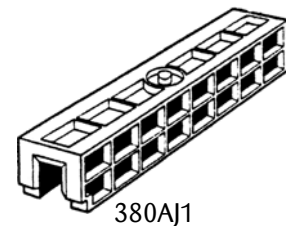
501-VI-38
501-VI-48



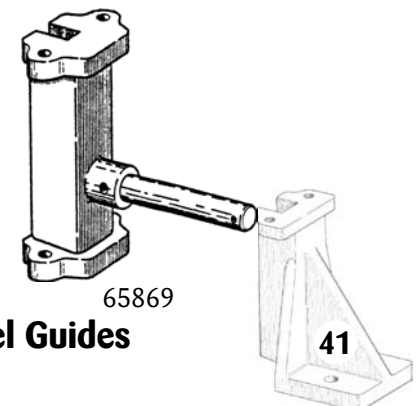
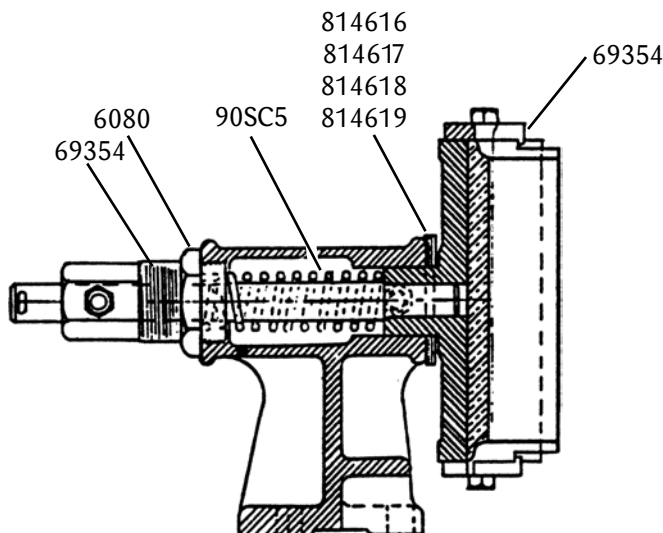
329F1



6079
64358



380AJ1



65869

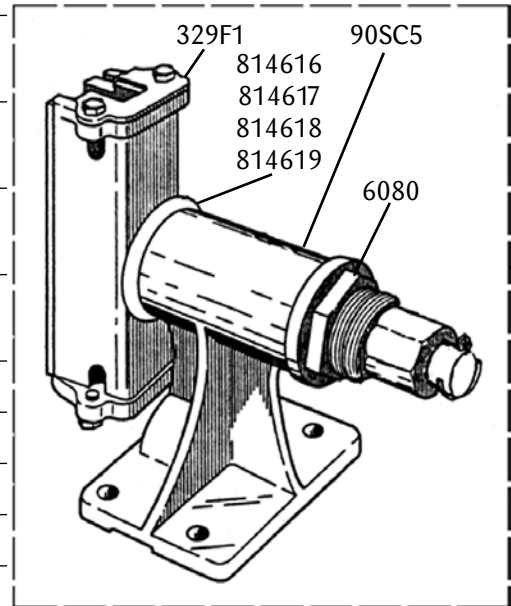
Swivel Guides

OTIS

Swivel Guides for 5C, 8C, 14D, and 15R Carframes: 501-VI-30

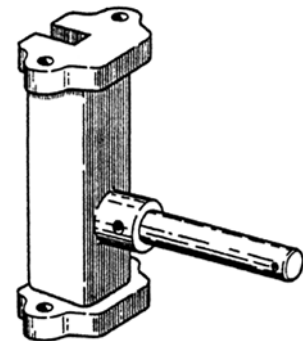
See SPL C-3033

Part Number	Description	Rail Application
65870	Guide Shoe Assembly, 8.5 in. (216 mm) long	# 1, # 1-1/2, # 3/4
501-VI-46	Guide Shoe Assembly, with Cast Iron Gib	# 1, # 1-1/2, # 3/4
501-VI-49	Guide Shoe Assembly, with Synthetic Gib	# 1, # 1-1/2, # 3/4
501-VI-30	Guide Shoe Assembly, without Gib	# 1, # 1-1/2, # 3/4
329F1	Cap	
64315	Gib, Bronze, 8.5 in. (216 mm) long	
64376	Gib, Cast Iron, 8.5 in. (216 mm) long	
380AH1	Gib, Synthetic, 8.5 in. (216 mm) long	
6080	Nut	
90SC5	Spring	
814618	Washer, 0.06 in. (1,5 mm), Hard Fibre	
814619	Washer, 0.12 in. (3 mm), Hard Fibre	
814616	Washer, 0.06 in. (1,5 mm), Vellumoid Soft Gasket	
814617	Washer, 0.12 in. (3 mm), Vellumoid Soft Gasket	



© Otis Elevator, March 2007

501-VI-30
501-VI-46
501-VI-49



65870



42

Swivel Guides

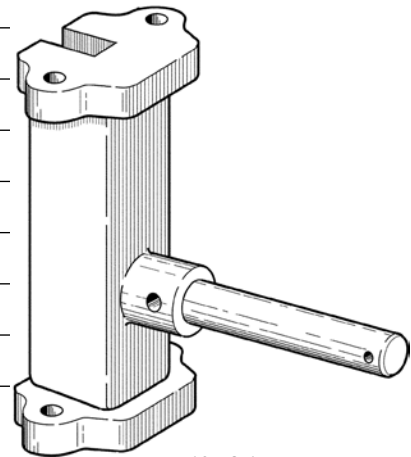
**North America: (800) 600 - 6847 • Fax (860) 286 - 1605
Elsewhere: (860) 242-3632 • Fax (860) 286 - 1657**

CARFRAME GUIDES

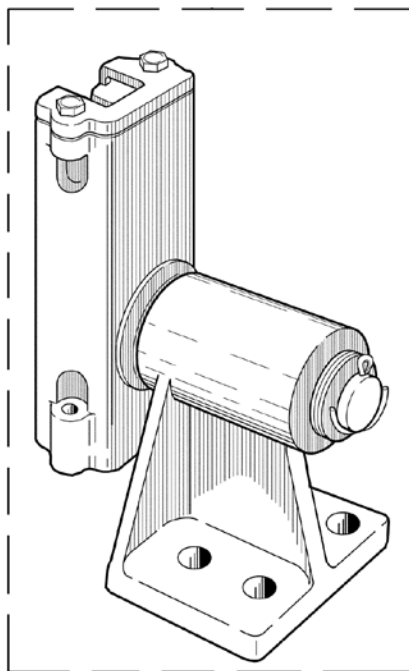
Swivel Guides for 6A, 11, and 43 Wedge-Clamp Counterweight Safeties: 66677

See SPL C-3033

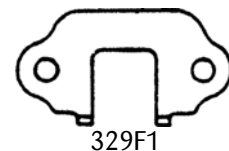
Part Number	Description	Rail Application
66677	Guide Shoe, Swivel	#2
63186	Guide Shoe, Swivel, with Pin	#2
329F1	Cap	
64358	Gib, Bronze, 8.5 in. (216 mm) long	
6079	Gib, Cast Iron, 8.5 in. (216 mm) long	
380AJ1	Gib, Plastic, 8.5 in. (216 mm) long	
90SC1	Spring	



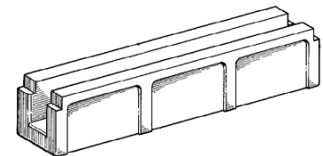
63186



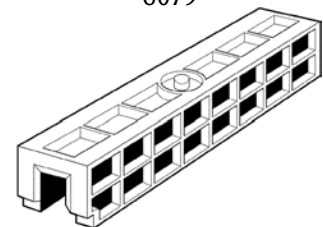
66677



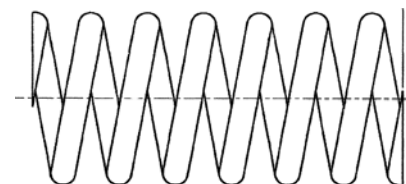
329F1



64358
6079



380AJ1



90SC1

North America: (800) 600 - 6847 • Fax (860) 286 - 1605
Elsewhere: (860) 242-3632 • Fax (860) 286 - 1657

Swivel Guides



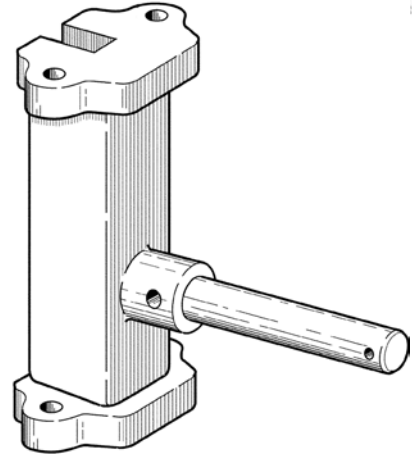
43

OTIS

Swivel Guides for Structural Frame Counterweights: 66674

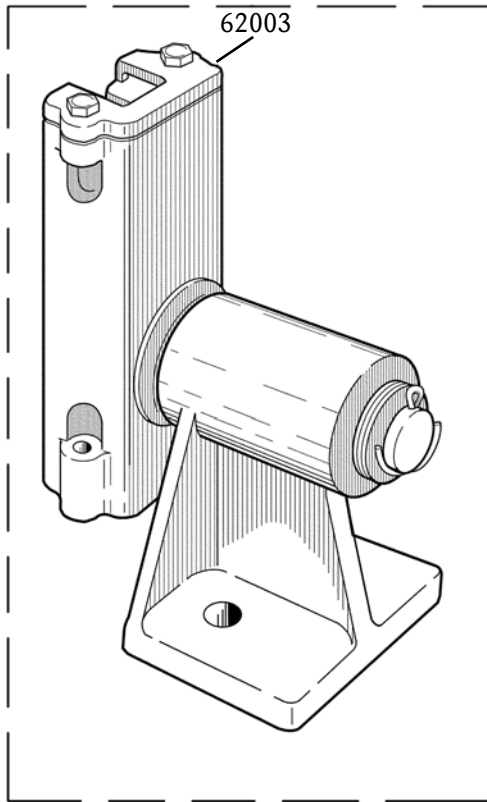
See SPL C-3033

Part Number	Description
66674	Guide Assembly, Counterweight
66675	Guide Shoe Assembly, with Stem
62003	Cap
62068-BZ2	Gib, Bronze, 5.5 in. (140 mm) long
62068-CI20	Gib, Cast Iron, 5.5 in. (140 mm) long
380AP1	Gib, Synthetic, 5.5 in. (140 mm) long
90FC2	Spring

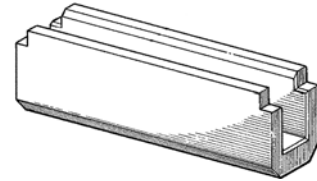


66675

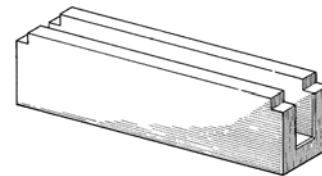
© Otis Elevator, March 2007



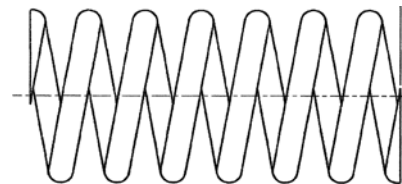
66674



62068-BZ2
62068-CI20



380AP1



90FC2

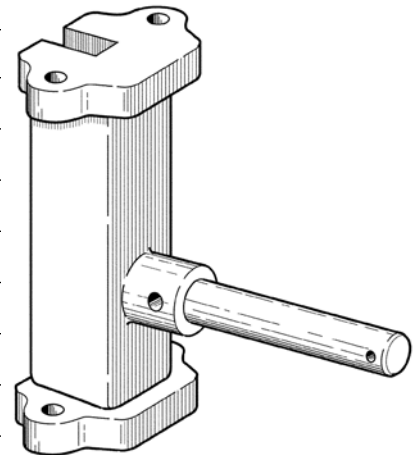


CARFRAME GUIDES

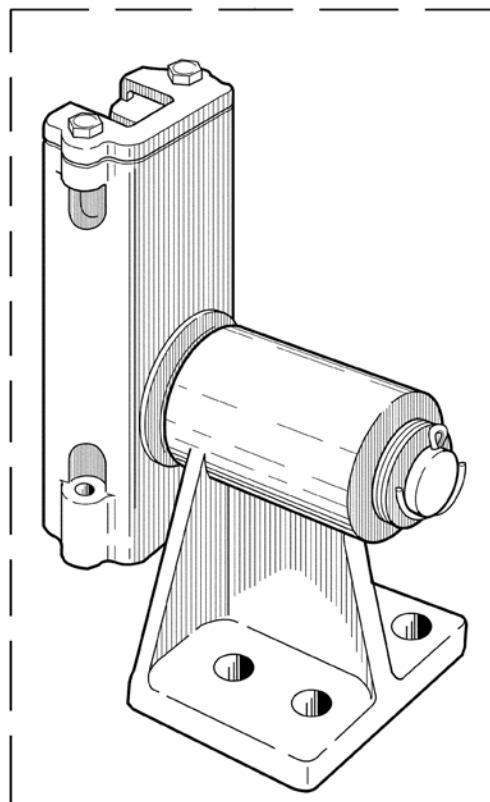
Swivel Counterweight Guides for 6A Wedge-Clamp Counterweight Safeties: 64491

See SPL C-3033

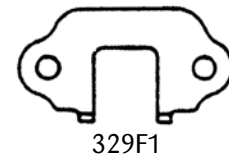
Part Number	Description	Rail Application
64491	Guide Assembly, Swivel	# 1, # 1-1/2
64489	Guide Shoe, Swivel, with Pin	# 1, # 1-1/2
329F1	Cap	
64315	Gib, Bronze, 8.5 in. (216 mm) long	
64376	Gib, Cast Iron, 8.5 in. (216 mm) long	
380AH1	Gib, Plastic, 8.5 in. (216 mm) long	
90SC1	Spring	



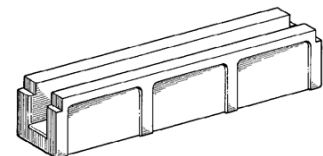
64489



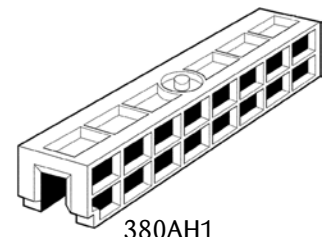
64491



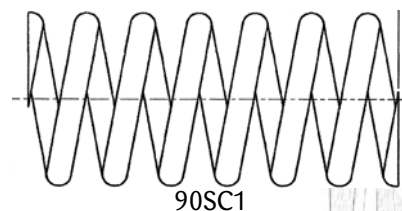
329F1



64315
64376



380AH1



90SC1

North America: (800) 600 - 6847 • Fax (860) 286 - 1605
Elsewhere: (860) 242-3632 • Fax (860) 286 - 1657

Swivel Guides



OTIS



© Otis Elevator, March 2007



North America: (800) 600 - 6847 • Fax (860) 286 - 1605
Elsewhere: (860) 242-3632 • Fax (860) 286 - 1657

CARFRAME GUIDES

©Otis Elevator, March 2007

**North America: (800) 600 - 6847 • Fax (860) 286 - 1605
Elsewhere: (860) 242-3632 • Fax (860) 286 - 1657**



OTIS



© Otis Elevator, March 2007



North America: (800) 600 - 6847 • Fax (860) 286 - 1605
Elsewhere: (860) 242-3632 • Fax (860) 286 - 1657