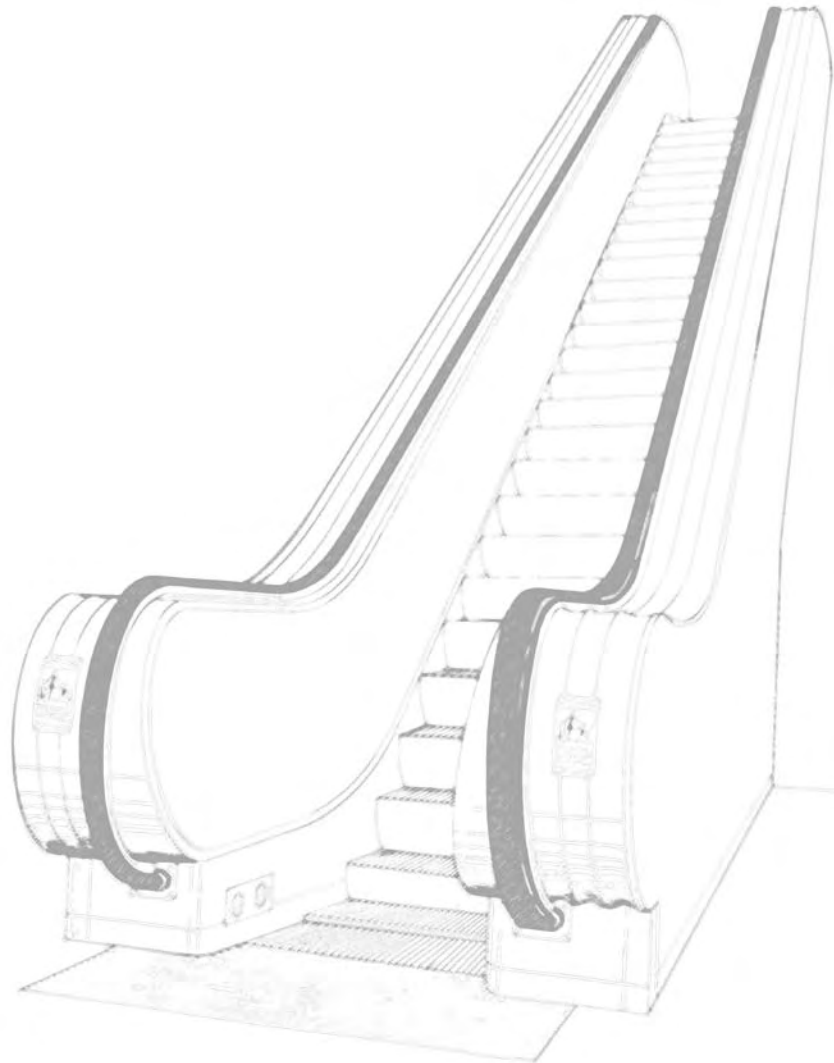


# *ESCALATOR PARTS*

# OTIS®

©Otis Elevator, January 2008



North America: (800) 600 - 6847 • Fax (860) 286 - 1605  
Elsewhere: (860) 242-3632 • Fax (860) 286 - 1657

# OTIS

## Notes About This Catalog

- Wherever escalator types are shown, the standard escalator of that type is assumed unless otherwise specified. For example, “J” means J escalators, whereas “J Escal-Aire®” is used to indicate that specific sub-type.
- Most measurements are provided in both Imperial units (for the United States) and metric units (for Canada, Mexico, etc.). If only one form of a measurement is provided, assume Imperial units (generally inches) unless otherwise stated.
- Most Imperial measurements are rounded to the nearest tenth or hundredth of an inch and most metric measurements are rounded to the nearest millimeter.
- The size of early escalators (Imperial/pre-Metric) is obtained by measuring between the balustrade panels or the glass panels. On Otis units, the step width is 8 inches narrower than the escalator width. For example:
  - A 32 R is 32 inches between the balustrade panels and has 24-inch wide steps.
  - A 40 UB or 40 J escalator is 40 inches between the balustrade panels and has 32-inch wide steps.
  - A 48 R escalator measures 48 inches between the balustrade panels and has 40-inch wide steps.
- Escalators and Trav-O-Lators® designated 1000 mm, 900 mm, 800 mm, and 600 mm have steps or pallets that are exactly that width (there is no need to add 8 inches on these units).
- Many of the pages in this catalog refer to Spare Parts Leaflets (SPLs) and the older C-Leaflets where you can find additional information. You can access these documents electronically through OtisWave or in paper form by calling the OSC Library at (860) 286-6305. To facilitate your search, we’ve also included the component code in which each C-Leaflet is found (for example: c.c. 50).



© Otis Elevator, January 2008



**North America: (800) 600 - 6847 • Fax (860) 286 - 1605**  
**Elsewhere: (860) 242-3632 • Fax (860) 286 - 1657**

# ESCALATOR PARTS

©Otis Elevator, January 2008



Escalators are designated by either a metric measurement, an imperial measurement, or both. This picture shows how those measurements are determined. Note that the imperial measurement (shown top) is from the left balustrade panel to the right balustrade panel. The metric measurement, however, indicates the nominal step width. This explains why the two measurements do not convert properly between systems (why a 48-inch escalator is also called a 1000 mm escalator). To avoid errors, measure the step or pallet width in millimeters and provide that measurement to Customer Service.

**North America: (800) 600 - 6847 • Fax (860) 286 - 1605**  
**Elsewhere: (860) 242-3632 • Fax (860) 286 - 1657**



# OTIS



© Otis Elevator, January 2008



North America: (800) 600 - 6847 • Fax (860) 286 - 1605  
Elsewhere: (860) 242-3632 • Fax (860) 286 - 1657

# ESCALATOR PARTS

## Table of Contents

Notes About This Catalog.....	2
Otis Escalators .....	9
Balustrade Parts .....	9
506 Escal-Aire®, Aluminum Trim.....	9
506 Escal-Aire®, Stainless Steel & Bronze Trim .....	10
Chains .....	11
Countershaft Chains.....	11
Handrail Drive Chains.....	11
Machine to Main Drive Chains .....	12
Main Drive to Handrail Drive Chains .....	13
Offset & Connecting Links.....	14
Combs.....	15
506 & 506 SL Escalators Before 1991.....	15
Die-Cast Aluminum Combs For Steps Without Demarcation Inserts .....	15
Die-Cast Aluminum Combs For Steps With Demarcation Inserts .....	15
506 & 506 NCE Escalators After 1991 .....	16
Die-Cast Aluminum Combs For Steps Without Demarcation Inserts .....	16
Die-Cast Aluminum Combs For Steps With Demarcation Inserts .....	17
510 Escalators Before 1991.....	18
Die-Cast Aluminum Combs For Steps Without Demarcation Inserts .....	18
Die-Cast Aluminum Combs For Steps With Demarcation Inserts .....	18
510, 513NPE, 516 Escalators After February 1991 .....	19
Die-Cast Aluminum Combs For Steps Without Demarcation Inserts .....	19
Die-Cast Aluminum Combs For Steps With Demarcation Inserts .....	19
606 Trav-O-Lators® Before 1985.....	21
Die-Cast Aluminum Combs.....	21
606, 610 Trav-O-Lators® After 1985.....	21
Die-Cast Aluminum Combs For Pallets	
Without Demarcation Inserts .....	21
Die-Cast Aluminum Side Combs For Pallets	
With Demarcation Inserts.....	21
606 NCT, 610 NPT Trav-O-Lators® .....	22
Die-Cast Aluminum Combs For Pallets	
Without Demarcation Inserts .....	22
Die-Cast Aluminum Side Combs For Pallets	
With Demarcation Inserts.....	23
HDA, HDB, HDC, J, and UB Escalators.....	24
O Escalators.....	25
R Escalators .....	27
RB Escalators.....	27
RBC Escalators & Escal-Aires® May 1966–January 1967 .....	28
RBC Escalators & Escal-Aires® After 1967.....	29



# OTIS

## Table of Contents

UBSL Escalators.....	31
Die-Cast Aluminum Combs For Steps Without Demarcation Inserts.....	31
Die-Cast Aluminum Combs For Steps With Demarcation Inserts.....	31
Combs for New York Code Retrofit ONLY.....	33
Comb Plates and Floor Plates.....	33
Comb Plates.....	33
Floor Plates.....	34
506, 506 SL, 510, 606 Escalators.....	34
J Escalators.....	35
O Escalators.....	36
R, RB, RBC Escalators.....	36
Miscellaneous (Hardware, Tools, Etc. for Combs & Floor Plates).....	38
Controller Components.....	40
Circuit Breakers.....	40
Condensers, Fuses, Hour Meters.....	41
Rectifiers.....	41
Relays.....	42
Resistors.....	44
Switches.....	45
Timers.....	45
Transformers.....	46
Varistors.....	46
Parts for Retrofitting Escalators Other Than 506, 510, 606.....	47
Countershafts & Countershaft Components.....	48
Guides.....	50
Handrail Guides.....	50
Miscellaneous Guides.....	58
Miscellaneous Hardware.....	59
Handrail Drive Components.....	60
506 Escalators.....	60
506 NCE Escalators.....	62
510 Escalators and Escal-Aires®.....	66
J Escalators and Escal-Aires®.....	68
R, RB, and RBC Escalators and Escal-Aires®.....	73
UB and UBSL Escalators and Escal-Aires®.....	76
Newel Stand (Idler, Lower End).....	78
Handrail Entry Devices.....	79
Hardware.....	82
Keyswitches, Covers, and Buzzers.....	84
Starting Devices (For New York City Only).....	88



© Otis Elevator, January 2008



**North America: (800) 600 - 6847 • Fax (860) 286 - 1605**  
**Elsewhere: (860) 242-3632 • Fax (860) 286 - 1657**

# ESCALATOR PARTS

## Table of Contents

Lighting—Balustrade, Comb & Under Step.....	98
Machines.....	100
Main Drives.....	107
Auxiliary Brake Parts.....	108
Microswitches and Proximity Switches.....	109
Rollers, Wheels, and Related.....	113
For Handrail.....	113
For Step.....	117
For Step Chain.....	118
Miscellaneous.....	119
Safety Devices.....	120
Broken Step-Chain Safety Device.....	120
Friction Non-Reversal Devices.....	121
Inductors.....	122
Microswitches.....	123
Missing Step Devices.....	124
Skirt Brushes.....	125
Stopped Handrail Devices.....	127
Miscellaneous.....	128
Sprockets, Pulleys, Sheaves, and Discs.....	129
Brake Discs.....	129
For Handrail Drives.....	130
For Newels.....	132
For Main Drives.....	132
For Step Chains.....	134
Machine Output Sprockets.....	135
Miscellaneous.....	136
Step Chains.....	137
Offset Links.....	137
Two-Fold (2-Axle Step Chain Sections).....	139
Ten-Fold (10-Axle Step Chain Sections).....	140
Step Chain Replacement Parts.....	141
Steps.....	143
Unisteps.....	144
Demarcation Inserts.....	146
Risers.....	147
Treads and Pallets.....	148
Miscellaneous (step related).....	152
Track.....	153



# OTIS

## Table of Contents

Haughton Escalators .....	158
Aluminum Combs .....	158
HC 32 .....	158
HC 48 .....	158
Kone Escalators .....	159
Aluminum Combs .....	159
E5000 32 .....	159
E5000 40 .....	159
E5000 48 .....	159
Plastic Combs .....	159
E5000 32, 40, 48 .....	159
Montgomery Escalators .....	160
Combs .....	160
Crystal 2000, E Series (3E, 4E, 5E), HR / TR 32 .....	160
Crystal 2000, E Series (3E, 4E, 5E), HR / TR 40 .....	160
Crystal 2000, E Series (3E, 4E, 5E), HR / TR 48 .....	160
Peelle Escalators .....	160
Aluminum Combs .....	160
ED 32 .....	160
ED 48 .....	160
CD 32 .....	160
CD 48 .....	160
Schindler Escalators .....	162
Aluminum Combs .....	162
SWE, SDS, SWT, SGT, SWU, EWE, EWG, EWH 32, 40, 48 .....	162
RSE, RSH (MOVING WALK) 40, 48 .....	162
9300, 9700 32 .....	162
9300, 9500, 9700 40, 48 .....	162
Westinghouse Escalators .....	163
Combs .....	163
S 24, 36, 48 .....	163
L 32 .....	163
L 48 .....	163
NT 32 .....	164
NT 48 .....	164
N & M Modular 100, 220, 250, and Moduline 200 (Hyundai) 32 .....	164
N & M Modular 100, 220, 250, and Moduline 200 (Hyundai) 48 .....	164



© Otis Elevator, January 2008



**North America: (800) 600 - 6847 • Fax (860) 286 - 1605**  
**Elsewhere: (860) 242-3632 • Fax (860) 286 - 1657**



# ESCALATOR PARTS

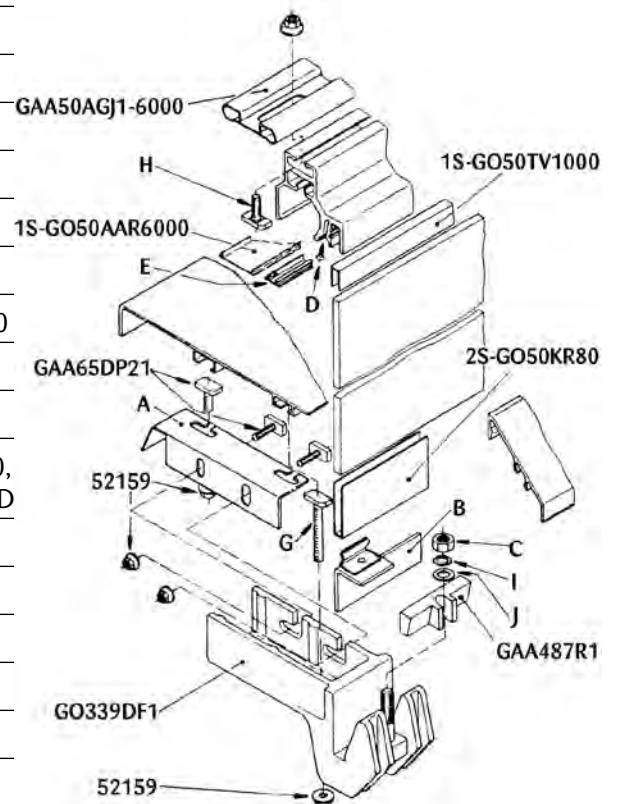
## Otis Escalators

### Balustrade Parts

Refer to SPL 40-9703A

#### 506 Escal-Aire®, Aluminum Trim

Part Number	Description	Reference	SPL
Call to Order	Angle	A	
Call to Order	Angle	B	
GO339DF1	Glass Holder		
Call to Order	Nut, M10, DIN 934	C	
52159	Nut and Washer, M6		
GAA50AGJ1-6000	Profile, Handrail Guide		
Call to Order	Screw, B3, 9x13, DIN 7983	D	
1S-GO50TV1000	Shape		57-UT2180
Call to Order	Shape	E	
1S-GO50AAR6000	Shape		
2S-GO50KR80	Shape	F	57-UT2180, 57-GO434D
GAA65DP21	T-Bolt, M6		
Call to Order	T-Bolt, M6	G	
Call to Order	T-Bolt, with Nut/Washer, M6	H	
Call to Order	Washer, Spring, A10, DIN 127	I	
Call to Order	Washer, A10, 5 DIN 125	J	
GAA487R1	Wedge		



©Otis Elevator, January 2008

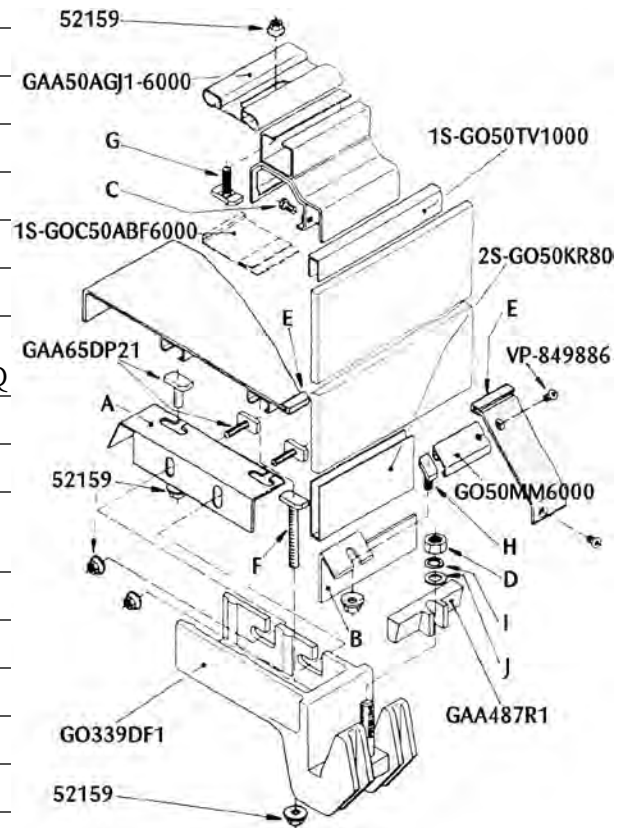
# OTIS

## 506 Escal-Aire®, Stainless Steel & Bronze Trim

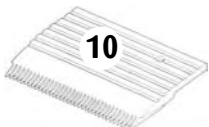
Refer to SPL 40-9703A



Part Number	Description	Reference	SPL
Call to Order	Angle	A	
Call to Order	Angle	B	
Call to Order	Bolt, M6x12, DIN 933	C	
GO339DF1	Glass Holder		57-UT2180
Call to Order	Nut, M10, DIN 934	D	
52159	Nut and Washer, M6		
GO50MM6000	Profile		
VP-849886	Screw, M4x10, DIN 7991, Box of 100		55-AAA26189Q
1S-GO50TV1000	Shape		57-UT2180
1S-GOC50ABF6000	Shape		
2S-GO50KR80	Shape		57-UT2180 57-GO434D
Call to Order	Shape	E	
GAA65DP21	T-Bolt, M6		
Call to Order	T-Bolt, M6	F	
Call to Order	T-Bolt, with Nut/Washer, M6	G	
Call to Order	T-Bolt, with Nut/Washer, M6	H	
Call to Order	Washer, Spring, A10, DIN 127	I	
Call to Order	Washer, A10, 5 DIN 125	J	
GAA487R1	Wedge		



© Otis Elevator, January 2008



10

**Balustrade Parts**

**North America: (800) 600 - 6847 • Fax (860) 286 - 1605**  
**Elsewhere: (860) 242-3632 • Fax (860) 286 - 1657**

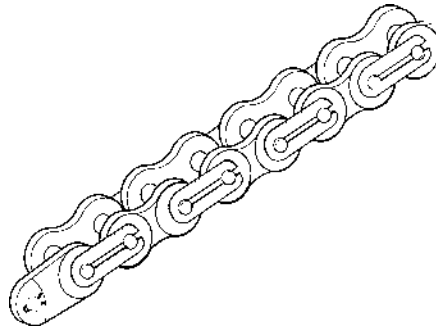
# ESCALATOR PARTS

## Chains

### Countershaft Chains

Refer to SPLs C-1103 and C-1104 (in component code 50)

Part No.	No. of Strands	No. of Links	No. of Connecting Links	Escalator Type	Description	SPL
332AW21	1	135	5	J, J Escal-Aire®, UB, UBSL	Chain, Main Drive to Countershaft	C-1103, C-1104



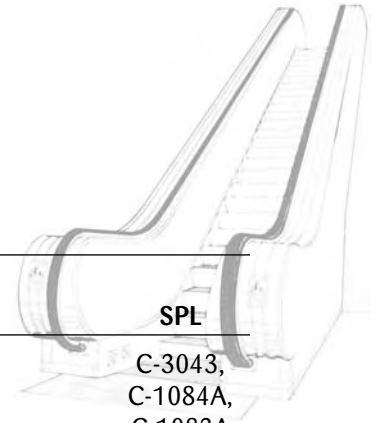
**332AW\_**, Single-Strand Chain for Countershaft and Handrail Drive (see tables)

### Handrail Drive Chains

Part No.	No. of Strands	No. of Links	No. of Connecting Links	Escalator Type	Description	SPL
332AW18	1	196	5	J Escal-Aire®, UB Escal-Aire®	Chain, Handrail Drive	C-1104
332AW12	1	200	3	RBC	Chain, Handrail Drive	C-1087
332AW1	1	227	3	R, RB	Chain, Handrail Drive	C-970F
332AW19	1	230	5	J, UB	Chain, Handrail Drive	C-1103
332AW13	1	296	3	RBC Escal-Aire®	Chain, Handrail Drive	C-1088
GO332C4	1	196	5	UB Escal-Aire	Chain, Countershaft to Handrail Drive, ~12 ft. Long, 3/4 in. Pitch	
BAA332A1	1	205	5	UBSL	Chain, Countershaft to Handrail Drive, ~154 in. Long	54-BAA332

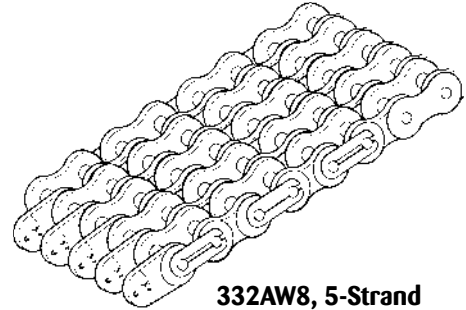
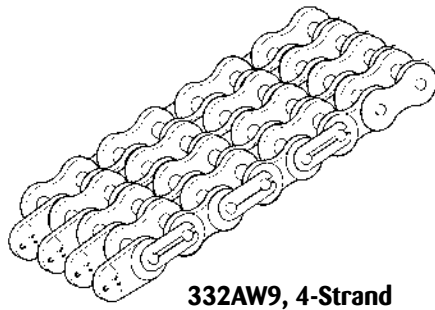
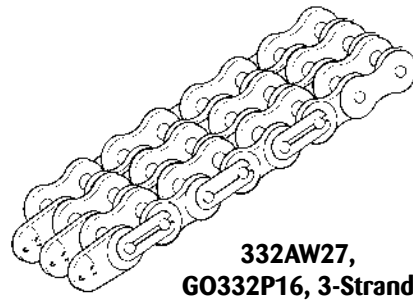
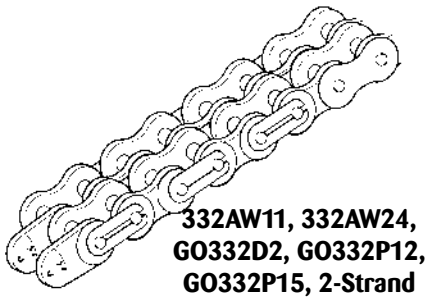
# OTIS

## Machine to Main Drive Chains



Part No.	No. of Strands	No. of Links	No. of Connecting Links	Escalator Type	Description	SPL
332AW23	1	111	3	32 J, RBC	Chain, Main Drive. For 14 VEC, 16 VE, 16 VEG, and 17 VEC machines.	C-3043, C-1084A, C-1083A
332AW10	1	112	3	J, R, RB, RBC	Chain, Main Drive. For 14 VEC, 16 VE, 16 VEG, and 17 VEC machines.	C-970F, C-1084A
GO332P12	2	104		506, 506 SL, 506 NCE, & 606	Chain, Machine to Main Drive For 16 VEC-RH machines	C-1083A, 50-GO332P
332AW11	2	112	3	J, R, RB, RBC	Chain, Main Drive. For 14 VEC, 16 VE, 16 VEG, and 17 VEC machines.	C-970F, C-1084A, C-1083A
GO332P27	2	112		506	Chain, Machine to Main Drive. For EC 143 machines.	50-GO332P
GO332P15	2	121		510	Chain, Machine to Main Drive	50-GO332P
GO332D2	2	123		UB, UBSL	Chain, Machine to Main Drive	54-BAA332A
332AW24	2	178	3	32 J, 48 J, RBC	Chain, Main Drive. For 14 VEC, 16 VE, 16 VEG, and 17 VEC machines.	C-3043, C-1084A, C-1083A
332AW27	3	111	3	J	Chain, Main Drive. For 215 EEC Machines.	C-3043
GO332P16	3	121		510	Chain, Machine to Main Drive	50-GO332P
332AW9	4	178	3	R, RB	Chain, Main Drive	C-970F
332AW8	5	178	3	R, RB	Chain, Main Drive	C-970F

©Otis Elevator, January 2008



### Chains

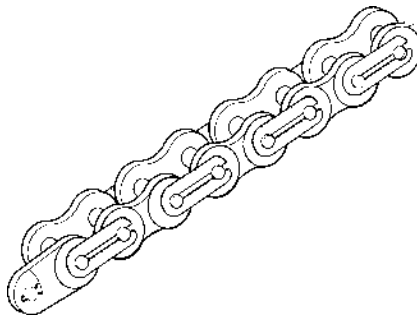
**North America: (800) 600 - 6847 • Fax (860) 286 - 1605  
Elsewhere: (860) 242-3632 • Fax (860) 286 - 1657**

# ESCALATOR PARTS

## Main Drive to Handrail Drive Chains

Refer to SPL 50-GO332P

Part No.	No. of Strands	No. of Links	No. of Connecting Links	Escalator Type	Description
GO332P14	1	153	5	510	Chain, Main Drive to Handrail Drive
GO332P31	1	159		510 (later model)	Chain, Main Drive to Handrail Drive
GO332P18	1	167	4	606	Chain, Main Drive to Handrail Drive
GO332P13	1	179	5	506	Chain, Main Drive to Handrail Drive
GO332P23	1	224	7	510S Escal-Aire®	Chain, Main Drive to Handrail Drive
GO332P19	1	244	7	510M Escal-Aire®	Chain, Main Drive to Handrail Drive
GO332P20	1	274	7	510M Escal-Aire®	Chain, Main Drive to Handrail Drive



GO332P\_, 1-Strand



# OTIS

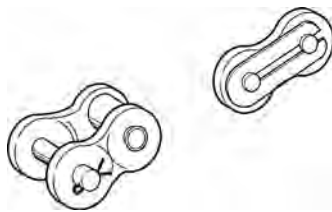


## Offset & Connecting Links

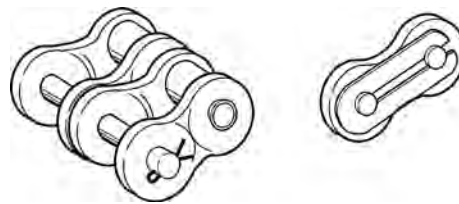
Refer to SPL 50-GO332P

Part No.	Associated Chain	No. of Strands	Escalator Type	Description
332BE2	332AW1, 332AW18, 332AW19			Connecting Link
332BE8	332AW10, 332AW23			Connecting Link
332BE11	332AW11, 332AW24			Connecting Link
332BE5	332AW12, 332AW13, 332AW21			Connecting Link
332BE14	332AW27			Connecting Link
GO2215AS1	GO332P13, GO332P18	1	506 & 606	Connecting & Offset Links
GO2215AS4	GO332P19, GO332P20, GO332P23	1	510	Connecting & Offset Links
GO2215AS2	GO332P12, GO332P27	2	506, 506 SL, 506 NCE, & 606	Connecting & Offset Links
GO2215AS5	GO332P15	2	510	Connecting & Offset Links
GO2215AS6	GO332P16	3	510	Connecting & Offset Links
332BE1	332AW1, 332AW18, 332AW19			Offset Link
332BE7	332AW10, 332AW23			Offset Link
332BE10	332AW11, 332AW24			Offset Link
332BE4	332AW12, 332AW13, 332AW21			Offset Link
332BE13	332AW27			Offset Link

©Otis Elevator, January 2008



**GO2215AS1, GO2215AS4,  
1-Strand Offset & Connecting Links**



**GO2215AS2, GO2215AS5,  
2-Strand Offset & Connecting Links**



14

**Chains**

**North America: (800) 600 - 6847 • Fax (860) 286 - 1605  
Elsewhere: (860) 242-3632 • Fax (860) 286 - 1657**

# ESCALATOR PARTS

## Combs

### 506 & 506 SL Escalators Before 1991

Refer to SPL 56-GO453D

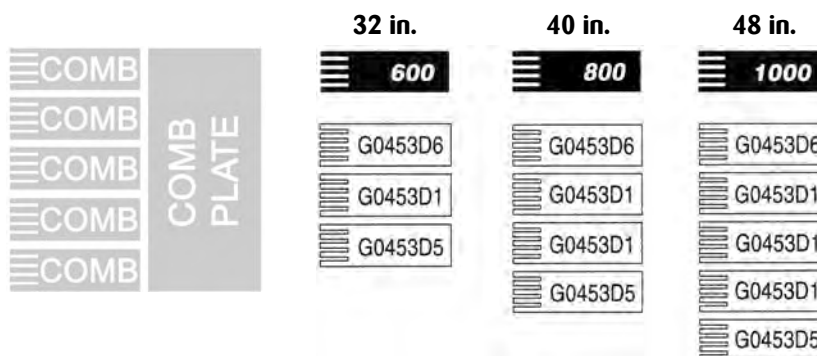
#### Die-Cast Aluminum Combs For Steps Without Demarcation Inserts

Finish	Aluminum	Black Striped	Green Glow (Powder Coated)	Yellow (Powder Coated)
Part Numbers	GO453D6	AAA453AJ220	AAA453AJ120	AAA453AJ20
	GO453D1	AAA453AJ215	AAA453AJ115	AAA453AJ15
	GO453D5	AAA453AJ219	AAA453AJ119	AAA453AJ19

#### Die-Cast Aluminum Combs For Steps With Demarcation Inserts

Finish	Aluminum	Black Striped	Green Glow (Powder Coated)	Yellow (Powder Coated)
Part Numbers	GO453D7	AAA453AJ221	AAA453AJ121	AAA453AJ21
	GO453D3	AAA453AJ217	AAA453AJ117	AAA453AJ17

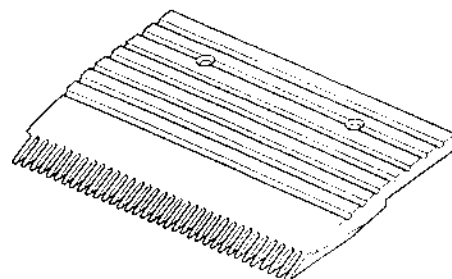
©Otis Elevator, January 2008



*For steps with demarcation inserts only, replace GO453D6 with GO453D7, and replace GO453D5 with GO453D3.*

**Comb Layout Pattern**  
Aluminum 506/506 SL Escalators Before 1991

(see table for corresponding part numbers for other colors)



GO453D1, GO453D5, GO453D6

North America: (800) 600 - 6847 • Fax (860) 286 - 1605  
Elsewhere: (860) 242-3632 • Fax (860) 286 - 1657

**Combs**



# OTIS

## 506 & 506 NCE Escalators After 1991

Refer to SPL 56-GAA453BM

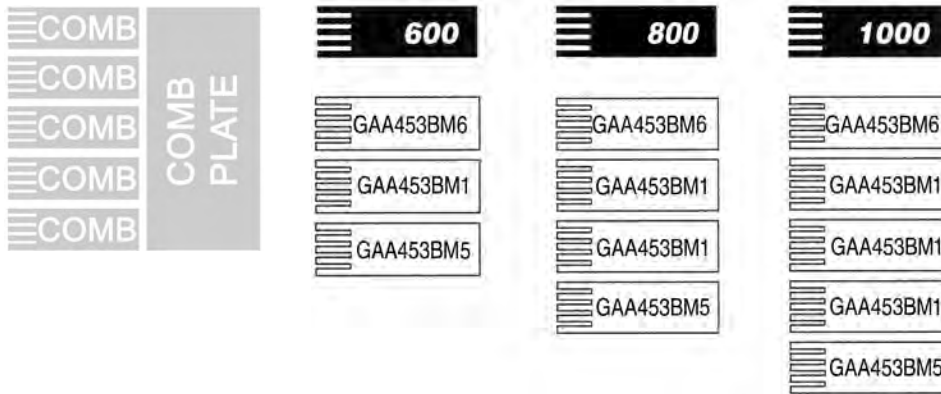


### Die-Cast Aluminum Combs For Steps Without Demarcation Inserts

Finish	Aluminum	Yellow (Powder Coated)	Length	No. of Teeth
Part Numbers	GAA453BM1	AAA453AJ22	8 in.	24
	GAA453BM5	AAA453AJ24	8.1 in.	24
	GAA453BM6	AAA453AJ25	7.8 in.	23

**NOTE:** Yellow PVC combs are no longer available. Order yellow powder-coated combs instead.

© Otis Elevator, January 2008



#### Comb Layout Pattern

Aluminum 506/506 NCE Escalators 1991 Through May 1994  
(see table for corresponding part numbers for other colors)



## Combs

North America: (800) 600 - 6847 • Fax (860) 286 - 1605  
Elsewhere: (860) 242-3632 • Fax (860) 286 - 1657



# ESCALATOR PARTS

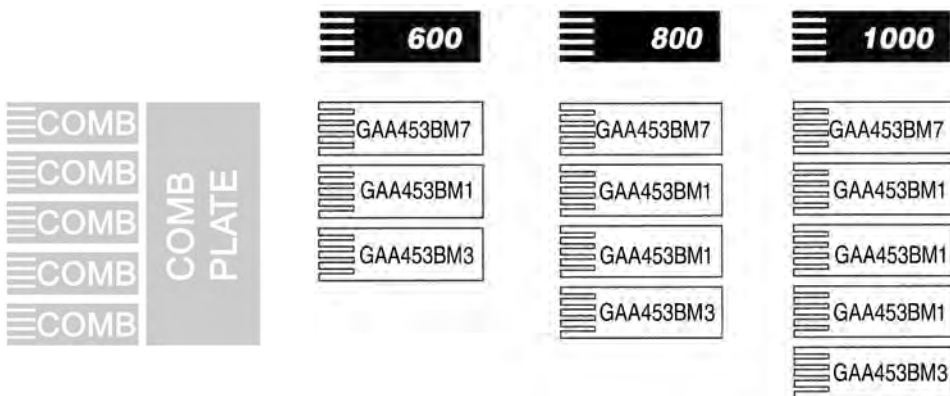
## Die-Cast Aluminum Combs For Steps With Demarcation Inserts

Refer to SPL 56-GAA453BM

Finish	Aluminum	Yellow (Powder Coated)	Length	No. of Teeth
Part Numbers	GAA453BM1	AAA453AJ22	8 in.	24
	GAA453BM3	AAA453AJ23	8.1 in.	24
	GAA453BM7	AAA453AJ26	7.8 in.	23

**NOTE:** Yellow PVC combs are no longer available. Order yellow powder-coated combs instead.

©Otis Elevator, January 2008



### Comb Layout Pattern

Aluminum 506/506 NCE Escalators 1991 Through May 1994

(see table for corresponding part numbers for other colors)

North America: (800) 600 - 6847 • Fax (860) 286 - 1605  
Elsewhere: (860) 242-3632 • Fax (860) 286 - 1657

Combs



# OTIS

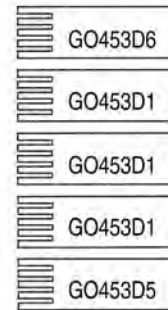
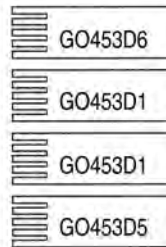
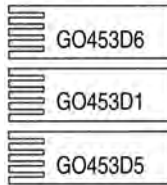


## 510 Escalators Before 1991

Refer to SPL 56-GO353D

### Die-Cast Aluminum Combs For Steps Without Demarcation Inserts

Finish	Aluminum	Black Striped	Green Glow (Powder Coated)	Yellow (Powder Coated)
Part Numbers	GO453D6	AAA453AJ220	AAA453AJ120	AAA453AJ20
	GO453D1	AAA453AJ215	AAA453AJ115	AAA453AJ15
	GO453D5	AAA453AJ219	AAA453AJ119	AAA453AJ19

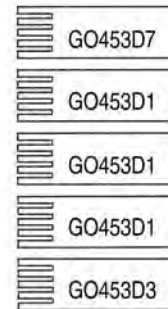
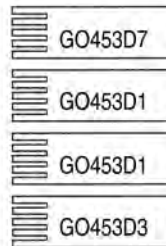
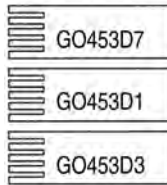


**Comb Layout Pattern**  
**Aluminum 510 Escalators Before February 1991**  
 (see table for corresponding part numbers for other colors)

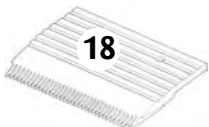
© Otis Elevator, January 2008

### Die-Cast Aluminum Combs For Steps With Demarcation Inserts

Finish	Aluminum	Black Striped	Green Glow (Powder Coated)	Yellow (Powder Coated)
Part Numbers	GO453D7	AAA453AJ221	AAA453AJ121	AAA453AJ21
	GO453D1	AAA453AJ215	AAA453AJ115	AAA453AJ15
	GO453D3	AAA453AJ217	AAA453AJ117	AAA453AJ17



**Comb Layout Pattern**  
**Aluminum 510 Escalators Before February 1991**  
 (see table for corresponding part numbers for other colors)



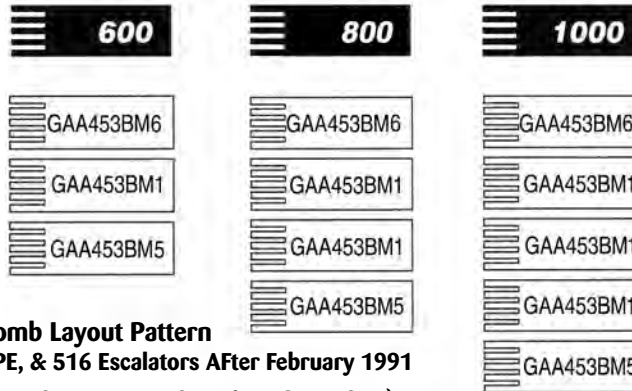
# ESCALATOR PARTS

## 510, 513NPE, 516 Escalators After February 1991

Refer to SPL 56-GAA453BM

### Die-Cast Aluminum Combs For Steps Without Demarcation Inserts

Aluminum Finish P/Ns	Yellow (Powder Coated) Finish P/Ns	Length	No. of Teeth
GAA453BM1	AAA453AJ22	8 in.	24
GAA453BM5	AAA453AJ24	8.1 in.	24
GAA453BM6	AAA453AJ25	7.8 in.	23



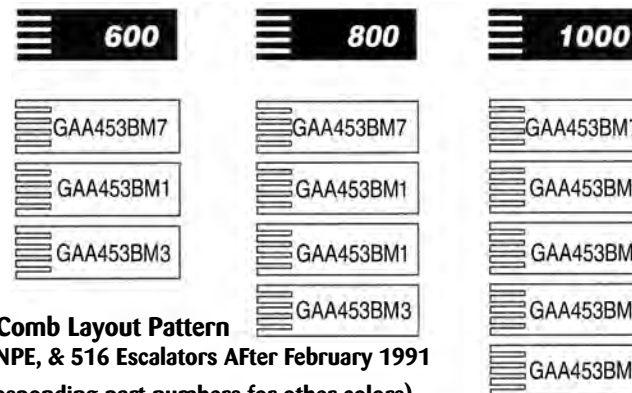
**Comb Layout Pattern**

Aluminum 510, 513NPE, & 516 Escalators After February 1991  
(see table for corresponding part numbers for other colors)

### Die-Cast Aluminum Combs For Steps With Demarcation Inserts

Aluminum Finish P/Ns	Yellow (Powder Coated) Finish P/Ns	Length	No. of Teeth
GAA453BM1	AAA453AJ22	8 in.	24
GAA453BM3	AAA453AJ23	8.1 in.	24
GAA453BM7	AAA453AJ26	7.8 in.	23

**NOTE:** Yellow PVC combs are no longer available. Order yellow powder-coated combs instead.



**Comb Layout Pattern**

Aluminum 510, 513NPE, & 516 Escalators After February 1991  
(see table for corresponding part numbers for other colors)

North America: (800) 600 - 6847 • Fax (860) 286 - 1605  
Elsewhere: (860) 242-3632 • Fax (860) 286 - 1657

**Combs**



# OTIS

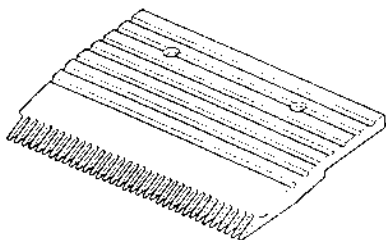
## 606 Trav-O-Lators® Before 1985

Refer to SPLs 56-UT2140 and 56-UT2141



### Die-Cast Aluminum Combs

Aluminum Finish P/Ns	Yellow (Powder Coated) Finish P/Ns	Length	No. of Teeth
GO453D1	AAA453AJ15	8 in.	24
GO453D2	AAA453AJ16	7.7 in.	23



**GO453D1, GO453D2**

© Otis Elevator, January 2008



**Combs**

**North America: (800) 600 - 6847 • Fax (860) 286 - 1605  
Elsewhere: (860) 242-3632 • Fax (860) 286 - 1657**

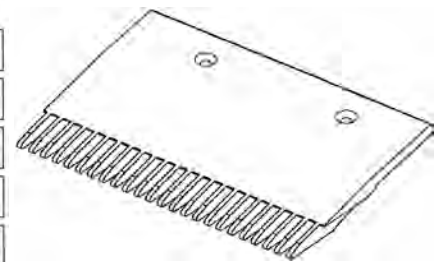
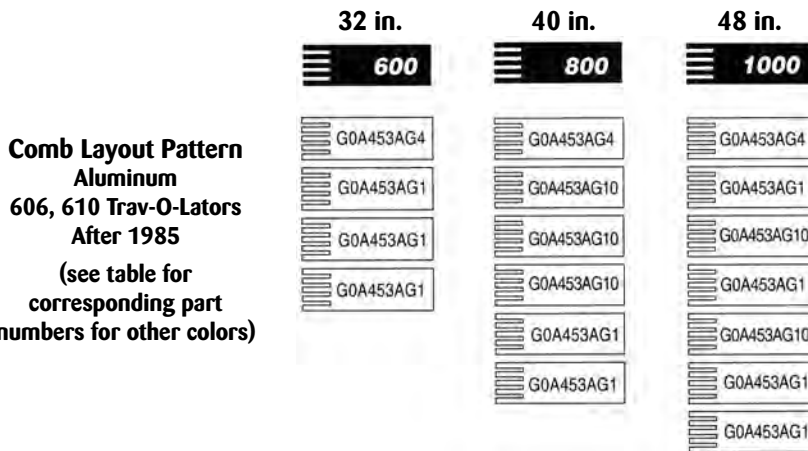
# ESCALATOR PARTS

## 606, 610 Trav-O-Lators® After 1985

Refer to SPLs 56-UT2140 and 56-UT2141

### Die-Cast Aluminum Combs For Pallets Without Demarcation Inserts

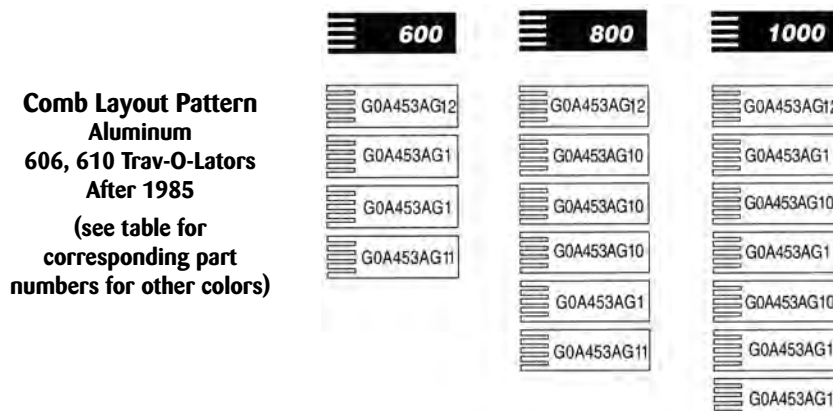
Aluminum Finish P/Ns	Yellow (Powder Coated) Finish P/Ns	Length	No. of Teeth
GOA453AG1	AAA453AJ27	6 in.	18
GOA453AG4	AAA453AJ28	5.75 in.	17
GOA453AG10	AAA453AJ29	5 in.	15



**GOA453AG1,  
GOA453AG4,  
GOA453AG10**

### Die-Cast Aluminum Side Combs For Pallets With Demarcation Inserts

Aluminum Finish P/Ns	Yellow (Powder Coated) Finish P/Ns	Length	No. of Teeth
GOA453AG1	AAA453AJ27	6 in.	18
GOA453AG11	AAA453AJ30	6 in.	18
GOA453AG12	AAA453AJ31	5.75 in.	17



**North America: (800) 600 - 6847 • Fax (860) 286 - 1605  
Elsewhere: (860) 242-3632 • Fax (860) 286 - 1657**

**Combs**



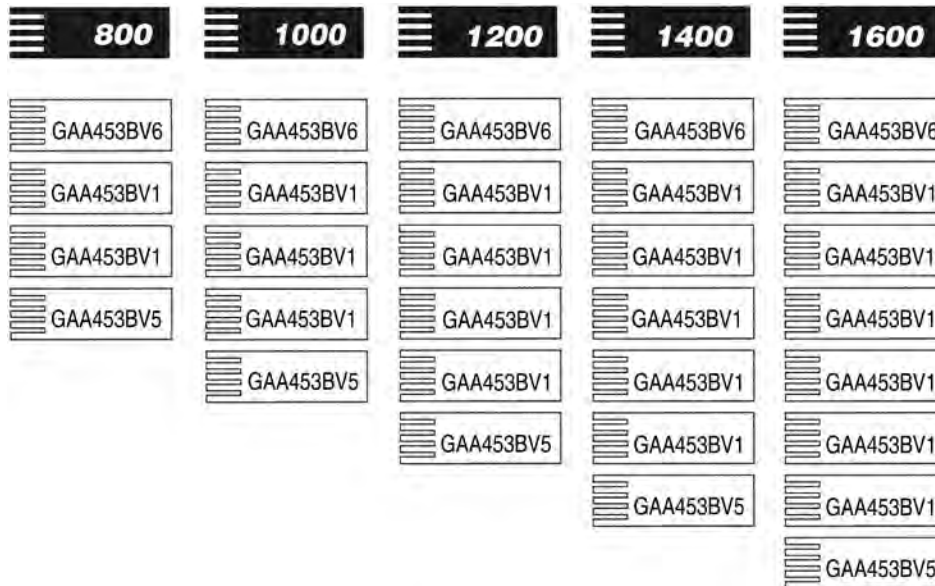
# OTIS

## 606 NCT, 610 NPT Trav-O-Lators®

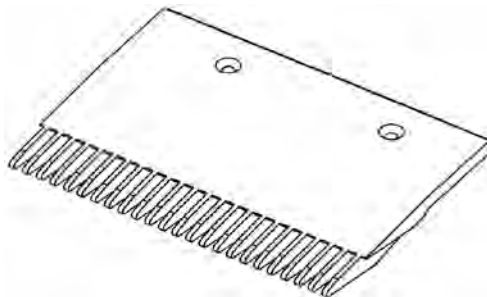
Refer to SPL 56-GAA453BV

### Extruded Aluminum Combs For Pallets Without Demarcation Inserts

Aluminum Finish P/Ns	Length	No. of Teeth
GAA453BV1	8 in.	24
GAA453BV5	8.125 in.	24
GAA453BV6	7.8 in.	23



**Comb Layout Pattern**  
Aluminum 606 NCT and  
610 NPT Trav-O-Lators  
(see table for  
corresponding part  
numbers for other colors)



GAA453BV1, GAA453BV5, GAA453BV6



### Combs

North America: (800) 600 - 6847 • Fax (860) 286 - 1605  
Elsewhere: (860) 242-3632 • Fax (860) 286 - 1657

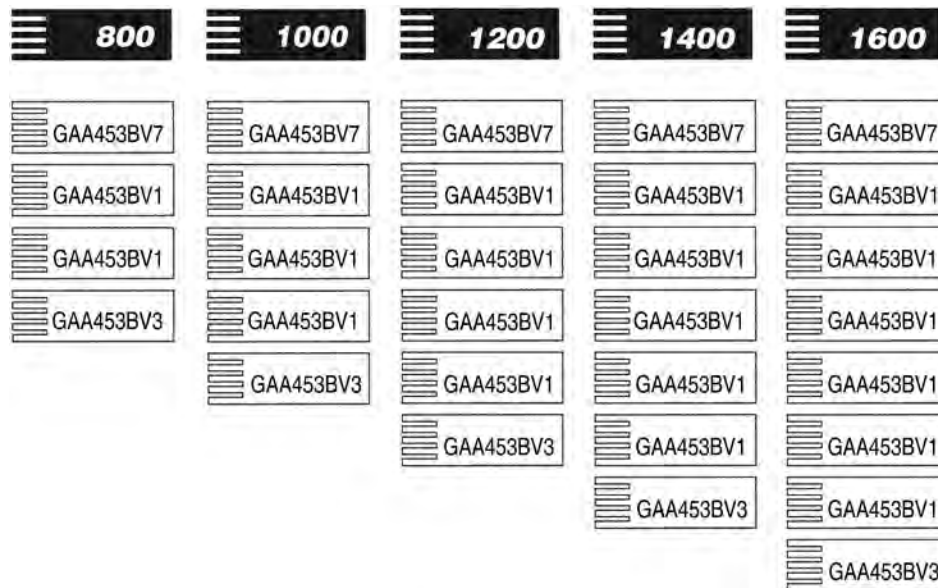
# ESCALATOR PARTS

## Extruded Aluminum Side Combs For Pallets With Demarcation Inserts

Refer to SPL 56-GAA453BV

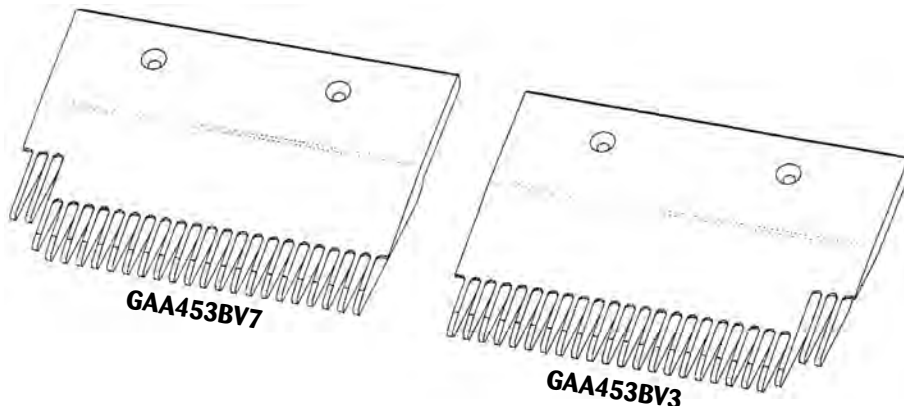
Aluminum Finish P/Ns	Length	No. of Teeth
GAA453BV1	8 in.	24
GAA453BV3	8.125 in.	24
GAA453BV7	7.8 in.	23

©Otis Elevator, January 2008



**Comb Layout Pattern  
Aluminum 606 NCT and  
610 NPT Trav-O-Lators**

(see table for  
corresponding part  
numbers for other colors)



North America: (800) 600 - 6847 • Fax (860) 286 - 1605  
Elsewhere: (860) 242-3632 • Fax (860) 286 - 1657

**Combs**



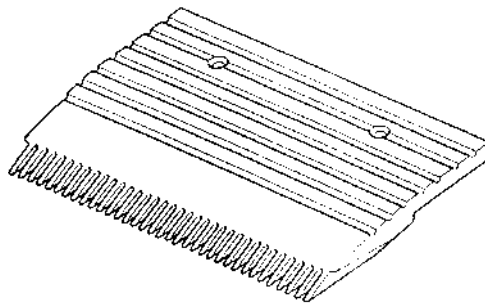
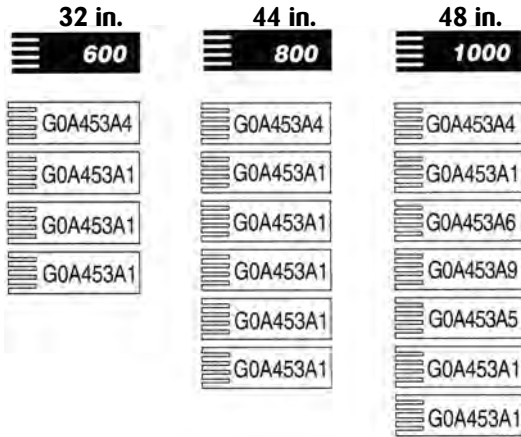
# OTIS

## HDA, HDB, HDC, J, and UB Escalators

Refer to SPLs 56-G0A453A and C-1106



Aluminum Finish P/Ns	Yellow (Powder Coated) Finish P/Ns	Length	No. of Teeth
GOA453A1	AAA453AJ1	6 in.	18
GOA453A4	AAA453AJ2	5.75 in.	17
GOA453A5	AAA453AJ3	5.4 in.	16
GOA453A6	AAA453AJ5	5.6 in.	17
GOA453A9	AAA453AJ4	5 in.	15



GOA453A\_



### Combs

North America: (800) 600 - 6847 • Fax (860) 286 - 1605  
Elsewhere: (860) 242-3632 • Fax (860) 286 - 1657

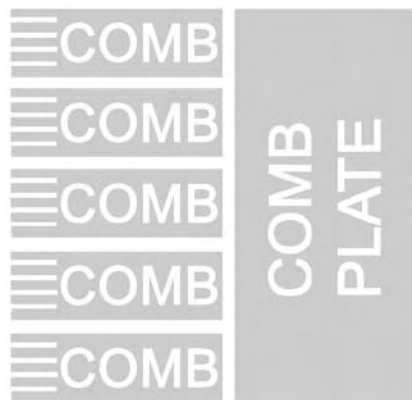
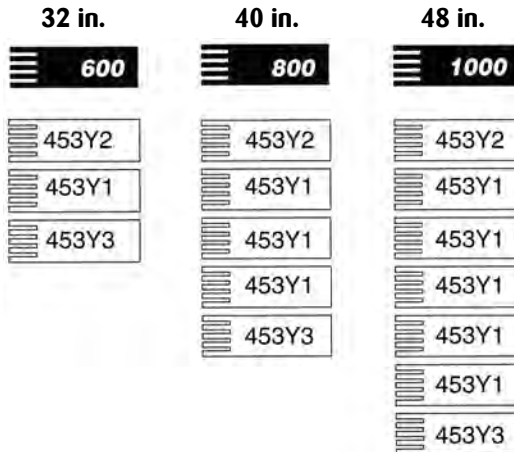


# ESCALATOR PARTS

## O Escalators

Refer to SPL C-966

Black Finish P/Ns	Yellow (Powder Coated) Finish P/Ns	Length	No. of Teeth
453Y2	AAA453AJ7	5.5 in.	16
453Y3	AAA453AJ8	5.7 in.	17
453Y1	AAA453AJ6	6 in.	18



©Otis Elevator, January 2008

North America: (800) 600 - 6847 • Fax (860) 286 - 1605  
 Elsewhere: (860) 242-3632 • Fax (860) 286 - 1657

Combs



# OTIS

## R Escalators

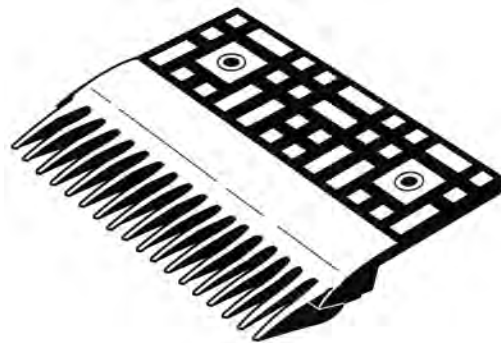
Refer to SPL C-970F (in component code 50)

Black Finish P/Ns	Yellow (Powder Coated) Finish P/Ns	Material	Length	No. of Teeth
453Y9	AAA453AJ14	Die-Cast Aluminum	5 in.	15
453Y5	AAA453AJ10	Die-Cast Aluminum	5.4 in.	16
453Y6	AAA453AJ11	Die-Cast Aluminum	5.6 in.	16
453Y4	AAA453AJ9	Die-Cast Aluminum	5.75 in.	17
453Y1	AAA453AJ6	Die-Cast Aluminum	6 in.	18



### Aluminum

32 in.	48 in.
<b>600</b>	<b>1000</b>
453Y4	453Y4
453Y1	453Y1
453Y1	453Y6
453Y1	453Y9
	453Y5
	453Y1
	453Y1



453Y1, 453Y4, 453Y5, 453Y6, 453Y9

© Otis Elevator, January 2008



## Combs

North America: (800) 600 - 6847 • Fax (860) 286 - 1605  
Elsewhere: (860) 242-3632 • Fax (860) 286 - 1657



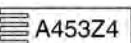
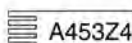
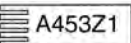
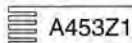
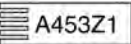
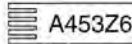
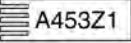
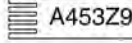
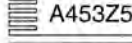
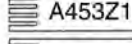
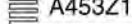
# ESCALATOR PARTS

## RB Escalators

Refer to SPL C-970F (in component code 50)

Black Finish P/Ns	Yellow (Powder Coated) Finish P/Ns	Material	Length
A453Z9	A453Z9-YELLOW	Lexan	5 in.
A453Z5	A453Z5-YELLOW	Lexan	5.4 in.
A453Z6	A453Z6-YELLOW	Lexan	5.6 in.
A453Z4	A453Z4-YELLOW	Lexan	5.7 in.
A453Z1	A453Z1-YELLOW	Lexan	6 in.

### Lexan

32 in.	48 in.
 <b>600</b>	 <b>1000</b>
 A453Z4	 A453Z4
 A453Z1	 A453Z1
 A453Z1	 A453Z6
 A453Z1	 A453Z9
	 A453Z5
	 A453Z1
	 A453Z1



# OTIS

## RBC Escalators & Escal-Aires® May 1966–January 1967

Refer to SPL C-1091 (in component code 50)



Black Finish P/Ns	Yellow (Powder Coated) Finish P/Ns	Material	Length
A453Z9	A453Z9-YELLOW	Lexan	5 in.
A453Z5	A453Z5-YELLOW	Lexan	5.4 in.
A453Z6	A453Z6-YELLOW	Lexan	5.6 in.
A453Z11	A453Z11-YELLOW	Lexan	5.7 in.
A453Z4	A453Z4-YELLOW	Lexan	5.7 in.
A453Z1	A453Z1-YELLOW	Lexan	6 in.
A453Z10	A453Z10-YELLOW	Lexan	6 in.

32 in.





48 in.



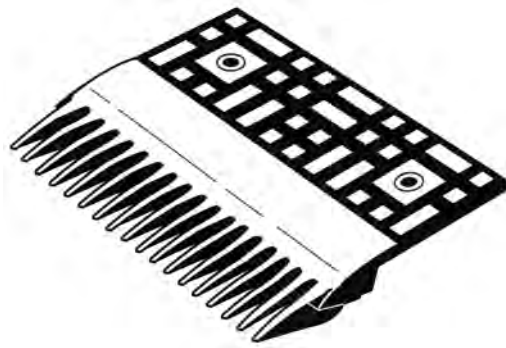
600



1000

-  A453Z4
-  A453Z1
-  A453Z1
-  A453Z1

-  A453Z4
-  A453Z1
-  A453Z6
-  A453Z9
-  A453Z5
-  A453Z1
-  A453Z1



28

**Combs**

North America: (800) 600 - 6847 • Fax (860) 286 - 1605  
Elsewhere: (860) 242-3632 • Fax (860) 286 - 1657

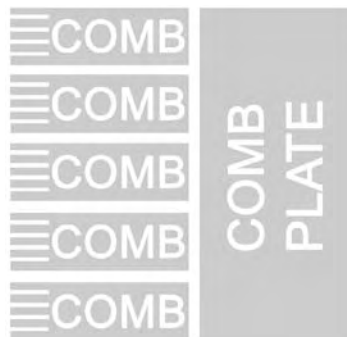
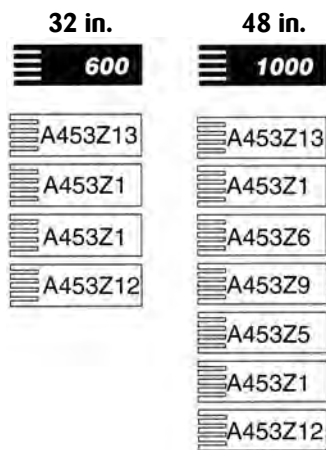
# ESCALATOR PARTS

## RBC Escalators & Escal-Aires® After 1967

Refer to SPL C-1091 (in component code 50)

Black Finish P/Ns	Yellow (Powder Coated) Finish P/Ns	Material	Length
A453Z9	A453Z9-YELLOW	Lexan	5 in.
A453Z5	A453Z5-YELLOW	Lexan	5.4 in.
A453Z6	A453Z6-YELLOW	Lexan	5.6 in.
A453Z4	A453Z4-YELLOW	Lexan	5.7 in.
A453Z13	A453Z13-YELLOW	Lexan	5.9 in.
A453Z1	A453Z1-YELLOW	Lexan	6 in.
A453Z12	A453Z12-YELLOW	Lexan	6.1 in.

©Otis Elevator, January 2008



North America: (800) 600 - 6847 • Fax (860) 286 - 1605  
Elsewhere: (860) 242-3632 • Fax (860) 286 - 1657

Combs



# OTIS

## UBSL Escalators

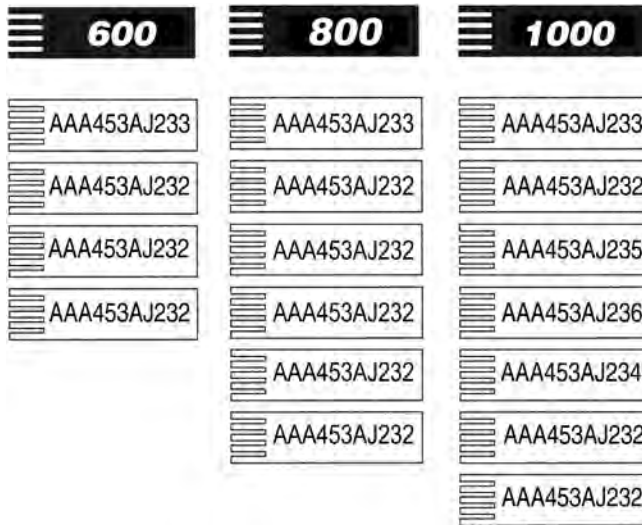
### Die-Cast Aluminum Combs For Steps Without Demarcation Inserts

Refer to SPLs 56-BAA26220AL and 56-BAA26220AM



Black Stripes Finish P/Ns	Yellow (Powder Coated) Finish P/Ns	Length	No. of Teeth
AAA453AJ233	AAA453AJ33	5.75 in.	18
AAA453AJ232	AAA453AJ32	6 in.	18
AAA453AJ235	AAA453AJ35	5.6 in.	18
AAA453AJ236	AAA453AJ36	5 in.	18
AAA453AJ234	AAA453AJ34	5.4 in.	18

© Otis Elevator, January 2008



**Black-Striped Combs Shown**

**(For Yellow, See Table Above and Use Corresponding Part Numbers)**



## Combs

**North America: (800) 600 - 6847 • Fax (860) 286 - 1605  
Elsewhere: (860) 242-3632 • Fax (860) 286 - 1657**

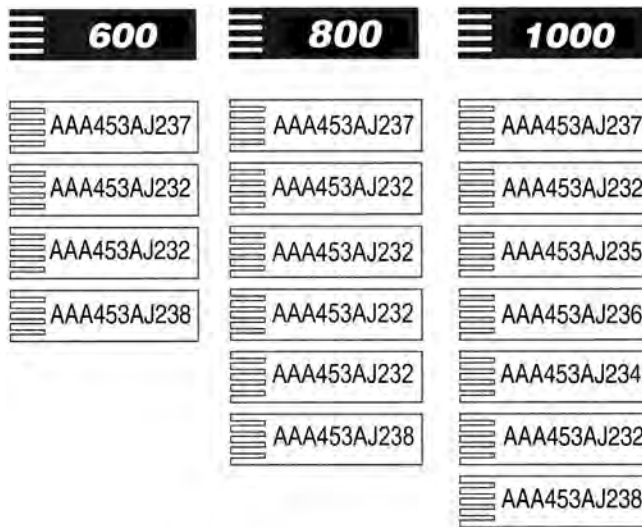
# ESCALATOR PARTS

## Die-Cast Aluminum Combs For Steps With Demarcation Inserts

Refer to SPLs 56-BAA26220AL and 56-BAA26220AM

Black Stripes Finish P/Ns	Yellow (Powder Coated) Finish P/Ns	Length	No. of Teeth
AAA453AJ232	AAA453AJ32	6 in.	18
AAA453AJ234	AAA453AJ34	5.4 in.	18
AAA453AJ235	AAA453AJ35	5.6 in.	18
AAA453AJ236	AAA453AJ36	5 in.	18
AAA453AJ237	AAA453AJ37	5.75 in.	18
AAA453AJ238	AAA453AJ38	6 in.	18

©Otis Elevator, January 2008



**Black-Striped Combs Shown**

**(For Yellow, See Table Above and Use Corresponding Part Numbers)**

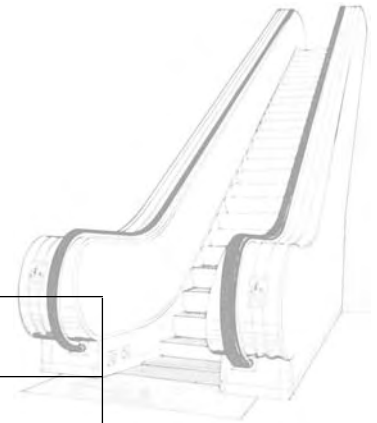
North America: (800) 600 - 6847 • Fax (860) 286 - 1605  
Elsewhere: (860) 242-3632 • Fax (860) 286 - 1657

**Combs**



31

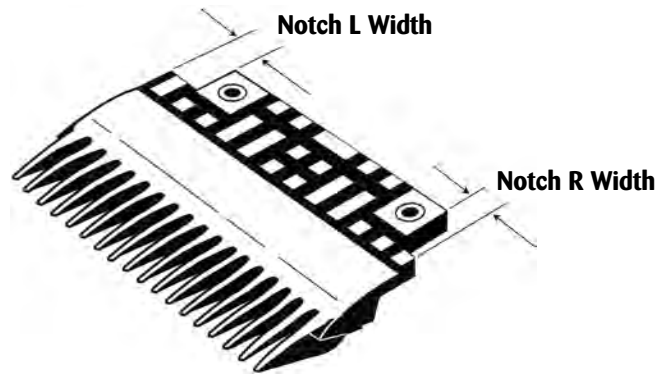
# OTIS



## Combs for New York Code Retrofit ONLY

Part No.	Escalator Type	Comb Width	Description	Notch
AAA453AF1	32 & 48 R	6 in.	Comb, Modified, NYC CODE	None
AAA453AF2	32 & 48 R		Comb, Modified, NYC CODE	Notch R, approx. 1/2 in. wide
AAA453AF4	32 & 48 R		Comb, Modified, NYC CODE	Notch L, approx. 1/2 in. wide
AAA453AF8	32 & 48 RBC		Comb, Modified, NYC CODE	Notch L, approx. 5/8 in. wide
AAA453AF9	32 & 48 RBC		Comb, Modified, NYC CODE	Notch R, approx. 5/8 in. wide
AAA453AF5	48 R	5.4 in.	Comb, Modified, NYC CODE	None
AAA453AF6	48 R	5.6 in.	Comb, Modified, NYC CODE	None
AAA453AF7	48 R	5 in.	Comb, Modified, NYC CODE	None

© Otis Elevator, January 2008



**New York Retrofit Comb,  
Showing Both Possible Notches  
(see table to determine part numbers for combs with  
Notch R, Notch L, or without notch)**



**Combs**

**North America: (800) 600 - 6847 • Fax (860) 286 - 1605  
Elsewhere: (860) 242-3632 • Fax (860) 286 - 1657**



# ESCALATOR PARTS

## Comb Plates and Floor Plates

### Comb Plates

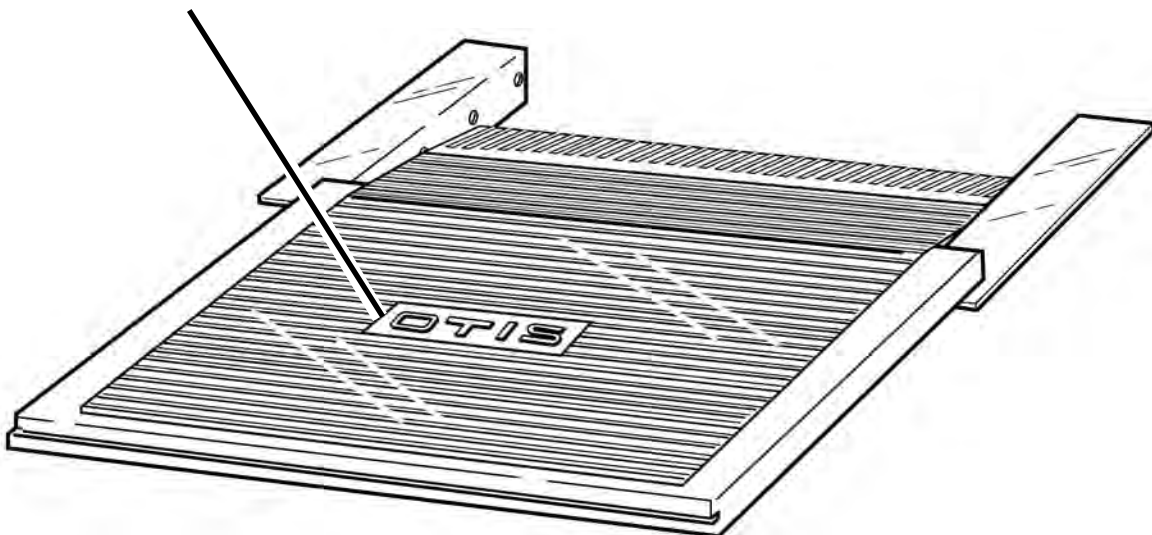
Refer to SPL C-1106 (in component code 56)

Part No.	Escalator Type	Description
GO453C1	32 J, UB	Comb Plate, without Combs
GO453C2	44 J, UB	Comb Plate, without Combs
GO453C3	48 J, UB	Comb Plate, without Combs
A453W1-NS	ML	Comb Plate
A453W2-NS	ML	Comb Plate

**NOTE:** Call for information on comb plates for 506 NCE, 513 NPE, 606 NCT, and 610 NPT.

©Otis Elevator, January 2008

See "Miscellaneous" (pages 38–39) for Otis Emblems



GO453C1  
GO453C2  
GO453C3

North America: (800) 600 - 6847 • Fax (860) 286 - 1605  
Elsewhere: (860) 242-3632 • Fax (860) 286 - 1657

Comb Plates/Floor Plates

33



# OTIS

## Floor Plates

### 506, 506 SL, 510, 606 Escalators

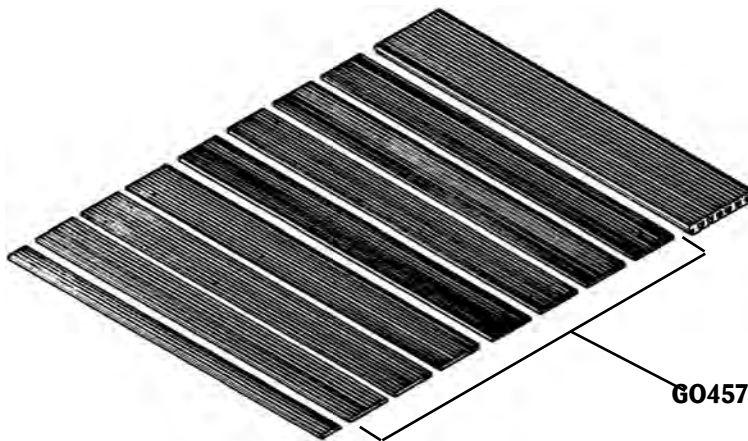
Refer to SPLs 56-9704KA, 56-9704KB, 56-9704BD, and 56-9704BE

Part No.	Length	Width	Escalator Type	Description
GO2215W42	---	---	506, 510	Blind Rivet Fastening Kit, Used for Fastening Floor Plates
GO50VW1-48-1/4	48.25 in. (1226)	9.5 in. (241,3 mm)	506, 506 SL, 510, 606	Extrusion, Plain, Floorplate, 1.2 in. Thick.
GO50VX-64-1/4	64.25 in. (1631 mm)	5.28 in. (134,2 mm)	506, 506 SL, 510, 606	Floor Plate Covering, 0.25 in. Thick, Plain Unpainted Aluminum
GO457CL115	65.8 in. (1671 mm)	5.28 in. (134,2 mm)	506, 506 SL, 510, 606	Floor Plate, 0.25 in. Thick, with Black Finish
GO457CN7	64.37 in. (1635 mm)	9 in. (228,6 mm)	506, 506 SL, 510, 606	Floor Plate, 1.2 in. Thick, with Black Finish
GO457CL12	61.38 in. (1559 mm)	5.28 in. (134,2 mm)	506, 606	Floor Plate, with Black Finish, Type 1000
GO457CL25	64.37 in. (1635 mm)	5.28 in. (134,2 mm)	510	Floor Plate, with Black Finish, Type 1000

**NOTE:** Call for information on floor plates for 506 NCE, 513 NPE, 606 NCT, and 610 NPT.



© Otis Elevator, January 2008



GO457CL12, GO457CL25, or GO457CL115

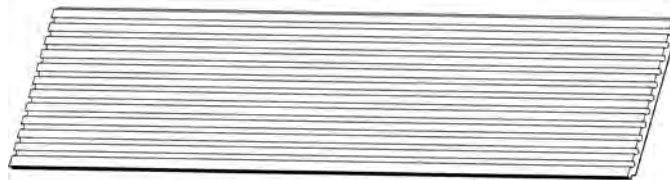


# ESCALATOR PARTS

## J Escalators

Refer to SPL C-1106 (in component code 56)

Part No.	Length	Width	Escalator Width	Description
GOA457BK4	---	---	32 in.	Floor Plate Assembly (Complete), Lower Landing
GOA457BH1	---	---	32 in.	Floor Plate Assembly (Complete), Aluminum, Upper Landing
GOA457BK6	---	---	48 in.	Floor Plate Assembly (Complete), Aluminum Coating, Lower Landing
GOA457BH3	---	---	48 in.	Floor Plate Assembly (Complete), Aluminum, with Black Finish, Upper Landing
457BY9	63.74 in. (1618 mm)	5.26 in. (133,6 mm)	48 in.	Floor Plate (uses GO50VX shape), with Two 7/8 in. Lifter Holes and Eight Floor Plate Studs
457BY7	63.74 in. (1618 mm)	5.26 in. (133,6 mm)	48 in.	Floor Plate, without Lifter Holes. Includes 8 floor plate studs.
YXGOA50VW-64	64 in. (1626 mm)	9 in. (228,6 mm)		Floor Plate Shape, Aluminum, 9 in. Wide, ~1-3/16 in. Thick



457BY7 (shown)  
457BY9



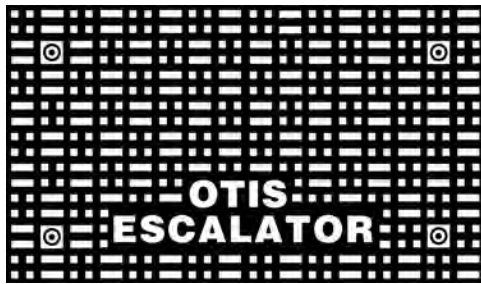
# OTIS



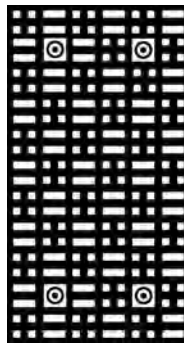
## O Escalators

Refer to SPL C-966 (in component code 50)

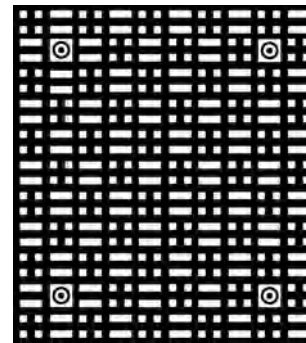
Part No.	Length	Width	Thickness	Description
A457Z4	17 in. (431,8 mm)	11 in. (279,4 mm)	0.25 in. (6,35 mm)	Floor Plate, Aluminum, with Black Finish, OTIS ESCALATOR Appears in Raised Letters
457AA4	23 in. (584,2 mm)	12 in. (304,8 mm)	0.38 in. (9,65 in.)	Floor Plate, Landing, Aluminum, with Black Finish
457AA3	23 in. (584,2 mm)	18 in. (457,2 mm)	0.38 in. (9,65 in.)	Floor Plate, Landing, Aluminum, with Black Finish
A457T5	11 in. (279,4 mm)	12 in. (304,8 mm)	---	Floor Plate, Aluminum. Goes next to combs.
A457T6	11 in. (279,4 mm)	6 in. (152,4 mm)	---	Floor Plate, Aluminum. Goes next to combs.



A457Z4



457AA4



457AA3

## R, RB, RBC Escalators

Refer to SPL C-1091 (in component code 50)

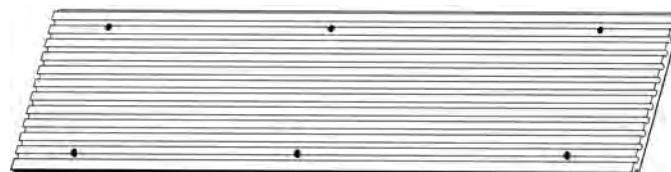
Part No.	Length	Width	Thickness	Escalator Type	Description
457BP1	24 in. (609,6 mm)	6 in. (152,4 mm)	0.25 in. (6,35 mm)	RBC	Floor Plate, Aluminum, with Black Finish
457BP2	24 in. (609,6 mm)	6 in. (152,4 mm)	0.25 in. (6,35 mm)	RBC	Floor Plate, Aluminum, with Black Finish, with Cutout in Center
457AH1	37 in. (939,8 mm)	17.03 in. (432,56 mm)	0.47 in. (11,94 mm)	32 R, RB, RBC	Floor Plate, Aluminum, with Black Finish
457AJ2	37 in. (939,8 mm)	24.19 in. (614,43 mm)	0.66 in. (16,76 mm)	32 R, RB, RBC	Floor Plate, Aluminum, with Black Finish, Assembled with Screws
457BP-144	40 in. (1016 mm)	6 in. (152,4 mm)	0.25 in. (6,35 mm)	RBC	Floor Plate, Extruded Aluminum, Black Finish
457BP3	40 in. (1016 mm)	6 in. (152,4 mm)	0.25 in. (6,35 mm)	RBC	Floor Plate, Aluminum, with Black Finish



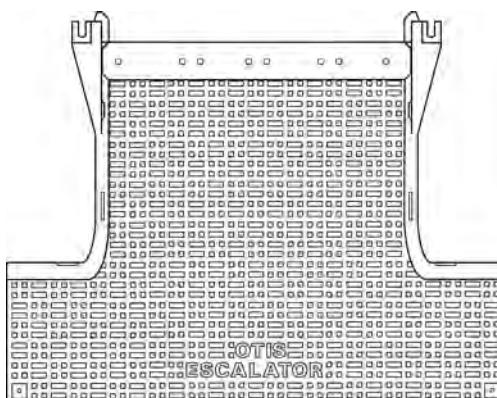
# ESCALATOR PARTS

## R, RB, RBC Escalators (continued)

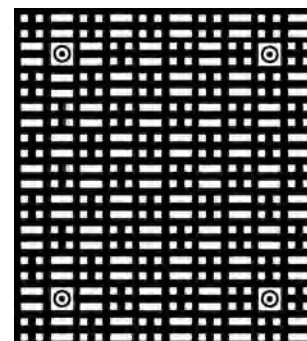
Part No.	Length	Width	Thickness	Escalator Type	Description
457BP4	40 in. (1016 mm)	6 in. (152,4 mm)	0.25 in. (6,35 mm)	RBC	Floor Plate, Aluminum, with Black Finish, with Cutout in Center
457BR1	51.56 in. (1309,62 mm)	8.1 in. (205,74 mm)	1.16 in. (29,46 mm)	RBC	Floor Plate, Aluminum, with Black Finish, without Holes
457BR1-SV	52.1 in. (1323,34 mm)	8.1 in. (205,74 mm)	1.16 in. (29,46 mm)	RBC	Floor Plate, Aluminum, with Black Finish, without Holes. Cut to suit.
457BR2	51.56 in. (1309,62 mm)	8.1 in. (205,74 mm)	1.16 in. (29,46 mm)	RBC	Floor Plate, Aluminum, with Black Finish, with 2 Holes Nearest Tongue Edge
457BR3	51.56 in. (1309,62 mm)	8.1 in. (205,74 mm)	1.16 in. (29,46 mm)	RBC	Floor Plate, Aluminum, with Black Finish, with 2 Holes Nearest Groove Edge
457AL1	53 in. (1346,2 mm)	17.03 in. (432,56 mm)	0.47 in. (11,94 mm)	48, R, RB, RBC	Floor Plate, Aluminum, with Black Finish
457BL2	53 in. (1346,2 mm)	21.96 in. (557,78 mm)	---	48 RBC	Floor Plate, Aluminum
457AM2	53 in. (1346,2 mm)	24.19 in. (614,43 mm)	0.66 in. (16,76 mm)	48 R, RB, RBC	Floor Plate, Aluminum, with Black Finish, Assembled with Screws
457BR4-SV	68.1 in. (1729,74 mm)	8.1 in. (205,74 mm)	1.16 in. (29,46 mm)	RBC	Floor Plate, Aluminum, with Black Finish, without Holes. Cut to suit.



457BP\_



457AJ2  
457AM2



457BL2

North America: (800) 600 - 6847 • Fax (860) 286 - 1605  
Elsewhere: (860) 242-3632 • Fax (860) 286 - 1657

Comb Plates/Floor Plates

37



# OTIS



## Miscellaneous (Hardware, Tools, Etc. for Combs & Floor Plates)

Part No.	Length	Width	Escalator Type	Description
DIN7991M6x16 SCREW S/S	---	---	506, 506 NCE, 510, 513 NPE, 516 (post-1991)	Comb Screw, Stainless Steel
GO2215T7	---	---	506, 510 (before 1994)	Comb Screws, Bag of 30. Used for Fastening Combs to Comb Plates
VP-849890	---	---	J	Comb Screw, M6, Flat Head
VP-849889	---	---	J	Comb Screw, M6, Philips Head
124AG1	---	---	RBC	Comb Screw. For A453Z Combs.
BX124AG1	---	---	UBSL	Comb Screw
GOA6815AF1	---	---	506	Floor Plate Lifter
GAA27BW1	---	---	506, 506 NCE, 513 NPE, 606 NCT, 610 NPT	Floor Plate Lifter
GOA112C1	---	---	506, 510, 606, J, NPE, UB	Floor Plate Mounting Screw, Fillister Head, Stainless Steel
102FM1	9.19 in. (233,43 mm)	1.91 in. (48,51 mm)	---	Name Plate, Cast Aluminum, For Floor Plate Cutout
GO102KJ1	233 mm	36 mm	506 SL	Otis Emblem (Rectangular)
GAA102ADS2	---	---	---	Otis Emblem (Rounded Ends)
GAA102ADS3	---	---	---	Otis Emblem (Rounded Ends)
65BC1	2.2 in. (55,88 mm)	---	R, RB	Screw, Comb Plate. 5/8 thread, 7/8 inch diameter head.
B59AY1	4.7 in. (119,38 mm)	---	R, RB	Screw, Floor Plate. 1/2-13, 1-3/4 inch diameter head.
B59AY2	4.7 in. (119,38 mm)	---	R, RB	Screw, Floor Plate. 1/2-13, 1 inch diameter head.
GO59AL1	0.45 in. (11,5 mm)	0.30 in. (7,8 mm)	---	Screw, Recessed, Cross-Head
GO2215T6	---	---	506, 506 SL, 510, 606 J, UB, UBSL	Step Guide & Hardware. Used next to combs and steps.

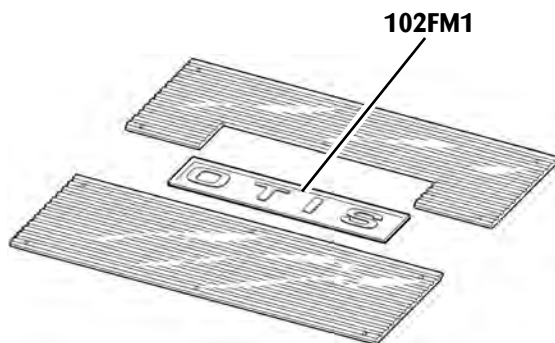
© Otis Elevator, January 2008



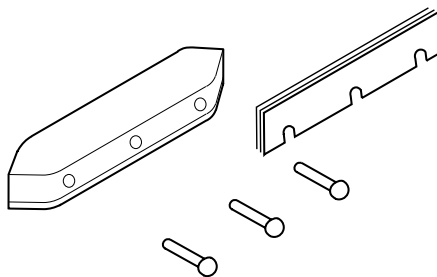
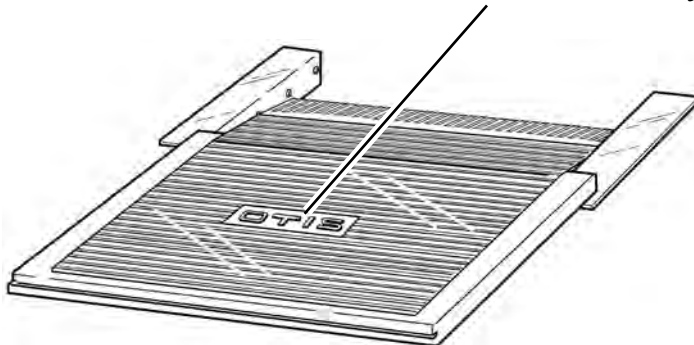
# ESCALATOR PARTS



**GAA27BW1**  
(GOA6815AF1 similar)



**GAA102ADS2, GAA102ADS3, GO102KJ1**



**GO2215T6**

© Otis Elevator, January 2008



# OTIS

## Controller Components

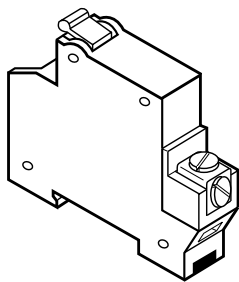
### Circuit Breakers

Refer to SPLs 10-YYGO9703BC and 10-AAA21270AAA

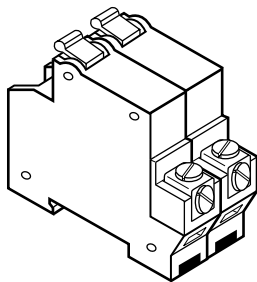
Part No.	Old Part No.	Amps	Escalator Type	Description
GO375Y2		0.50	506, 510, 606	Circuit Breaker
GAA637Z4	GO375Y4	1.00	506, 510, 606	Circuit Breaker
GAA637Z6	GO375Y6	2.00	506, 510, 606	Circuit Breaker
GAA637Z10	GO375Y10	4.00	506, 510, 606	Circuit Breaker
GAA637W1	GO375W7	6.00	506, 510, 606	Circuit Breaker, Double
AAA637A17	GOA9752B17	10-16	506, 510, 606	Circuit Breaker
AAA637A19	GOA9752B19	16-25	506, 510, 606	Circuit Breaker
AAA637A20	GOA9752B20	20-32	506, 510, 606	Circuit Breaker
AAA637A22	GOA9752B22	32-45	506, 510, 606	Circuit Breaker
AAA637A23	GOA9752B23	40-57	506, 510, 606	Circuit Breaker
GOA9752B24		50-63	506, 510, 606	Circuit Breaker
GOA9752B25		55-80	506, 510, 606	Circuit Breaker
AAA637E11		0.50	UBSL	Circuit Breaker, 250 VAC
AAA637E12		6.00	UBSL	Circuit Breaker, 250 VAC



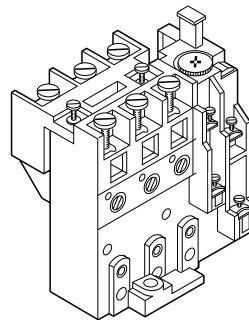
© Otis Elevator, January 2008



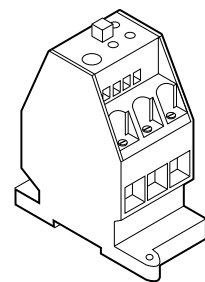
**GO375Y2  
GAA637Z6  
GAA637Z10  
GAA637Z4**



**GAA637W1**



**GOA9752B25**



**AAA637A17  
AAA637A19  
AAA637A20  
AAA637A22  
AAA637A23  
GOA9752B24**



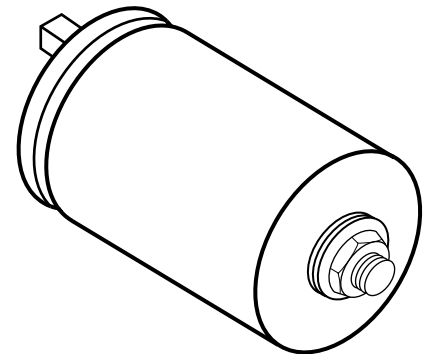


# ESCALATOR PARTS

## Condensers, Fuses, Hour Meters

Refer to SPLs 10-YYGO9703BC, C-969E (c.c. 50), C-1085 (c.c. 10), and C-1100A (c.c. 10)

Part No.	Amps	Escalator Type	Description
GX226W501	---	506, 510, 606	Condenser, DC Dry Electrolytic
226H9	---	J, RBC	Condenser (XA)
226H10	---	J, RBC	Condenser with Resistor (XA)
226H1	---	R, RBC	Condenser, 125 mF
226H2	---	R, RB, RBC	Condenser, 250 mF
226H4	---	R, RB, RBC	Condenser with Resistor
AAA375BT17	1	606	Fuse
375H10	10	R, RB	Fuse, One-Time, 250 v
375H6	6	R, RB, RBC	Fuse, One-Time, 250 v
P180BU1	---	606	Holder, Fuse
CAA623B2	---	UBSL	Hour Meter, without Reset Button, 1 Input (24-300 VAC/VDC)
2700ABR1	---	UBSL	Hour Meter Kit, Consisting of CAA623B1 Hour Meter, CAA386K2 Mounting Plate, & two CAA316L1 Brackets

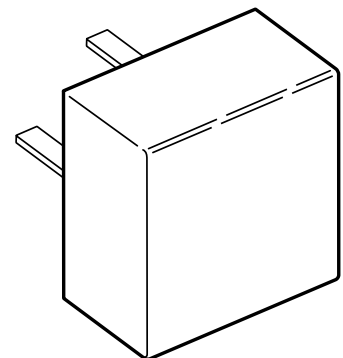


**GX226W501**

## Rectifiers

Refer to SPLs 10-YYGO9703BC, 10-BAA26200AB, C-1085, and C-1100A (in component code 10)

Part No.	Escalator Type	Description
GO230AB1	506, 510, 606	Rectifier
P230BK6	J	Rectifier, ~1 in. (25,4 mm) Square, 400 V
230BJ1	R, RB, RBC	Rectifier, ~10.5 in. (267 mm) Long, Formerly p/n 230AL1.
230BS5	UBSL	Rectifier, Bridge, Single Phase, 105 VAC In, 130 VDC Out. 1.375 in. (35 mm) Square



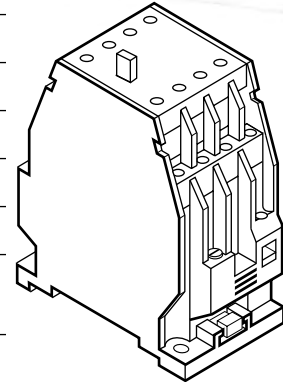
**GO230AB1**

# OTIS

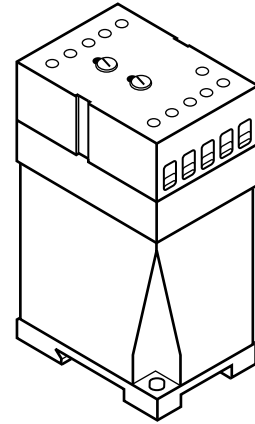
## Relays

Refer to SPLs 10-YYG09703BC, 10-YX9707R, 10-YX9707S, 50-9707R, and 50-9707S

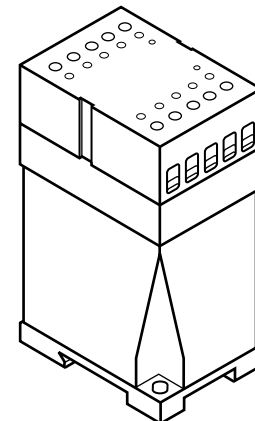
Part No.	Volts	Escalator Type	Description
GO613CL1	---	506 SL	Relay, (HWD1, HWD2)
GO613AN2210	---	506 SL	Relay, Contactor, (MDSBR, STR)
GO613CK220	---	506 SL	Relay, Contactor, (MDSBRX, STRX)
GO613CE402	---	506 SL	Relay, Contactor, (UX, DX)
GO613AN222	---	506 SL	Relay, Contactor, (VCR)
GO630G3	---	506 SL	Relay, Motor Protection, LUB, (SOC1)
YXG0630D2	24 VAC	506, 506 SL, 606	Relay, Speed, for Electronic Controller (1 SHD, 2 SHD)
NAO1111	50-240 VAC/VDC	506, 510, 606	Relay, (1 SHD, 2 SHD). For relay controllers.
GO613CJ1	---	506, 510, 606	Relay, (FRD, 3 SHD, 4 SHD, 5 SHD, YBDC). For relay controllers.
26-732	---	506, 510, 606	Relay, (FRD, XFRD, EBR, MBN). For relay controllers.
EA1100-S923	---	506, 510, 606	Relay, (MSN). For relay controllers.
GO613AP444	220	506, 510, 606	Relay, (UX, DX)
GO613AP224	220	506, 510, 606	Relay, (XBDC, XBDC1)
EA1101-G001	---	506, 510, 606	Relay, (XEB, [USA ONLY] MFN). For auxiliary brake.
9703DD102	208	506, 510, 606	Relay, Asymmetric, (ASN)
9703DD103	220	506, 510, 606	Relay, Asymmetric, (ASN)
9703DD109	440	506, 510, 606	Relay, Asymmetric, (ASN)
9703DD110	460	506, 510, 606	Relay, Asymmetric, (ASN)
9703DD111	480	506, 510, 606	Relay, Asymmetric, (ASN)
9619E3	220	506, 510, 606	Relay, Motor Thermic Device, (MSN)



**GO613AP224**  
**GO613AP444**



**9703DD102-111**



**9619E3**

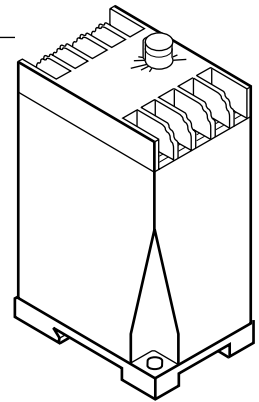
© Otis Elevator, January 2008



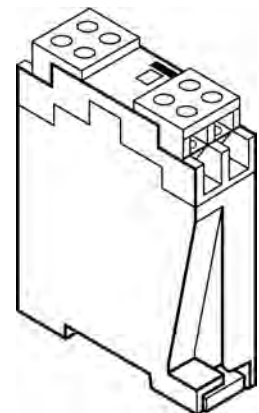
# ESCALATOR PARTS

## Relays (continued)

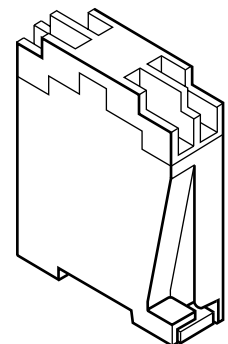
Part No.	Volts	Escalator Type	Description
GO613AC8	---	506, 510, 606	Relay, Time, (1TR, 2TR)
GO613AC2	---	506, 510, 606	Relay, Time, (MLT, EB, SP, OBR)
GO613AC5	---	506, 510, 606	Relay, Time, (XDX, LRX, KMX, XASN, XOBR)
1C-438A1	---	606	Panel, Relay, for Escalators with Relay Controller Only (steel plate with 6 cutouts)
6315Y6	---	J	Relay, Thermal Overload (P1A). 15 and 20 HP @ 200–240 Volts.
6315Y4	---	J	Relay, Thermal Overload (P1A). All 5 and 7.5 HP. 10 and 15 HP @ 440–575 Volts.
6315Y3	---	J	Relay, Thermal Overload (P1A). All others 10–20 HP.
---	---	RBC	Relay, Thermal Overload, Type 6315P (1P, 2P). <b>Call for details; please supply original contract number.</b>
AAA613DH2	24	UBSL	Relay, 4-Pole, 2 NO, 2 NC Contacts
AAA613DH4	24	UBSL	Relay, 4-Pole, 3 NO, 1 NC Contacts
AAA613DH3	110–120	UBSL	Relay, 4-Pole, 3 NO, 1 NC Contacts
AAA613CZ14	24 VAC	UBSL	Relay, Plug-in, 3-Pole, Double-Throw
AAA613CZ15	120 VAC	UBSL	Relay, Plug-in, 3-Pole, Double-Throw



**GO613AC8**



**GO613AC2**



**GO613AC5**

# OTIS

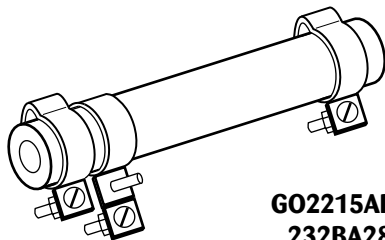


## Resistors

Refer to SPLs 10-YYGO9703BC, C-969E (c.c. 50) , C-1085, and C-1100A (c.c. 10)

Part No.	Watts	Ohms	Escalator Type	Description
GO2215AP4	---	---	506, 510, 606	Resistor, Auxiliary Brake (REB)
232BA28	---	---	506, 510, 606	Resistor, Braking Distance Device (R)
232E207	---	---	J	Resistor (B)
232AA40	---	1.3	J	Resistor (MO)
232AA41	---	1.6	J	Resistor (MO)
232AA44	---	3.8	J	Resistor (MO)
232AA45	---	4.9	J	Resistor (MO)
232AA46	---	6.1	J	Resistor (MO)
232AA47	---	9.3	J	Resistor (MO)
232B220	---	1000	J	Resistor (XA1)
232B10	---	150	R, RB	Resistor
232B11	---	200	R, RB	Resistor
232B12	---	250	R, RB	Resistor
232B15	---	500	R, RB	Resistor
232B16	---	750	R, RB	Resistor
232B18	---	1000	R, RB	Resistor
232B20	---	1500	R, RB	Resistor
AAA617M23	---	2000	R, RB	Resistor
AAA232FE3	30	27	UBSL	Resistor
AAA00605AAA22	0.50	---	UBSL	Suppressor, Arc, PIV 375 V, 250 VDC / 125 VAC

© Otis Elevator, January 2008



**GO2215AP4  
232BA28**

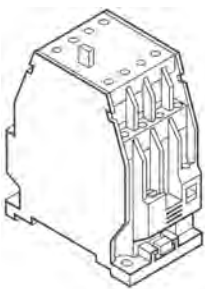


# ESCALATOR PARTS

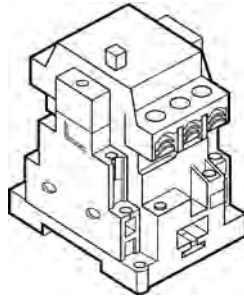
## Switches

Refer to SPL 10-YYGO9703BC

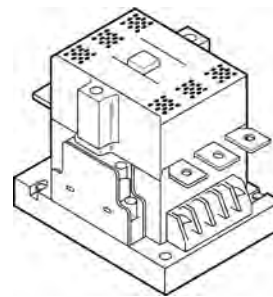
Part No.	Escalator Type	Description
GO613AF224	506, 510, 606	Switch, Up/Down Direction, Type 3TB43, (U, D, M, L)
GO613AG224	506, 510, 606	Switch, Up/Down Direction, Type 3TB44, (U, D, M, L)
GOA613AT224	506, 510, 606	Switch, Up/Down Direction, Type 3TB46, (U, D, M, L)
GOA613AV224	506, 510, 606	Switch, Up/Down Direction, Type 3TF48, (U, D, M, L)
A7003BE3	J	Switch, Cutout/Pit
AAA26200A1	J	Switch, Jog



**GO613AF224**



**GO613AG224**



**GOA613AV224**

## Timers

Refer to SPL 10-BAA26200AB

Part No.	Escalator Type	Description
CAA00623AAA001	606	Timer, Plug-In, for Escalators with Relay Controller Only
AAA630Z1	UBSL	Timer, Off Delay, 0.10 to 10 Sec.
AAA630Z2	UBSL	Timer, Off Delay, 0.60 to 30 Sec.
AAA630Z4	UBSL	Timer, On Delay, 0.10 to 10 Sec., 120 VAC
AAA630Z3	UBSL	Timer, On Delay, 0.10 to 10 Sec., 24 VAC

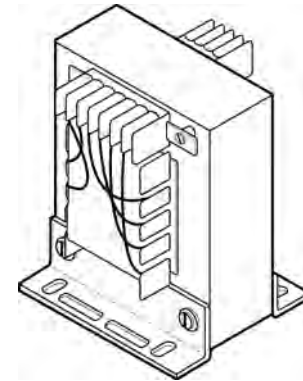


# OTIS

## Transformers

Refer to SPLs 10-YYGO9703BC and 10-YX9707R

Part No.	Volts	Escalator Type	Description
NAOGO225DF1	---	506 SL	Transformer, 198–605 V Range
GO225DJ1	---	506 SL	Transformer
EA1100-G056	575	606	Transformer, 220 V Secondary
EA1100-F766	600	606	Transformer, 220 V Secondary
EA1100-G435	200–380	506, 510, 606	Transformer
	208	606	Transformer, 220 V Secondary. Replaces GO225BK1.
EA1100-G289	480	506, 510, 606	Transformer, 480 V Primary, 220 v Secondary. Formerly p/n GO225CC3; replaces GO225BK2.
	400–600	506, 510, 606	Transformer, 122 V Secondary One, 220 V Secondary Two
GO225BK4	400–600	506, 510, 606	Transformer, 18 V Secondary One, 220 V Secondary Two
235F1	190–240	R, RB	Transformer, Formerly p/n 225BV1
235CH2	380–440	R, RB	Transformer, Formerly p/n 235A6 & 225BV2
235F3	550–575	R, RB	Transformer, Formerly p/n 225BV3
235BH1	200–240	RBC	Transformer
235BH2	440–480	RBC	Transformer
235G6	361–484	R, RB, RBC	Transformer, Formerly p/n 235G2
235G1	185–250	R, RB, RBC	Transformer



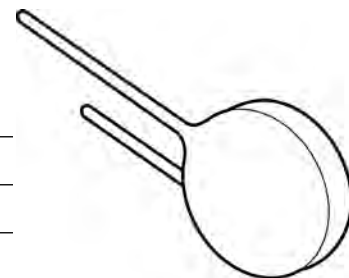
**EA1100-G056  
EA1100-F766  
EA1100-G435  
EA1100-G289  
GO225BK4**

© Otis Elevator, January 2008

## Varistors

Refer to SPLs 10-YYGO9703BC, 10-YX9707R, and 10-YX9707S

Part No.	Escalator Type	Description
GO604A1	506 SL	Varistor, Used for 3TH20
AAA605AA30	506, 510, 606	Varistor, Formerly p/n GO232AD1



**AAA605AA30**

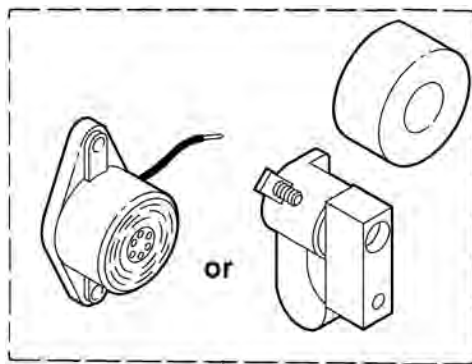


# ESCALATOR PARTS

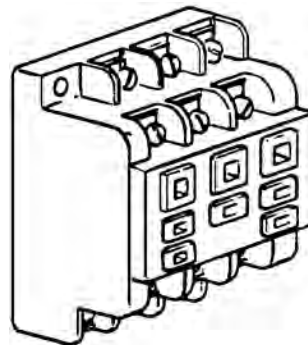
## Parts for Retrofitting Escalators Other Than 506, 510, 606

Part No.	Escalator Type	Description
6219D2	606	Buzzer, for Escalators with Relay Controllers Only
2700CV1	606	Clips, Mounting, for Escalators with Relay Controllers Only
401B25	606	Rail, Din, 33 mm x 120.64 mm, for Escalators with Relay Controllers Only
P618T1	606	Sockets, Wire Wrap, for Escalators with Relay Controllers Only
VP-749300	606	Wire, 22 AWG, 100 ft., for Escalators with Relay Controllers Only

©Otis Elevator, January 2008



6219D2



P618T1



# OTIS

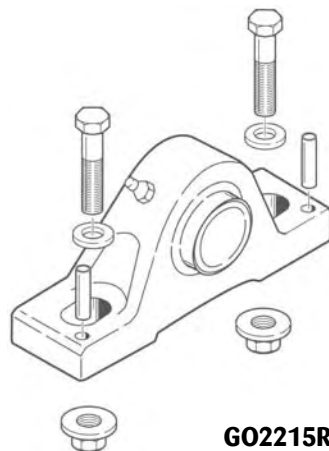
## Countershafts & Countershaft Components

Refer to SPLs 52-9741BR and 55-9701GK

Part No.	Escalator Type	Description
GO2215R34	606	Bearing, Countershaft, with Ring. For auxiliary handrail drives.
GO2215R25	606	Bearing, Sprocket. For tension carriages with auxiliary handrail drives only.
GO218A1	606	Clutch. For tension carriages with auxiliary handrail drives only.
9741GH5	606	Countershaft, Assembly, Type 600 (32 in.). For tension carriages with auxiliary handrail drives only.
9741GH6	606	Countershaft, Assembly, Type 800 (40 in.). For tension carriages with auxiliary handrail drives only.
9741GH7	606	Countershaft, Assembly, Type 900 (44 in.). For tension carriages with auxiliary handrail drives only.
9741GH8	606	Countershaft, Assembly, Type 1000 (48 in.). For tension carriages with auxiliary handrail drives only.
86405	606	V-Ring for Clutch. For tension carriages with auxiliary handrail drives only.
4601A108	J, UB	Countershaft, Assembly, Type 600 (32 in.)
9701GK3	J, UB	Countershaft, Assembly, Type 900 (44 in.)
4601A110	J, UB	Countershaft, Assembly, Type 1000 (48 in.)
GOA396AF1	J, UB	Housing, Countershaft Bearing (bearings not included)
BY9701GK1	UBSL	Countershaft, Assembly, Type 600 (32 in.)
BY9701GK4	UBSL	Countershaft, Assembly, Type 1000 (48 in.)



© Otis Elevator, January 2008



**GO2215R34**

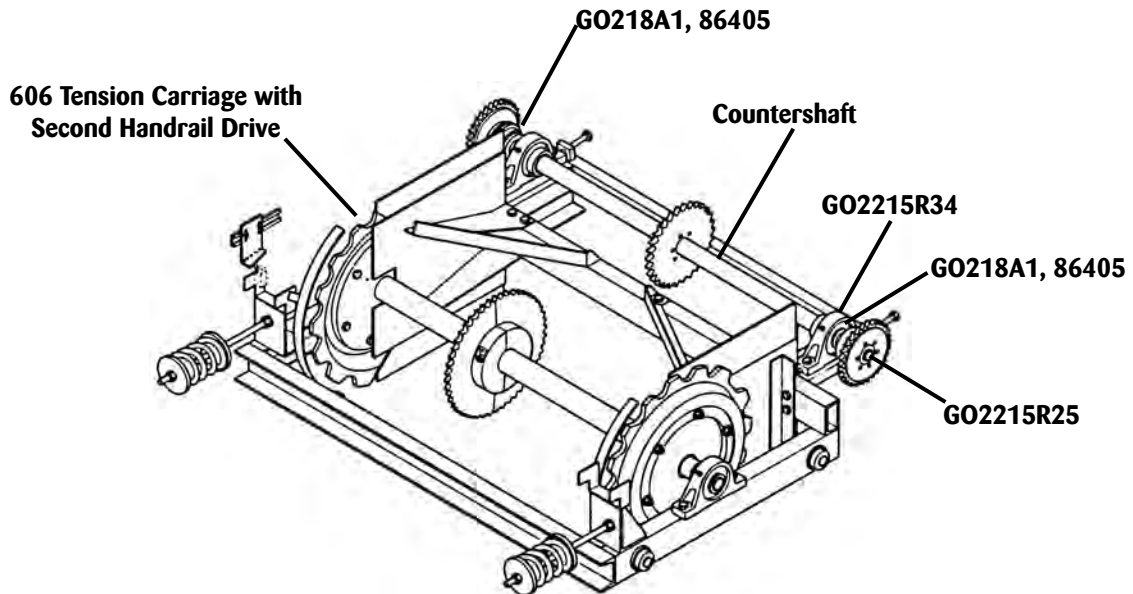


**North America: (800) 600 - 6847 • Fax (860) 286 - 1605**  
**Elsewhere: (860) 242-3632 • Fax (860) 286 - 1657**

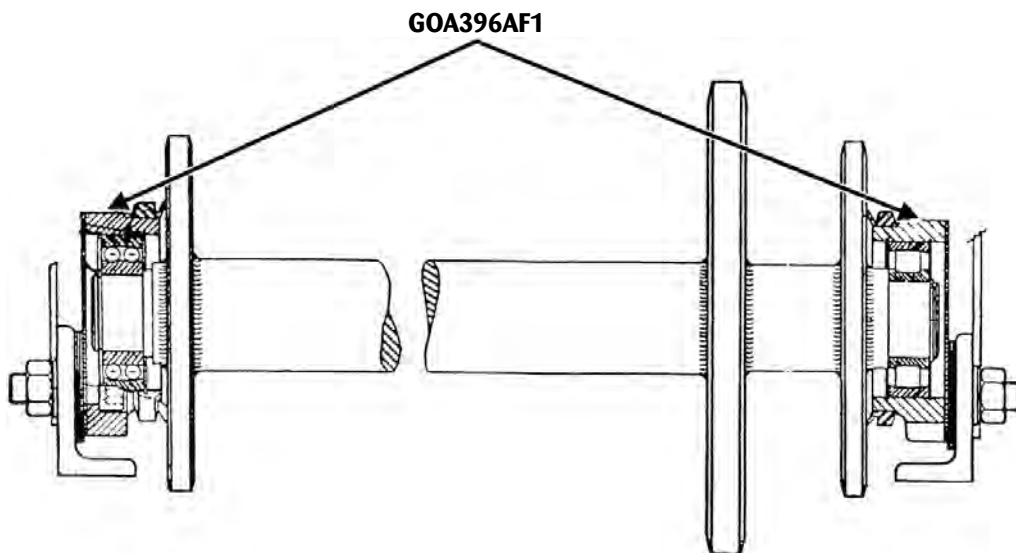


# ESCALATOR PARTS

©Otis Elevator, January 2008



9741GH5, 9741GH6, 9741GH7, 9741GH8



4601A108, 4601A110, 9701GK3

North America: (800) 600 - 6847 • Fax (860) 286 - 1605  
Elsewhere: (860) 242-3632 • Fax (860) 286 - 1657

Countershafts



# OTIS

## Guides

### Handrail Guides

**NOTE:** For handrail roller guides, see “Rollers.”

**NOTE:** To ensure the correct guide, call with the following information:

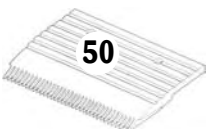
- Model
- Upper Transition
- Lower Transition
- Incline
- Return
- Total length measured over arc

**NOTE:** Call in the following circumstances:

- **ML** Escalators
- **510** Escalators. Specify:
  - 2 or 3 Flat Steps
  - Curved or Mitered (sharp angle cuts at transitions) Balustrade Design
- **Incline** Section of **UBSL** Escalators
- **Incline** Section of **Post-1994 506 SL** Escalators



© Otis Elevator, January 2008

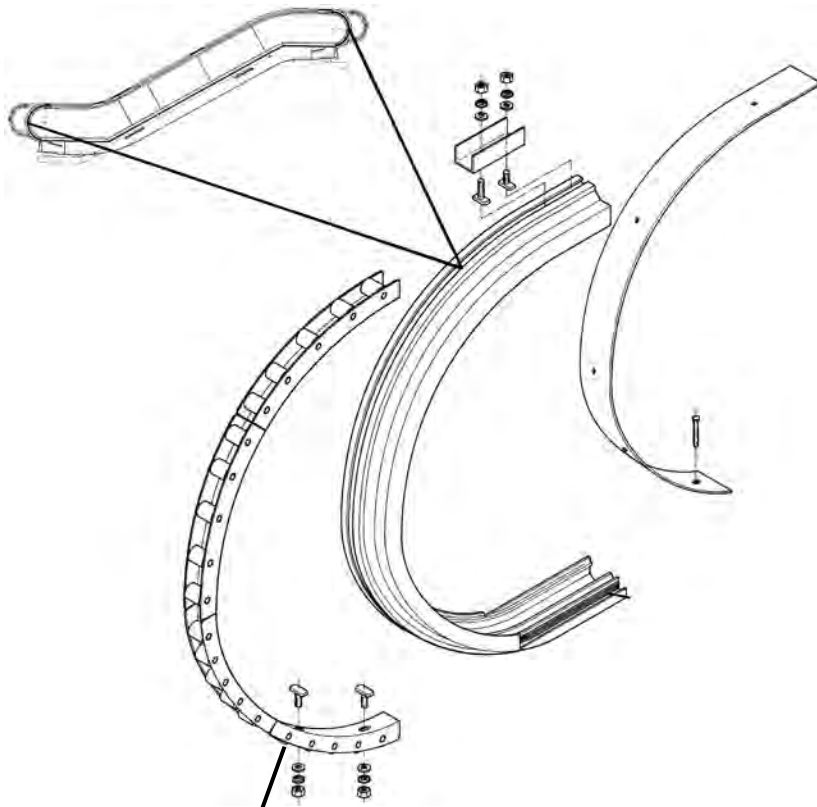


**Guides**

**North America: (800) 600 - 6847 • Fax (860) 286 - 1605**  
**Elsewhere: (860) 242-3632 • Fax (860) 286 - 1657**

# ESCALATOR PARTS

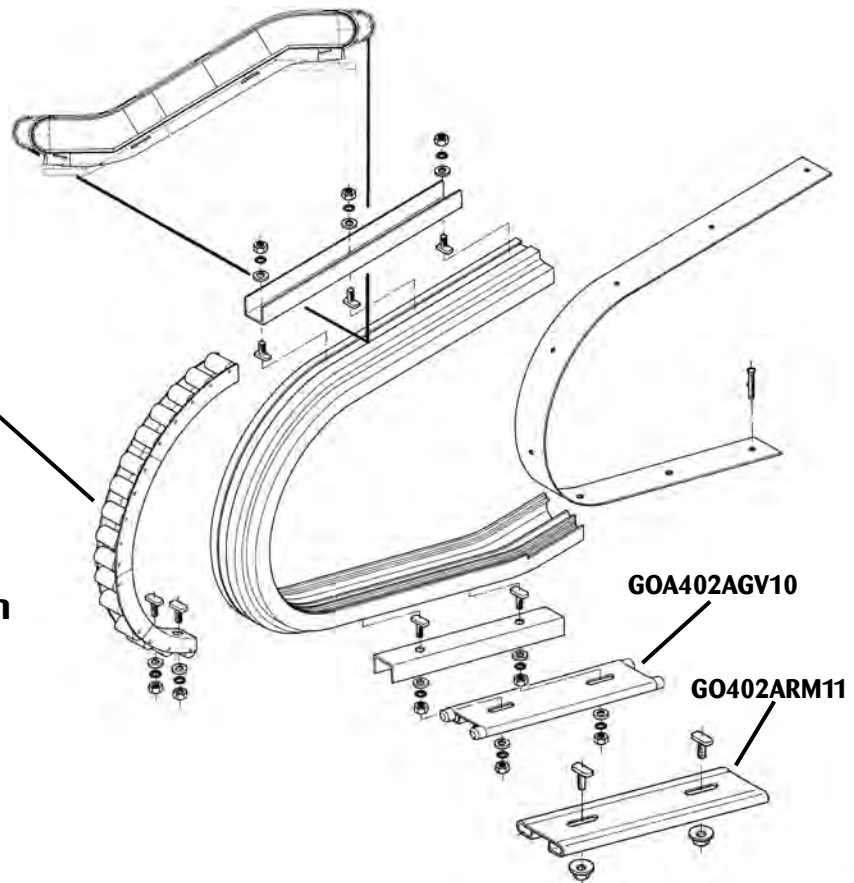
© Otis Elevator, January 2008



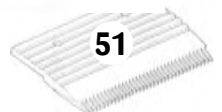
**Typical 506  
Standard Newel Configuration**

See Rollers Section

**Typical 506  
Elongated Newel Configuration**

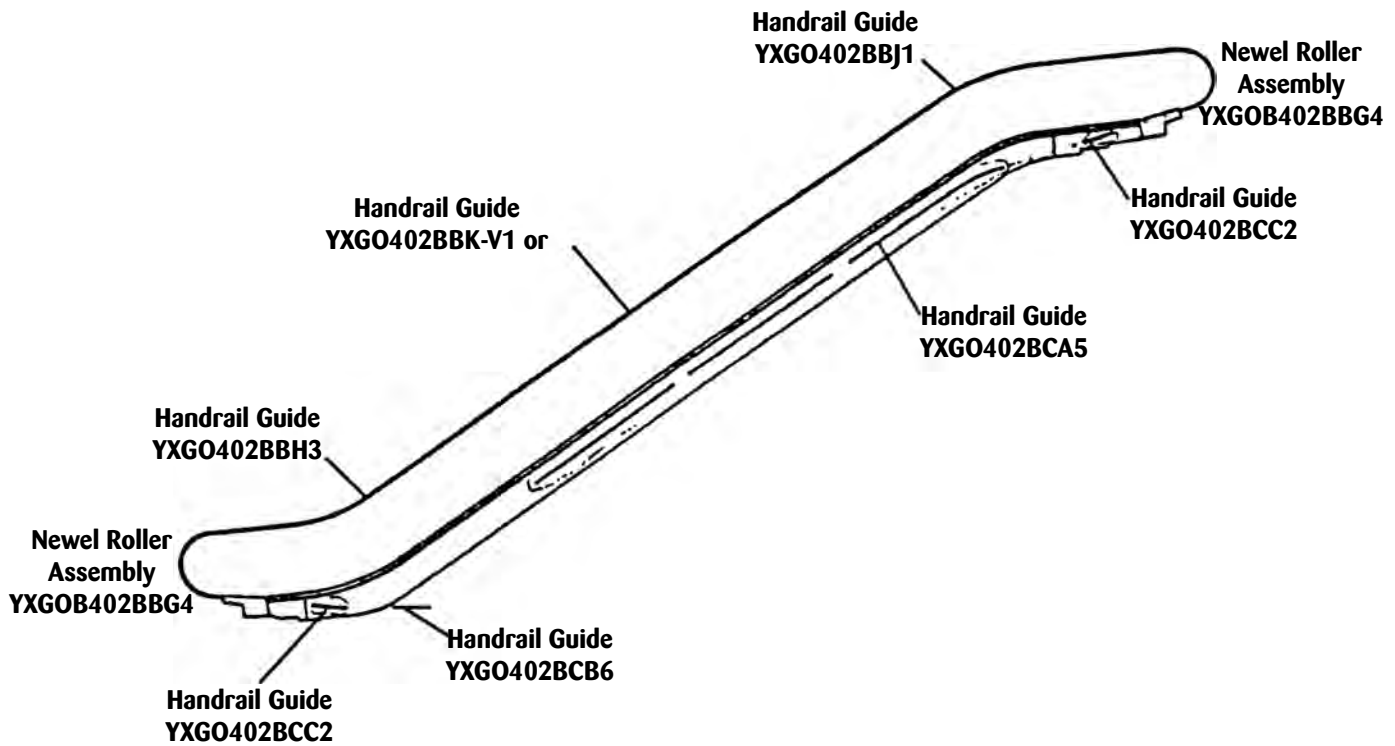


**Guides**



**North America: (800) 600 - 6847 • Fax (860) 286 - 1605  
Elsewhere: (860) 242-3632 • Fax (860) 286 - 1657**

# OTIS



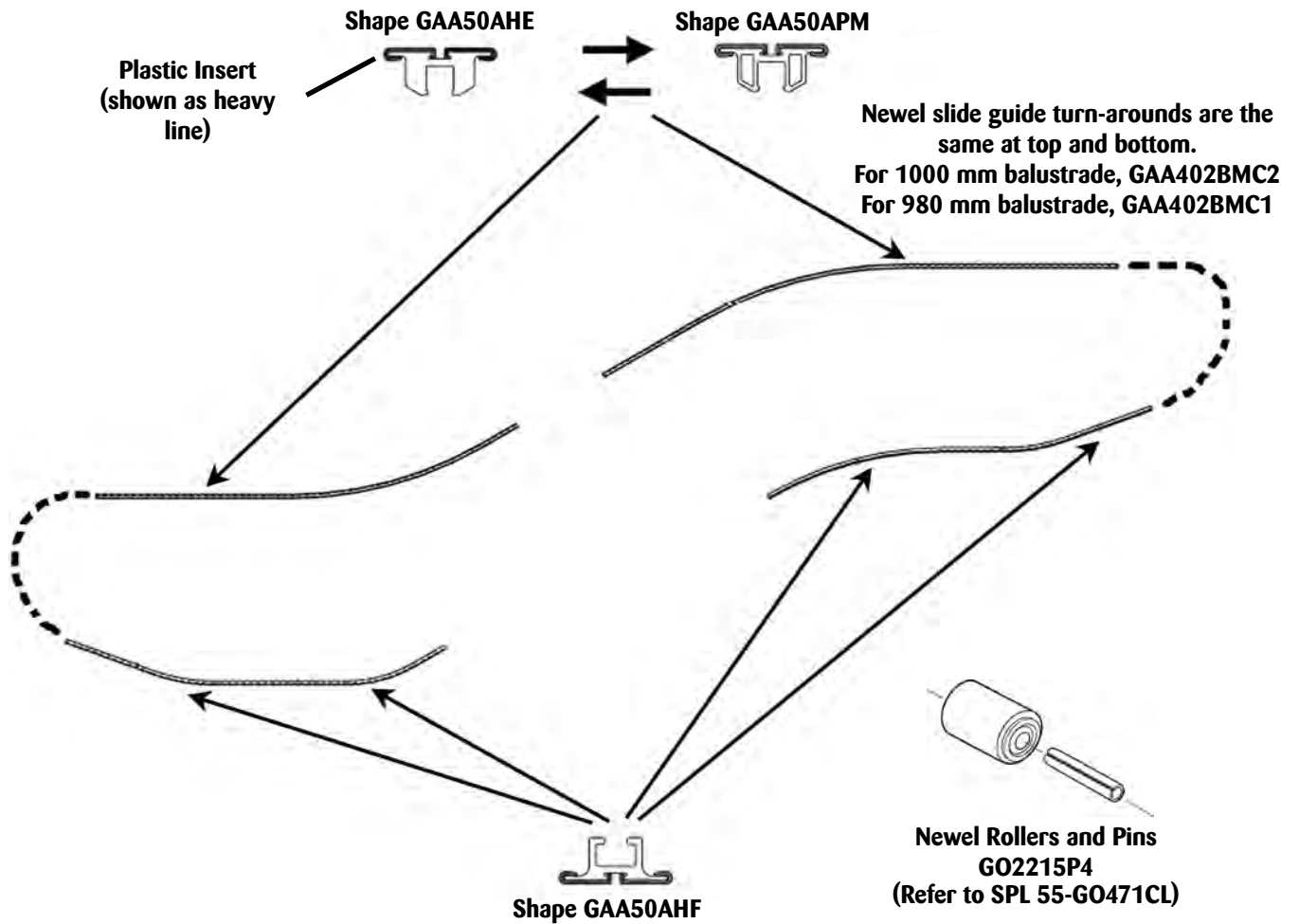
**Typical 506 SL Configuration  
(Refer to SPL 57-YX9703HA)**

© Otis Elevator, January 2008



# ESCALATOR PARTS

© Otis Elevator, January 2008



**Typical 506 NCE Configuration**

North America: (800) 600 - 6847 • Fax (860) 286 - 1605  
Elsewhere: (860) 242-3632 • Fax (860) 286 - 1657

**Guides**



53

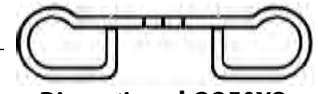
# OTIS

## Handrail Guides (continued)

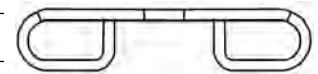
Part No.	Escalator Type	Material	Description
GOA402AGV10	506	Stainless Steel	Handrail Guide. For aluminum balustrades, elongated newels.
GO402ARM11	506	Stainless Steel	Handrail Guide, Return Side. ~17 in. Long. For stainless steel balustrades, elongated newels.
YXGO402BBK-V4	506 SL		Handrail Guide, Incline
YXGO402BCB-V1	506 SL		Handrail Guide, Incline, Return Side
YXGO402BCB6	506 SL		Handrail Guide, Lower Return, 53 in. (1346 mm). Near handrail drive.
YXGO402BBH3	506 SL		Handrail Guide, Lower Transition
YXGO402BCA5	506 SL		Handrail Guide, Upper Return. Next to incline.
YXGO402BBJ1	506 SL		Handrail Guide, Upper Transition
YXGO402BCC2	506 SL		Handrail Guide, Lower Return-Lead Off Newel
AAA139AR1	506 SL (post-1994); UBSL	Aluminum	Handrail Guide, Newel. Use on escalators that have snap-on plastic guides on each side of guide.
GAA50AHA1	506 NCE	Plastic	Handrail Guide Shape, 120 ft. Long
AAA139AX1	506 SL, UBSL	Plastic	Handrail Guide Shape, 120 ft. Long
1S-GAA50AGD-5000	506 SL	Plastic	Handrail Guide Shape, 1-Piece Slide-On
BAA50BE-3950	506 SL (post-1994), UBSL	Aluminum	Handrail Guide Shape, ~13 ft. Long. For passenger side.
BAA50BF1-6000	506 SL (post-1994), UBSL	Aluminum	Handrail Guide Shape, ~19.5 ft. Long. For return side.
GO385FB1	506 SL		Roller Guide for Inside of Back of Handrail (higher rise only)
GAA50AGJ1-6000	506, 510, 606	Steel	Handrail Guide Shape, Incline
GAA50AGJ2	506, 510, 606	Stainless Steel	Handrail Guide Shape, Incline
GO402ARC6	506		Handrail Guide, Lower Landing. For elongated newel.
GO402ARC3	506		Handrail Guide, Lower Landing. For normal newel.
GO402ARB6	506		Handrail Guide, Upper Landing. For elongated newel.



**GO402ARM11**



**Discontinued GO50YC Shape**



**New GAA50AGJ Shape Used in GO402ARM11, GO402ARB\_, GO402ARC\_**



**AAA139AX1 (GAA50AHA1 is similar)**



**GAA50AGD**

© Otis Elevator, January 2008

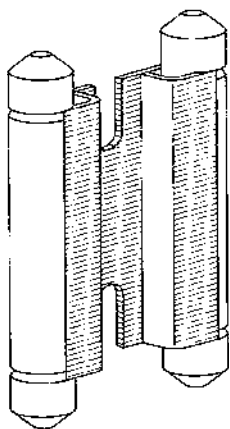


# ESCALATOR PARTS

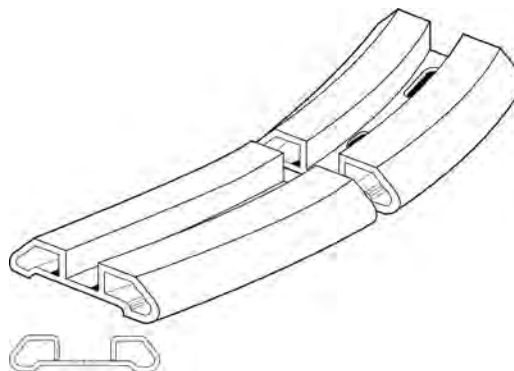
## Handrail Guides (continued)

Part No.	Escalator Type	Material	Description
GO402ARB3	506		Handrail Guide, Upper Landing. For normal newel.
GO2215AB8	510, 606, UB, J		Transition Guide, Handrail
GO402ARM12	510		Handrail Guide, Incline, Return Side
YXGO402AHW1-MOD	J		Handrail Guide, Lower
GO402HX4	J		Handrail Guide, Return, 51 in. Long
YXGO402AHX1-MOD	J		Handrail Guide, Upper
385NE1	J Escal-Aire®		Handrail Guide, Lower Curve
385ND1	J Escal-Aire®		Handrail Guide, Upper Curve
AYXGO402AGV1	J Escal-Aire®		Handrail Guide, Upper Return, 24 in. Long. Lead off newel.
50ADM-96	J, RBC, UB	Galvanized Steel	Handrail Guide Shape, 96 in. Long, with Slots
50ADM-122	J, RBC, UB	Galvanized Steel	Handrail Guide Shape, 122 in. Long, with Slots
385BZ1	O		Handrail Guide, Upper Landing, without Slots
385CC1	O		Handrail Guide, Lower Landing
50NV-BZ-144	O, R, RB		Handrail Guide Shape, 144 in. Long, Straight for Incline

© Otis Elevator, January 2008



**GO2215AB8**



**50ADM Shape**

Used in:

**385JF\_, 385JG\_, 385JM\_, 385ND1,  
385NE1, GO402HX\_,  
AYXGO402AGV1,  
YXGO402AHW1-MOD,  
YXGO402AHX1-MOD**



**50NV Shape**

Used in:

**385BZ1, 385CC1, 385DN1,  
385EW1, 385JJ1, 385JK1**

**North America: (800) 600 - 6847 • Fax (860) 286 - 1605  
Elsewhere: (860) 242-3632 • Fax (860) 286 - 1657**

**Guides**

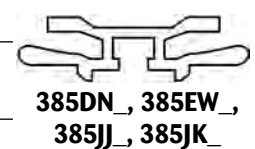
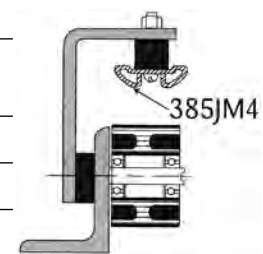
**55**



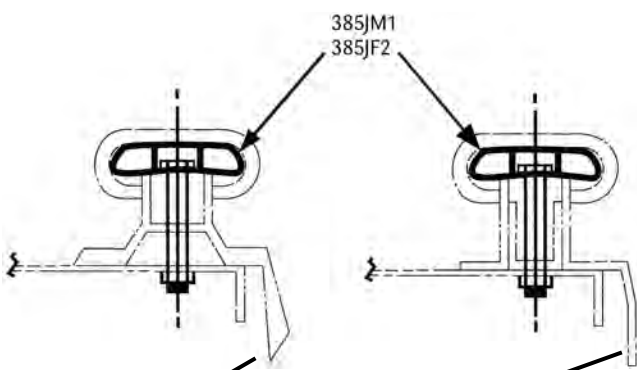
# OTIS

## Handrail Guides (continued)

Part No.	Escalator Type	Material	Description
385EW1	R, RB	Bronze	Handrail Guide, 24 in. Arc. For roller bow.
385DN1	R, RB	Bronze	Handrail Guide, 6 in. Long. Next to handrail drive assembly.
385JM4	R, RB, RBC	Galvanized Steel	Handrail Guide, 4 in. For roller bow (return side).
385JK1	RB	Bronze	Handrail Guide, Lower Curve
385JJ1	RB	Bronze	Handrail Guide, Upper Curve
385JM7	RBC	Galvanized Steel	Handrail Guide, Arc, 24 in. Long (return side).
385JM1	RBC	Galvanized Steel	Handrail Guide, Incline
385JG1	RBC	Galvanized Steel	Handrail Guide, Lower Curve, Aluminum Deck
385JG2	RBC	Galvanized Steel	Handrail Guide, Lower Curves, Stainless Steel Deck
385JF1	RBC	Galvanized Steel	Handrail Guide, Upper Curves
385JM2	RBC Escal-Aire®	Galvanized Steel	Handrail Guide, Incline, 5 in.
385JM5	RBC Escal-Aire®	Galvanized Steel	Handrail Guide, Incline Arc, 16 in. For lower roller bow.
385JM6	RBC Escal-Aire®	Galvanized Steel	Handrail Guide, Incline Arc, 16 in. For upper roller bow.
385JG3	RBC Escal-Aire®	Galvanized Steel	Handrail Guide, Lower Curve, Aluminum Deck
385JG4	RBC Escal-Aire®	Galvanized Steel	Handrail Guide, Lower Curve, Stainless Steel Deck
385JF2	RBC Escal-Aire®	Galvanized Steel	Handrail Guide, Upper Curve

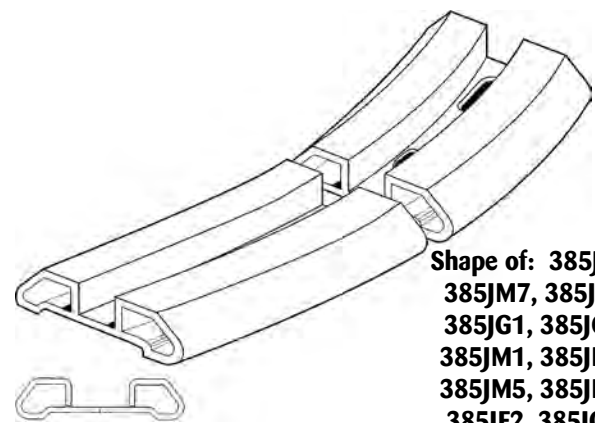


© Otis Elevator, January 2008



Aluminum Deck

Stainless Steel Deck



Shape of: 385JM4,  
385JM7, 385JF1,  
385JG1, 385JG2,  
385JM1, 385JM2,  
385JM5, 385JM6,  
385JF2, 385JG3,  
385JG4



**Guides**

**North America: (800) 600 - 6847 • Fax (860) 286 - 1605**  
**Elsewhere: (860) 242-3632 • Fax (860) 286 - 1657**

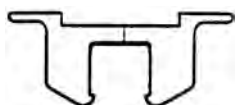


# ESCALATOR PARTS

## Handrail Guides (continued)

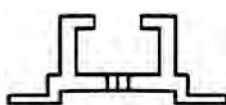
Part No.	Escalator Type	Description
BAA139C1	UBSL	Handrail Guide, Lower Landing, 2 Flat Steps/30°, Passenger Side
BAA385D1	UBSL	Handrail Guide, Lower Landing, 2 Flat Steps/30°, Return Side
BAA139D2	UBSL	Handrail Guide, Lower Landing, 3 Flat Steps/30°, Passenger Side
BAA385D2	UBSL	Handrail Guide, Lower Landing, 3 Flat Steps/30°, Return Side
BAA139B1	UBSL	Handrail Guide, Newel
BAA139D1	UBSL	Handrail Guide, Upper Landing, 2 Flat Steps/30°, Passenger Side
BAA385E1	UBSL	Handrail Guide, Upper Landing, 2 Flat Steps/30°, Return Side
BAA139C2	UBSL	Handrail Guide, Upper Landing, 3 Flat Steps/30°, Passenger Side
BAA385E2	UBSL	Handrail Guide, Upper Landing, 3 Flat Steps/30°, Return Side

© Otis Elevator, January 2008



**BAA50BE Shape**  
Used in Passenger  
Sides:

**BAA139B\_**  
**BAA139C\_**  
**BAA139D\_**  
**AAA139AR\_**



**BAA50BF Shape**  
Used in Return Sides:  
**BAA385D\_**, **BAA385E**

North America: (800) 600 - 6847 • Fax (860) 286 - 1605  
Elsewhere: (860) 242-3632 • Fax (860) 286 - 1657

**Guides**



57

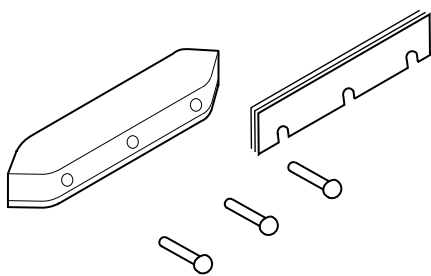
# OTIS



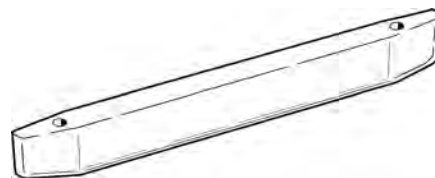
## Miscellaneous Guides

Part No.	Escalator Type	Description
GOA402BBG3	506 SL	Newel, Complete
GOA402BBG4	506 SL	Roller Cluster, 3 Roller (w/milder radius) for Top and Bottom Sections of Newel
GOB402BBG2	506 SL	Roller Cluster, 3 Roller (w/tight radius) for Outer Sections of Newel
GO2215T6	506, 506 SL, 606, J, UBSL	Step Guide, with Hardware & Shims
GO385EY2	510	Chain Guide, 1000 mm
GO385EY1	510	Chain Guide, 1250 mm
GX237AW1	J, UBSL	Guide Shoe, Nylon, Used on Brake Activating Device for Main Drive Chains, 6.75 in. Long, Metric Tapped
237AW1	R, RB	Brake Pawl Chain Guide, 10-32 Taps
237BE1	RBC	Guide Shoe, Brake-Activating Device. On main drive chain.
198AD3	RBC	Pulley Assembly, Handrail Guide. Consists of 198AD2 handrail guide pulley, shaft, blocks, and pin.
198AD2	RBC	Pulley, Handrail Guide. On roller bow and at center support.
385KL2	RBC	Tangential Guide, Steel, Tension Device, LH Side
385KL1	RBC	Tangential Guide, Steel, Tension Device, RH Side

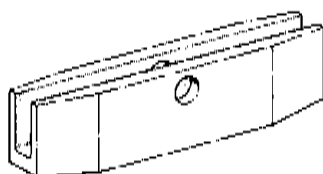
© Otis Elevator, January 2008



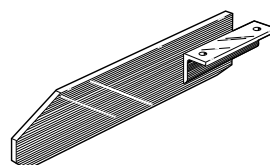
**GO2215T6**



**GX237AW1, 237AW1**



**237BE1**



**385KL1, 385KL2**



58

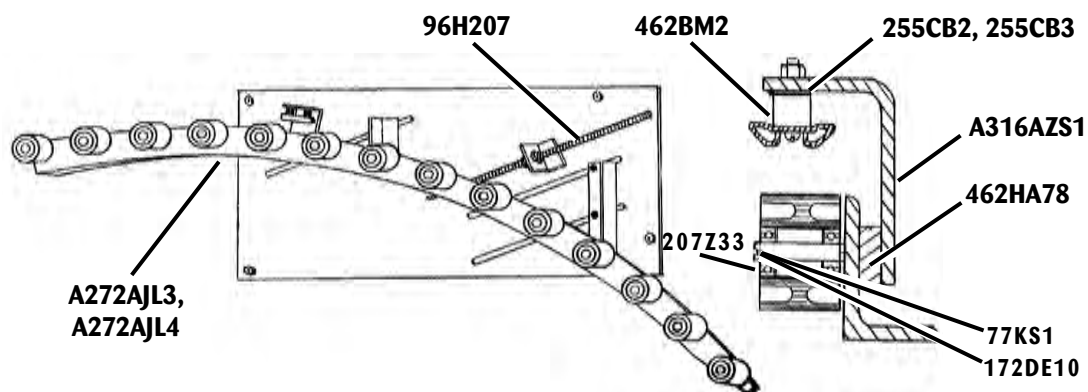
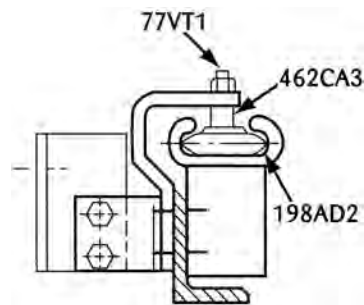
## Guides

**North America: (800) 600 - 6847 • Fax (860) 286 - 1605**  
**Elsewhere: (860) 242-3632 • Fax (860) 286 - 1657**

# ESCALATOR PARTS

## Miscellaneous Hardware

Part No.	Escalator Type	Description
A272AJL3	R, RB, RBC	Angle, Handrail Guide, LH
A272AJL4	R, RB, RBC	Angle, Handrail Guide, RH
207Z33	R, RB, RBC	Ball Bearing, 1.26 in. (32 mm) OD
A316AZS1	R, RB, RBC	Bracket, Guide
77VT1	R, RB, RBC	Pin (for Escal-Aire® Handrail Guide, Center Support)
77KS1	R, RB, RBC	Pin (for Roller 456AT2)
198AD2	R, RB, RBC	Pulley (for Escal-Aire® Handrail Guide, Center Support)
172DE10	R, RB, RBC	Ring, Retaining
96H207	R, RB, RBC	Rod
255CB2	R, RB, RBC	Shim
255CB3	R, RB, RBC	Shim
462BM2	R, RB, RBC	Spacer
462HA78	R, RB, RBC	Spacer
462CA3	R, RB, RBC	Spacer (for Escal-Aire® Handrail Guide, Center Support)



© Otis Elevator, January 2008

North America: (800) 600 - 6847 • Fax (860) 286 - 1605  
Elsewhere: (860) 242-3632 • Fax (860) 286 - 1657

Guides



# OTIS

## Handrail Drive Components

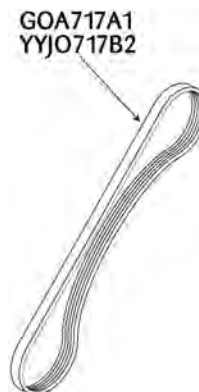
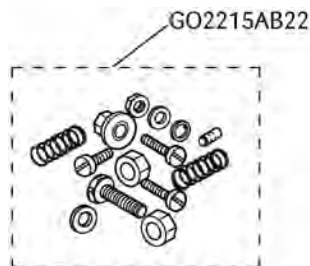
### 506 Escalators

Refer to SPL 55-9703AW

Part No.	Escalator Type	Description
YYJ0717B2	506	Belt, Handrail Drive, Polyurethane, Extended Life
GOA717A1	506	Belt, Handrail Drive, Rubber
GO2215AB22	506	Hardware Set. For handrail drive, pulleys and rollerbows.
GO2215AB20	506	Sheave Assembly, Lower (Chain-Driven), with Bearings, Handrail Drive (V-Belt)
GO9703AB2	506	Sheave Assembly, Upper Tension, Lever-Type (Vintage 01). Same application as GO9703BA1.
GO2215AB21	506	Sheave Assembly, Upper, Single-Bearing. Used in GO9703AB2 Tension sheave (early vintage).
GO2215AB37	506	Sheave Assembly, Upper, with 2 Bearings and rings, Handrail Drive. Vintage 02.
GO9703AA3	506	Sheave, Drive (V-Belt and Sprocket), LH Side of Handrail Drive, without Hardware, Weatherproof
GO9703AA4	506	Sheave, Drive (V-Belt and Sprocket), RH Side of Handrail Drive, without Hardware, Weatherproof
GO9703BA1	506	Sheave, Tension, Spring-Type, Complete
GO90BP1	506	Spring. Vintage 02. For GO9703BA1 tension sheave.
GO385EP1	506	Tension Box. For broken drive chain switch device.
GO385EK1	506	Tension Box. For handrail drive chain.



© Otis Elevator, January 2008



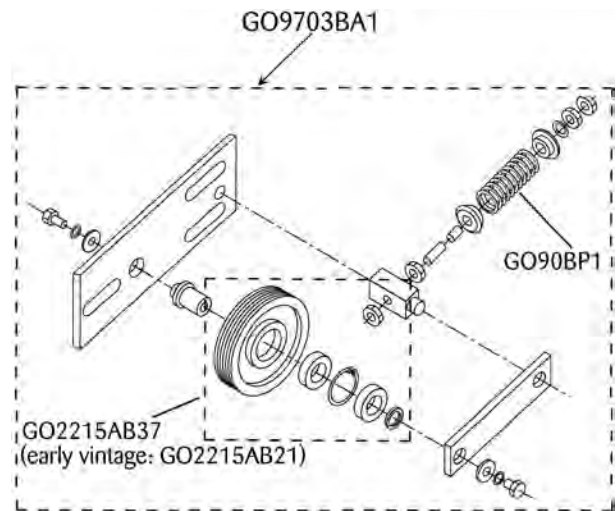
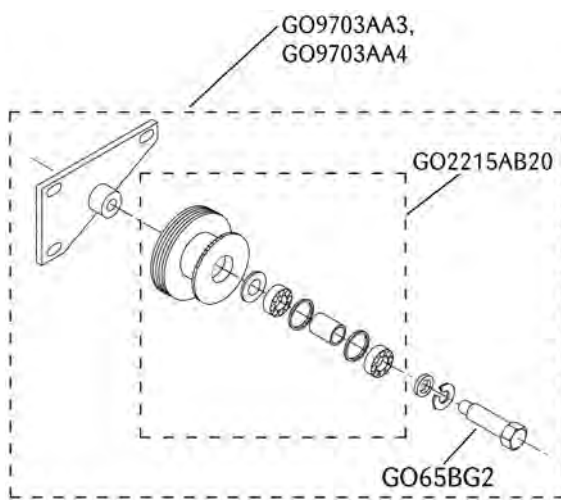
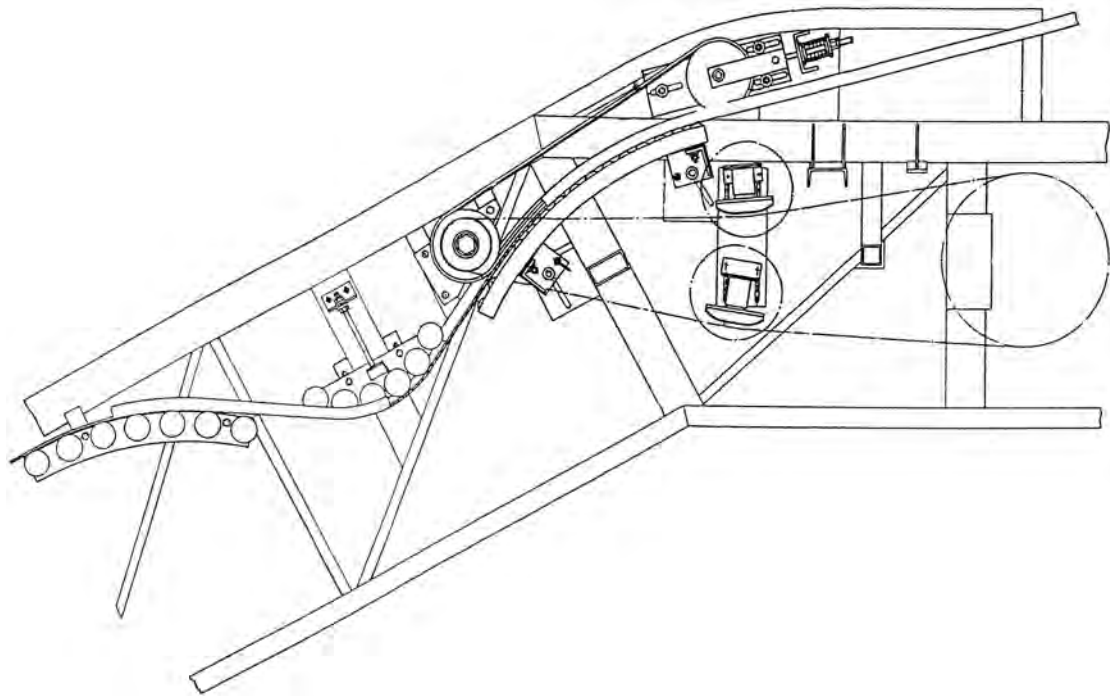
60

Handrail Drive Components

North America: (800) 600 - 6847 • Fax (860) 286 - 1605  
Elsewhere: (860) 242-3632 • Fax (860) 286 - 1657

# ESCALATOR PARTS

©Otis Elevator, January 2008



# OTIS

## Handrail Drive Components (continued)

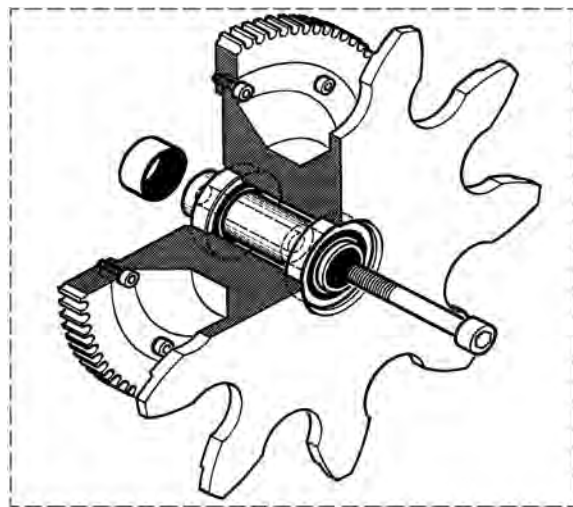
### 506 NCE Escalators

Refer to SPLs 55-GAA26180J and 55-GAA26180V

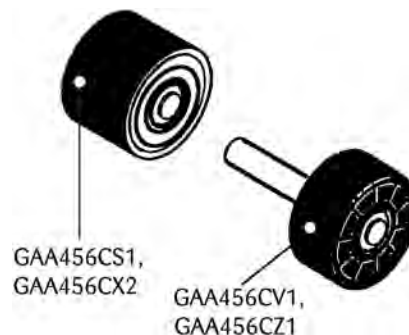
Part No.	Escalator Type	Description
GAA717E1	506 NCE	Belt, Cog. For gear drive on linear handrail drive.
GCA717D1	506 NCE	Belt, Handrail Drive, Linear Drive
GAA241E1	506 NCE	Brush
GAA174RN1	506 NCE	Cable. For inductive proximity sensor GAA608A2.
GBA26180D1	506 NCE	Handrail Drive Assembly, Left-Hand
GBA26180D2	506 NCE	Handrail Drive Assembly, Right-Hand
GO2215AB53	506 NCE	Pin Wheel Kit
GAA456CD1	506 NCE	Roller (early vintage)
GAA456DG10	506 NCE	Roller (later vintage)
GAA456CS1	506 NCE	Roller, 8 mm, Lower Carriage, No Shaft
GAA456CV1	506 NCE	Roller, 8 mm, Upper Carriage
GAA456CX2	506 NCE	Roller, 12 mm, Lower Carriage, No Shaft
GAA456CZ1	506 NCE	Roller, 12 mm, Upper Carriage
GAA456DJ1	506 NCE	Roller, Internal Row
GAA456CD4	506 NCE	Roller, Speed-Sensing (early vintage)
GAA456CD5	506 NCE	Roller, Speed-Sensing (later vintage)
GAA456DR3	506 NCE	Roller, Upper Single
GAA608A2	506 NCE	Sensor, Inductive Proximity
GO385EP1	506 NCE	Tension Box. For broken drive chain switch device.



© Otis Elevator, January 2008



GO2215AB53



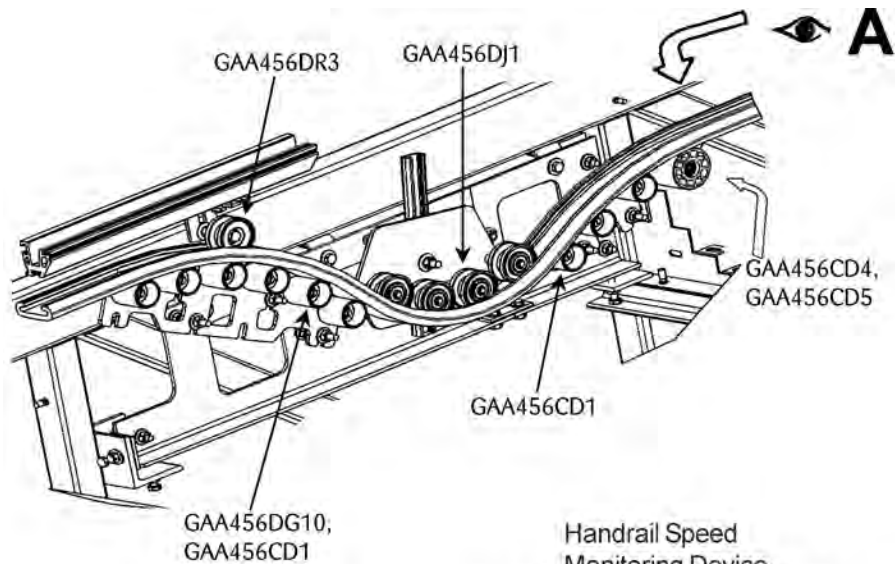
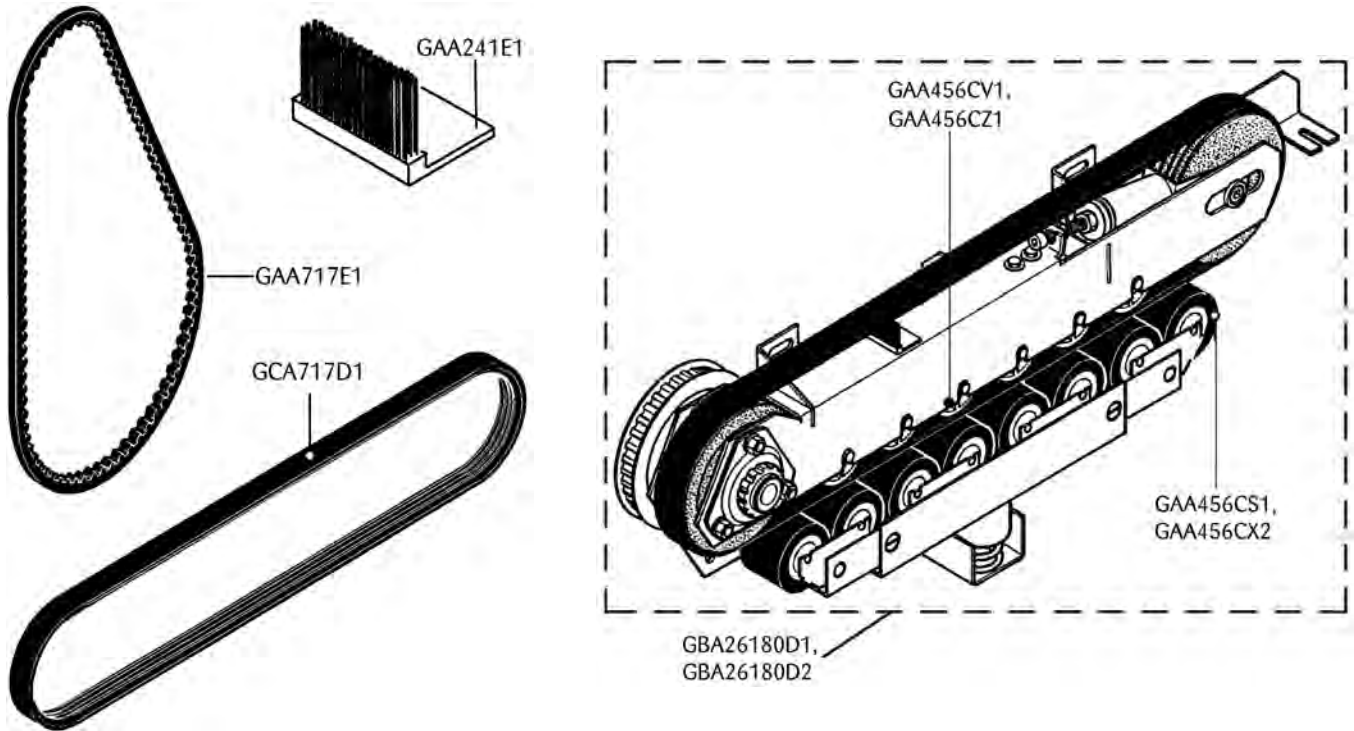
62

**Handrail Drive Components**

**North America: (800) 600 - 6847 • Fax (860) 286 - 1605**  
**Elsewhere: (860) 242-3632 • Fax (860) 286 - 1657**

# ESCALATOR PARTS

© Otis Elevator, January 2008



## Handrail Length Compensator

North America: (800) 600 - 6847 • Fax (860) 286 - 1605  
Elsewhere: (860) 242-3632 • Fax (860) 286 - 1657

Handrail Drive Components

# OTIS

## Handrail Drive Components (continued)

### 506 SL Escalators and 606 Trav-O-Lators®

Refer to SPL 55-9703DP



Part No.	Escalator Type	Description
GO260AF3	506 SL	Belt, HR Drive, White (for colored handrails), 42 mm Wide (this belt type mates with 45 mm wide sheaves only GO2215AB34 & 35)
GO260AF4	506 SL	Belt, HR Drive, Black, 42 mm Wide (this belt type mates with 45 mm wide sheaves only GO2215AB34 & 35)
GOA2215AB34	506 SL	Sheave Assembly, w/Shaft, 59 mm Sheave (mates w/belts GOA260AF1, GOB260AF2)
GOA2215AB35	506 SL	Sheave Kit, w/Bearings, 59 mm Sheave (mates w/belts GOA260AF1, GOB260AF2)
GOB260AF2	506 SL	Belt, Handrail Drive, Black, 56 mm Wide, Used on GOA2215AB34 & 35
GOA260AF1	506 SL	Belt, Handrail Drive, White, 56 mm Wide, Used on GOA2215AB34 & 35
GO2215AB34	506 SL	Sheave Assembly, w/Shaft, Handrail Drive Belt Tension. 2 needed per assembly. 45 mm Width Sheave, mates w/Belts GO260AF3 & AF4)
GO2215AB35	506 SL	Sheave, 45 mm, with Bearing Kit (mates w/belts GO260AF3 & AF4)
GOA2215AB32	506 SL	Sprocket, with Bearings
GOB2215AB41	506 SL	Sprocket, with Bearings and Shaft
GO2215AB36	506 SL	Tension Device, Handrail Drive
GO385EP1	506, 506 NCE	Tension Box. For broken drive chain switch device.
GO385EK1	606	Tension Box. For handrail drive chain.
GO260R4	606	Bolt, Handrail Drive
GOA265A4	606	Sheave, Newel and Handrail Drive (Escalator Upper Landing), 1.4 in. Wide

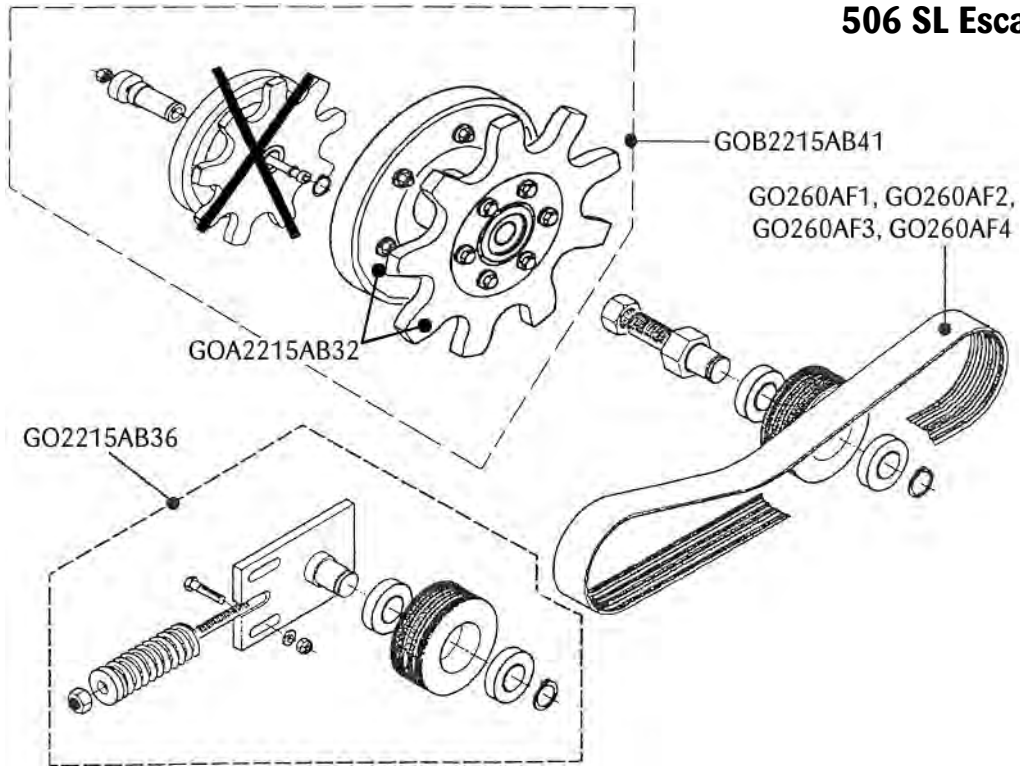
© Otis Elevator, January 2008



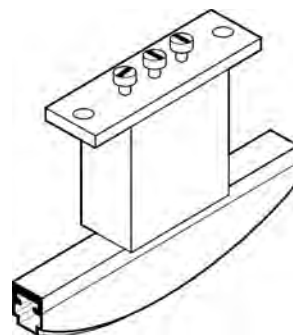
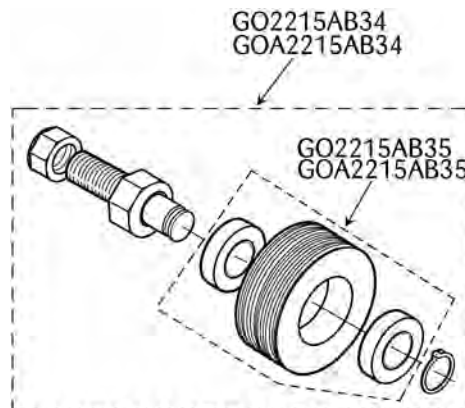


# ESCALATOR PARTS

## 506 SL Escalator



## 506 SL Escalator



GO385EK1  
GO385EP1

North America: (800) 600 - 6847 • Fax (860) 286 - 1605  
Elsewhere: (860) 242-3632 • Fax (860) 286 - 1657

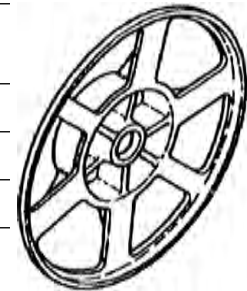
Handrail Drive Components

# OTIS

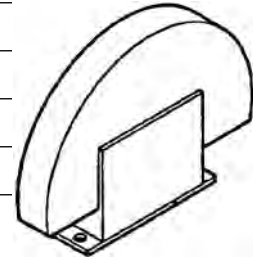
## 510 Escalators and Escal-Aires®

Refer to SPLs 55-GO9704AJ, 55-GO9704BR, and 55-9741E

Part No.	Escalator Type	Description
GOA502F1	510 Escal-Aire®	Axle, Handrail Drive Sheave
GO2215AB26	510	Bearing and Rings Kit, Handrail Drive, Upper and Lower End
GO2215AB23	510, 510 Escal-Aire®	Bearings (Roller) and Rings Kit, Handrail Drive
GO9704BR2	510 Escal-Aire®	Handrail Drive, Complete with 2 V-Belt Pulleys & Belt
GO260R4	510 Escal-Aire®	Poly V-Belt, Black, 11 ft. (3,35 M) Long
GO260R3	510 Escal-Aire®	Poly V-Belt, White, 11 ft. (3,35 M) Long
GO2215AB9	510 Escal-Aire®, 606	Pulley, V-Belt, Complete with Bearings and Rings
GO2215AB19	510	Sheave, Complete with Sprocket & Bearings, Handrail Drive, Upper End
GO2215AB27	510	Sheave, Handrail Drive, Complete with Bearings, Lower End
GO265AG3	510	Sheave, Handrail Drive, Lower End
GO265AH3	510	Sheave, Handrail Drive, Upper End
GOA265A4	510 Escal-Aire®	Sheave, Handrail Drive, 1.4 in. Wide
90HD13	510 Escal-Aire®	Spring, for Handrail Drive Tensioner
GO2215AB24	510	Sprocket, Chain, Handrail Drive, Idler, 19 Teeth, Early Vintage
GO2215AS7	510	Tension Box
GO385EP1	510	Tension Box. For broken drive chain switch device.
GO385EK1	510	Tension Box. For handrail drive chain.
GO2215AB28	510 Escal-Aire®	Wheel, Handrail Drive, Complete with Roller Bearing Assembly, Sprocket, & Axle

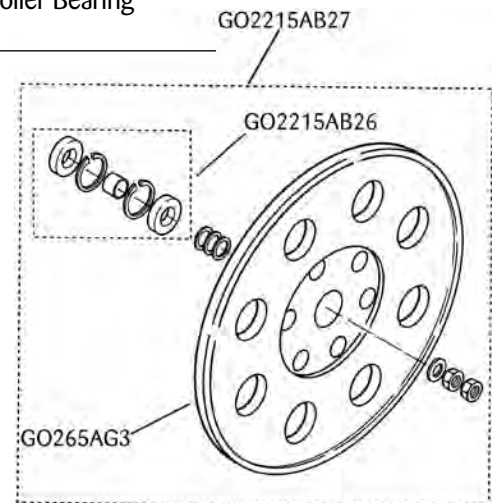
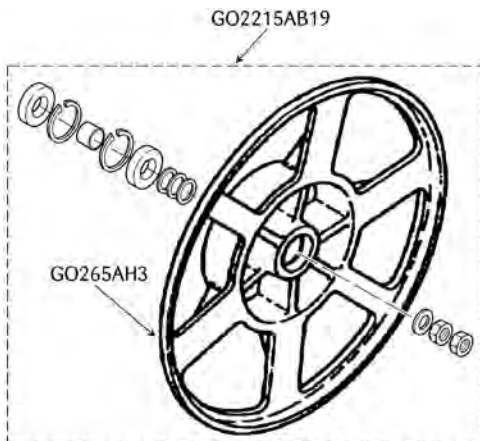


**GOA265A4**



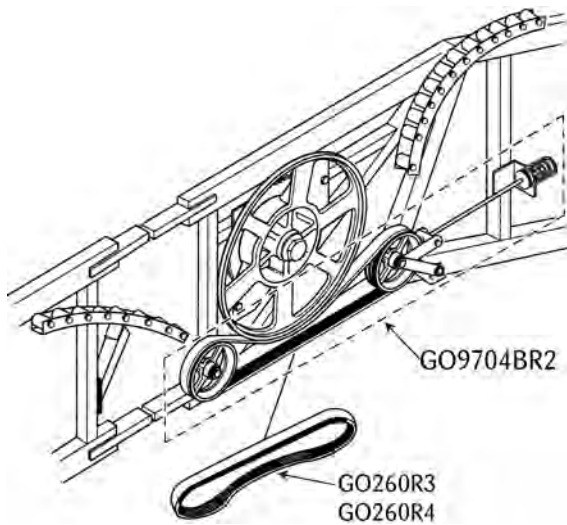
**GO2215AS7**

© Otis Elevator, January 2008

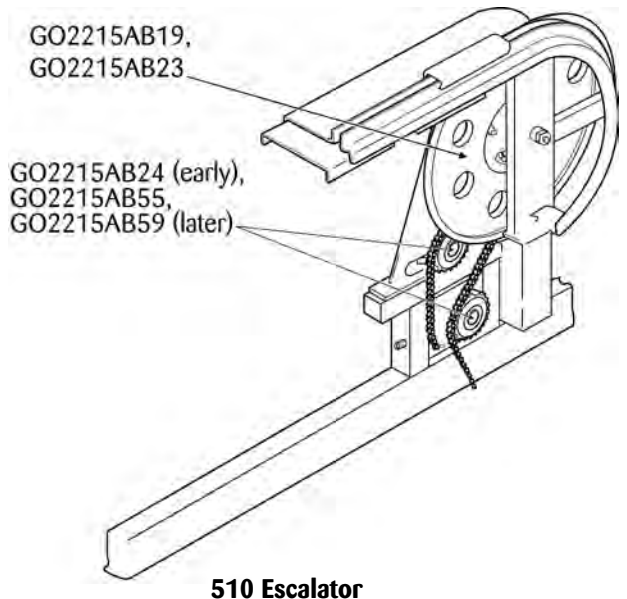


# ESCALATOR PARTS

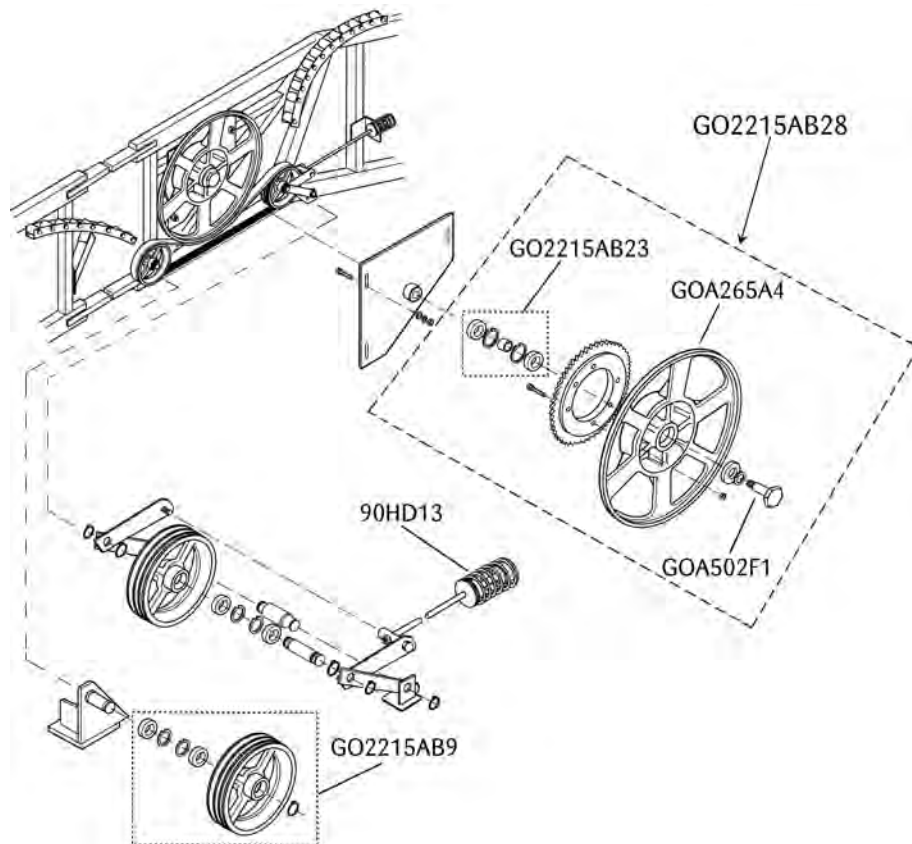
© Otis Elevator, January 2008



510 Escal-Aire®



510 Escalator



510 Escal-Aire®

North America: (800) 600 - 6847 • Fax (860) 286 - 1605  
Elsewhere: (860) 242-3632 • Fax (860) 286 - 1657

Handrail Drive Components

# OTIS



## J Escalators and Escal-Aires®

Refer to SPL C-1104 (in component code 55)

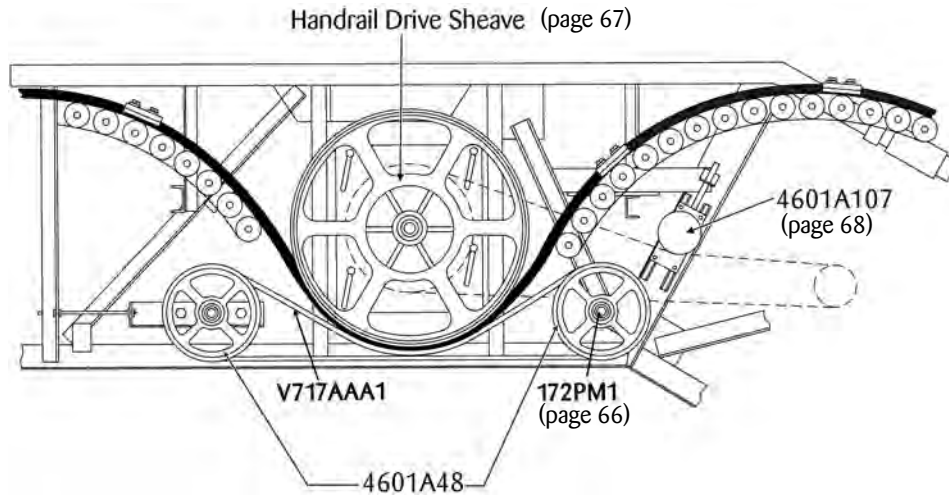
Part No.	Escalator Type	Description
GO338AL1	J Escal-Aire®	Adjusting Rod, Handrail Drive Tension Device
207Z19	J	Bearing, Ball, 3.15 in. (80 mm) OD. For upper newel and Escal-Aire® handrail drive sheave.
207Z70	J	Bearing, Ball, 2 in. (51 mm) OD. For handrail chain tension sprockets.
207Z18	J	Bearing, Ball. For lower landing newel wheel.
207Z67	J, J Escal-Aire®	Bearing, Ball. For chain tension sprocket YXGOA195BG1.
207Z66	J Escal-Aire®	Bearing, Ball. For sheave YGOB260J1.
207Z102	J Escal-Aire®	Bearing, Ball, Double-Sealed. For sheave YGOB260J1.
GO56AK1	J, J Escal-Aire®	Bolt, T-Head. For 4601A85.
GO63T4	J	Bolt, T-Head. For handrail tension roller bow.
GO377FJ1	J Escal-Aire®	Bushing, Tube (part of 4601A49 and 4601A50 tension devices). 2 per assembly.
GO299YN1	J Escal-Aire®	Fastening Assembly, with Axle (part of 4601A49 and 4601A50 tension devices)
GO386ASL1	J Escal-Aire®	Plate (part of 4601A49 and 4601A50 tension devices)
YXGO386AKV1	J Escal-Aire®	Plate, Base, Assembly, with Shaft. For 4601A85.
GO386APD1	J	Plate, Base, with 2 Sprocket Shafts, LH
GO386APD2	J	Plate, Base, with 2 Sprocket Shafts, RH
GO386AKW1	J Escal-Aire®	Plate, Shaft. Used for 4601A107 tension device.
V717AAA1	J Escal-Aire®	Poly V-Belt, 147 in. (3733 mm) Long
YGOB260J1	J Escal-Aire®	Pulley, Sheave V-Belt, 12.60 in. (320 mm) OD (upper level with bearings is part number 4601A48)
4601A48	J Escal-Aire®	Pulley, V-Belt, with Bearings Kit
172PM9	J	Retaining Ring, External. For handrail drive chain tension sprocket shafts.
172PM3	J	Retaining Ring, Internal. For 207Z19 ball bearing for upper newel and Escal-Aire® handrail drive sheave.
172PM2	J, J Escal-Aire®	Retaining Ring, Internal. For 207Z70 ball bearing for handrail chain tension sprockets and for YXGOA195BF1 handrail chain tension sprocket bore.
172PM1	J	Retaining Ring. For 207Z18 ball bearing for lower landing newel wheel and V-belt pulley bore.

© Otis Elevator, January 2008

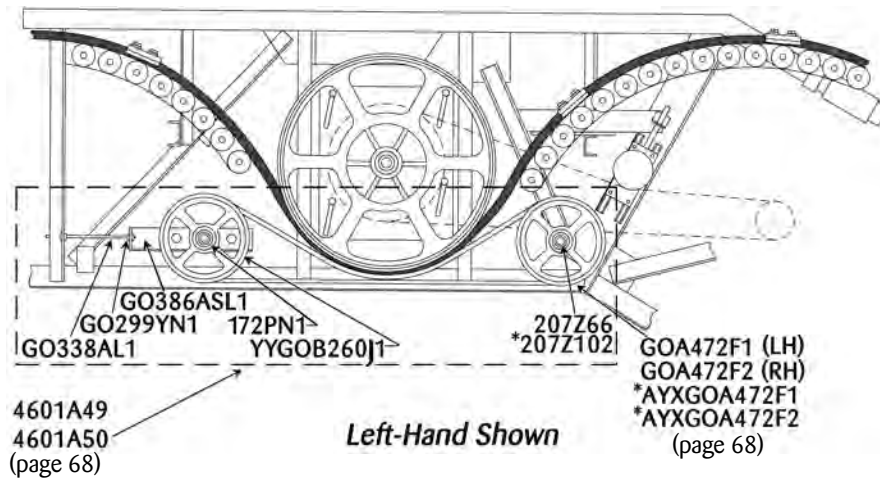


# ESCALATOR PARTS

©Otis Elevator, January 2008



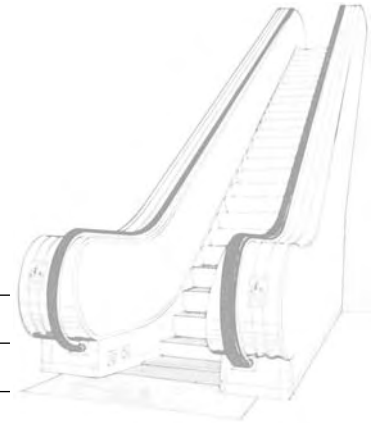
**J Escal-Aires®**



\*Denotes later-vintage parts



# OTIS



## J Escalators and Escal-Aires® (continued)

Part No.	Escalator Type	Description
172PN1	J Escal-Aire®	Retaining Ring. For V-belt pulley shaft.
172PN2	J, J Escal-Aire®	Retaining Ring. For YXGOA195BG1 handrail chain tension sprocket.
4601A46	J Escal-Aire®	Shaft Kit, Handrail Drive, LH, with Bearing, without Sheave 4605A25
4601A47	J Escal-Aire®	Shaft Kit, Handrail Drive, RH, with Bearing, without Sheave 4605A25
YXGOA265C1	J	Sheave, Handrail Deflector. For lower landing mounting handrail drive sheave (newel).
4605A24	J	Sheave, Handrail Drive, 1 in. (25 mm) Wide, with Sprocket Assembly, without Bearings/Rings.
4605A25	J, J Escal-Aire®	Sheave, Handrail Drive, 1.4 in. (36 mm) Wide, with Sprocket Assembly, without Bearings/Rings
GOA265A4	J, J Escal-Aire®	Sheave, Newel and Handrail Drive (Escalator Upper Landing), 1.4 in. Wide
YXGOA265A4	J	Sheave, Newel Handrail, Upper Landing, 1 in. (25 mm) Wide
GO255EG7	J, J Escal-Aire®	Shim (in 4601A85 countershaft tension device)
GO255BP30	J Escal-Aire®	Shim, 0,5 mm. For mounting handrail drive wheels 4605A25, 4605A46, 4605A47.
GO255BP29	J Escal-Aire®	Shim, 1 mm. For mounting handrail drive wheels 4605A25, 4605A46, 4605A47.
GO255BP54	J	Shim, Short (0,5 mm). For upper landing mounting handrail drive wheel.
GO255BP53	J	Shim, Short (1 mm). For upper landing mounting handrail drive wheel.
GO462AE2	J	Spacer, Bearing Inner Race. For lower landing mounting handrail drive wheel.
GO462AF1	J, J Escal-Aire®	Spacer, Bearing Inner Race. For upper landing mounting handrail drive wheel.
YXGOA195BF1	J, J Escal-Aire®	Sprocket, 20 Teeth, Idler. For handrail chain tension devices.
YXGO195BL1	J, J Escal-Aire®	Sprocket, 68 Teeth. For upper landing mounting handrail drive sheave and handrail drive.

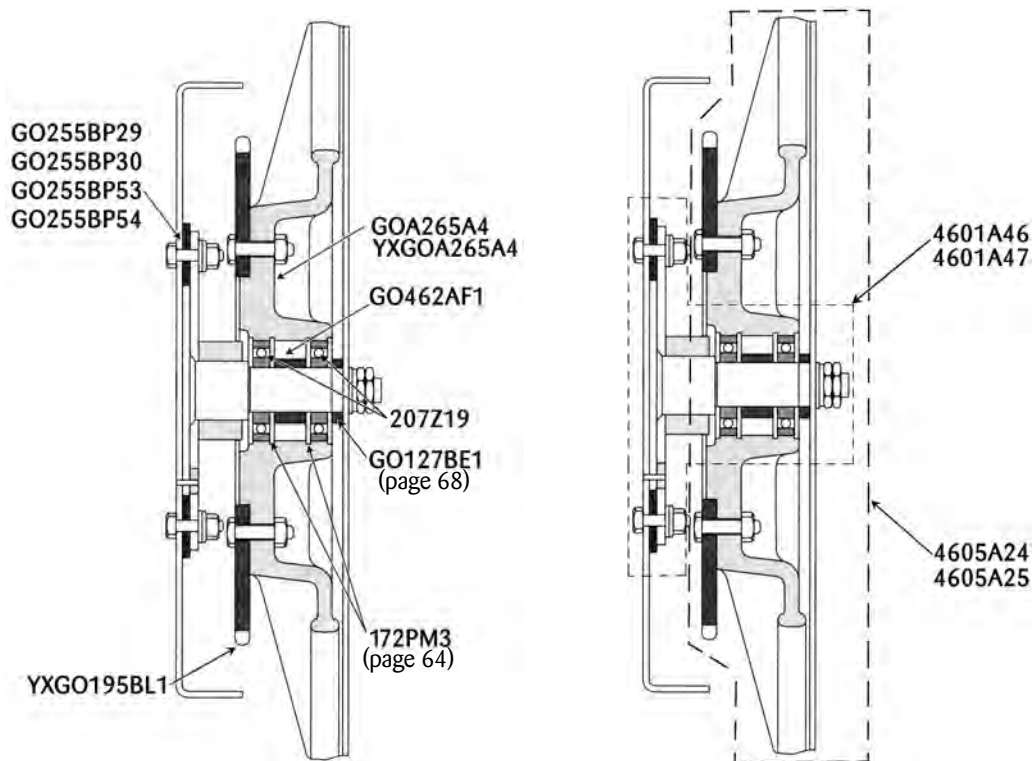
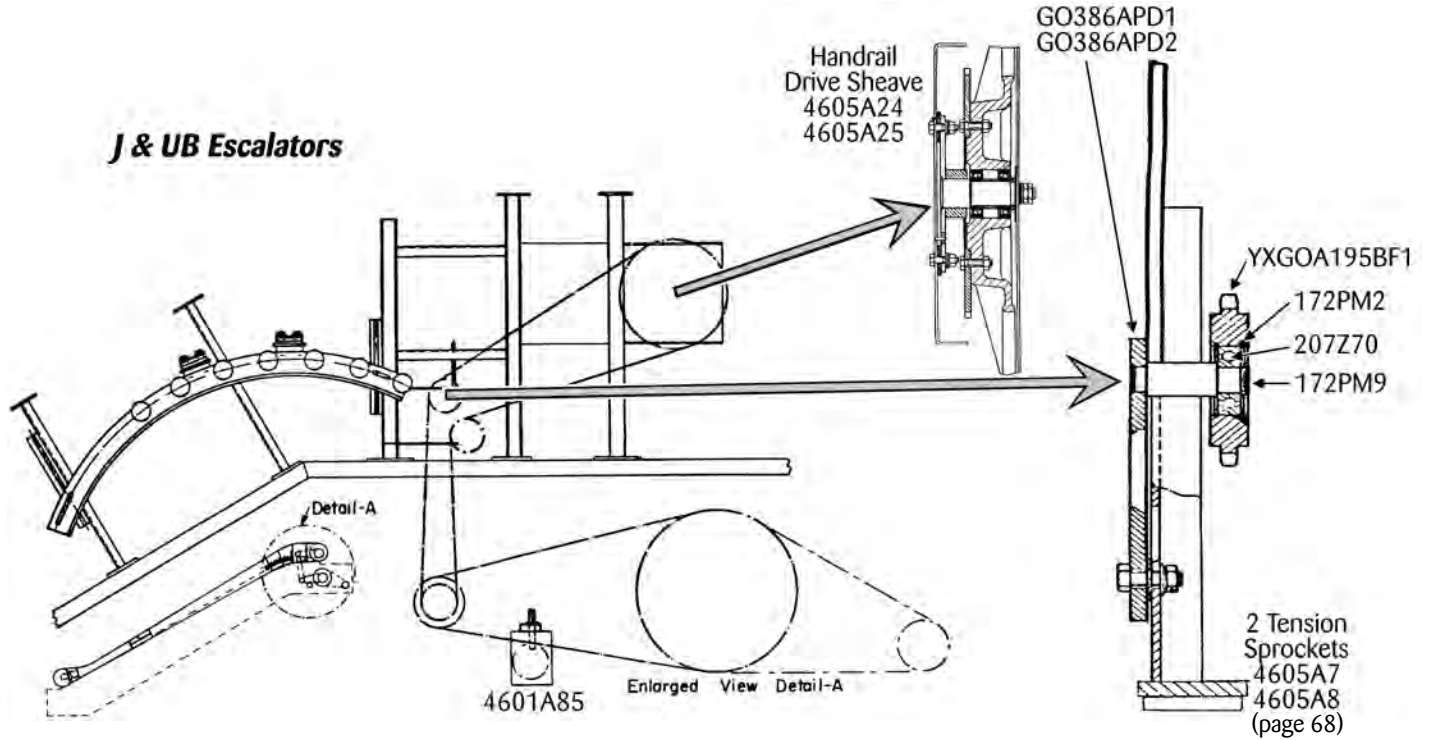
© Otis Elevator, January 2008



# ESCALATOR PARTS

© Otis Elevator, January 2008

## J & UB Escalators



## J Escalators, Upper Newel J Escal-Aires®, Handrail Drive Sheave Assembly

North America: (800) 600 - 6847 • Fax (860) 286 - 1605  
Elsewhere: (860) 242-3632 • Fax (860) 286 - 1657

Handrail Drive Components

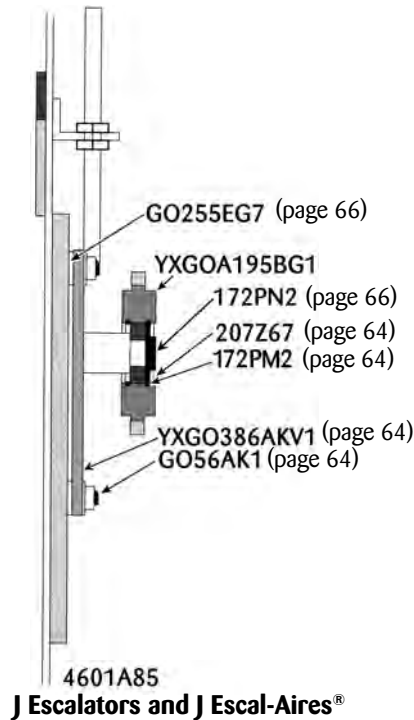
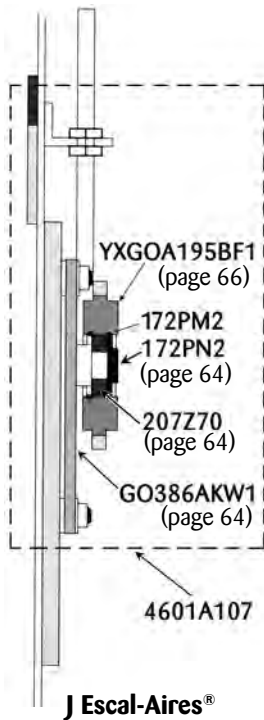
# OTIS



## J Escalators and Escal-Aires® (continued)

Part No.	Escalator Type	Description
YXGOA195BG1	J, J Escal-Aire®	Sprocket, Chain Tension, 19 Teeth (in 4601A85 countershaft tension device)
GOA472F1	J Escal-Aire®	Stand, with Shaft, LH (part of 4601A49 tension device)
GOA472F2	J Escal-Aire®	Stand, with Shaft, RH (part of 4601A50 tension device)
AYXGOA472F1	J Escal-Aire®	Stand, with Shaft, LH (part of 4601A49 tension device). Later vintage.
AYXGOA472F2	J Escal-Aire®	Stand, with Shaft, RH (part of 4601A50 tension device). Later vintage.
4601A85	J, J Escal-Aire®	Tension Device, Countershaft Chain
4601A107	J Escal-Aire®	Tension Device, Handrail Drive Chain LH and RH, Complete
4601A49	J Escal-Aire®	Tension Device, without Belt, LH. For V-belt sheave.
4601A50	J Escal-Aire®	Tension Device, without Belt, RH. For V-belt sheave.
4605A7	J	Tension Stand, Handrail Drive, LH. Includes 2 sprockets.
4605A8	J	Tension Stand, Handrail Drive, RH. Includes 2 sprockets.
GO127CG1	J Escal-Aire®	Washer, Spring Seat (part of 4601A49 and 4601A50 tension devices). 2 per assembly.
GO127BE1	J Escal-Aire®	Washer, Thrust. For upper landing mounting handrail drive sheave.

© Otis Elevator, January 2008





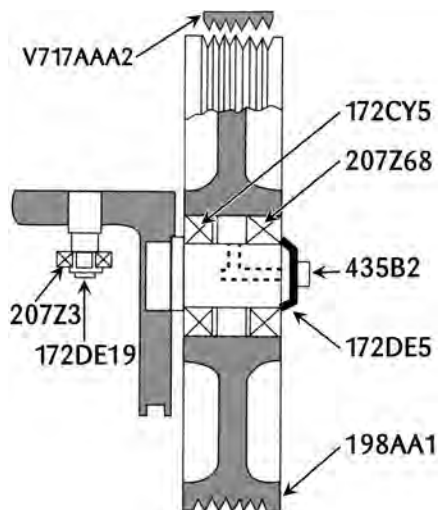
# ESCALATOR PARTS

## R, RB, and RBC Escalators and Escal-Aires®

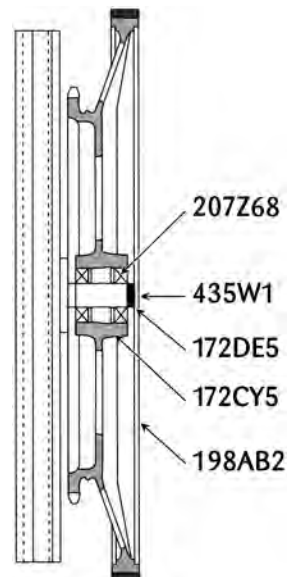
Refer to SPLs C-970F (in component code 50), C-1087, and C-1088 (in component code 55)

Part No.	Escalator Type	Description
207Z18	R, RB, RBC	Ball Bearing, 2.44 in. (61,98 mm) OD. For handrail chain tension sprocket. Order 2 per assembly.
207Z68	R, RB, RBC	Ball Bearing, 3.15 in. (80 mm) OD. For handrail drive pulley and upper newel.
207Z3	RBC	Bearing, Ball (for Escal-Aire® Pressure Belt Pulley/Tension Device)
435W1	R, RB, RBC	Fitting, Lubricator
435B2	RBC	Lubricator, Fitting (for Escal-Aire® Pressure Belt Pulley/Tension Device)
A105BK1	R, RB	Plate, Base, with 2 Pins, LH
C105BK1	RBC	Plate, Base, with 2 Pins, LH
A105BK2	R, RB	Plate, Base, with 2 Pins, RH

©Otis Elevator, January 2008



RBC Escal-Aire®



RBC Escalator and RBC Escal-Aire®  
Handrail Drive Pulley

North America: (800) 600 - 6847 • Fax (860) 286 - 1605  
Elsewhere: (860) 242-3632 • Fax (860) 286 - 1657

Handrail Drive Components

73



# OTIS



## R, RB, and RBC Escalators and Escal-Aires® (continued)

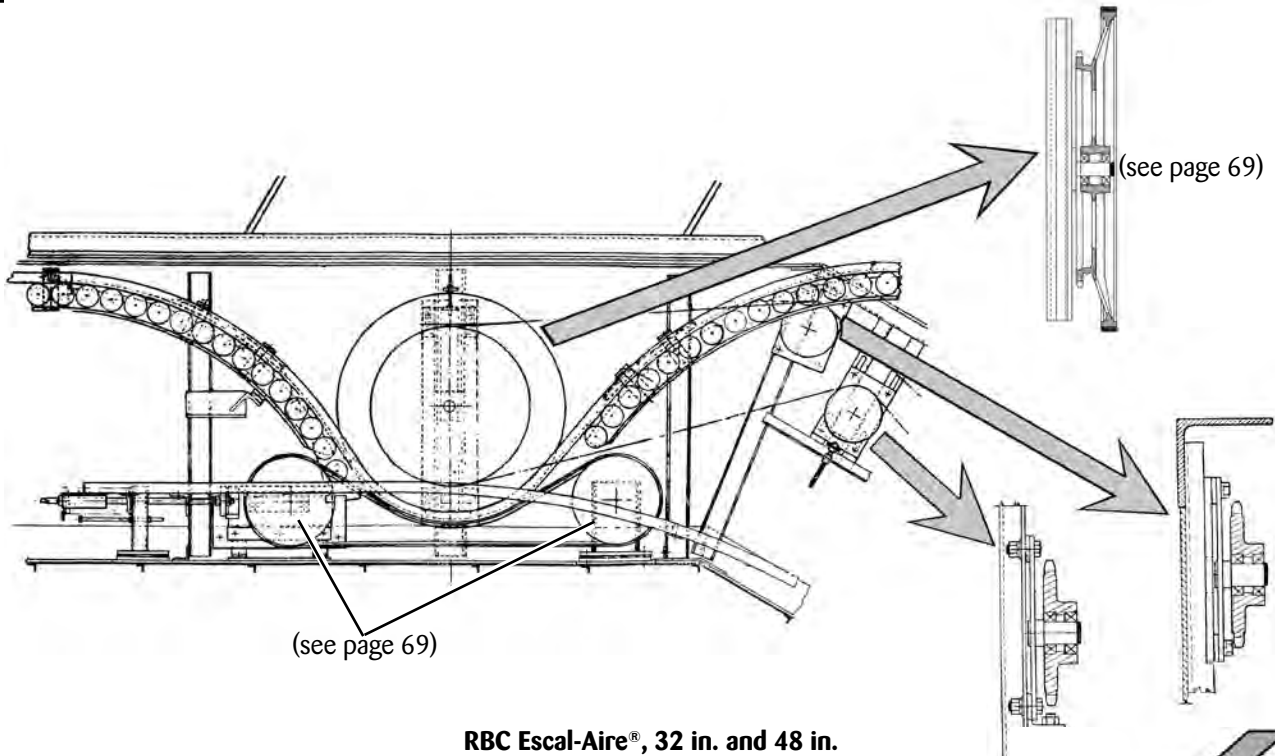
Part No.	Escalator Type	Description
C105BK2	RBC	Plate, Base, with 2 Pins, RH
V717AAA2	RBC Escal-Aire®	Poly V-Belt, 131 in. (3327,4 mm) Long
198AB2	RBC, RBC Escal-Aire®	Pulley, Handrail Drive with Rubber Tire and with Integral 68-Tooth Sprocket
198AA1	RBC Escal-Aire®	Pulley, V-Drive (for Escal-Aire® Pressure Belt Pulley/Tension Device)
172DE4	R, RB, RBC	Ring, External Retaining. For 195BZ1 and 195FW1 sprocket shafts (1 per assembly).
172DE5	R, RB, RBC	Ring, External Retaining. For handrail drive sheave shaft.
172CY5	R, RB, RBC	Ring, Internal Retaining. For 207Z68 ball bearing (2 per assembly).
172DE19	RBC	Ring, Retaining, for Ball Bearing 207Z3 (for Escal-Aire® Pressure Belt Pulley/Tension Device)
265AW1	R, RB	Sheave, Newel Handrail, Upper End, without Sprocket
195BZ1	R, RB	Sprocket, Chain Tension Idler, 24 Teeth, 6-1/8 in. Diameter. Order 2 per side.
195FW1	RBC, RBC Escal-Aire®	Sprocket, Chain Tension Idler, 24 Teeth, 8-3/16 in. Diameter. Order 2 per side.
195CB1	R, RB	Sprocket, Handrail Drive, 68 Teeth. Mounts to 265AW1 sheave.

© Otis Elevator, January 2008

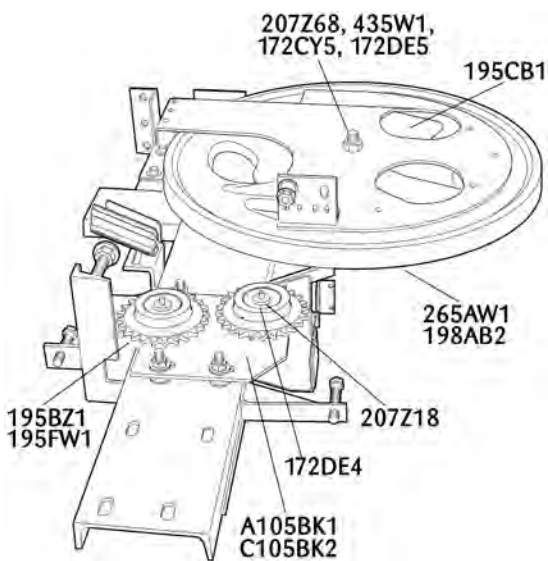


# ESCALATOR PARTS

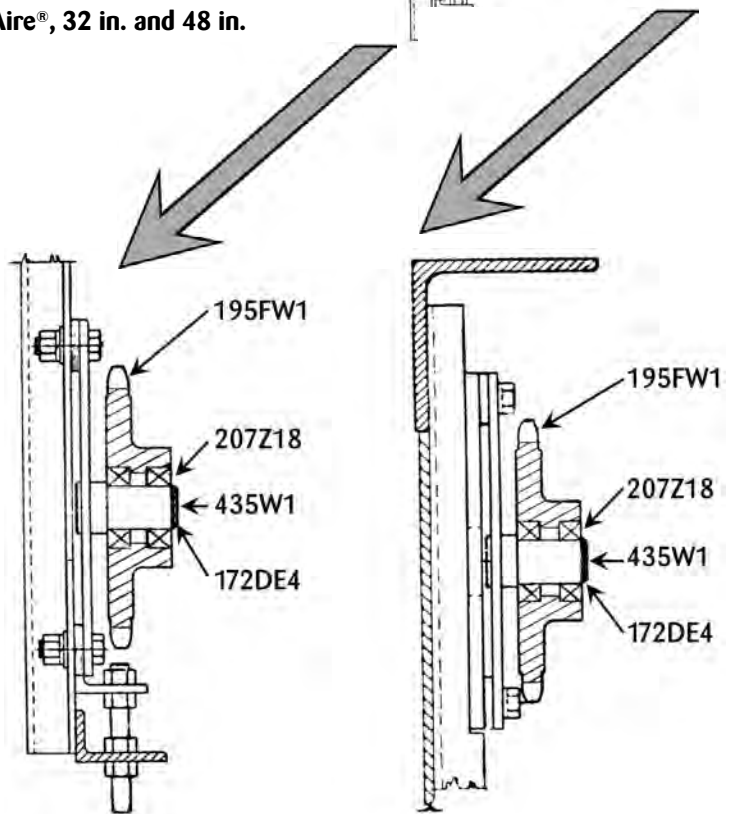
© Otis Elevator, January 2008



RBC Escal-Aire®, 32 in. and 48 in.



R, RB, and RBC Escalators  
Upper Newel



RBC Escal-Aire®, 32 in. and 48 in.

North America: (800) 600 - 6847 • Fax (860) 286 - 1605  
Elsewhere: (860) 242-3632 • Fax (860) 286 - 1657

Handrail Drive Components

# OTIS



## UB and UBSL Escalators and Escal-Aires®

Refer to SPLs 55-BAA26220G, C-1103, and C-1104 (in component code 55)

Part No.	Escalator Type	Description
207Z19	UBSL	Ball Bearing, 3.15 in. (80 mm) OD. For upper newel and Escal-Aire® handrail drive sheave.
207Z102	UBSL	Bearing (two) for V-Belt Sheave. Replaces BX207Z500.
BAA265A2	UBSL	Handrail Drive Wheel
GO260R4	UB	Poly V-Belt, Black, 11 ft. (3,35 M) Long
GO260R2	UB, UBSL	Poly V-Belt, Black, 12.25 ft. (3,7 M) Long, 2.3 in. (56 mm) Wide. Use for black handrails.
GO260R3	UB	Poly V-Belt, White, 11 ft. (3,35 M) Long
GO260R1	UB, UBSL	Poly V-Belt, White, 12.25 ft. (3,7 M) Long, 2.3 in. (56 mm) Wide. Use for colored handrails.
YYGOB260J1	UB	Pulley, Sheave V-Belt, 12.60 in. (320 mm) OD (upper level with bearings is part number 4601A48)
GO2215AB9	UB	Pulley, V-Belt, Complete with Bearings and Rings
BAA260B1	UBSL	Pulley, V-Belt. Order 2 per escalator.
4601A46	UBSL	Shaft Kit, Handrail Drive, LH, with Bearing, without Sheave 4605A25. See illustration on page 67 for application and kit contents.
4601A47	UBSL	Shaft Kit, Handrail Drive, RH, with Bearing, without Sheave 4605A25. See illustration on page 67 for application and kit contents.
YXGOA265C1	UB	Sheave, Handrail Deflector. For lower landing mounting handrail drive sheave (newel).
GOA265A4	UB, UB Escal-Aire®	Sheave, Newel and Handrail Drive (Escalator Upper Landing), 1.4 in. Wide
YXGOA195BF1	UB	Sprocket, 20 Teeth, Idler. For handrail chain tension devices.
YXGO195BL1	UB	Sprocket, 68 Teeth. For upper landing mounting handrail drive sheave and handrail drive.
YXGOA195BG1	UB, UB Escal-Aire®	Sprocket, Chain Tension, 19 Teeth (in 4601A85 countershaft tension device)
4601A107	UB Escal-Aire®	Tension Device, Handrail Drive Chain LH and RH, Complete
4605A7	UB	Tension Stand, Handrail Drive, LH. Includes 2 sprockets.
4605A8	UB	Tension Stand, Handrail Drive, RH. Includes 2 sprockets.

© Otis Elevator, January 2008

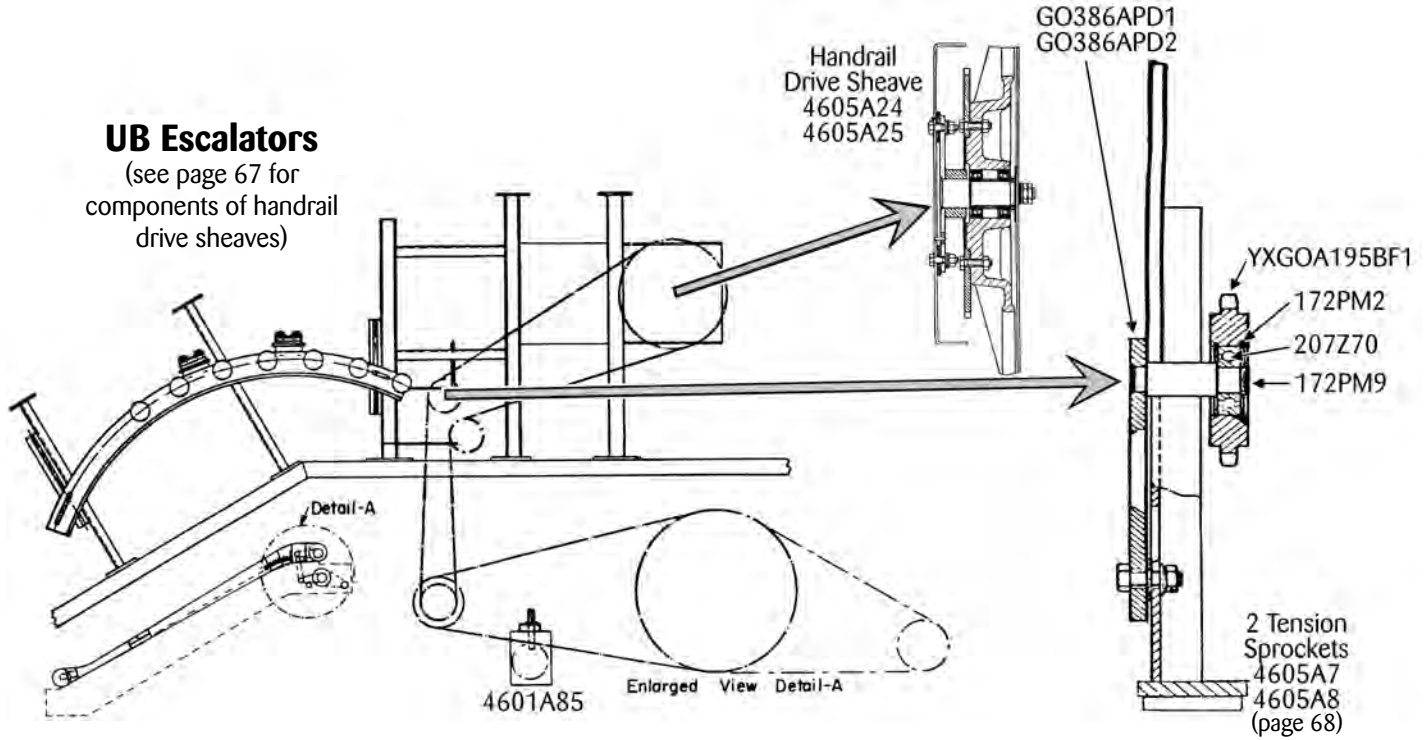


# ESCALATOR PARTS

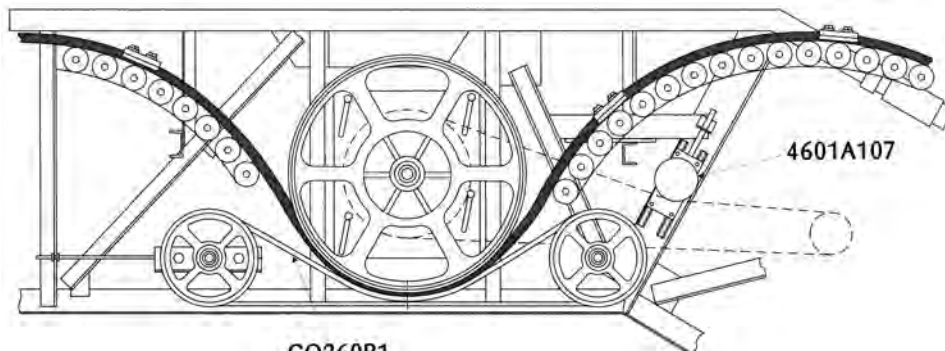
## UB Escalators

(see page 67 for components of handrail drive sheaves)

© Otis Elevator, January 2008



**BAA265A2  
(UBSL)**



**GO260R1  
GO260R2**

**UB Escal-Aire®**

North America: (800) 600 - 6847 • Fax (860) 286 - 1605  
Elsewhere: (860) 242-3632 • Fax (860) 286 - 1657

**Handrail Drive Components**



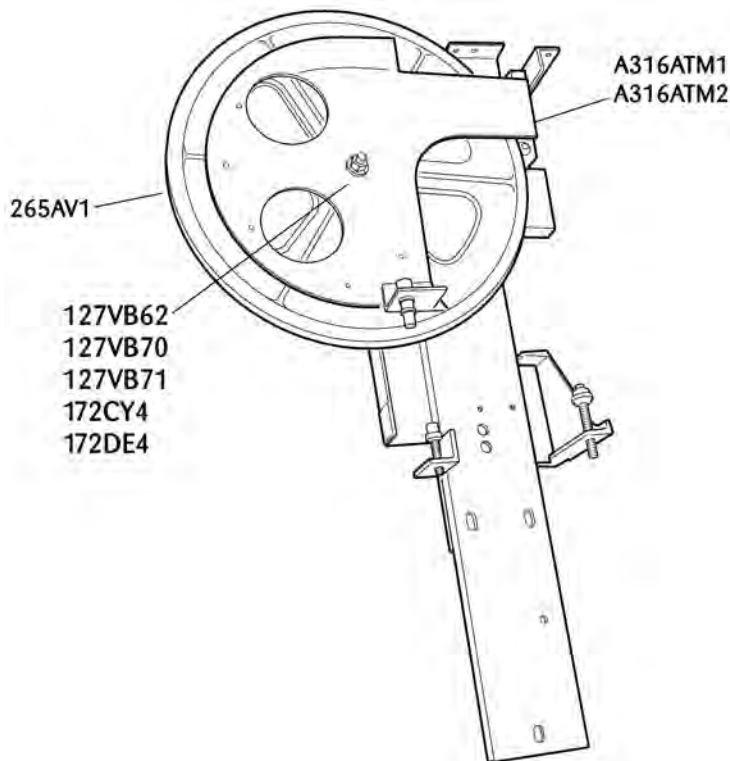
# OTIS



## Newel Stand (Idler, Lower End)

Refer to SPLs C-970F (c.c. 50), C-1087, and C-1088 (c.c. 55)

Part No.	Escalator Type	Description
207Z18	R, RB, RBC	Ball Bearing, 2.44 in. (62 mm) OD (2 per sheave)
A316ATM2	R, RB, RBC	Bracket, Ballustrade, LH <b>NOTE:</b> This item requires special order.
A316ATM1	R, RB, RBC	Bracket, Ballustrade, RH <b>NOTE:</b> This item requires special order.
172DE4	R, RB, RBC	Retaining Ring. For shaft (1 per assembly).
172CY4	R, RB, RBC	Ring, Internal Retaining. For 207Z18 ball bearing (2 per assembly).
265AV1	R, RB, RBC	Sheave, Newel Handrail, Cast Iron <b>NOTE:</b> This item requires special order.
127VB62	RBC	Washer, 0.65 in. ID, 0.25 in. Thick
127VB70	R, RB, RBC	Washer, 1.2 in. ID, 0.015 in. Thick
127VB71	R, RB	Washer, 1.2 in. ID, 0.03 in. Thick



© Otis Elevator, January 2008



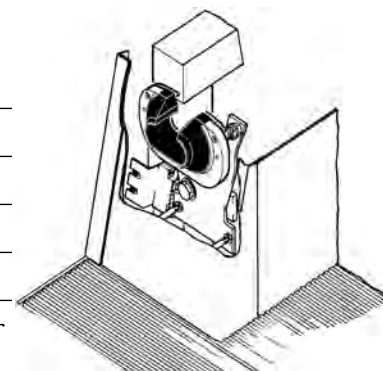
# ESCALATOR PARTS

## Handrail Entry Devices

Refer to SPLs 55-9703JL, 55-AAA26189Q, and C-970F (in component code 50)

(Sorted Alphabetically)

Part No.	Escalator Type	Description
241C1	O	Brush, Handrail Guard. Not available; use A6337P1 for escalators or A6337P2 for Escal-Aires.
241AA1	R, RB	Brush, Handrail Guard. Not available; use A6337P1 for escalators or A6337P2 for Escal-Aires.
336EB1	R, RB, RBC	Clamp, Brush
GO370D1	506	Contact Finger
GO370E1	506	Contact Finger (2 per assembly)
GO338AS1	506	Fork
A384JR1	506, 510, 606, J, RBC, UB	Guard, Handrail (Also serves as replacement for bristle-type guard.)
6337H	O, R, RB, RBC	Guard, Handrail Brush, Complete. Not available; use A6337P1 for escalators or A6337P2 for Escal-Aires.
GAA384JZ1	UBSL	Guard, Handrail Guard Insert Assembly
AAA26189Q2	510	Guard, Handrail, Complete
A6337P1	J, O, R, RB, RBC, UB	Guard, Handrail, with Holder and Hardware
A6337P2	J, RBC, UB Escal-Aire®	Guard, Handrail, with Holder and Hardware
AAA384XJ1	506 SL	Guard, Rubber, Assembly
GO2215D3	506, 606	Guard, Skirt Panel, Handrail Entry Device
AAA26189Q1	506	Handrail Entry Device, Complete
GO180VR2	510	Holder
A180AE1	J, R, RBC, UB	Holder, Handrail Guard
GO180VR1	506, 606	Holder, Handrail Guard Brush
180Z1	R, RB	Holder, Handrail Guard Brush



506 Handrail Entry Device



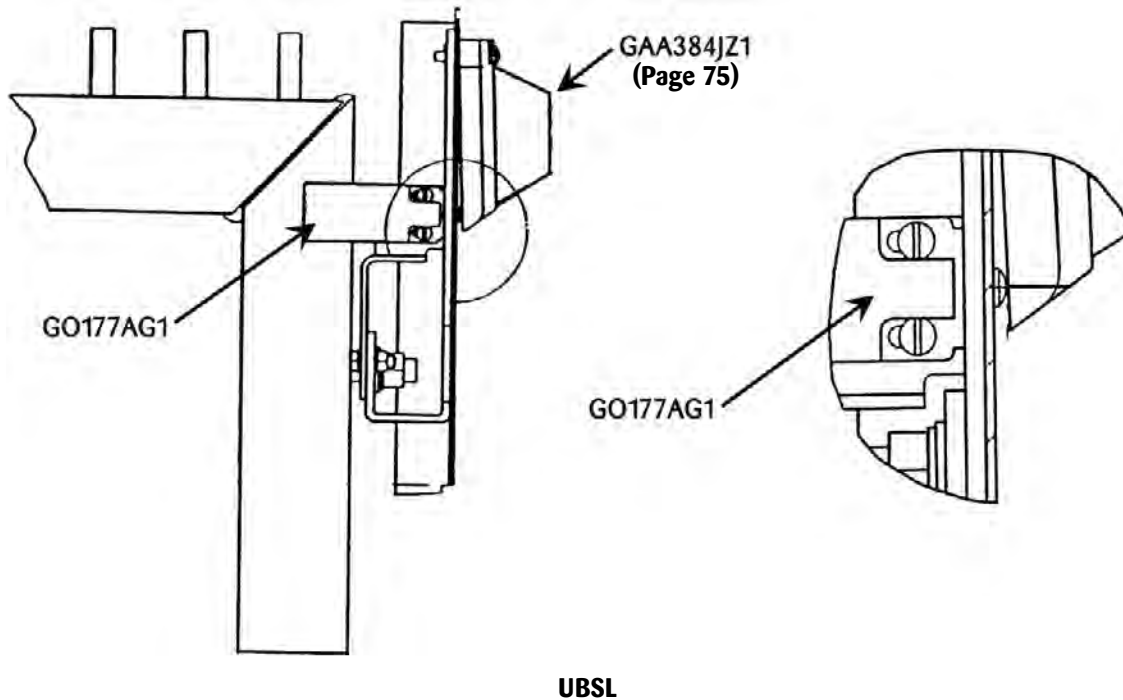
# OTIS



## Handrail Entry Devices (continued)

Refer to SPLs 55-AAA26189Q, C-970F (c.c. 50), and C-1088 (c.c. 55)

Part No.	Escalator Type	Description
AAA22629A1	506 SL	Kit, Guard Assembly
YX9701BE1	J	Kit, Handrail Guard, Consisting of YY9701BG1 Handrail Guard, (2) 386BKP1 Brackets, & 7009A2 Switch, Shims, & Angle
YX9701BE2	J	Kit, Handrail Guard, Consisting of YY9701BG1 Handrail Guard, (2) 386BKP1 Brackets, & 7009A2 Switch
462HA47	J, R, RB, RBC, UB	Spacer
GO2215D4	506, 606	Spring, Handrail Entry Device
GO177AG1	UBSL	Switch, Limit
GAA177EM1	506, 510	Switch, with Manual Reset
GO177AM2	506, 510	Switch, without Manual Reset
127AN1	R, RB, RBC	Washer (2 per assembly)



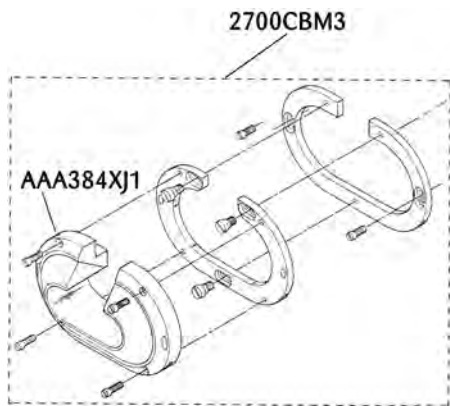
© Otis Elevator, January 2008



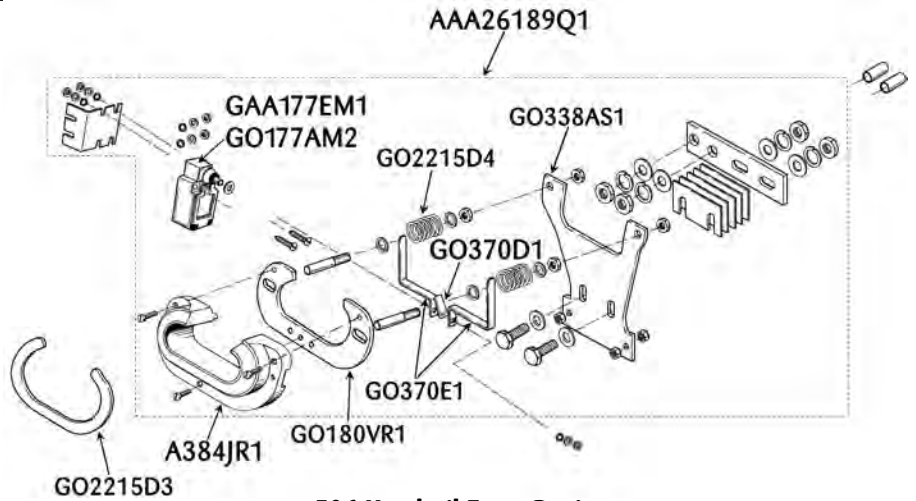


# ESCALATOR PARTS

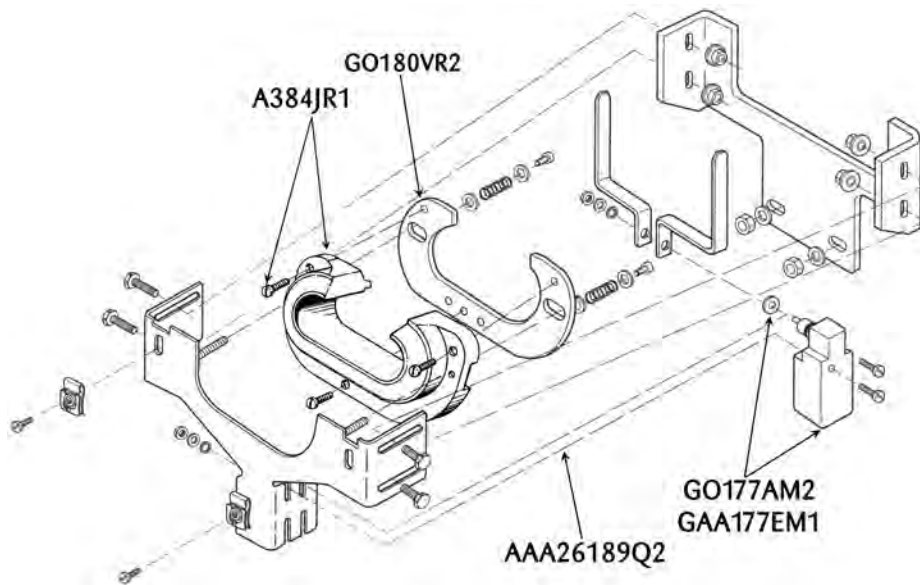
© Otis Elevator, January 2008



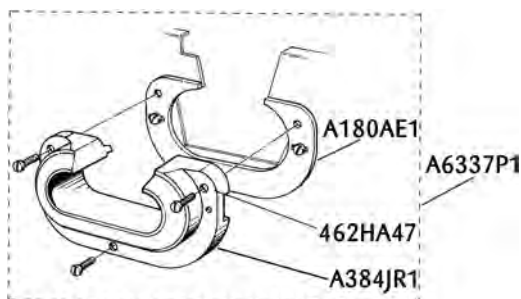
506 SL Handrail Entry Guard



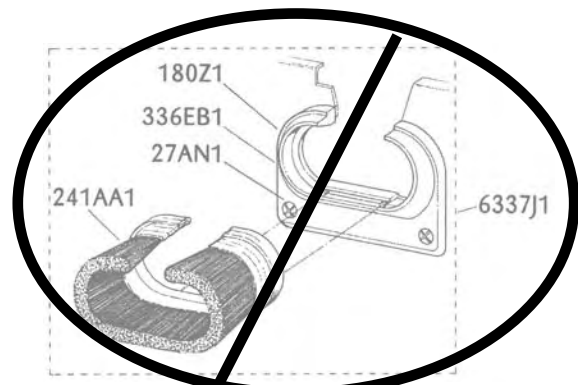
506 Handrail Entry Device



510 Handrail Guard Entry Device



J, R, RB, RBC Handrail Guard



R, RB, RBC Handrail Brush Guard

NOTE: Use A6337P1 or A6337P2.

North America: (800) 600 - 6847 • Fax (860) 286 - 1605  
Elsewhere: (860) 242-3632 • Fax (860) 286 - 1657

Handrail Entry Devices



# OTIS



## Hardware

Refer to SPLs 55-AAA26189Q, 57-BAA26220AA, C-932A (c.c. 53), C-970F (c.c. 50), and C-1103 (c.c. 55)

Part No.	Escalator Type	Description
GO56AA5		Bolt, T-Head w/Nut & Washers, M6 x 41 mm, Sold Singly
GO63T3		Bolt, T-Head, Special, M12 x 67 mm, Sold Singly
ESC-SK493-BR		Knob, Anti-Slide, 3 in. Dia., 1 in. High, Bronze
ESC-SK493-SS		Knob, Anti-Slide, 3 in. Dia., 1 in. High, Stainless Steel
AAA297AK-999	UBSL	Isolation Tape, Protective Tape, 30-ft. Roll
GO2215A3		Nut, Spring, For demarcation inserts on steps, Bag of 36
VP-849884		Screw, Decking, Stainless Steel, M4 x 10 mm, Sold Singly
VP-849887		Screw, Decking, Flat Head, Socket, M4 x 10 mm, Brass, Box of 43
VP-849886		Screw, Decking, Flat Head, Slotted, M4 x 30 mm, Stainless Steel, Box of 100
VP-849889		Screw, Decking, Slotted Flat Head, M6 x 12 mm, Zinc Plated, Sold Singly
VP-849890		Screw, Decking, Phillips Flat Head, M6 x 12 mm, Stainless Steel, Sold Singly
GO124T1		Screw, T-Head, M6 x 12 mm, Sold Singly
GAA65DP21		Screw, T-Head, M6 x 20 mm, Sold Singly
GAA65DP40		Screw, T-Head, M6 x 20 mm, Sold Singly
GAA65DP1		Screw, T-Head, M8 x 20 mm, Sold Singly
GO63Y17		Screw, T-Head, M8 x 20 mm, Sold Singly
GO124T3		Screw, T-Head, M8 x 20 mm, Sold Singly
GAA65DP2		Screw, T-Head, M8 x 33 mm, Sold Singly
GAA65DP37		Screw, T-Head, M8 x 80 mm, Sold Singly
GO65BT3		Screw, T-Head, M12 x 37 mm, Sold Singly
B124FA1	RB	Screw, Tread, Tapered Head. For removable step treads.
AAA94AP1	UBSL	Spring Clip. For securing glass inside handrail/guide.

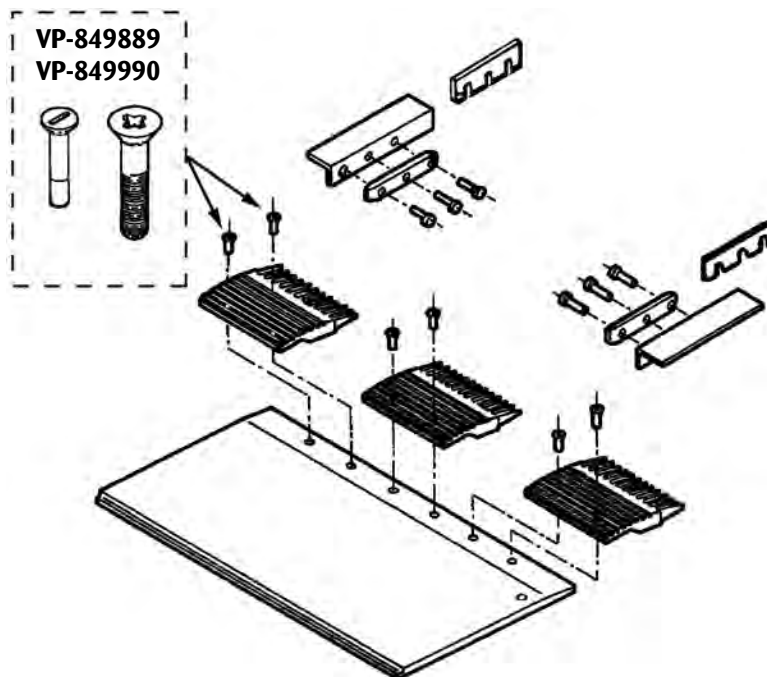
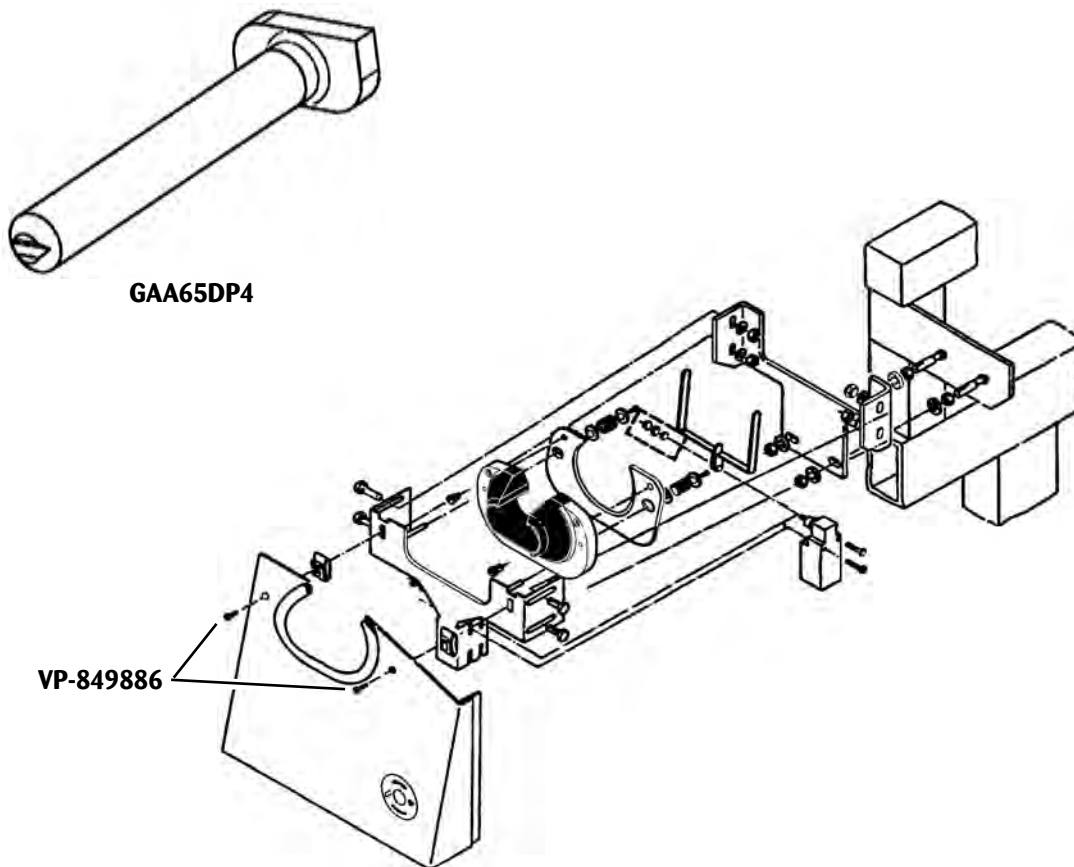
**NOTE:** All T-Bolt lengths are measured from the underside of the head to the end of the bolt.

© Otis Elevator, January 2008



# ESCALATOR PARTS

© Otis Elevator, January 2008

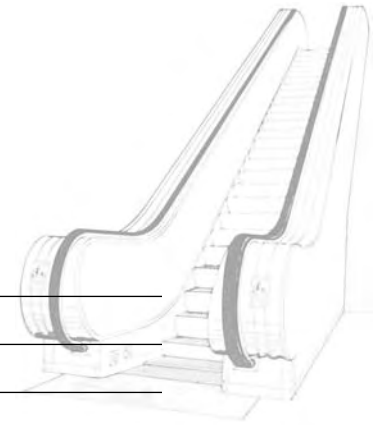


North America: (800) 600 - 6847 • Fax (860) 286 - 1605  
Elsewhere: (860) 242-3632 • Fax (860) 286 - 1657

Hardware



# OTIS



## Keyswitches, Covers, and Buzzers

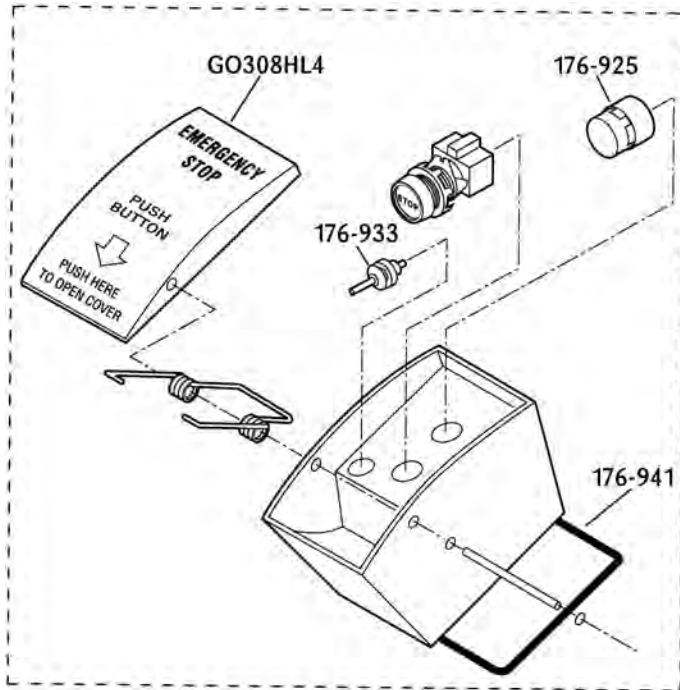
Part No.	Escalator Type	Description
176-925		Buzzer, 220 VAC
176-941		O-Ring
176-933		Switch
GO308HL5	506	Cover, Emergency Stop, with Hardware & English and French Self-Adhesive Labels
GO308HL4	506	Cover, Emergency Stop, with Hardware & English Self-Adhesive Label
9703DM26	506	Emergency Stop Fixture, Complete, 220 VAC, with English & French Self-Adhesive Labels
9703DM4	506	Emergency Stop Fixture, Complete, 220 VAC, with English Self-Adhesive Label
GO102XF2	506	Self-Adhesive Label. For 9703JM1 start key contact.
9703JM1	506	Start Key Contact, Complete (refer to SPLs 32-9703DM & 50-9703JM)
GO329AB1	506 SL	Cap, Cover
GO147KB1	506 SL	Cover, Appearance
2700CBM1	506 SL	Kit, Cover with Labels, English (refer to SPL 32-9703Jj)
2700CBM2	506 SL	Kit, Cover with Labels, French (refer to SPL 32-9703Jj)
9703Jj1	506 SL	Kit, Emergency Stop Button Box, Complete Assembly, English, with Fault Finder Display (refer to SPL 32-9703Jj)
9703Jj3	506 SL	Kit, Emergency Stop Button Box, Complete Assembly, English, without Quick-Check Display (refer to SPL 32-9703Jj)
9703Jj5	506 SL	Kit, Emergency Stop Button Box, Complete Assembly, English. Display reads faults only. (refer to SPL 32-9703Jj)
9703Jj4	506 SL	Kit, Emergency Stop Button Box, Complete Assembly, French, without Quick-Check Display (refer to SPL 32-9703Jj)
9703Jj6	506 SL	Kit, Emergency Stop Button Box, Complete Assembly, French. Display reads faults only. (refer to SPL 32-9703Jj)
9703FE2	506 SL	LED Display, Quick-Check, with Logo, 5 x 7 Dot Matrix, with Cable & Hardware, 10 VDC. For 9703Jj1. (refer to SPL 32-9703Jj)
9703FE3	506 SL	LED Display, Quick-Check, without Logo, 5 x 7 Dot Matrix, with Cable & Hardware, 10 VDC. For 9703Jj1. (refer to SPL 32-9703Jj)
AAA92BB1	506 SL	Spring
SWT-U811MY3ZGE	506 SL	Switch

© Otis Elevator, January 2008

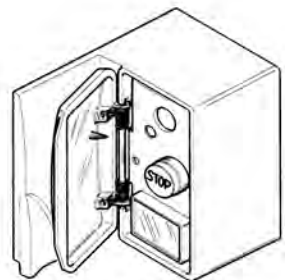
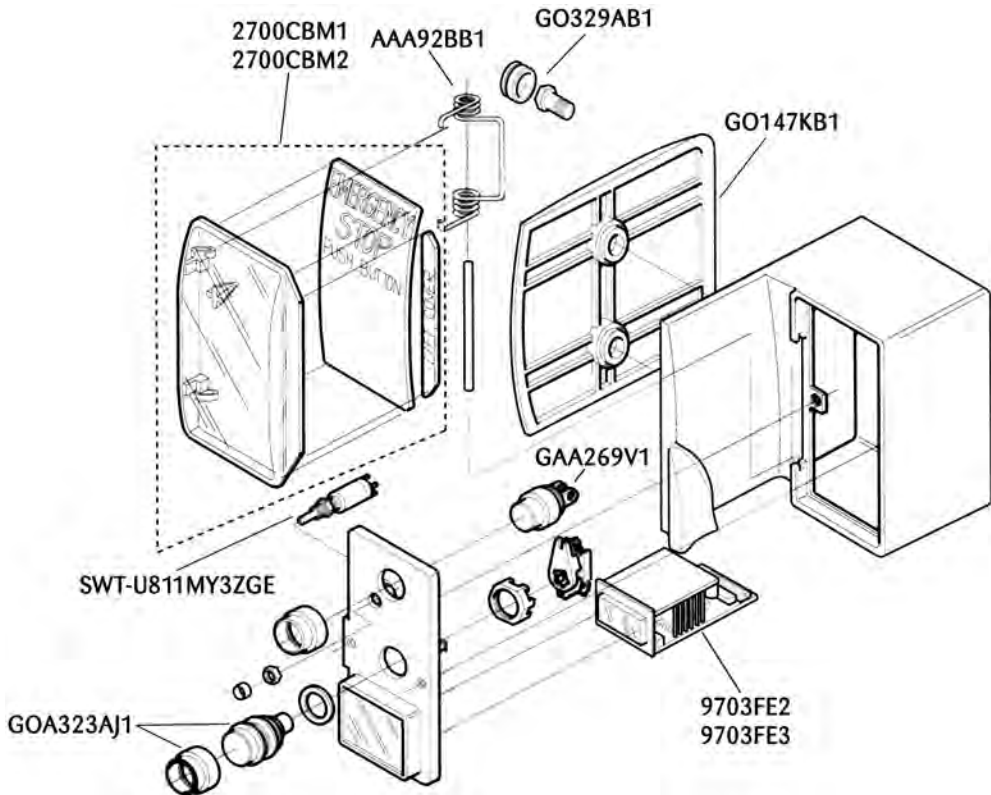


# ESCALATOR PARTS

© Otis Elevator, January 2008



506 Escal-Aire®



9703JJ3  
9703JJ4  
9703JJ5  
9703JJ6

506 SL Escal-Aire®

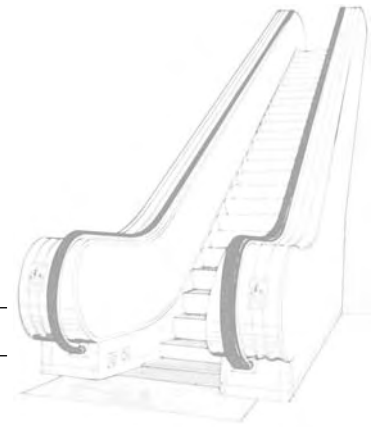
North America: (800) 600 - 6847 • Fax (860) 286 - 1605  
Elsewhere: (860) 242-3632 • Fax (860) 286 - 1657

Keyswitches



85

# OTIS



## Keyswitches, Covers, and Buzzers (continued)

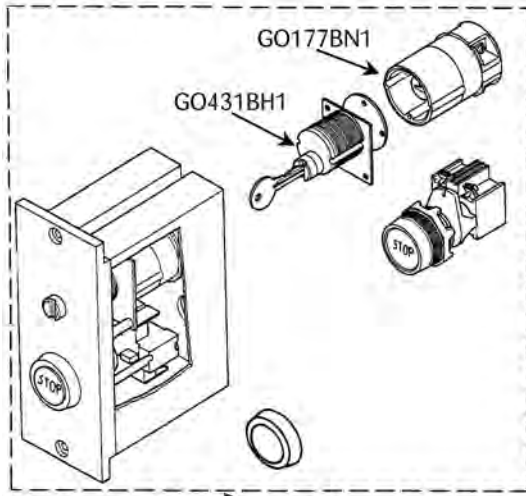
Part No.	Escalator Type	Description
GAA269V1	506, 506 SL	Buzzer, 24 VAC. For 9703DM4, 9703DM26, 9703JJ1, and 9703JJ3. Formerly p/n BUZZER-11806815.
GOA323AJ1	506, 506 SL, 510, 606	Pushbutton, Stop, Red. For N9703BE1, 9703DM4, 9703DM26, 9703JJ1, and 9703JJ3.
GO471ER7	506, 510	Stand, Stop Switch Mounting, Concentric Newel, Bronze Satin Finish
GO471ER1	506, 510	Stand, Stop Switch Mounting, Concentric Newel, Chromium Nickel Finish
GO308HA2	506, 510, 606	Box, Compact. For A9703BE2.
GO308HA1	506, 510, 606	Box, Compact. For N9703BE1.
N9703BE1	506, 510, 606	Button Fixture, Complete, with Stop Button and Keyswitch. Formerly p/n A9703BE1.
A9703BE2	506, 510, 606	Button Fixture, Complete, without Stop Button
GO194C1	506, 510, 606	Key. For N9703BE1, A9703BE2, and 9703JM1. Formerly p/n OTISZM686-1.
GO431BH2	506, 510, 606	Keyswitch. For A9703BE2.
GO431BH1	506, 510, 606	Keyswitch. For N9703BE1 and 9703JM1.
GO102RV1	506, 510, 606	Self-Adhesive Label. For A9703BE2.
GO102RT1	506, 510, 606	Self-Adhesive Label. For N9703BE1. Formerly p/n GO102LD1.
GO177BN1	506, 510, 606	Switch. For N9703BE1, A9703BE2, and 9703JM1.
GO471ER12	J Escal-Aire®	Stand, Stop Switch Mounting, Bronze Mirror Finish
GO471ER9	J Escal-Aire®	Stand, Stop Switch Mounting, Bronze Satin Finish
GO471ER3	J Escal-Aire®	Stand, Stop Switch Mounting, Brush Chromium Nickel Finish
GO471ER6	J Escal-Aire®	Stand, Stop Switch Mounting, Mirror Chromium Nickel Finish

© Otis Elevator, January 2008

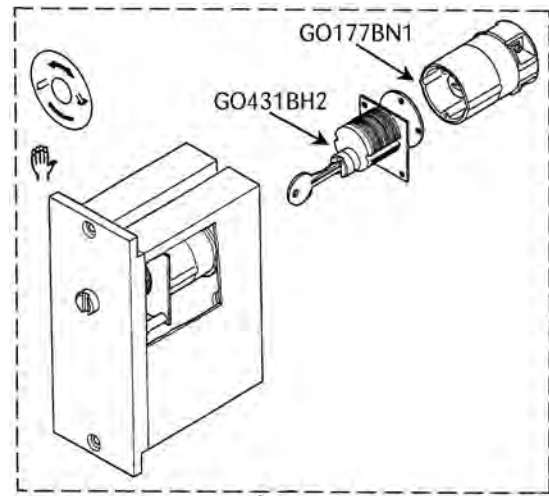


# ESCALATOR PARTS

© Otis Elevator, January 2008

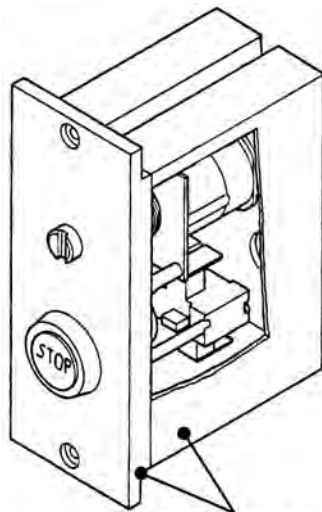


N9703BE1

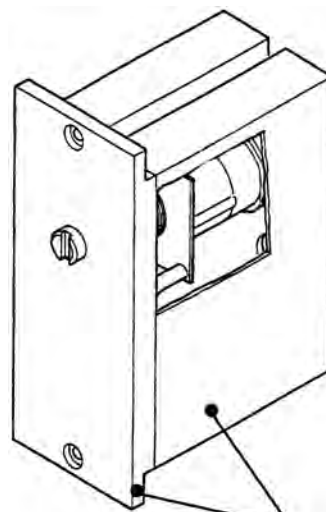


A9703BE2

506, 510, 606



GO308HA1



GO308HA2



GOA323A1

North America: (800) 600 - 6847 • Fax (860) 286 - 1605  
Elsewhere: (860) 242-3632 • Fax (860) 286 - 1657

Keyswitches



# OTIS



## Starting Devices (For New York City Only)

Refer to SPLs 50-AAA26210A, 57-GO308HL, and 57-GOA308HL

Part No.	Escalator Type	Description
AAA26210E1	506 SL	Assembly, Retrofit Start/Stop Device, NYC Code
GO502CV1	506 SL	Axle
AAA308PP1	506 SL	Box
GAA269V1	506 SL	Buzzer, 24 VAC
GO329AB1	506 SL	Cap, Cover
AAA635H2	506 SL	Collar, Mounting (Switch, 1 NC Contact). For stop.
AAA635H1	506 SL	Collar, Mounting (Switch, 1 NO Contact). For start.
GO147KB1	506 SL	Cover, Appearance
AAA346ATZ2	506 SL	Cover, Clear. For over start keyswitch and button.
AAA346ATZ1	506 SL	Cover, Clear. For over stop button.
AAA147PH1	506 SL	Faceplate, Black with White Lettering
AAA635H10	506 SL	Head, Operator, Black. For start.
AAA635H11	506 SL	Head, Operator, Red, Button Marked STOP
AAA194AX1	506 SL	Key
AAA6410AE1	506 SL	Keyswitch, Assembly with 2 Keys
GO102YM1	506 SL	Label, Marked EMERGENCY STOP PUSHBUTTON
GO102YM2	506 SL	Label, Marked LIFT COVER
AAA00431AAC006	506 SL	Lock, with 2 Keys
GO94AM1	506 SL	Spring
AAA635F2	506 SL	Switch, Buzzer
303CX3	506 SL	Terminal Block

© Otis Elevator, January 2008



88

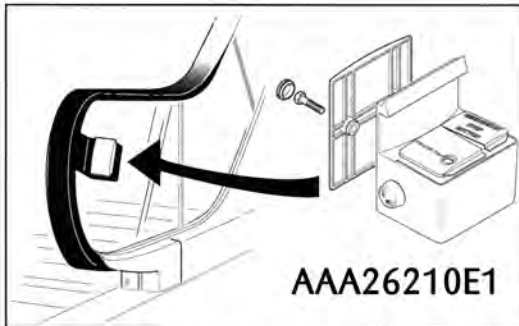
## Keyswitches

North America: (800) 600 - 6847 • Fax (860) 286 - 1605  
Elsewhere: (860) 242-3632 • Fax (860) 286 - 1657

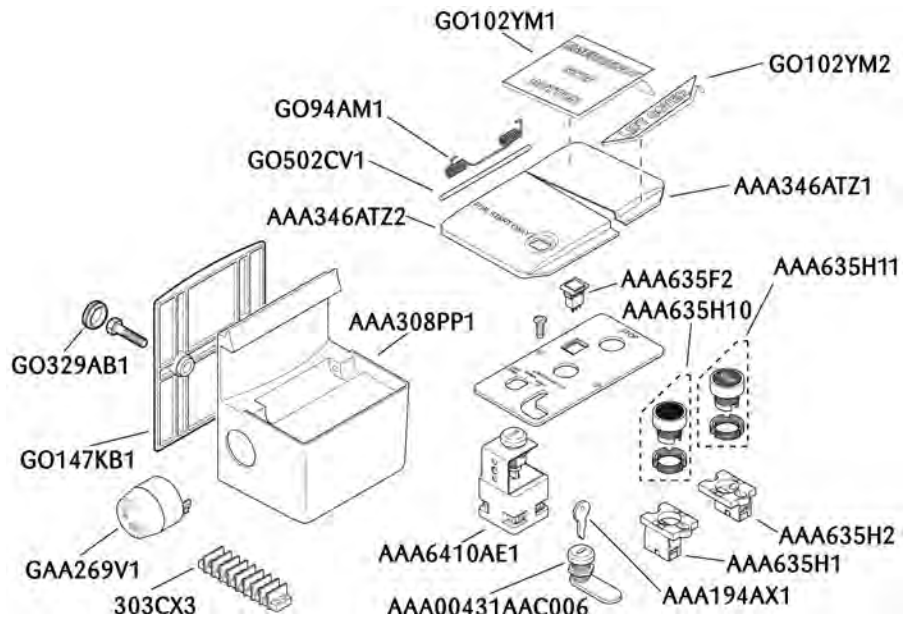


# ESCALATOR PARTS

© Otis Elevator, January 2008



506 SL Escalator & Escal-Aire® Retrofit Starting Device



North America: (800) 600 - 6847 • Fax (860) 286 - 1605  
Elsewhere: (860) 242-3632 • Fax (860) 286 - 1657

Keyswitches



# OTIS



## Starting Devices (For New York City Only) (continued)

Part No.	Escalator Type	Description
CAA26210A1	506, 510, J, RBC, RBD Escalators; 506, 510, J, RA, RB,RBC, RBD Escal-Aires®	Assembly, Retrofit Starting Device
2700AEM1	506, 510, J, RBC, RBD Escalators; 506, 510, J, RA, RB,RBC, RBD Escal-Aires®	Assembly, Retrofit Starting Device, Kit, with Separate Panel-Mounted Stop Button Assembly
CAA308G1	506, 510, J, RBC, RBD Escalators; 506, 510, J, RA, RB,RBC, RBD Escal-Aires®	Box
CAA316AE1	506, 510, J, RBC, RBD Escalators; 506, 510, J, RA, RB,RBC, RBD Escal-Aires®	Bracket
AAA283ALM1	506, 510, J, RBC, RBD Escalators; 506, 510, J, RA, RB,RBC, RBD Escal-Aires®	Bracket
AAA635H1	506, 510, J, RBC, RBD Escalators; 506, 510, J, RA, RB,RBC, RBD Escal-Aires®	Collar, Mounting (Switch, 1 NC Contact). For start.
AAA635H2	506, 510, J, RBC, RBD Escalators; 506, 510, J, RA, RB,RBC, RBD Escal-Aires®	Collar, Mounting (Switch, 1 NO Contact). For stop.
CAA346C1	506, 510, J, RBC, RBD Escalators; 506, 510, J, RA, RB,RBC, RBD Escal-Aires®	Cover, Clear
AAA194AX1	506, 510, J, RBC, RBD Escalators; 506, 510, J, RA, RB,RBC, RBD Escal-Aires®	Key
AAA6410AE1	506, 510, J, RBC, RBD Escalators; 506, 510, J, RA, RB,RBC, RBD Escal-Aires®	Keypad, Assembly with 2 Keys
AAA102N1	506, 510, J, RBC, RBD Escalators; 506, 510, J, RA, RB,RBC, RBD Escal-Aires®	Label, Black Background with White Lettering
AAA102P1	506, 510, J, RBC, RBD Escalators; 506, 510, J, RA, RB,RBC, RBD Escal-Aires®	Label, Black Background without Lettering
AAA00431AAC005	506, 510, J, RBC, RBD Escalators; 506, 510, J, RA, RB,RBC, RBD Escal-Aires®	Lock, Assembly, with 2 Keys
AAA635H10	506, 510, J, RBC, RBD Escalators; 506, 510, J, RA, RB,RBC, RBD Escal-Aires®	Operator, Head, Black. For start.
AAA635H11	506, 510, J, RBC, RBD Escalators; 506, 510, J, RA, RB,RBC, RBD Escal-Aires®	Operator, Head, Red, Button Marked STOP

© Otis Elevator, January 2008

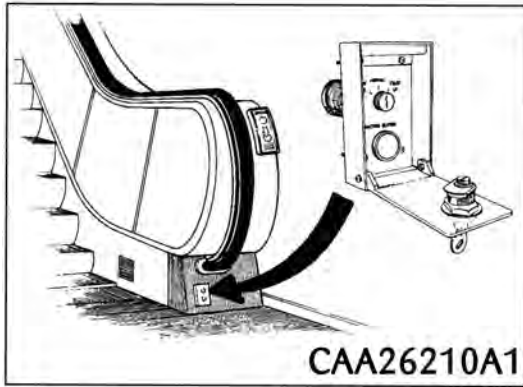


## Keyswitches

**North America: (800) 600 - 6847 • Fax (860) 286 - 1605**  
**Elsewhere: (860) 242-3632 • Fax (860) 286 - 1657**

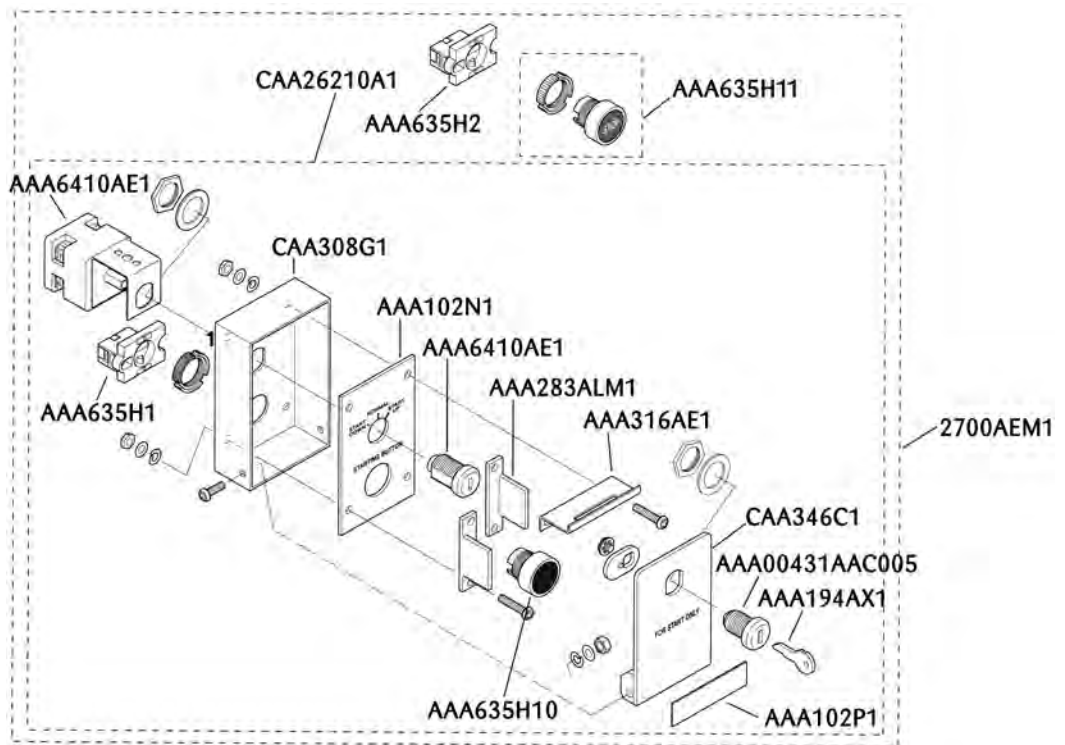
# ESCALATOR PARTS

©Otis Elevator, January 2008



**Retrofit Starting Device for:**

- 1950s-1970s J, RB, RBC, RBD Escalators & Escal-Aires®
- 1980s 506, 510 Escalators & Escal-Aires®
- All Non-Otis Models

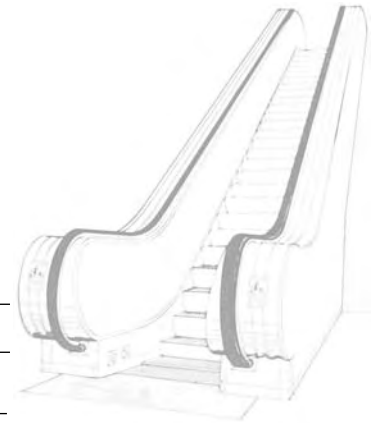


North America: (800) 600 - 6847 • Fax (860) 286 - 1605  
Elsewhere: (860) 242-3632 • Fax (860) 286 - 1657

**Keyswitches**



# OTIS



## Starting Devices (For New York City Only) (continued)

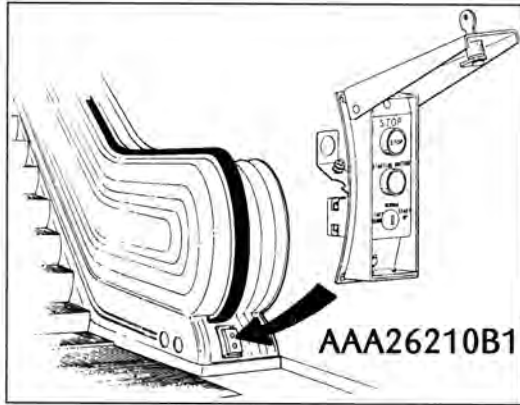
Part No.	Escalator Type	Description
AAA26210B1	ML Escalators	Assembly, Retrofit Start/Stop Device, NYC Code
AAA308PJ3	ML Escalators	Box
AAA635H2	ML Escalators	Collar, Mounting (Switch, 1 NC Contact). For stop.
AAA635H1	ML Escalators	Collar, Mounting (Switch, 1 NO Contact). For start.
AAA346ATS1	ML Escalators	Cover, Clear
AAA147PD1	ML Escalators	Faceplate, Mounting with Cutout
AAA147PD2	ML Escalators	Faceplate, Mounting without Cutout, without 2 Holes. For covering location of old assembly.
AAA635H10	ML Escalators	Head, Operator, Black. For start.
AAA635H11	ML Escalators	Head, Operator, Red, Button Marked STOP
AAA194AX1	ML Escalators	Key
AAA6410AE1	ML Escalators	Keypad, Assembly with 2 Keys
AAA102WT1	ML Escalators	Label, Black Background with White Lettering
AAA00431AAC005	ML Escalators	Lock, with 2 Keys

© Otis Elevator, January 2008

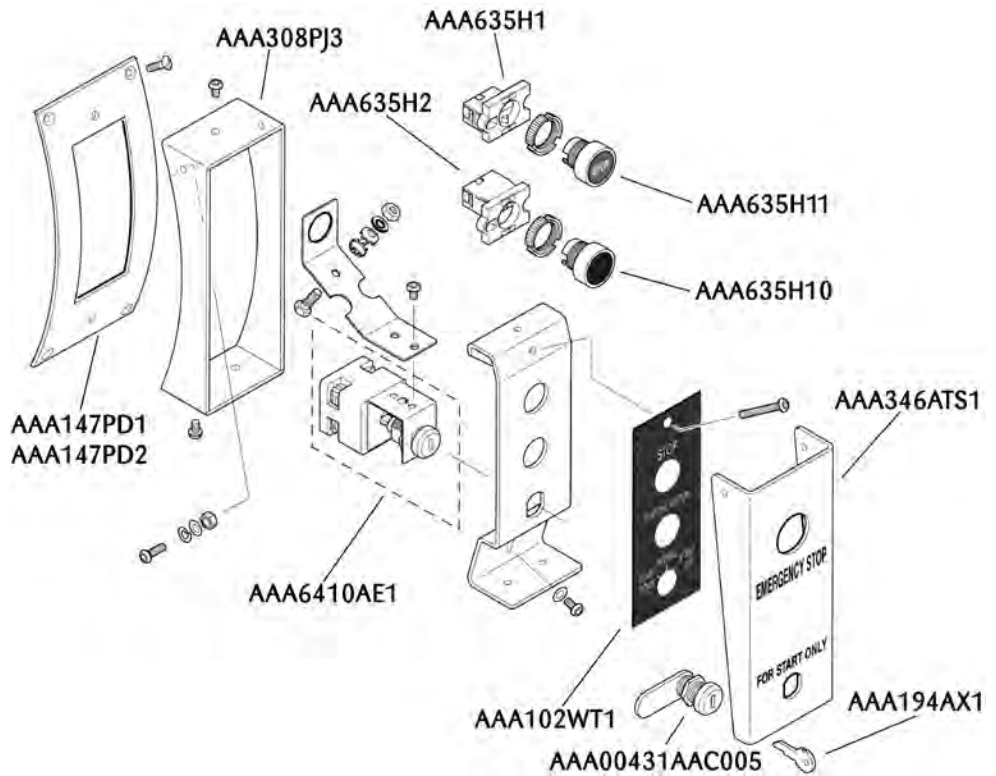


# ESCALATOR PARTS

© Otis Elevator, January 2008



**Retrofit Starting Device  
for 1930s ML Escalators**

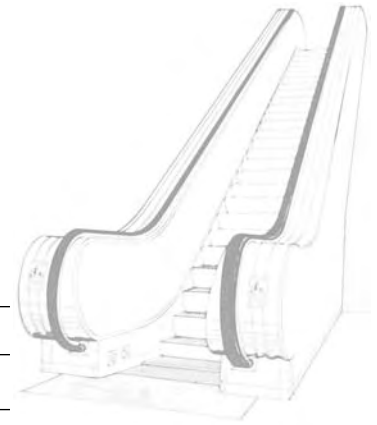


North America: (800) 600 - 6847 • Fax (860) 286 - 1605  
Elsewhere: (860) 242-3632 • Fax (860) 286 - 1657

**Keyswitches**



# OTIS



## Starting Devices (For New York City Only) (continued)

Part No.	Escalator Type	Description
AAA26210C1	O Escalators	Assembly, Retrofit Starting Device, with Faceplate
AAA308PJ2	O Escalators	Box
AAA635H2	O Escalators	Collar, Mounting (Switch, 1 NC Contact). For stop.
AAA635H1	O Escalators	Collar, Mounting (Switch, 1 NO Contact). For start.
AAA346ATS2	O Escalators	Cover, Clear
AAA147PE1	O Escalators	Faceplate, Mounting with Cutout
AAA147PE2	O Escalators	Faceplate, Mounting without Cutout, for Covering Location of Old Assembly
AAA635H10	O Escalators	Head, Operator, Black, for Start
AAA635H12	O Escalators	Head, Operator, Red, Button Marked STOP
AAA194AX1	O Escalators	Key
AAA6410AE1	O Escalators	Keyswitch, Assembly with 2 Keys
AAA102XC1	O Escalators	Label, Black Background with White Lettering
AAA00431AAC005	O Escalators	Lock, Assembly with 2 Keys

© Otis Elevator, January 2008



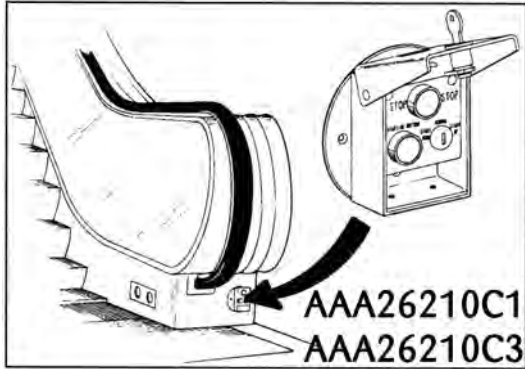
94

**Keyswitches**

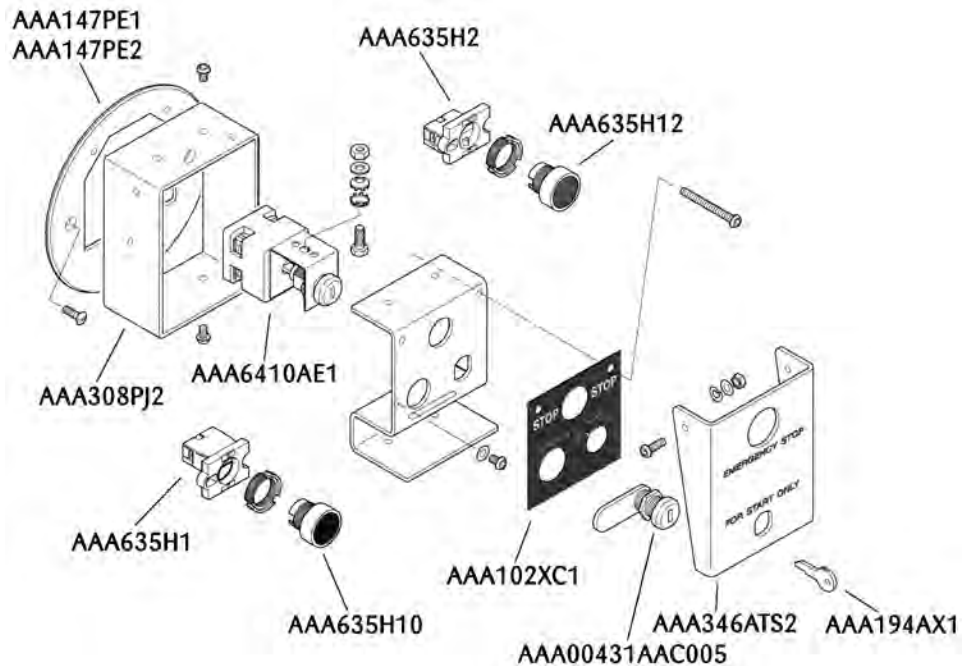
**North America: (800) 600 - 6847 • Fax (860) 286 - 1605  
Elsewhere: (860) 242-3632 • Fax (860) 286 - 1657**

# ESCALATOR PARTS

© Otis Elevator, January 2008



**Retrofit Starting Device  
for 1940s O Escalators**

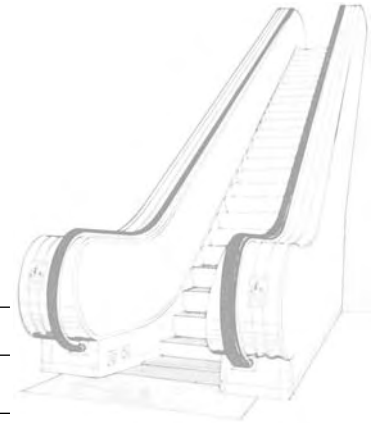


North America: (800) 600 - 6847 • Fax (860) 286 - 1605  
Elsewhere: (860) 242-3632 • Fax (860) 286 - 1657

**Keyswitches**



# OTIS



## Starting Devices (For New York City Only) (continued)

Part No.	Escalator Type	Description
AAA26210A1	R, RA, RB Escalators	Assembly, Retrofit Start/Stop Device, NYC Code
AAA308PJ1	R, RA, RB Escalators	Box
AAA635H2	R, RA, RB Escalators	Collar, Mounting (Switch, 1 NC Contact). For stop.
AAA635H1	R, RA, RB Escalators	Collar, Mounting (Switch, 1 NO Contact). For start.
AAA346ATS1	R, RA, RB Escalators	Cover, Clear
AAA147PD3	R, RA, RB Escalators	Faceplate, Blank, for Covering Location of Old Assembly
AAA635H10	R, RA, RB Escalators	Head, Operator, Black. For start.
AAA635H11	R, RA, RB Escalators	Head, Operator, Red, Button Marked STOP
AAA194AX1	R, RA, RB Escalators	Key
AAA6410AE1	R, RA, RB Escalators	Keyswitch, Assembly with 2 Keys
AAA102WT1	R, RA, RB Escalators	Label, Black Background with White Lettering
AAA00431AAC005	R, RA, RB Escalators	Lock, Assembly with 2 Keys

© Otis Elevator, January 2008



96

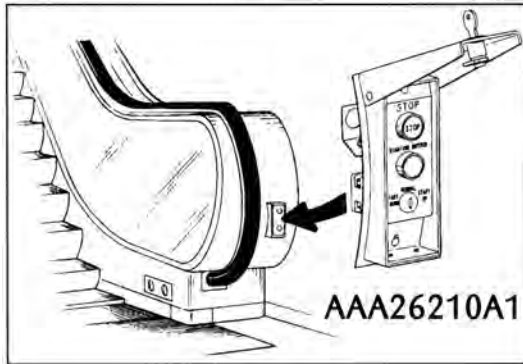
## Keyswitches

**North America: (800) 600 - 6847 • Fax (860) 286 - 1605**  
**Elsewhere: (860) 242-3632 • Fax (860) 286 - 1657**

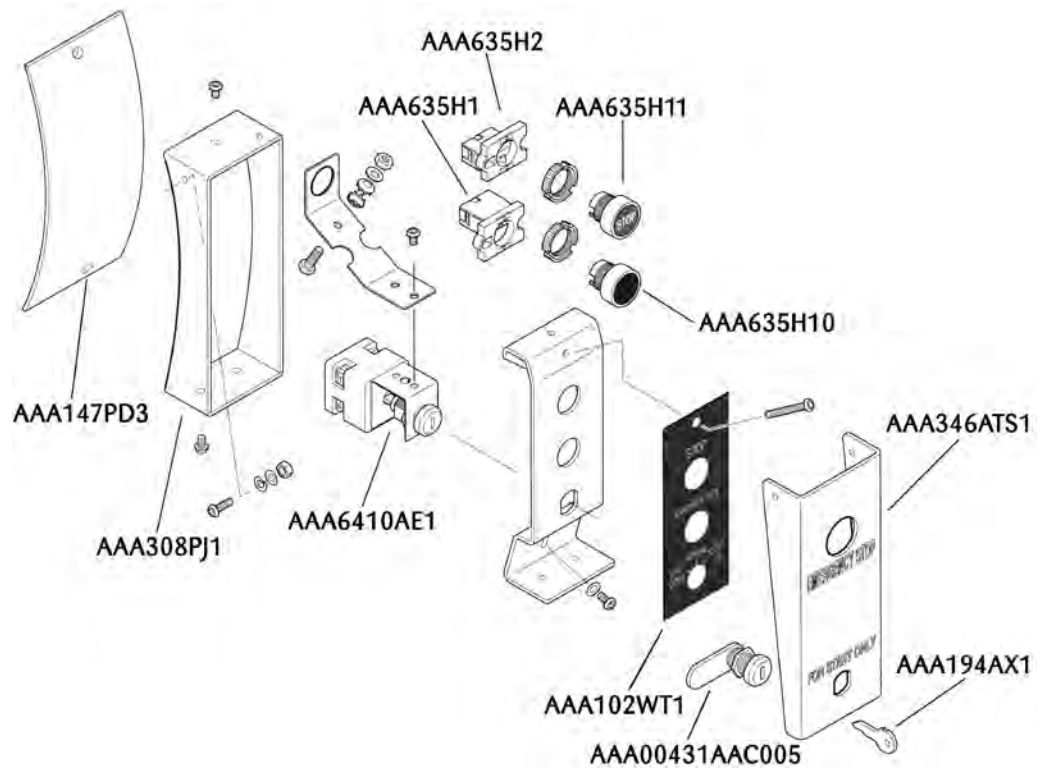


# ESCALATOR PARTS

© Otis Elevator, January 2008



**Retrofit Starting Device for  
1950s-1960s R, RA, RB Escalators**

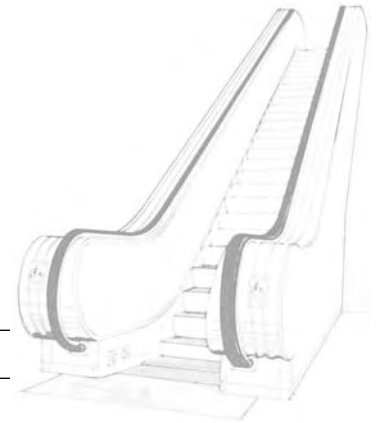


North America: (800) 600 - 6847 • Fax (860) 286 - 1605  
Elsewhere: (860) 242-3632 • Fax (860) 286 - 1657

**Keyswitches**



# OTIS

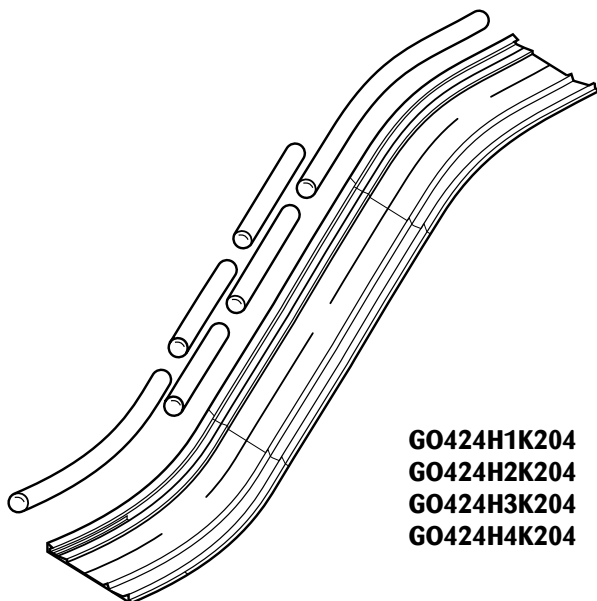


## Lighting—Balustrade, Comb & Under Step

Refer to SPLs56-YX9701EK, 57-9703BH, and C-966 (in component code 50)

Part No.	Watts	Volts	Escalator Type	Description
GO424H3	---	---	506	Lamp, Straight (1400 mm)
6599D2	---	---	32 R, 48 R, 32 RB, 48 RB	Bulb, Comb Light
1S-GO50AAR6000	---	---	506	Cover, Lens, Shape (6000 mm long) for Handrail/Adjacent, Aluminum Balustrade Lighting
1S-GOC50ABF6000	---	---	506	Cover, Lens, Shape (6000 mm long) for Handrail/Adjacent, Stainless Balustrade Lighting
GO424H3K204	---	---	506, 510	Lamp, Green (straight, 1400 mm)
GO424H4K204	---	---	506, 510	Lamp, Green (straight, 1800 mm)
GO424H2	---	---	506, 510	Lamp, Lower Landing (curved)
GO424H2K204	---	---	506, 510	Lamp, Lower Landing, Green (curved)
GO424H1	---	---	506, 510	Lamp, Upper Landing (curved)
GO424H1K204	---	---	506, 510	Lamp, Upper Landing, Green (curved)
VP-877730	---	---	506, 510	Starter. For 460-78 lamp fixture.
GX6599D512	15	110	506, 510, 606	Bulb, Comb Light. For behind GO386ARW3 lens.
GX6599D513	15	220	506, 510, 606	Bulb, Comb Light. For behind GO386ARW3 lens.
GO180ABD1	---	---	506, 510, 606	Holder
460-78	20	110	506, 510, 606	Lamp Fixture, Under-Step, 60 Hz, ~25.5 in. (647 mm) Long, w/o Bulb

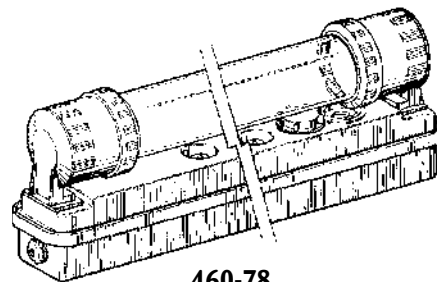
© Otis Elevator, January 2008



GO424H1K204  
GO424H2K204  
GO424H3K204  
GO424H4K204



GX6599D512  
GX6599D513



460-78



98

Lighting

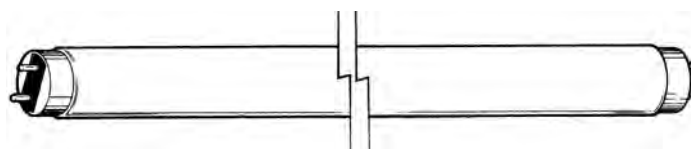
North America: (800) 600 - 6847 • Fax (860) 286 - 1605  
Elsewhere: (860) 242-3632 • Fax (860) 286 - 1657

# ESCALATOR PARTS

## Lighting—Balustrade, Comb & Under Step (continued)

Refer to SPLs 56-YX9701EK and C-969E (in component code 50)

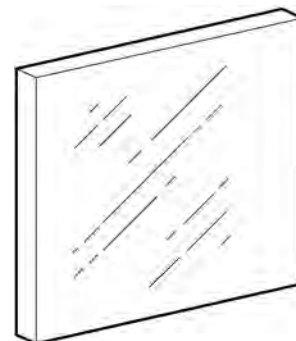
Part No.	Watts	Volts	Escalator Type	Description
129-809	---	---	506, 510, 606	Lamp, Fluorescent, TDL20/17 GRU, Green, ~24 in. (610 mm) Long. For 460-78 lamp fixture.
GO386ARW3	---	---	506, 510, 606	Lens, Comb Lighting
5LS2151-1AG	---	---	506, 510, 606	Sleeve, Clear. For 460-78 lamp fixture.
443AR1	---	---	R, RB	Lens, Comb Light, Glass
2700AAS1	---	---		Kit, Comb Light, retrofit (w/fixture, 5-3/4 in. lamp and mounting material)
GO424AE1	---	---		Lamp, Fluorescent, 5-3/4" Long x 5/8" Diameter (for use in 2700AAS1)
424E1	14	---		Lamp, Fluorescent, 15" Long x 1.5" Diameter, GE p/n F14T12/CW
424E14	15	---	---	Lamp, Fluorescent, 18" Long x 1.5" Diameter, GE p/n F15T12/CW
424E15	20	---	---	Lamp, Fluorescent, 24" Long x 1.5" Diameter, GE p/n F20T12/CW
424E12	30	---	---	Lamp, Fluorescent, 36" Long x 1.5" Diameter, GE p/n F30T12/CW
424E17	40	---	---	Lamp, Fluorescent, 48" Long x 1.5" Diameter, GE p/n F40/CW



129-809



424E1, 424E12, 424E14, 424E15, 424E17



GO386ARW3

North America: (800) 600 - 6847 • Fax (860) 286 - 1605  
Elsewhere: (860) 242-3632 • Fax (860) 286 - 1657

Lighting

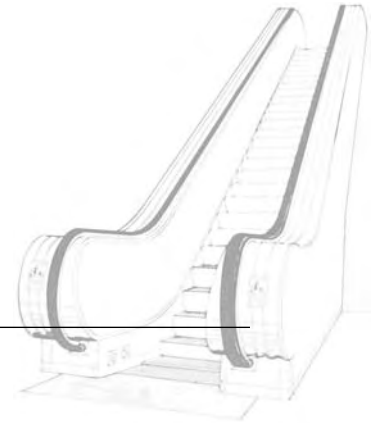


99

# OTIS

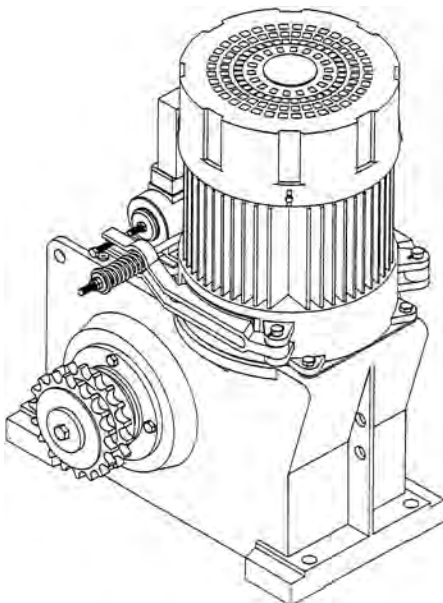
## Machines

Refer to SPLs 06-9703AD and 50-9703AD

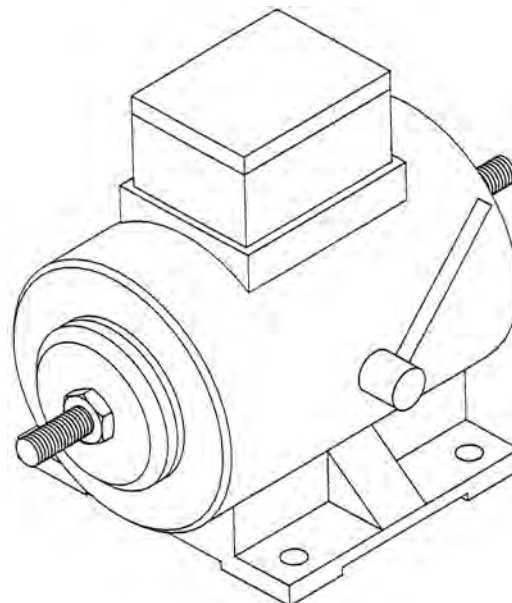


Part No.	Machine Type	VAC	Magnet Force per System	Escalator Type	Description
GO286T1	16 VEC-RH			506, 506 SL, 606	Arm, Brake
GO286AF1	16 VEC-RH			506, 506 SL, 606	Arm, Brake. Set up for lining wear contact.
GO2500AX5	16 VEC-RH			506, 506 SL, 606	Kit, Bearing, Gearcase End Sprocket Shaft
GO2500AX9	16 VEC-RH			506, 506 SL, 606	Kit, Bearing, Output End Sprocket Shaft
GO2500AX6	16 VEC-RH			506, 506 SL, 606	Pin, Brake
GO222P1	16 VEC-RH	220	230-480 N	506, 506 SL, 606	Solenoid, Brake
GO222P2	16 VEC-RH	220	510-550 N	506, 506 SL, 606	Solenoid, Brake
GO222P9	16 VEC-RH	120	510-550 N	506, 506 SL, 606	Solenoid, Brake (replacing GO222P6)
GO222P10	16 VEC-RH	120	230-480 N	506, 506 SL, 606	Solenoid, Brake (replacing GO222P7)
GO222P4	16 VEC-RH	220	230-480 N	506, 506 SL, 606	Solenoid, Brake (special order only)
GO222P11	16 VEC-RH	220	230-480 N	506, 506 SL, 606	Solenoid, Brake (special order only)
GO222P5	16 VEC-RH	220	510-550 N	506, 506 SL, 606	Solenoid, Brake (special order only)
GO222P8	16 VEC-RH	220	510-550 N	506, 506 SL, 606	Solenoid, Brake (special order only)
GO222P3	16 VEC-RH	220	650-800 N	506, 506 SL, 606	Solenoid, Brake (special order only)
GO90AE1	16 VEC-RH			506, 506 SL, 606	Spring

© Otis Elevator, January 2008



16 VEC-RH Machine



Brake Solenoid for 16 VEC-RH Machine



100

Machines

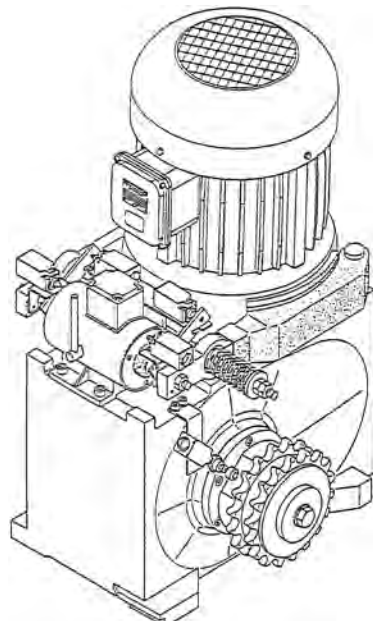
North America: (800) 600 - 6847 • Fax (860) 286 - 1605  
Elsewhere: (860) 242-3632 • Fax (860) 286 - 1657

# ESCALATOR PARTS

## Machines (continued)

Refer to SPL 06-GAA20401A

Part No.	Machine Type	VAC	Escalator Type	Description
GAA20401A524	EC 143		506, 606	Bearing Set, Motor, for 7.5 KW and Smaller Motors.
GAA20401A525	EC 143		506, 606	Bearing Set, Motor. For larger than 7.5 KW motors.
GAA20401A522	EC 143		506, 606	Bearing Set. For gearcase fast shaft.
GAA20401A501	EC 143		506, 606	Governor, Overspeed
GAA20401A506	EC 143		506, 606	Lever, Brake, with Lining
GAA20401F580	EC 143		506, 606	PC Board. For GAA20401F554 brake solenoid.
GAA20401F584	EC 143		506, 606	PC Board. For GAA20401F562 brake solenoid.
GAA20401A517	EC 143		506, 606	Seal, Rotary Shaft (gearcase top)
GO222P__	EC 143		506, 606	Solenoid (Specify proper older version, providing voltage and force markings off solenoid data tag)
GAA20401F562	EC 143	120	506, 606	Solenoid, Brake
GAA20401F554	EC 143	230	506, 606	Solenoid, Brake
GAA20401A508	EC 143		506, 606	Spring, Brake
GAA20401A505	EC 143		506, 606	Switch, Governor. For machines manufactured after June 1990.
GAA20401A503	EC 143		506, 606	Switch, Governor. For machines manufactured before June 1990.



EC 143 Machine

North America: (800) 600 - 6847 • Fax (860) 286 - 1605  
Elsewhere: (860) 242-3632 • Fax (860) 286 - 1657

Machines

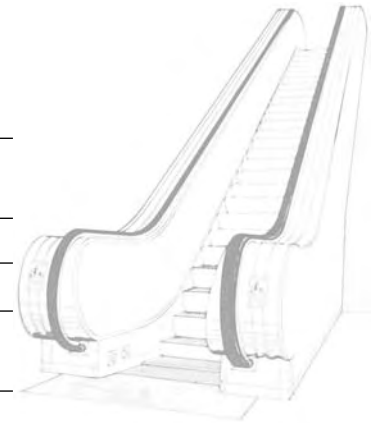


101

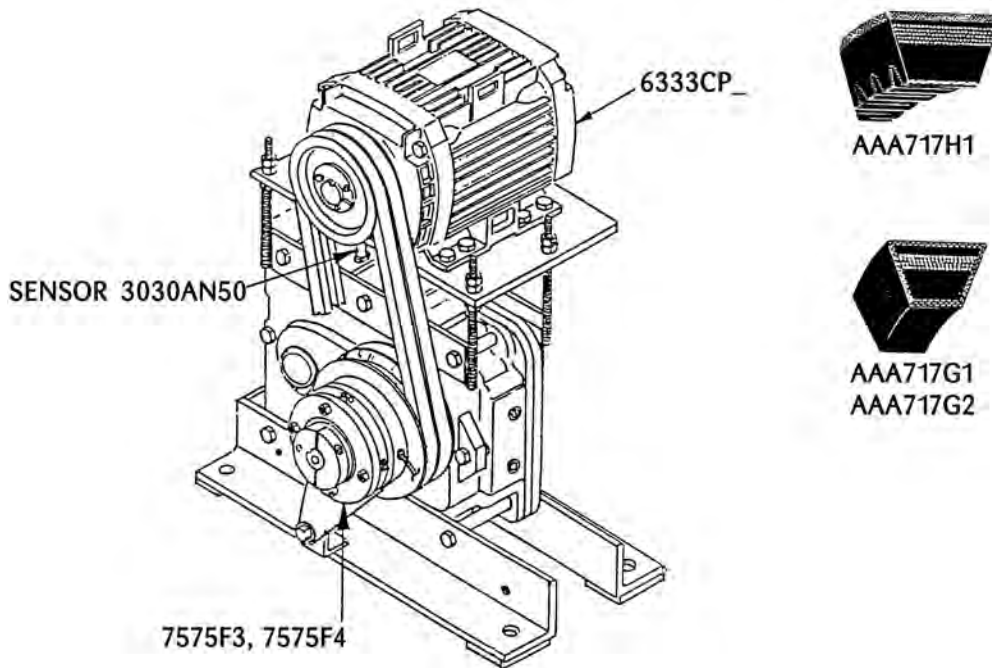
# Machines (continued)

Refer to SPL C-3043 (in component code 06)

Part No.	Machine Type	VAC	Escalator Type	Description
7575F3	215 EEC		J	Brake, Electrical, 10–55 ft.-lb. Torque
7575F4	215 EEC		J	Brake, Electrical, 30–85 ft.-lb. Torque
7575B3	215 EEC		J	Helical Gear Box Assembly, Complete with Integral Shaft
6333CP5	215 EEC	200	J	Motor, 10 HP, 1745 RPM
6333CP6	215 EEC	230/460	J	Motor, 10 HP, 1745 RPM
6333CP12	215 EEC	575	J	Motor, 10 HP, 1745 RPM
6333CP13	215 EEC	200	J	Motor, 15 HP, 1750 RPM
6333CP15	215 EEC	230/460	J	Motor, 15 HP, 1750 RPM
6333CP16	215 EEC	575	J	Motor, 15 HP, 1750 RPM
6333CP1	215 EEC	200	J	Motor, 5 HP, 1745 RPM
6333CP2	215 EEC	230/460	J	Motor, 5 HP, 1745 RPM
6333CP8	215 EEC	575	J	Motor, 5 HP, 1745 RPM
6333CP3	215 EEC	200	J	Motor, 7.5 HP, 1755 RPM
6333CP4	215 EEC	230/460	J	Motor, 7.5 HP, 1755 RPM
6333CP10	215 EEC	575	J	Motor, 7.5 HP, 1755 RPM
SENSOR 3030AN50	215 EEC		J	Sensor, Magnetic, Under-Overspeed
AAA717G1	215 EEC		J	V-Belt, Smooth (double ~ 54")
AAA717G2	215 EEC		J	V-Belt, Smooth (double ~ 58")
AAA717H1	215 EEC		J	V-Belt, Cogged (single ~ 54")



© Otis Elevator, January 2008



215 EEC Machine  
Machines

North America: (800) 600 - 6847 • Fax (860) 286 - 1605  
Elsewhere: (860) 242-3632 • Fax (860) 286 - 1657



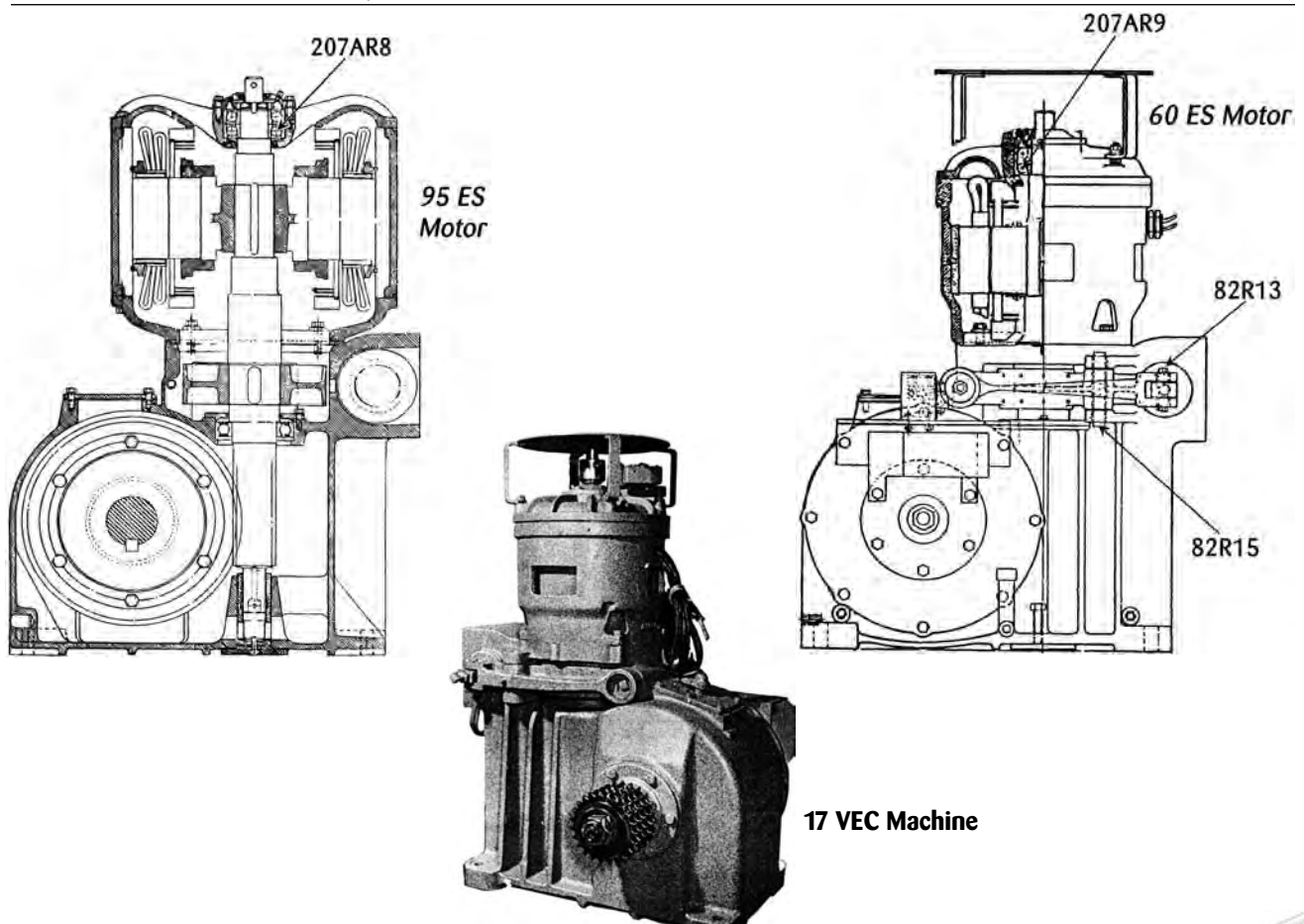
# ESCALATOR PARTS

## Machines (continued)

Refer to SPLs C-969E (c.c. 50), C-1083A (c.c. 06), and C-1084A (c.c. 50)

Part No.	Machine Type	Escalator Type	Description
209B19	17 VEC	J, R, RB, RBC	Bearing, Main Drive shaft, 2 per Shaft
209A3	17 VEC	J, R, RB, RBC	Bearing, Needle, for Brake Arms, 4 per Machine, Center Pivot
209A6	17 VEC	J, R, RB, RBC	Bearing, Needle, for Brake Arms, 4 per Machine, End Pivot at Cores
207AR9	17 VEC	J, R, RB, RBC	Bearing, Thrust, 60ES Motor
207AR8	17 VEC	J, R, RB, RBC	Bearing, Thrust, 95ES Motor
222EN1	17 VEC	J, R, RB, RBC	Coil, Brake
A400DT2	17 VEC	J, R, RB, RBC	Core, Magnet, Female. Includes pin 81BM1.
A400DY1	17 VEC	J, R, RB, RBC	Core, Magnet, Male
416AJ1	17 VEC	J, R, RB, RBC	Lining, Brake Lever, 2.75 in. (70 mm) Wide, 5.5 in. Long
82R13	17 VEC	J, RBC	Pin, Pivot, Brake Lever at Cores
82R15	17 VEC	J, RBC	Pin, Pivot, Brake Lever to Case

© Otis Elevator, January 2008



North America: (800) 600 - 6847 • Fax (860) 286 - 1605  
Elsewhere: (860) 242-3632 • Fax (860) 286 - 1657

Machines

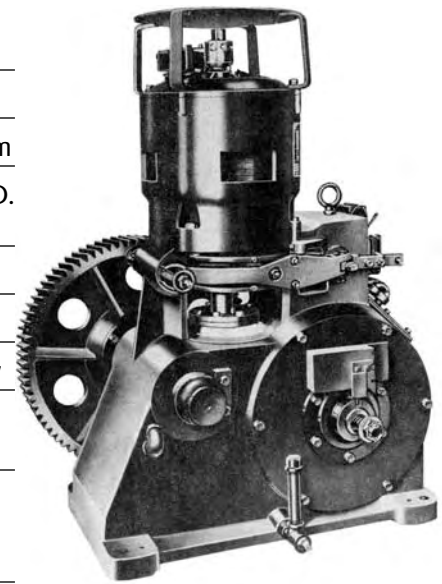
103

# OTIS

## Machines (continued)

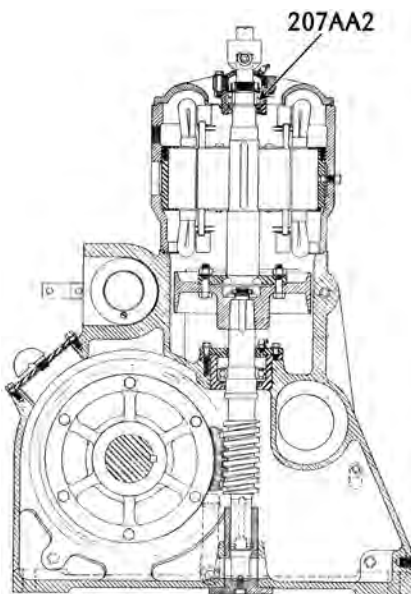
Refer to SPLs C-969E (c.c. 50), C-1083A (c.c. 06), and C-1084A (c.c. 50)

Part No.	Machine Type	Escalator Type	Description
207AR2	16 VE, 16 VEG	R, RB	Bearing, Top of Motor, 2.8 OD, Post 1951
207AA2	16 VE, 16 VEG	R, RB	Bearing, Top of Motor, 2.8 OD, Pre-1951
207AR9	16 VE, 16 VEG	J, RBCJ	Bearing, Top of Motor, 3.9 OD
321BF1	16 VE, 16 VEG	R, RB	Bushing, Flange, for Wormshaft Bottom
335E39	16 VE, 16 VEG	R, RB	Bushing, Oil-less, 0.75 in. (19 mm) OD. For early brake arms, 2 per machine.
222KA1	16 VE, 16 VEG	R, RB	Coil, Brake
222KA5	16 VE, 16 VEG	R, RB	Coil, Brake
400CA2	16 VE, 16 VEG	R, RB	Core, Magnet, with Bolt and Set Screw
400CA3	16 VE, 16 VEG	R, RB	Core, Magnet, with Guide, Bolt, and Set Screw
A416R1	16 VE, 16 VEG	R, RB	Lining, Brake Shoe, 2.75 in. (70 mm) Wide, 3 in. (76 mm) Long, 4 per Machine
136R1	16 VE, 16 VEG	R, RB	Tube, Brake Core

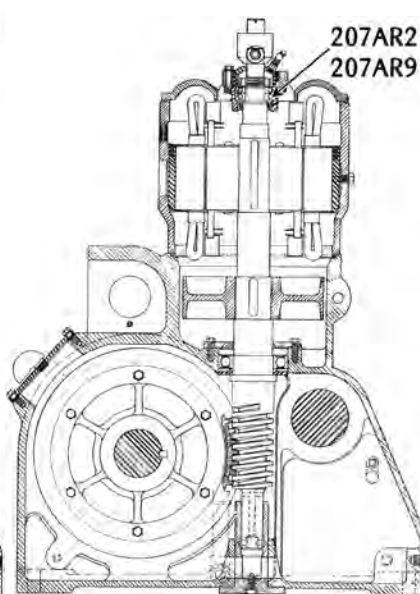


16 VE Machine

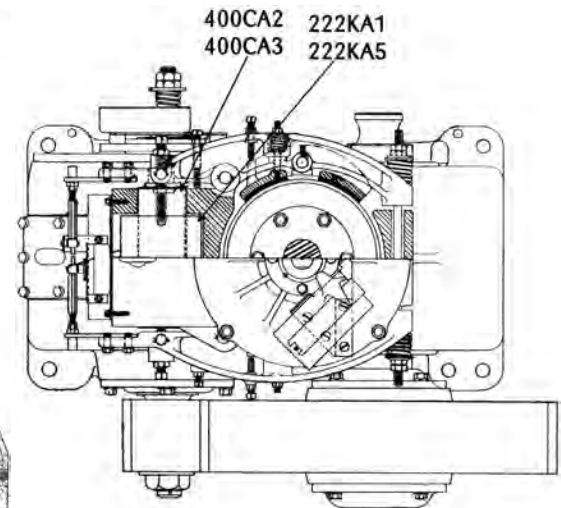
© Otis Elevator, January 2008



Pre-1951



Post-1951



Section At Brake



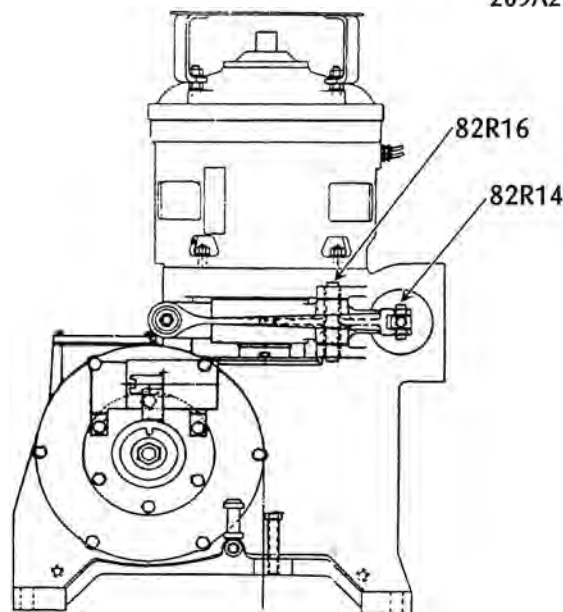
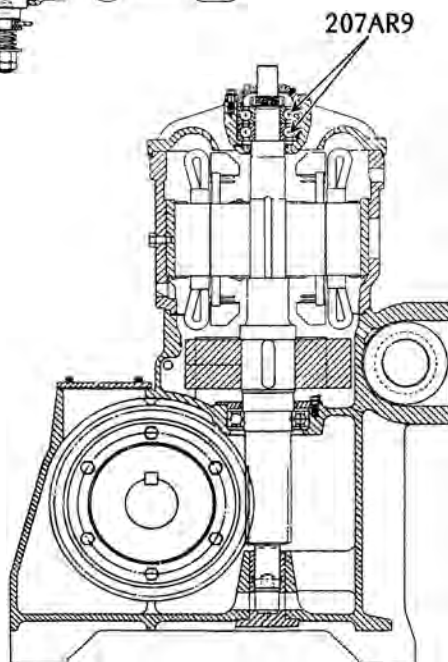
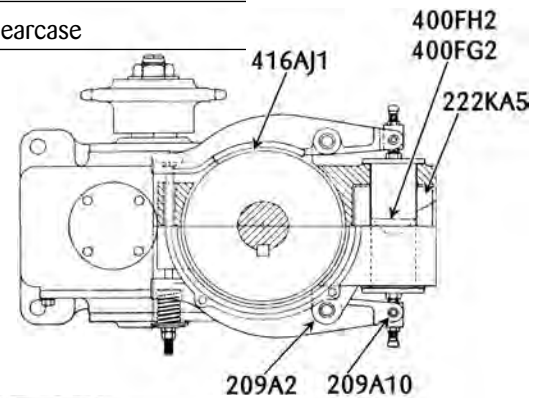
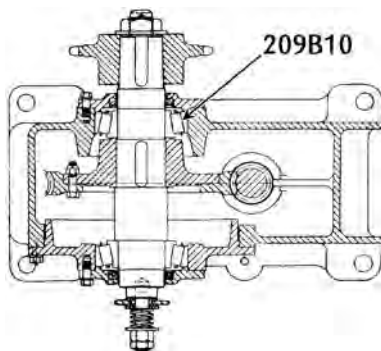


# ESCALATOR PARTS

## Machines (continued)

Refer to SPLs C-969E (c.c. 50), C-1083A (c.c. 06), and C-1084A (c.c. 50)

Part No.	Machine Type	Escalator Type	Description
209B10	14 VEC	J, RBC	Bearing, Main Drive Shaft, 2 per Machine
209A2	14 VEC	J, RBC	Bearing, Needle, Brake Lever, Center Pivot
209A10	14 VEC	J, RBC	Bearing, Needle, Brake Lever, End Pivot at Cores
207AR9	14 VEC	J, RBC	Bearing, Thrust, at Top of Motor
222KA5	14 VEC	R, RB	Coil, Brake Magnet
400FH2	14 VEC	J, RBC	Core, Magnet, Female. Includes pin 81BM1.
400FG2	14 VEC	J, RBC	Core, Magnet, Male Section
416AJ1	14 VEC	J, RBC	Lining, Brake. 2.75 in. (70 mm) Wide, 5.5 in. (140 mm) Long
82R14	14 VEC	J, RBC	Pin, Pivot, Brake Lever, at Cores
82R16	14 VEC	J, RBC	Pin, Pivot, Brake Lever, at Gearcase



# OTIS

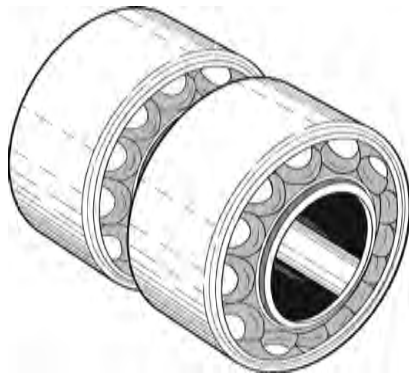
## Machines (continued)

Refer to SPLs 06-BAA20400A, C-1083A (c.c. 06), C-969E, and C-1084A (c.c. 50)

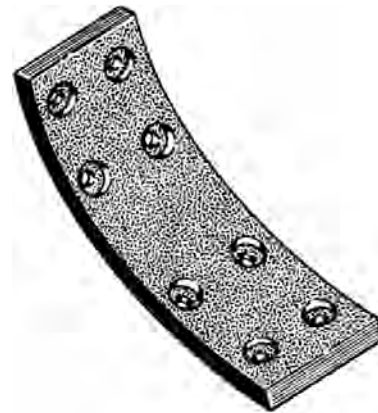
Part No.	Machine Type	Escalator Type	Description
GO209A2	16 VEC	UBSL	Bearing, Main Driveshaft, 2 per Machine
207AR9	16 VEC	UBSL	Bearing, Thrust, Top of Motor
BAA234C1	16 VEC	UBSL	Coil, Brake magnet
AGX400FH1	16 VEC	UBSL	Core, Brake
AGX400FG1	16 VEC	UBSL	Core, Brake
416AJ1	16 VEC	UBSL	Lining, Brake
81BM1	16 VEC	UBSL	Pin, Brake Lever, at Cores



© Otis Elevator, January 2008



207AR9



416AJ1

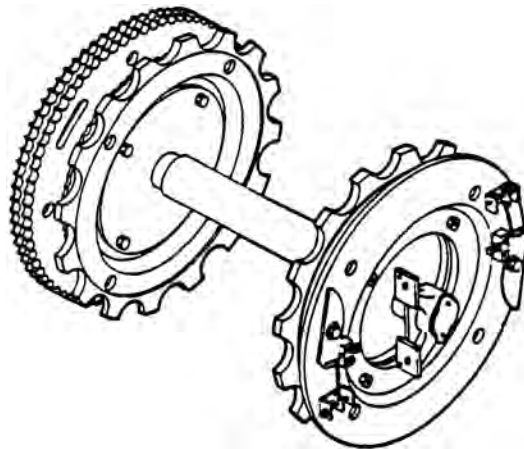


# ESCALATOR PARTS

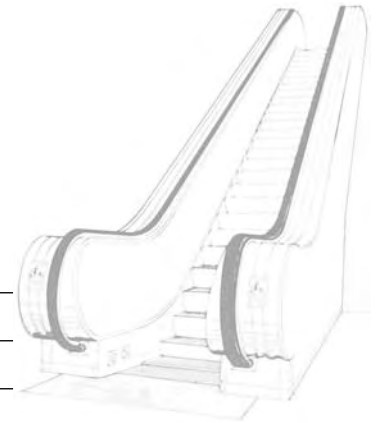
## Main Drives

Refer to SPL C-970F (in component code 50)

Part No.	Escalator Type	Description
GO2215H13	506 SL	Main Drive Bearing, with Hardware
GO2215H11	506, 506 SL, 510, 606	Bolts, Used for Fastening Sprockets to Main Drive Shaft
GO2215H12	506, 506 SL, 510, 606	Brake Lever, Assembly, Main Drive, with Hardware
GO2215H10	506, 510, 606	Main Drive Bearing, with Hardware
199J1	R, RB	Gear, Main Drive



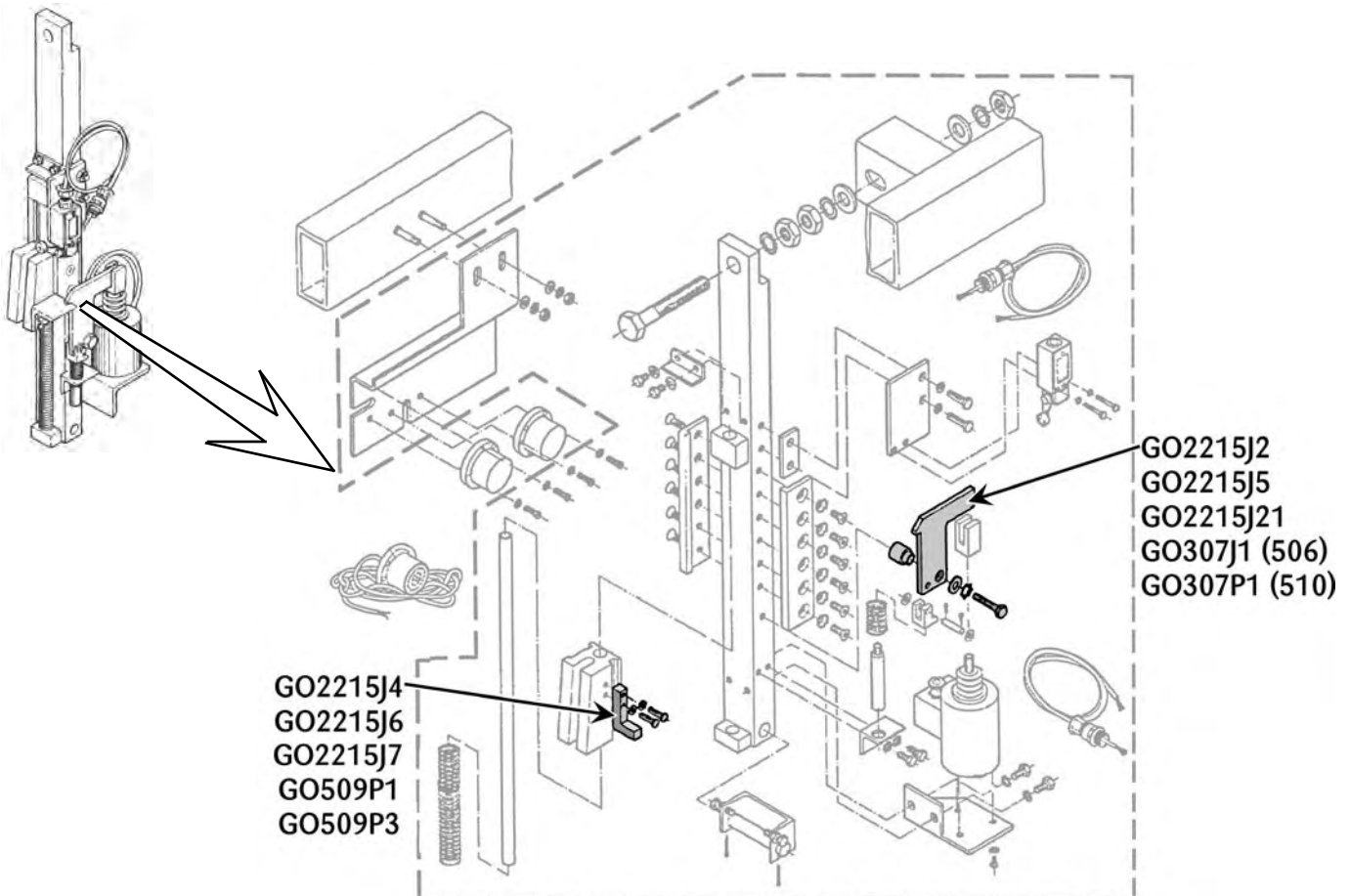
# OTIS



## Auxiliary Brake Parts

Part No.	Escalator Type	Description
GO307J1	506	Lever, 5.75 in. (146 mm) Long, 2 in. (51 mm) Base
GO2215J2	506 SL, 510, NCE	Lever Kit. Uses GO307P1 lever.
GO509P2	506 SL, NCE	Hook
GO2215J4	506 SL, NCE	Hook Kit with Hardware. Uses GO509P2 hook.
GO2215J21	506 SL, NCE (later)	Lever Kit with Hardware and Bushing
GO2215J5	506, 506 SL, 606 (early)	Lever Kit. Uses GO307J1 lever.
GO509P1	506, 510 (early), 606	Hook
GO2215J6	506, 510 (early), 606	Hook Kit with Hardware. Uses GO509P1 hook.
GO307P1	510	Lever, 5.75 in(146 mm) Long, 3.75 in. (95 mm) Base
GO2215J7	510, NPE, NPT	Hook Kit. Uses GO509P3 hook.
GO509P3	510 (after Oct. 1987)	Hook

© Otis Elevator, January 2008

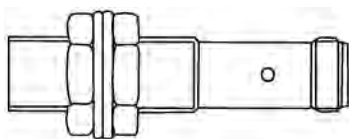


# ESCALATOR PARTS

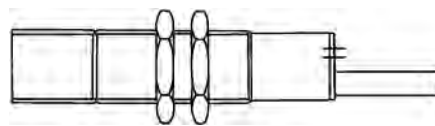
## Microswitches and Proximity Switches

Refer to SPLs 55-GAA26180J, 55-GAA26180M, 55-AAA26189Q, and 55-GAA26380D

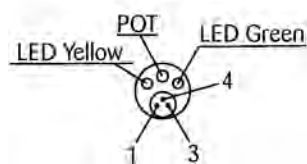
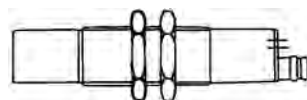
Part No.	Escalator Type	Description
90YA13		Spring, Skirtswitch
GO177AG6		Switch, Broken Step, Breaking, without Failure Indicator. Manual Reset, Roller Plunger Action
GO177BX5		Switch, Broken Step, Breaking/Making, without Failure Indicator. Manual Reset, Roller Plunger Action
GO177BX1		Switch, Comb Plate, Breaking, without Failure Indicator, Button Plunger Action
GO177AG1		Switch, Comb Plate, Breaking/Making, without Failure Indicator, Button Plunger Action
GAA177EM1		Switch, Handrail Entry, Manual Reset
GO177AM2		Switch, Handrail Entry, Non-Manual Reset
GAC20401A513		Switch, Non-Reversing
GAA608D3		Switch, Proximity, Missing Step/Pallet. Replaces GAA608D2.
GAA608A2		Switch, Proximity (plug socket connection)
GAA608D1		Switch, Proximity. Termination type = 2-m cable long
GAA608D2		Switch, Proximity. Termination type = M8 quick disconnect
EA2155-56		Tripper Insert



**GAA608A2**



**GAA608D1**



**GAA608D2**

North America: (800) 600 - 6847 • Fax (860) 286 - 1605  
Elsewhere: (860) 242-3632 • Fax (860) 286 - 1657

**Microswitches**



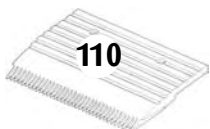
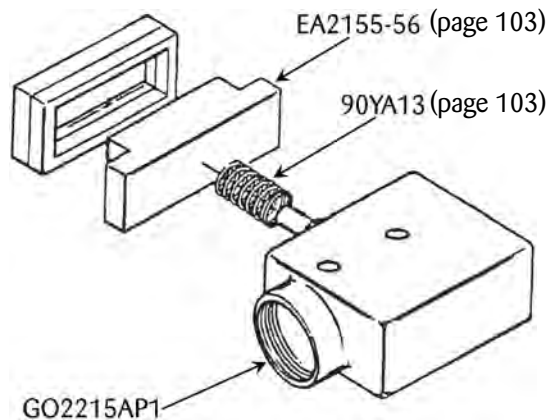
# OTIS



## Microswitches and Proximity Switches (continued)

Part No.	Escalator Type	Description
GO177DS3	506, 506 SL	Switch, Proximity, w/10-m Long Cable (50 mm base). For stopped handrail device.
GO177DS1	506, 506 SL	Switch, Proximity, Stopped Handrail Device. With plug connector.
GO2215AP1	506, 506 NCE, 510	Microswitch. Used for Skirt-Panel Controls. Same as part number GO177DD1 (see also mating tripper skirt insert EA2155-56)
GO177AM3	506, 510, HD	Switch, Emergency Brake, Roller Lever
GO177AY1	506, 606	Switch, Proximity, Broken Main Drive Chain (2 Used)
GAA608B2	513 NPE	Switch, Proximity, Main Drive Speed Sensor

© Otis Elevator, January 2008



110

**Microswitches**

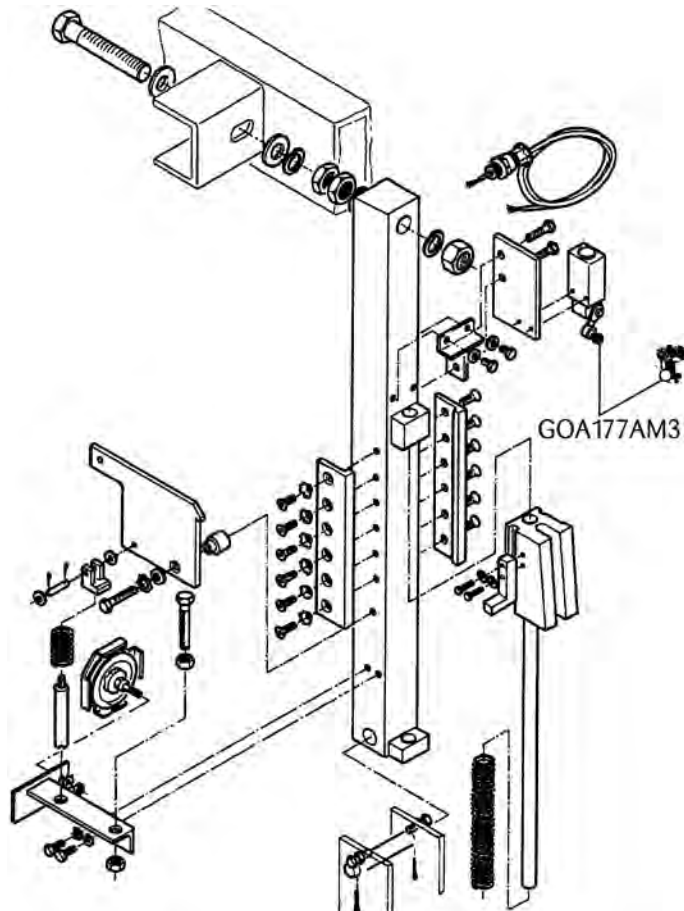
**North America: (800) 600 - 6847 • Fax (860) 286 - 1605  
Elsewhere: (860) 242-3632 • Fax (860) 286 - 1657**

# ESCALATOR PARTS

## Microswitches and Proximity Switches (continued)

Refer to SPLs 51-G09704BX, 51-GAA26231J, C-970F (c.c. 50), C-1085, and C-1100A (c.c. 10)

Part No.	Escalator Type	Description
4602A3	J	Kit, Microswitch. Consists of (4) GX316BRM500 Brackets, (4) GO446B1 Strips, & (4) 7009A2 Microswitches for Step Wheel
7115KE1	J	Kit, Microswitch. Consists of 7009A3 Microswitch, 272BFR1 Angle, 90YA6 Spring, 251BN3 Insert, & (2) 65EK1 T-Bolts. Used for Upper & Lower Landing Skirt Panels.
7009A3	J, R, RB, RBC	Microswitch, Skirt Panel, Upper or Lower Landing. Used with insert 215BN1 or 251BN3 for J escalators.
7009A2	J, R, RB, RBC	Microswitch, Upthrust, Step Wheel. Lower Landing and J Handrail Entry.
GOA177AM3	506, 606, NCE	Switch, Emergency Brake, Roller Lever



# OTIS

## Microswitches and Proximity Switches (continued)

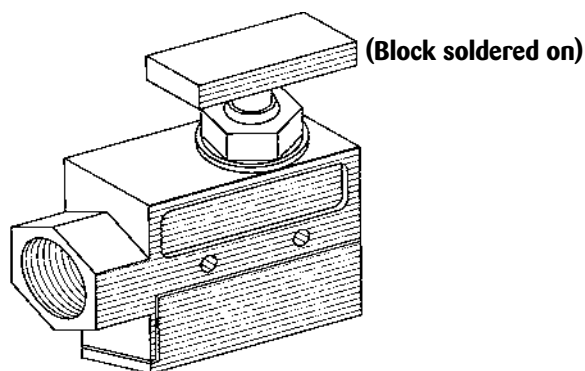
Refer to SPLs C-970F (c.c. 50), C-1085 (c.c. 10), and C-1089 (c.c. 52)

Part No.	Escalator Type	Description
6814BS3	32 R, 32 RB, 32 RBC	Kit, Microswitch. Consists of 7009A2 Microswitch, 272ANX1 Angle, 316BRM1 Bracket, & 446P1 Tripper. Used for curved upthrust—lower landing.
6814BS4	48 R, 48 RB, 48 RBC	Kit, Microswitch. Consists of 7009A2 Microswitch, 272ANX2 Angle, 316BRM1 Bracket, & 446P1 Tripper. Used for curved upthrust—lower landing.
6814BR1	R, RB	Kit, Microswitch. Consists of 7009A1 Microswitch, 316BRL1 Bracket, (6) 255C1 Shims, & (2) 255C2 Shims. RH or LH Side. Used for lower landing skirt guards.
7009A1	R, RB	Microswitch. Skirt Guard Lower Landing.
7115BX1	RBC	Kit, Microswitch. Consists of 7009A3 Microswitch, 272BCH1 Angle, 90YA6 Spring, 251BN1 Insert, & 255BB50-51 Shims. Used for both upper and lower landing skirt panels.
177AT1	RBC	Microswitch, Roller Type (for tension carriage)
177AV1	RBC	Switch, Slack Chain (for tension carriage), 2 per Carriage

**NOTE:** For switches for additional safety devices, see Safety Devices.



© Otis Elevator, January 2008



**7009A1**



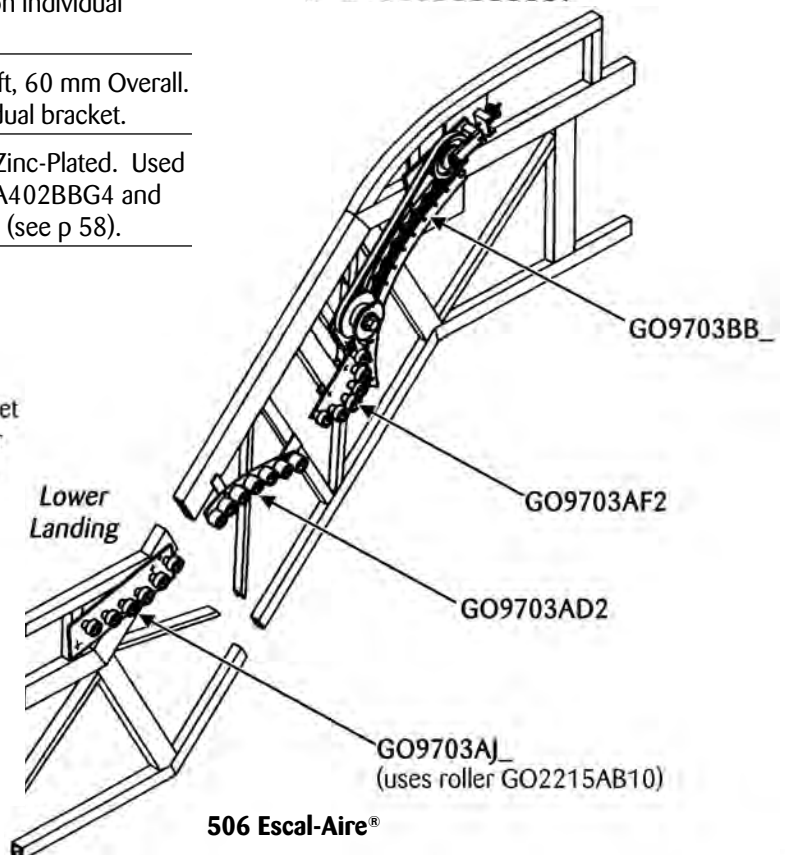
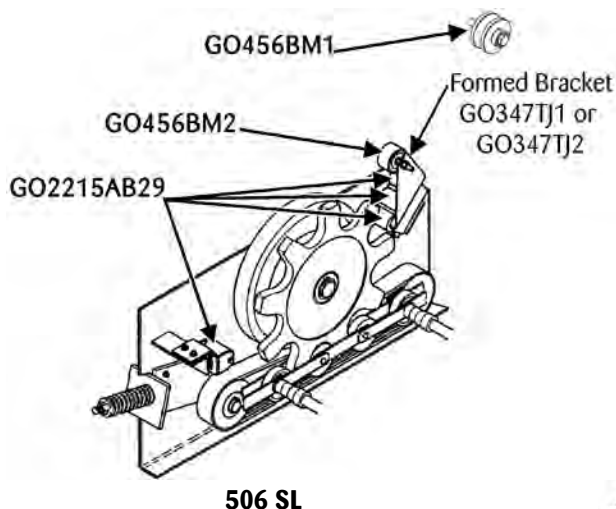
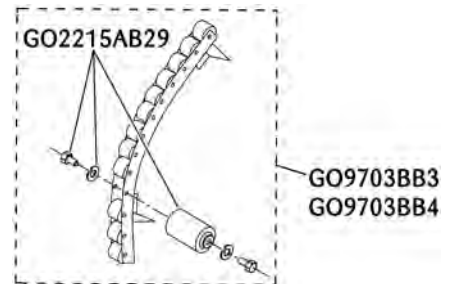
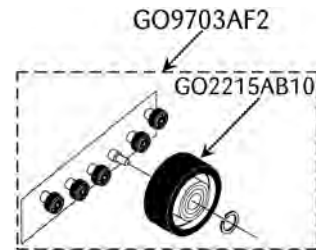
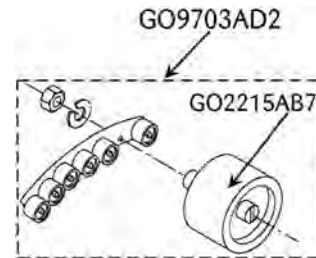


# ESCALATOR PARTS

## Rollers, Wheels, and Related

### For Handrail

Part No.	Escalator Type	Description
GO9703AD2	506	Roller Bow Assembly, Weather-Resistant
GO9703AF2	506	Roller Bow, 6-Roller Assembly, Weather-Resistant
GO9703BB3	506	Roller Bow, At Belt, without Hardware, Left Side, Weatherproof. Includes 14 rollers.
GO9703BB4	506	Roller Bow, At Belt, without Hardware, Right Side, Weatherproof. Includes 14 rollers.
GO9703AF1	506	Roller Bow, Tension Roller, without Hardware, Normal
GO456BM2	506 SL	Roller with Shaft, 100 mm Overall. Used on individual bracket.
GO456BM1	506 SL	Roller with Shaft, 60 mm Overall. Used on individual bracket.
GO456BJ1	506 SL	Roller, Newel, Zinc-Plated. Used in clusters GOA402BBG4 and GOB402BBG2 (see p 58).



©Otis Elevator, January 2008

North America: (800) 600 - 6847 • Fax (860) 286 - 1605  
Elsewhere: (860) 242-3632 • Fax (860) 286 - 1657

Rollers

113



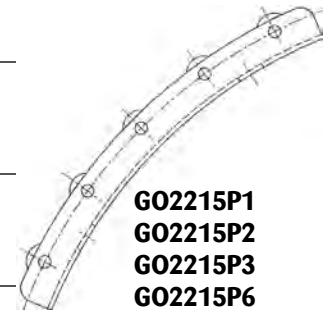
# OTIS

## For Handrail (continued)

Part No.	Escalator Type	Description
GO2215AB43	506 SL, 510	Roller. For 510 auxiliary handrail drive roller bow.
GO456BG1	506 SL, 510 Escal-Aire®	Roller, Tension. For handrail drive roller bow. 50 mm Dia., 60 mm Wide.
GO2215AB29	506, 506 SL, 510 Escal-Aire® 510, 606	Roller, Tension, Handrail Drive (at belt interface), with Hardware (606 application is auxiliary handrail drive)
GO2215AB7	506, 506 SL, 606, J, UB	Roller (w/axle), Handrail Drive, 2-1/8 in. Wide, with Hardware. Replaces part no. 456AT10. Used in multi-roller bow and in 7115FY2 double-roller incline support for J.
GO2215P5	506, 510, 606, HD-L, UB	Roller Support, Lower, 3-Roller Cluster, Elongated Newel. Order 2 per newel.
GO2215P1	506, 510, 606, HD-L, UB	Roller Support, 5-Roller Cluster, Normal Newel. Order 4 per newel.
GO2215P4	506, 510, 606, HD-L, UB	Roller Kit, Adapter Sleeve, & Roller For Escal-Aire® newels and other roller guides. Used in GO2215P1-3 & GO2215P5 roller supports.
GO2215P2	506, 510, 606, HD-L, J Escal-Aire®, UB	Roller Support, Upper, 5-Roller Cluster, Elongated Newel. Order 2 or 3 per newel depending on application (3 for J Escal-Aire®)
GO456AY1	506, 510, 606, HD-L, J, UB	Roller, Newel, 1 in. (25,4 mm) OD, 0.35 in. (8,9 mm) ID. Part of GO2215P4. Mating pin is GO465BA1.
GO9703AJ3	506, 606	Roller Bow (6-Roller Assembly), Left-Hand, Lower Landing
GO9703AJ4	506, 606	Roller Bow (6-Roller Assembly), Right-Hand, Lower Landing
GO2215AB10	506, 606	Roller, Handrail Drive, Phenolic, with Ring and no Axle, 1-3/8 in. Wide
GO2215P6	510	Roller Support, 5-Roller Cluster. For 510 opaque balustrade (escalator). For lower end.



**GO2215P5**



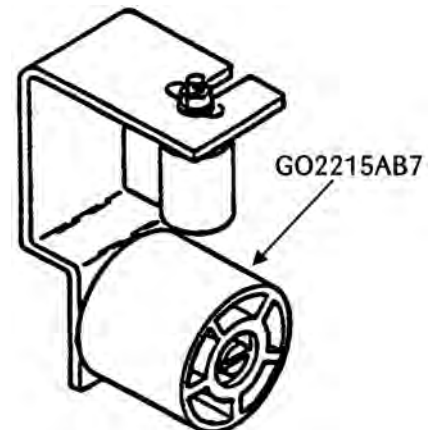
**GO2215P1  
GO2215P2  
GO2215P3  
GO2215P6**



**GO2215AB7**



**GO456AY1,  
GO456BJ1 similar**



**GO2215AB7**



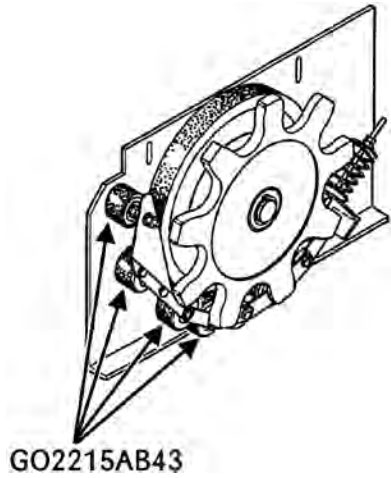
114

## Rollers

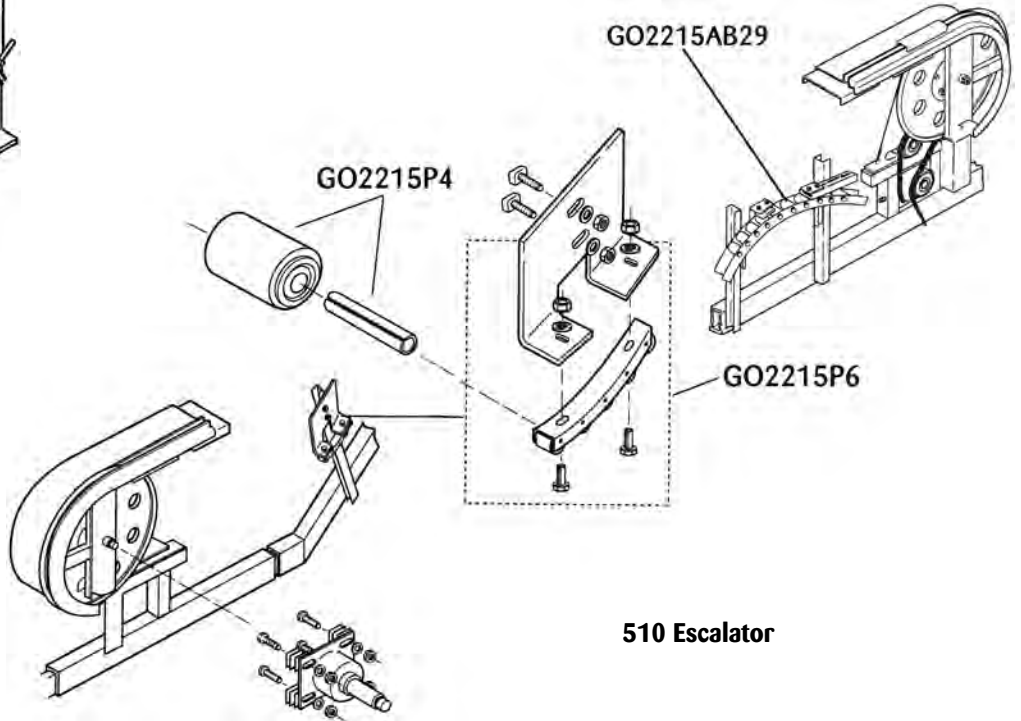
**North America: (800) 600 - 6847 • Fax (860) 286 - 1605  
Elsewhere: (860) 242-3632 • Fax (860) 286 - 1657**

# ESCALATOR PARTS

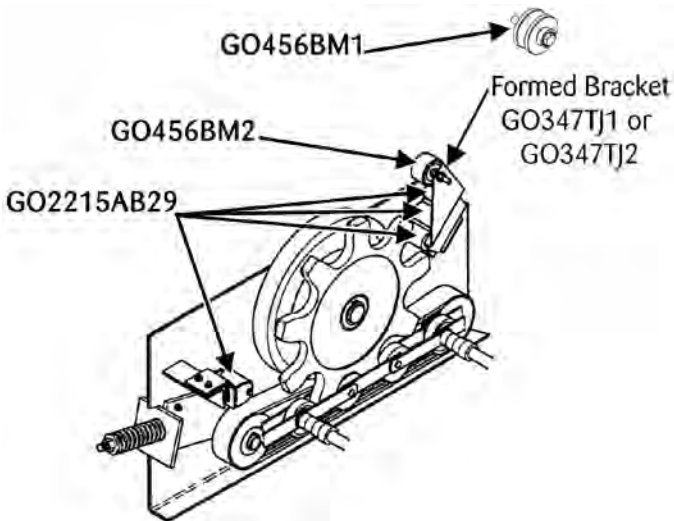
©Otis Elevator, January 2008



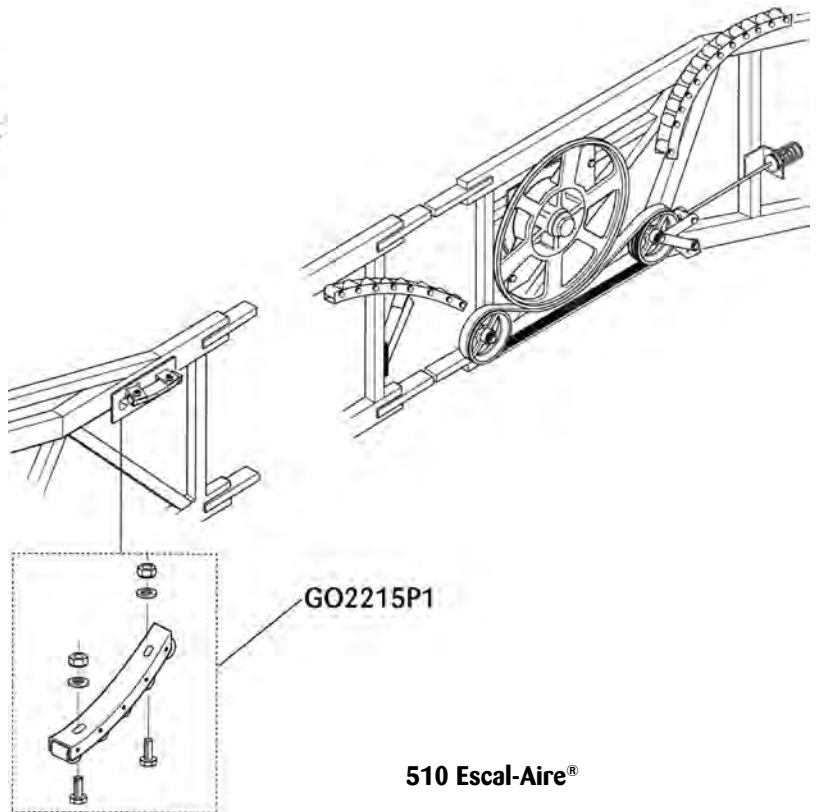
**GO2215AB43**  
506 SL (later vintage)  
510 Auxiliary Handrail Drive



**510 Escalator**



**506 SL (early vintage)**  
510 Auxiliary Handrail Drive



**510 Escal-Aire®**

North America: (800) 600 - 6847 • Fax (860) 286 - 1605  
Elsewhere: (860) 242-3632 • Fax (860) 286 - 1657

**Rollers**



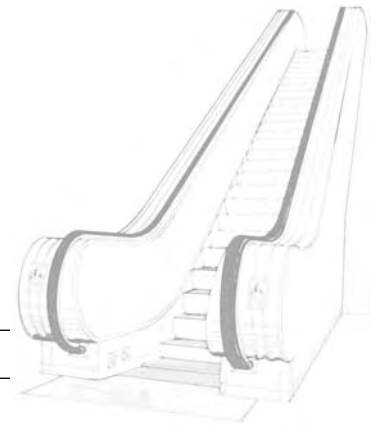
**115**

# OTIS

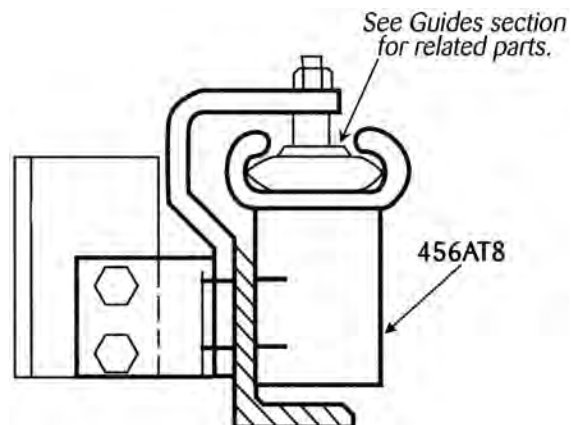
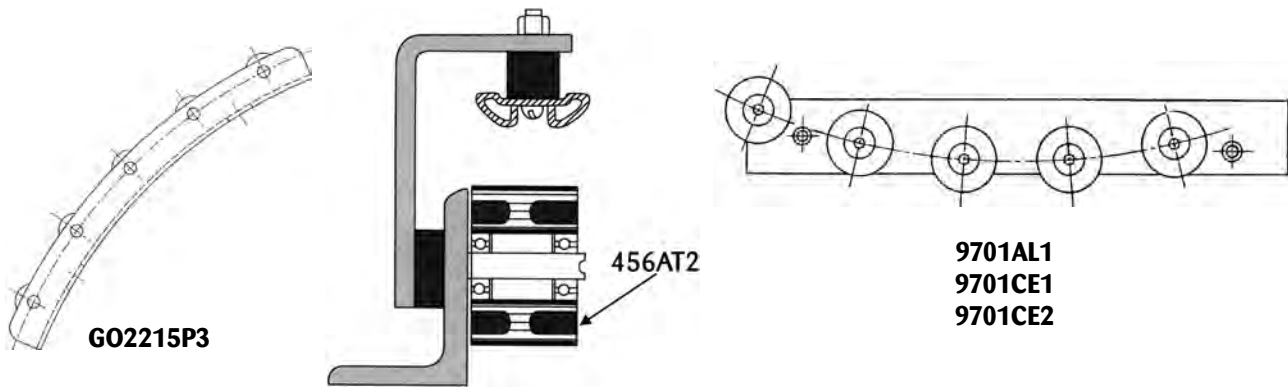
## For Handrail (continued)

Refer to SPLs C-1087, C-1088, and C-1104 (in component code 55)

Part No.	Escalator Type	Description
GO2215P3	HD-L, J Escal-Aire®, UB	Roller Support, Lower 5-Roller Cluster, Elongated Newel. Order 2 per newel.
9701AL1	J	Roller Guide, Complete Assembly, Lower Landing
9701CE2	J	Roller Guide, Left-Hand, with five GO2215AB10 Rollers
9701CE1	J	Roller Guide, Right-Hand, with five GO2215AB10 Rollers
456AT2	R, RB, RBC	Roller, Handrail Roller Guide. Includes 77KS1 pin.
2700AEJ1	RBC, Escal-Aire®	Roller Kit, Newel. Single bearing application for doubled newel bearings.
456AT6	RBC	Roller, Handrail Guide, Assembly, Upper Bow, with Anti-Friction Treatment. Includes 77KS2 pin.
456AT8	RBC	Roller, Handrail Roller Guide, with Anti-Friction Treatment. Includes 77KS1 pin. Similar to 456AT2.
456AT5	RBC	Roller, Handrail Roller Guide, without Pin or Bearings



© Otis Elevator, January 2008



116

## Rollers

North America: (800) 600 - 6847 • Fax (860) 286 - 1605  
Elsewhere: (860) 242-3632 • Fax (860) 286 - 1657

# ESCALATOR PARTS

## For Step

Refer to SPLs 53-AAA26140AAA, 53-GAA26140F, C-932A (c.c. 53), C-966 (c.c. 50), C-970F (c.c. 50), C-1090 (c.c. 56), and C-1105 (c.c. 54)

Part No.	OD	ID	Thickness	Escalator Type	Description
290BR2	3 in. (76 mm)	0.5 in. (13 mm)	1.31 in. (33 mm)	506, 506 SL, 510, J, R, RB, RBC, UB, UBSL	Wheel, Step, Die Cast Aluminum, Rubber Tire, with Extended Inner Race Bearing Assembly
290BP4-SV	3 in. (76 mm)	0.67 in. (17 mm)	0.87 in. (22 mm)	506, 510, J, R, RB, RBC, UB, UBSL	Wheel, Step, Die Cast Metallic Hub, Rubber Tire, with Bearing Assembly. See GAA290CF2 wheel for alternative.
GAA290CF2	3 in. (76 mm)	0.67 mm (17 mm)	---	506, 506 SL, 510, 610, HD, J, UB	Wheel, Step Trailer, Completely Molded Blue Polyether. Replaces GO290AJ9.
GO2215B36	4 in. (102 mm)	0.79 in. (20 mm)	1.1 in. (28 mm)	HDBK	Wheel, Step
290G1	5.5 in. (140 mm)	0.88 in. (22 mm)	1.13 in. (29 mm)	ML	Wheel, Step, Canvas Tire
A290AB1	1.57 in. (40 mm)	---	1.06 in. (27 mm)	O	Wheel, Step, Canvas Roller, with 2 Ball Bearings & Alemite™ Fittings
A290AB2	1.57 in. (40 mm)	---	1.06 in. (27 mm)	O	Wheel, Step, Poly Roller, with 2 Ball Bearings & Alemite™ Fittings
AAA27076CS1	3 in. (76 mm)	0.75 in. (19 mm)	0.88 in. (22 mm)	R, RB, RBC	Wheel, Step Trailer, Die Cast Aluminum, Rubber Tire. Replaces 290AJ2.
290AX2	4 in. (102 mm)	---	0.88 in. (22 mm)	RA	Wheel, Step, Die Cast Aluminum, Rubber Tire, Assembled with 207Z17 Bearing Assembly.



290BR2



290BP4-SV



GAA290CF2



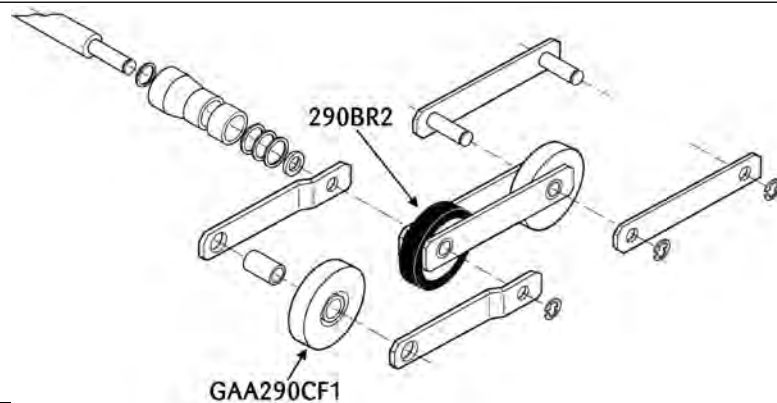
GO2215B36



AAA27076CS1



290AX2



North America: (800) 600 - 6847 • Fax (860) 286 - 1605  
Elsewhere: (860) 242-3632 • Fax (860) 286 - 1657

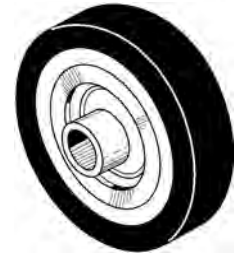
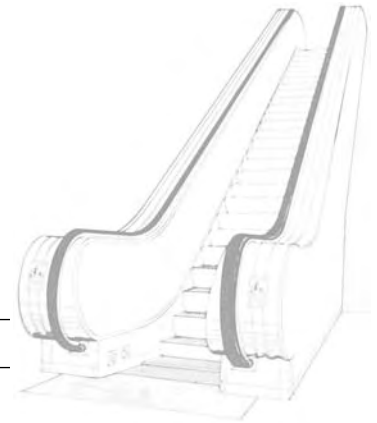
Rollers

# OTIS

## For Step Chain

Refer to SPLs 54-GAA26150E, C-932A (c.c. 53), C-970F (c.c. 50), C-1090 (c.c. 56), and C-1105 (c.c. 54)

Part No.	OD	ID	Thickness	Escalator Type	Description
GO290AD5	3 in. (76 mm)	0.98 in. (25 mm)		510, 610	Roller, Step & Pallet Chain, Neoprene
GO290AJ8	3 in. (76 mm)	0.59 in. (15 mm)	0.87 in. (22 mm)	510, 610	Roller, Step & Pallet Chain, Blue Polyether
GAA290CF1	3 in. (76 mm)	0.5 in. (13 mm)		506, 506 SL, 606, UBSL	Roller, Step Chain, Blue Polyether
GXF0290AR502	4 in. (102 mm)	---		HD, 516	Roller, Step Chain
290BR2	3 in. (76 mm)	0.5 in. (13 mm)		J, R, RB	Roller, Step Chain, Rubber, with Extended Inner Race Bearing
290F1-Y	5.5 in. (140 mm)	1.12 in. (28 mm)	---	ML	Wheel, Step Chain, Canvas Tire, 1.5 in. (38,1 mm) Hub Width
290F1-Y-SV	5.5 in. (140 mm)	1.5 in. (38 mm)	1.5 in. (38 mm)	ML	Wheel, Step Chain, Poly Tire
456BK1	2.75 in. (70 mm)	1.5 in. (38 mm)		R, RB	Roller, Step Chain Guide, Rubber Tire
456BK2	2.75 in. (70 mm)	0.75 in. (19 mm)		R, RB	Roller, Step Chain Guide, Rubber Tire, with Bearing & Ring
GAA290CF1	3 in. (76 mm)	0.5 in. (13 mm)		R, RB, RBC	Roller, Step Chain. Replaces 290AJ2.
290AX2	4 in. (102 mm)	0.98 in. (25 mm)		RA	Roller, Step Chain
1-290AX1	4 in. (102 mm)	1.12 in. (28 mm)		RA	Roller, Step Chain
GO290AD1	3 in. (76 mm)	0.8 in. (20 mm)		UB	Roller, Step Chain
GAA290CB1	3 in. (76 mm)	0.6 in. (15 mm)		UB	Roller, Step Chain (same as GO290AD1 except ID)



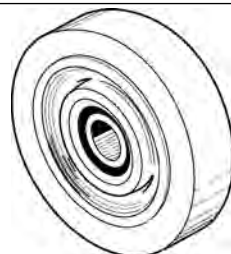
**GO290AD1  
GO290AD3  
GO290AD5**



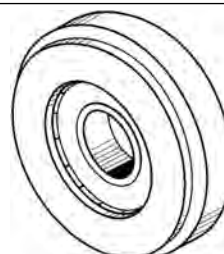
**GO290AJ8**



**290BR2  
GAA290CF1**



**290F1-Y**



**456BK1, 456BK2**



**GXF0290AR502**



# ESCALATOR PARTS

## Miscellaneous

Refer to SPLs 55-GAA26180J, C-966 (c.c. 50), and C-1102 (c.c. 52)

Part No.	Escalator Type	Description
7115FY2	J	Assembly, Roller, Middle Span Handrail Dual-Roller Handrail Support, w/Bracket
GO456AD1	J, UBSL	Roller, Tension Carriage, Steel
456AR1	ML-B, C	Roller, Cast Iron
456AR2	ML-B, C	Roller, Cast Iron, with Ball Bearing
456AV1	O	Roller, Steel, with 1.18 Bore
GAA456CD1	506 NCE	Roller with Shaft. For standard linear handrail drive.
GAA456CD2	506 NCE	Roller without Shaft, Handrail Speed Sensing
GAA456CD3	506 NCE	Roller without Shaft, Handrail Speed Sensing
GAA456CD4	506 NCE	Roller with Shaft, Handrail Speed Sensing



**GO456AD1,  
456AV1**



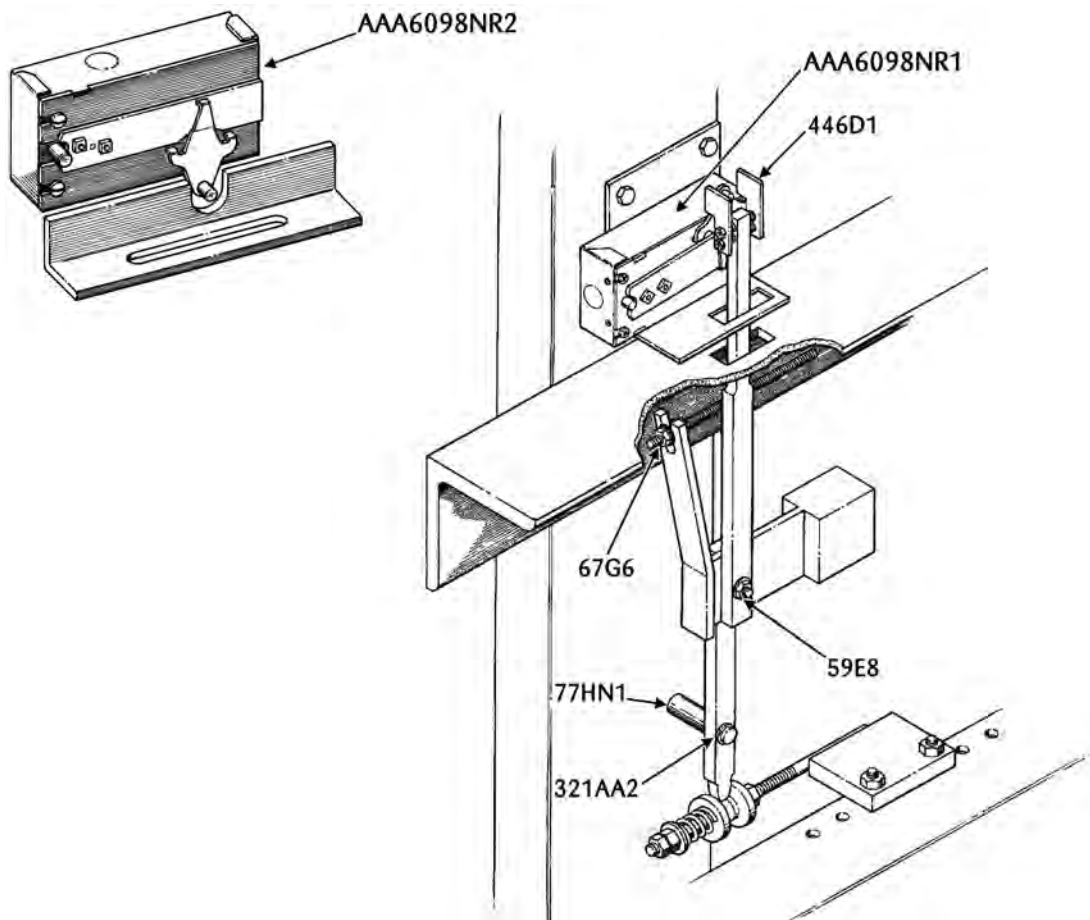
# OTIS

## Safety Devices

### Broken Step-Chain Safety Device

Refer to SPLs C-966 and C-970F (in component code 50)

Part No.	Escalator Type	Description
59E8	R, RB, RBC	Bolt
321AA2	R, RB, RBC	Bushing, Oil-Less
67G6	R, RB, RBC	Nut
77HN1	R, RB, RBC	Pin, Steel
AAA6098NR1	R, RB, RBC	Switch, Mechanical, Left-Hand
AAA6098NR2	R, RB, RBC	Switch, Mechanical, Right-Hand
446D1	R, RB, RBC	Tripper



© Otis Elevator, January 2008



120

Safety Devices

North America: (800) 600 - 6847 • Fax (860) 286 - 1605  
Elsewhere: (860) 242-3632 • Fax (860) 286 - 1657



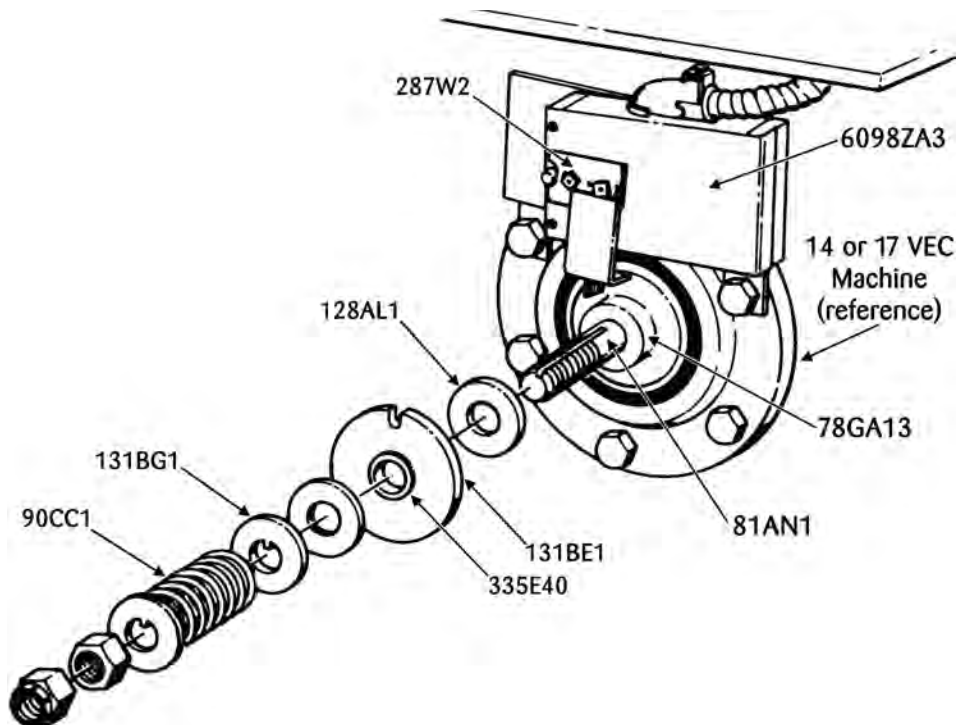
# ESCALATOR PARTS

## Friction Non-Reversal Devices

Refer to SPLs C-969E (c.c. 50), C-1083A (c.c. 06), C-1084A (c.c. 50), and C-1089 (c.c. 52)

Part No.	Escalator Type	Description
335E40	J, R, RB, RBC	Bushing, Oil-less
78GA13	J, R, RB, RBC	Pin, Lock
81AN1	J, R, RB, RBC	Shaft Extension
90CC1	J, R, RB, RBC	Spring
177AV1	R, RB, RBC	Step Chain Tension Device
287W2	J, R, RB, RBC	Switch Arm
128AL1	J, R, RB, RBC	Washer, Bronze
131BE1	J, R, RB, RBC	Washer, Steel Drive, Notched
131BG1	J, R, RB, RBC	Washer, Steel, Keyed

©Otis Elevator, January 2008



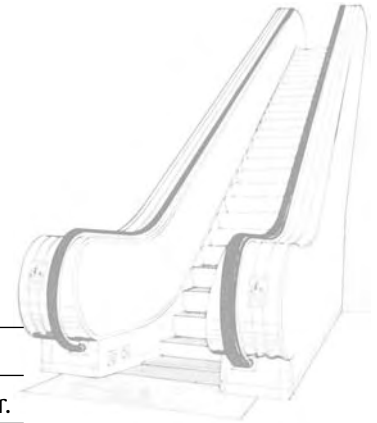
North America: (800) 600 - 6847 • Fax (860) 286 - 1605  
Elsewhere: (860) 242-3632 • Fax (860) 286 - 1657

Safety Devices



121

# OTIS

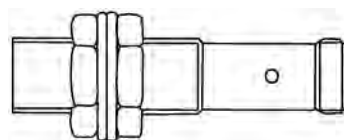
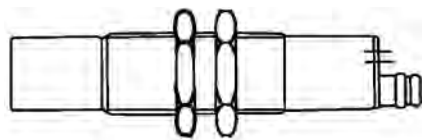
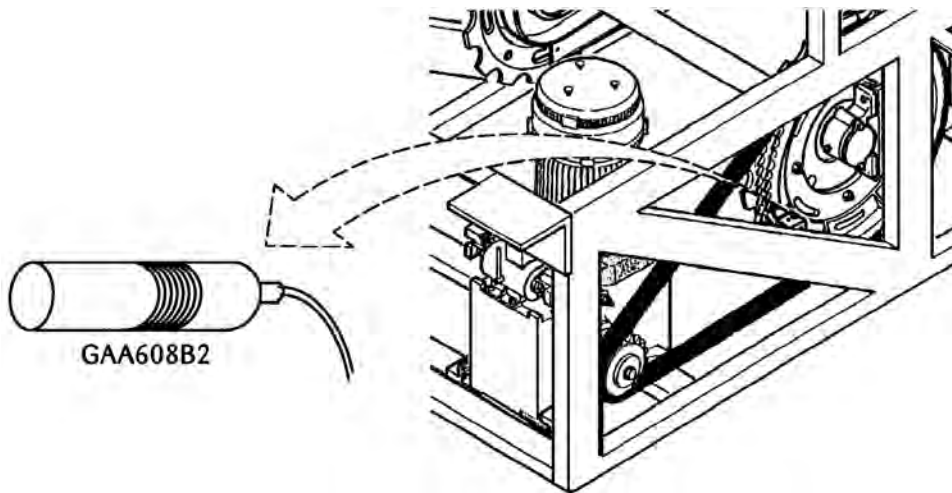


## Inductors

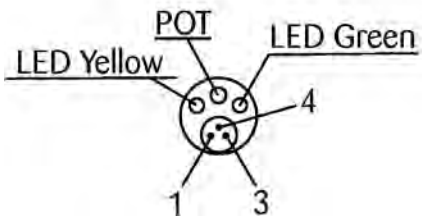
Refer to SPLs 55-GAA26180J, 55-GAA26180M, and 55-GAA26380D

Part No.	Escalator Type	Description
GAA608B2	513 NPE	Inductive Proximity Sensor. For main drive speed sensor.
GAA608A2	506 NCE, 513 NPE, 606 NCT	Inductive Proximity Sensor, M12, Plug Socket Connection. For handrail speed monitoring device. (For cable, see "Miscellaneous" parts in this section.)
GAA608D2	506 NCE, 513 NPE, 606 NCT, 610 NPT	Inductive Proximity Sensor, M8, Quick-Disconnect. For missing step devices and missing pallet devices. See note below.

**NOTE:** If replacing a GAA608D1 inductive proximity sensor for the first time, order cable GAA174XK1 and GAA608D2.



GAA608A2



GAA608D2



# ESCALATOR PARTS

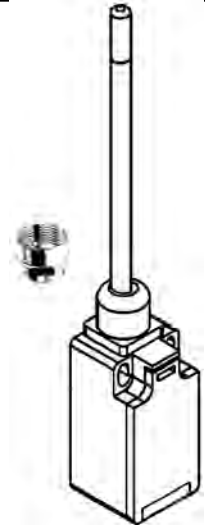
## Microswitches

Refer to SPL 51-9703GM

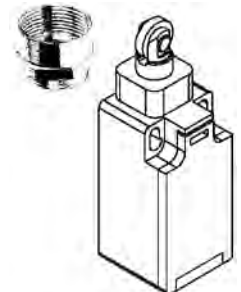
**NOTE 1:** For additional switches and sensors, see Microswitches Section in this catalog.

**NOTE 2:** See Miscellaneous Section "Adaptor, Cable Gland-M20" for use with later microswitches when replacing earlier GO177 type switches.

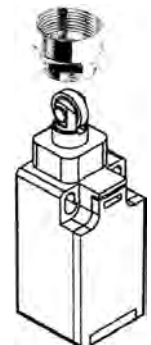
Part No.	Escalator Type	Description
GBA177GY1		Microswitch, Floor Plate Safety Device
GBA177HA1	506 NCE, 510, 513 NPE, 606 NCT (*506, 510, 513)	Microswitch. Comb Step Impact Contact. Also for skirt safety contact/skirt obstruction device, handrail lifting control contact, step upthrust device, auxiliary brake mechanical release (step trailer wheel contact*).
GBA177HK1	506, 506 NCE, 510, 513 NPE-SR, 516, 606 NCT, 610 NPT	Microswitch, Comb Step Impact Contact. Also for broken drive chain contact, step level device, and pallet monitoring device, auto reset.
GBA177HK2	513 NPE, 606 NCT, 610 NPT	Microswitch, Comb Step Impact Contact
GBA177HL2	506, 506 NCE, 510, 513 NPE, 610 NPT	Microswitch (Roller Type), Broken Step Chain, & Pallet Axle Contact (serve same application as old switches GO177BX5 & GO177AG6)
GBA177HM1	506 SL, 506 NCE	Microswitch, Step Roller Monitoring (serve same application as old GO177CJ1)
GO2215AP1		Microswitch, Skirt Safety Contact/Skirt Obstruction Device
GBA177EG1		Microswitch, Handrail Breaking Device (replaces GO177AG4)



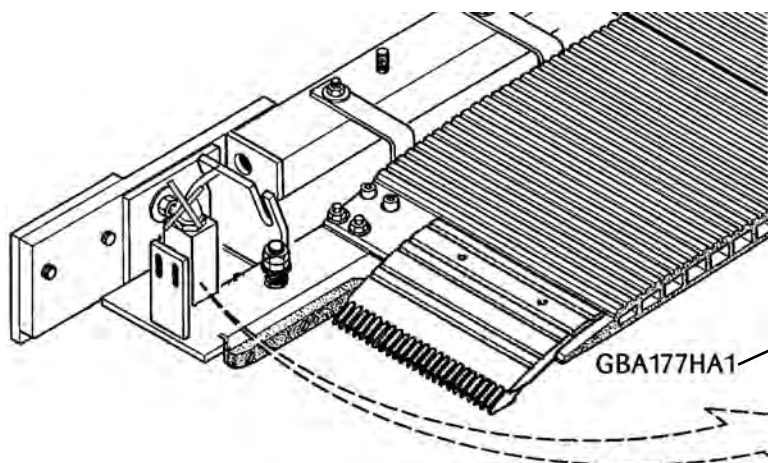
**GBA177GY1**



**GBA177HK1**

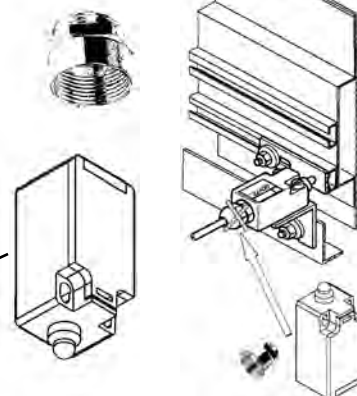


**GBA177HK2**



GBA177HA1

**NOTE:** See p. 128 for glands and adapters.



**GO2215AP1**

North America: (800) 600 - 6847 • Fax (860) 286 - 1605  
Elsewhere: (860) 242-3632 • Fax (860) 286 - 1657

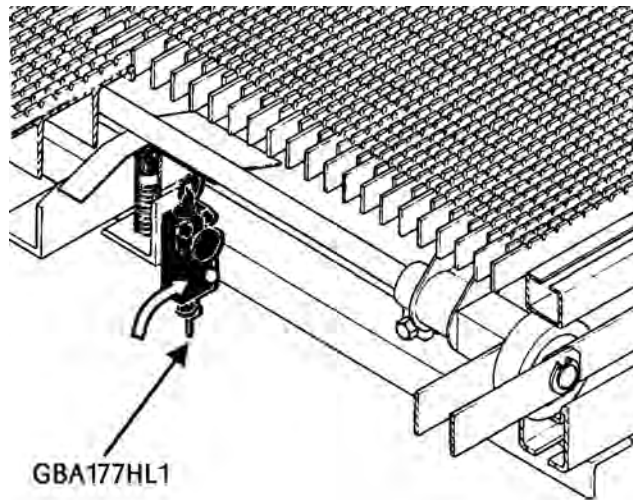
Safety Devices

# OTIS



## Microswitches (continued)

Part No.	Escalator Type	Description
GBA177HL1	606 NCT	Microswitch, 6-Group Fault Finder. For pallet (level) monitoring device. Manual Reset.
GO177AG7	506, 506 SL, 510, J, R, RB, RBC	Microswitch (Button Plunger Type), Missing Step Device & Overspeed Switch. For 16 VEC machines.
GO177AG1		Microswitch. Later application use GBA177HA1, HK1.
GO177AG2		Microswitch. Later application use GBA177HK1.
GO177BX1		Microswitch. Later application use GBA177HA1, HK1.
GO177BX2		Microswitch. Later application use GBA177HK1.
GO177BX5		Microswitch. Later application use GBA177HL2.
GO177AG6		Microswitch (Roller Type). Later application use GBA177HL2.
GO177CJ1		Microswitch. Later application use GBA177HM1.



## Missing Step Devices

Part No.	Escalator Type	Description
GO9703CY28	506, 506 SL, 510, J, R, RB, RBC	Missing Step Device, Upper, Left-Hand (Contains GO177AG7 Microswitch)
GO9703CY29	506, 506 SL, 510, J, R, RB, RBC	Missing Step Device, Lower, Right-Hand (Contains GO177AG7 Microswitch)



# ESCALATOR PARTS

## Skirt Brushes

**Note:** Contact Customer Service with escalator type, rise, and color.

Part No.	Escalator Type	Color	Hand	Incline	Description
GAA402CDY1	506, 506 SL, 510 L, 510 S, NCE, NPE-S/SR	Silver	Left	Lower & Upper	Bush Holder Profile, 30°
GAA402CDY25	506, 506 SL, 510 L, 510 S, NCE, NPE-S/SR	Black	Left	Lower & Upper	Bush Holder Profile, 30°
GAA402CDY51	506, 506 SL, 510 L, 510 S, NCE, NPE-S/SR	Silver	Right	Lower & Upper	Bush Holder Profile, 30°
GAA402CDY75	506, 506 SL, 510 L, 510 S, NCE, NPE-S/SR	Black	Right	Lower & Upper	Bush Holder Profile, 30°
GAA402CDY6	510 S, HD-A-B-C, HDL-K, J, NPE-L/XL, NPE-S/SR, R, UB, UBSL	Silver	Left	Lower & Upper	Bush Holder Profile, 30°
GAA402CDY30	510 S, HD-A-B-C, HDL-K, J, NPE-L/XL, NPE-S/SR, R, UB, UBSL	Black	Left	Lower & Upper	Bush Holder Profile, 30°
GAA402CDY56	510 S, HD-A-B-C, HDL-K, J, NPE-L/XL, NPE-S/SR, R, UB, UBSL	Silver	Right	Lower & Upper	Bush Holder Profile, 30°
GAA402CDY80	510 S, HD-A-B-C, HDL-K, J, NPE-L/XL, NPE-S/SR, R, UB, UBSL	Black	Right	Lower & Upper	Bush Holder Profile, 30°
GAA402CDY14	510 L, MPE, NPE-L/XL, SIGMA	Silver	Left	Lower	Bush Holder Profile, 30°
GAA402CDY38	510 L, MPE, NPE-L/XL, SIGMA	Black	Left	Lower	Bush Holder Profile, 30°
GAA402CDY64	510 L, MPE, NPE-L/XL, SIGMA	Silver	Right	Lower	Bush Holder Profile, 30°
GAA402CDY88	510 L, MPE, NPE-L/XL, SIGMA	Black	Right	Lower	Bush Holder Profile, 30°



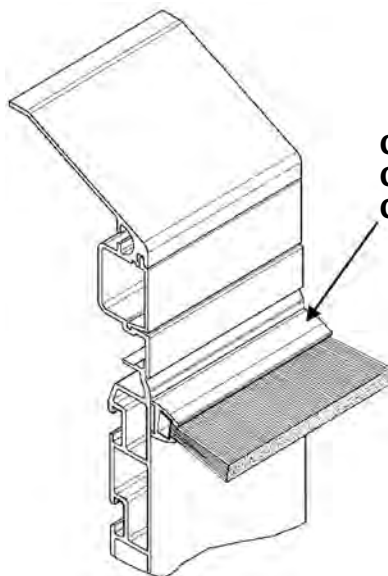
# OTIS



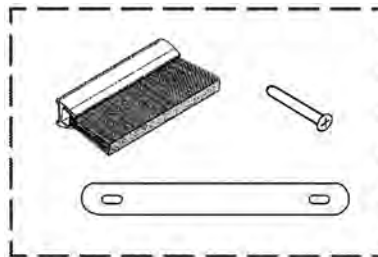
## Skirt Brushes (continued)

Part No.	Escalator Type	Color	Hand	Incline	Description
GAA402CDZ12	510 L, NPE-L	Silver	Left	Upper	Bush Holder Profile, 30°
GAA402CDZ36	510 L, NPE-L	Black	Left	Upper	Bush Holder Profile, 30°
GAA402CDZ62	510 L, NPE-L	Silver	Right	Upper	Bush Holder Profile, 30°
GAA402CDZ86	510 L, NPE-L	Black	Right	Upper	Bush Holder Profile, 30°
GAA402CES1	HD-A-B-C, SIGMA	Silver	---	---	Brush Holder Profile, Straight
GAA402CES2	HD-A-B-C, SIGMA	Black	---	---	Brush Holder Profile, Straight
GAA27077K1		Silver	---	---	Brush and Mounting Hardware, Straight Section, 3 M
GAA27077K2		Black	---	---	Brush and Mounting Hardware, Straight Section, 3 M
GAA241G2		---	---	---	Brush, Inclined Section
GAA241G1		---	---	---	Brush, Landings
GAA450AZ1		---	---	---	Connecting Link
GAA273WJ1		---	Left	---	End Cap
GAA273WJ2		---	Right	---	End Cap

© Otis Elevator, January 2008



GAA402CDY,  
GAA402CDZ,  
GAA402CES



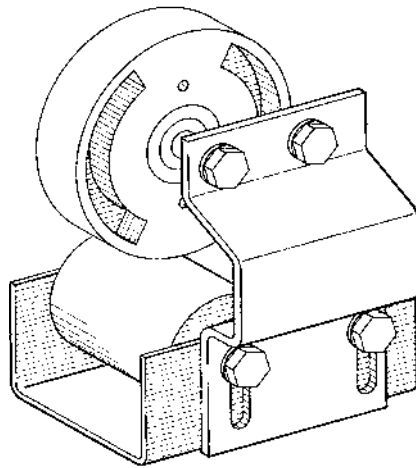
GAA27077K1,  
GAA27077K2



# ESCALATOR PARTS

## Stopped Handrail Devices

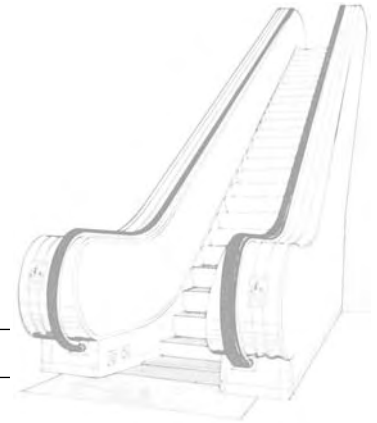
Part No.	Escalator Type	Description
9703JN1E196	506	Stopped Handrail Device, Controller Equipment to Detect a Stalled Handrail & Stop the Escalator. Order with GO177DS1 proximity switch and GO174JJ1 cable.
YX9703JN1	506 SL	Stopped Handrail Device, Normal. Order with GO177DS3 proximity switch or set of GO177DS1 and GO174JJ1 cable.
YX9703JN5	506 SL	Stopped Handrail Device, Weatherproof. Order with GO177DS3 proximity switch or set of GO177DS1 and GO174JJ1 cable.



**YX9703JN1**  
**YX9703JN5**



# OTIS

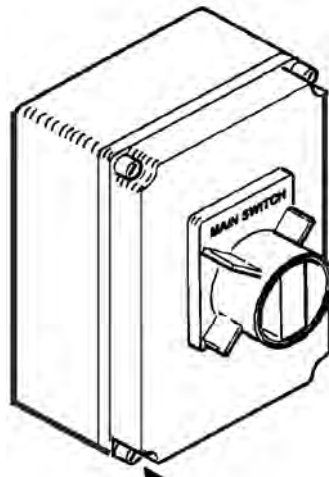


## Miscellaneous

Refer to SPLs 50-GAA27078B, 51-9703GM, 51-GO9704BX, and 51-GAA26431A

Part No.	Escalator Type	Description
GAA381H1	510, 516, 506 NCE, 513 NPE, 513 NPE-SR, 610 NPT, 606 NCT	Adapter, M20x1,5. For later types of safety switches. Adapts PG-11 thread gland to M20 thread switch.
GAA174RN1	506 NCE, 513 NPE, 606 NCT	Cable. For GAA608A2 inductive proximity sensor for handrail speed monitoring device.
GAA174XK1	506 NCE, 513 NPE	Cable. For GAA608D2 inductive proximity sensor for missing step device.
GO373G2	All	Gland, PG-11 Thread
GAA381A3	All	Gland, M20 Thread
GAA290BY1	513 NPE	Roller. For handrail lifting control contact.
GO177AX101		Switch, Main, 15 kW
GO177AX102		Switch, Main, 18,5 kW
GO177AX103		Switch, Main, 22 kW
AAA22800H401	506 SL	Switch, Pit. Push to Stop, Pull to Run. Designated SSSL
GO385EP1	506, 506 NCE, 510, 606 NCT, 610 NPT	Tension Box (located in conjunction with broken drive chain contact)

© Otis Elevator, January 2008



GO177AX101,  
GO177AX102,  
GO177AX103



**Safety Devices**

**North America: (800) 600 - 6847 • Fax (860) 286 - 1605  
Elsewhere: (860) 242-3632 • Fax (860) 286 - 1657**



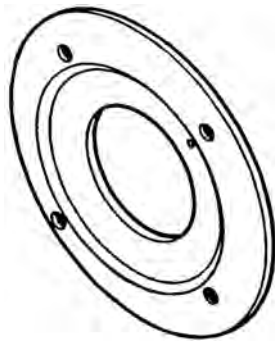
# ESCALATOR PARTS

## Sprockets, Pulleys, Sheaves, and Discs

### Brake Discs

Refer to SPL C-1101 (in component code 50)

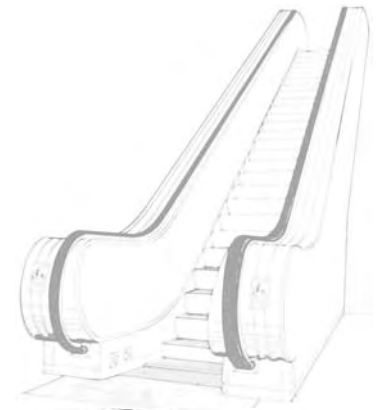
Part No.	Ref. OD	Escalator Type	Description
GO196AA1	28 in. (711 mm)	506 SL	Disc, Brake
GO196H1	28 in. (711 mm)	506, 606	Disc, Brake
GO196R1	28.3 in. (719 mm)	510	Disc, Brake. For wedge-type brake.
GOA196C1	30.7 in. (780 mm)	UBSL	Disc, Brake
AAA26220L1	30.7 in. (780 mm)	UBSL	Kit, Emergency Brake Disc. Includes GOA196C1 brake disc and AAA415AS1 shoe. Used as initial replacement for GO196C1.



**GO196AA1,  
GO196H1**



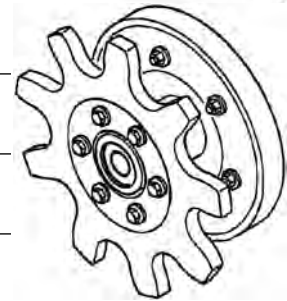
# OTIS



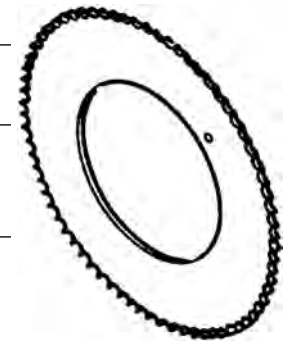
## For Handrail Drives

Refer to SPL 55-GAA26180J

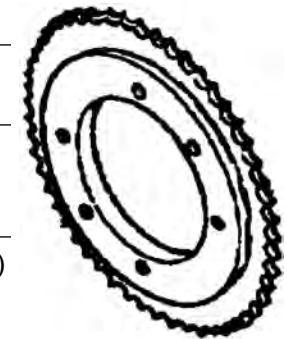
Part No.	No. of Teeth	Ref. OD	Escalator Type	Description
GOA2215AB32			506 SL	Sheave Assembly, Handrail Drive. Includes sprocket.
GO195JD1	66		506, 606	Sprocket, Handrail Drive. For main drive.
GO265AH3		30.7 in. (780 mm)	510	Sheave, Handrail Drive, Individual. With rubber rim (newel).
GO195JN1	52	17.1 in. (434 mm)	510	Sprocket, Handrail Drive
GO195JH1	52		510	Sprocket, Handrail Drive. For main drive.
GOA265A4		28.8 in. (732 mm)	510 Escal-Aire® J	Sheave, Handrail Drive at Belt Tensioner. Bolts to handrail drive sprocket YXGO195BL1.
4605A24			J	Pulley Assembly, 1 in., Handrail Drive. Includes sprocket YXGO195BL1.
YXGOA265C1		30.7 in. (780 mm)	J	Pulley, Handrail Idler, Lower End
YXGOA195BF1		5.1 in. (130 mm)	J	Sprocket, Handrail Chain Tension Device (4 per escalator, 2 per side)
YXGOA265A4		30.7 in. (780 mm)	J Escal-Aire®	Pulley, Handrail Drive, 1 in. (25 mm) Rim. Bolts to handrail drive sprocket YXGO195BL1. See also 4605A24.
YXGOA265A2		30.7 in. (780 mm)	J Escal-Aire®	Pulley, Handrail Drive, 1.5 in. (38 mm) Rim. Bolts to handrail drive sprocket YXGO195BL1.
4605A25			J, J Escal-Aire®	Pulley Assembly, 1.5 in. Rim Handrail Drive. Includes sprocket YXGO195BL1.
YXGO195BL1	68	16.6 in. (422 mm)	J, J Escal-Aire®	Sprocket, Handrail Drive, Upper End (also used in 4605A24 & A25)



GOA2215AB32



GO195JD1



GO195JN1



GO195JH1

©Otis Elevator, January 2008

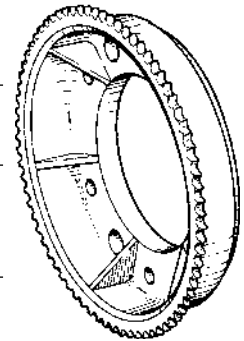


# ESCALATOR PARTS

## For Handrail Drives (continued)

Refer to SPLs C-970F and C-1086 (in component code 50), and C-1087, C-1088, C-1103, and C-1104 (in component code 55)

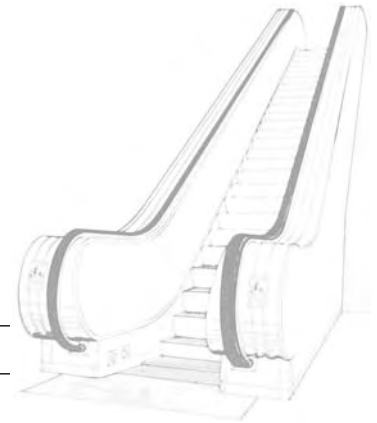
	No. of		Escalator	
195BV1	75	18.3 in. (465 mm)	R, RB	Sprocket, Handrail Drive
195BZ1	24	6.1 in. (155 mm)	RB (32, 48)	Sprocket, Handrail Drive Idler. Order 2 per side.
195CB1	68	16.7 in. (424 mm)	RB (32, 48)	Sprocket, Handrail Drive. Mounted on handrail drive pulley. Order 1 per side.
265AW1		30.7 in. (780 mm)	RB (32, 48)	Pulley, Handrail Drive. Order 1 per side.
A195BV1	75	24.5 in. (622 mm)	RBC (32, 48)	Sprocket, Handrail Drive
195FW1		8.1 in. (206 mm)	RBC (32, 48)	Sprocket, Handrail Drive Idler. Order 2 per side.
YXGOA195BG1	19	6.6 in. (168 in.)	UB	Sprocket, Handrail/Countershaft Chain Tension Device



**195BV1**



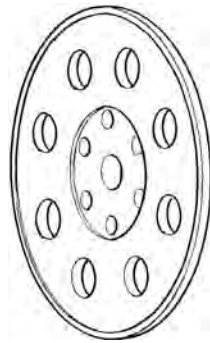
# OTIS



## For Newels

Refer to SPLs C-970F (c.c. 50) and C-1087 (c.c. 55)

Part No.	Ref. OD	Escalator Type	Description
GO265AG3	30.7 in. (780 mm)	510	Sheave, Newel Handrail Idler, Lower End
265AV1	30.7 in. (780 mm)	R, RB	Sheave, Newel Handrail, Lower



**GO265AG3**

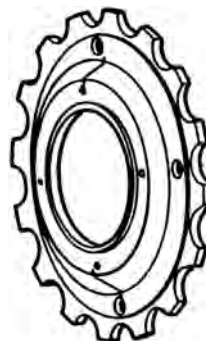
## For Main Drives

Refer to SPL C-1101 (in component code 50)

Part No.	No. of Teeth	Ref. OD	Escalator Type	Description
GO195JW1	68	27.6 in. (701 mm)	506, 506 SL	Sprocket, Bull, 0.25 in. Off-Set Hub. For main drive.
GO195JE1	68		506, 506 SL, 606	Sprocket, Bull, 1.75 in. Off-Set Hub. For main drive.
YXGO195BR2	79	25.7 in. (653 mm)	J	Sprocket, Handrail Drive (special order only)
YXGO195CG1	85 Triple	34.4 in. (874 mm)	J	Sprocket, Main Drive, Triple Tooth



**GO195JE1,  
GO195JW1**



**GO195JV1**

©Otis Elevator, January 2008

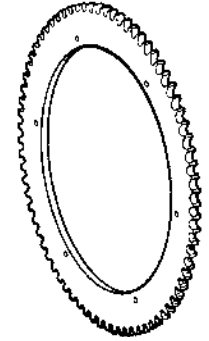


# ESCALATOR PARTS

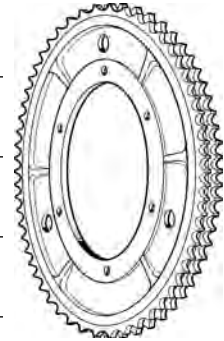
## For Main Drives (continued)

Refer to SPLs C-970F, C-1086, and C-1101 (in component code 50)

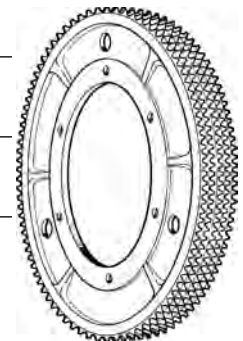
Part No.	No. of Teeth	Ref. OD	Escalator Type	Description
YXGO195BR1	75	24.4 in. (620 mm)	J, UB, UBSL	Sprocket, Handrail Drive (mounting to main drive)
YXGO195BP1	85 Double		J, UB, UBSL	Sprocket, Main Drive, Double Tooth
195FR1	90 Double		R, RB, RBC	Sprocket, Bull. For main drive.
195FS1	90		R, RB, RBC	Sprocket, Bull. For main drive.
195EY1	142 Quintuple	34.3 in. (871 mm)	R, RB, RBC	Sprocket, Drive
GO195HS7	23 Double	9.7 in. (246 mm)	UB	Sprocket, Output Machine Drive
GO195HS1	17 Double	7.3 in. (185 mm)	UB	Sprocket, Output Machine Drive. For 16 VEC-RH machines.
GO195HS2	18 Double	7.7 in. (196 mm)	UB	Sprocket, Output Machine Drive. For 16 VEC-RH machines.
GO195HS3	19 Double	8.1 in. (206 mm)	UB	Sprocket, Output Machine Drive. For 16 VEC-RH machines.
GO195HS4	20 Double	8.5 in. (216 mm)	UB	Sprocket, Output Machine Drive. For 16 VEC-RH machines.
GO195HS5	21 Double	8.9 in. (226 mm)	UB	Sprocket, Output Machine Drive. For 16 VEC-RH machines.
GO195HS6	22 Double	9.3 in. (236 mm)	UBSL (1000)	Sprocket, Output Machine Drive. For 16 VEC-RH machines.



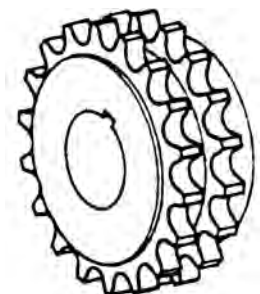
YXGO195BR1



195FR1



195EY1

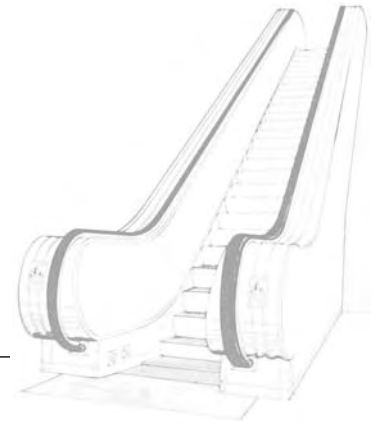


GO195HS\_

# OTIS

## For Step Chains

Refer to SPLs C-970F, C-1086, and C-1101 (in component code 50), and C-1089 and C-1102 (in component code 52)



Part No.	No. of Teeth	Ref. OD	Escalator Type	Description
GO195JV1	16	27.5 in. (699 mm)	506, 506 SL	Sprocket, Main Drive (Step Chain), 1.875 in. (48 mm) Overall Width
GO195JC1				Sprocket, Step Chain, 12.6 in. (320 mm) ID. For main drive.
GO195JC4	16	27.5 in. (699 mm)	506, 506 SL	Sprocket, Step Chain, 13.8 in. (350 mm) ID, 2.09 in. (53 mm) Overall Width. For main drive.
GO195BS1	16		J, UB	Sprocket, Tension Carriage
GO195BN1	20	34.1 in. (866 mm)	J, UB, UBSL	Sprocket, Step Chain
195EW1	20	35.3 in. (897 mm)	R, RB	Sprocket, Step Chain
195DF1	20	35.3 in. (897 mm)	R, RB	Sprocket, Step Chain. For track chain guides.
195DF2	20	35.3 in. (897 mm)	R, RB	Sprocket, Step Chain. Drilled for helical gear 199J1. For track chain guides.
A195BY1		28.6 in. (726 mm)	R, RB	Sprocket, Tension Carriage. For step chain.
195BX1	20	35.3 in. (897 mm)	R, RB, RBC	Sprocket, Step Chain. For roller chain guides.
195BX2	20	35.3 in. (897 mm)	R, RB, RBC	Sprocket, Step Chain. Drilled for helical gear 199J1. For roller chain guides.
A195EW1	20	35.3 in. (897 mm)	RBC (23, 48)	Sprocket, Step Chain. For brake side.
195FX1	16	28.5 in. (724 mm)	RBC (23, 48)	Sprocket, Tension Carriage
A195DF2	20	35.3 in. (897 mm)	RBC (32, 48)	Sprocket, Step Chain

©Otis Elevator, January 2008

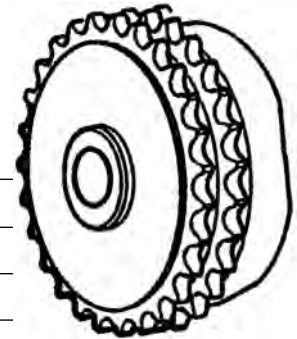


# ESCALATOR PARTS

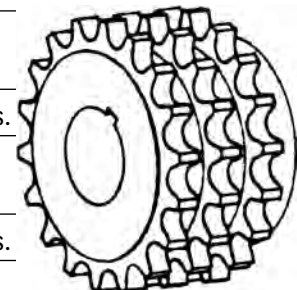
## Machine Output Sprockets

Refer to SPLs 06-9703AD, 06-GAA20401A, 50-9703AD, C-969E (c.c. 50), C-1083A (c.c. 06), and C-1084A (c.c. 50)

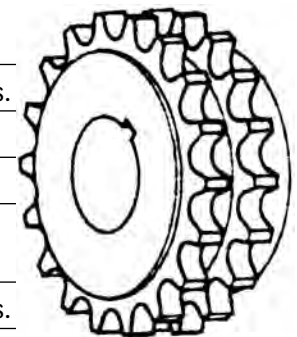
Part No.	No. of Teeth	Ref. OD	Description
GAA20401A526	27 Double	1.25 in. (32 mm)	Sprocket. For EC 143 machines.
GAA20401A527	18 Double	1.25 in. (32 mm)	Sprocket. For EC 143 machines.
GAA20401A528	19 Double	1.25 in. (32 mm)	Sprocket. For EC 143 machines.
GAA20401A529	20 Double	1.25 in. (32 mm)	Sprocket. For EC 143 machines.
GAA20401A530	21 Double	1.25 in. (32 mm)	Sprocket. For EC 143 machines.
GAA20401A531	22 Double	1.25 in. (32 mm)	Sprocket. For EC 143 machines.
GAA20401A532	23 Double	1.25 in. (32 mm)	Sprocket. For EC 143 machines.
GAA20401A533	24 Double	1.25 in. (32 mm)	Sprocket. For EC 143 machines.
195FB2	22 Quintuple	5.9 in. (150 mm)	Sprocket. For 17 VEC machines.
GO195HR1	17 Triple	7.3 in. (185 mm)	Sprocket, Output Machine Drive. For 16 VEC-RH machines.
GO195JP1	17	7.3 in. (185 mm)	Sprocket. For 16 VEC-RH machines.
GO195HR2	18 Triple	7.7 in. (196 mm)	Sprocket, Output Machine Drive. For 16 VEC-RH machines.
GO195JP2	18	7.7 in. (196 mm)	Sprocket. For 16 VEC-RH machines.
GO195HR3	19 Triple	8.1 in. (206 mm)	Sprocket, Output Machine Drive. For 16 VEC-RH machines.
GO195JP3	19	8.1 in. (206 mm)	Sprocket. For 16 VEC-RH machines.
GO195HR4	20 Triple	8.5 in. (216 mm)	Sprocket, Output Machine Drive. For 16 VEC-RH machines.
GO195JP4	20	8.5 in. (216 mm)	Sprocket. For 16 VEC-RH machines.
GO195HR5	21 Triple	8.9 in. (226 mm)	Sprocket, Output Machine Drive. For 16 VEC-RH machines.
GO195JP5	21	8.9 in. (226 mm)	Sprocket. For 16 VEC-RH machines.
195GH3	21 Double	8.9 in. (226 mm)	Sprocket. For 17 VEC machines.
195GJ3	21	8.9 in. (226 mm)	Sprocket. For 17 VEC machines.
GO195HR6	22 Triple	9.3 in. (236 mm)	Sprocket, Output Machine Drive. For 16 VEC-RH machines.
GO195JP6	22	9.3 in. (236 mm)	Sprocket. For 16 VEC-RH machines.
195FN2	22	9.4 in. (239 mm)	Sprocket. For 17 VEC machines.
195FP2	22 Double	9.4 in. (239 mm)	Sprocket. For 17 VEC machines.
195FB1	Quintuple	5.6 in. (142 mm)	Sprocket, Drive, 5-Row. For output machine. For 16 VEC machines



GAA20401A526  
GAA20401A527  
GAA20401A528  
GAA20401A529  
GAA20401A530  
GAA20401A531  
GAA20401A532  
GAA20401A533

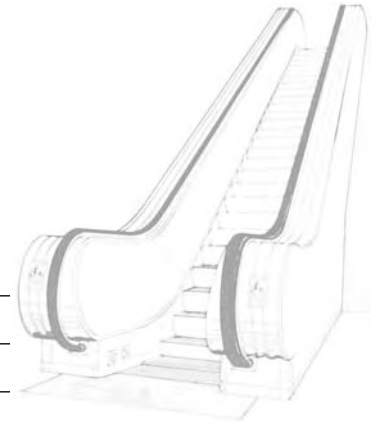


GO195HR1  
GO195HR2  
GO195HR3  
GO195HR4  
GO195HR5  
GO195HR6



GO195JP1  
GO195JP2  
GO195JP3  
GO195JP4  
GO195JP5  
GO195JP6

# OTIS



## Miscellaneous

Part No.	No. of Teeth	Ref. OD	Escalator Type	Description
GO195ET1	17	7.3"	UB	Sprocket. For 1.25" Pitch Roller Chain.

©Otis Elevator, January 2008





# ESCALATOR PARTS

## Step Chains

Refer to SPL 54-GAA26150E

### How to Order Step Chain:

You need to order one axle for each step on your unit. If you have an odd number of steps, then you would need an offset link.

### Example:

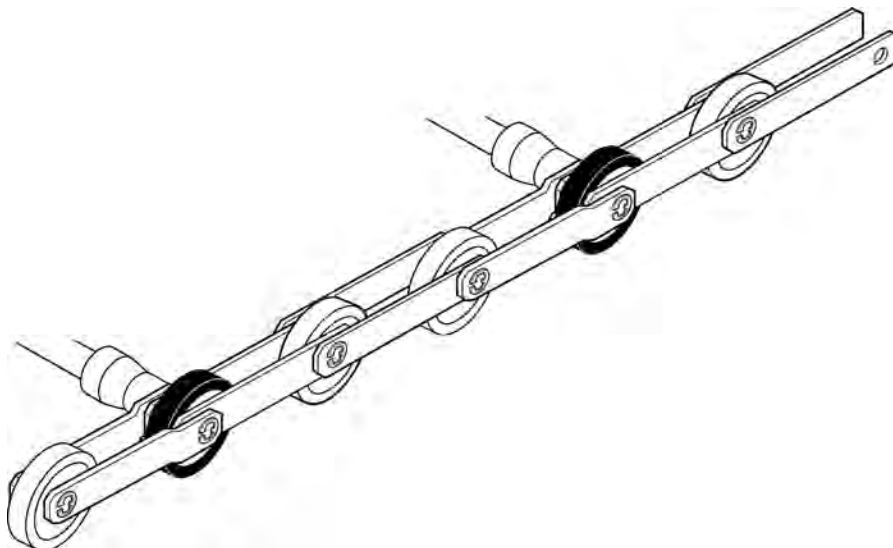
An 85-step unit would need:

(8) 10-Folds	=	80 Axles
(2) 2-Folds	=	4 Axles
(1) Offset	=	1 Axle
		85 Axles

Parts in the Step Chain section are sorted by escalator width, then by escalator type unless otherwise indicated.

## Offset Links

Part No.	Width	Escalator Type	Description
GAB26150E13	32 in. (600 mm)	506, 506 SL	Step Chain, Offset Link
GBA26150AH16	32 in. (600 mm)	506, 506 SL	Step Chain, Offset Link, Weatherproof
GBA26150AR7	32 in. (600 mm)	HD-L	Step Chain, Offset Link, Rubber Roller, Oil Lubrication
GBA26150AQ7	32 in. (600 mm)	J, R, RB, RBC, UB, UBSL	Step Chain, Offset Link
9701DK70	32 in. (600 mm)	J, R, RB, RBC, UB, UBSL	Step Chain, Offset Link, Weatherproof
GBA26150AH8	40 in. (800.00 mm)	506, 506 SL	Step Chain, Offset Link
GBA26150AH17	40 in. (800.00 mm)	506, 506 SL	Step Chain, Offset Link, Weatherproof



North America: (800) 600 - 6847 • Fax (860) 286 - 1605  
Elsewhere: (860) 242-3632 • Fax (860) 286 - 1657

# OTIS



## Offset Links (continued)

Refer to SPLs 54-9704GY and 54-9741EB

Part No.	Width	Escalator Type	Description
GBA26150AR31	44 in. (900.00 mm)	HD-L	Step Chain, Offset Link, Rubber Roller, Oil Lubrication
GBA26150AQ31	44 in. (900.00 mm)	J, UB	Step Chain, Offset Link
GBA26150AQ32	44 in. (900.00 mm)	J, UB	Step Chain, Offset Link, Weatherproof
GBA26150AH18	48 in. (1000 mm)	506, 506 SL	Step Chain, Offset Link, Weatherproof
9704GY136	48 in. (1000 mm)	510	Step Chain, Offset Link, 0.99 in. (25 mm) Pin, Oil Lubrication
GBA26150AC9	48 in. (1000 mm)	510	Step Chain, Offset Link, 0.6 in. (15 mm) Pin, Oil Lubrication. Formerly p/n 9704GY40.
9741EB24	48 in. (1000 mm)	606	Step Chain, Offset Link
GBA26150AD18	48 in. (1000 mm)	510	Step Chain, Offset Link, Outdoor, 0.79 in. (20 mm) pin
GBA26150AR9	48 in. (1000 mm)	HD-L	Step Chain, Offset Link, Rubber Roller, Oil Lubrication
GBA26150AQ9	48 in. (1000 mm)	J, R, RB, RBC, UB, UBSL	Step Chain, Offset Link. Now replaced by 9701DK72.
GBA26150AQ18	48 in. (1000 mm)	J, R, RB, RBC, UB, UBSL	Step Chain, Offset Link, Weatherproof. Replaces 9701DK72 offset link step chain.

© Otis Elevator, January 2008

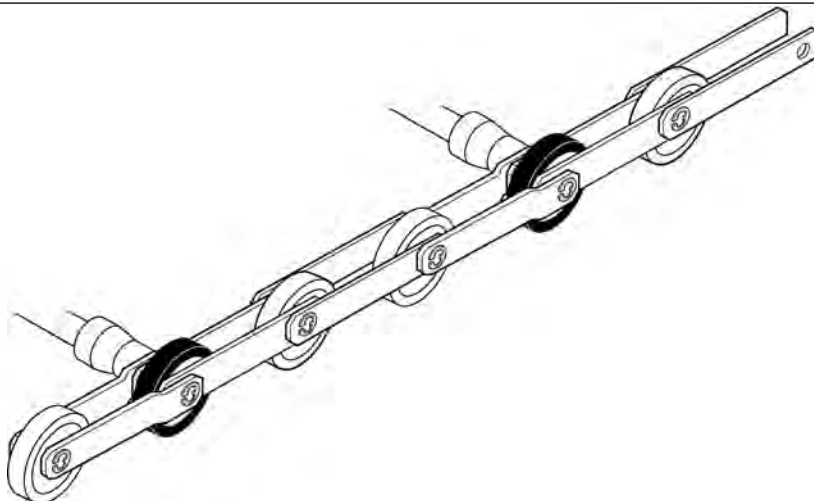


# ESCALATOR PARTS

## Two-Fold (2-Axle Step Chain Sections)

Refer to SPL 54-9704GY

Part No.	Width	Escalator Type	Description
GBA26150AH1	32 in. (600 mm)	506, 506 SL	Step Chain, Two Fold
GBA26150AH10	32 in. (600 mm)	506, 506 SL	Step Chain, Two Fold, Weatherproof
9704GY1	32 in. (600 mm)	510	Step Chain, Two Fold, 0.6 in. (15 mm) Pin, Oil Lubrication
GBA26150AQ1	32 in. (600 mm)	J, R, RB, RBC, UB, UBSL	Step Chain, Two Fold
GBA26150AQ10	32 in. (600 mm)	J, R, RB, RBC, UB, UBSL	Step Chain, Two Fold, Weatherproof
GBA26150AH2	40 in. (800.00 mm)	506, 506 SL	Step Chain, Two Fold
GBA26150AH11	40 in. (800.00 mm)	506, 506 SL	Step Chain, Two Fold, Weatherproof
GBA26150AQ27	44 in. (900.00 mm)	J, UB	Step Chain, Two Fold
GBA26150AQ28	44 in. (900.00 mm)	J, UB	Step Chain, Two Fold, Weatherproof
GBA26150AH3	48 in. (1000 mm)	506, 506 SL	Step Chain, Two Fold
GBA26150AH12	48 in. (1000 mm)	506, 506 SL	Step Chain, Two Fold, Weatherproof
9704GY104	48 in. (1000 mm)	510	Step Chain, Two Fold, 0.99 in. (25 mm) Pin, Oil Lubrication
GBA26150AC3	48 in. (1000 mm)	510	Step Chain, Two Fold, 0.6 in. (15 mm) Pin, Oil Lubrication
GBA26150AD12	48 in. (1000 mm)	510	Step Chain, Two Fold, 0.79 in. (20 mm) Pin
GBA26150AQ3	48 in. (1000 mm)	J, R, RB, RBC, UB, UBSL	Step Chain, Two Fold
GBA26150AQ12	48 in. (1000 mm)	J, R, RB, RBC, UB, UBSL	Step Chain, Two Fold, Weatherproof



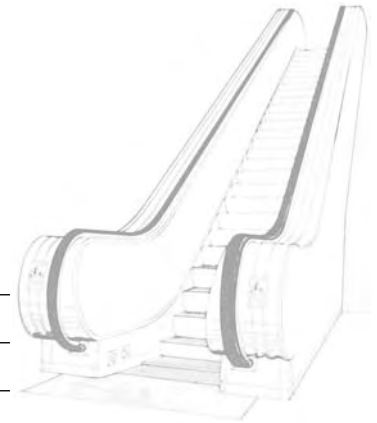
North America: (800) 600 - 6847 • Fax (860) 286 - 1605  
Elsewhere: (860) 242-3632 • Fax (860) 286 - 1657

Step Chains



139

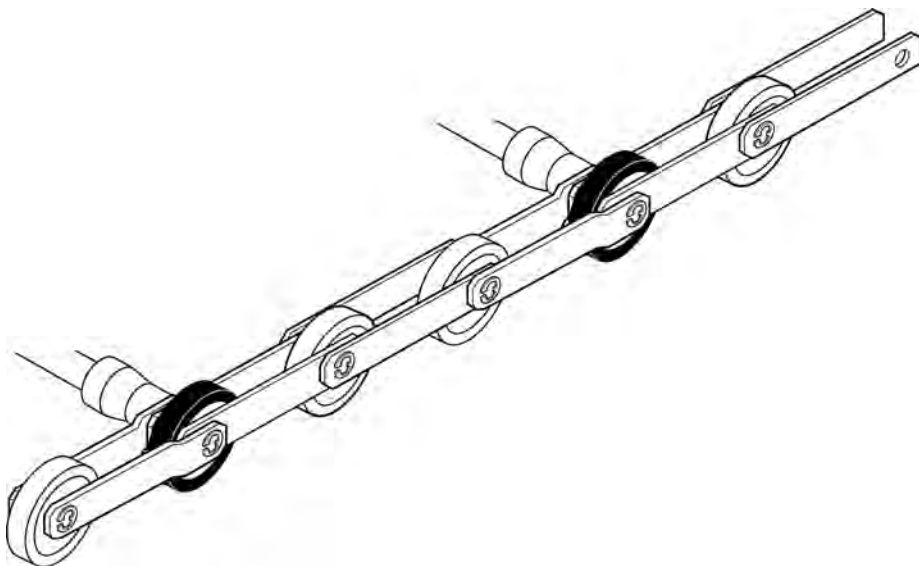
# OTIS



## Ten-Fold (10-Axle Step Chain Sections)

Part No.	Width	Escalator Type	Description
GBA26150AH4	32 in. (600 mm)	506, 506 SL	Step Chain, Ten Fold
GBA26150AH13	32 in. (600 mm)	506, 506 SL	Step Chain, Ten Fold, Weatherproof
GBA26150AQ4	32 in. (600 mm)	J, R, RB, RBC, UB, UBSL	Step Chain, Ten Fold
GBA26150AQ13	32 in. (600 mm)	J, R, RB, RBC, UB, UBSL	Step Chain, Ten Fold, Weatherproof
GBA26150AH5	40 in. (800 mm)	506, 506 SL	Step Chain, Ten Fold
GBA26150AH14	40 in. (800 mm)	506, 506 SL	Step Chain, Ten Fold, Weatherproof
GBA26150AQ29	44 in. (900 mm)	J, UB	Step Chain, Ten Fold
GBA26150AQ30	44 in. (900 mm)	J, UB	Step Chain, Ten Fold, Weatherproof
GBA26150AH6	48 in. (1000 mm)	506, 506 SL	Step Chain, Ten Fold
GBA26150AH15	48 in. (1000 mm)	506, 506 SL	Step Chain, Ten Fold, Weatherproof
GBA26150AC6	48 in. (1000 mm)	510	Step Chain, Ten Fold, 0.6 in. (15 mm) Pin, Oil Lubrication. Replaces 9704GY12.
GBA26150AD15	48 in. (1000 mm)	510	Step Chain, Ten Fold, 0.79 in. (20 mm), Pin
GBA26150AR6	48 in. (1000 mm)	HD-L	Step Chain, Ten Fold, Oil Lubrication
GBA26150AQ15	48 in. (1000 mm)	J, R, RB, RBC, UB, UBSL	Step Chain, Ten Fold, Weatherproof
GBA26150AQ6	48 in. (1000 mm)	J, R, RB, RBC, UB, UBSL	Step Chain, Ten Fold

© Otis Elevator, January 2008



## Step Chains

North America: (800) 600 - 6847 • Fax (860) 286 - 1605  
Elsewhere: (860) 242-3632 • Fax (860) 286 - 1657

# ESCALATOR PARTS

## Step Chain Replacement Parts

See SPLs 54-9701DK7, 54-GO9704AK, 54-9704GY, 54-9741EB, 54-GAA26150B, 54-GAA26150E, 54-GAA26150H, 54-GAA26180M, 54-GAA26350C, C-970F (c.c. 50), C-1090 (c.c. 56), and C-1105 (c.c. 54)  
(Sorted by Description)

Part No.	Escalator Type	Description
502G1	R, RB, RBC, J	Axle, Step Chain
502G2	R, RB, RBC, J	Axle, Step Chain
GX210AL500	510	Bushing
GO210AG1	510, 610, 606	Bushing
GO210R1	510, 610, 606	Bushing
430BC1	606, J, R, RB, RBC, UB	Connecting Link
GO2215B69	510, 610, 606	Fastening Parts, Offset Link of Step Chain
430AZ2	J, R, RB, RBC	Inner Link, Step Chain, 7.125 in. (181 mm) L, 1.5 in. (38 mm) H
9741EB25	606	Inner Link, with Rollers
9741EB26	606	Inner Link, with Rollers
GO9704BG1	510	Inner Link, with Rollers, 0.6 in. (15 mm) Pin, Oil Lubrication
GO9704BF1	510	Inner Link, with Rollers, 0.6 in. (15 mm) Pin, Oil Lubrication
GOA9704BG2	510	Inner Link, with Rollers, 0.8 in. (20 mm) Pin, Oil Lubrication
GO9704BF2	510	Inner Link, with Rollers, 0.8 in. (20 mm) Pin, Oil Lubrication
GOA9704BP1	510, 610	Inner Link, with Rollers, 1 in. (25 mm) Pin
GAA26150AH19	506, 506 NCE, 506 SL	Inner Link, with Two Rollers
9701DK93	J, UB, UBSL	Inner Link, with 2 Rollers. Used for 32, 44, & 48 in. width UB & UBSL escalators.
9703DS25	506, 506 SL	Link, Step Chain, with 2 Nylon Rollers, Normal Duty
172DS1	506, 506 SL, J, R, RB, RBC, UB	Nut
GO430AS3	506, 506 SL	Offset Link, 7 in. (178 mm) L, 1.37 in. (35 mm) H, w/~0.2 in. (5 mm) Offset—2 Different Hole Sizes
GO430AR4	506, 506 SL	Outer Link, 1.1 in. (28 mm) H, Plate with 2 Holes
GO430AH1	606, J, R, RB, RBC, UB	Outer Link, 1.25 in. (32 mm) H, Plate with 2 Holes
GO430DF1	510	Outer Link, 1.1875 in. (30 mm) H, 0.6 in. (15 mm) Pin, Link with 2 Holes, Oil Lubrication



# OTIS

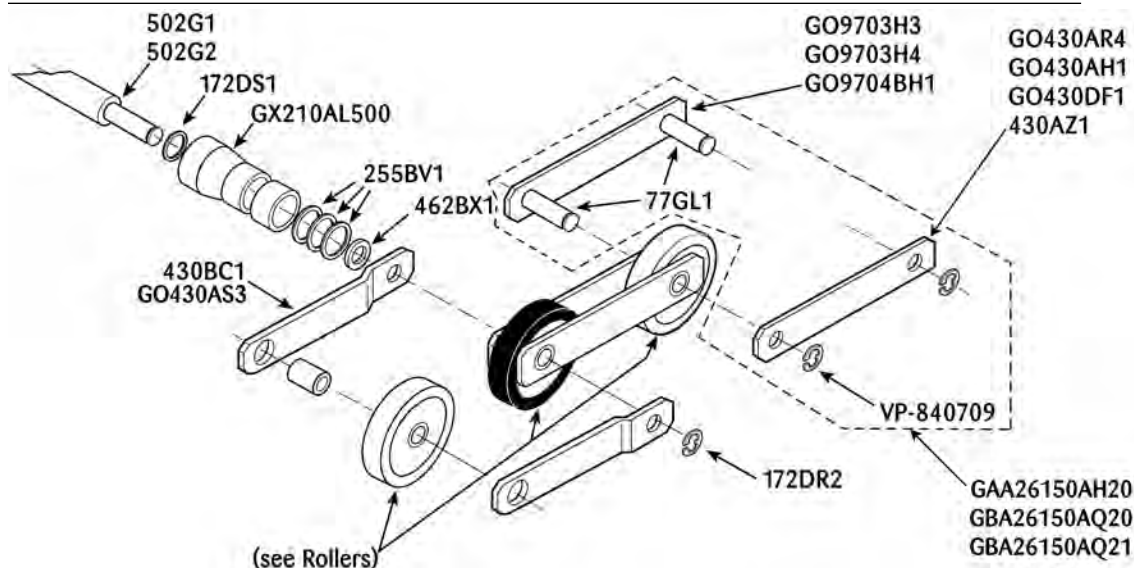
## Step Chain Replacement Parts (continued)

Refer to SPLs 20-6993AL, 54-9701DK7, 54-GO9704AK, 54-9704GY, 54-GAA26350C, C-931 (c.c. 51), C-932A (c.c. 53), C-966 (c.c. 50), C-970F (c.c. 50), C-1013C (c.c. 12), C-1090, C-1091, C-1097, and C-1105 (c.c. 56)

(Sorted by Description)



Part No.	Escalator Type	Description
430AZ1	R, RB, RBC, J	Outer Link, Step Chain, w/2 Holes, 1.25 in. (32 mm) H Plate
GO9703H4	506, 506 SL	Outer Link, with (1) Pin & (1) Retaining Ring, Heavy Duty
GAA26150AH20	506, 506 SL	Outer Link, with 2 Pins & 2 Retaining Rings, Heavy Duty
GO9704BH1	510	Outer Link, with Pins & Retaining Rings, 0.6 in. (15 mm) Pin, Oil Lubrication
77GL1	J, R, RB, RBC, UB	Pin, Step Chain
172DR2	506, 506 SL	Retaining Ring
VP-840709	506, 506 SL, J, R, RB, RBC, UB	Retaining Ring, 10 mm
255BV1	506, 506 SL, J, R, RB, RBC, UB	Shims
210G1	ML	Sleeve Bearing, Brass
210G2	O	Sleeve Bearing, Brass
210F2	ML	Sleeve Bearing, Bronze, 2 Halves
210AL1	J, R, RB, RBC	Sleeve, Steel, Babbitted. Used for 6283E & F offset step chains.
462BX1	506, 506 SL, J, R, RB, RBC, UB	Spacer



# ESCALATOR PARTS

## Steps

Refer to SPLs **C-970F (in component code 50)** and **C-1090 (in component code 56)**

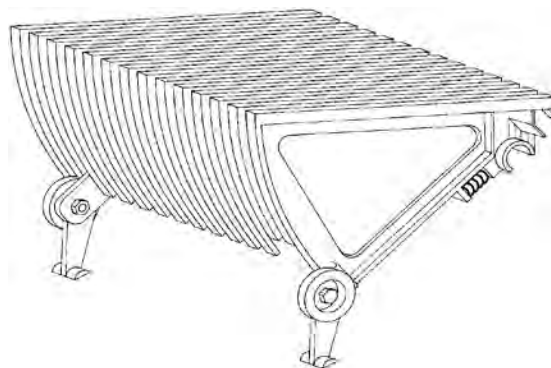
Please keep the following in mind when measuring for steps: Measure the width of the tread and add eight inches.

**NOTE 1:** 26BR1 denotes black finish  
26BR2 denotes gray finish  
"removable" means tread is fastened from top  
"non-removable" means tread is fastened from bottom  
all treads are die-cast aluminum

**NOTE 2:** As a generalization, most step applications that had removable treads originally have been replaced by non-removable tread steps. Individual removable treads are still available.

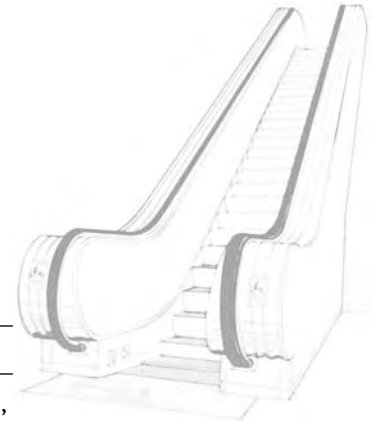
Steps are sorted by width, then by escalator type unless otherwise specified.

Part No.	Width	Escalator Type	Description
6291P1	32 in. (600 mm)	R, RB	Step, with Non-Removable Tread, Smooth Black Riser
A6291G11	32 in. (600 mm)	RB, RBC	Step, with Non-Removable Tread, Cleated Riser, Gray Step
A6291G13	32 in. (600 mm)	RBC, RB	Step, with Non-Removable Tread, Cleated Black Epoxy Riser
6291G5	48 in. (1000 mm)	R, RB	Step, with Non-Removable Tread, Cleated Riser, Gray Step, Gray Riser
A6291E1	48 in. (1000 mm)	R, RB	Step, with Non-Removable Tread, Smooth Black Riser
A6291G9	48 in. (1000 mm)	RB, RBC	Step, with Non-Removable Tread, Cleated Riser, Gray Step, Silver Riser
A6291G14	48 in. (1000 mm)	RBC, RB	Step, with Non-Removable Tread, Cleated Black Epoxy Riser



Step

# OTIS

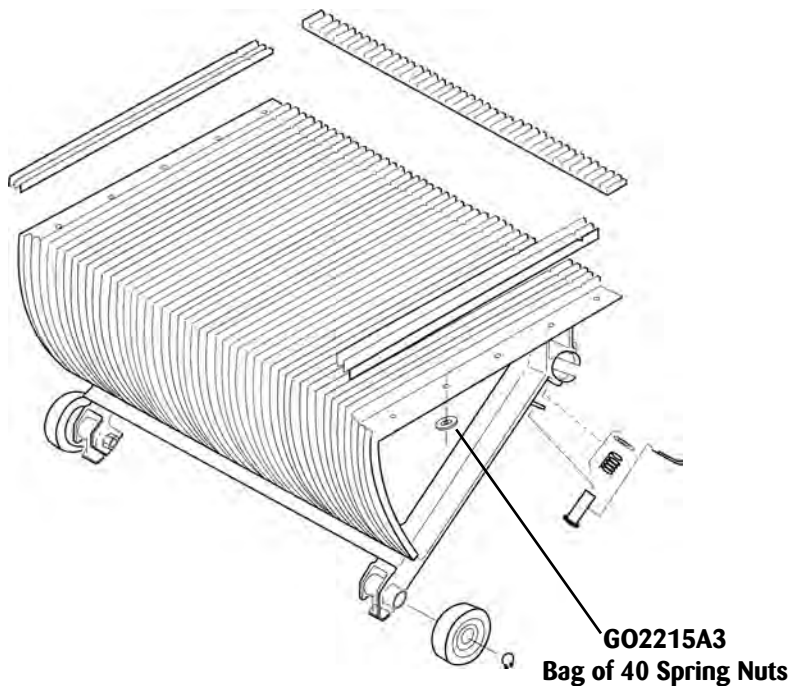


## Unisteps

Refer to SPLs 53-BAA26140A, 53-GAA26140AAA, and 53-GAA26140F

Part No.	Width	Escalator Type	Description
GAA26140F13	32 in. (600 mm)	506 SL	Unistep, with Cleated Riser, Black Finish, with Front & Side Inserts
GAA26140A16	32 in. (600 mm)	506 SL	Unistep, with Cleated Riser, Black Finish, with Side Inserts
GAA26140F7	32 in. (600 mm)	506, 506 SL, HD, J, UB	Unistep, with Cleated Riser, Black Finish
GAA26140F1	32 in. (600 mm)	506, 510, HD, J, UB	Unistep, with Cleated Riser, Silver Finish
BAA26140A1	32 in. (600 mm)	UBSL	Unistep, with Cleated Riser, Black Finish
GAA26140A14	40 in. (800 mm)	506 SL	Unistep, with Cleated Riser, Black Finish, with Front & Side Inserts
GAA26140A17	40 in. (800 mm)	506 SL	Unistep, with Cleated Riser, Black Finish, with Side Inserts
GAA26140F8	40 in. (800 mm)	506, 506 SL, 510, HD, UB	Unistep, with Cleated Riser, Black Finish
GAA26140A2	40 in. (800 mm)	506, 510, HD, UB	Unistep, with Cleated Riser, Silver Finish

© Otis Elevator, January 2008



144

Steps

North America: (800) 600 - 6847 • Fax (860) 286 - 1605  
Elsewhere: (860) 242-3632 • Fax (860) 286 - 1657



# ESCALATOR PARTS

## Unisteps (continued)

Refer to SPLs 53-GO6291P, 53-BAA26140A, 53-AAA26140AAA, 53-GAA26140F

Part No.	Width	Escalator Type	Description
GO6291P2	44 in. (900 mm)	506, 510, HD, J, UB	Unistep, with Cleated Riser, Black Finish
GO6291P10	44 in. (900 mm)	506, 510, HD, J, UB	Unistep, with Cleated Riser, Silver Finish
GAA26140F18	48 in. (1000 mm)	506 SL	Unistep, with Cleated Riser, Black Finish, with Side Inserts
GAA26140F15	48 in. (1000 mm)	506 SL, 510	Unistep, with Cleated Riser, Black Finish, with Front & Side Inserts
GAA26140F9	48 in. (1000 mm)	506, 506 SL, 510, HD, J, UB	Unistep, with Cleated Riser, Black Finish. Formerly p/n GO6291P1.
GAA26140A6	48 in. (1000 mm)	506, 506 SL, 510, HD, J, UB	Unistep, with Cleated Riser, Silver Finish
GAA26140A12	48 in. (1000 mm)	506 SL, 510	Unistep, with Cleated Riser, Silver Finish, with Front & Side Inserts
GAA26140F3	48 in. (1000 mm)	506, 510, HD, J, UB	Unistep, with Cleated Riser, Silver Finish
BAA26140A3	48 in. (1000 mm)	UBSL	Unistep, with Cleated Riser, Black Finish



# OTIS

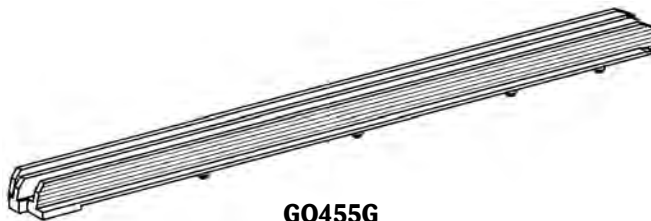


## Demarcation Inserts

Refer to SPLs 53-BAA26140A, 53-GAA26140F, and 53-GAA26340E

Part No.	Escalator Type	Description
GO455G3	506, 510, HD-L, HD-A-B-C, UB, UBSL	Demarcation Insert, Back, Yellow
GO455G11	506, 510, HD-L, HD-A-B-C, UB, UBSL	Demarcation Insert, RH, Yellow. For steps having all 3 inserts.
GO455G12	506, 510, HD-L, HD-A-B-C, UB, UBSL	Demarcation Insert, LH, Yellow. For steps having all 3 inserts.
GO455G16	506, 510, HD-L, HD-A-B-C, UB, UBSL	Demarcation Insert, RH, Yellow. For steps having sideinserts only.
GO455G17	506, 510, HD-L, HD-A-B-C, UB, UBSL	Demarcation Insert, LH, Yellow. For steps having sideinserts only.
GO455H1	606, HDL-T, UT	Demarcation Insert
GO2215A3	506, 506 SL, 510, 606, HDL-T, HD-L, HD-A-B-C, UB, UT	Spring Nut, Used for Fastening Demarcation Inserts to Steps
GO455G5	UBSL	Demarcation Insert, Back, Yellow
GO455G4	UBSL	Demarcation Insert, Back, Yellow

© Otis Elevator, January 2008



**GO455G**



**GO2215A3**  
Bag of 40 Spring Nuts



146

**Steps**

**North America: (800) 600 - 6847 • Fax (860) 286 - 1605**  
**Elsewhere: (860) 242-3632 • Fax (860) 286 - 1657**

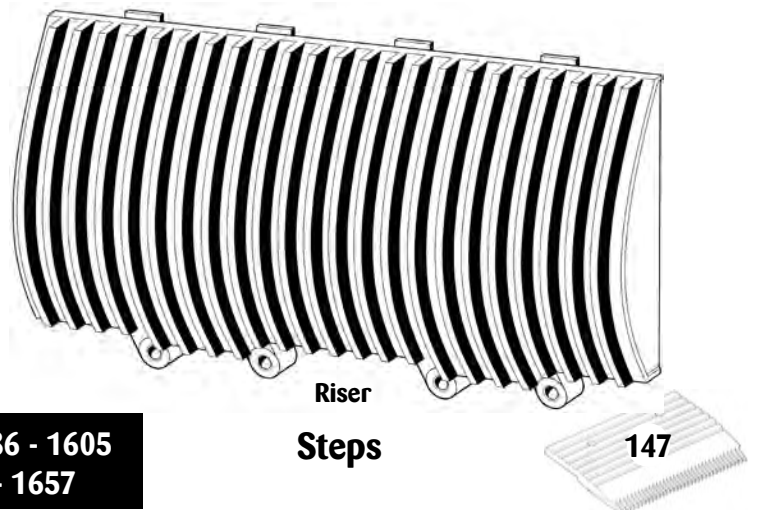
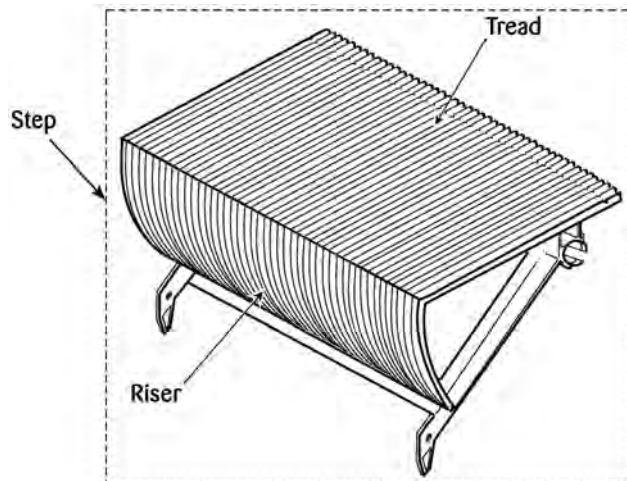
# ESCALATOR PARTS

## Risers

Refer to SPLs C-966 (c.c. 50), C-970F (c.c. 50), and C-1090 (c.c. 56)

Sorted by Length

Part No.	Length	Escalator Type	Description
454R3-26BR1	8 in. (203,2 mm)	R	Riser, Right-Hand, Black, Early Vintage <b>NOTE:</b> This part by special order only. Contact your representative.
454R3-26BR2	8 in. (203,2 mm)	R	Riser, Right-Hand, Gray, Early Vintage <b>NOTE:</b> This part by special order only. Contact your representative.
454R1-26BR2	8 in. (203,2 mm)	R, RB, RBC	Riser, Center Cleated Die Cast Aluminum with Gray Lacquer Finish
454T2-BLEP	8 in. (203,2 mm)	R, RB, RBC	Riser, Right-Hand, Cleated Aluminum with Black Finish
454T2-26BR2	8 in. (203,2 mm)	R, RB, RBC	Riser, Right-Hand, Cleated Aluminum with Gray Lacquer Finish
454T2-26JM1	8 in. (203,2 mm)	R, RB, RBC	Riser, Right-Hand, Cleated Aluminum with Silver Finish
454R1-26BR1	16 in. (406,4 mm)	R, RB, 48 RBC	Riser, Center, Cleated Die Cast Aluminum with Black Finish
454R2-26BR1	16 in. (406,4 mm)	R, RB, RBC	Riser, Left-Hand, Cleated Die Cast Aluminum with Black Finish
454R2-26BR2	16 in. (406,4 mm)	R, RB, RBC	Riser, Left-Hand Cleated Die Cast Aluminum with Gray Lacquer Finish
454R1-26JM1	16 in. (406,4 mm)	R, RB, 48 RBC	Riser, Center Cleated Die Cast Aluminum with Silver Finish
454R2-26JM1	16 in. (406,4 mm)	R, RB, RBC	Riser, Left-Hand Cleated Die Cast Aluminum with Silver Finish
454H1	23.75 in. (603,25 mm)	32 RBC	Riser, Iron
A454G1	41.09 in. (1043,69 mm)	ML, O	Riser, Steel



North America: (800) 600 - 6847 • Fax (860) 286 - 1605  
Elsewhere: (860) 242-3632 • Fax (860) 286 - 1657

# OTIS

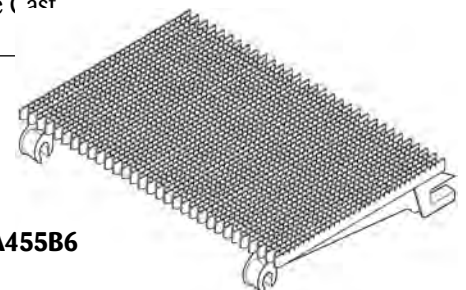
## Treads and Pallets

Refer to SPLs C-932A (c.c. 53) and C-966 (c.c. 50)

Part No.	Width	Length	Escalator Type	Description
GOA455B6	48 in. (1000 mm)	---	606	Pallet, with Silver Finish
A455A1	8.56 in. (217 mm)	16 in. (406 mm)	ML	Tread, Die Cast Zinc, Cleats Flush with Edge of Tread. Used for A6291A1-12 steps.
B455A1	8.56 in. (217 mm)	16 in. (406 mm)	ML	Tread, Die Cast Zinc, Cleats Flush with Edge of Tread. Used for B6291A2-12 steps.
A455B1	12 in. (305 mm)	16 in. (406 mm)	ML	Tread, Die Cast Zinc, Cleats Flush with Edge of Tread. Used for A6291A5-12 steps.
455T1	8.56 in. (217 mm)	15.88 in. (403 mm)	O	Tread, Removable, Die Cast Aluminum
455J2	8.56 in. (217 mm)	16 in. (406 mm)	O	Tread, Non-Removable, Die Cast Aluminum with Black Finish, with Tapped Holes
455J1-26BR1	8.56 in. (217 mm)	16 in. (406 mm)	O	Tread, Removable, Die Cast Aluminum with Black Finish
455J1-26BR2	8.56 in. (217 mm)	16 in. (406 mm)	O	Tread, Removable, Die Cast Aluminum with Gray Finish
455T2	11.98 in. (304 mm)	15.88 in. (403 mm)	O	Tread, Non-Removable, Die Cast Aluminum
455W1	11.98 in. (304 mm)	15.88 in. (403 mm)	O	Tread, Removable, Die Cast Aluminum
455P2	12 in. (305 mm)	16 in. (406 mm)	O	Tread, Non-Removable, Die Cast Aluminum, Cleats Flush with Edge of Tread
455P1	12 in. (305 mm)	16 in. (406 mm)	O	Tread, Removable, Die Cast Aluminum, Cleats Flush with Edge of Tread
455W2	15.97 in. (406 mm)	15.88 in. (403 mm)	O	Tread, Non-Removable, Die Cast Aluminum



© Otis Elevator, January 2008



GOA455B6



148

Steps

North America: (800) 600 - 6847 • Fax (860) 286 - 1605  
Elsewhere: (860) 242-3632 • Fax (860) 286 - 1657

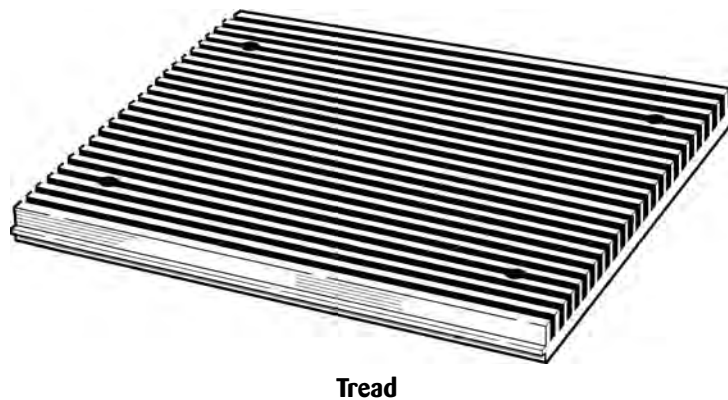
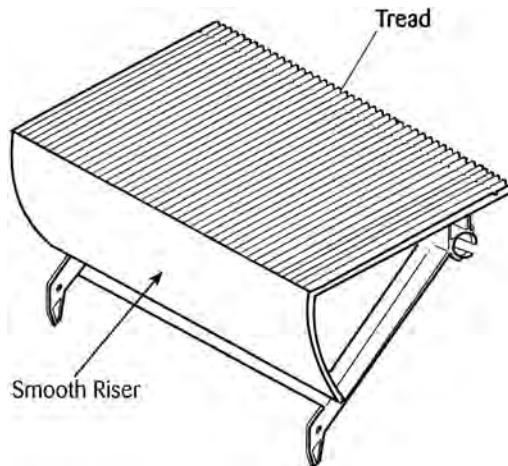
# ESCALATOR PARTS

## Treads and Pallets (continued)

Refer to SPL C-970F (in component code 50)

Part No.	Width	Length	Escalator Type	Description
455R1-26BR1	11.88 in. (301,8 mm)	15.88 in. (403 mm)	R	Tread, Removable, Die Cast Aluminum with Black Finish, Cleats Flush with Edge of Tread
455R2-26BR1	11.88 in. (302 mm)	15.88 in. (403 mm)	R, RB, RBC	Tread, Non-Removable, Die Cast Aluminum with Black Finish, Cleats Flush with Edge of Tread
455R2-26BR2	11.88 in. (302 mm)	15.88 in. (403 mm)	R, RB, RBC	Tread, Non-Removable, Die Cast Aluminum with Gray Lacquer Finish, Cleats Flush with Edge of Tread
455Z1-26BR1	15.97 in. (406 mm)	15.88 in. (403 mm)	R, RBC	Tread, Non-Removable, Die Cast Aluminum with Black Finish, Cleats Flush with Edge of Tread

**NOTE:** These treads are only for use on early step assemblies having smooth risers.



North America: (800) 600 - 6847 • Fax (860) 286 - 1605  
Elsewhere: (860) 242-3632 • Fax (860) 286 - 1657

Steps



149

# OTIS

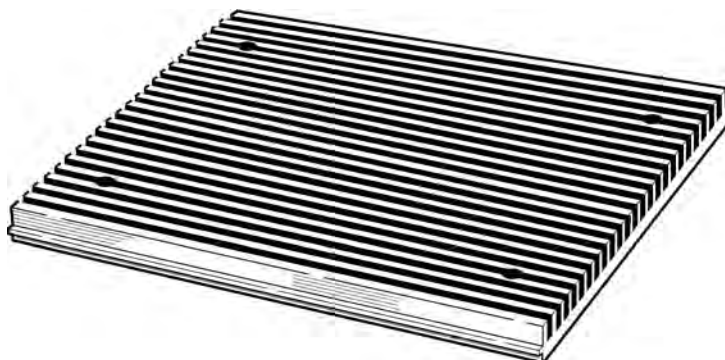


## Treads (continued)

Part No.	Width	Length	Escalator		Description
			Type	Hand	
455AD2-26BR1	11.97 in. (304 mm)	16.16 in. (411 mm)	RB	Right	Tread, Removable, Die Cast Aluminum with Black Finish. Used for cleated risers. See Note 2.
455AD2-26BR2	11.97 in. (304 mm)	16.16 in. (411 mm)	RB	Right	Tread, Removable, Die Cast Aluminum with Gray Lacquer Finish. Used for cleated risers. See Note 2.
455BA2-26BR1	11.97 in. (304 mm)	16.16 in. (411 mm)	RB	Right	Tread, Non-Removable, Die Cast Aluminum with Black Finish. Used for cleated risers. See Note 2.
455BA2-26BR2	11.97 in. (304 mm)	16.16 in. (411 mm)	RB	Right	Tread, Non-Removable, Die Cast Aluminum with Gray Lacquer Finish. Used for cleated risers. See Note 2.
455BA3-26BR1	11.97 in. (304 mm)	16.16 in. (411 mm)	RB	Left	Tread, Removable, Die Cast Aluminum with Black Finish. Used for Cleated Risers
455BA3-26BR2	11.97 in. (304 mm)	16.16 in. (411 mm)	RB	Left	Tread, Removable, Die Cast Aluminum with Gray Lacquer Finish. Used for cleated risers.
455BA4-26BR1	11.97 in. (304 mm)	16.16 in. (411 mm)	RB	Right	Tread, Removable, Die Cast Aluminum with Black Finish. Used for cleated risers. See Note 2.
455BA4-26BR2	11.97 in. (304 mm)	16.16 in. (411 mm)	RB	Right	Tread, Removable, Die Cast Aluminum with Gray Lacquer Finish, Machined. Used for Cleated Risers. See Note 2.

**NOTE 1:** "Removable" means the step treads have retaining screw heads exposed on the outside between the treads (that is, the treads can be removed without removing the steps).

**NOTE 2:** There are two very similar but non-interchangeable versions of the right-hand step treads. Please provide the original Otis sales number to ensure the proper replacement tread.



**Steps**

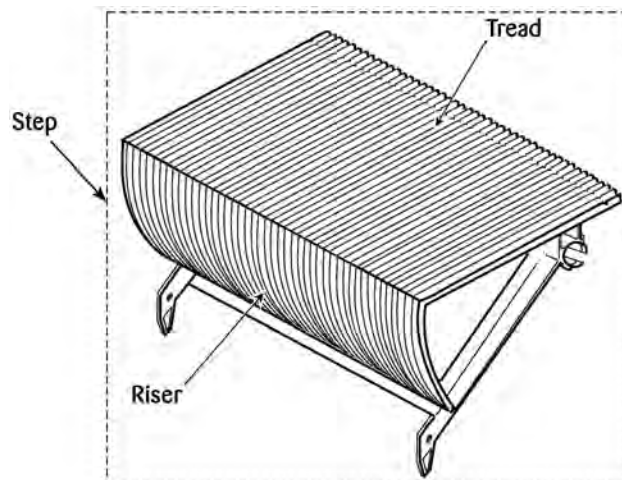
**North America: (800) 600 - 6847 • Fax (860) 286 - 1605**  
**Elsewhere: (860) 242-3632 • Fax (860) 286 - 1657**

# ESCALATOR PARTS

## Treads (continued)

Part No.	Width	Length	Escalator Type	Hand	Description
455AD1-26BR1	11.97 in. (304 mm)	16.16 in. (411 mm)	RB, RBC	Right	Tread, Non-Removable, Die Cast Aluminum with Black Finish. Used for cleated risers. See Note.
455AD1-26BR2	11.97 in. (304 mm)	16.16 in. (411 mm)	RB, RBC	Right	Tread, Non-Removable, Die Cast Aluminum with Gray Lacquer Finish. Used for cleated risers. See Note.
455BA1-26BR1	11.97 in. (304 mm)	16.16 in. (411 mm)	RB, RBC	Left	Tread, Non-Removable, Die Cast Aluminum with Black Finish. Used for cleated risers.
455BA1-26BR2	11.97 in. (304 mm)	16.16 in. (411 mm)	RB, RBC	Left	Tread, Non-Removable, Die Cast Aluminum with Gray Lacquer Finish. Used for cleated risers.
455CA1-26BR1	15.97 in. (406 mm)	16.16 in. (411 mm)	RB, RBC	Center	Tread, Non-Removable, Die Cast Aluminum with Black Finish. Used for cleated risers.
455CA1-26BR2	15.97 in. (406 mm)	16.16 in. (411 mm)	RB, RBC	Center	Tread, Non-Removable, Die Cast Aluminum with Gray Lacquer Finish. Used for cleated risers.
386ALW2	11.64 in. (296 mm)	39.63 in. (1007 mm)	RBC		Tread Support Plate, Steel, without Holes

**NOTE:** There are two very similar but non-interchangeable versions of the right-hand step treads. Please provide the original Otis sales number to ensure the proper replacement tread.

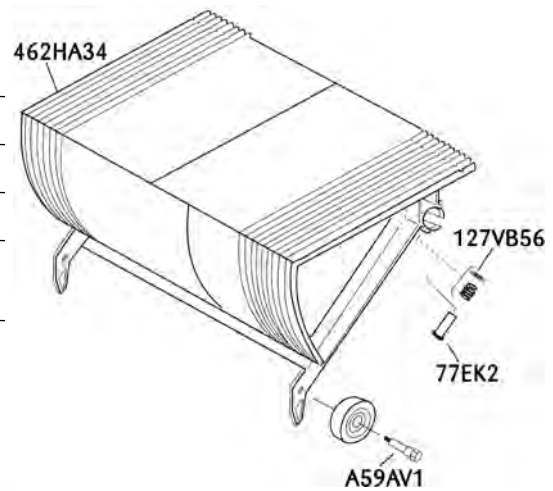


# OTIS

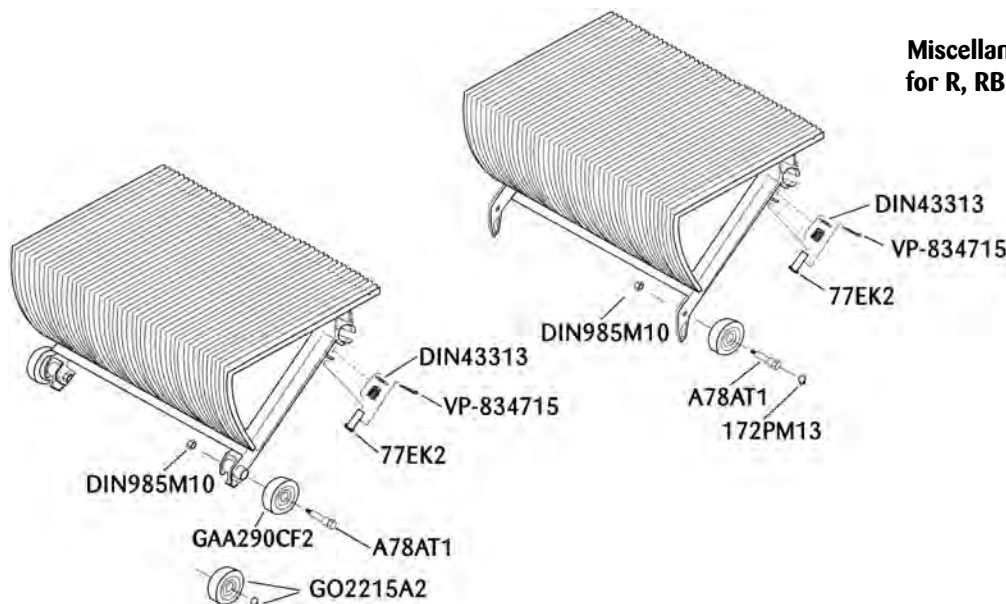
## Miscellaneous (step related)

Refer to SPLs 53-BAA26140A, 53-AAA26140AAA, 53-GAA26140F, C-932A (c.c. 53), C-970F (c.c. 50), C-1053 (c.c. 40), and C-1090 (c.c. 56)

Part No.	Escalator Type	Description
A59AV1	R, RB, RBC	Bolt
DIN985M10	506, 510, J, UB	Nut
77EK2	506, 510, J, R, RB, RBC, UB	Pin
A78AT1	506, 510, J, UB	Pin
VP-834715	506, 510, J, UB	Pin, Cotter
172PM13	506, 510, J, UB	Retaining Ring
B124FA1	ML, R, RB	Screw. For removable treads (special countersunk).
462HA34	R, RB, RBC	Spacer
DIN433 13	506, 510, J, UB	Washer
127VB56	R, RB, RBC	Washer
GAA290CF2	506, 506 SL, 510, J, UB	Wheel. Replaces GO2215A1.



**Miscellaneous Step Parts  
for R, RB, RBC Escalators**



**Miscellaneous Step Parts for J Escalators**

## Steps

North America: (800) 600 - 6847 • Fax (860) 286 - 1605  
Elsewhere: (860) 242-3632 • Fax (860) 286 - 1657



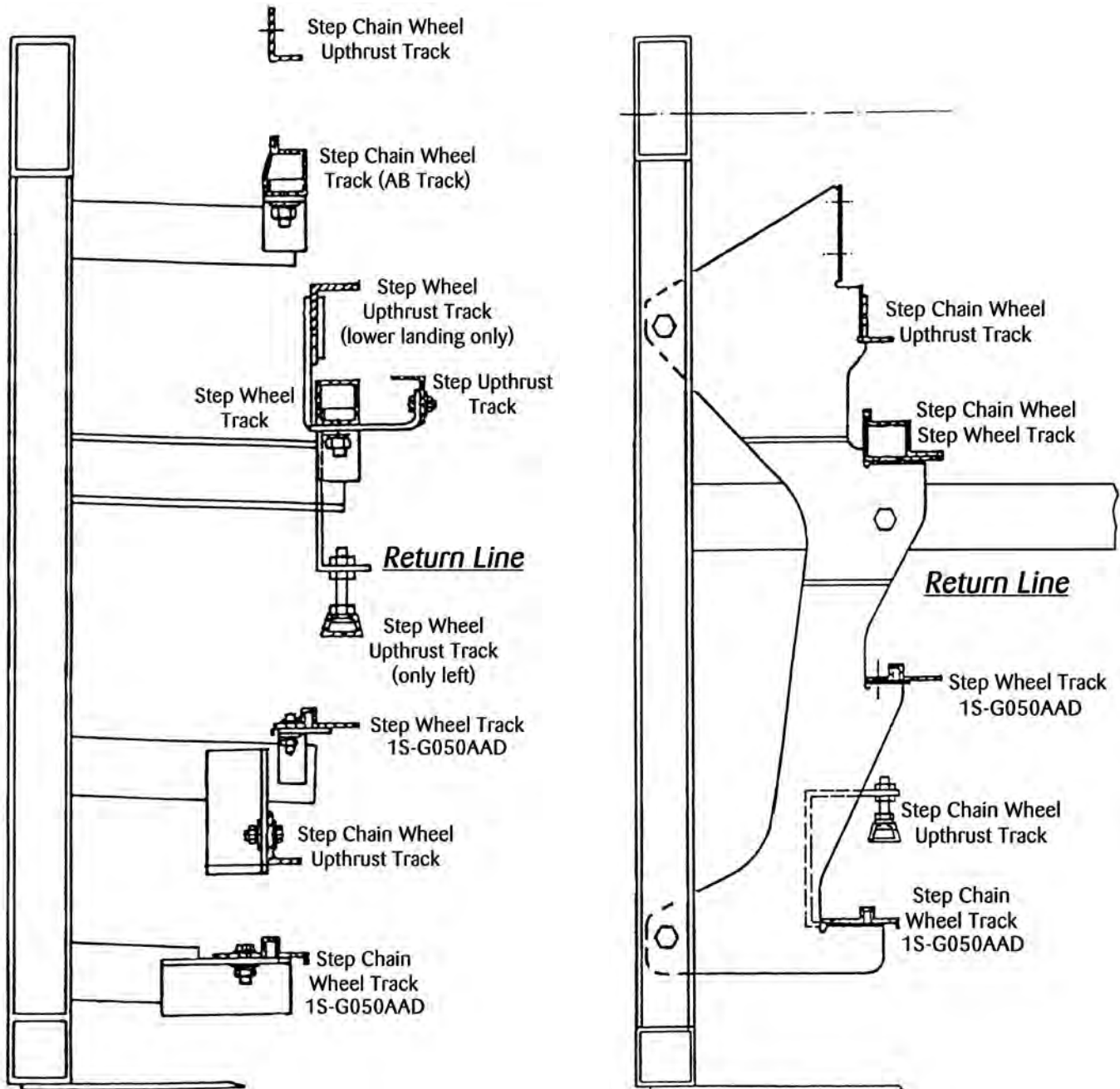


# ESCALATOR PARTS

## Track

**NOTE:** Part numbers for track not included in this catalog. Please call Customer Service to order track and refer to the reference numbers shown in this illustration.

© Otis Elevator, January 2008



Track Sections for 506 Escalators (Landings)

Track Sections for 506 Escalators (Incline)

North America: (800) 600 - 6847 • Fax (860) 286 - 1605  
Elsewhere: (860) 242-3632 • Fax (860) 286 - 1657

Track



# OTIS

## Track (continued)

NOTE: Part numbers for track not included in this catalog. Please call Customer Service to order track and refer to the reference numbers shown in this illustration.

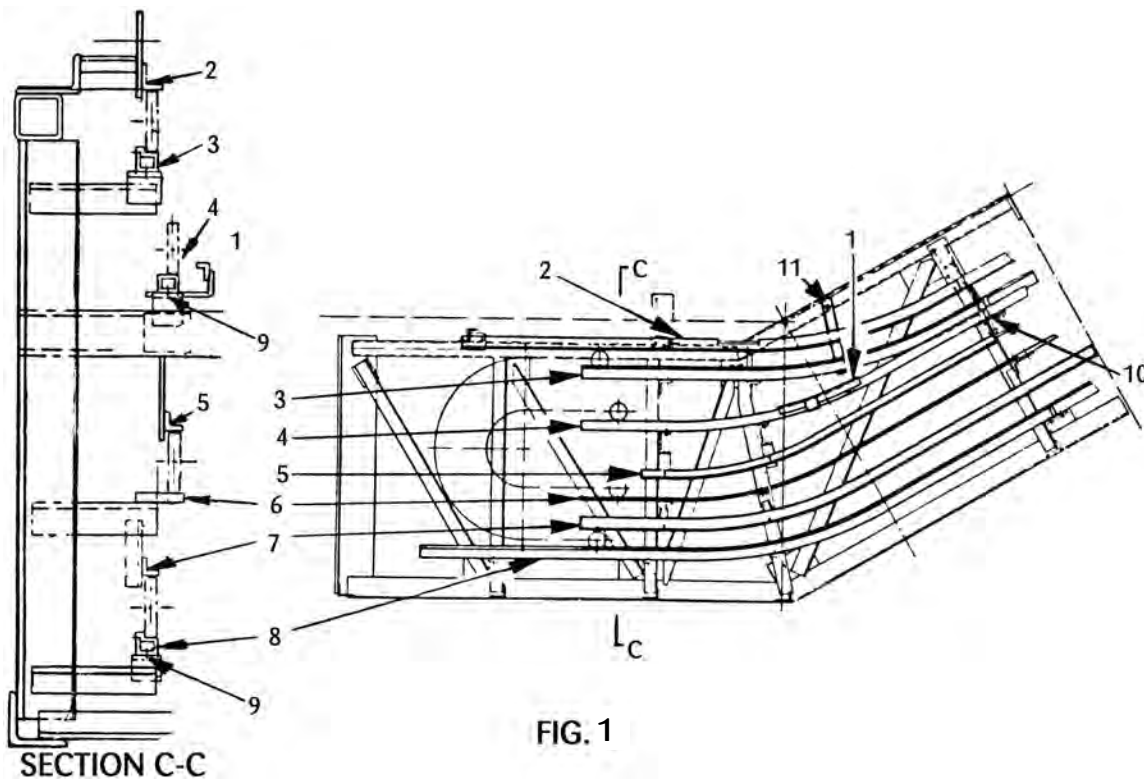


FIG. 1

Track Sections for J Escalators and J Escal-Aires®



154

Track

North America: (800) 600 - 6847 • Fax (860) 286 - 1605  
Elsewhere: (860) 242-3632 • Fax (860) 286 - 1657

# ESCALATOR PARTS

© Otis Elevator, January 2008

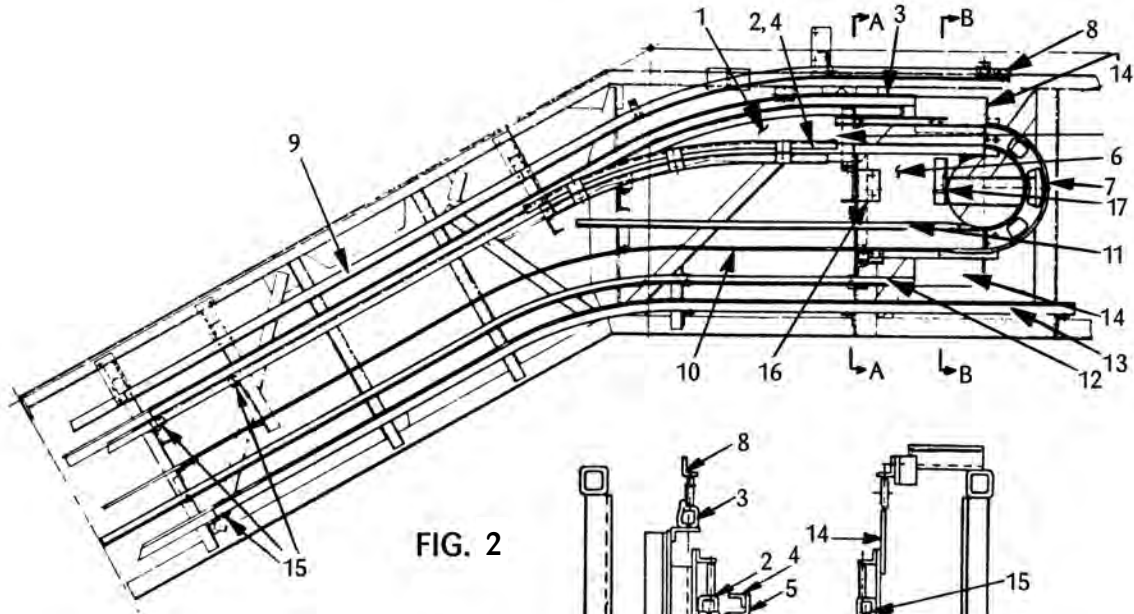
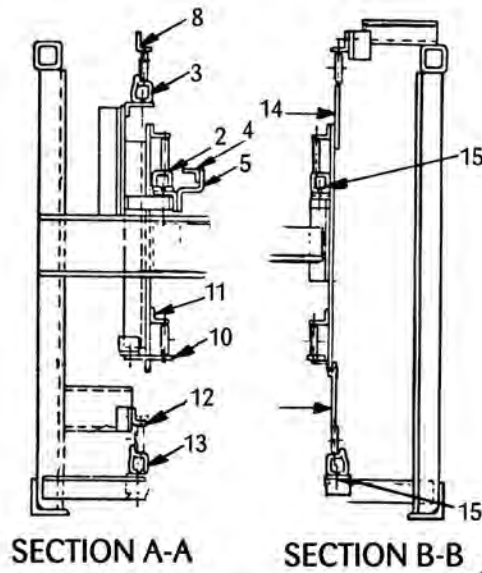
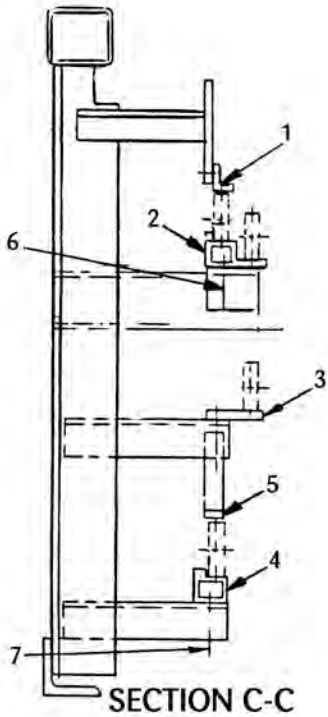


FIG. 2



SECTION A-A

SECTION B-B



SECTION C-C

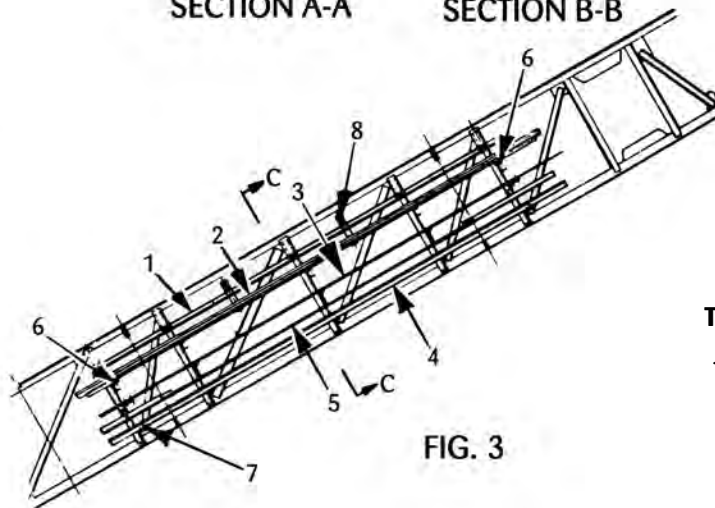


FIG. 3

Track Sections for  
J Escalators and  
J Escal-Aires®

North America: (800) 600 - 6847 • Fax (860) 286 - 1605  
Elsewhere: (860) 242-3632 • Fax (860) 286 - 1657

Track

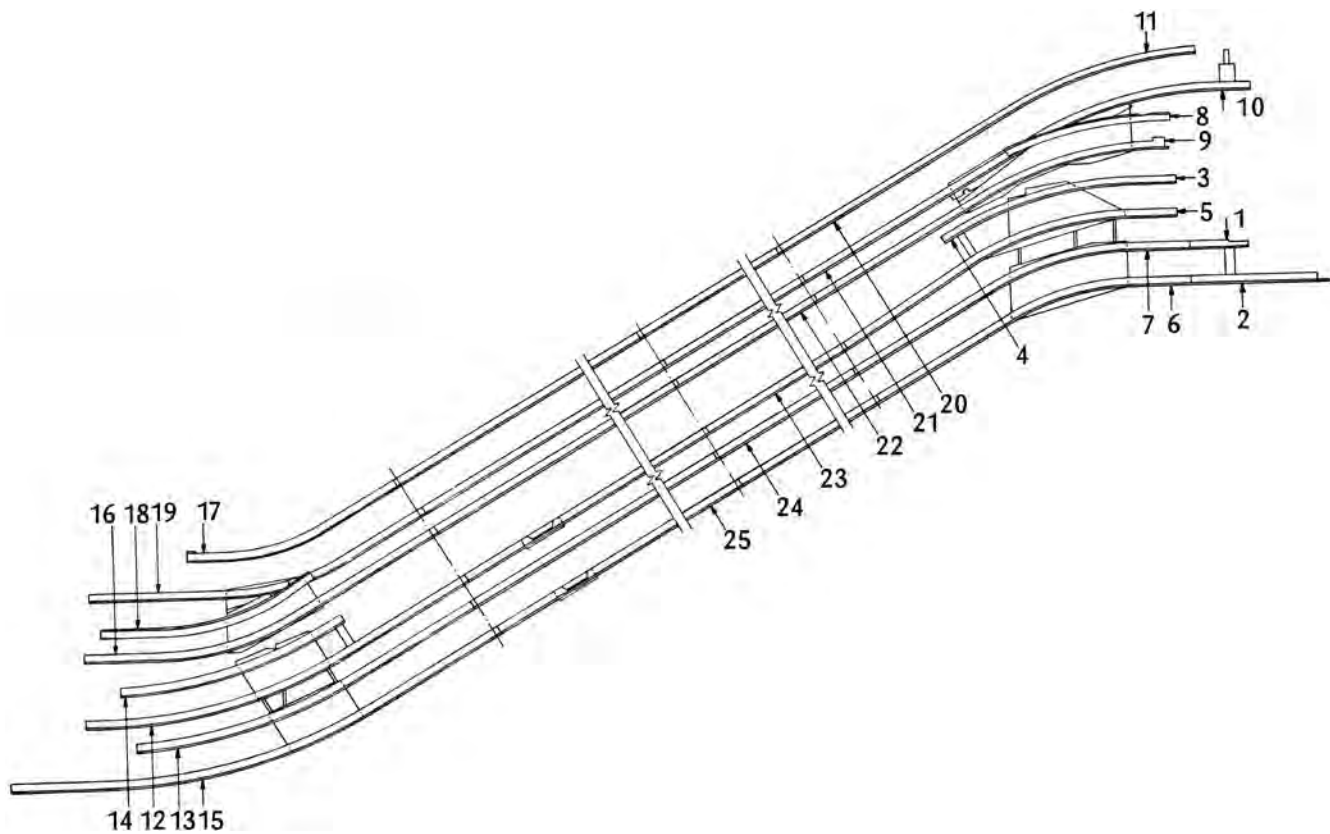


155

# OTIS

## Track (continued)

NOTE: Part numbers for track not included in this catalog. Please call Customer Service to order track and refer to the reference numbers shown in this illustration.



© Otis Elevator, January 2008

Track Sections for O Escalators

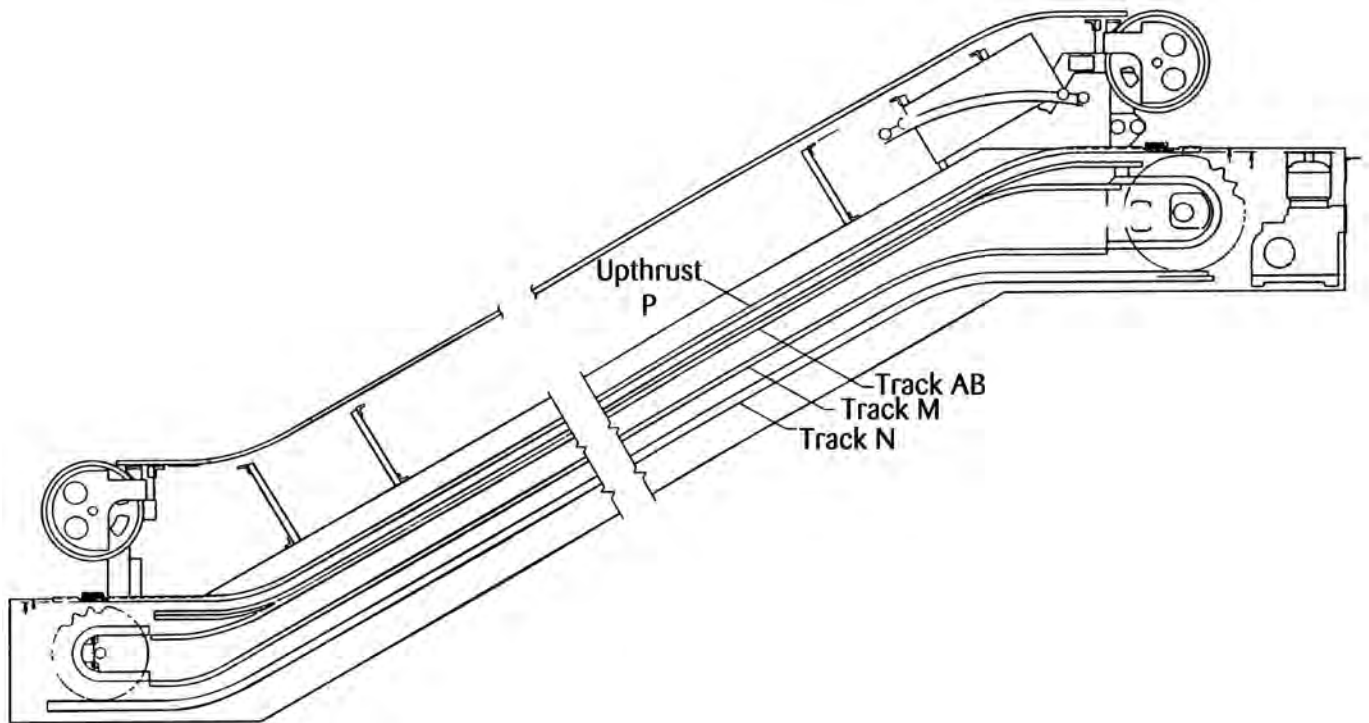


Track

North America: (800) 600 - 6847 • Fax (860) 286 - 1605  
Elsewhere: (860) 242-3632 • Fax (860) 286 - 1657

# ESCALATOR PARTS

© Otis Elevator, January 2008



Track Sections for RBC Escalators

North America: (800) 600 - 6847 • Fax (860) 286 - 1605  
Elsewhere: (860) 242-3632 • Fax (860) 286 - 1657

Track



157

# OTIS

## Haughton Escalators

### Aluminum Combs

#### HC 32

Finish	Aluminum	Yellow
Part Numbers	SCHD83086	SCHD83086Y
	SCHD63018	SCHD63018Y
	SCHD83085	SCHD83085Y

#### HC 48

Finish	Aluminum	Yellow
Part Numbers	SCHD83084	SCHD83084Y
	SCHD63018	SCHD63018Y
	SCHD80815	SCHD80815Y



© Otis Elevator, January 2008



North America: (800) 600 - 6847 • Fax (860) 286 - 1605  
Elsewhere: (860) 242-3632 • Fax (860) 286 - 1657

# ESCALATOR PARTS

## Kone Escalators

### Aluminum Combs

#### E5000 32

Finish	Aluminum	Yellow	Yellow Striped
Part Numbers	MTGM69970-001	MTGM69970-005	MTGM69970-002
	MTGM32484	MTGM32484-005	MTGM32484-002
	MTGM69973-001	MTGM69973-005	MTGM69973-002

#### E5000 40

Finish	Aluminum	Yellow	Yellow Striped
Part Numbers	MTGM69972-001	MTGM69972-005	MTGM69972-002
	MTGM32484	MTGM32484-005	MTGM32484-002
	MTGM69973-001	MTGM69973-005	MTGM69973-002

#### E5000 48

Finish	Aluminum	Yellow	Yellow Striped
Part Numbers	MTGM69972-001	MTGM69972-005	MTGM69972-002
	MTGM32484	MTGM32484-005	MTGM32484-002
	MTGM69971-001	MTGM69971-005	MTGM69971-002

### Plastic Combs

#### E5000 32, 40, 48

Finish	Yellow	Black	Silver	Gray
Part Numbers	MTGM69183-002	MTGM69183-001	MTGM69183-004	MTGM69183-005
	MTGM69181-002	MTGM69181-001	MTGM69181-004	MTGM69181-005
	MTGM69182-002	MTGM69182-001	MTGM69182-004	MTGM69182-005

North America: (800) 600 - 6847 • Fax (860) 286 - 1605  
Elsewhere: (860) 242-3632 • Fax (860) 286 - 1657



# OTIS

## Montgomery Escalators

### Combs

#### Crystal 2000, E Series (3E, 4E, 5E), HR / TR 32

Finish	Aluminum	Yellow (Aluminum)	Yellow (Plastic)
Part Numbers	MTGM46671	MTGM46671-Y	MTGM46671-P
	MTGM32484	MTGM32484-005	MTGM32484-P
	MTGM46670	MTGM46670-Y	MTGM46670-P

#### Crystal 2000, E Series (3E, 4E, 5E), HR / TR 40

Finish	Aluminum	Yellow (Aluminum)	Yellow (Plastic)
Part Numbers	MTGM46634	MTGM46634-Y	MTGM46634-P
	MTGM32484	MTGM32484-005	MTGM32484-P
	MTGM46670	MTGM46670-Y	MTGM46670-P

#### Crystal 2000, E Series (3E, 4E, 5E), HR / TR 48

Finish	Aluminum	Yellow (Aluminum)	Yellow (Plastic)
Part Numbers	MTGM46634	MTGM46634-Y	MTGM46634-P
	MTGM32484	MTGM32484-005	MTGM32484-P
	MTGM46635	MTGM46635-Y	MTGM46635-P



© Otis Elevator, January 2008



160

North America: (800) 600 - 6847 • Fax (860) 286 - 1605  
Elsewhere: (860) 242-3632 • Fax (860) 286 - 1657



# ESCALATOR PARTS

## Peelle Escalators

### Aluminum Combs

#### ED 32

Finish	Aluminum	Yellow
Part Numbers	SCHD83086	SCHD83086Y
	SCHD63018	SCHD63018Y
	SCHD83085	SCHD83085Y

#### ED 48

Finish	Aluminum	Yellow
Part Numbers	SCHD83084	SCHD83084Y
	SCHD63018	SCHD63018Y
	SCHD80815	SCHD80815Y

#### CD 32

Finish	Aluminum
Part Numbers	SCHD80851
	SCHD60682
	SCHD80852

#### CD 48

Finish	Aluminum
Part Numbers	SCHD80821
	SCHD60682
	SCHD80815



# OTIS

## Schindler Escalators

### Aluminum Combs

**SWE, SDS, SWT, SGT, SWU, EWE, EWG, EWH 32, 40, 48**

Finish	Aluminum	Yellow
Part Numbers	SCHDSMR989515	SCHDSMR898743
	SCHDSMR313609	SCHDSMR313283
	SCHDSMR898516	SCHDSMR898744

**RSE, RSH (MOVING WALK) 40, 48**

Finish	Aluminum	Yellow
Part Numbers	SCHDSFR394099	SCHDSFR394099Y
	SCHDSFR394100	SCHDSFR394100Y

**9300, 9700 32**

Finish	Aluminum	Yellow
Part Numbers	SCHDSMR898515	SCHDSMR898743
	SCHDSMR898462	SCHDSMR898632
	SCHDSMR898516	SCHDSMR898744

**9300, 9500, 9700 40, 48**

Finish	Aluminum	Yellow
Part Numbers	SCHDSMR898515	SCHDSMR898743
	SCHDSMR898462	SCHDSMR898632
	SCHDSMR898516	SCHDSMR898744



© Otis Elevator, January 2008



162

North America: (800) 600 - 6847 • Fax (860) 286 - 1605  
Elsewhere: (860) 242-3632 • Fax (860) 286 - 1657

# ESCALATOR PARTS

## Westinghouse Escalators

### Combs

#### S 24, 36, 48

Finish	Aluminum	Yellow (Aluminum)
Part Numbers	WESTR8911H07	WESTR8911H07-Y
	WESTR8911H09	WESTR8911H09-Y
	WESTR8911H08	WESTR8911H08-Y

#### L 32

Finish	Aluminum	Yellow (Aluminum)
Part Numbers	WESTR9502H04	WESTR9502H04-Y
	WESTR9502H03	WESTR9502H03-Y

#### L 48

Finish	Aluminum	Yellow (Aluminum)
Part Numbers	WESTT7064H02	WESTT7064H02-Y
	WESTT7064H03	WESTT7064H03-Y
	WESTT7064H01	WESTT7064H01-Y



# OTIS

## Westinghouse Escalators (continued)



### NT 32

Finish	Aluminum	Yellow (Aluminum)	Yellow (Plastic)
Part Numbers	WEST628D184H01	WEST628D184H01-Y	WEST628D184H01-P
	WEST626D315H06	WEST626D315H06-Y	WEST626D315H06-P
	WEST628D184H02	WEST628D184H02-Y	WEST628D184H02-P

### NT 48

Finish	Aluminum	Yellow (Aluminum)	Yellow (Plastic)
Part Numbers	WEST628D184H03	WEST628D184H03-Y	WEST628D184H03-P
	WEST626D315H06	WEST626D315H06-Y	WEST626D315H06-P
	WEST628D184H04	WEST628D184H04-Y	WEST628D184H04-P

### N & M Modular 100, 220, 250, and Moduline 200 (Hyundai) 32

Finish	Aluminum	Yellow (Aluminum)	Yellow (Plastic)
Part Numbers	WEST626D315H02	WEST626D315H02-Y	WEST626D315H02-P
	WEST626D315H06	WEST626D315H06-Y	WEST626D315H06-P
	WEST626D315H03	WEST626D315H03-Y	WEST626D315H03-P

### N & M Modular 100, 220, 250, and Moduline 200 (Hyundai) 48

Finish	Aluminum	Yellow (Aluminum)	Yellow (Plastic)
Part Numbers	WEST626D315H04	WEST626D315H04-Y	WEST626D315H04-P
	WEST626D315H06	WEST626D315H06-Y	WEST626D315H06-P
	WEST626D315H05	WEST626D315H05-Y	WEST626D315H05-P

© Otis Elevator, January 2008



164

**North America: (800) 600 - 6847 • Fax (860) 286 - 1605**  
**Elsewhere: (860) 242-3632 • Fax (860) 286 - 1657**

# ESCALATOR PARTS

## Decimal and Millimeter Equivalents

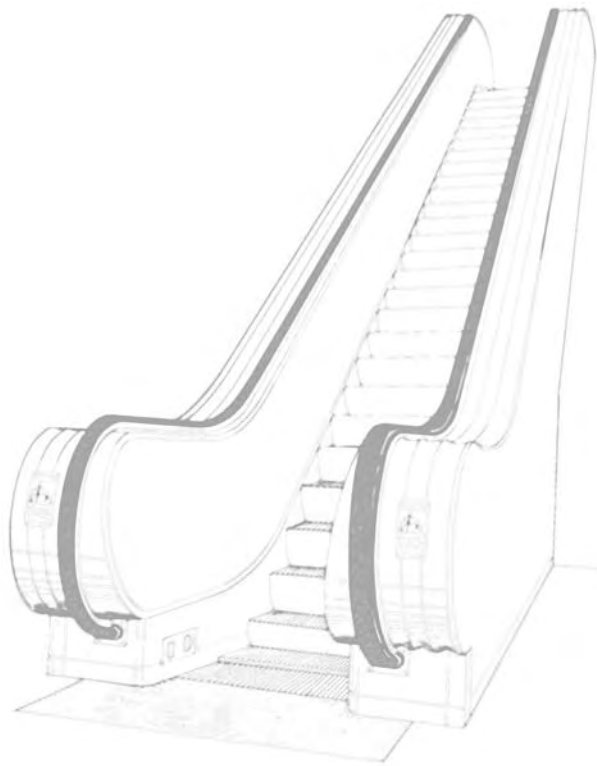
FRACTIONS OF INCH	DECIMALS	MILLIMETERS	FRACTIONS OF INCH	DECIMALS	MILLIMETERS
1/64	.015625	0.397	33/64	.515625	13.097
1/32	.031250	0.794	17/32	.531250	13.494
3/64	.046875	1.191	35/64	.546875	13.891
1/16	.062500	1.588	9/16	.562500	14.288
5/64	.078125	1.984	37/64	.578125	14.684
3/32	.093750	2.381	19/32	.593750	15.081
7/64	.109375	2.778	39/64	.609375	15.478
1/8	.125000	3.175	5/8	.625000	15.875
9/64	.140625	3.572	41/64	.640625	16.272
5/32	.156250	3.969	21/32	.656250	16.669
11/64	.171875	4.366	43/64	.671875	17.066
3/16	.187500	4.763	11/16	.687500	17.463
13/64	.203125	5.159	45/64	.703125	17.859
7/32	.218750	5.556	23/32	.7187500	18.256
15/64	.234375	5.953	47/64	.734375	18.653
1/4	.250000	6.350	3/4	.750000	19.050
17/64	.265623	6.747	49/64	.765625	19.447
9/32	.281250	7.144	25/32	.781250	19.844
19/64	.296875	7.541	51/64	.796875	20.241
5/16	.312500	7.938	13/16	.812500	20.638
21/64	.328125	8.334	53/64	.828125	21.034
11/32	.343750	8.731	27/32	.843750	21.431
23/64	.359375	9.128	55/64	.859375	21.828
3/8	.375000	9.525	7/8	.875000	22.225
25/64	.390625	9.922	57/64	.890625	22.622
13/32	.406250	10.319	29/32	.906250	23.019
27/64	.421875	10.716	59/64	.921875	23.416
7/16	.437500	11.113	15/16	.937500	23.813
29/64	.453125	11.509	61/64	.953125	24.209
15/32	.468750	11.906	31/32	.968750	24.606
31/64	.484375	12.303	63/64	.984375	25.003
1/2	.500000	12.700	1	1.000000	25.400







# OTIS



North America: (800) 600 - 6847 • Fax (860) 286 - 1605  
Elsewhere: (860) 242-3632 • Fax (860) 286 - 1657