



Interlocks

csemailorders@otis.com

Notes About This Catalog Section

Terminology, Sizing Standards, and Use

- The primary measurements shown for parts are based upon their design drawings.
- Most measurements are provided in both Imperial units (for the United States) and metric units (for Canada, Mexico, etc.). If only one form of a measurement is provided, assume Imperial units (generally inches) unless otherwise stated.
- Most Imperial measurements are rounded to the nearest tenth or hundredth of an inch and most metric measurements are rounded to the nearest millimeter.

Table of Contents

Notes About This Catalog 2

Picture Index..... 5

Classic Otis Locks (typically limited spare parts; call OSC) 12

 No. 3 and No. 3-A Door Locks..... 12

 No. 5 and No. 5-A Door Locks..... 13

 No. 6 and No. 7 Mechanical Door Locks 14

 No. 8 Magnetic Door Lock 15

 “K” and “KP” Door Locks 16

 Type 10-O Gate Lock and Contact 17

 Type 12-O Gate Lock and Contact 18

 6910B Door Interlock Switch 19

“L” and “LA” Locks 20

 “L” Door Interlock 20

 “LA” Door Interlocks..... 22

 “L” Door Contact 24

“N” and “NC” Interlock Switches 25

6940BA (GAL) Interlock..... 27

7080A and 7080D Interlocks..... 28

 7080D Interlocks..... 28

 7080E Switch..... 30

 7080C Unlocking Assembly 31

7661 Interlock..... 32

7740A and 7740D - MRVF Interlock..... 34

 7740B Interlock Switch 36

HPLIM Interlock Assembly 37

 ACA23400E Interlock Switch 38

 Unlocking Assembly w/Standard Unlocking Device..... 39

Table of Contents

YX10202A OVL Interlock Assembly..... 40

- Lift Rod Assembly..... 41
- Drive Lever Assembly..... 42
- Door Lock Latch Assembly..... 43
- Switch Assembly..... 44

Manual and Power-Operated Vertical Bi-Parting Hoistway Doors..... 45

- 6690A Door Lock..... 45
- 6690B Interlocking Device..... 47

E6940AP Interlock and Reel Closer Assembly 48

- Type E6940AP Interlock..... 48
- Type 6940C Latch Assembly..... 49
- Latch Assembly Parts..... 50
- Latch Assembly Parts..... 51
- Bell Crank Assembly..... 52
- Switch Box Assembly Type 6940AG & A6940AG (post-1962)..... 54
- Switch Box Assembly Type A6940B (pre-1962 locks)..... 55

6940 Interlock Rebuild Kits 56

NG Interlock..... 60

Unlocking Devices and Keys..... 61

- Emergency Key Box (for Vertical Bi-Parting Hoistway Door Locks) 61
- Unlocking Kits..... 62
- AAA6940CA Emergency Key & Transmission Device..... 64
- Hoistway Access Device (Gen2)..... 66
- Emergency Keys 68
- Escutcheon Tubes and Collars..... 69

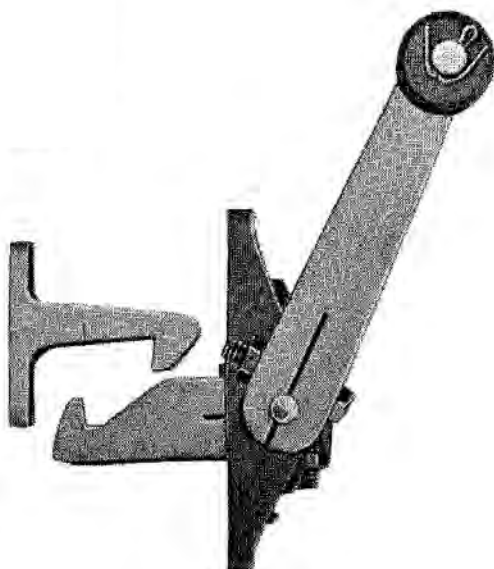
Picture Index



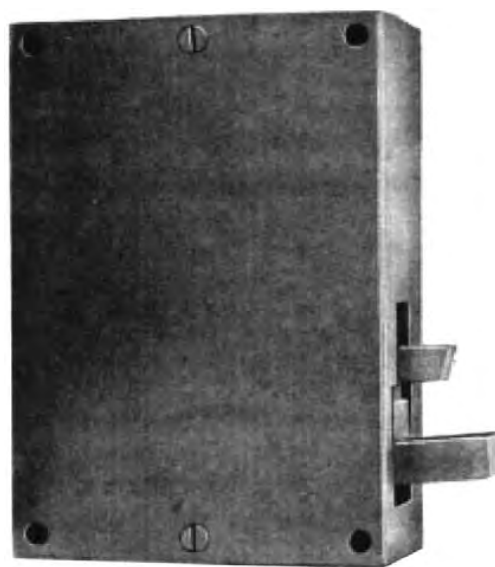
No. 3 and No. 3-A Door Locks
p. 12



No. 5 and No. 5-A Door Locks
p. 13



No. 6 and No. 7 (shown) Mechanical Door Locks
p. 14

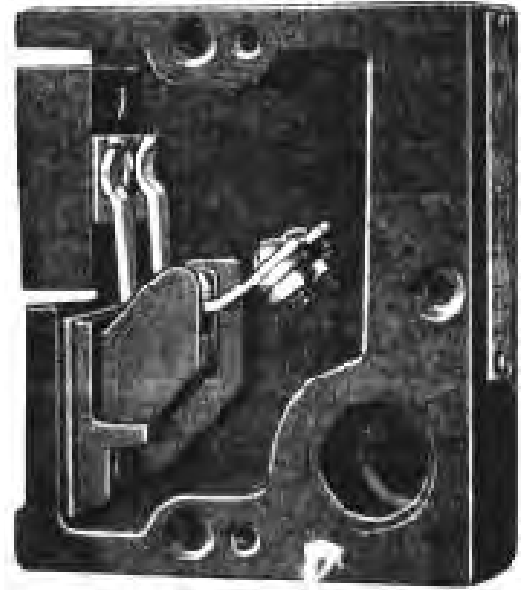


No. 8 Magnetic Door Lock
(for Dumbwaiters p. 15)

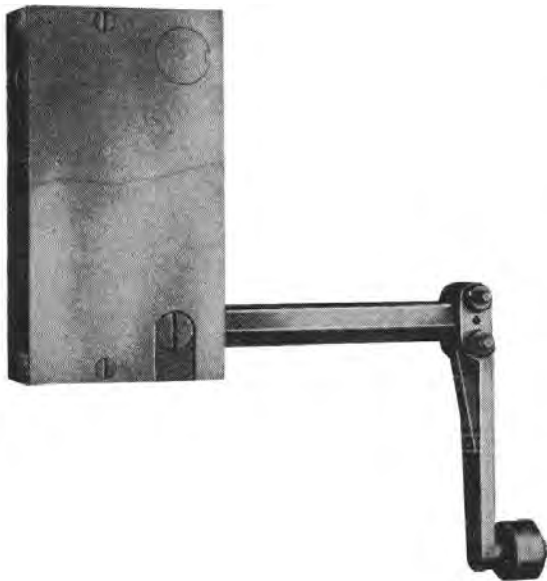
Interlocks



“L” Door Interlock
p. 20



“L” Door Contact
p. 24



“LA” Door Lock
p. 22

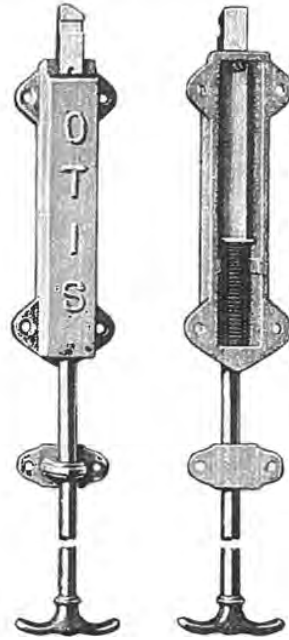


“P” Door Lock
(limited spare parts; contact OSC)

Picture Index (continued)



"T" Interlock Switch
(limited spare parts; contact OSC)



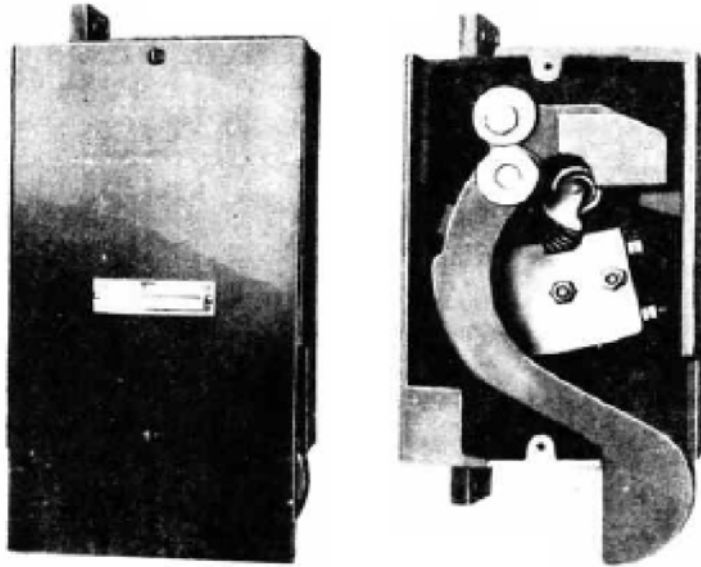
"K" and "KP" Door Locks
p. 16



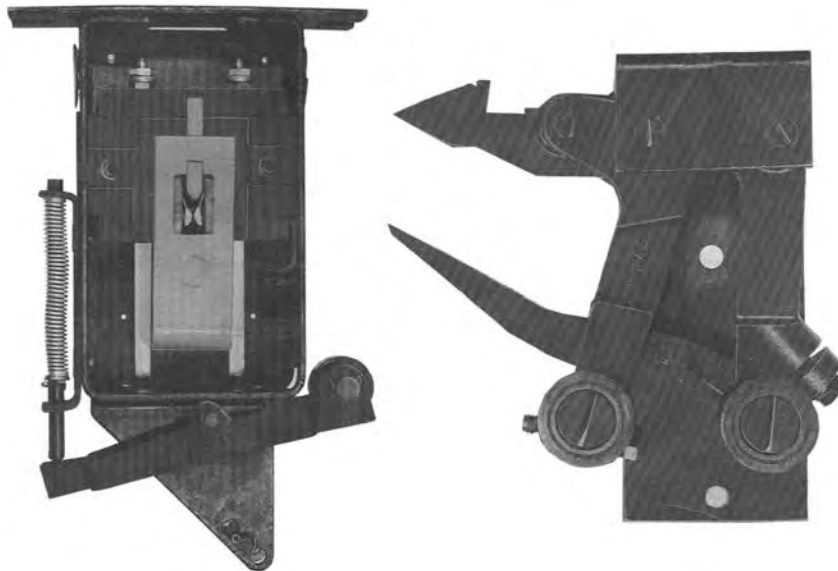
10-0 Gate Lock and Contact
p. 17



"SA" Gate Lock
(limited spare parts; contact OSC)

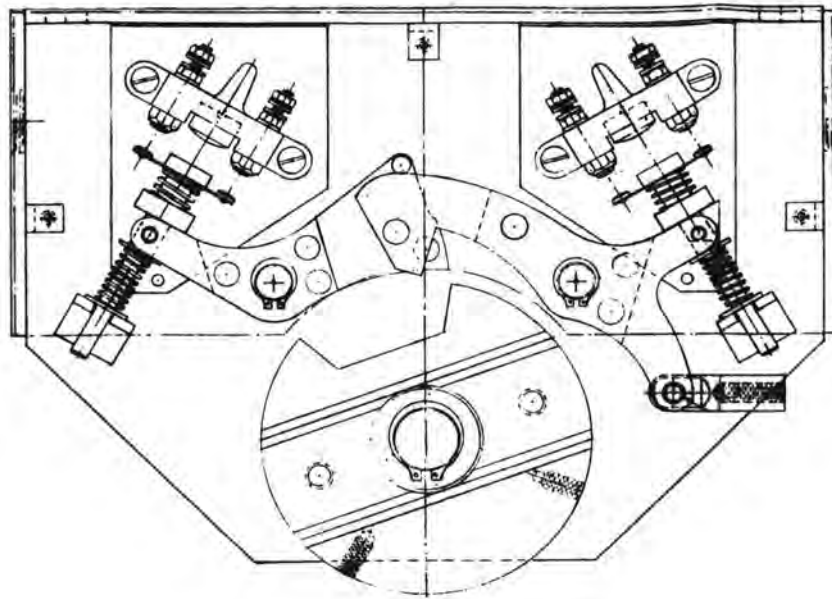


12-O Gate Lock and Contact
p. 18

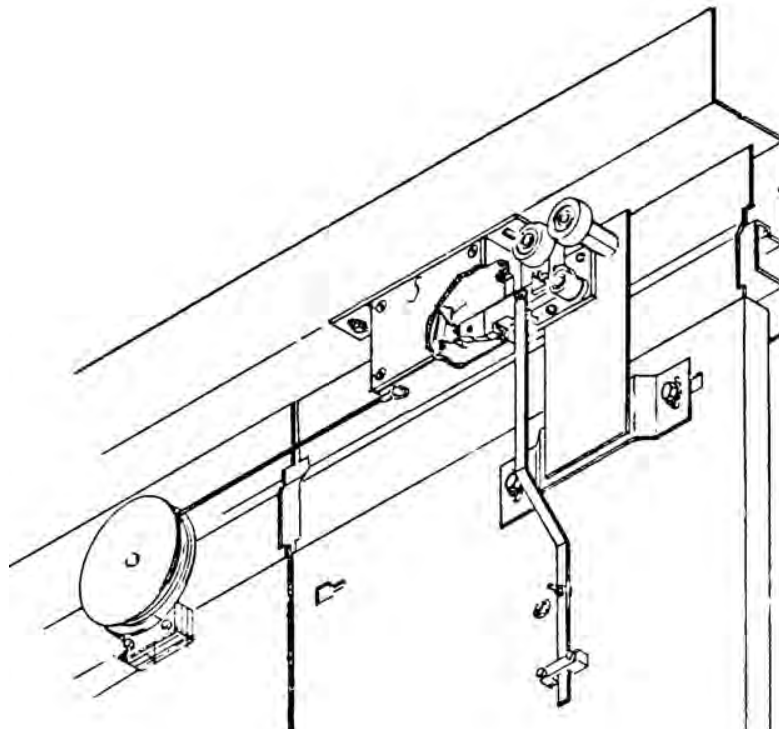


"N" and "NC" Interlock Switches
p. 25

Picture Index (continued)

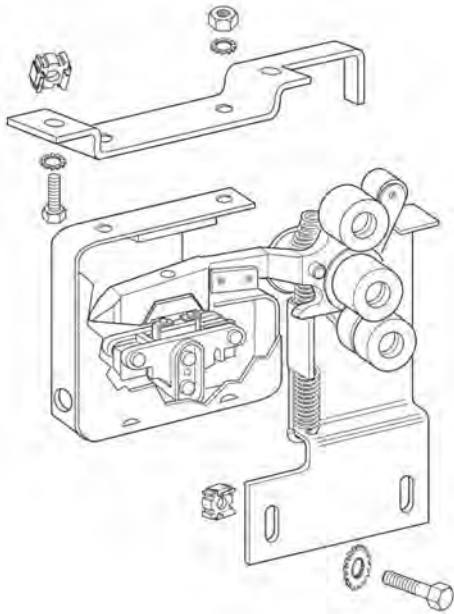


6910B Interlock Switch
p. 19

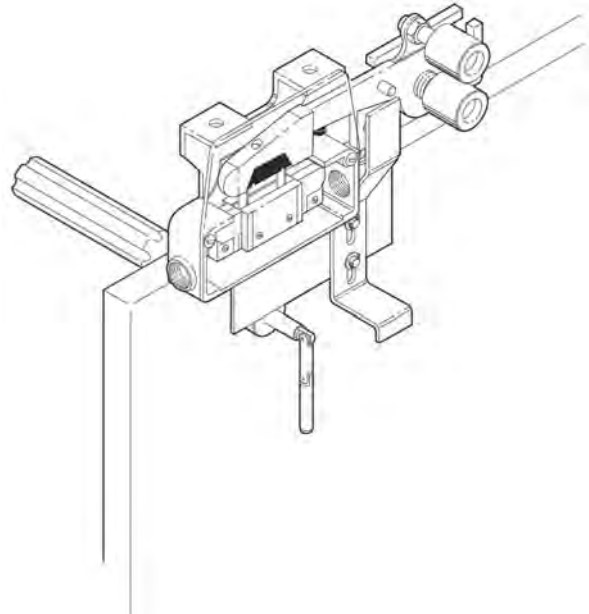


6940BA Interlock
p. 27

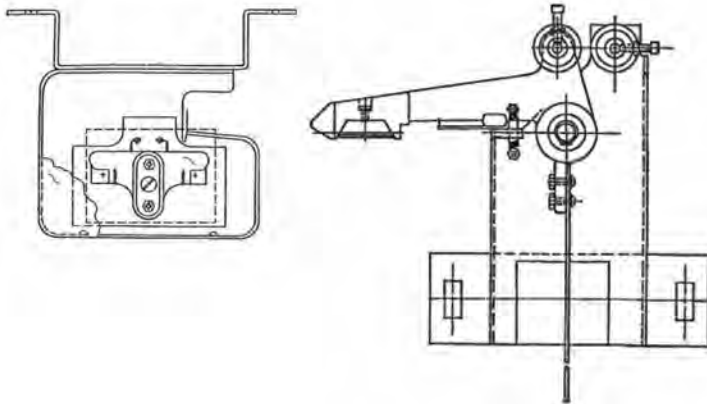
Interlocks



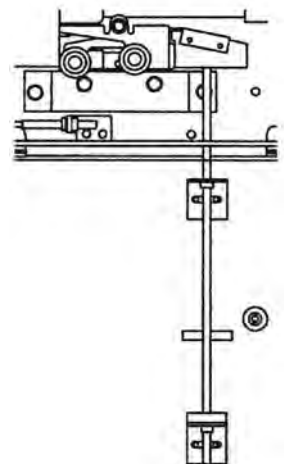
7080A and 7080D Interlock
p. 28



7661 Interlock
p. 32

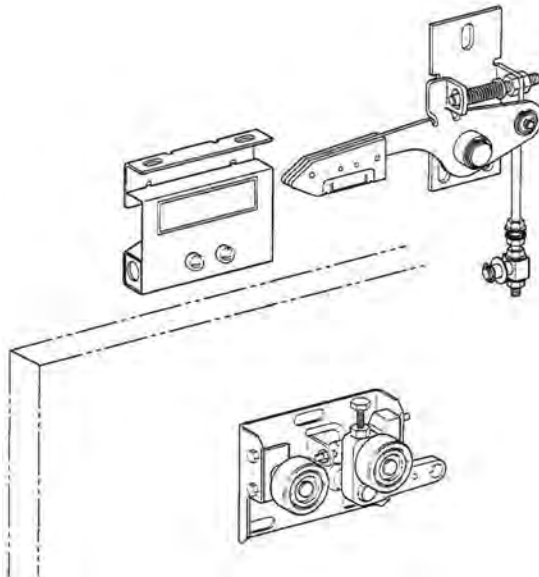


7740A and 7740D (MRVF) Interlock
p. 35

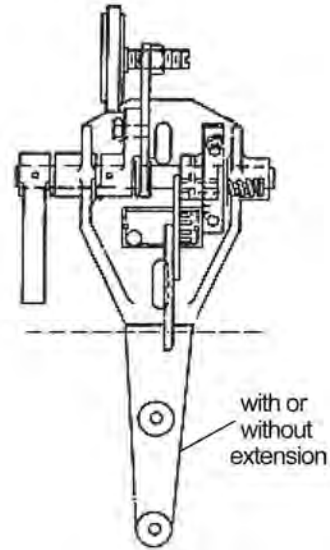


HPLIM Interlock
p. 38

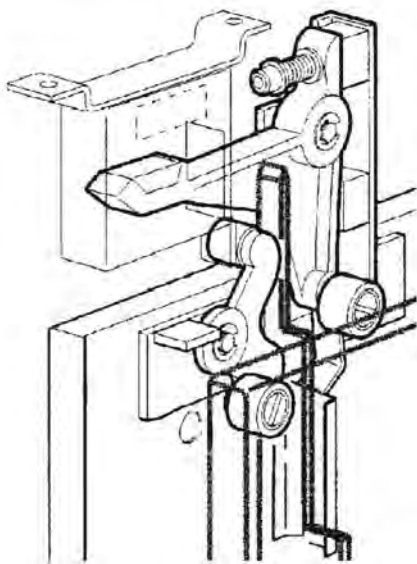
Picture Index (continued)



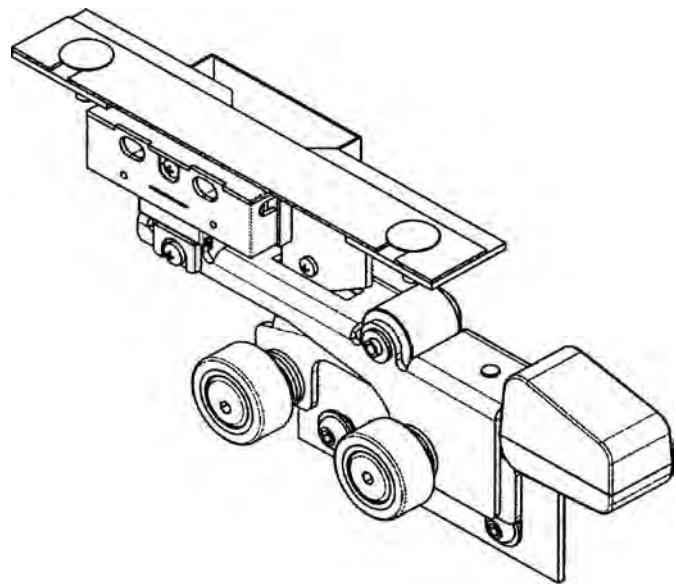
YX10202A Interlock
(first used on MRQ w/OVL operator)
p. 40



**Power and Manual Operated Vertical
Bi-Parting Hoistway Doors**
p. 45



E6940AP Interlock
p. 48



NG Interlock
p. 60

Classic Otis Locks (typically limited spare parts; call OSC)

No. 3 and No. 3-A Door Locks

Part Number	Description
126646	Base, Contact Bridge, with Contact (for door latch)
126650	Contact, Spring with Connector (for lock latch)
148182	Lever, Lock Shaft, with Roller, Pins, Washers, Screw and Nut
456AA1	Roller, Striker 3/8 in. ID, 1-1/4 in. OD, 5/8 in. Face (for lock shaft lever)
90PA1	Spring, Contact, 7/32 in. ID x 3/8 in. Long (for contact 126650)



No. 3 Door Lock

No. 3-A Door Lock

No. 5 and No. 5-A Door Locks

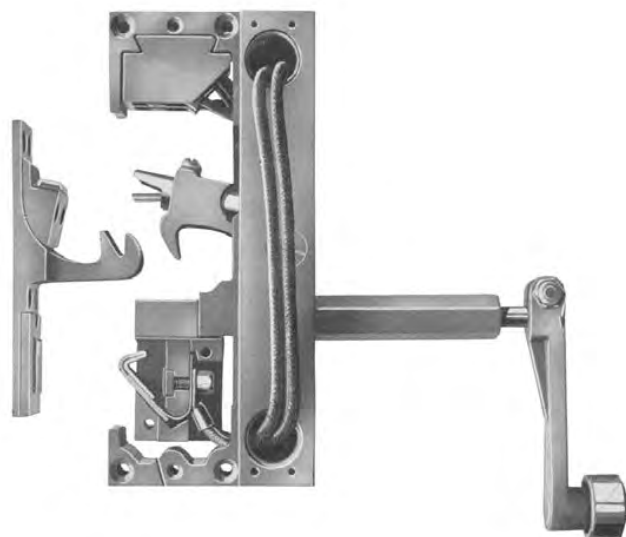
Part Number	Description
126646	Base, Contact Bridge, with Contact (for door latch)
126650	Contact, Spring with Connector (for lock latch)
148182	Lever, Lock Shaft, with Roller, Pins, Washers, Screw and Nut
456BB1	Roller, Striker 3/8 in. ID, 1 in. OD, 1/2 in. Face (for lock shaft lever and roller levers)



No. 5 Door Lock



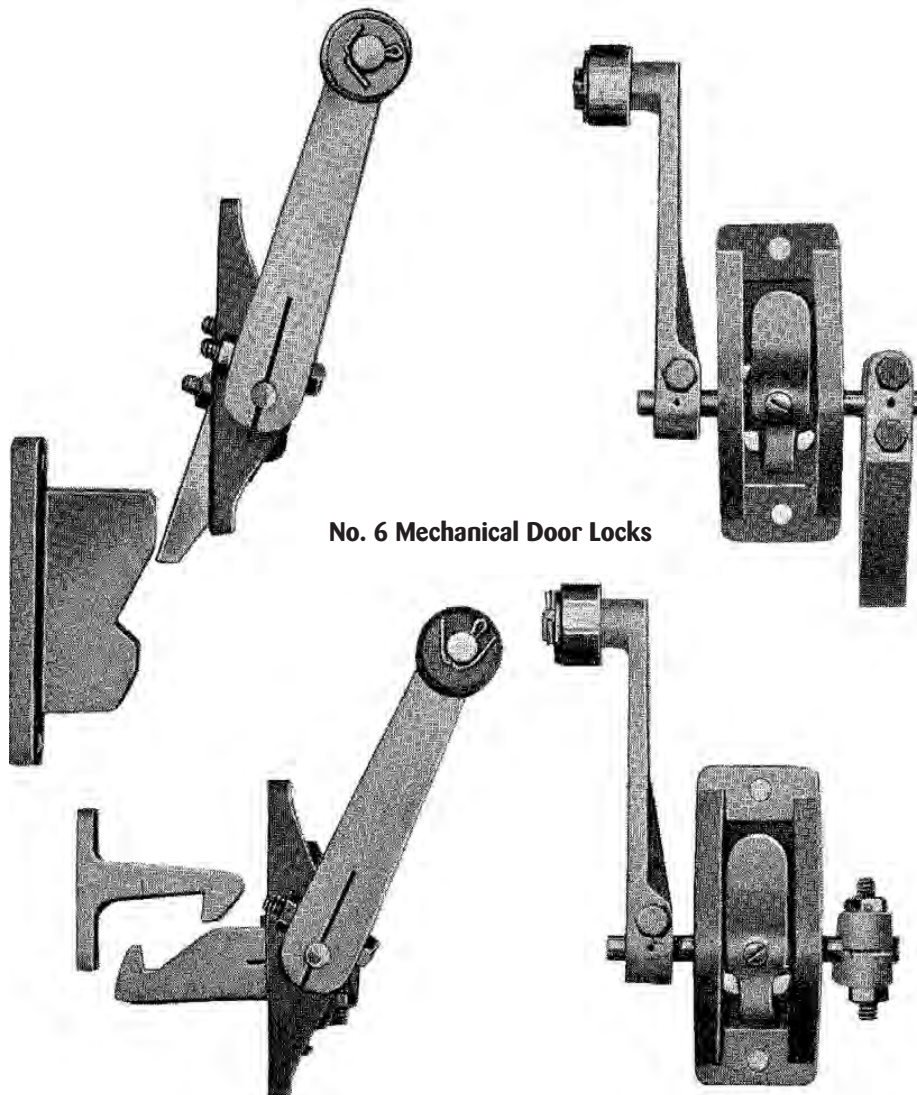
No. 5A Door Lock



Classic Otis Locks (continued)

No. 6 and No. 7 Mechanical Door Locks

Part Number	Description
132043	Arm, Roller, with Pin
456BB1	Roller, Striker (for roller arm and Peelle door keeper)
90EB5	Spring, 3/8 in. ID, 1-1/8 in. Long

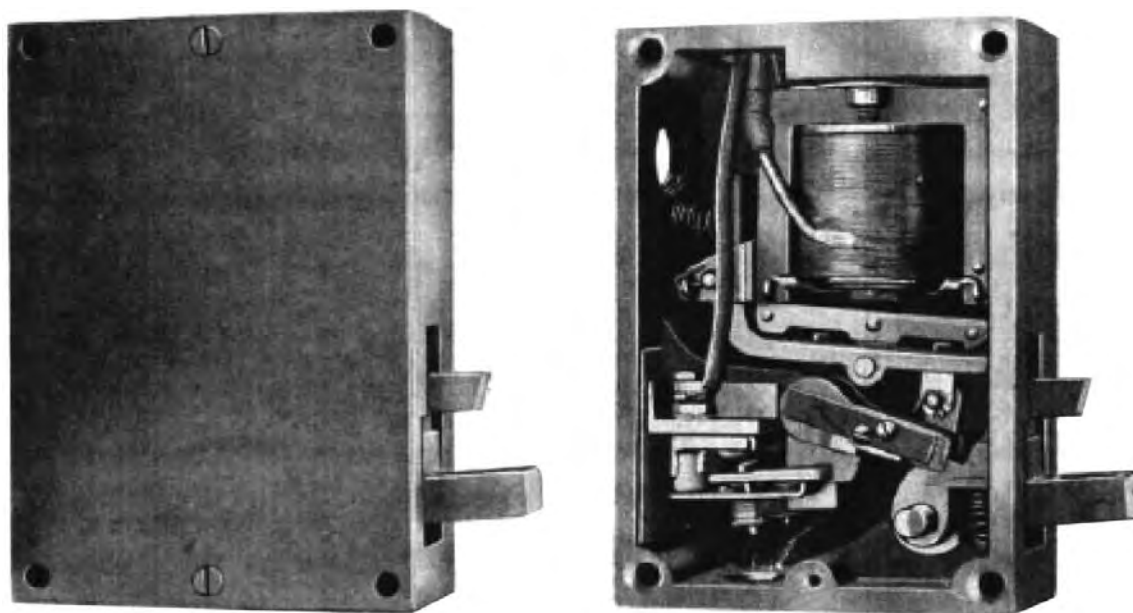


No. 6 Mechanical Door Locks

No. 7 Mechanical Door Locks

No. 8 Magnetic Door Lock

Part Number	Description
138142	Coil, Phase Splitting
138156	Contact, Finger, Copper
144G1	Pin, 3/16 in. x 1-15/16 in., Steel
90VA8	Spring, 9/32 in. OD, 1-1/16 in. Long (for catch and locking lever)

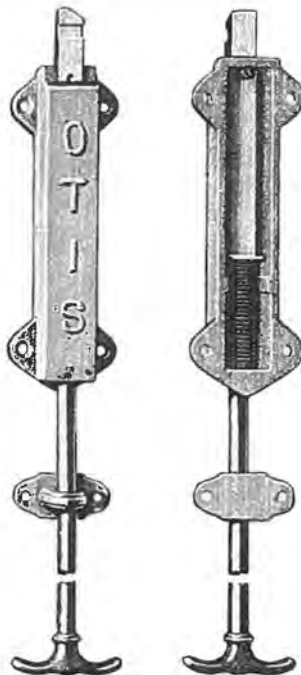


No. 8 Magnetic Door Lock

Classic Otis Locks (continued)

“K” and “KP” Door Locks

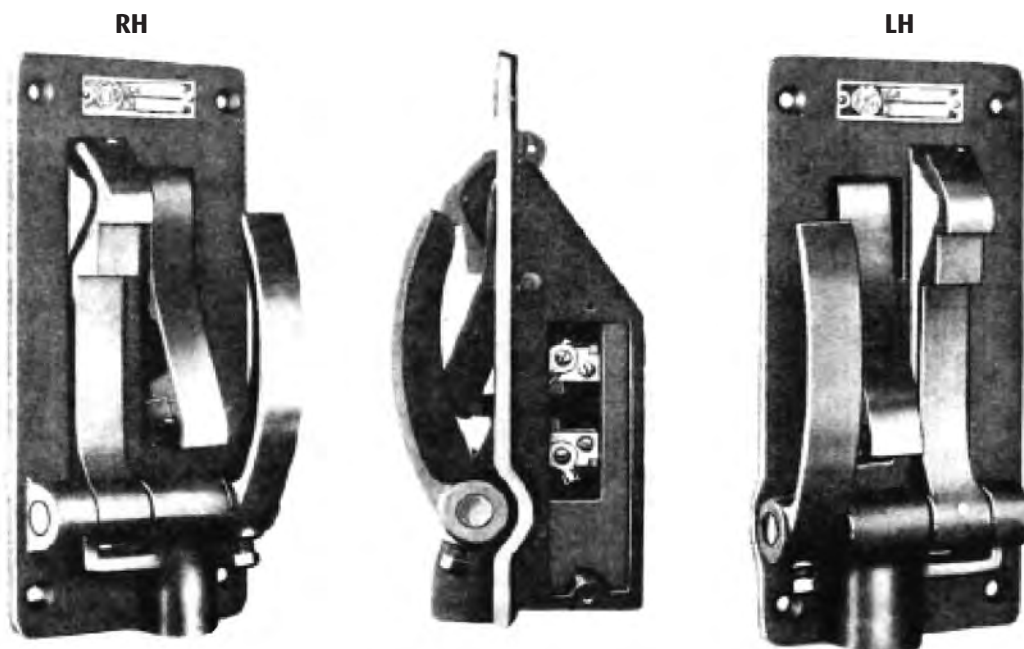
Part Number	Description
181693	Switch, “K” Door Lock, Complete (Shown Below)
163988	Switch, “KP” Door Lock, Complete
121467	Block, Contact (125361), Lower, 7/16 in. x 7/8 in. x 2-7/8 in. Long
121468	Block, Contact, Upper, 3/16 in. x 1 in. x 3-1/4 in. Long
125361	Contact, Copper with Silver Inlay
150R3	Contact, Spring, Silver
90PA1	Spring, 7/32 in. ID, 3/8 in. Long (used in “KP” locks)
120027	Lever, Striking
806718	Pin, Hinge, 1/8 in. x 1-7/16 in., Steel (for levers)
194D2	Key, Emergency, Lunar Type



“K” and “KP” Door Locks

Type 10-O Gate Lock and Contact

Part Number	Description
CAA431A1	Complete, Lock, 10-O Gate, Right Hand
CAA431A2	Complete, Lock, 10-O Gate, Left Hand
145299	Contact, Movable (for Left Hand lock)
331Z1	Latch, Gate
288FG1	Lever, Releasing
78P7	Pin, (B) Hinge, 5/8 in. x 4-9/16 in., Steel (gate latch and lever to frames)
90PA5	Spring, 9/32 in. ID, 19/32 in. Long (for contact holders)

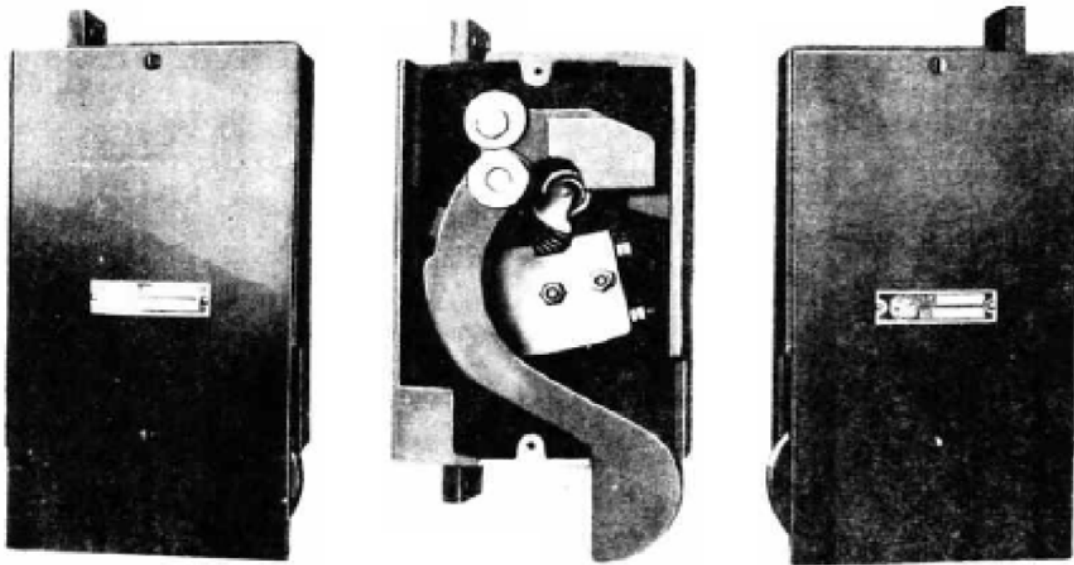


10-O Gate Lock and Contact

Classic Otis Locks (continued)

Type 12-O Gate Lock and Contact

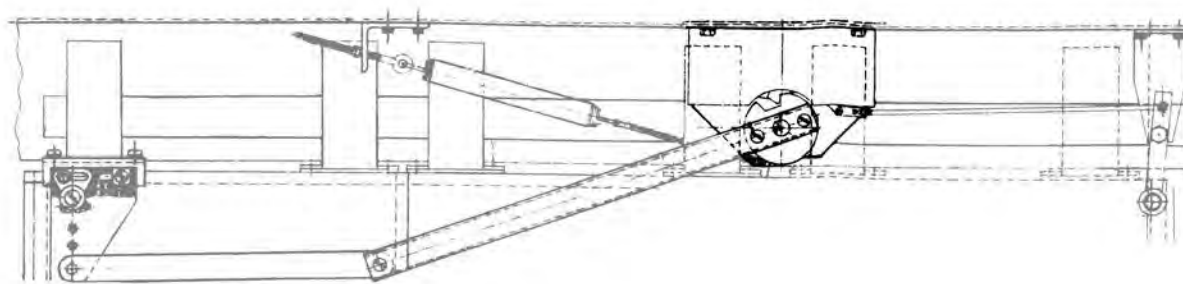
Part Number	Description
103921	Contact, 5/8 in. ID, 1/2 in. Long (for contact holder)
90BB8	Spring, 1/2 in. ID, 1-11/16 in. Long (for arm)



12-O Gate Lock and Contact

6910B Door Interlock Switch

Part Number	Description
6910B_	Complete Switches Are Special Order
150P36	Contact, Movable (quantity 2)
385FJ1	Guide, 3-1/16 in. Long (quantity 2)
81AX1	Pin, Roll, 3/16 in. Diameter, 3/4 in. Long (for latch and pawl to guide)
81AX19	Pin, Roll, 1/4 in. Diameter, 3/4 in. Long (for latch to lug)
90TA2	Spring, 17/32 in. ID, 11/16 in. Long, 6 Active Turns



6910B Door Interlock Switch

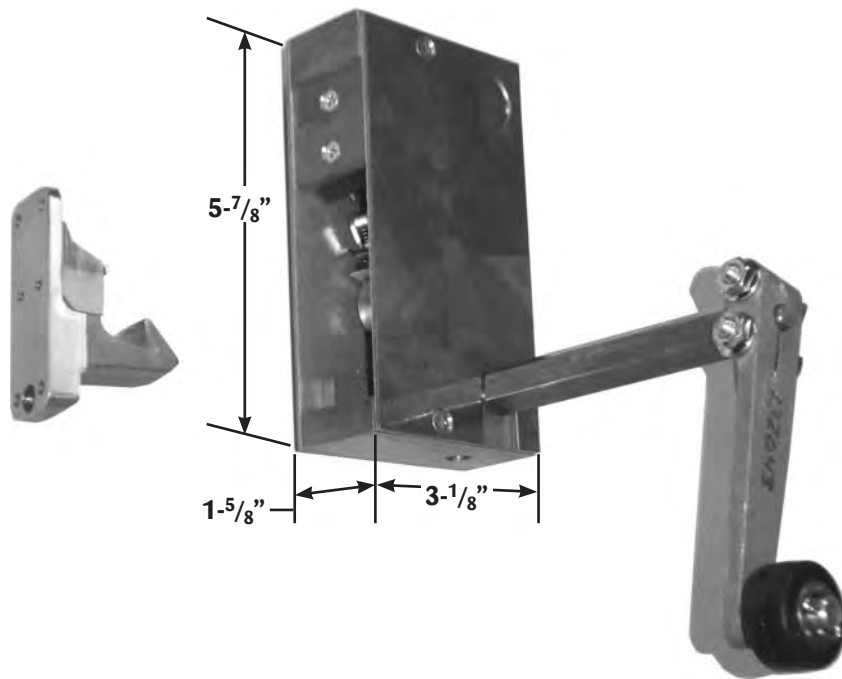
Interlocks

“L” and “LA” Locks

“L” Door Interlocks

Part Number	Description
521-VIII-2-L/H	Complete, “L” Door Interlock with 4-1/2 in. Long Lever Shaft, Left Hand
521-VIII-2-N/H	Complete, “L” Door Interlock with 4-1/2 in. Long Lever Shaft, No Hand
521-VIII-2-R/H	Complete, “L” Door Interlock with 4-1/2 in. Long Lever Shaft, Right Hand (SHOWN)
521-VIII-12-L/H	Complete, “L” Door Interlock with 24 in. Long Lever Shaft, Left Hand (NOTE)
521-VIII-12-R/H	Complete, “L” Door Interlock with 24 in. Long Lever Shaft, Right Hand (NOTE)

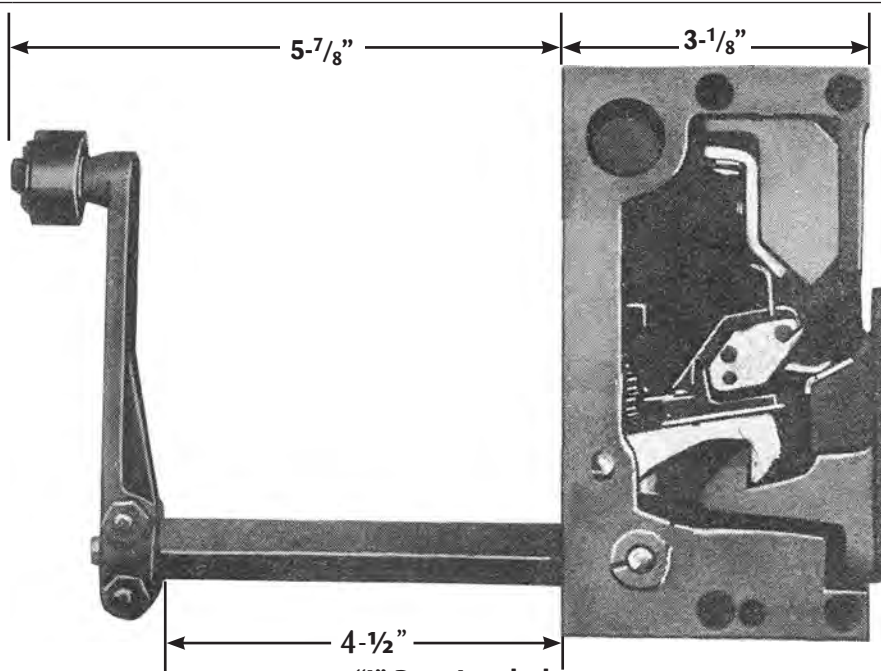
NOTE: Complete interlocks with 24 in. long lever are special order only.



“L” Door Interlock
(RH SHOWN)

“L” Door Interlocks (continued)

Part Number	Description
140233	Base, Contact, with Silver Bridging Contact (for keeper)
147451	Bearing, Lock Shaft, 4-1/2 in. Long Bronze
167594	Block, Terminal with Contacts (2) 152W1
140391	Bushing, Bearing, Bronze, 5/8 in. ID, 5/16 in. Long, with 1/2 in. Thread
152W1	Contact, Copper with Silver Inlay (for terminal block)
147976	Holder, Contact, Assembled (for contact support) 2 per lock
143447	Keeper, with Contact Base and Silver Bridging Contact (140233)
148182	Lever, Lock Shaft (with roller, pin, washer, bolts and nut)
456AA1	Roller, Striker 1-1/4 in. OD Face NOTE: This roller requires a 7/16 in. x 3/4 in. x 1/16 in. Washer, p/n 127VB25.
90KA3	Spring, 1/4 in. ID, 9/16 in. Long (for contact holder p/n 147976)
90BB15	Spring, 1/4 in. ID, 1-7/16 in. Long (for spindle p/n 132033)
151076	Support, Contact - w/(2) 147976 holders & screws

**“L” Door Interlock****NO HAND SHOWN**

(Related ‘Lunar’ type unlocking keys are:
194B2, 194C2, 194D2)

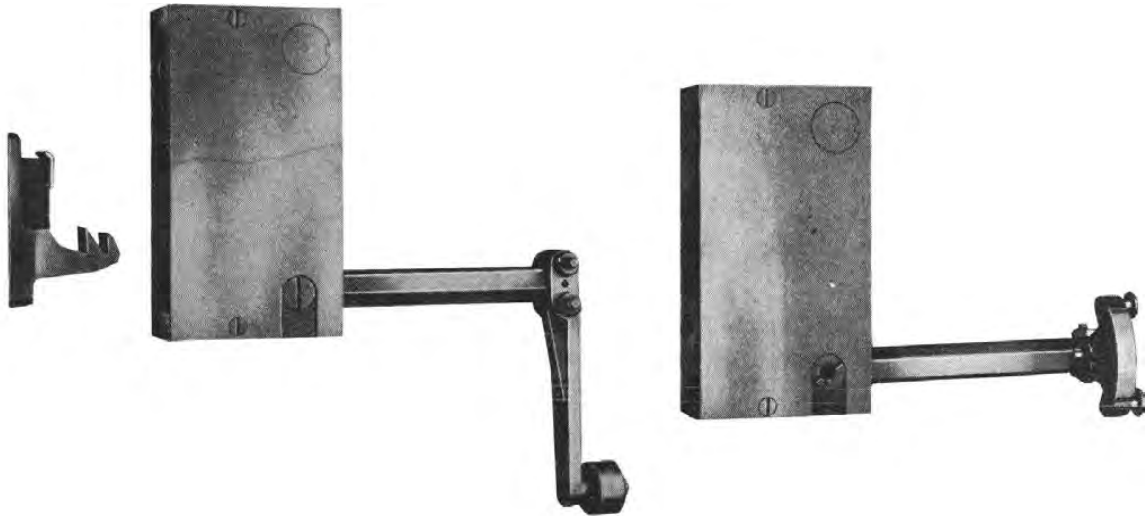
Interlocks

“LA” Door Interlocks

Part Number	Description
548-VIII-2-L/H	Complete, “LA” Door Interlock, Left Hand*
548-VIII-2-N/H	Complete, “LA” Door Interlock, No Hand
548-VIII-2-R/H	Complete, “LA” Door Interlock, Right Hand*
548-VIII-3-N/H	Complete, “LA” Door Interlock, No Hand*
548-VIII-7-L/H	Complete, “LA” Door Interlock, Left Hand*

* Complete Interlock is Special Order Only

NOTE: Left hand and right hand assemblies can be altered locally to suit opposite hand.

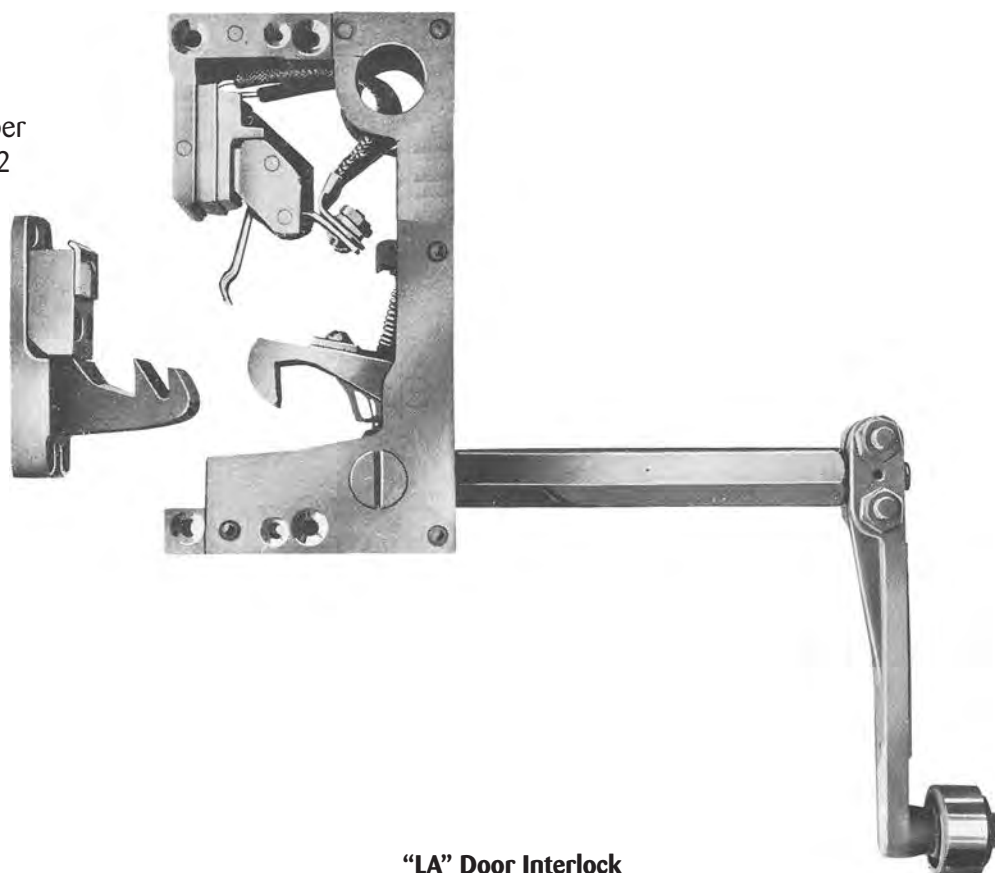


“LA” Door Interlock
(548-VIII-2-N/H shown)

“LA” Door Interlocks

Part Number	Description
158490	Base, Contact, with Bridge (for keeper)
147451	Bearing, Lock Shaft, 4-1/2 in. Long, Brass
140391	Bushing, Bearing, Bronze, 5/8 in. Diameter, 5/16 in. Long, with 1/2 in. Thread
156144	Holder, Contact, Assembled (for contact support p/n 132037) (2) per lock
132043	Lever, Lock Shaft (for p/n 148182)
80A3	Pin, #0 x 7/8 in. Taper (for lock shaft lever)
456AA1	Roller, Striker, 1-1/4 in. OD, 5/8 in. Face
96AG4	Shaft, Lock 5/16 in. x 6-1/2 in. Long, Steel (for single swinging or sliding doors)
132037	Support, Contact (for p/n 158492)
158492	Support, Contact - w/(2) 156144 holders & screws, assembled w/ 132037

Assembled keeper
shown: 166042

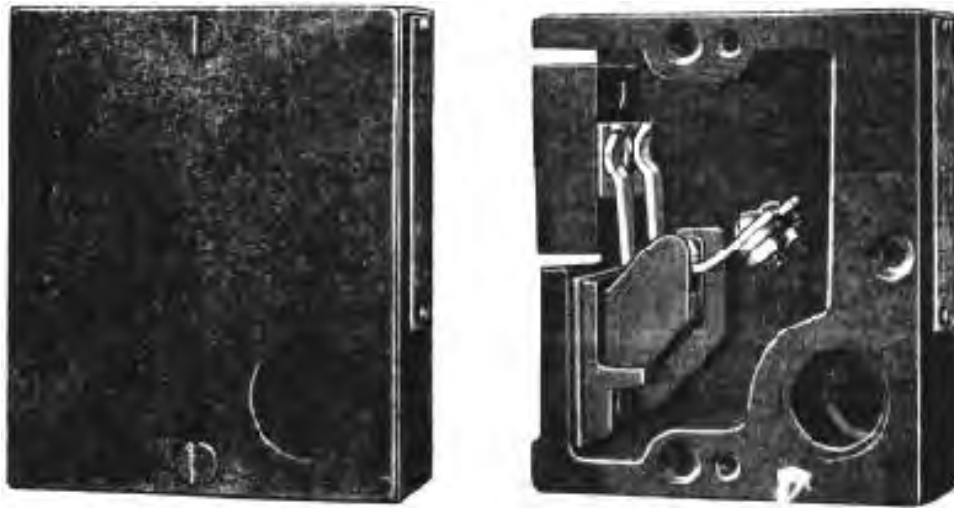


“LA” Door Interlock

Interlocks

“L” Door Contact

Part Number	Description
148160	Complete, “L” Door Contact
156143	Base, Contact Bridge (with bridge)
156144	Holder, Contact (with contact, connector, spring, screws and nuts) (2) per lock
132037	Support, Contact, with Drilled Holes for #8-32 Tap in Contact Case
158492	Support Assembly, Contact (p/n 132037), with Holders and Screws



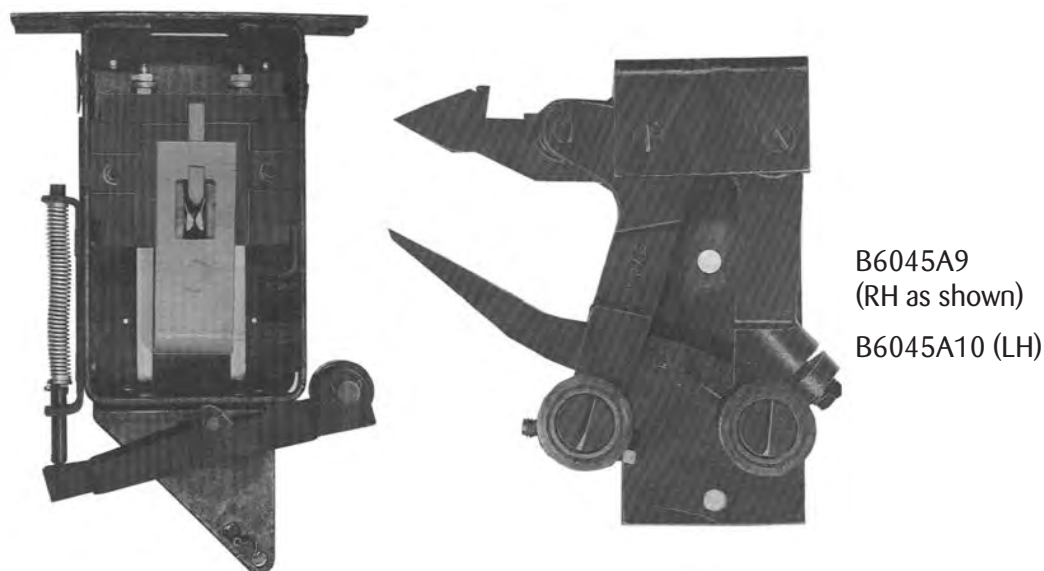
“L” Door Contact

“N” and “NC” Interlock Switches

Complete Interlock Switches

Part Number	Description
6047A2	Complete N-2 Interlock Switch for Type “O” Operator (shown below at left)
6047C2	Complete Interlock Switch for “N” and “NC” Pull Bars

* Pull bar picture on p. 26.



“N” and “NC” Interlock Switches

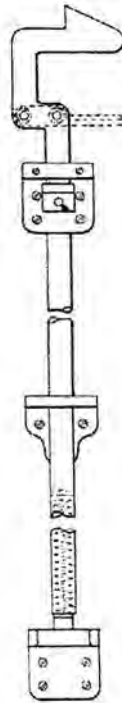
Switches

Part Number	Description
A306EB2	Base, with Silver Spring Contact (quantity 2)
78C2	Pin, Catch Roller
456D1	Roller, Catch
456BB1	Roller, Spring Lever
90BB14	Spring, 9/32 in. ID, 4-3/8 in. Long, 42 Active Turns
90LA4	Spring, 11/32 in. OD, 1 in. Long, 10 Active Turns (for bases p/n 306EB2)
90LA8	Spring, 5/16 in. OD, 2-3/4 in. Long, 22 Active Turns
477AN1	Stop

“N” and “NC” Interlock Switches (continued)

Hatch Door Lock

Part Number	Description
320A1	Bumper, Catch Lever, 1-1/2 in. x 1/2 in., Leather
331A1	Catch
77A1	Pin (for roller p/n 456C1)
77A2	Pin (for roller p/n 456C2)
77A3	Pin (for roller p/n 456C3)
77A4	Pin (for roller p/n 456C4)
456C1	Roller, 1-9/16 in. Face
456C2	Roller, 1-3/32 in. Face
456C3	Roller, 1-7/32 in. Face
456C4	Roller, 1-15/32 in. Face



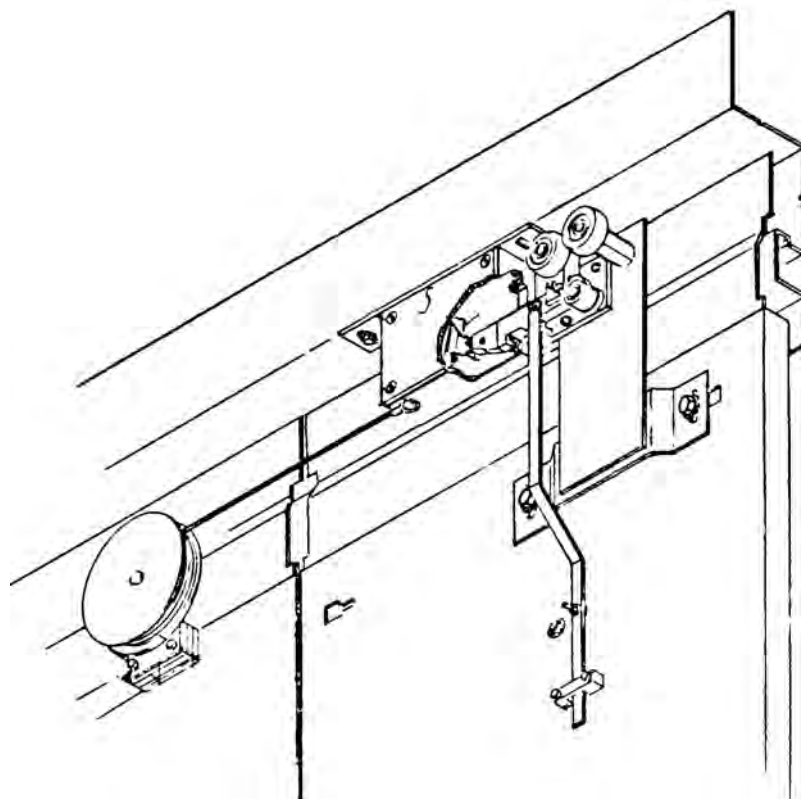
Pull Bar (special order only)

6940BA Interlock

GAL Lock

Part Number	Description
321CV3	Bushing, Escutcheon
340BJ2	Collar
456ES1	MO Roller and Shaft
VP-782025	MO-IO Keeper Release Assembly, Left Hand, w/Mounting Plate
VP-782023	MO-IO Keeper Release Assembly, Right Hand
VP-782024	MO-IO Keeper Release Mounting Plate Only w/Roller, Right Hand
GALCINT1H-0013L	Type MO Switch Assembly, Left Hand (switch box only)
GALCINT1H-0013R	Type MO Switch Assembly, Right Hand (switch box only)
6940BB1	Type MO Switch and keeper set Assembly, Complete w/o Link and Guide

NOTE: Limited number of early Otis LRV installations uses GAL locks.



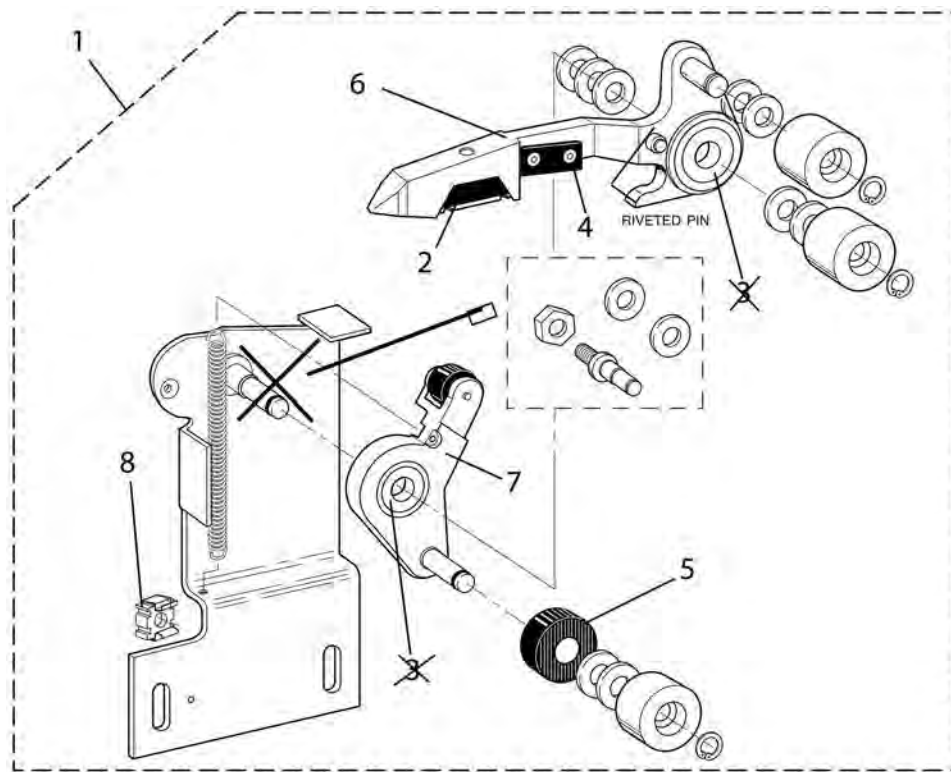
6940BA Interlock

7080A and 7080D Interlocks

7080D Interlocks

NOTE: Close coupled applications. Where possible, retain bearings, clean and relubricate if not worn beyond use as they are obsolete. Thicker replacement bearings are available through OSC. Call for information.

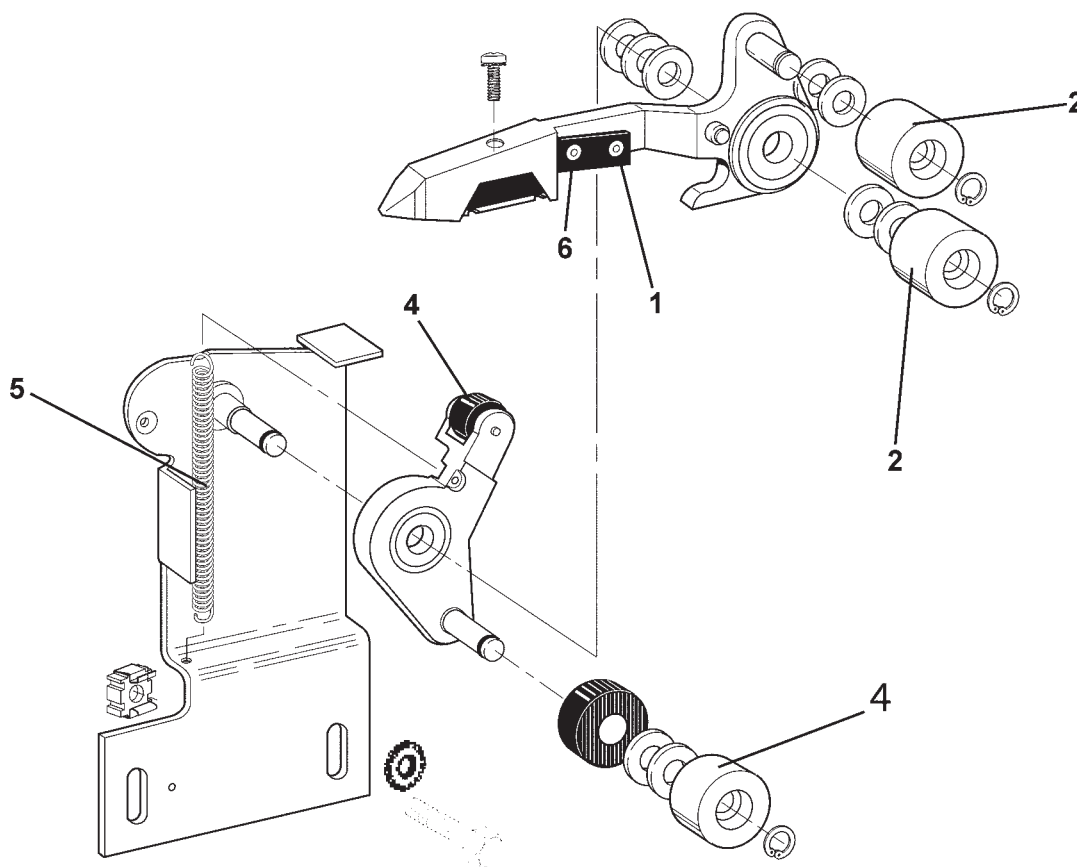
Ref.	Part Number	Description
1	A7080D1	Assembly, Door Lock and Mounting Parts
	A7080D2	Assembly, Door Lock and Mounting Parts (set up for unlocking device)
2	306FM1	Base, Contact
3	- - -	Bearings (see Note)
4	320BY1	Bumper
5	320BE5	Bumper, Rubber, 1-1/2 in.
6	331BE4	Latch with Bearing (set up w/rievted pin for unlocking device)
	331BE2	Latch with Bearing (w/o rievted pin)
7	307AT2	Lever with Bearing (w/o roller and roll pin)
8	72DJ2	Nut, Grip, 1/2-13



7080D Interlock

7080A and 7080D Interlocks (continued)

Ref.	Part Number	Description
1	144B19	Rivet, Round Head, 5/8 in Long
2	456DB4	Roller, 1-1/8 in L, for A7080D Assemblies
	456DB1	Roller, 1-1/4 in L for 7080D Assemblies (or order 456DB4 and [2] of 128D6)
3	456DB5	Roller, 31/32 in L, for A7080D Assemblies
	456DB3	Roller, 1 in L, for 7080D Assemblies (or order 456DB5 and [2] of 128D6)
4	456BT2	Roller, 0.390 in. OD
5	91B20	Spring, 5-1/8 in. L
6	128AF57	Washer, Special, Brass, 0.128 in. ID, 9/32 in. OD

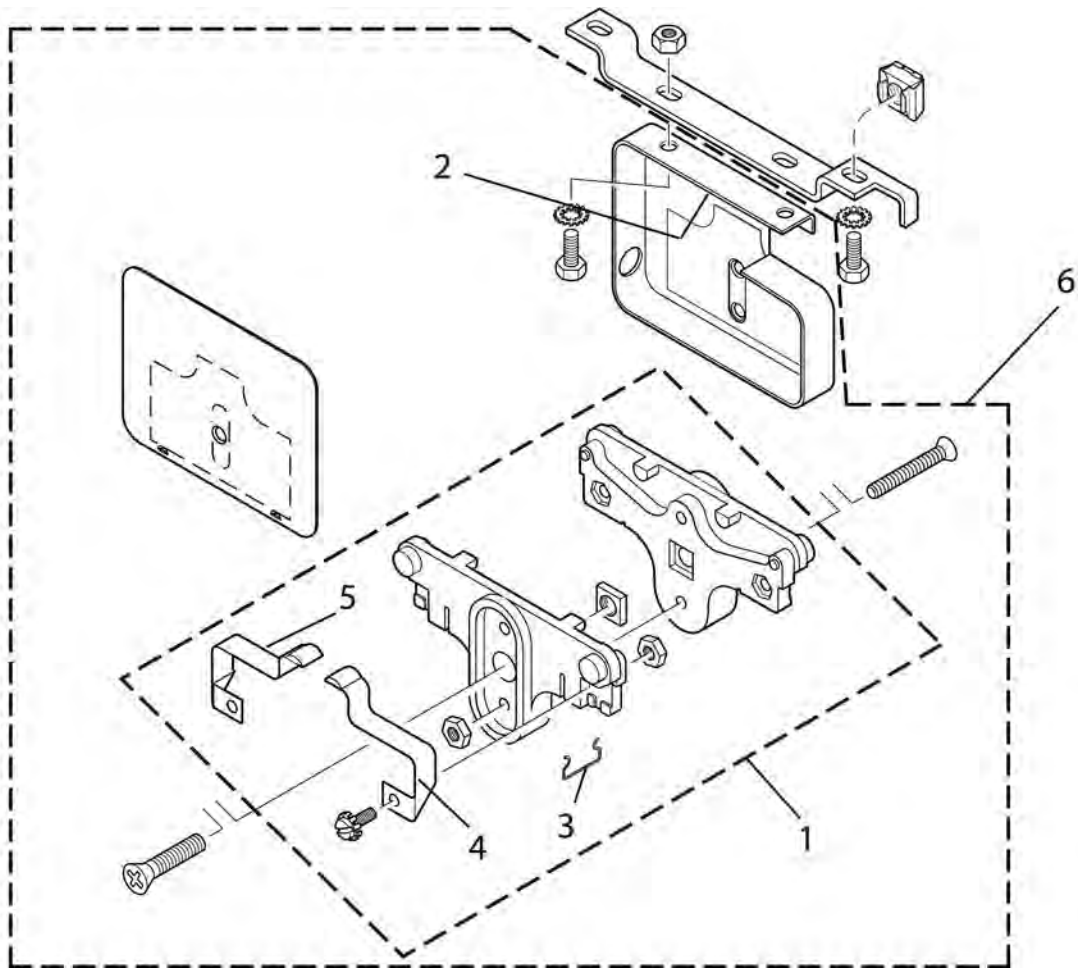


7080D Interlock

Interlocks

7080E Switch

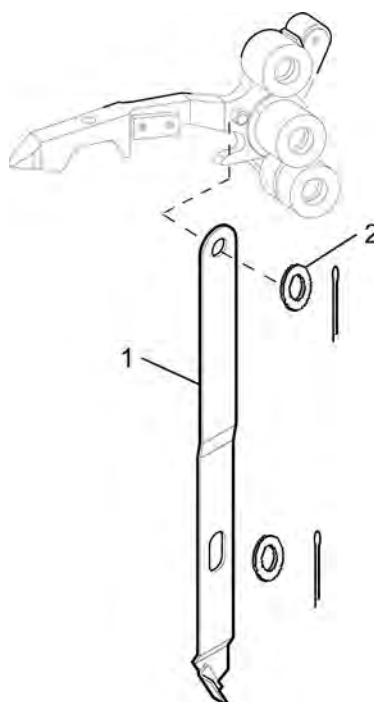
Ref.	Part Number	Description
1	6940AF3	Assembly, Contact
2	320CE1	Bumper
3	339FH1	Clip (2 required)
4	152BE9	Contact, Left Hand
5	152BE10	Contact, Right Hand
6	7080E1	Switch and Box Assembly



7080E Switch

7080C Unlocking Assembly

Ref.	Part Number	Description
1	288MN1	Lever, 10-3/4 in L with Offset
2	128A9	Washer

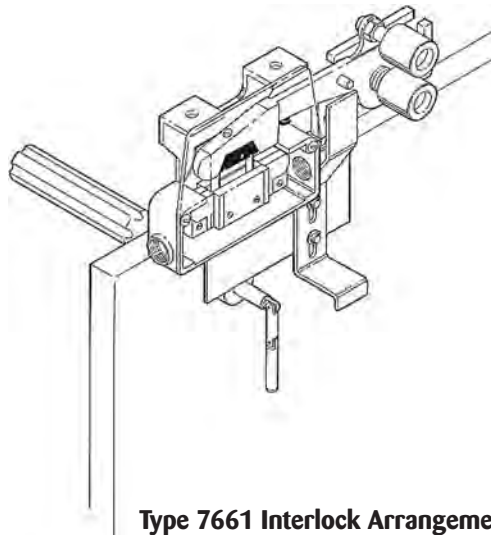


7080C Unlocking Assembly

7661 Interlock

7661B Latch Assembly

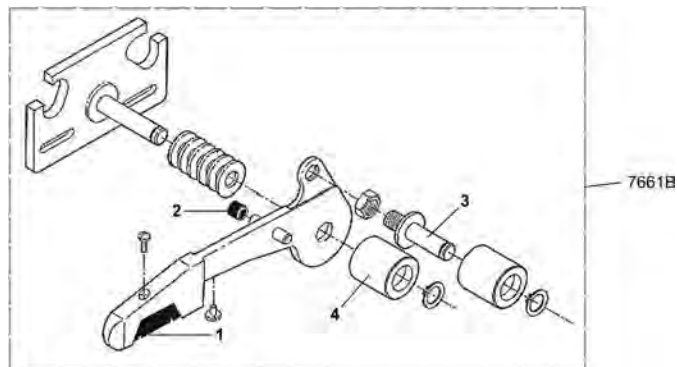
Part Number	Description
7661B1	Assembly, Latch, Right Hand (shown)
7661B2	Assembly, Latch, Left Hand



Type 7661 Interlock Arrangement w/7661B Latch Assembly

Latch Assembly Parts

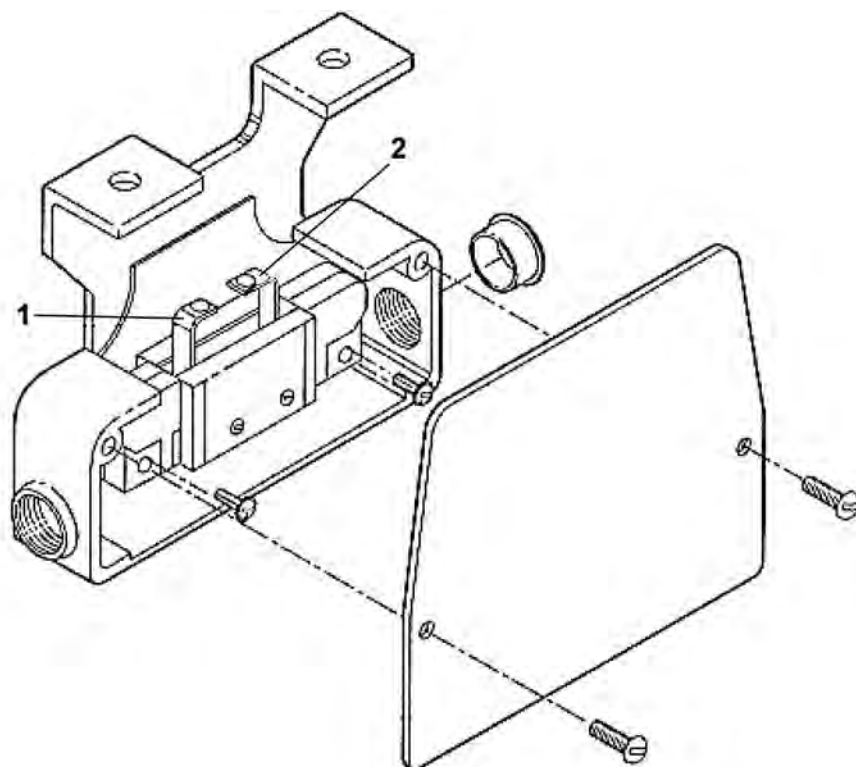
Ref.	Part Number	Description
1	306FM1	Bar, Contact
2	334AN1	Bushing
3	77XP1	Pin
4	456DB1	Roller



Latch Assembly Parts

Switch Assembly Parts

Ref.	Part Number	Description
*	7661C1	Assembly, Interlock Switch
1	152BE9	Contact, Finger, Right Hand
2	152BE10	Contact, Finger, Left Hand



Interlock Switch Assembly Parts

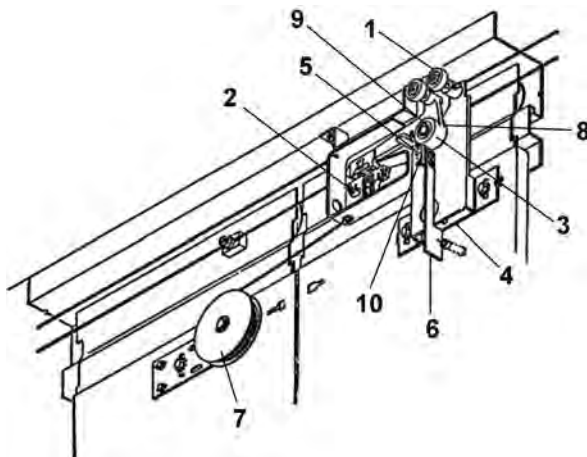
7740A and 7740D – MRVF Interlock

7740A and 7740D Interlock Parts

Part Number	Description
7740A_	Set, Complete Interlock, C/O Doors
7740D_	Set, Complete Interlock, Single-Slide Doors

Special order only. Contact OSC with opening type, size, and hand.

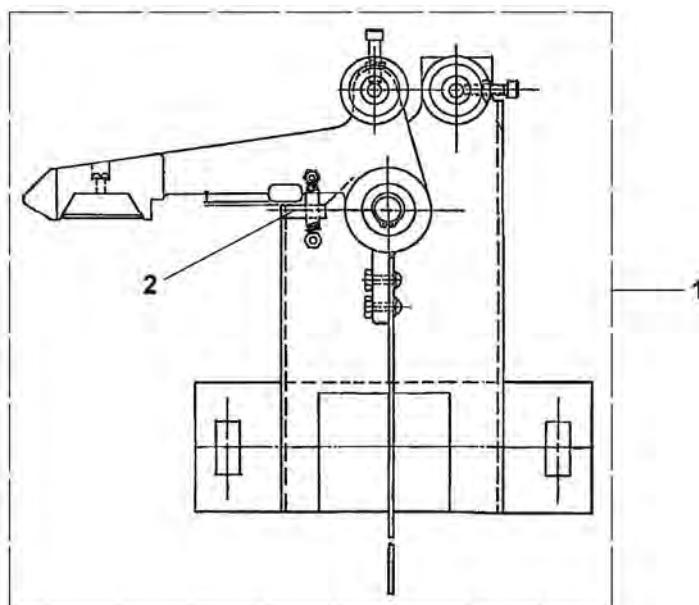
Ref.	Part Number	Description
1	456ES1	Assembly, Roller
2	306FM1	Base, Contact
3	209E1	Bearing, Roller, Solid, Split Outer Race, 1 in. L
4	316DRP1	Bracket, Lock, for C/O Doors—Right Hand
	316DRP3	Bracket, Lock, for 36 in. S/S Doors—Right Hand
	316DRP4	Bracket, Lock, for 36 in. S/S Doors—Left Hand
	316DRP5	Bracket, Lock, for 42 in. S/S Doors—Right Hand
	316DRP6	Bracket, Lock, for 42 in. S/S Doors—Left Hand
5	320DR1	Bumper
6	288SV1	Cam, Unlatching, 8.62 in. L
7	A6940AN2	Closer, Spring
8	331BV1	Latch
9	172DE9	Ring, Snap, Flat, 1 in. Expanded Diameter
10	91AP3	Spring



7740A, D - MRVF Interlock

7740C Door Latch Assemblies & Parts

Ref.	Part Number	Description
	7740C1	Assembly, Latch, w/o Emergency Key Latch, Center-Opening Doors
1	7740C5	Assembly, Latch, w/o Emergency Key Latch, 36 in. Single-Slide Door, Right Hand
	7740C6	Assembly, Latch, w/o Emergency Key Latch, 36 in. Single-Slide Door, Left Hand
	7740C9	Assembly, Latch, w/o Emergency Key Latch, 42 in. Single-Slide Door, Right Hand
	7740C10	Assembly, Latch, w/o Emergency Key Latch, 42 in. Single-Slide Door, Left Hand
2	320DR1	Bumper (on bracket)



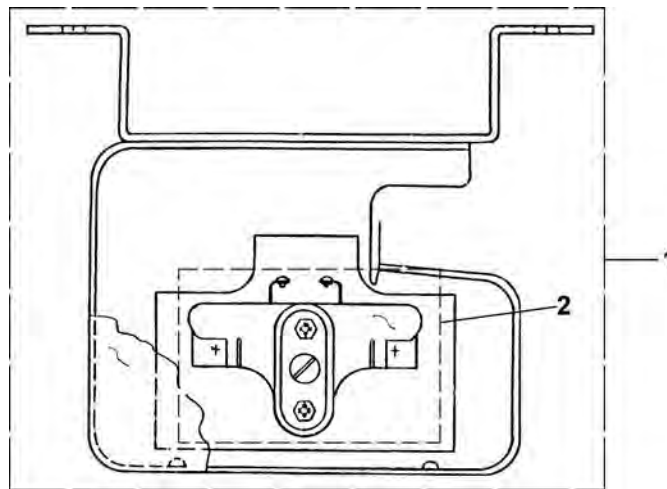
Latch Assembly (right hand shown)

Interlocks

Interlocks

7740B Interlock Switch

Ref.	Part Number	Description
	7740B1	Assembly, Switch, Complete, Right Hand (shown)
1	7740B2	Assembly, Switch, Complete, Left Hand (shown)
2	6940AF3	Assembly, Contact, Complete



Interlock Switch Assembly (right hand shown)

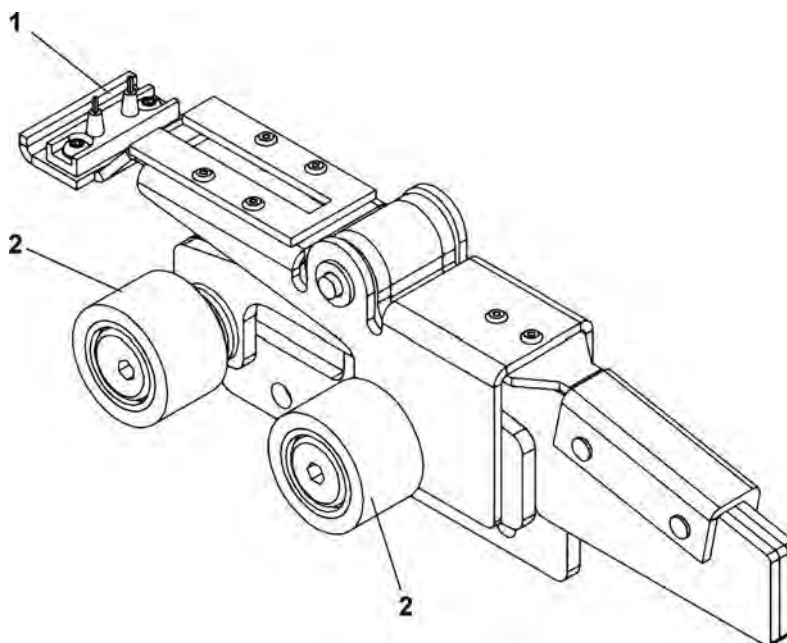
HPLIM Interlock Assembly

Contact Bridge and Roller

Ref.	Part Number	Description
1	AAA661B104	Bridge, Contact
2	FAA456AE1	Roller

Varying vintage spare parts exist, contact OSC if required parts not listed

Contact OSC to order entire new lock set



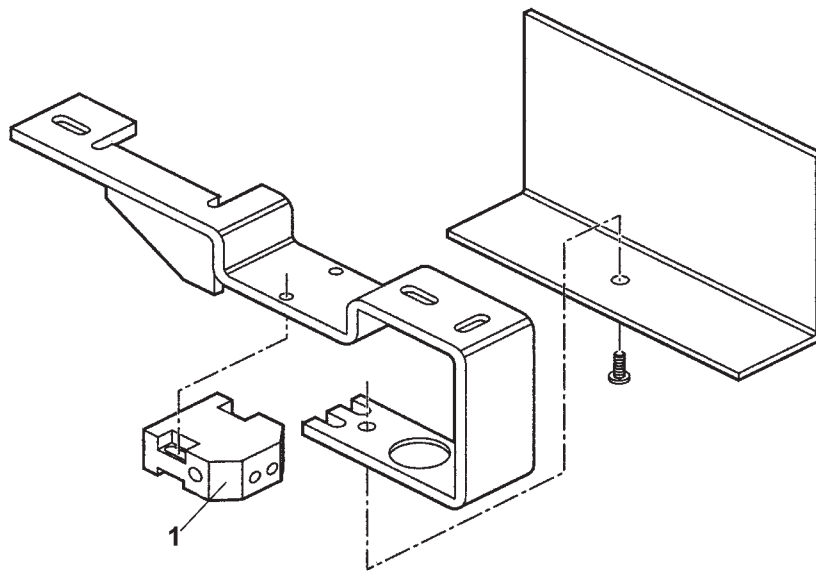
Contact Bridge and Roller

HPLIM Interlock Assembly (continued)

ACA23400E Interlock Switch

Ref.	Part Number	Description
1	AAA661B100	Switch

Contact OSC for spare parts

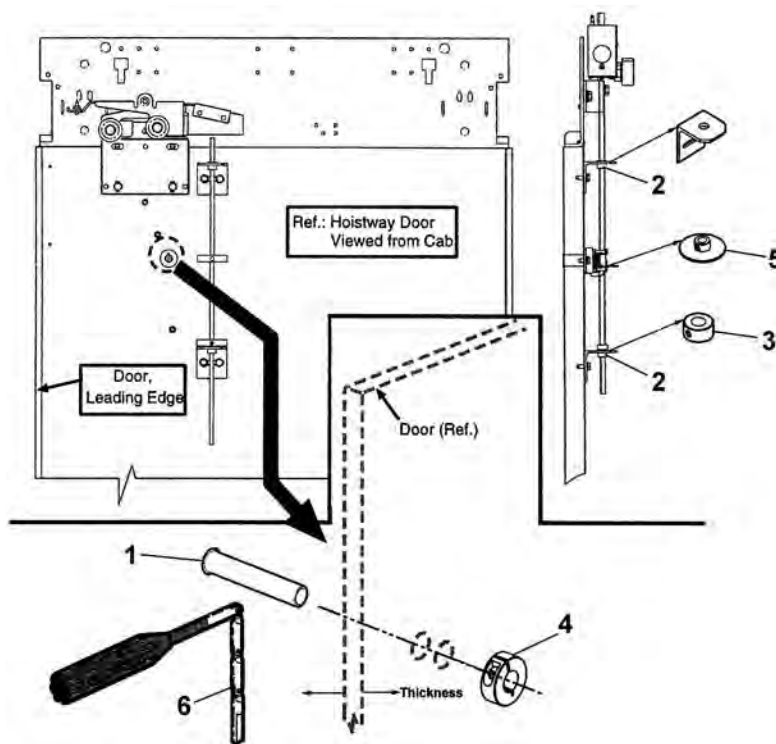


ACA23400E Interlock Switch

Unlocking Assembly w/Standard Unlocking Device

Ref.	Part Number	Description
1	321CV5	Bushing, Brass, 2.0 in. L, w/Standard Key Unlocking
	321CV3	Bushing, Stainless Steel, 2.0 in. L, w/Standard Key Unlocking
2	334BA5	Bushing, Snap
3	AAA340CD2	Collar
4	340BJ2	Collar w/Set Screw
5	AAA340CE1	Collar, Use with 127VB19 and AAA340CD2
6	AAA194AZ1	Key, Unlocking, 2 Links, for Standard Thickness Hoistway Door
	AAA194AZ6	Key, Unlocking, 3 Links (as shown), for Hoistway Door Thickness > 1.25 in. and ≤ 3.25 in.
	AAA194BC1	Key, Special (use with triangular unlocking device)

Contact OSC for parts on the triangle unlocking device.



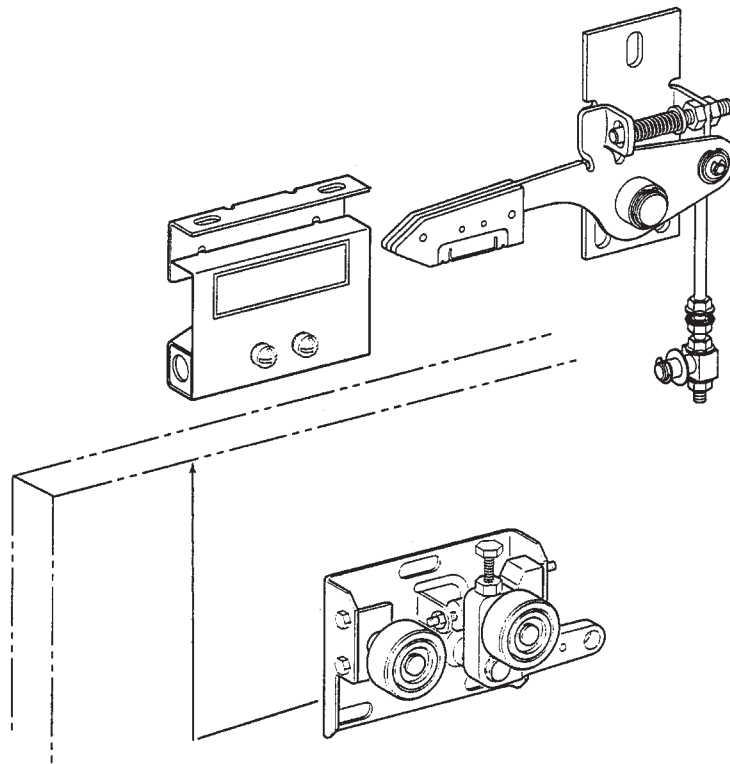
Unlocking Assembly w/Standard Unlocking Device

YX10202A OVL Interlock Assembly

YX10202A Interlock

Part Number	Description	Cab Height	Entrance Height	Interlock Type
DYX10202A1	Assembly, Interlock, Complete (right hand), C/O, S/S, and 2-Speed	8 ft.	7 ft.	II
		9 ft. 7 in.	8 ft.	
		10 ft.	8 ft.	
CYX10202A2	Assembly, Interlock, Complete (right hand), C/O, S/S, and 2-Speed	9 ft. 7 in.	7 ft.	I
		10 ft.	7 ft.	
		8 ft.	7 ft.	
CYX10202A3	Assembly, Interlock, Complete (left hand), S/S and 2-Speed	9 ft. 7 in.	8 ft.	II
		10 ft.	8 ft.	
		9 ft. 7 in.	7 ft.	
CYX10202A4	Assembly, Interlock, Complete (left hand), S/S and 2-Speed	10 ft.	7 ft.	

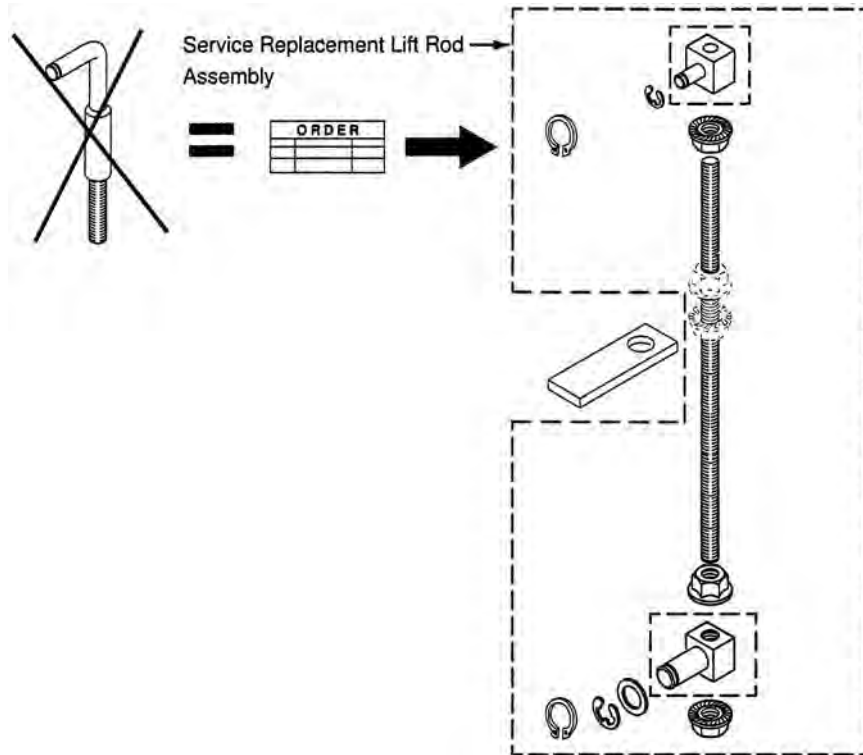
See p. 41 for Type I and II.



Lift Rod Assembly

Type*	Part Number	Description
I	AAB10202F1	Lift Rod Assembly, Complete
II	AAB10202F2	Lift Rod Assembly, Complete

* See page 40 for Types I and II interlocks.

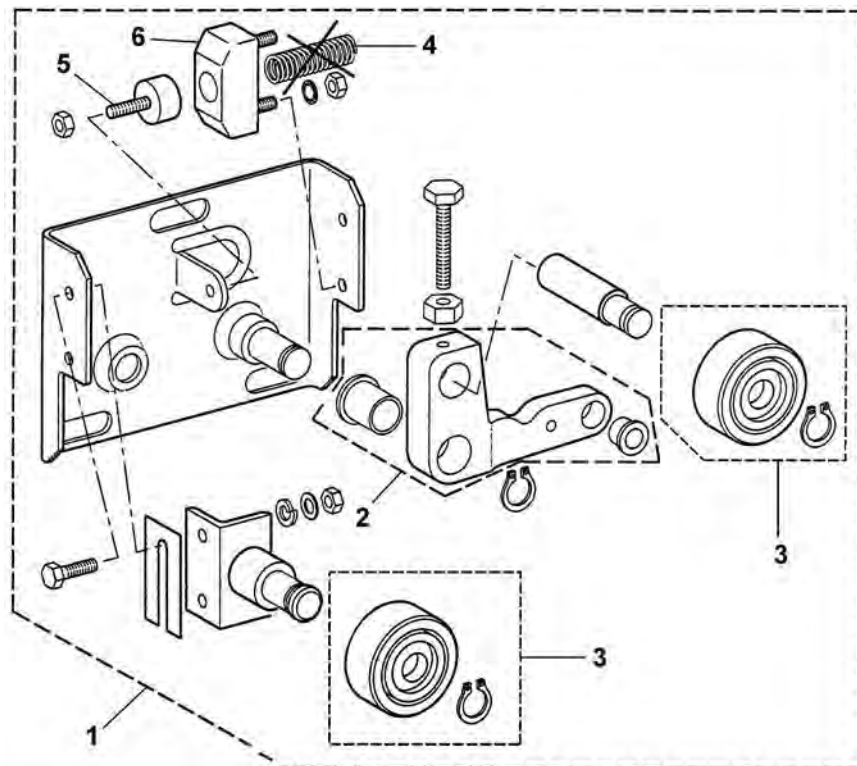


Lift Rod Assembly

YX10202A OVL Interlock Assembly (continued)

Drive Lever Assembly

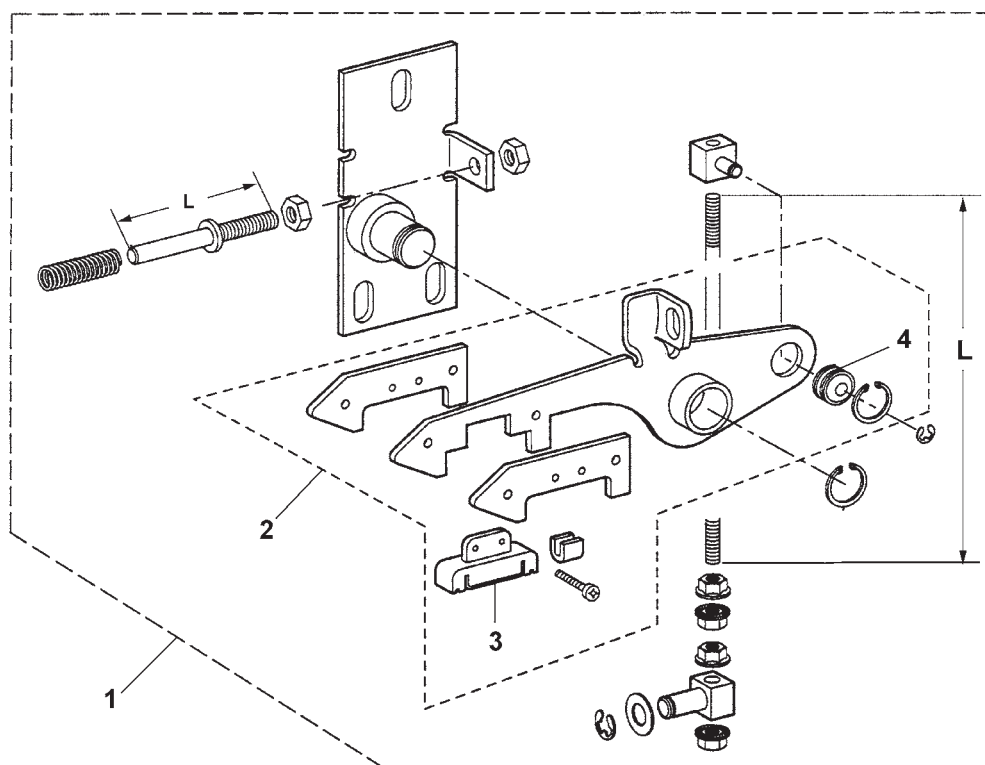
Ref.	Part Number	Description
1	AYY10202B1 AYY10202B2	Assembly, Drive Lever, Complete, Right Hand Assembly, Drive Lever, Complete, Left Hand
2	AAA288ABC3 AAA288ABC4	Lever, Drive, Right Hand Lever, Drive, Left Hand
3	YYJO456BN2	Roller, w/Ring and Bearing
4	*	Spring (replaced w/YYJO320AR2)
5	J0320AS2	Stop, Rubber, 34,0 mm L
6	YYJO320AR2	Stopper, Rubber



Drive Lever Assembly

Door Lock Latch Assembly

Ref.	Part Number	Description
1	CYY10202C1	Assembly, Door Lock Latch, Right Hand, Rod L < 935 mm
	CYY10202C2	Assembly, Door Lock Latch, Left Hand, Rod L < 935 mm
	CYY10202C3	Assembly, Door Lock Latch, Right Hand, Rod L < 630 mm
	CYY10202C4	Assembly, Door Lock Latch, Left Hand, Rod L < 630 mm
2	AYYJO331R1	Assembly, Latch, Right Hand (shown)
	AYYJO331R2	Assembly, Latch, Left Hand
3	YXJO306CL2	Base, Contact
4	YYJO321DH1	Bushing, Spherical

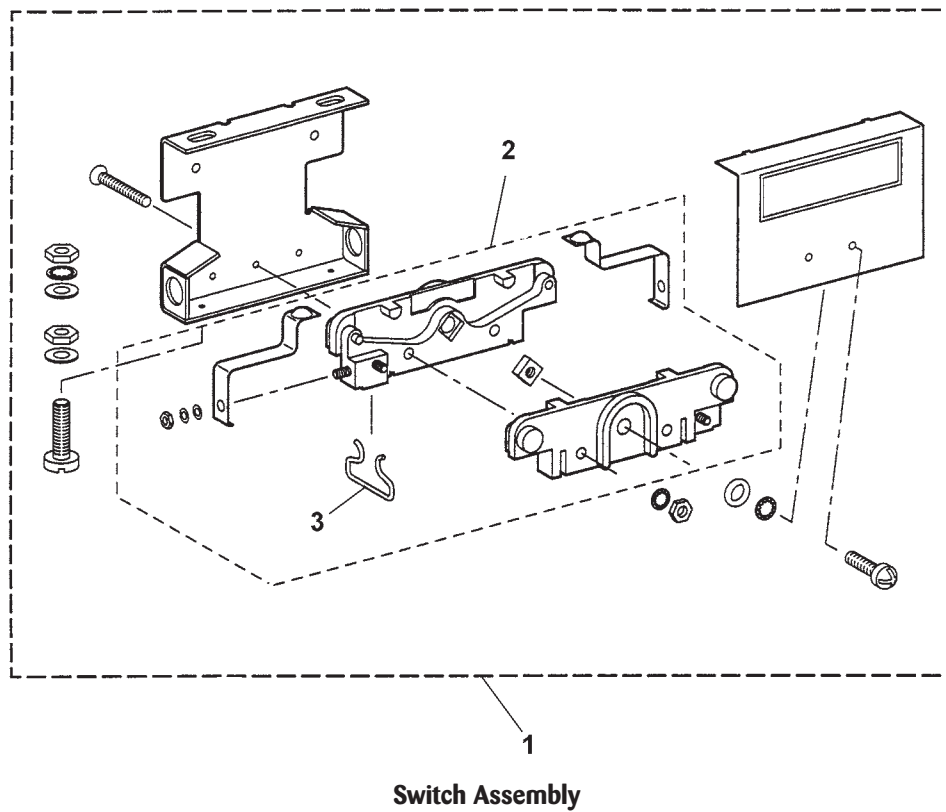


Door Lock Latch Assembly (right hand shown)

YX10202A OVL Interlock Assembly (continued)

Switch Assembly

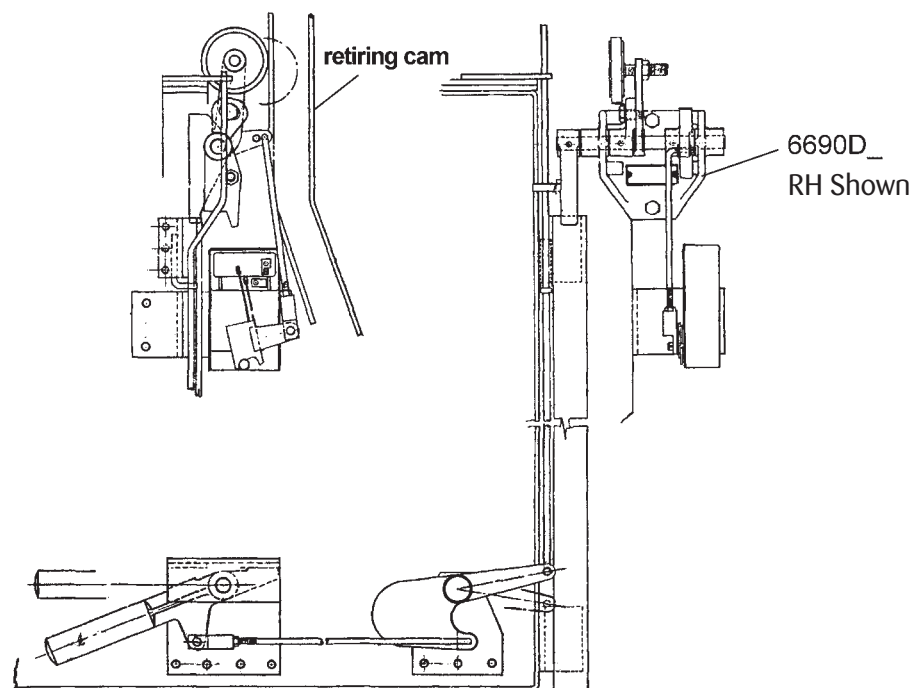
Ref.	Part Number	Description
1	AYY10202D3	Assembly, Complete Switch, Right Hand
	AYY10202D4	Assembly, Complete Switch, Left Hand
2	AYY10202E3	Assembly, Contact (red colored base)
3	339FH1	Clip



Manual and Power-Operated Vertical Bi-Parting Hoistway Doors

6690A Door Lock System

Part Number	Description
6690D1	Lock, Door, Complete, w/o Extension, w/o Lever, Right Hand
6690D2	Lock, Door, Complete, w/o Extension, w/o Lever, Left Hand
6690D3	Lock, Door, Complete, w/Extension, w/o Lever, Right Hand
6690D4	Lock, Door, Complete, w/Extension, w/o Lever, Left Hand
6690D5	Lock, Door, Complete, w/o Extension, w/Lever, Right Hand (shown)
4513D7	Lock, Door and Field Sundries



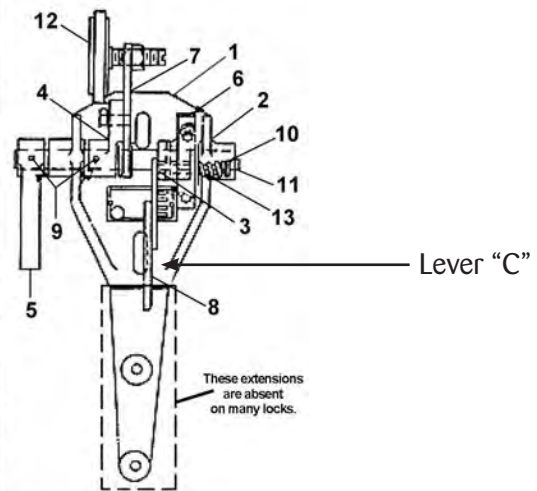
6690A Door Lock

Interlocks

6690D Interlock Component Parts

Ref.	Part Number	Description
*	- - -	Assembly, 6690T, Door Lock, Complete, Type 6690B
1	A316AFG2	Bracket, w/Bushings (w/o extension)
	A316AFG4	Bracket, w/Bushings (w/ extension)
2	335E49	Bushing, Oil-less, 5/8 in. ID, 7/8 in. OD, 1-9/32 in. Long (for brackets)
3	340R10	Collar, 19/32 in. ID, 7/8 in. OD, 1/2 in. Thick
4	397P1	Hub, 5/8 in. Bore
	A288DM1	Lever, 5/8 in. Bore (used with bracket p/n A316AFG2)
5	288GN1	Lever, 5/8 in. Bore (used with bracket p/n A316AFG4)
	A288GM1	Lever, 5/8 in. Bore (used with 5/16 in. diameter pin p/n 96A10)
6	288DR1	Lever, Rod (used with 1/4 in. diameter rod)
	288DR2	Lever (used when Lever "C" is Present)
7	288DP1	Lever, Roller
8	288JK_	Lever "C" (specify length)
9	81AX18	Pin, 3/16 in. Diameter, 1-1/4 in. Long (for hub and levers)
	96A10	Pin, 5/16 in. Diameter, 2-5/8 in. Long
10	77AV5	Pin, Shouldered, 3/8 in. Diameter, 2-3/8 in. Long OA
11	78FA8	Pin, 5/8 in. Diameter, 7-7/8 in. Long
12	A6037D2	Roller, w/ Bearing and Pin
13	90YA15	Spring, Compression

NOTE: For retiring cam operation, locks for manual doors have no roller.

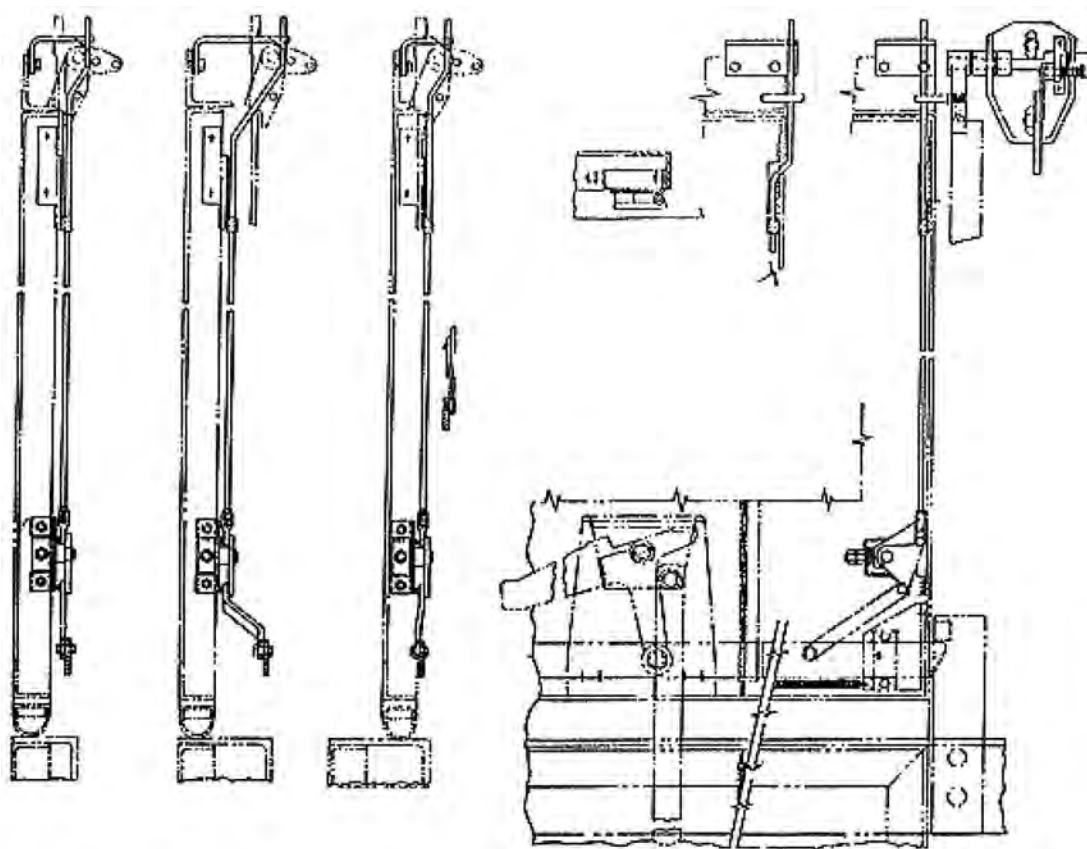


6690A Door Lock RH Shown

6690B Interlocking Device

Part Number	Description
Type 6694AP	Interlocking Device (manual operation only)
Type 6694BG	Interlocking Device

*Contact OSC for spare parts



Interlocks

Interlocks

E6940AP Interlock and Reel Closer Assembly

Type E6940AP Interlock *See E6940AP Interlock illustration on page 49*

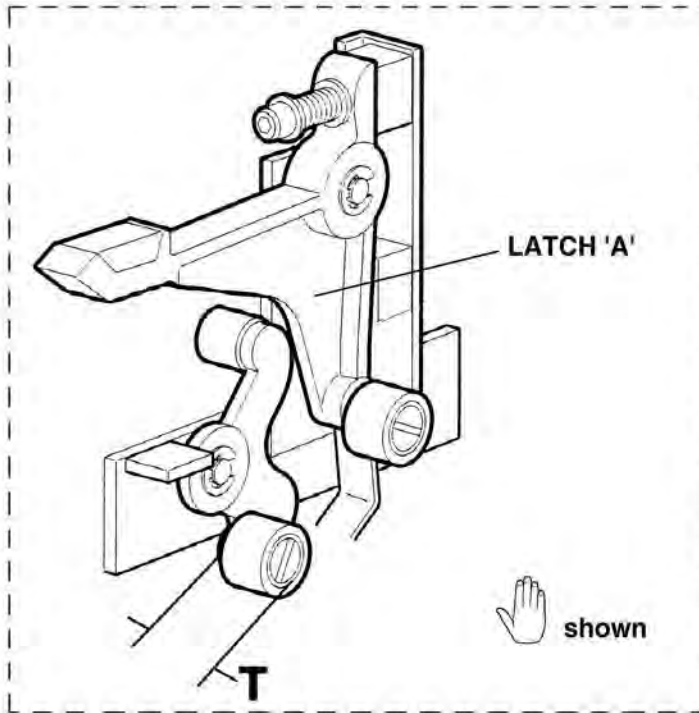
Ref.	Part Number	Description
1	E6940AP2	Assembly, Interlock Right Hand (lock, switch, and reel closer) and Mounting Hardware, Single-Slide and Two-Speed Doors (See note)
1	E6940AP3	Assembly, Interlock Left Hand (lock, switch, and reel closer) and Mounting Hardware, Single-Slide and Two-Speed Doors (See note)
1	E6940AP1	Assembly, Interlock, Right Hand (lock, switch, and reel closer) and Mounting Hardware, Center-Opening Doors (See note)
2	B6940BG1	Interlock, Latch and Switch Box w/Mounting Hardware (without reel closer) -Right Hand (See note)
2	B6940BG2	Interlock, Latch and Switch Box w/Mounting Hardware (without reel closer) -Left Hand (See note)
3	130J11	Lockwasher, Internal/External
4	72DJ2	Nut, Grip 1/2-13
5	AAA306RE1	Plate, Lock Adapter
1	E6940AP4	Assembly, Interlock, (lock, switch, and reel closer) and Mounting Hardware Center-Opening Left Hand (See note)
1	E6940AP5	Assembly, Interlock, (lock with 1/4" shorter pins/rollers) switch and reel closer and Mounting Hardware Center-Opening Right Hand (See note)
1	E6940AP6	Assembly, Interlock, (lock with 1/4" shorter pins/rollers) switch and reel closer and Mounting Hardware Single-Slide Right Hand (See note)
1	E6940AP7	Assembly, Interlock, (lock with 1/4" shorter pins/rollers) switch and reel closer and Mounting Hardware Single-Slide Left Hand (See note)
1	E6940AP8	Assembly, Interlock, (lock with 1/4" shorter pins/rollers) switch and reel closer and Mounting Hardware Center-Opening Left Hand (See note)
2	B6940BG3	Assembly, Interlock, (lock with 1/4" shorter pins/rollers) switch and Mounting Hardware (without reel closer) Right Hand (See note)
2	B6940BG4	Assembly, Interlock, (lock with 1/4" shorter pins/rollers) switch and Mounting Hardware (without reel closer) Left Hand (See note)
7	AAA6940BZ1	Car door mounted 30" long stationary vane assembly to drive RH 6940 interlock
7	AAA6940BZ2	Car door mounted 30" long stationary vane assembly to drive LH 6940 interlock
7	AAA6940BZ3	Car door mounted 12" long stationary vane assembly to drive RH 6940 interlock
7	AAA6940BZ4	Car door mounted 12" long stationary vane assembly to drive LH 6940 interlock
6	316CDT1	Standard Bracket for Mounting 6940 Switch Box to Header HT: 1.00"
6	12-316CDT3	Bracket for Mounting 6940 Switch Box to Header 1.89" HT: 1.89"
6	12-316CDT5	Bracket for Mounting 6940 Switch Box to Header HT: 2.39"
6	12-316CDT7	Bracket for Mounting 6940 Switch Box to Header HT: 2.89"

NOTE: E6940AP version locks with horizontal bolt pattern 7.62 in. apart are used for all modernizations. To replace early 6940 lock setups, also order lock adapter plate AAA306RE1.

Type 6940C Latch Assembly

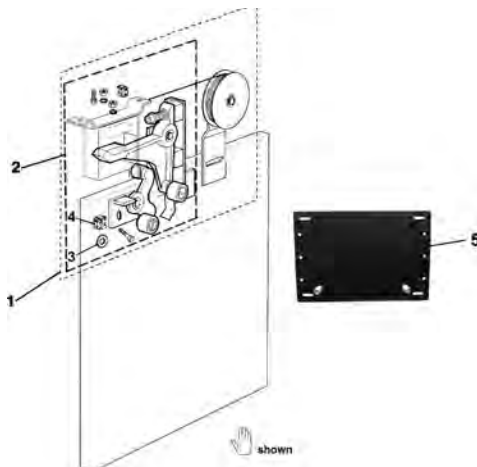
Part Number	Description
B6940C1	Assembly, Door Lock RH (includes latch 'A') T = 1-9/32 in.
B6940C2	Assembly, Door Lock LH (includes latch 'A') T = 1-9/32 in.
B6940C3	Assembly, Door Lock RH(includes latch 'A') T = 1-5/32 in.
B6940C4	Assembly, Door Lock LH (includes latch 'A') T = 1-5/32 in.

For dust/ moisture-proof assemblies, inquire with OSC



Door/Hanger	T (in.)
7060 Type Hangers	1-9/32
7060 Type Hangers	1-9/32
Close-Coupled Doors & Present Day Interlocks	1-5/32
Close-Coupled Doors & Present Day Interlocks	1-5/32

Type 6940C Latch Assembly



Type E6940AP Interlock



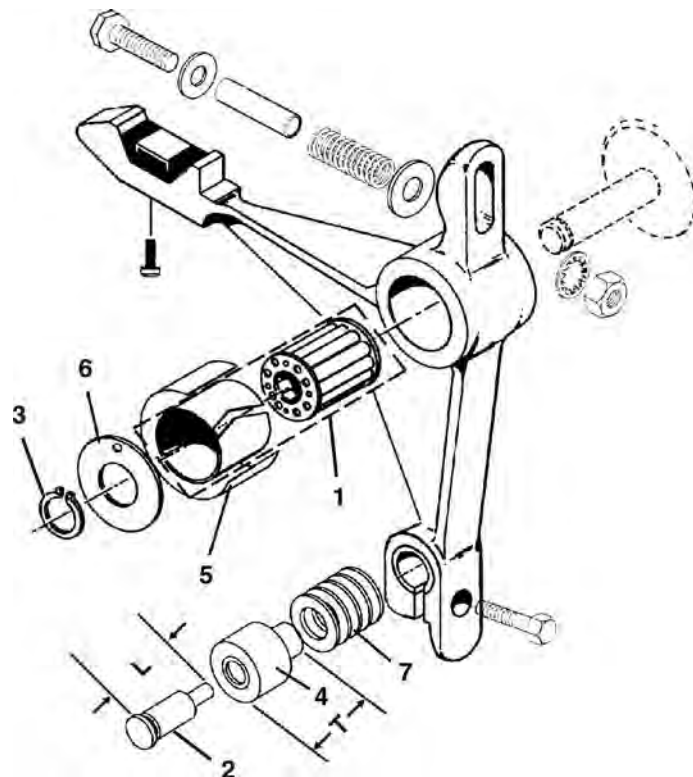
Bracket for mounting 6940

Interlocks

Latch Assembly Component Parts

Ref.	Part Number	Description
1	209E1	Bearing, Solid Roller
	77A2	Pin, 2.22 in. L
2	77A3	Pin, 2.34 in. L
	1-77A1	Pin, Roller (special) 1.97 in. L (used with p/n 1-456C1)
3	172DE9	Ring, Retaining (Truarc) 0.97 in. OD
	456C2	Roller, 1.16 in. L
4	456C3	Roller, 1.28 in. L
	1-456C1	Roller (special) 0.91 in. L (shallow clearance; use with p/n 1-77A1)
5	AAA255GP6	Shim, Brass, 3.55 in. L, 0.001 in. thickness (use for rework only, to prevent excess movement)
6	127VB83	Washer, Special Steel, 0.64 in. ID, 1.5 in. OD w/Hole
7	129DH5	Washer, Special Nylon, 0.40 in. ID, 1.0 in. OD

* Before selecting numerous individual parts for lock repair, consider instead lock rebuild kits (pp. 56-59).

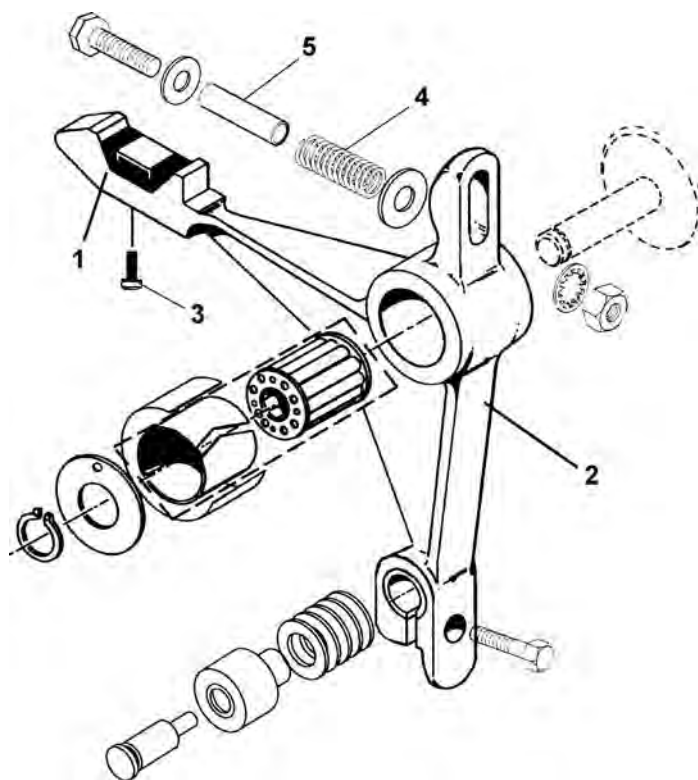


Latch Assembly for Type E6940AP

Latch Assembly Component Parts

Ref.	Part Number	Description
1	306FM1	Base, Contact
2	331AP1	Latch
3	VP-855860	Screw, Sems, 8-32
4	90HB9	Spring, Compression
5	135AA4	Tube, 0.313 in. OD, 1.25 in. L

* Before selecting numerous individual parts for lock repair, consider instead lock rebuild kits (pp. 56-59).



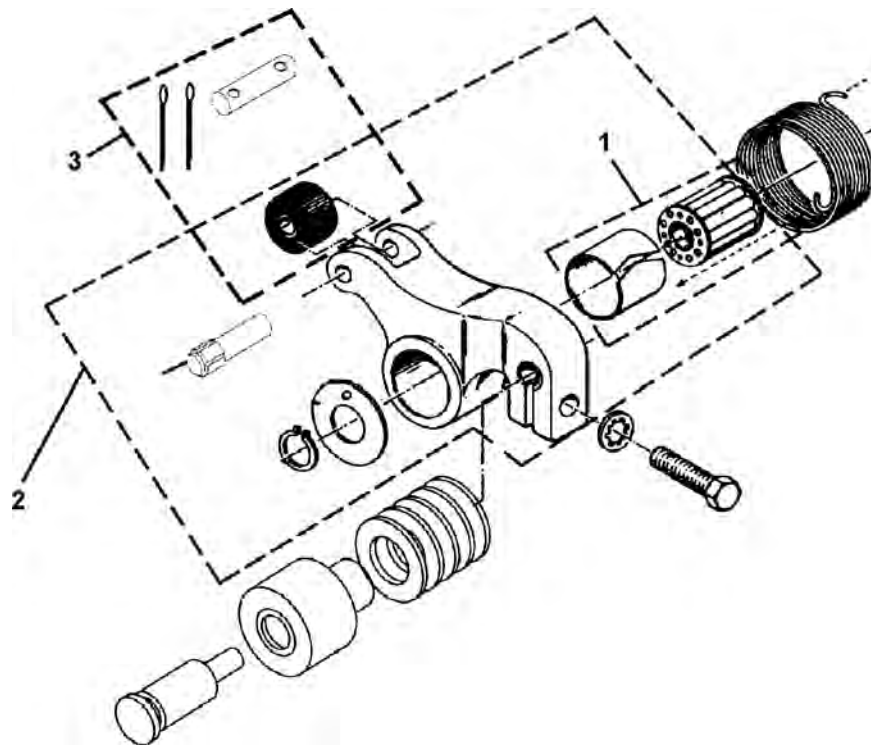
Latch Assembly Parts for Type E6940AP

Interlocks

Bell Crank Assembly

Ref.	Part Number	Description
1	209E1	Bearing, Needle, w/Outer Race
	320AY1	Bumper
*	320P4	Bumper
	2700ABS1	Kit, Bell Crank (for right hand interlock assembly)
2	2700ABS2	Kit, Bell Crank (for left hand interlock assembly)
3	2700AAY3	Kit, Roller, Bell Crank

* Before selecting numerous individual parts for lock repair, consider instead lock rebuild kits (pp. 56-59).

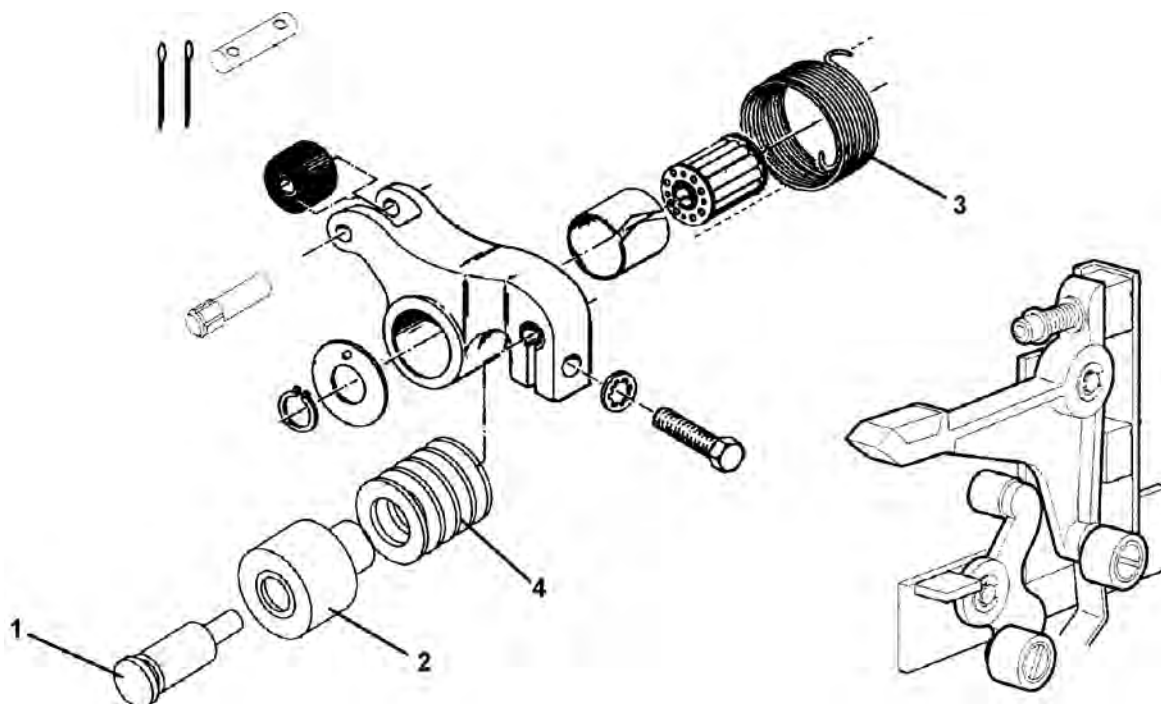


Bell Crank Assembly (right hand shown)

Bell Crank Assembly (continued)

Ref.	Part Number	Description
1	77A3	Pin, Roller, 2-11/32 in. L
	1-77A1	Pin, Roller (special), 1.97 in. L
	456C2	Roller, 1-5/32 in. L (used with close-coupled doors & present applications)
2	456C3	Roller, 1-9/32 in. L (type 7060 hanger applications only)
	1-456C1	Roller (special), 0.91 in. T
	A92AG1	Spring (for right hand interlock assembly)
3	A92AG2	Spring (for left hand interlock assembly)
4	129DH5	Washer, Special Nylon, 0.40 in. ID, 1.0 in. OD

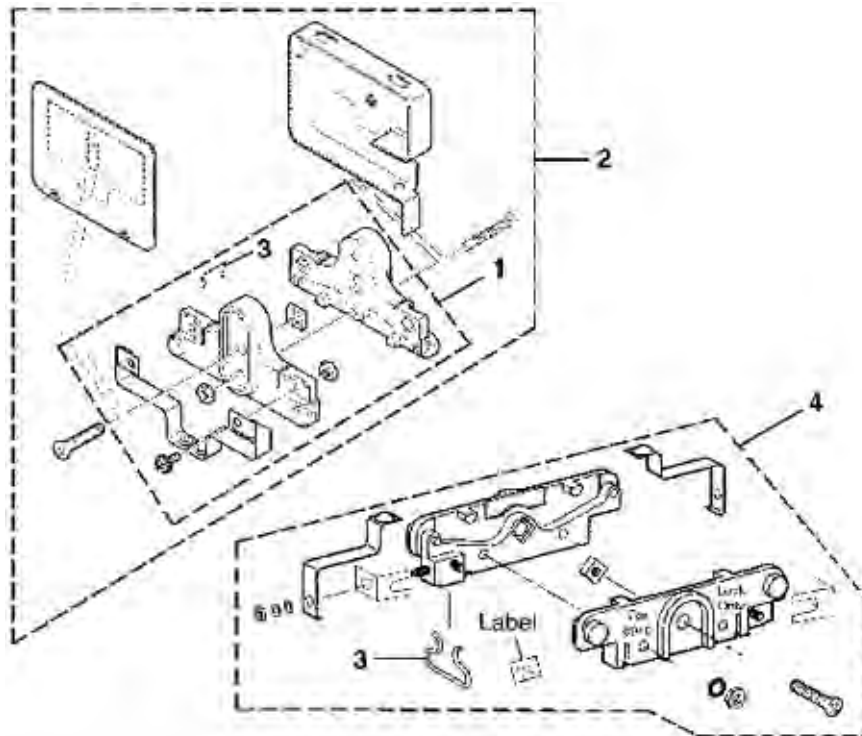
* Before selecting numerous individual parts for lock repair, consider instead lock rebuild kits (pp. 56-59).



Bell Crank Assembly Parts

Switch Box Assembly Type 6940AG & A6940AG (post-1962)

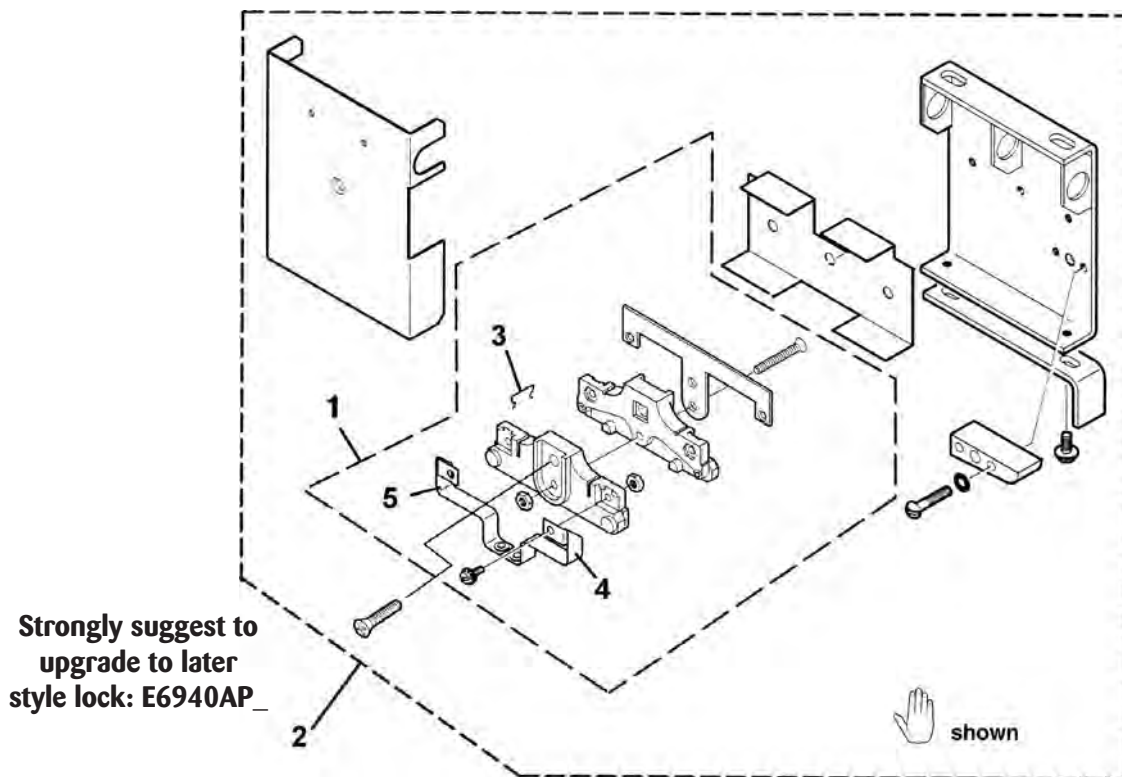
Ref.	Part Number	Description
1	6940AF3	Assembly, Contact, Vertical Hole Mounting in Box (pre-1992 and post-1996 production)
2	6940AG5	Assembly, Switch, Right Hand, w/Box and Cover
	6940AG6	Assembly, Switch, Left Hand, w/Box & Cover
3	339FH1	Clip
4	AYY10202E3	Kit, Contact, Horizontal Hole Mounting, w/Red Colored Base, 1992-1996 Production, OVL Locks Only
	AYY10202E4	Kit, Contact, Horizontal Hole Mounting, w/Red Colored Base, 1992-1996 Production, Type 6940 Locks



Switch Assembly Type 6940AG and A6940AG

Switch Box Assembly Type A6940B (pre-1962 locks)

Ref.	Part Number	Description
1	AAA6940BP1	Assembly, Contact, NOTE: Service replacement for original phenolic base with four moving contacts.
	A6940B1	Assembly, Switch, Right Hand C = 8.94 in.
2	A6940B2	Assembly, Switch, Left Hand C = 8.94 in.
	A6940B3	Assembly, Switch, Right Hand C = 7.38 in.
	A6940B4	Assembly, Switch, Left Hand C = 7.38 in.
3	339FH1	Clip
4	152BE9	Contact, Right Hand
5	152BE10	Contact, Left Hand



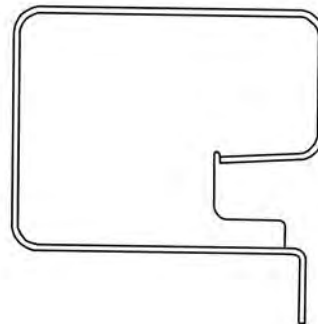
Switch Assembly Type A6940B

6940 Interlock Rebuild Kits

Part Number	Description
B6940C503	Full Service Rebuild Kit, for Vintage 1962 to 1991 and again 1997 to Present



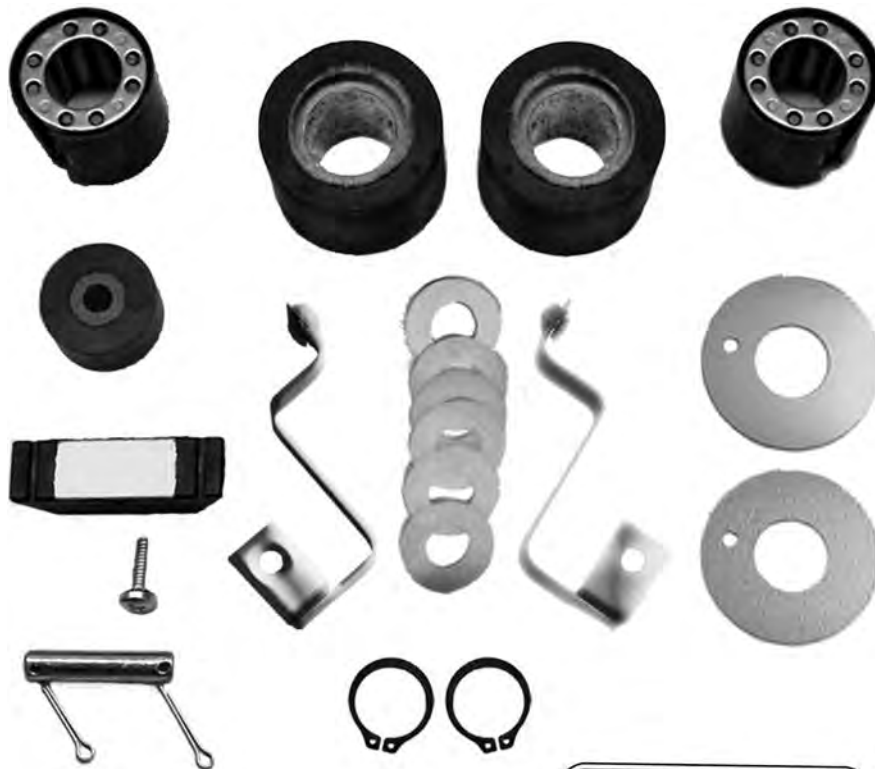
**B6940C503 Rebuild Kit
(for Standard Stamped Steel Switch Box)**



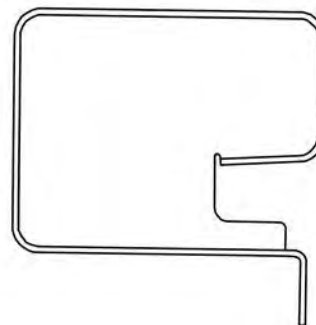
reference only

6940 Interlock Rebuild Kits (continued)

Part Number	Description
B6940C500	Minimum Rebuild Kit for Post 1962 Vintage



**B6940C500 Rebuild Kit
(Standard "Later" Switch Box)**



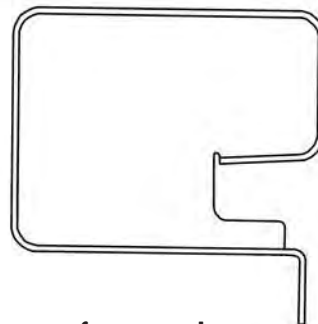
reference only

Interlocks

Part Number	Description
B6940C504	Full Rebuild Kit for Vintages post 1992 through 1996 Only and Includes Unique "Red" Contact Block Assembly



B6940C504 Rebuild Kit
 ("Later" Switch Box but with RED Base)



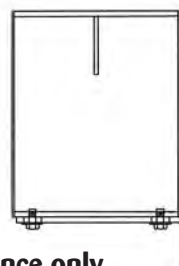
reference only

6940 Interlock Rebuild Kits (continued)

Part Number	Description
B6940C502	Full Service Rebuilt Kit for vintages pre-1962



**B6940C502 Rebuild Kit
("Early" Tall Switch Box)**

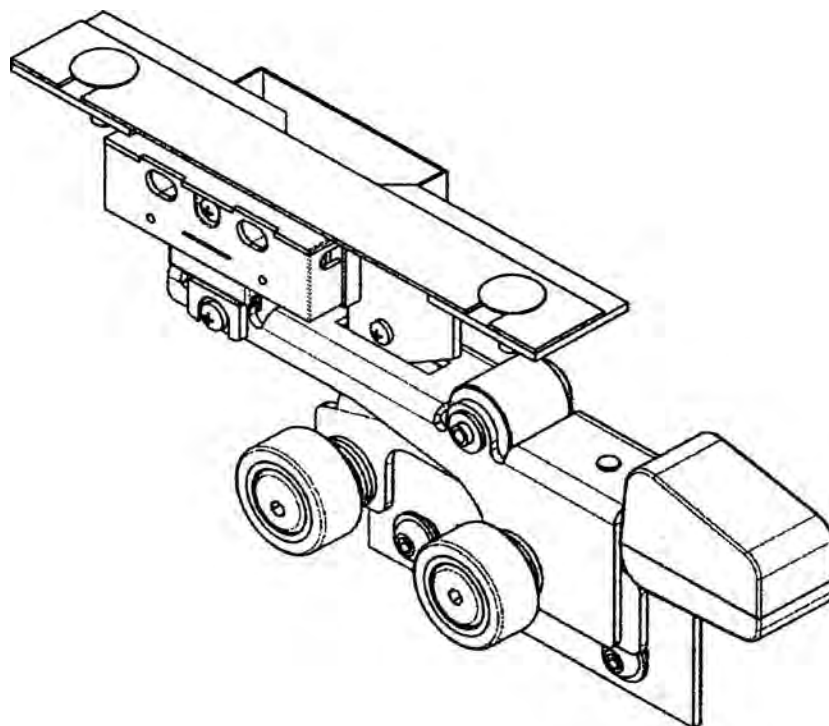


reference only

NG Interlock

Interlock and Interlock Switch

Part Number	Description
AAA23400S1	Assembly, Interlock & Interlock Switch, Right Hand (shown)
AAA23400S2	Assembly, Interlock & Interlock Switch, Left Hand
AAA23400Q1	Assembly, Interlock, Right Hand
AAA23400Q2	Assembly, Interlock, Left Hand
AAA23400R1	Assembly, Switch, Right Hand
AAA23400R2	Assembly, Switch, Left Hand
AAA23400X400	Unlocking Device Kit, 84" Ent.
AAA23400X401	Unlocking Device Kit, 96" Ent.
AAA23400T1	Escutcheon & Hardware Kit

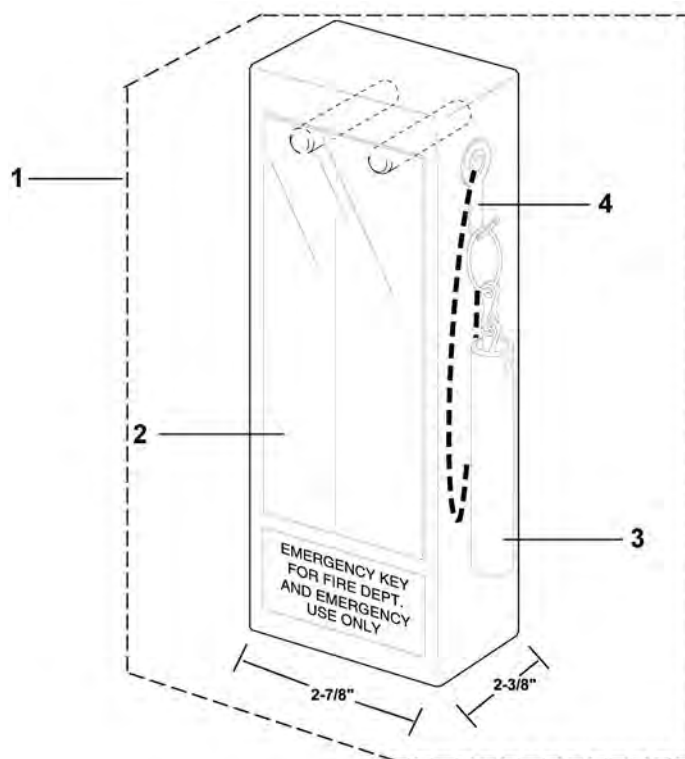


NG Interlock

Unlocking Devices and Keys

Emergency Key Box (for Vertical Biparting Hoistway Door Locks)

Ref.	Part Number	Description
1	A6471A2- <u> </u>	Assembly (shown), Emergency Key Box 2-7/8 in. Wide (specify finish)
2	443J2	Glass, 1-5/8 in. wide, 11-5/16 in. Long, 1/16 in. Thick
3	387B1- <u> </u>	Hammer, with Chain and Ring (specify finish)
4	509D1- <u> </u>	Hook (specify finish)
*	194D2	Key, Emergency, 10-1/2 in. Long (see page 68)

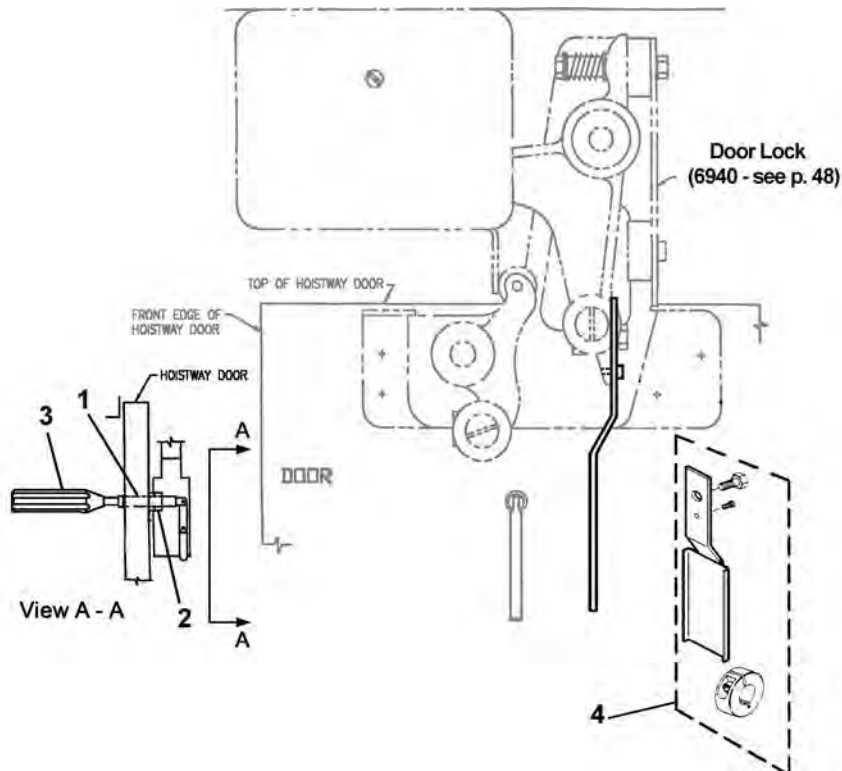


Emergency Key Box

Unlocking Devices and Keys (continued)

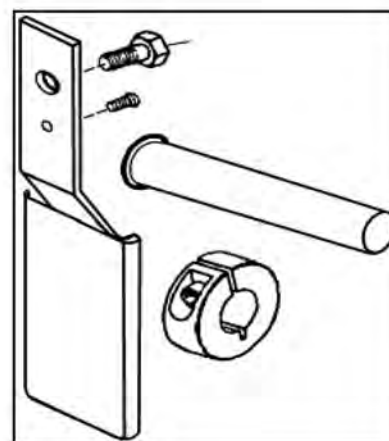
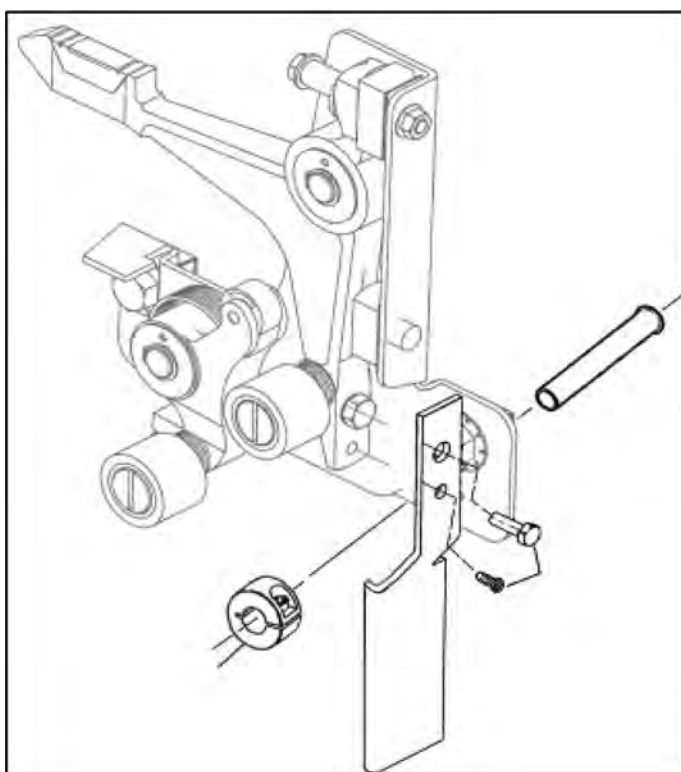
Ref.	Part Number	Description
1*	321CV5	Escutcheon, Brass, 2.0 in L
	321CV3	Escutcheon, Stainless Steel, 2.0 in L
2*	340BJ2	Collar, Clamp
	AAA340CW1	Uni-Clamp NOTE: If replacing 340BJ2 with uni-clamp, order washer VP-904964.
3	AAA194AZ1	Key, Emergency (double knuckle for standard doors)
	AAA194AZ6	Key, Emergency (triple knuckle for doors thicker than 1.25 in.)
4	AAA288ZU2	Kit, Unlocking Lever, with (1) Lever, (1) Collar Clamp, (1) 1/4-20 x 0.625 in. L Thread-Rolling Screw, and (1) 8-32-3/8 Phillips Pan Head Thread-Cutting Screw

* See page 69.



Unlocking Kits

Part Number	Description
AAA6940CC400	Unlocking Paddle Kit, for Standard Door Height, with 2 in. L Stainless Steel Escutcheon Tube
AAA6940CC401	Unlocking Paddle Kit, for Standard Door Height, with 2 in. L Brass Escutcheon Tube



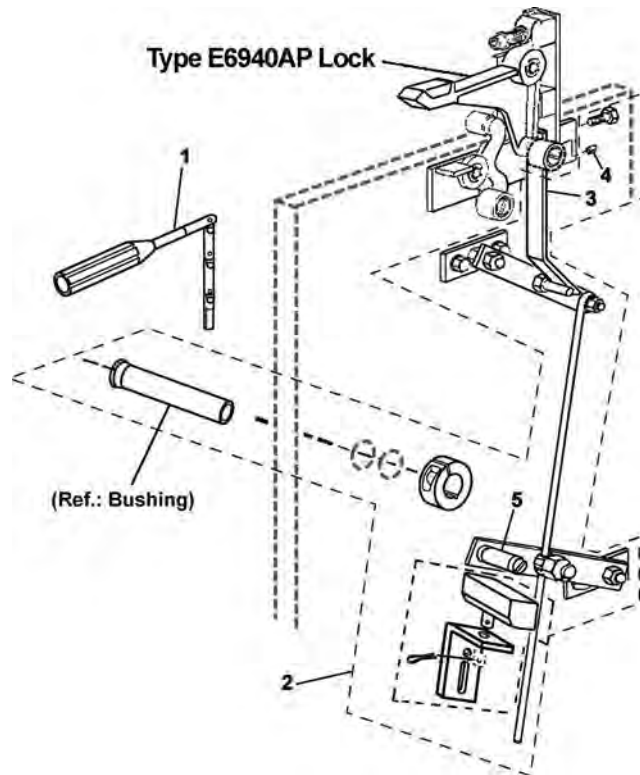
Unlocking Kit Contents

AAA6940CA Emergency Key & Transmission Device

Ref.	Part Number	Description
1*	AAA194AZ1	Key, Emergency, with Two Links (for standard 1.25 in. door thickness)
	AAA194AZ6	Key, Emergency, with Three Links (for door thickness greater than 1.25 in. and less than & equal to 3.25 in.)
2**	AAA6940CA4	Kit, Unlocking Device with 2.0 in. L Stainless Steel Bushing
	AAA6940CA5	Kit, Unlocking Device with 2.0 in. L Brass Bushing
	AAA6940CA6	Kit, Unlocking Device with 4.0 in. L Stainless Steel Bushing
	AAA6940CA7	Kit, Unlocking Device with 4.0 in. L Brass Bushing

* See page 68.

** Each is used for tall 8 ft. to 9 ft. entrances.

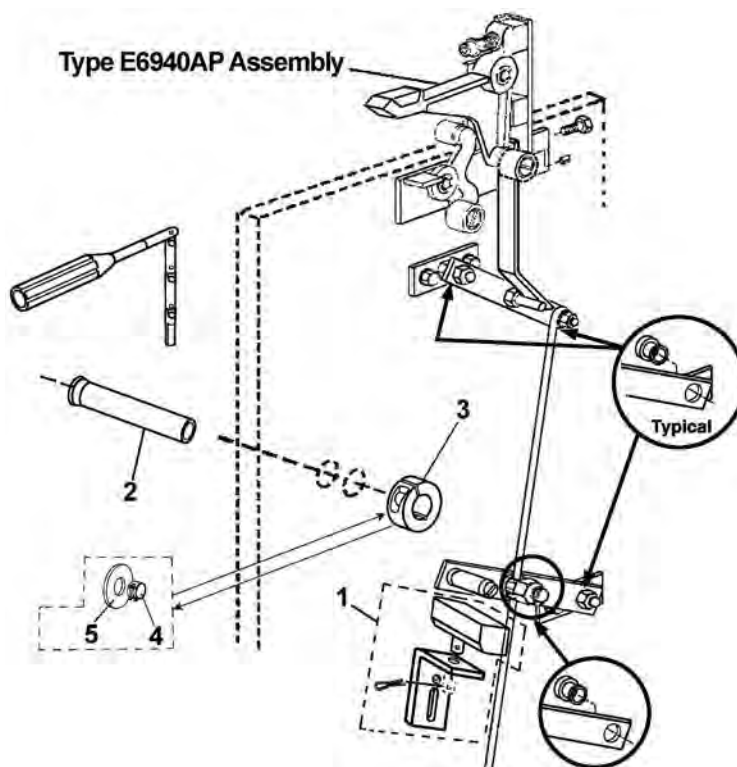


AAA6940CA Emergency Key and Transmission Device

AAA6940CA Emergency Keys & Transmission Device (continued)

Ref.	Part Number	Description
1	316CTE2	Assembly, Bumper
	321CV5	Bushing, Guide, Brass, 2.0 in. L
2*	321CV6	Bushing, Guide, Brass, 4.0 in. L
	321CV4	Bushing, Guide, Stainless Steel, 4.0 in. L
	321CV3	Bushing, Guide, Stainless Steel, 2.0 in. L
3*	340BJ2	Collar, Clamp
4*	AAA340CW1	Uni-Clamp NOTE: If replacing 340BJ2 with uni-clamp, you must also order VP-904964.
5	VP-904964	Washer, M12 Plain (used with uni-clamp)

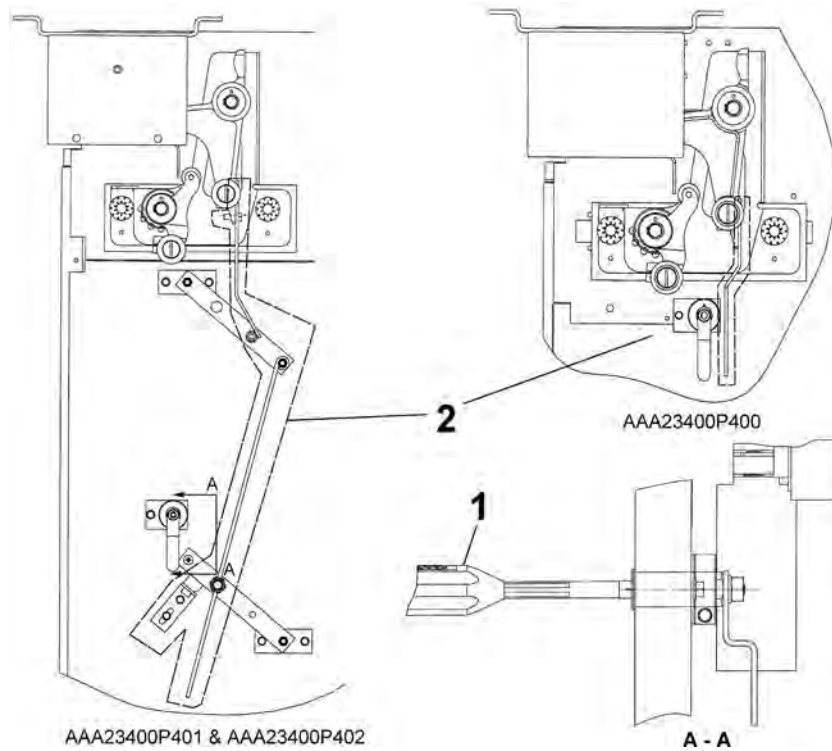
* See page 69.



Hoistway Access Device (Gen2)

Ref.	Part Number	Description
1*	AAA194BN1	Key, Unlocking
2	AAA23400P400	Kit, Unlocking Lever and Mounting Hardware, 84 in. (2134 mm) Entrance Height
	AAA23400P401	Kit, Unlocking Lever, Linkage and Mounting Hardware, 96 in. (2438 mm) Entrance Height
	AAA23400P402	Kit, Unlocking Lever, Linkage and Mounting Hardware, >96 in. (>2438 mm) Entrance Height

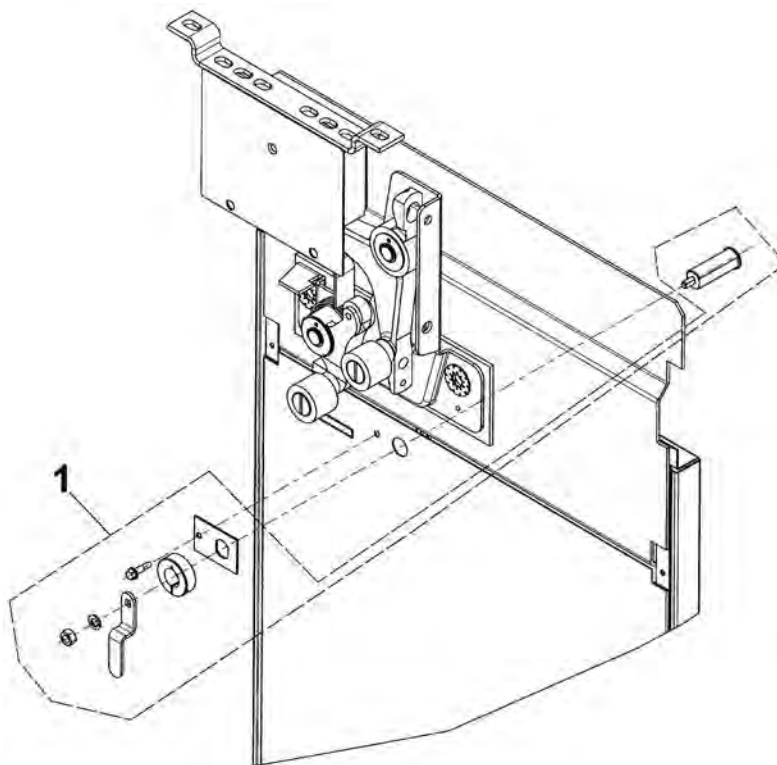
* See page 69.



Hoistway Access Device (Gen2)

Hoistway Access Device (Gen2)

Ref.	Part Number	Description
1	AAA23400P1	Assembly, Access Device (escutcheon tube & hardware), Satin Brass Finish
	AAA23400P2	Assembly, Access Device (escutcheon tube & hardware), Satin Stainless Steel Finish



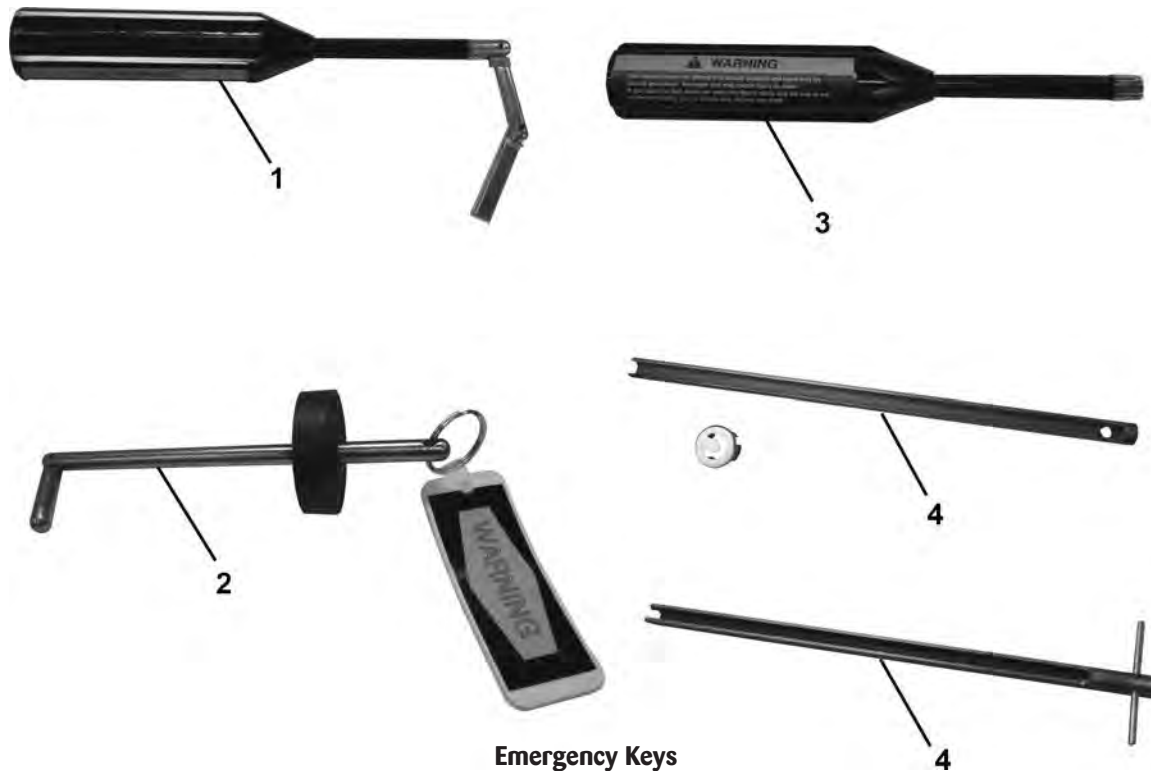
Type AAA23400P Access Device Assembly

Interlocks

Emergency Keys

Ref.	Part Number	Description
1	AAA194AZ1	Key, Emergency, Double Knuckle, Flexible
*	AAA194AZ6	Key, Emergency, Triple Knuckle, Flexible
2	194AD8	Key, Emergency, 7.12 in. L, Complete w/Bumper
	194AD6	Key, Emergency, 4.32 in L, Complete w/Bumper (close coupled doors)
3	AAA194BN1	Key, Access, for 6940AP Interlocks in MA, MN and CA (also used on Gen2)
*	AAA194BC1	Key, Special, Triangular Unlocking Device on HPLIM
	194B2	Key, Emergency (lunar type), 1/4 in. Steel Tubing, 5 in. Long (located in swing doors)
4	194C2	Key, Emergency (lunar type), 1/4 in. Steel Tubing, 6 in. Long (located in swing doors)
	194D2	Key, Emergency (lunar type), 7/16 in. Steel Tubing, 10-1/2 in. Long (located in wall, with slide doors)

* Parts not shown.



Emergency Keys

Escutcheon Tubes and Collars

Ref.	Part Number	Description
1	321CV1	Escutcheon Tube, Stainless Steel, 2.75 in. L
	321CV2	Escutcheon Tube, Stainless Steel, 1.53 in. L
	321CV3	Escutcheon Tube, Stainless Steel, 2 in. L
	321CV4	Escutcheon Tube, Stainless Steel, 4 in. L
	321CV5	Escutcheon Tube, Brass, 2 in. L
	321CV6	Escutcheon Tube, Brass, 4 in. L
2	386TZ1-3	Escutcheon Tube, for Lunar Key, Stainless Steel
3	340BJ2	Collar (used with 321CV tubes)
4	AAA340CW1	Uni-Clamp - Use in Place of 340BJ2 Collar (also order washer VP-904964)



Escutcheon Tubes and Collars

Notes