



# Door Systems

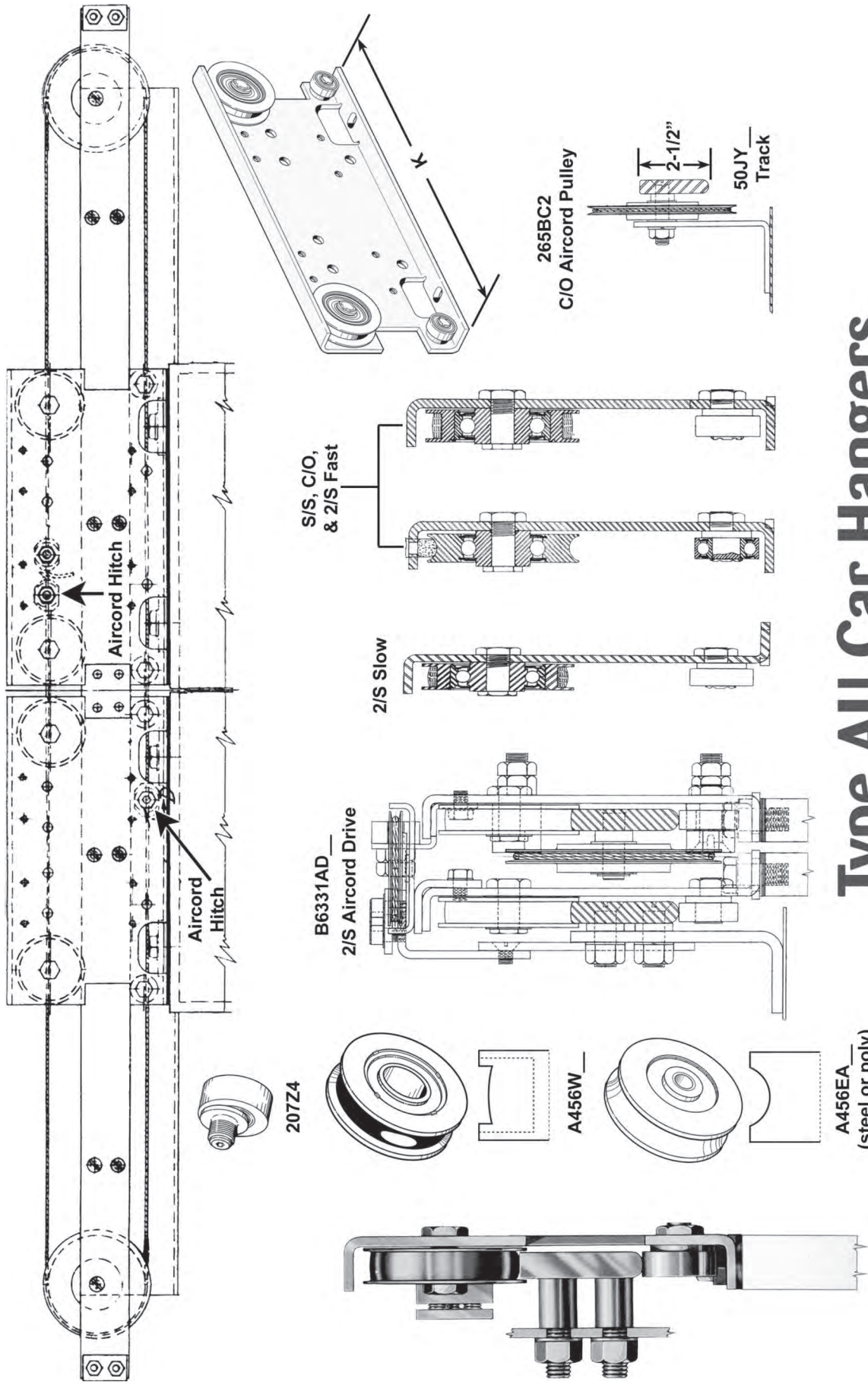
[csemailorders@otis.com](mailto:csemailorders@otis.com)

# Table of Contents

## OTIS TRACK & HANGER SYSTEMS

Illustration Index - Otis Door Systems . . . . .	2
7662A Hanger & Track Spare Parts (Center Opening Doors) . . . . .	11
7662C Hanger & Track Spare Parts (2-Speed Doors) . . . . .	12
7662D Hanger & Track Spare Parts (Single Slide Doors) . . . . .	13
Door Hangers & Track Systems . . . . .	14
Single Side Slide Hall Track and Hanger Sets - Mod Upgrade . . . . .	20
Two Speed Hall Track and Hanger Sets - Mod Upgrade . . . . .	21
Center Opening Hall Track and Hanger Sets - Mod Upgrade . . . . .	22
Single Side Slide Car Track and Hanger Sets - Mod Upgrade . . . . .	23
Two Speed Car Track and Hanger Sets - Mod Upgrade . . . . .	24
Center Opening Car Track and Hanger Sets - Mod Upgrade . . . . .	25
Sight Guard Shapes, Plastic (see also Appendix A) . . . . .	26
Closers: Spring/Arm, Traveling weight, Reel . . . . .	30
Hoistway & Car Hanger Rollers - Various Door Rollers. . . . .	33
Sliding Guide Gibs & Door Gibs . . . . .	42
Headers, Hangers & Tracks (Flyer) . . . . .	43
Door Panels Replacement (Flyer) . . . . .	44
Door Panel Survey (Flyer) . . . . .	45
Folding Door Restrictor (Flyer) . . . . .	46
Folding Door Restrictor Field Survey (Flyer) . . . . .	47
Otis Sills and Thresholds (Flyer) . . . . .	48
Appendix A - Astragals, Sightguards & Bumpers. . . . .	49
Appendix B - Door Bott. Guides, Gibs, & Bumpers. . . . .	50
Appendix C - Door Closer Related Parts . . . . .	51
Appendix D - Otis Door Rollers . . . . .	52
Appendix E - Mod Tracks & Hanger Spare Parts . . . . .	53

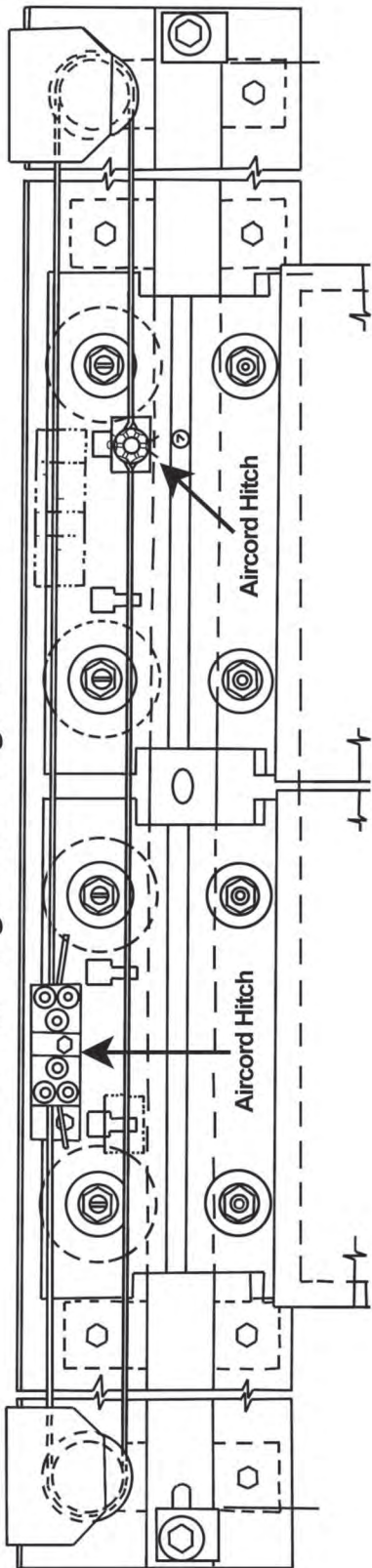
Door Systems: Car & Hoistway Hangers



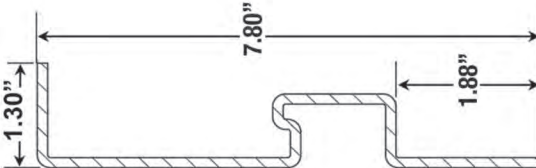
**Type AU Car Hangers**  
(1958 thru 1976)



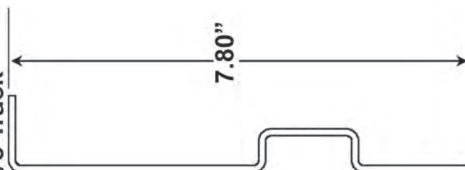
Offset Integral Car Hangers



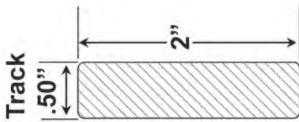
AAA483XB998  
Car Header



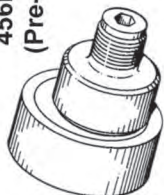
AAA50ATN  
Car Header  
w/o Track



50ADF1  
Track



456CP  
456EK  
(Pre-2000)

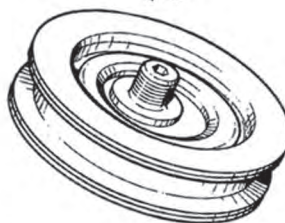


AAA456XZ5  
(2000-Pres.)

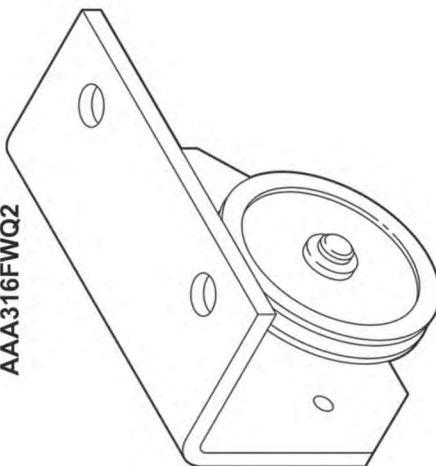


456EW1

AAA456YA3  
(2000-Pres.)



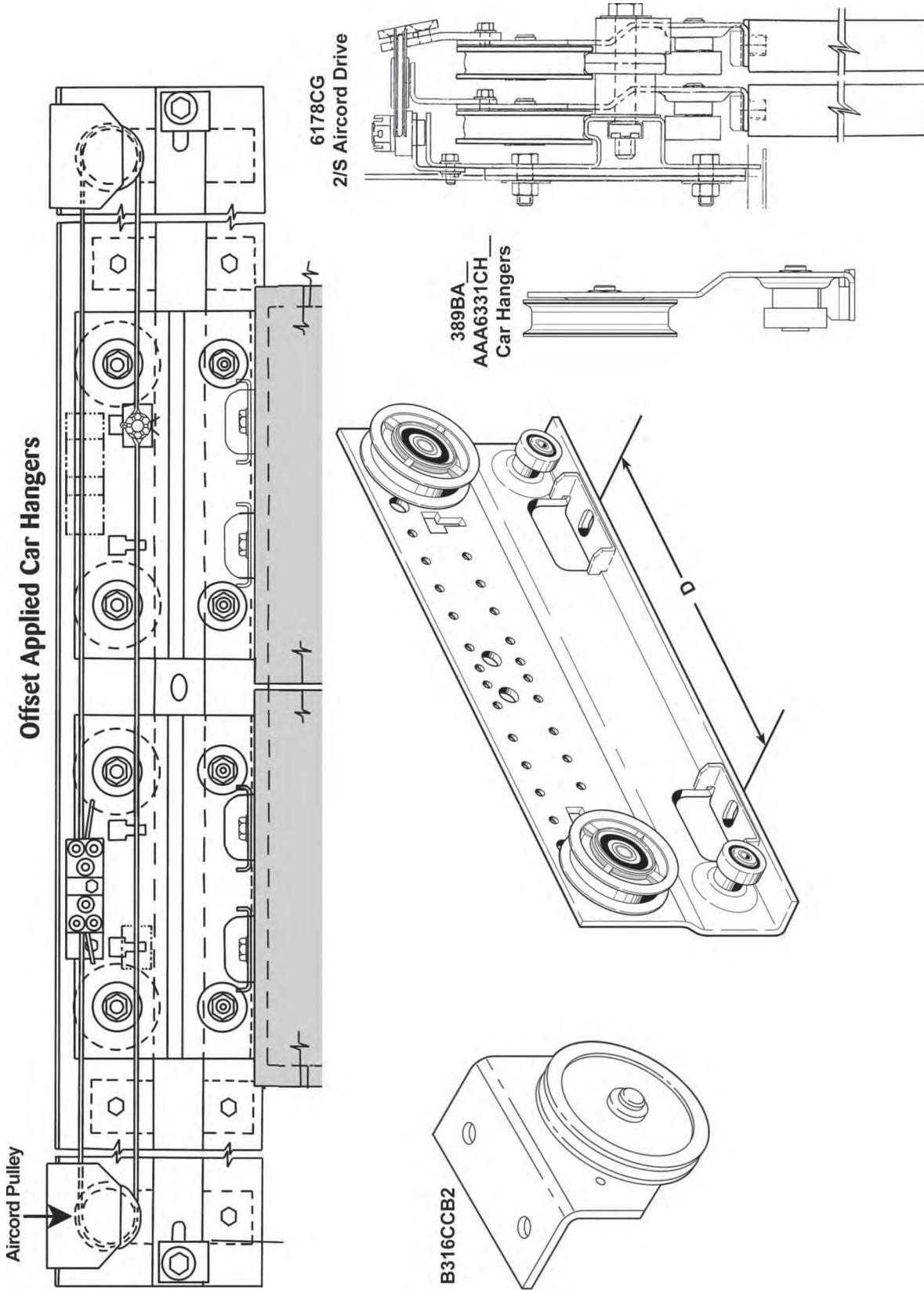
AAA316FWQ2



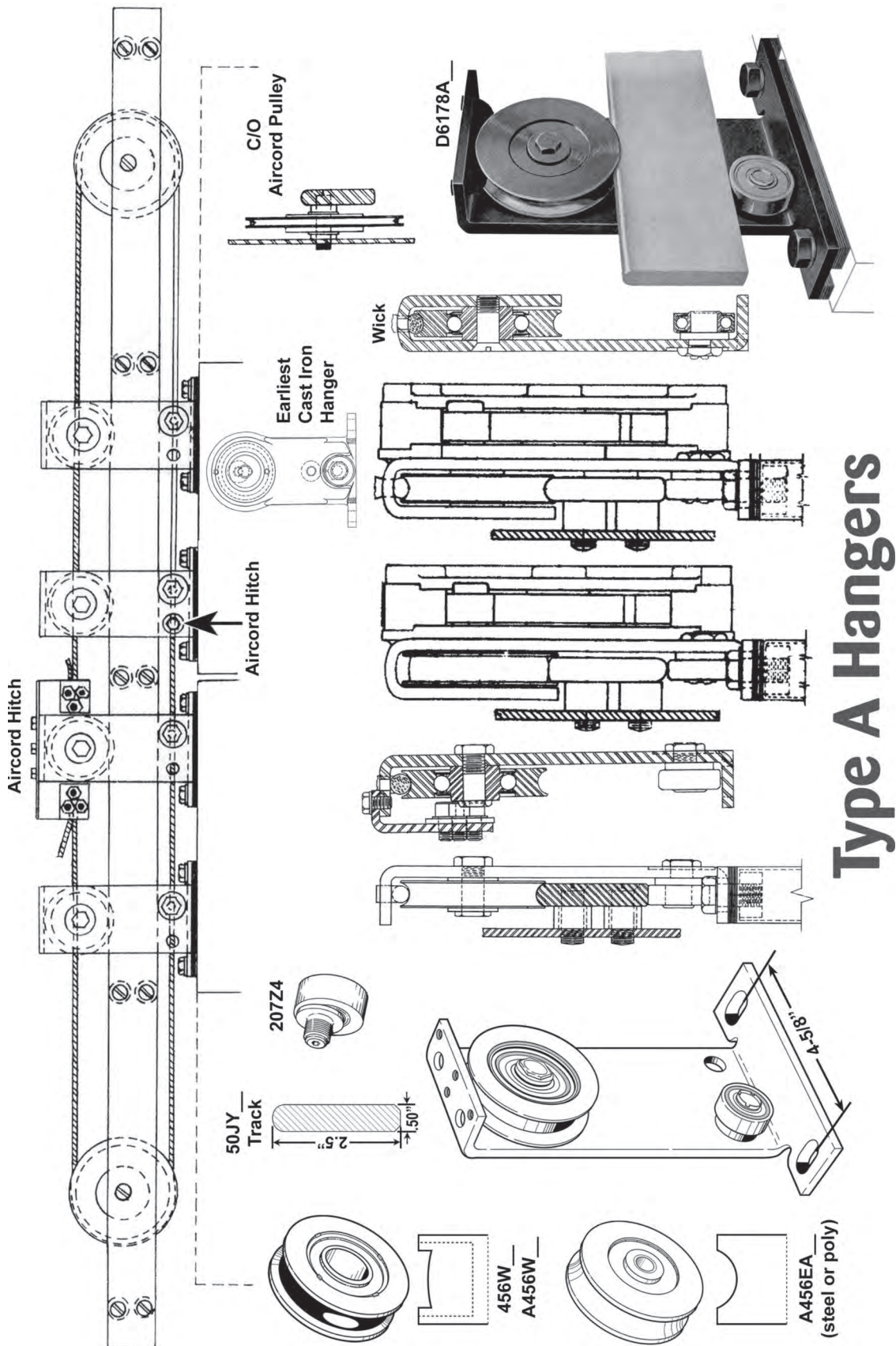
Offset Integral Car Hangers (1977-2003)

Door Systems: Car & Hoistway Hangers

Offset Applied Car Hangers

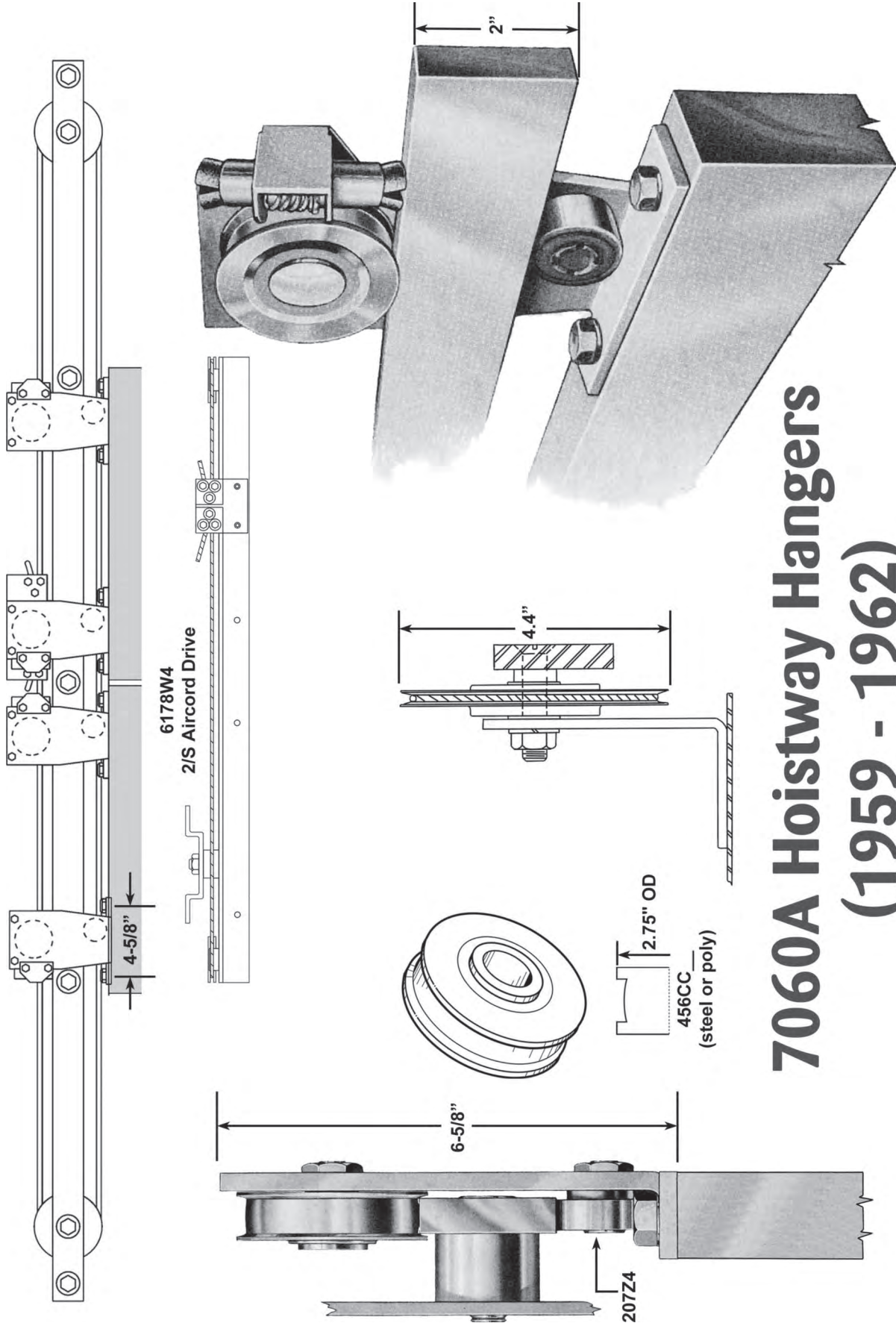


Offset Applied Car Hangers (1977-2003)

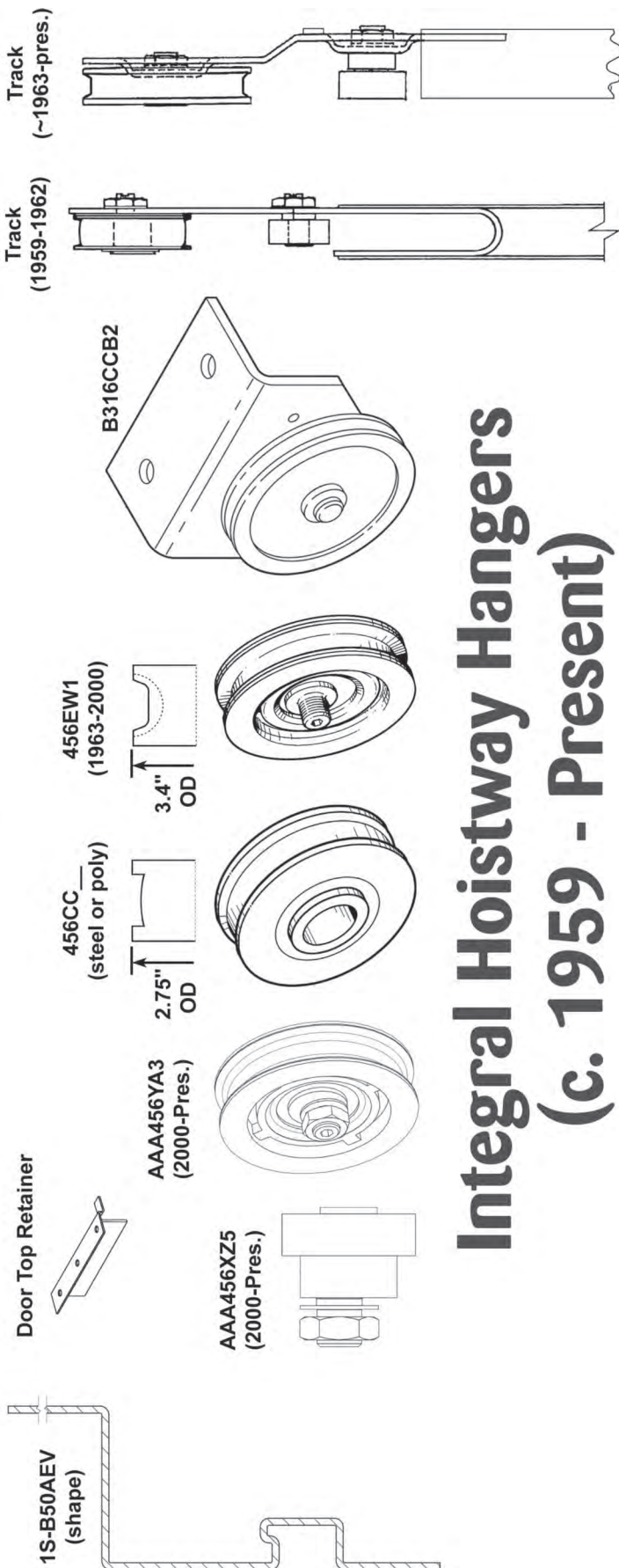
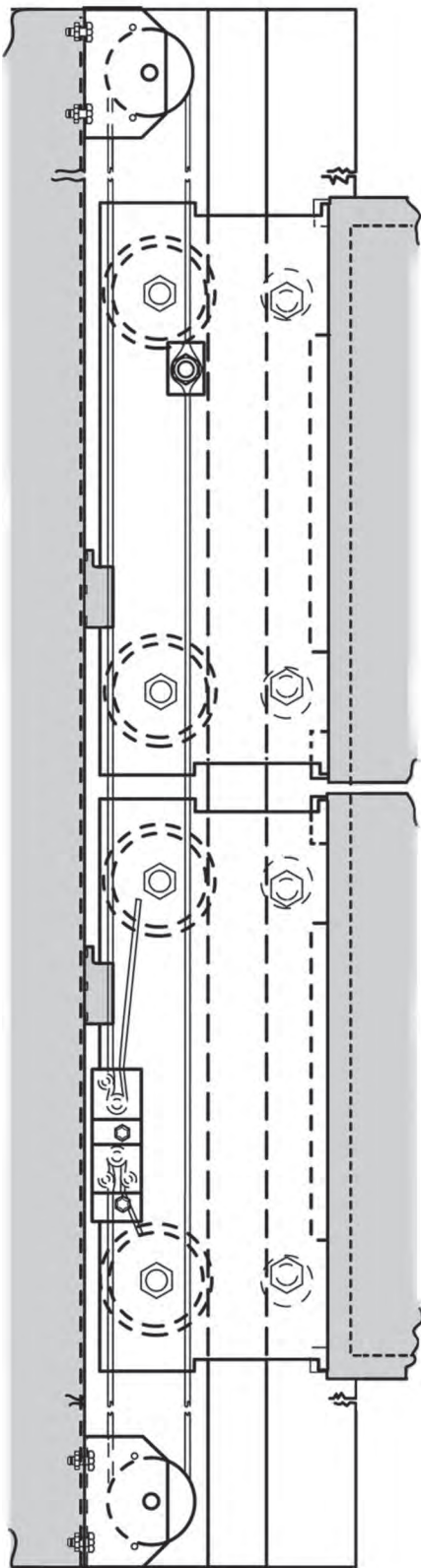


# Type A Hangers



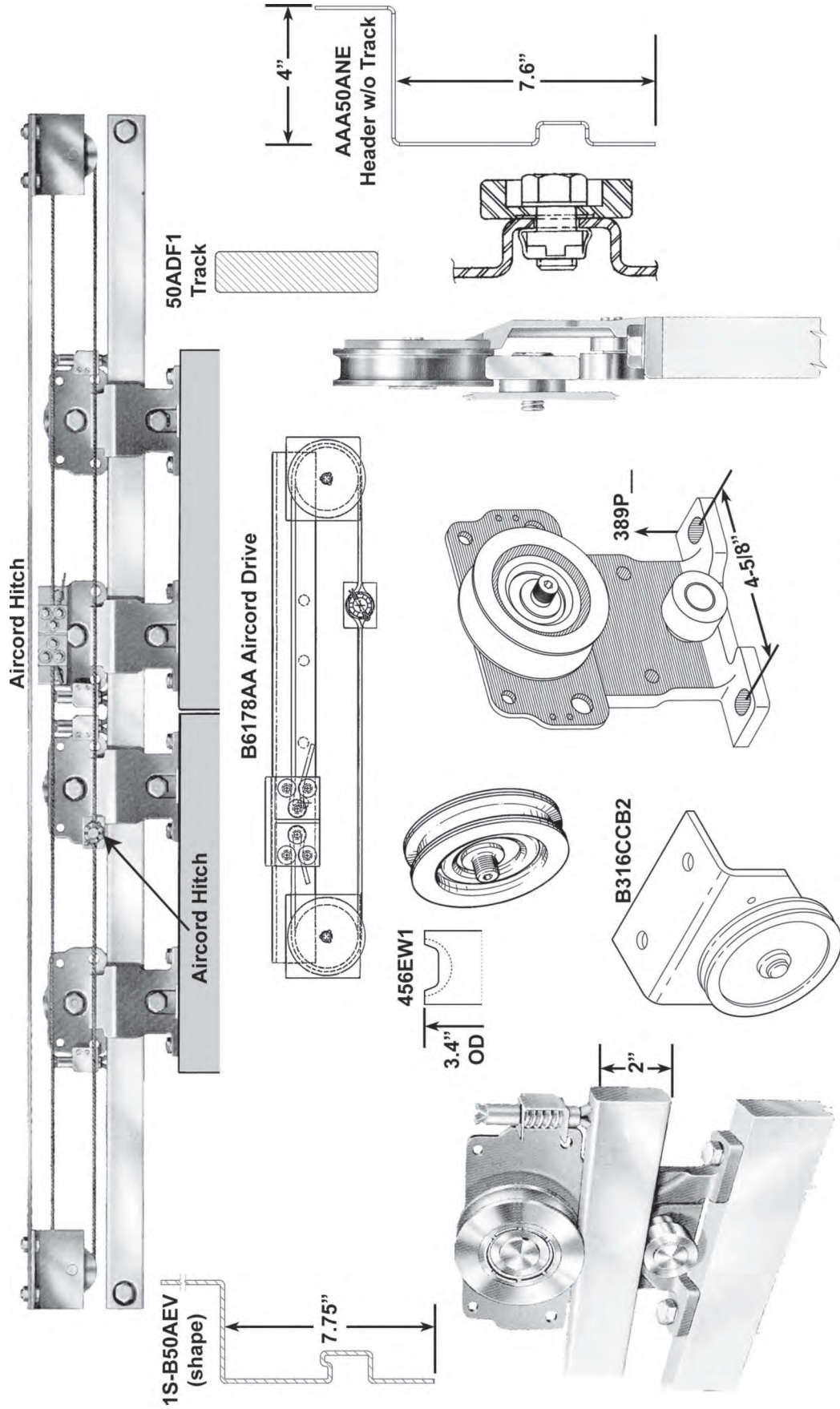


# 7060A Hoistway Hangers (1959 - 1962)

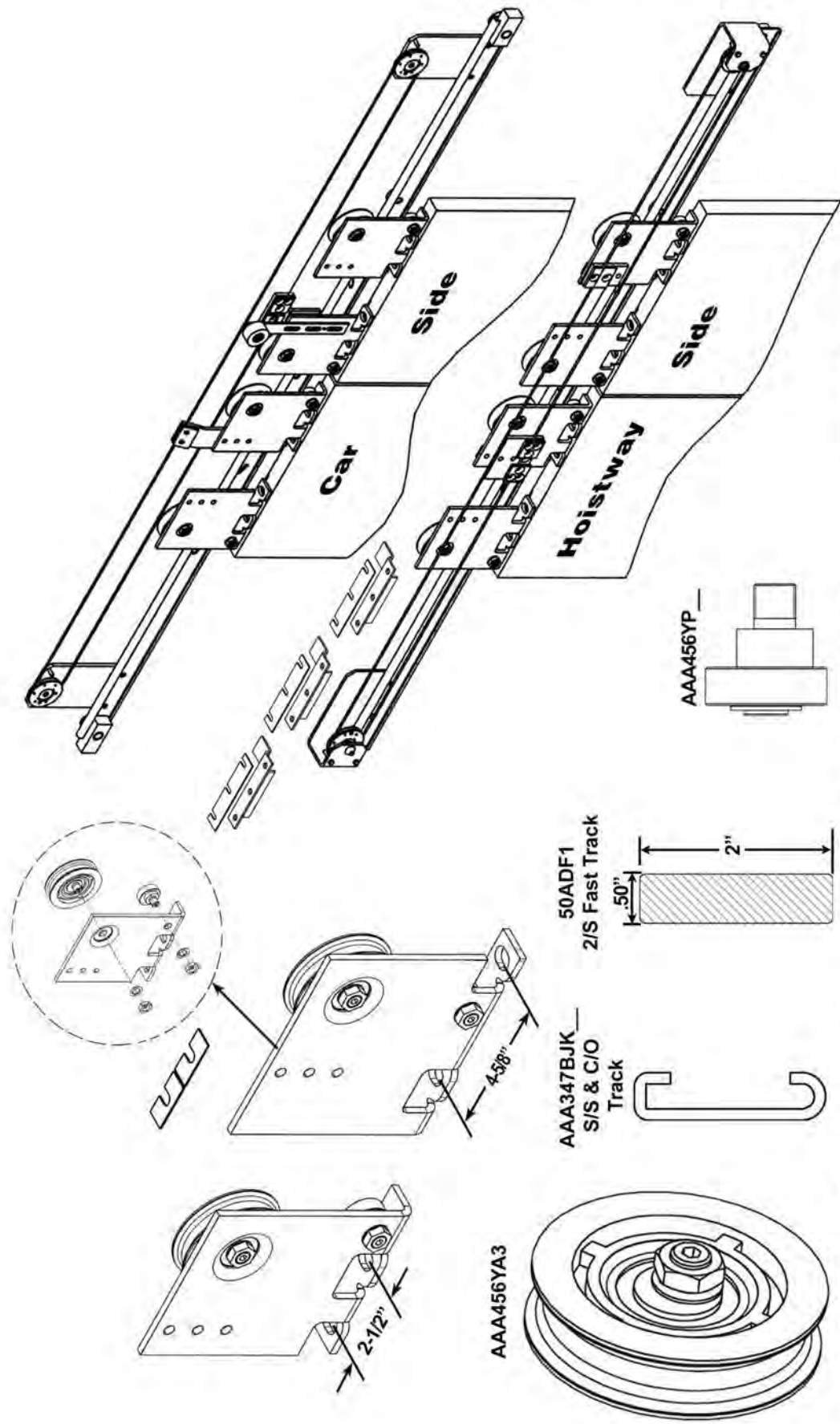


# Integral Hoistway Hangers (c. 1959 - Present)





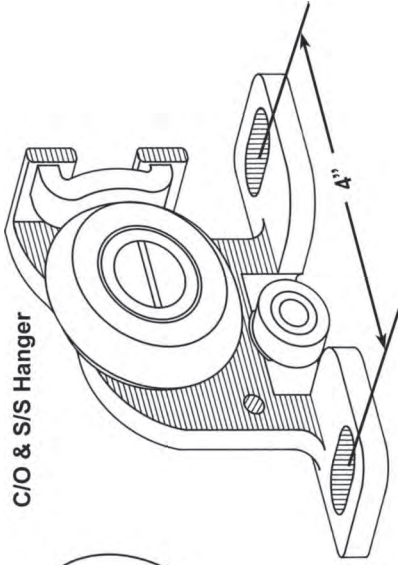
# 7087 Applied (Cast Iron) Hoistway Hangers (1963 - Present)



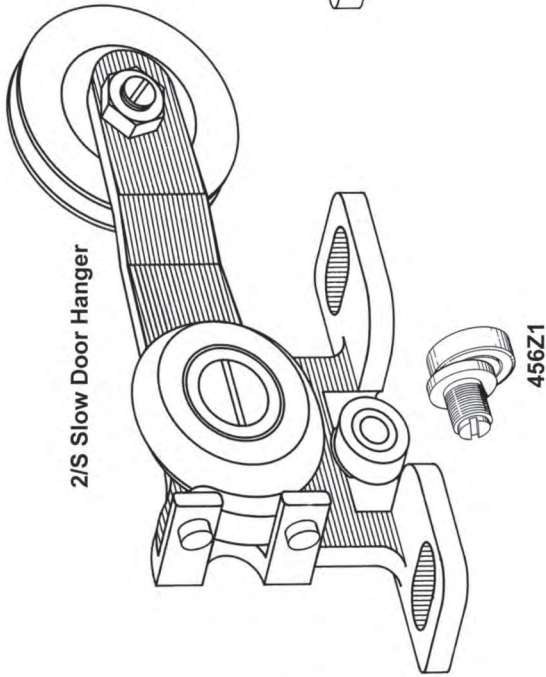
# Modernization Track & Hanger System (2001 - Present)



Door Systems: Car & Hoistway Hangers

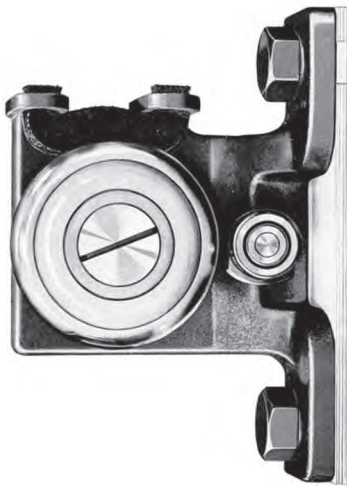


C/O & S/S Hanger

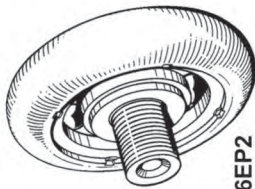


2/S Slow Door Hanger

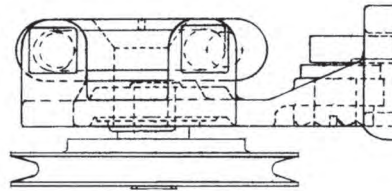
456Z1



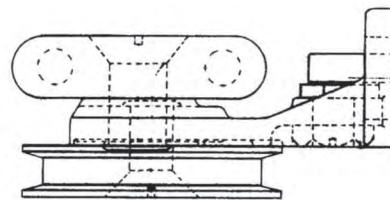
2.3" OD



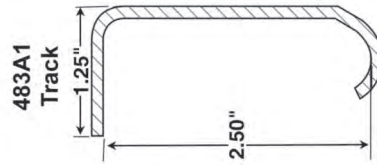
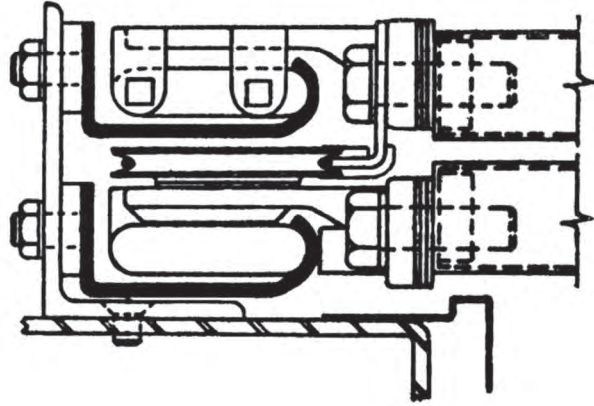
456EP2



For Aircord



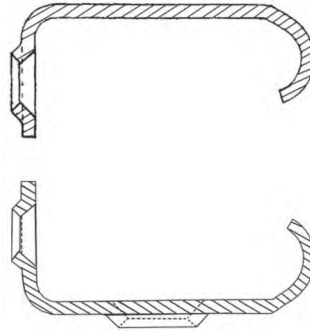
For Chain



483A1 Track

1.25"

2.50"

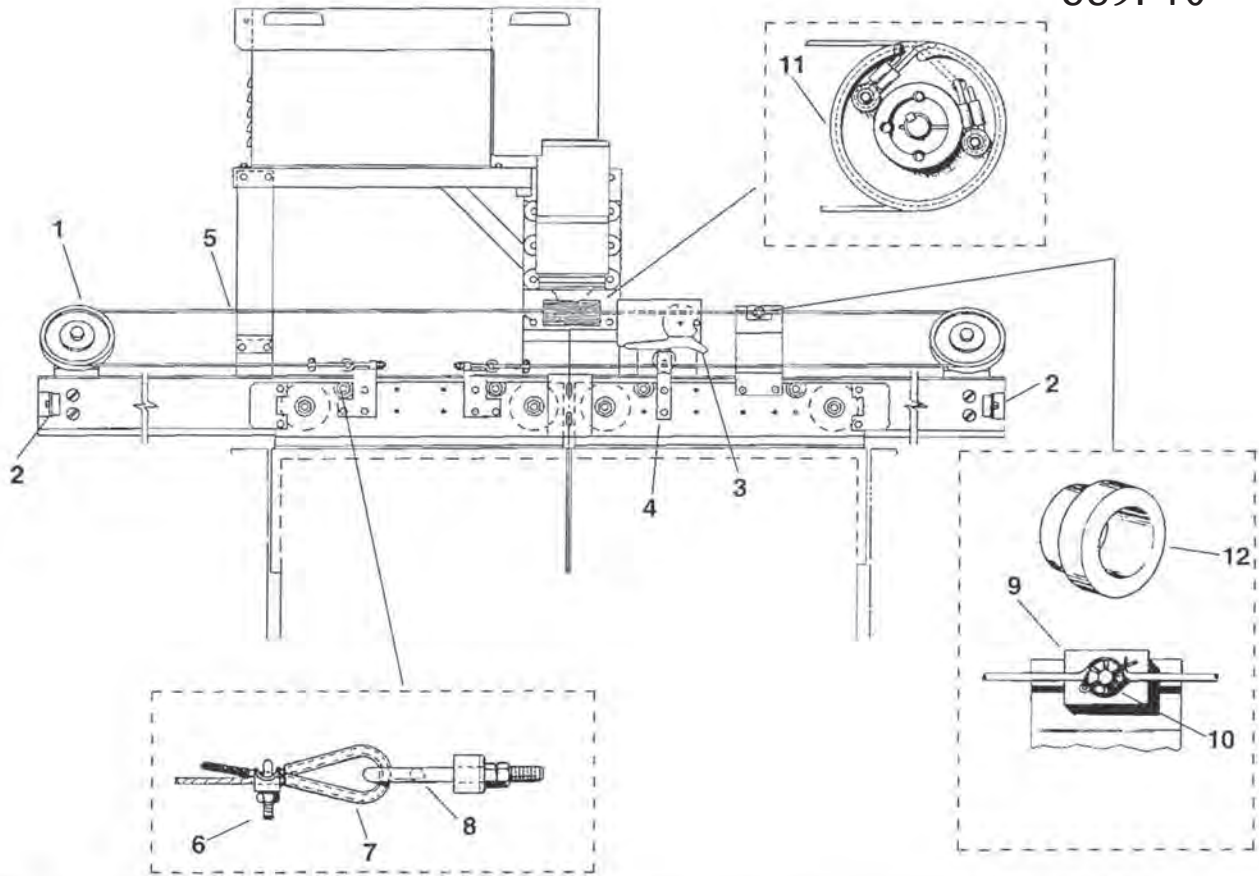


# Type B Hangers



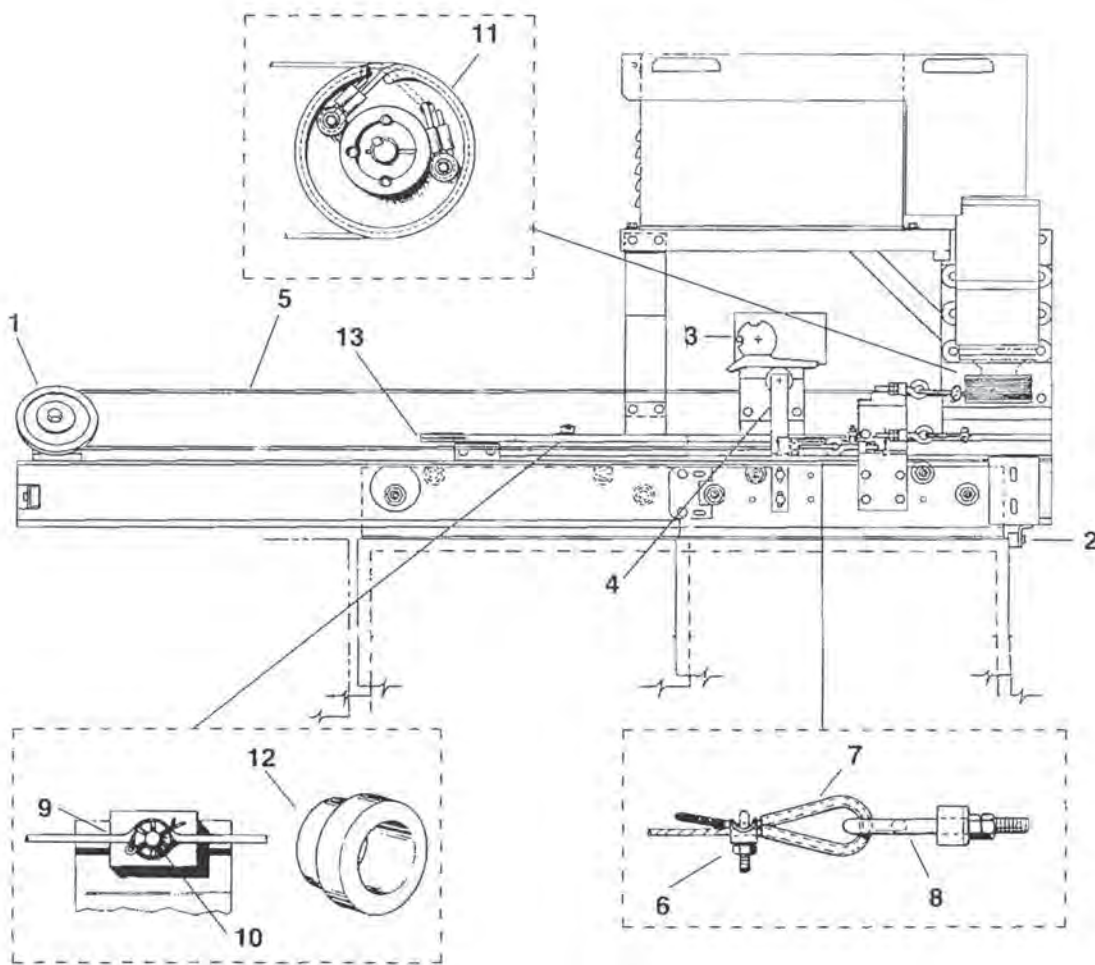
# Door Systems: Aircord, Hanger & Track Spare Parts (Center Opening Doors) Ref. Type 7662A

Part No.  
389P4 or  
389P10



Ref. No.	Part No.	Descriptions
1.	265BC2	Sheave (Associated bracket welded to track)
2.	320P4	Bumper
3.	6098E5	Switch
4.	288PX1	Roller arm
5.	174AS995	Aircord, 1/8" - 7 x 19 tinned, prestretched
6.	V339KF1	Rope clip, 1/8"
7.	V748A1	Rope thimble
8.	V56AS1	Eye bolt, 5/16" x 3-1/4"
9.	231F1	Rope socket
10.	65CN2	Bolt
11.	336GF1	Clinch fitting, copper
12.	133BC1	Washer

# Door Systems: Aircord, Hanger & Track Spare Parts (2-Speed Doors) Ref. 7662C

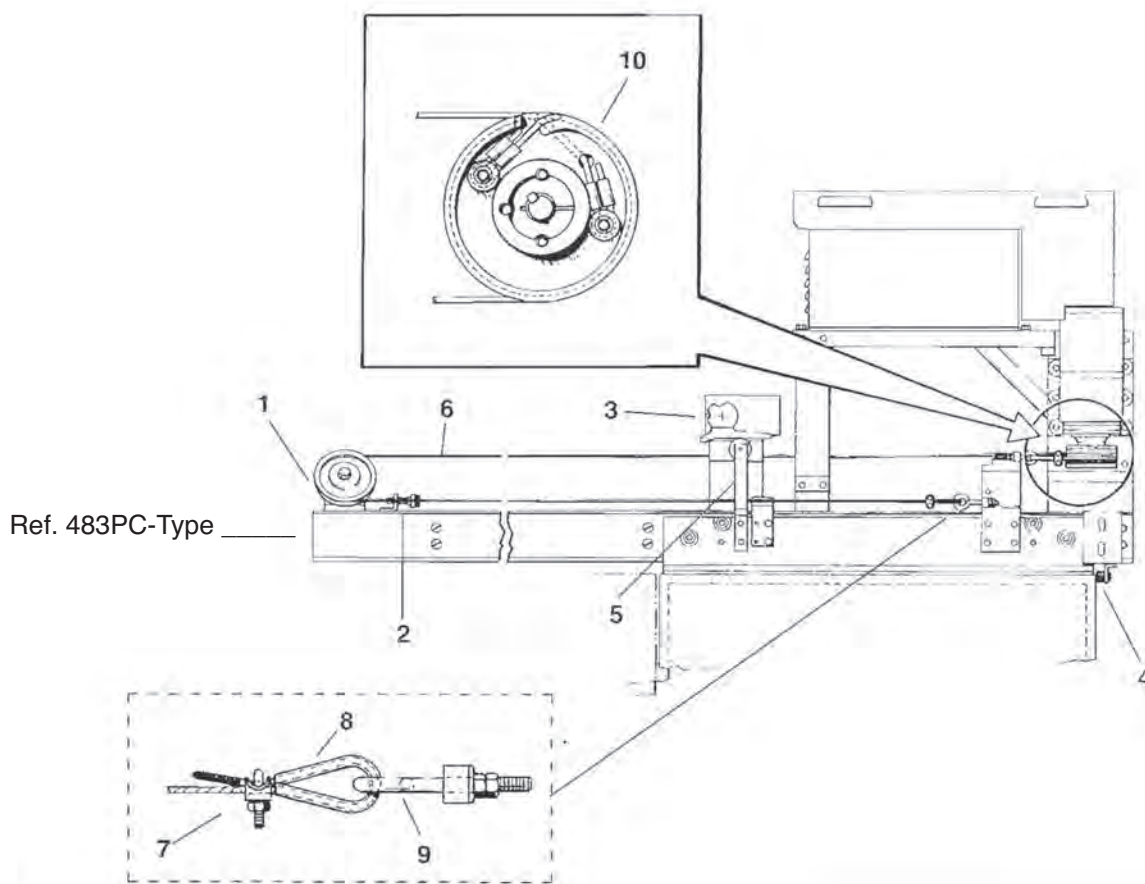


Ref. No.	Part No.	Descriptions
----------	----------	--------------

1.	265BC2	Sheave (Associated bracket welded to track)
2.	320P4	Bumper
3.	6098E5	Switch, left hand
	6098E6	Switch, right hand
4.	288RH1	Roller arm
5.	174AS995	Aircord, 1/8"- 7 x 19 tinned, prestretched
6.	V339KF1	Rope clip, 1/8"
7.	V748A1	Rope thimble
8.	V56AS1	Eye bolt, 5/16" x 3-1/4"
9.	231F1	Rope socket
10.	65CN2	Bolt
11.	336GF1	Clinch fitting, copper
12.	133BC1	Washer
13.	265BD2	Sheave

# Door Systems: Aircord, Hanger & Track Spare Parts (Single Slide Doors)

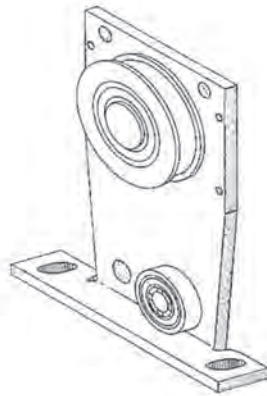
Ref. 7662D



Ref. No.	Part No.	Descriptions
1.	265BC2	Sheave (Associated bracket welded to track)
2.	477EE2	Stop
3.	6098E5	Switch, left hand
	6098E6	Switch, right hand
4.	320P4	Bumper
5.	288RH1	Roller arm
6.	174AS995	Aircord, 1/8" - 7 x 19 tinned, prestretched
7.	V339KF1	Rope clip, 1/8"
8.	V748A1	Rope thimble
9.	V56AS1	Eye bolt, 5/16" x 3-1/4"
10.	336GF1	Clinch fitting, copper



# Door Systems: Door Hanger & Track Systems



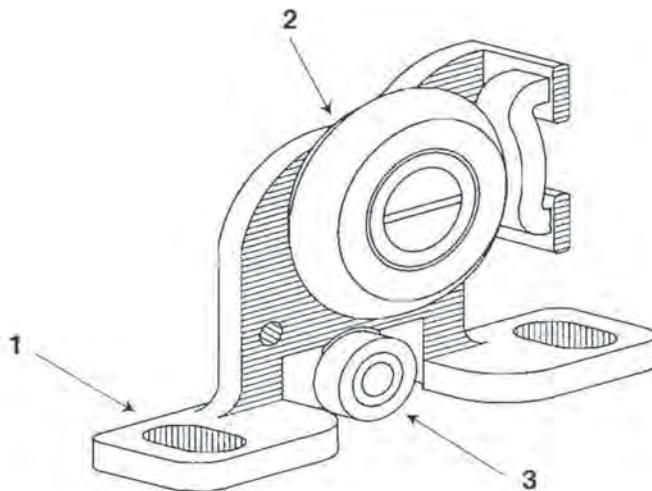
## 7060A Type Door Hanger

Should a full modernization be desired for this type of door hanger system - a cost effective approach is the modern track and hanger sets per pages 20-22.

2" Bar Track Appl.

Part No.	Descriptions
----------	--------------

389J2	Hanger complete for Type hoistway hanger with 456CC1 roller and 207Z4 bearing.
-------	--



## Type 'B' Hangers

See appendix for a comprehensive listing of all door rollers (hanger and upthrust) which OTIS has used over the years.

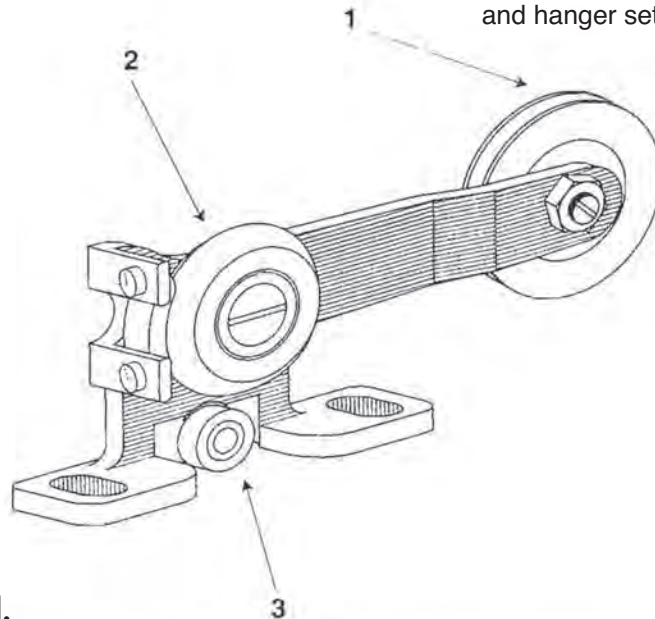
'J' Shape Track Appl.

Ref. No.	Part No.	Descriptions
----------	----------	--------------

	A6037A2	Type "B" two-point suspension hanger with A471A2 stand
	B6037B6	Center opening aircord drive type "B" two-point suspension hanger with B471D1 stand
	B6037B7	Center opening aircord drive type "B" two-point suspension hanger with B471D2 stand
1.	A471A1, 2	Stand for A6037A hanger
	B471D1, 2	Stand for B6037B hanger
2.	456EP2	Roller
3.	456Z1	Roller
	488A2	Wick (not shown)
	72A1	Nut (not shown)

## Type 'B' Hangers

Should a full modernization be desired for this type of door hanger system - a cost effective approach is the modern track and hanger sets per pages 20-25.



'J' Shape Track Appl.

Ref. No.	Part No.	Descriptions
	C6037C5	Two-speed aircord drive type "B" two-point suspension hanger with C471E1 stand, hand: as shown
	B6037E3	Two-speed aircord drive type "B" two-point suspension hanger with B471AA1 stand, hand: as shown
	B6037E4	Two speed aircord drive type "B" two-point suspension hanger with B471AA2 stand, hand: opposite
	C6037C7	Two-speed aircord drive type "B" two-point suspension hanger with C471E3 stand, hand: opposite
1.	265BD2	Roller
2.	456EP2	Roller
3.	456Z1	Roller
	488A2	Wick (not shown)
	72A1	Nut (not shown)
	77MN1	Pin (not shown)
	C471E1, 3	Stand for C6037C hanger

# Door Systems: Door Hanger & Track Systems

## B Hangers System

Should a full modernization be desired for this type of door hanger system - a cost effective approach is the modern track and hanger sets per pages 20-25.

### 'J' Shape Track Appl.

Part No.	Descriptions
149AA1	Anchor, aircord
149AB2	Anchor, aircord, w/ aircord 66" long
149AB3	Anchor, aircord, w/ aircord 78" long
149AB5	Anchor, aircord, w/ aircord 92" long
B6037B6	Hanger assembly
B6037B7	Hanger assembly
B6037E3	Hanger w/sheave (for RH door)
B6037E4	Hanger w/sheave (for LH door)
C6037C5	Hanger w/sheave (for LH door, w/safety shoe)
C6037C7	Hanger assembly
A6037A2	Hanger assembly
B6037C3	Hanger w/chain wheel (for RH door, w/safety shoe)
265BD2	Sheave, aircord, w/ ball bearing
265BH1	Sheave, aircord, each consisting of : sheave, w/ bearing (Part #265BD2); Bearing, ball (Part #207Z23); bracket, wheel (part #A316F2); pin (part #77MN2)

## Roller Assembly Parts – 'B' Hanger Components

Part No.	Descriptions
207Z23	Bearing, ball (for sheave)
77MN1	Pin, sheave (for sheave)
456EP2	Roller
456Z1	Roller, ball bearing, w/ pin
488A2	Wick, 3/8" square, 2 1/2" long, felt

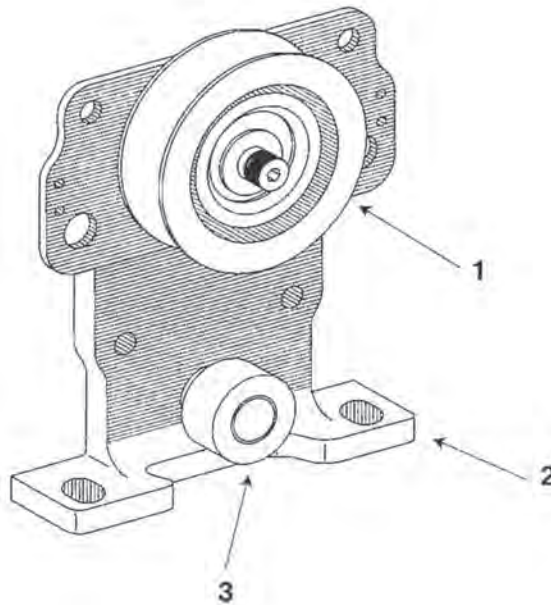


## 7087 Hangers

**Modernization Hint:**

Hangers are cast iron - unless badly rusted or broken - just replace rollers and up thrusts.

Part No.  
389P4 or  
389P10



### 2" Bar Track or Formed Header Appl.

Ref. No.	Part No.	Descriptions
	389P4	Complete hanger with 456EW1 and 456CP2 rollers
	389P10	Complete hanger w/metric rollers (AAA456YA1 and AAA456XZ1)
1.	456EW1	Roller
2.	389P2	Bracket
3.	456CP2	Roller
	72AF2	Nut (not shown)
	77RK2	Pin, eccentric (not shown)

**Note:** 389P4 and 389P10 are interchangeable as assemblies.



# Door Systems: Door Hanger & Track Systems

## 7087A, B & C Hangers System (Hall) 2" Bar or Formed Header Track Appl.

Part No.	Descriptions
174AS995	Aircord, 1/8" diam. 7" x 19" tinned (specify length)
172DN3	Ring
456CP1	Roller
456CP2	Roller
456EW1	Roller w/ polyurethane tire, 3.375" O.D.
90VA17	Spring
AAA488M1	Wick, felt, .75" x 3"

## A Hangers System (Car & Hall) 2 -1/2" Bar Track Appl.

Should a full modernization be desired for this type of door hanger system - a cost effective approach is the modern track and hanger sets per pages 20-25.

Part No.	Descriptions
207Z4	Bearing, ball, w/ eccentric pin*
209E1	Bearing, roller
A456EA1	Roller, 3-3/8" dia. x 3/4" wide, 1/2" dia. Bore <b>6178A</b> hanger*
456W1	Roller, ball bearing hanger
A456W1	Roller, rubber tired*
265BD2	Sheave*
265BC2	Sheave, w/ ball bearing
488A1	Wick, 3/8" square, 3" long, Felt*

\* also need w/ AU hanger

## AU Hangers System (Car) 2 -1/2" Bar Track Appl.

Modernization Hint:  
Unless badly rusted or damaged - just replace rollers and up thrusts.

Part No.	Descriptions
320AB2	Bumper, 1 1/4" wide, 2 1/8" long, rubber
320AD2	Bumper, 1 5/8" wide, 2 1/8" long, rubber
77LZ1	Pin, 1 5/8" long
265BC2	Sheave, aircord, w/ ball bearing
A456W1	All potential 'AU' hanger rollers - Contact OSC for help.
456W1	
A456EA1	
A456EA2	

## Integral Hangers System

### 2" Bar or 2" Formed Header Track Appl.

Modernization Note: Unless doors are being replaced, hangers cannot be changed out. Replace components only for mods or see door replacement flyer on page 44.

Part No.	Descriptions
6178CG2	Aircord assembly, complete car, 42" opening
6178CG1	Aircord assembly, complete car, 48" opening
B6178AA6	Aircord assembly, complete hoistway, 42" opening
B6178AA4	Aircord assembly, complete hoistway, 48" opening
174AS995	Aircord, 1/8" dia., 7" x 19", tinned (specify length)
320AB8	Bumper (qty. 2 w/ center open doors)
385LH1	Door guide, 6.25" long w/ 11 slots, door edge to center = .50"
385KW1	Door guide, 8" long w/ 10 slots, door edge to center = .62"
7593B1	Door guide, hoistway bottom; consists of <b>385KW1</b> Guide, <b>251BJ1</b> gib, <b>95CV1</b> safety screws, & fasteners (formerly <b>2220D16</b> )
7593B2	Door guide, hoistway bottom; consists of <b>385KW1</b> guide, <b>456DD1</b> roller, & fasteners
7593B3	Door guide, car bottom; consists of <b>385LH1</b> guide, <b>251BJ1</b> gib, <b>95CV1</b> safety screws, & fasteners (formerly <b>2213R1</b> )
7593B4	Door guide, car bottom; consists of <b>385NM1</b> guide, <b>456DD1</b> roller, <b>95CV1</b> safety screws, & fasteners
7593B5	Door guide, car bottom; consists of <b>385NM2</b> guide, <b>YYJ0251C1</b> gib, <b>95CV1</b> safety screws, & fasteners
7593B6	Door guide, car bottom; consists of <b>385KW1</b> guide, <b>YYJ0251C1</b> gib, <b>95CV1</b> safety screws, & fasteners
7593B7	Door guide, car bottom; consists of <b>385LH1</b> guide, <b>YYJ0251C1</b> gib, <b>95CV1</b> safety screws, & fasteners (formerly <b>2213R1-silent</b> )
77MF1	Pin, 39/64" long
456DD1	Roller gib, door edge to center = .68"
456EW1	Roller w/ polyurethane tire, 3.375" O.D.
456CP1	Roller, upthrust w/ dupont zytel surface 1.58" long
456EK1	Roller, upthrust w/ polyurethane tire 1.38" long
265BD2	Sheave, 2-5/8" O.D. w/ <b>207Z23</b> bearing

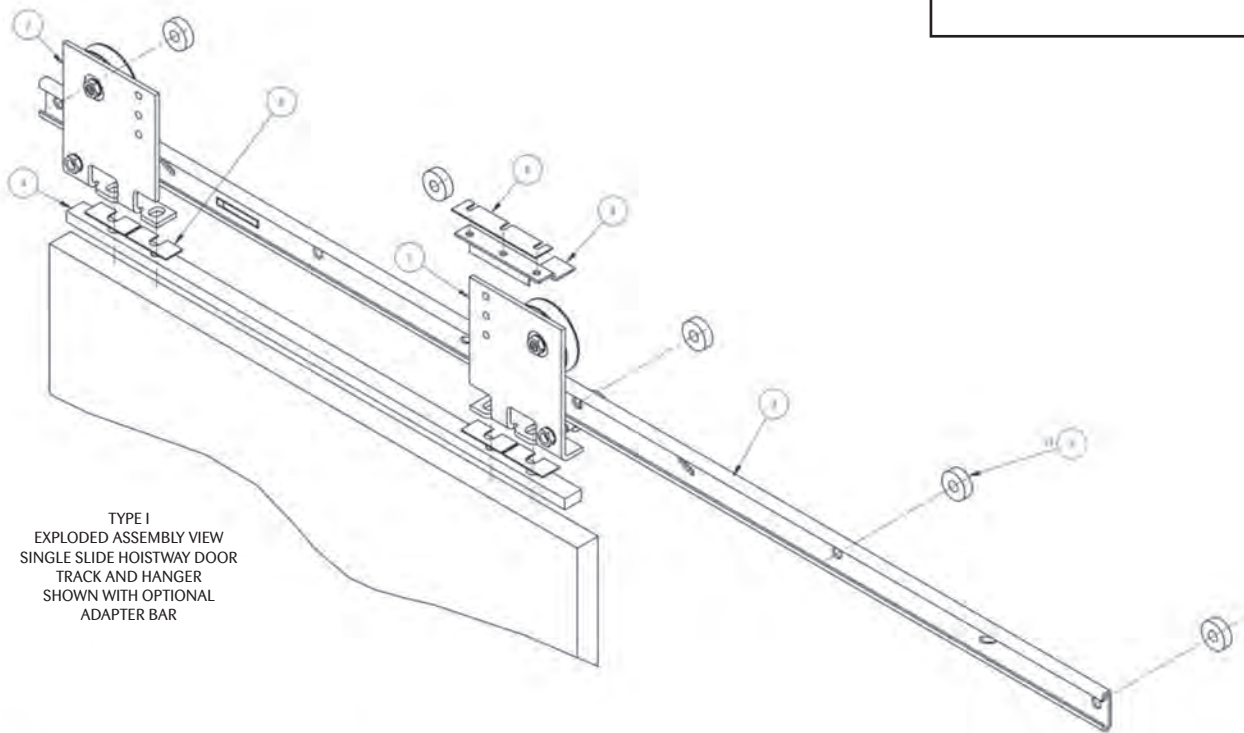
#### Early '59 – '62 Integral Hanger System Parts

207Z4	Bearing, ball
77RK1	Pin, eccentric
172DN3	Ring, retaining
456CC1	Roller (Polly version is 456CC2)
265BD2	Sheave, w/ ball bearing (furnished assembled only) for 2/S hoistway doors
265BK2	Sheave, w/ bearing & nut (furnished assembled only) for C/O hoistway doors
90VA17	Spring, compression (for wick)



# Door Systems: Single Side Slide Hall Track and Hanger Sets - Mod Upgrade

**SEE APPENDIX E  
FOR SPARE PARTS**



TYPE I  
EXPLODED ASSEMBLY VIEW  
SINGLE SLIDE HOISTWAY DOOR  
TRACK AND HANGER  
SHOWN WITH OPTIONAL  
ADAPTER BAR

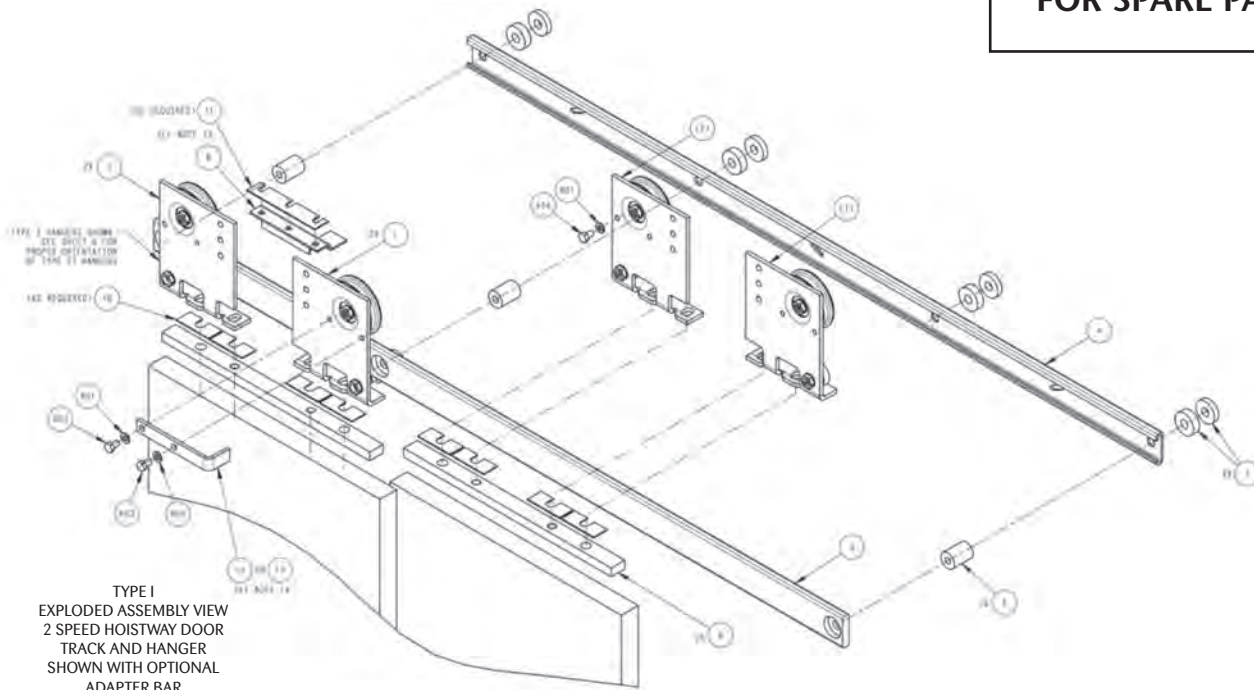
**Part No. AAA23000E**

<b>Standard arrangements available for:</b>	36 in. Single Slide
	42 in. Single Slide
	48 in. Single Slide

**Ordering and survey forms for tracks and hangers are available at:  
Impact/Modernization/Estimating and Ordering/Tracks and Hangers/**

# Door Systems: Two Speed Hall Track and Hanger Sets - Mod Upgrade

SEE APPENDIX E  
FOR SPARE PARTS



TYPE I  
EXPLODED ASSEMBLY VIEW  
2 SPEED HOISTWAY DOOR  
TRACK AND HANGER  
SHOWN WITH OPTIONAL  
ADAPTER BAR

RIGHT HAND SHOWN  
LEFT HAND OPPOSITE

Part No. AAA23050B

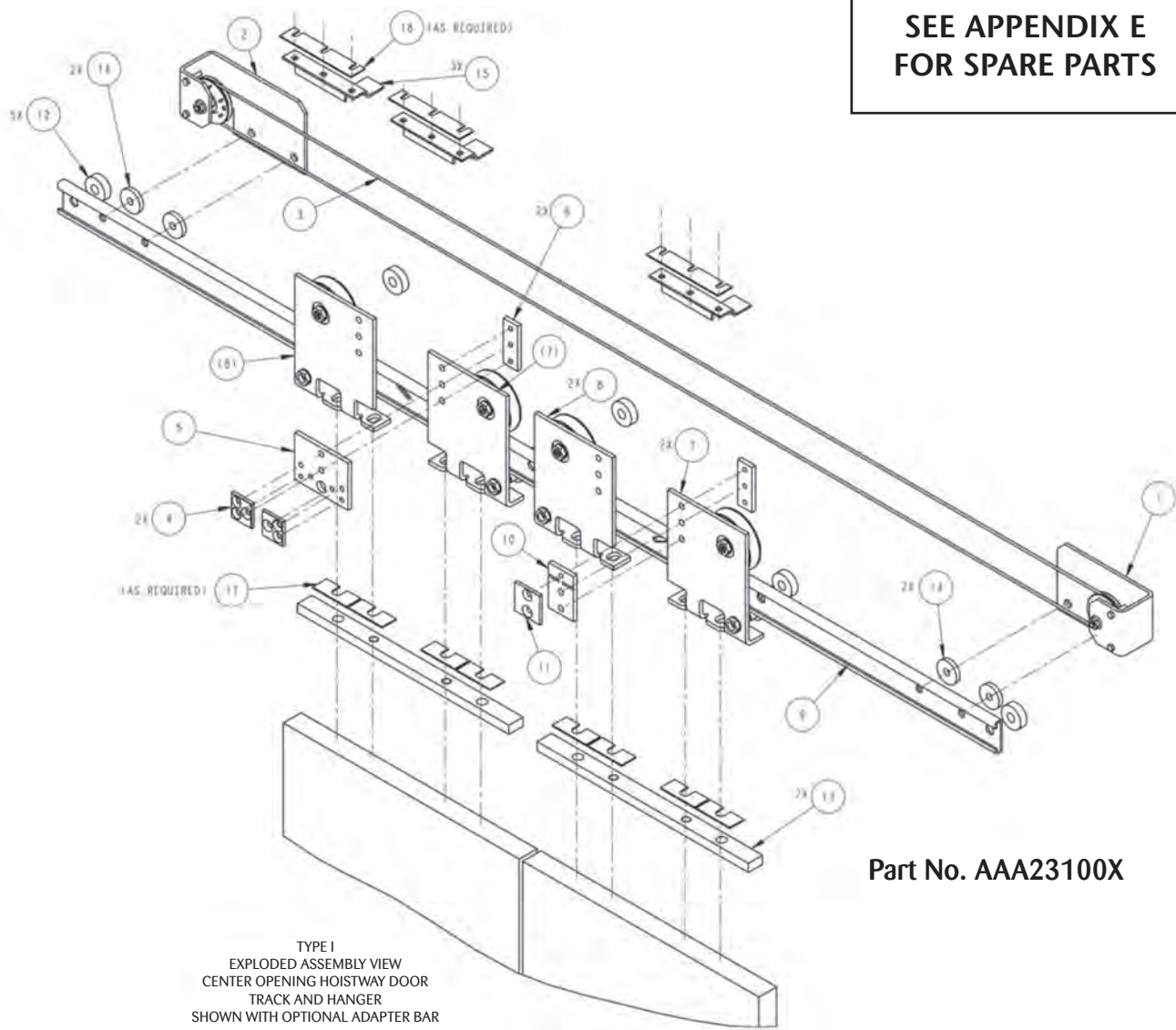
<b>Standard arrangements available for:</b>	36 in.	Two-Speed
	42 in.	Two-Speed
	44 in.	Two-Speed
	46 in.	Two-Speed
	48 in.	Two-Speed
	54 in.	Two-Speed

(Each arrangement includes sill mounted relater/closer)

Ordering and survey forms for tracks and hangers are available at:  
Impact/Modernization/Estimating and Ordering/Tracks and Hangers/

# Door Systems: Center Opening Hall Track and Hanger Sets - Mod Upgrade

**SEE APPENDIX E  
FOR SPARE PARTS**



**Part No. AAA23100X**

TYPE I  
EXPLODED ASSEMBLY VIEW  
CENTER OPENING HOISTWAY DOOR  
TRACK AND HANGER  
SHOWN WITH OPTIONAL ADAPTER BAR

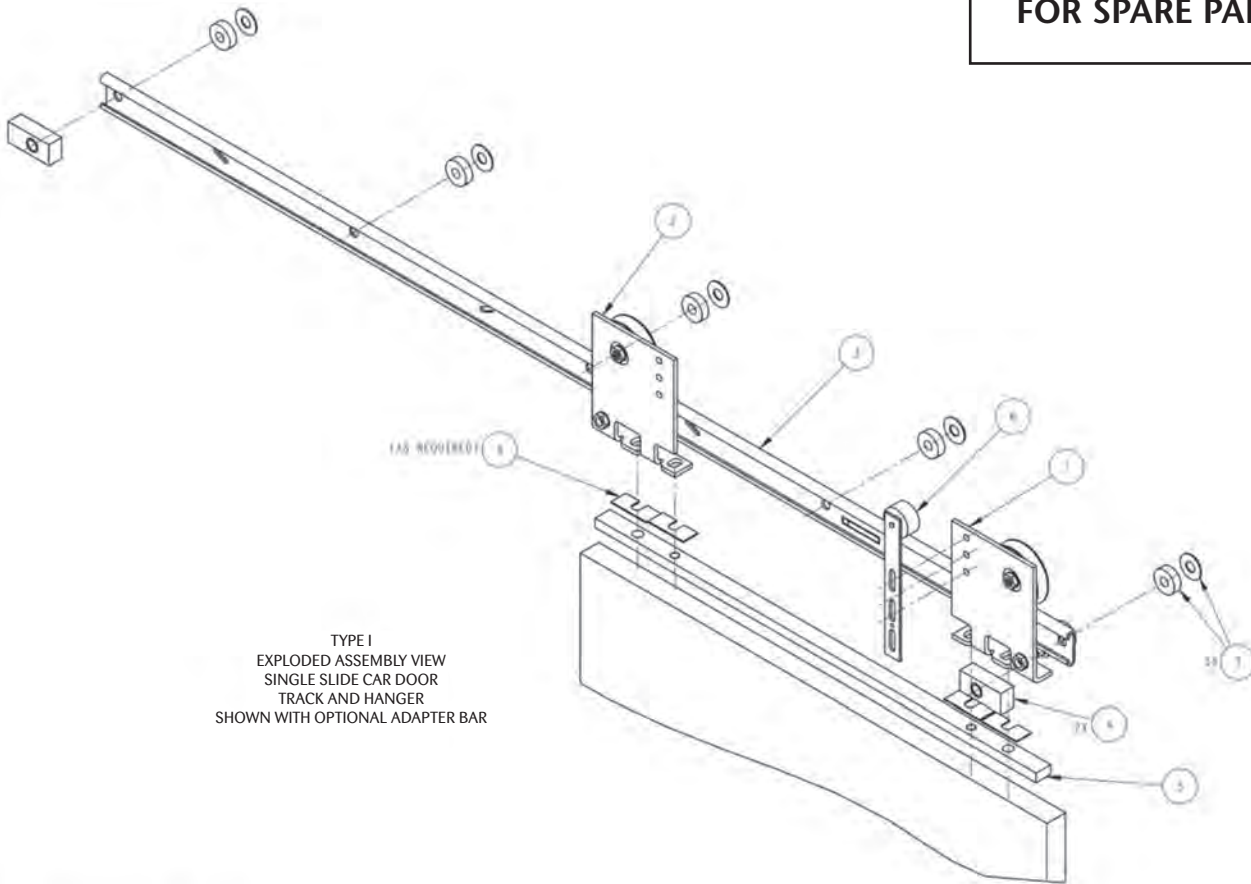
- Standard arrangements available for:**
- 36 in. Center Opening
  - 42 in. Center Opening
  - 44 in. Center Opening
  - 48 in. Center Opening
  - 54 in. Center Opening

**Ordering and survey forms for tracks and hangers are available at:  
Impact/Modernization/Estimating and Ordering/Tracks and Hangers/**



# Door Systems: Single Side Slide Car Track and Hanger Sets - Mod Upgrade

SEE APPENDIX E  
FOR SPARE PARTS



TYPE I  
EXPLODED ASSEMBLY VIEW  
SINGLE SLIDE CAR DOOR  
TRACK AND HANGER  
SHOWN WITH OPTIONAL ADAPTER BAR

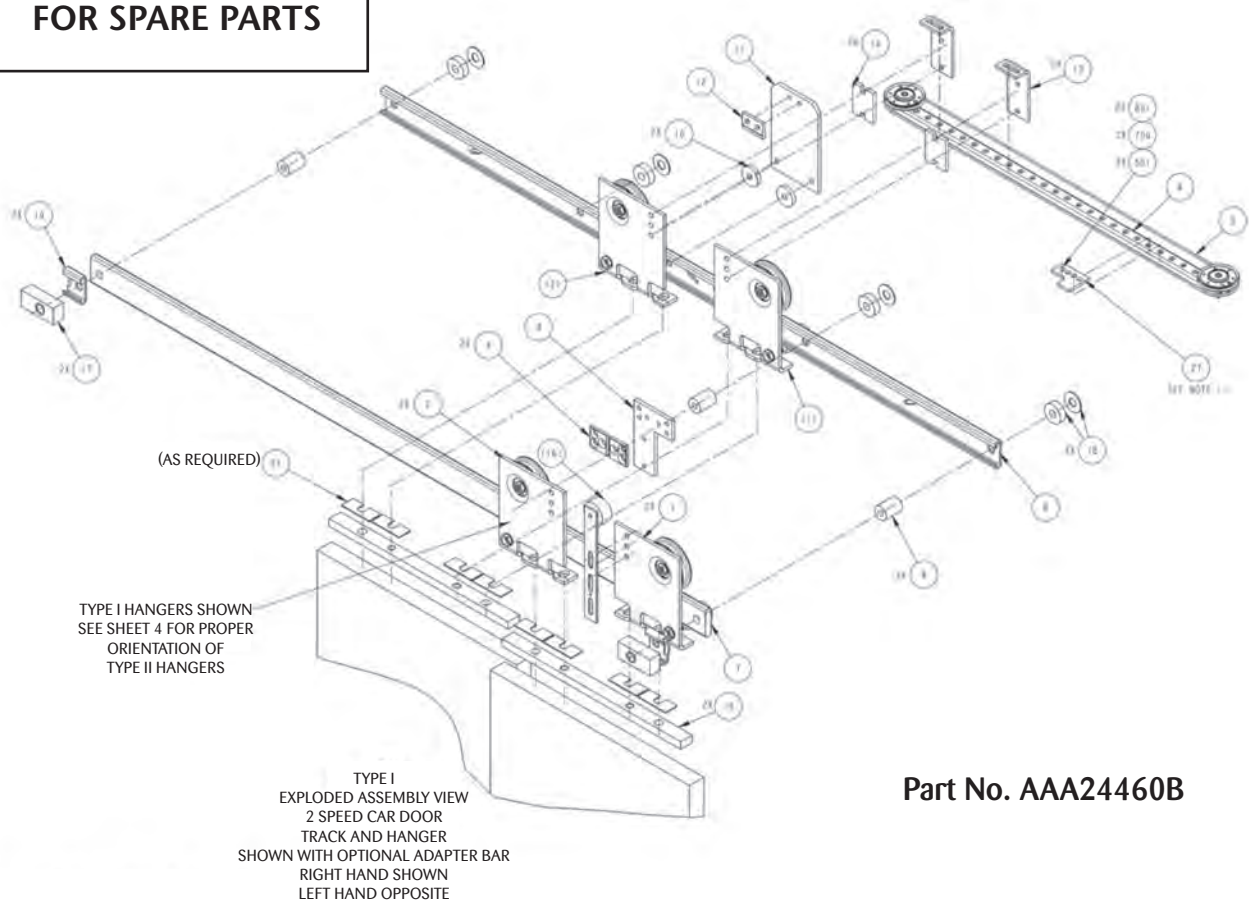
Part No. AAA24450Q

Standard arrangements available for:	36 in.	Single Slide
	42 in.	Single Slide
	48 in.	Single Slide

Ordering and survey forms for tracks and hangers are available at:  
Impact/Modernization/Estimating and Ordering/Tracks and Hangers/

# Door Systems: Two Speed Car Track and Hanger Sets - Mod Upgrade

**SEE APPENDIX E  
FOR SPARE PARTS**



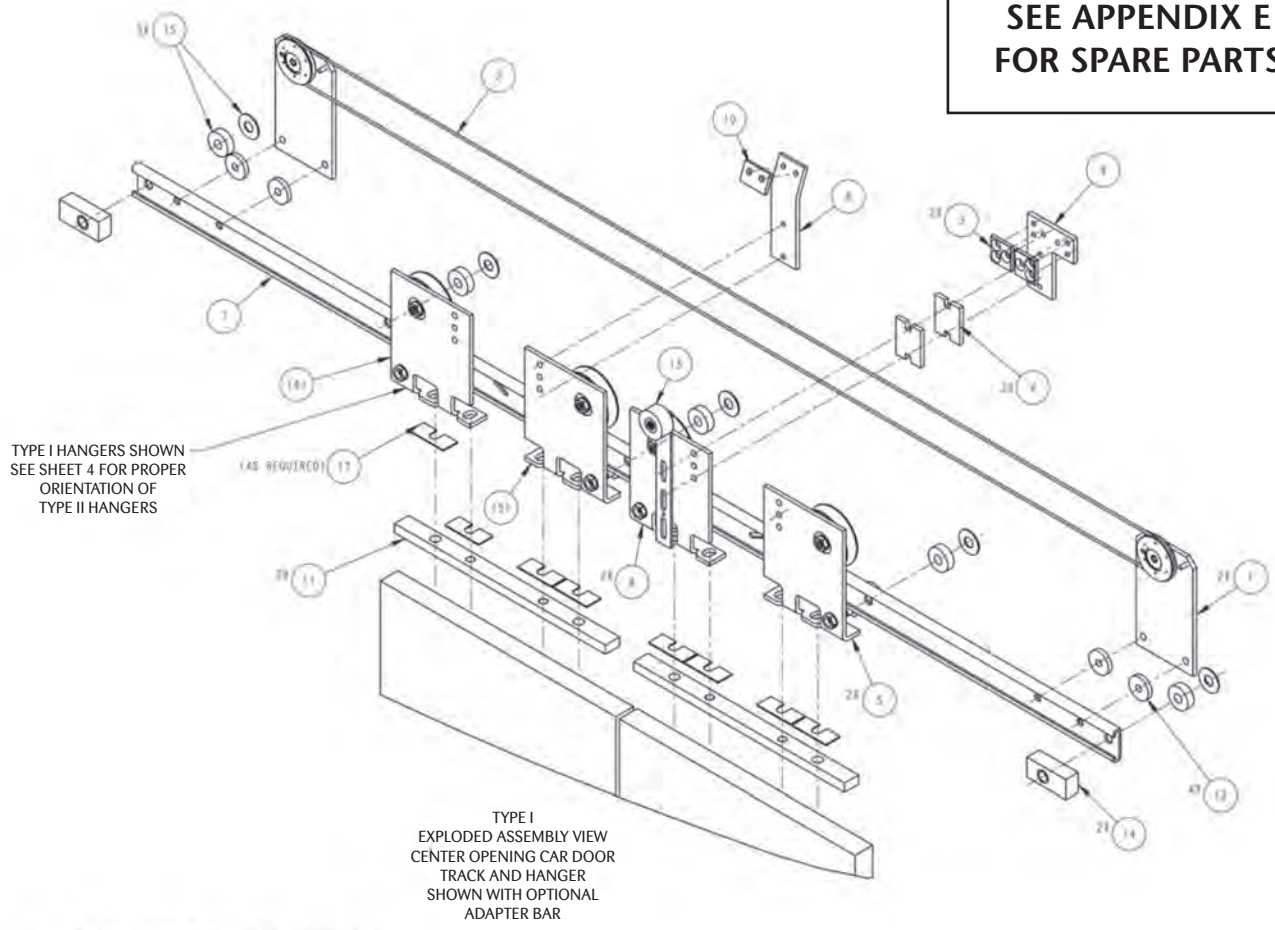
**Part No. AAA24460B**

<b>Standard arrangements available for:</b>	36 in.	Two Speed
	42 in.	Two Speed
	48 in.	Two Speed
	54 in.	Two Speed

Ordering and survey forms for tracks and hangers are available at:  
Impact/Modernization/Estimating and Ordering/Tracks and Hangers/

# Door Operator: Center Opening Car Track and Hanger Sets - Mod Upgrade

**SEE APPENDIX E  
FOR SPARE PARTS**



**Part No. AAA24470L**

**Standard arrangements available for:**

- 36 in. Center Opening
- 42 in. Center Opening
- 44 in. Center Opening
- 48 in. Center Opening
- 54 in. Center Opening

**Ordering and survey forms for tracks and hangers are available at:  
Impact/Modernization/Estimating and Ordering/Tracks and Hangers/**

**Door Systems**

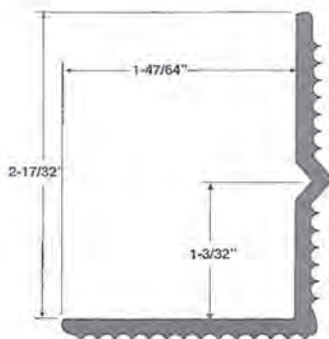


# Door Systems: Sight Guard Shapes, Plastic

## Shape No. 50ADC



Available also as Shape P/N: 50ADC-86



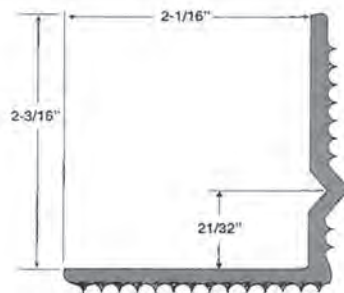
**Black Plastic**

Part No.	Descriptions
147EY1	Male faceplate, 68-3/4" long
147FB1	Male faceplate, 15-1/4" long

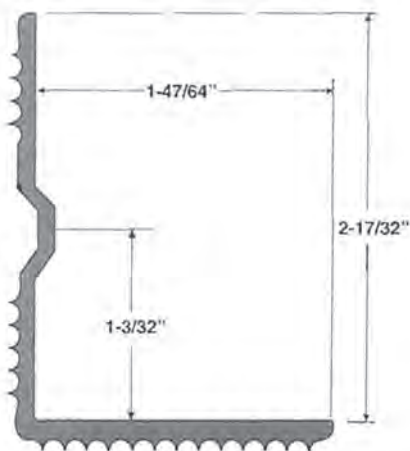
## Shape No. A50ADC



Available also as Shape P/N: A50ADC-86



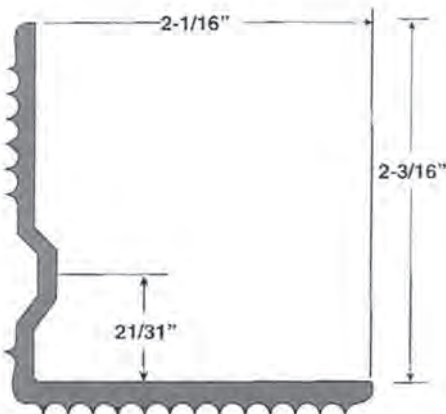
**Shape No. 50ADD**



Available also as Shape P/N: 50ADD-86

**Black Plastic**

Part No.	Descriptions
147EW1	Female faceplate, 68-3/4" long, hand: as shown
147EW2	Female faceplate, 68-3/4" long, hand: opposite
147FC1	Female faceplate, 15-1/4" long, hand: as shown
147FC2	Female faceplate, 15-1/4" long, hand: opposite



**Shape No. A50ADD**

Available also as Shape P/N: A50ADD-86

**Black Plastic**

Part No.	Descriptions
A147EW1	Female faceplate, 69-1/8" long, hand: as shown, R.H.
A147EW2	Female faceplate, 69-1/8" long, hand: opposite, L.H.
A147 FC1	Female faceplate, 14.88" long, hand: as shown, R.H.
A147FC2	Female faceplate, 14.88" long, hand: opposite, L.H.

# Door Systems: Sight Guard Shapes, Plastic

## Shape No. 50ACV



Label P/N Shown:  
428F1-5 (provide desired marking) \_\_\_\_\_

Dimensions:  
2-1/2" at Door Face  
2-1/8" Protrusion Ribbed Face  
3/4" Finish Leg

### Black Plastic

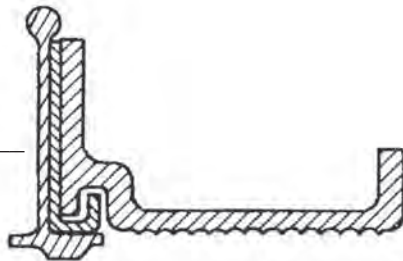
Part No.	Descriptions
278BG2	Hoistway door shield, 84.0" long, marking per order, R.H.
278BG3	Hoistway door shield, 84.0" long, marking per order, L.H.
278BG4	Hoistway door shield, 80.0" long, marking per order, R.H.
278BG5	Hoistway door shield, 80.0" long, marking per order, L.H.
278BG10	Hoistway door shield, 83-1/2" long, marking per order, R.H.
278BG11	Hoistway door shield, 83-1/2" long, marking per order, L.H.



## Shields

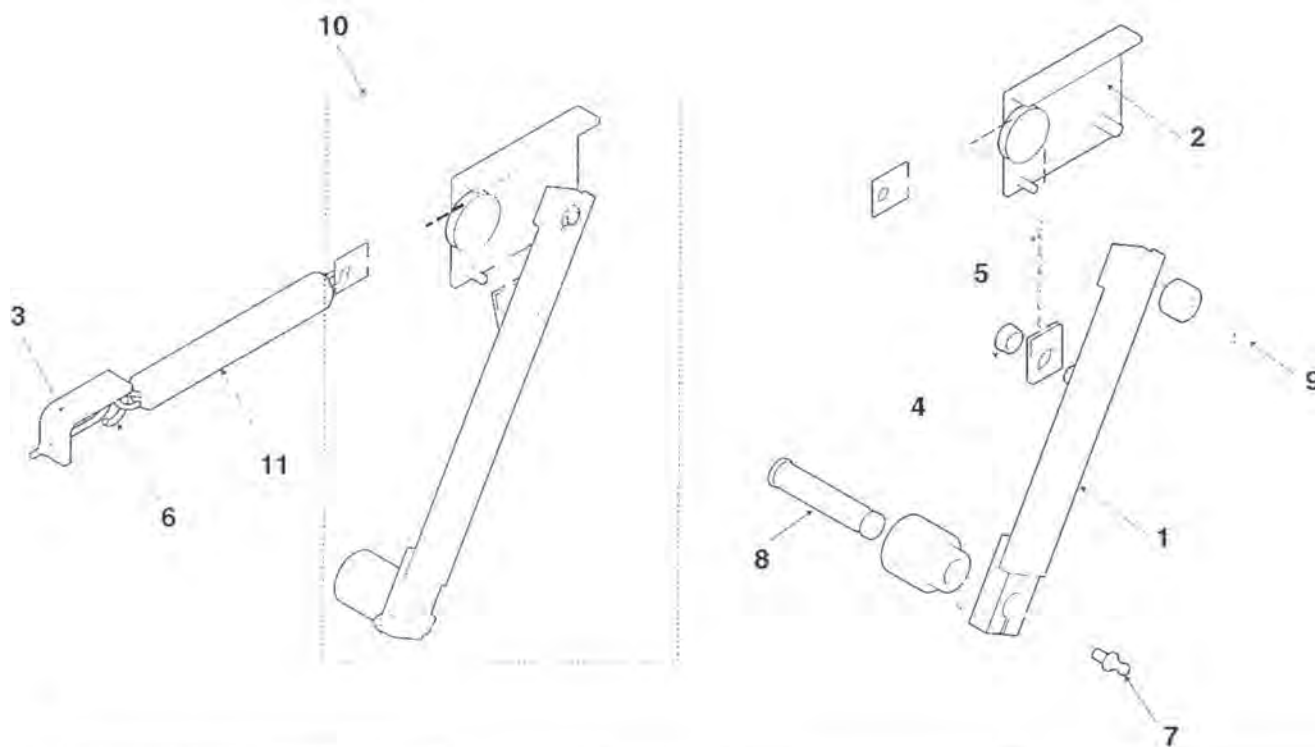
Shape P/N:  
1S-50AHM-108 (used w/278CG)

RH as shown.



Part No.	Descriptions
287CG1	7048BF sight guard and astragal assembly. Tenite hoistway door sight guard, 83-1/2" x 2.0" x 0.9"
278CN1	Hoistway door sight guard, for 7048BF1, 2, 3, 4 assemblies, 83-1/2" x 2.0" x 1.18"
278CN2	Hoistway door sight guard, for 7048BF5, 6 assemblies, 95-1/2" x 2.0" x 1.18"
7048BF1	Sight guard and astragal assembly, 83-1/2" long, marking per order, R.H.
7048BF2	Sight guard and astragal assembly, 83-1/2" long, marking per order, L.H.
7048BF3	Sight guard assembly without astragal, 83-1/2" long, marking per order, R.H.
7048BF5	Sight guard and astragal assembly, 95-1/2" long, marking per order, R.H.
7048BF6	Sight guard and astragal assembly, 95-1/2" long, marking per order, L.H.

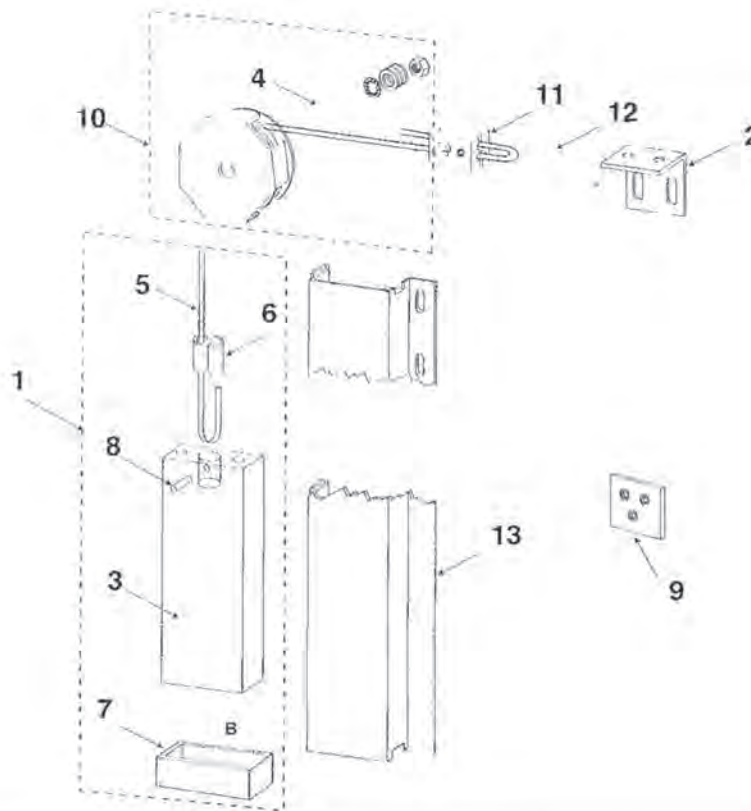
## Door Systems: Closers - B6940D Spring Closer



Ref. No.	Part No.	Descriptions
1.	288KE1 288KE2	Arm, 4-9/16" center hole to center hole Arm, 6-3/8" center hole to center hole
2.	A316BKS17 A316BKS18 A316BKS19 A316BKS20	LH Bracket, pivot, 6" long, Aircord Retrofit RH Bracket, pivot, 6" long, Aircord Retrofit LH Bracket, pivot, 8" long, Aircord Retrofit RH Bracket, pivot, 8" long, Aircord Retrofit
3.	316BKT1	Bracket
4.	335H8	Bushing, flanged, oil-less
5.	A332AS2 A332AS2	OBSOLETE - Chain assembly, 11-1/2" L, See Ref. 2 above. OBSOLETE - Chain assembly, 14-1/4" L, See Ref. 2 above.
6.	56Y3	Eyebolt
7.	435AJ2	Fitting lubricator, 3/16"
8.	78AK4	Pin, 3/4" dia., 2-9/32" long, w/ 3/16" hole
9.	172DE11	Ring
10.	B6940D6 B6940D7 B6940D8	Spring closer assembly, 1 roller, as shown Spring closer assembly, 2 rollers, as shown Spring closer assembly, 2 rollers, opposite
11.	91AE1 91W5	Spring, extension for 2/S Doors Spring, extension, for 1-sp & C/O doors

OTHER DOOR CLOSER RELATED PARTS CAN BE FOUND IN APPENDIX C

## Door Systems: Closers - A6940AD Weight Closer



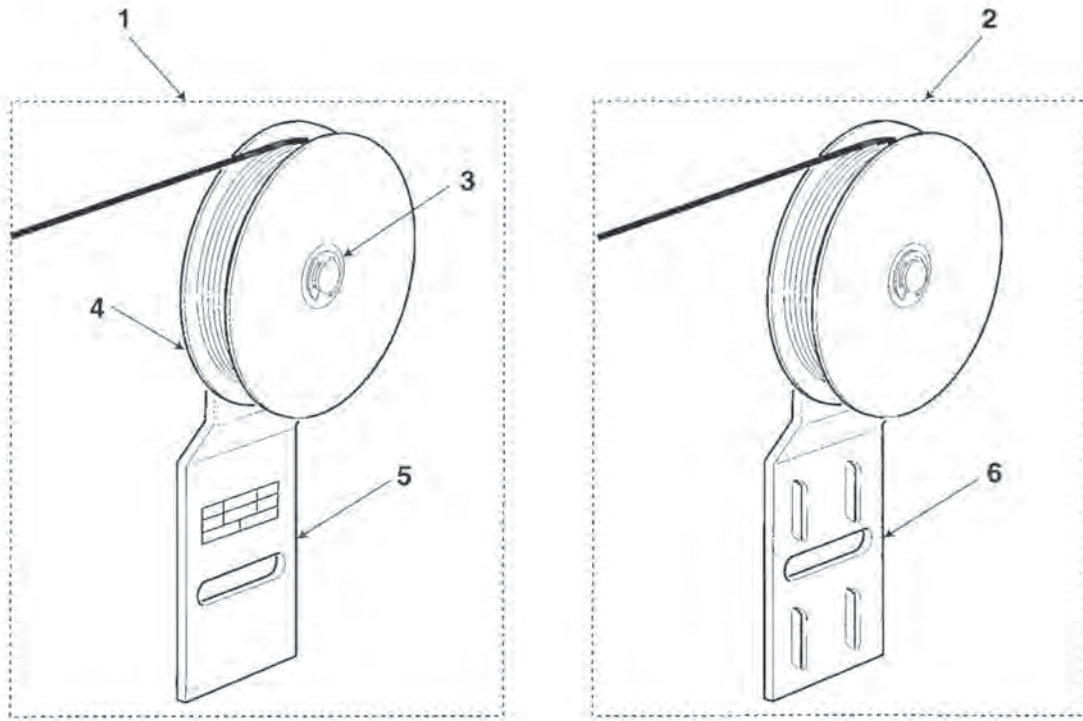
Ref. No.	Part No.	Descriptions
----------	----------	--------------

1.	<b>A6940AD1</b> <b>A6940AD2</b>	Weight closer, C/O doors & <b>7087</b> or integral hangers S/S & 2/S Doors & <b>7087, 7060</b> or integral hangers
2.	<b>283FC1</b>	Angle
3.	<b>299YM1</b> <b>299YM2</b>	Bar, weight, 10.0" long Bar, weight, 16.0" long
4.	<b>59BP1</b> <b>59BP3</b>	Bolt, special, 1.82" x 5/16"-18 UNC Bolt, special, 1.38" x 5/16"-18 UNC
5.	<b>174AS3</b> <b>174AS21</b>	Cable 1/8" x 7'-8" Cable 1/8" x 9'-0"
6.	<b>336GF1</b>	Clamp
7.	<b>A325P1</b> <b>A325P2</b>	Cup, polyurethane green, 3/32" wall thickness, for 1" x 2-1/4" trough Cup, polyurethane red, 1/16" wall thickness, for 29/32" x 2-5/32" trough
8.	<b>81AX1</b>	Pin
9.	<b>386AKS1</b>	Plate, clamp, 1-7/16" x 1-1/2"
10.	<b>265BD5</b> <b>265BD3</b>	Sheave assembly with bolt 59P3 Sheave assembly with bolt 59P1
11.	<b>336GG1</b>	Clamp
12.	<b>91B17</b>	Spring
13.	<b>393BA1</b>	Trough, 6' 7-1/2"

**OTHER DOOR CLOSER RELATED PARTS CAN BE FOUND IN APPENDIX C**



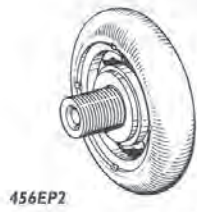
# Door Systems: Closers - Retractable Reel (Spirator) Closer Assembly



Ref. No.	Part No.	Descriptions
1.	A6940AN1	Spring, closer, w/ mounting bracket, RH
	A6940AN2	Spring, closer, w/mounting bracket, .5" off set
2.	B6940AN1	Spring, closer, w/offset bracket, RH
	B6940AN2	Spring, closer, w/offset bracket, LH
	3-6940AN1	Spring, closer, w/bracket (used w/ Type 'O' Operator)
3.	172DR6	Retaining ring
4.	A6940AR1	Spirator, without bracket RH or LH
5.	316DER2	Bracket, offset
6.	A299ADP2	Bracket
	A299ADP3	Bracket, offset

**OTHER DOOR CLOSER RELATED PARTS CAN BE FOUND IN APPENDIX C**

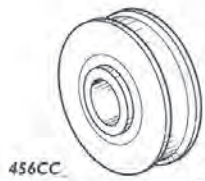
# Door Systems: Hoistway & Car Hanger Rollers



456EP2



Side View



456CC1



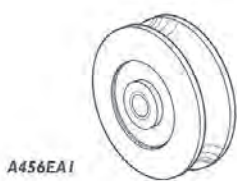
Side View



456CC2



Side View



456W1



Side View



A456W1



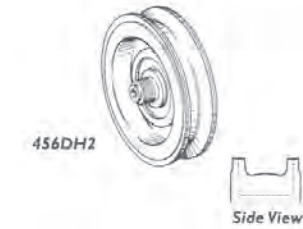
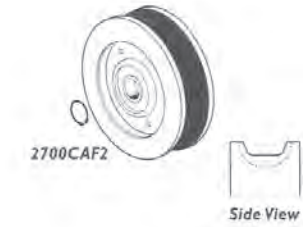
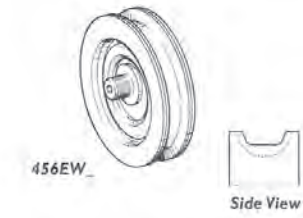
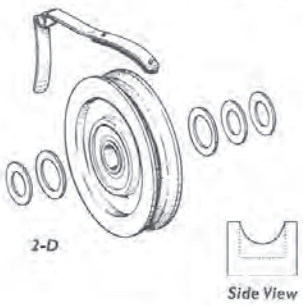
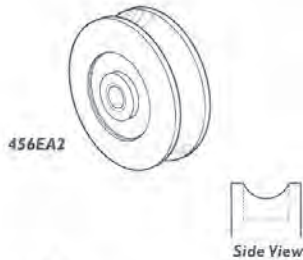
Side View

Part No.	O.D.	Width	I.D.	Descriptions
----------	------	-------	------	--------------

456EP2	2.31"	0.56"	-	Roller, steel, 1/2"-12 threads, assembly of round profile roller, ball bearing, bolt, & washer, used for 'B' hoistway door hangers, formerly p/n 456G1
456CC1	2.50"	0.76"	0.78"	Roller, steel, assembly of roller & (2) AAA127BT1 washers, used on door & hanger bracket for integral hoistway door hangers
456CC2	2.50"	0.76"	0.78"	Roller, poly tire, assembly of roller & (2) AAA127BT1 washers
456W1	2.97"	0.68"	0.98"	Hanger roller, w/ poly tire, steel, used for early 'A' hoistway door hangers
A456W1	2.97"	0.75"	0.50"	Door roller, w/ poly tire, used for 'A' hoistway door hangers & 6331AM car door hangers
A456EA1	3.00"	0.75"	0.50"	Door roller, used for 'A' hoistway door hangers

See appendix for a comprehensive listing of all door rollers (hanger and upthrust) which OTIS has used over the years.

# Door Systems: Hoistway & Car Hanger Rollers





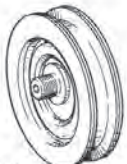




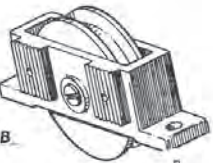

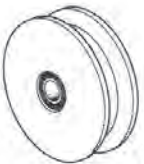
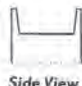
Part No.	O.D.	Width	I.D.	Descriptions
----------	------	-------	------	--------------

<b>A456EA2</b>	3.00"	0.75"	0.50"	Door roller, polyurethane, round track profile, w/ bearing
<b>2-D</b>	3.00"	0.68"	0.50"	<b>NH</b> roller, assembly of <b>GAL</b> roller & washers, 'A' sheave oiler cleaner, used for 'A' car door sheave assemblies
<b>456EW1-W/O PIN</b>	3.00"	0.80"	0.67"	Door roller w/ centered hub (no offset), assembly of wheel & bearing only, used for door hangers
<b>2700CAF2</b>	3.00"	0.80"	0.78"	Kit, roller, consisting of upper roller & retaining ring, used for hanger assemblies & early <b>OVL</b> hangers
<b>456EW1</b>	3.00"	0.80"	-	Door roller w/ centered hub, assembly of wheel, eccentric pin, & bearing, used for door hangers, <b>6193MV</b> hospital cars, & <b>7087</b> applied hanger brackets
<b>456EW2</b>	3.00"	0.89"	-	Door roller, assembly of wheel, ring, reversible eccentric pin, & bearing, formerly p/n 456CX4
<b>456DH2</b>	3.00"	0.80"	-	Hanger roller, w/ non-eccentric pin

See appendix for a comprehensive listing of all door rollers (hanger and upthrust) which OTIS has used over the years.

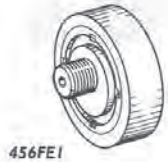


# Door Systems: Hanger Rollers & Vert Bi-Part Door Related Rollers

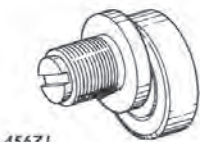
	Part No.	O.D.	Width	I.D.	Descriptions
	<b>AAA456XD1</b>	3.00"	0.80"	-	Door roller, w/ eccentric pin, used for later version <b>OVL</b> door hangers
	<b>CAA456B1</b>	3.00"	0.81"	-	Roller, assembly, 0.11" protruding shaft shoulder, 5/8"-18 thread - on eccentric, formerly TYLER type roller
	<b>CAA456B2</b>	3.00"	0.81"	-	Roller, assembly, 0.02" protruding shaft shoulder, 5/8"-18 threaded - on eccentric, formerly TYLER type roller
	<b>CAA456B</b>	3.00"	0.81"	-	Door roller, w/ eccentric roller & special locking ring, used on hanger roller assembly for <b>LRV</b> hydraulic elevator, formerly p/n ER-1
	<b>VP-843575</b>	3.00"	0.81"	-	Roller, round profile for 1/2" wide round track, w/ 1/8" protruding shoulder, 7/8" x 1/2"-20 Pin, TYLER replacement, used for hoistway door hangers
	<b>VP-843575</b>	3.00"	0.81"	-	
	<b>6547B2</b>	4.00"	1.06"	0.67"	Chain roller, assembly of roller, stand, bolt, & washer, left hand, used for power & manual operated vertical bi-parting hoistway doors
	<b>6547B1</b>	4.00"	1.06"	0.67"	Chain roller, assembly of <b>456AS2</b> roller, stand, bolt, & washer, right hand, used for power & manual operated vertical bi-parting hoistway doors
	<b>6547B1</b>	4.00"	1.06"	0.67"	
	<b>456AS2</b>	4.00"	1.06"	0.67"	Roller, steel, assembly of roller & (2) ball bearings, used for power & manual operated vertical bi-parting hoistway doors
	<b>456AS2</b>	4.00"	1.06"	0.67"	

See appendix for a comprehensive listing of all door rollers (hanger and upthrust) which OTIS has used over the years.

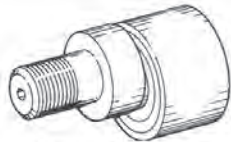
# Door Systems: Upthrust Rollers



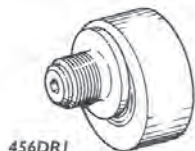
456FE1



456Z1



456FB1

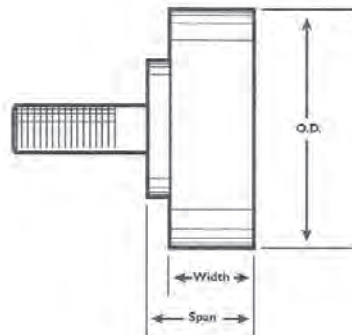


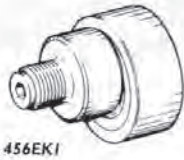
456DR1

Part No.	O.D.	Width	Span	Descriptions
----------	------	-------	------	--------------

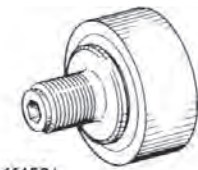
456FE1	1.38"	0.43"	0.74"	Roller, bearing & eccentric stud, M12 threads, used on hanger bracket for hoistway door assemblies & for <b>OVL</b> applied hangers
456Z1	0.78"	0.25"	0.39"	Ball bearing roller, w/ 3/8"-24 threaded eccentric threaded stud, w/ slot in stud, used for <b>B</b> hoistway door hangers
456FB1	1.00"	0.62"	1.06"	Roller, steel, 1.04" x 7/16"-20 threaded eccentric threaded stud, used for <b>7777A</b> center open operator assemblies
456DR1	1.38"	0.43"	0.60"	Roller, steel, assembly of ball bearing & 0.64" x 1/2"-20 threaded eccentric stud

See appendix for a comprehensive listing of all door rollers (hanger and upthrust) which OTIS has used over the years.

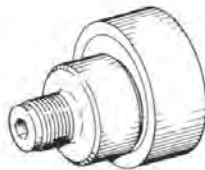




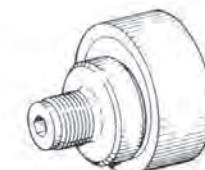
456EK1



456EB1



456CP1



456CP2

Part No.	O.D.	Width	Span	Descriptions
----------	------	-------	------	--------------

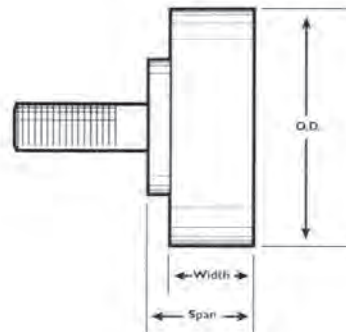
456EK1	1.38"	0.56"	0.91"	Roller, w/ 0.78" x 1/2"-20 threaded eccentric stud, used for 6193MV hospital cars
--------	-------	-------	-------	---

456EB1	1.38"	0.56"	0.69"	Roller, assembly of bearing & 0.81" x 1/2"-20, threaded eccentric stud
--------	-------	-------	-------	--

456CP1	1.38"	0.56"	1.09"	Roller, w/ poly tire, assembly of bearing & 1/2"-20 threaded eccentric stud, used for door hanger brackets & plunger electric elevators
--------	-------	-------	-------	---

456CP2	1.38"	0.56"	0.85"	Roller, w/ steel rim, assembly of bearing & 1/2"-20 threaded eccentric stud, used for hanger roller assemblies & 7087 applied hanger brackets
--------	-------	-------	-------	---

See appendix for a comprehensive listing of all door rollers (hanger and upthrust) which OTIS has used over the years.





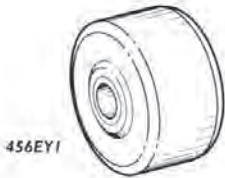
# Door Systems: Stop & Clutch Rollers & Screw Operator Related



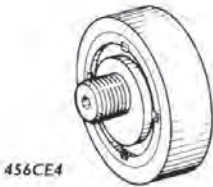
456ER1



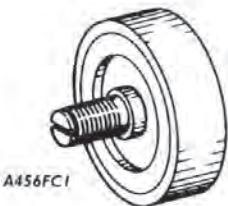
456AY2



456EY1



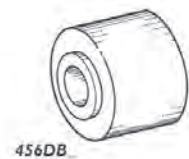
456CE4



A456FC1

Part No.	O.D.	Width	I.D.	Descriptions
456ER1	1.00"	0.45"	0.26"	Roller, nylon, used on <b>7777B</b> clutch vane assembly for door operators
456AY2	1.13"	0.75"	0.50"	Roller, steel, assembly of roller & bushing, used for <b>6044</b> operator engines
456EY1	1.56"	0.94"	0.31"	Stop roller, neoprene, used on <b>7782AA</b> engine assembly for harmonic drive <b>QL</b> operators
456CE4	2.00"	0.56"	-	Roller, used for <b>A6970F1 &amp; F2</b> door vanes
A456FC1	2.00"	0.62"	-	Hanger roller w/threaded stud, used for <b>A7777</b> single slide operator tubular track system.

## Door Systems: Door Interlock Related



Part No.	O.D.	Width	I.D.	Descriptions
456D1	0.50"	0.59"	0.25"	Catch roller, phenolic, used for <b>N &amp; NC</b> interlock switches
456BT2	1.00"	0.38"	0.27"	Roller, rubber, w/ bushing, used for <b>7080D</b> lock assemblies
456BT1	1.00"	0.48"	0.25"	Roller, rubber, w/ bushing, used on lever assembly for <b>7080A</b> interlock assemblies
2700AAY3	1.00"	0.48"	0.25"	Kit, roller, black, consisting of <b>456BT1</b> roller, <b>78C2</b> pin, & (2) cotter pins
456BB1	1.00"	0.50"	0.38"	Roller, steel, used for <b>6047A2</b> interlock switches
456AA1	1.22"	0.60"	0.38"	Striker roller, w/ chamfer, used for No. 3 & <b>3-A</b> door locks, <b>L</b> door interlocks, <b>LA</b> door locks
456DB5	1.50"	0.97"	0.57"	Roller, polyurethane, used for <b>A7080D</b> lock assemblies
456DB3	1.50"	1.00"	0.57"	Roller, polyurethane, used for <b>7080D</b> Interlocks

See appendix for a comprehensive listing of all door rollers (hanger and upthrust) which OTIS has used over the years.

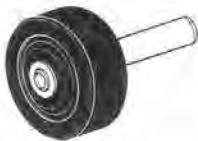
# Door Systems: Door Interlock Related



456DB4



456DB1



456C1



456ET1

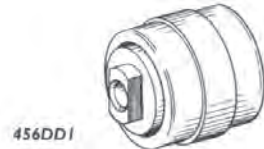
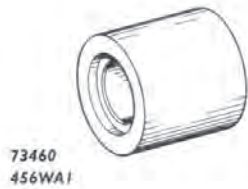


YYJ0456BN2

Part No.	O.D.	Width	I.D.	Descriptions
456DB4	1.50"	1.12"	0.57"	Roller, polyurethane, used for <b>A7080D</b> lock assemblies
456C2	1.50"	1.16"	0.75"	Roller, rubber, used on hatch door lock for <b>B6940C</b> interlock switches & for <b>7080D</b> lock assemblies
456DB1	1.50"	1.25"	0.57"	Roller, polyurethane, used for <b>7661</b> interlocks
456C3	1.50"	1.28"	0.75"	Roller, rubber, used on hatch door lock for <b>B6940C</b> interlock switches, for <b>7080D</b> lock assemblies, & for <b>AB</b> door operators
456C4	1.50"	1.53"	0.75"	Roller, rubber, used on <b>6940D</b> door closers & for <b>7080D</b> lock assemblies
456C1	1.50"	1.63"	0.75"	Roller, rubber, assembled w/ bushing, used on hatch door lock for <b>N &amp; NC</b> interlock switches
456ES1	1.56"	0.87"	0.32"	Roller, w/ rubber tire, assembly of <b>456ET1</b> roller, washer, & shaft, used for <b>7740</b> door lock assemblies
456ET1	1.56"	0.87"	0.32"	Roller, used for <b>456ES1</b> assemblies
YYJ0456BN2	2.00"	0.75"	0.50"	Kit, roller, consisting of drive roller, ball bearing, & retaining rings, used for <b>OVL</b> interlock assemblies, formerly p/n 2700CAG1



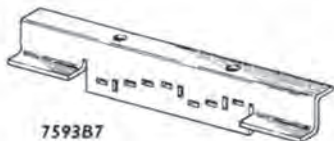
## Door Systems: Closer, Guide, Safety Shoe & Holder Related



Part No.	O.D.	Width	I.D.	Descriptions
----------	------	-------	------	--------------

73460	1.50"	1.50"	0.64"	Roller, phenolic, used on sill trip for <b>4B</b> , <b>4PA</b> , & <b>4PB</b> hoistway door closers Special order only
456WA1	2.00"	2.00"	1.02"	Roller, phenolic, gray, w/ 0.03" chamfer, used on sill trip for a hoistway door closers
456DD1	0.50"	0.56"	-	Door guide anti-friction roller, used for <b>7593B4</b> door guide assemblies
456DE1	0.88"	0.19"	0.38"	Roller, brass, used for <b>6993AL</b> safety shoes
A456R2	1.44"	0.78"	0.22"	Roller, foam rubber, used for <b>HP2000</b> & <b>HP1500</b> plunger electric elevators & <b>6993D</b> car door safety shoes
75706	-	-	-	Lever roller, assembly of roller, lever, & pin, used for door holding device interlock rollers Special order only

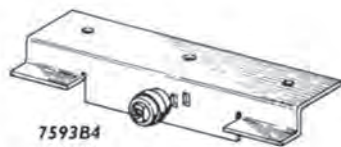
# Door Systems: Sliding Guide Gibs & Door Gibs



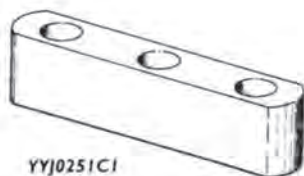
7593B7

YYJ0251C1 76.00 16.00 12.70

Dimensions in millimeters. Laminated rubber and canvas, (3) holes w/ 6mm O.D., 9.5 mm counterbore



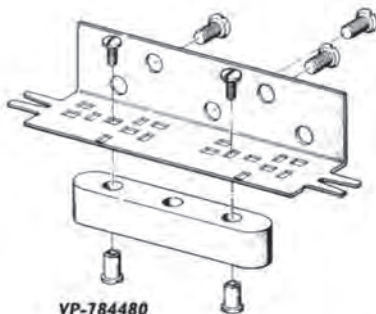
7593B4  
7593B2



YYJ0251C1

**GIBS SHOWN HERE ARE NOT OSC's COMPLETE OFFERING. PLEASE SEE DETAILED LIST OF ALL DOOR BOTTOM GUIDES & RETAINERS IN APPENDIX B.**

Part No.	Length	Width	Depth	Descriptions
----------	--------	-------	-------	--------------



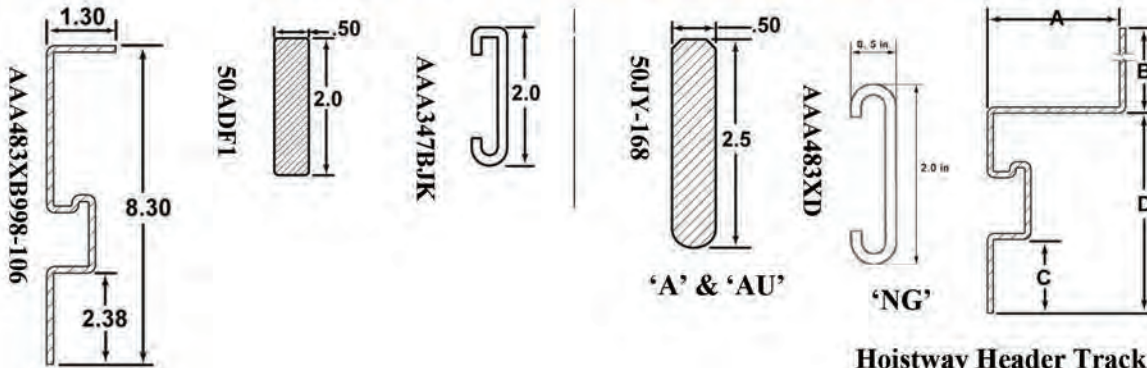
VP-784480  
VP-785000  
VP-784550  
VP-784500

VP-784480	3.00"	0.46"	0.46"	EpcO "C" white door gib, with chassis and hardware
VP-785000	3.00"	0.46"	0.46"	EpcO "CG" black door gib, with "D4" 1-1/8" chassis and hardware
VP-784550	3.00"	0.50"	0.50"	EpcO "D3" blue door gib, with hardware, without chassis
VP-784500	3.00"	0.53"	0.46"	EpcO "H" green door gib, with chassis and hardware

HIGHEST QUALITY PRODUCTS • UNBEATABLE CUSTOMER SERVICE

# HEADERS AND TRACKS SHAPES

HEADERS & TRACKS



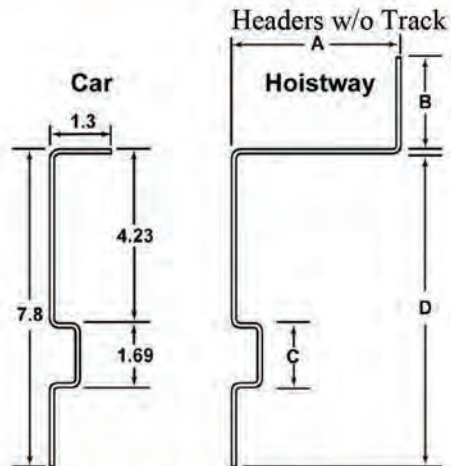
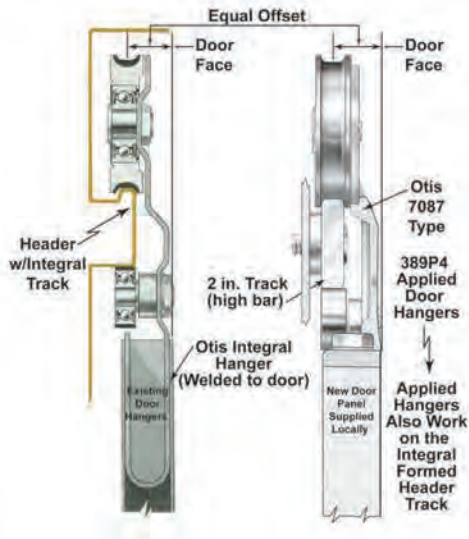
Doing a modernization having Otis doors with integral door hangers and/or an Otis integral formed header track?

Do you need to retain headers, install new tracks, or new headers?

OSC has some solutions for you!

Hoistway Header Track

P/N	APPL	A	B	C	D
AAA483XB999	C/O	4.0	2.3	1.8	7.7
AAA483XB997	2Spd	5.5	2.3	1.8	7.7
OLDER OTIS VERSION HEADERS (special order only)					
50AEV-106	C/O	4	3.9	2.4	8.3
50AEV1-106	2Spd	5.5	3.9	2.4	8.3
1S-A50AEV-106	C/O	4	3.9	1.8	7.7
2S-A50AEV-106	2Spd	5.5	3.9	1.8	7.7



Hoistway Only	A	B	C	D
AAA50ANE1-106	4.0	2.25	1.94	7.6
AAA50ANE2-106	5.5			

Door Systems



HIGHEST QUALITY PRODUCTS • UNBEATABLE CUSTOMER SERVICE

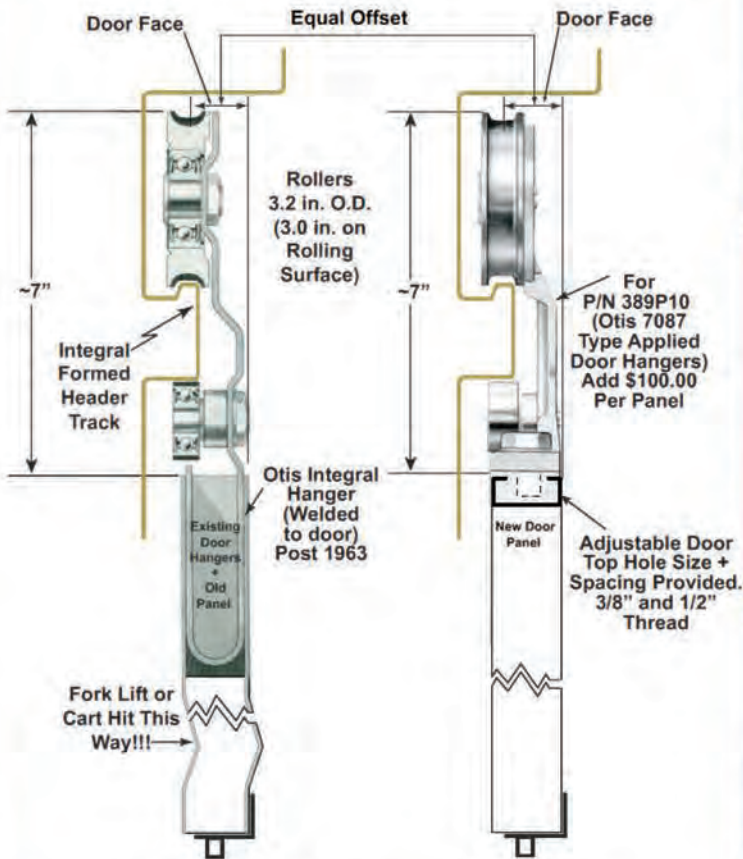
## DOOR PANELS (7') Replacement

5-7 Day, 13-15 Day or 7 to 8 week lead times available

Damaged Otis integral (welded in) car or hoistway panels? Don't change the header track!

New Panels Come With:

- |  |   |  |
|--|---|--|
| <input checked="" type="checkbox"/> Astragals        | <input checked="" type="checkbox"/> Bottom Guides | <input checked="" type="checkbox"/> Std. 6-7 |
| <input checked="" type="checkbox"/> Bottom Retainers | <input checked="" type="checkbox"/> Sight Guards  | Wk. Lead Time                                |



**NOTE:** Before placing a door panel order, ensure that the integral hanger is standard, which is seven inches in height.



Otis integral CAR door crash? Use one of these 389BA type hangers and reuse the traditional Otis T-bolt aircord hitches.



Post 1963 Otis integral HOISTWAY door crash? Use two of these 389P10 hangers and change just one bolt to reuse aircord drive



No problem in adapting either 2Spd or C/O aircord drive hitches, just use this hex bolt in place of the slot head bolt.

Emergency shipping response available on the following entrance types: 36" S/S, 42" C/O, 42" S/S, 48" 2-Spd. (stainless steel #4 or pearl enamel).

DOOR PANELS (7') REPLACEMENT

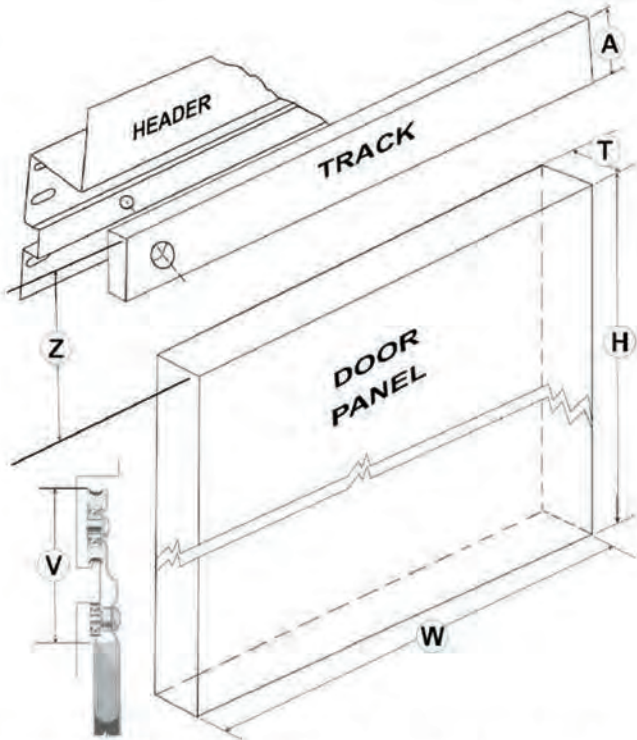


HIGHEST QUALITY PRODUCTS • UNBEATABLE CUSTOMER SERVICE

DOOR PANEL SURVEY

Fill in or circle information to complete the Door Panel Survey

Customer Name: \_\_\_\_\_ Cust #: \_\_\_\_\_ Phone #: \_\_\_\_\_



Hand (standing inside car looking out—door opens which way?):

- Right
- Left

Existing Hanger Type:

- Integral (welded-in) - \*NOTE\*
- or Applied (bolt-on)

Door Type:

- Car or Hoistway
- Otis or Non-Otis

Opening Type:

- C/O S/S
- 2Spd 2Spd C/O

Material & Finish:

- Stainless Steel, Bronze,
- or Baked Enamel
- Brushed or Mirror

Actual Opening Width in Inches (side jamb to side jamb): \_\_\_\_\_

Actual Opening Height in Inches (head jamb to sill): \_\_\_\_\_

Total Qty of Entrances for which new door panels are needed: \_\_\_\_\_

Qty of Panels per Opening: \_\_\_\_\_ Approx. Installation Date: \_\_\_\_\_

H (panel dimension, in.): \_\_\_\_\_ A (track height): \_\_\_\_\_

T (panel dimension, in.): \_\_\_\_\_

V (present hanger height—door top to top edge of hanger, in.): \_\_\_\_\_

W (panel dimension, in.): \_\_\_\_\_

Z (in.) [roller contact surface of track to box portion of door top]: \_\_\_\_\_

**\*NOTE\***  
Old integral hanger door panels are replaced with new applied panels and appropriate Otis door hangers.

\*\*\*\*\*  
OSC will quote/supply door panels per following assumptions unless otherwise marked:

- 1/4 in. door bottom to sill
- 1/4 in. shim between hanger and door top
- 2 in. existing track height, 1/2 in. track thickness

ALL Baked Enamel panels come Pearl White color, unless specified otherwise.

Preferred Lead-time

- 5-7 days
- 13-15 days
- 7-8 weeks

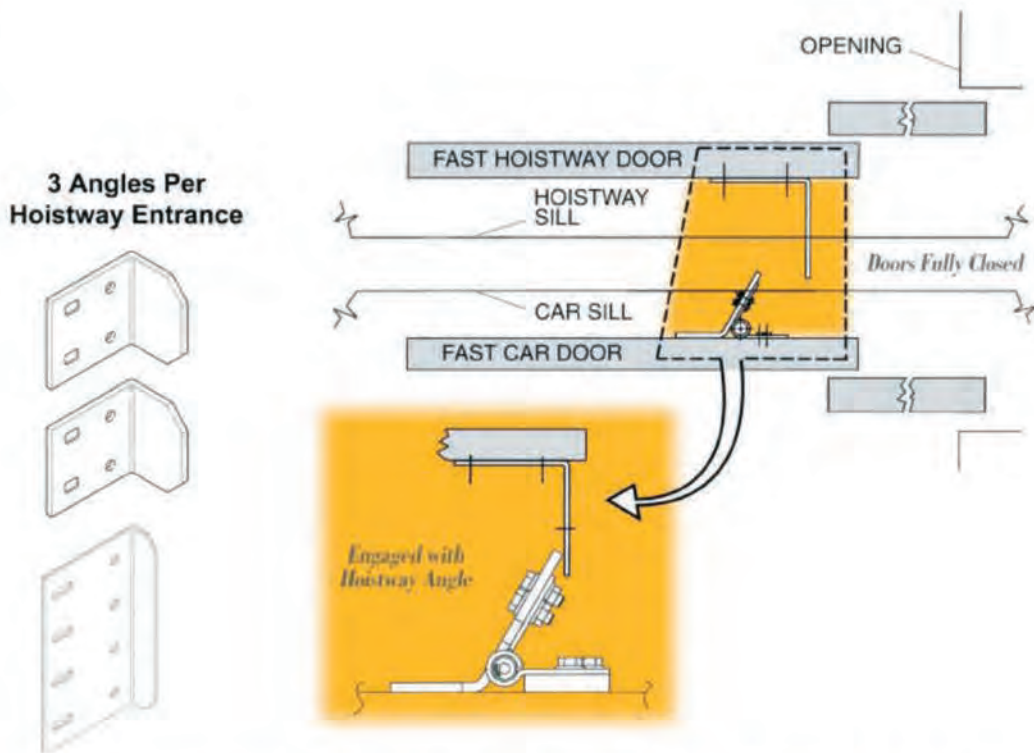
Door Systems

HIGHEST QUALITY PRODUCTS • UNBEATABLE CUSTOMER SERVICE

## FOLDING DOOR RESTRICTOR

**Be Code compliant with our low cost and maintenance free folding door restrictors.**

FOLDING DOOR RESTRICTOR



- *Maintenance-Free Evacuation Deterrent Device (Standard 84 in or 96 in.)*
- *Code Compliant*
- *Universal Application*



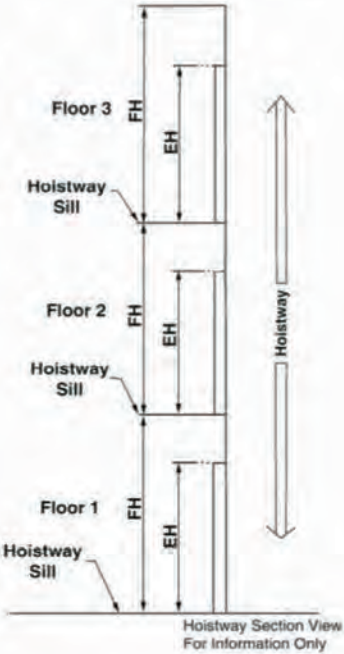
HIGHEST QUALITY PRODUCTS • UNBEATABLE CUSTOMER SERVICE

FOLDING DOOR RESTRICTOR SURVEY

FOLDING DOOR RESTRICTOR

NOTE: Use one survey sheet per car, unless all dimensions and landing configurations are the same.

Floor Number	Entrance Height (EH)	Hoistway Floor Height (FH)
1		1-2
2		2-3
3		3-4
4		4-5
5		5-6
6		6-7
7		7-8
8		8-9
9		9-10
10		10-11
11		11-12
12		12-13
13		13-14
14		14-15
15		15-16
16		16-17
17		17-18
18		18-19
19		19-20
20		



NOTES:

1. Please specify at which landing any rear entrances are located.
2. The table should have one more measurement for Entrance Heights than there are Hoistway Floor Heights.
3. Above 20 floors, contact Unitec® for restrictor options.

**Fill Out:**

Opening Type:

- Center-Opening
- Single-Slide
- Two-Speed

Number of Cars: \_\_\_\_\_ Number of Openings per Elevator: \_\_\_\_\_

Quantity of Front Entrances: \_\_\_\_\_ Quantity of Rear Entrances: \_\_\_\_\_

If you have Otis type 6940 door locks, provide length of car vane (cam) on the car door: \_\_\_\_\_

Are There Sill Mounted Closers?

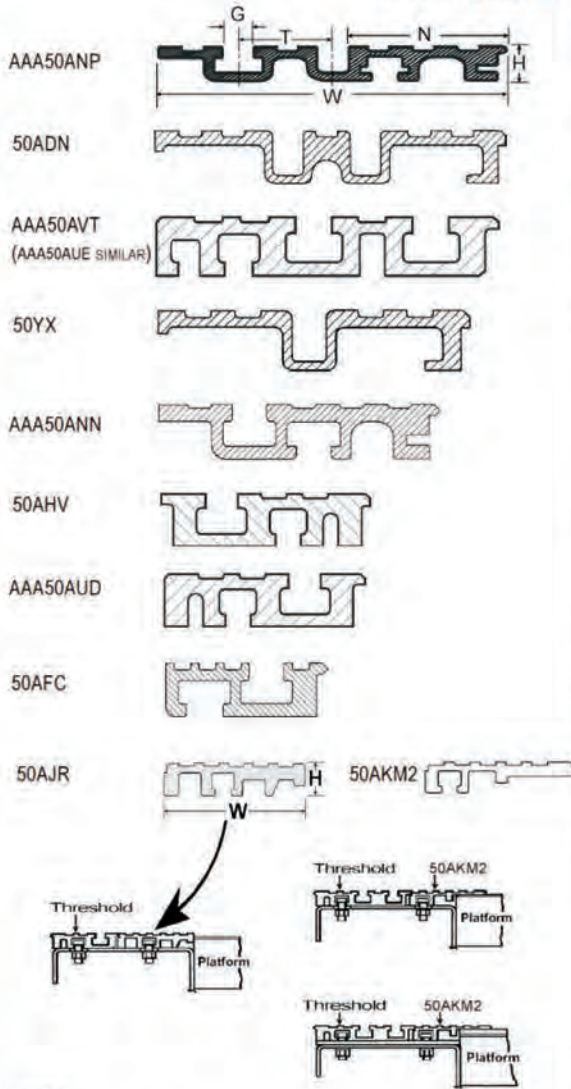
- Yes
- No

Door Systems

HIGHEST QUALITY PRODUCTS • UNBEATABLE CUSTOMER SERVICE

## Otis Sills and Thresholds

OTIS SILLS AND THRESHOLDS



**NOTES:**

- W = Member Width
- N = Nose to 1<sup>st</sup> Groove Edge
- H = Member Height
- G = Groove Width
- T = Distance between Grooves on 2/S Members
- AL, -41 = Aluminum
- BR, -7 = Bronze
- NS, -45 = Nickel Silver

The "nose" of the sill or threshold is the edge toward the hoistway side.  
Any longer length shapes can be special order cut to your request.

Opening	Hoistway Sills	W	H	T	N	G
C/O, S/S	50AFC-41-99	2.50	0.81	-	0.68	0.52
	50AFC-45-96					
	AAA50ANN-AL-104					
	AAA50ANN-7-120					
2/S	AAA50ANN-NS-96	5.75	1.56	-	2.62	0.53
	AAA50ANP-AL-120					
	AAA50ANP-7-81					
	AAA50ANP-7-120					
	AAA50ANP-45-81					

Opening	Car Thresholds	W	H	T	N	G
C/O, S/S	50AFC-41-99	3.32	0.82	-	2.12	0.53
	50AFC-45-96					
	50AHV-AL-72					
	50AHV-AL-144					
	50AHV-BR-72					
	50AHV-NS-72 or -84					
	AAA50AUD1-41-84					
	AAA50AUD1-7-84					
	50YX-41-108					
	50YX-7-108					
2/S	50YX-45-60	4.38	0.81	-	2.00	0.52
	50YX-45-84					
	50YX-45-108					
	50AHT-AL-68					
	50AHT-AL-88					
	AAA50AUE1-41-84					
	AAA50AVT-7-84					
	AAA50AVT-45-84 or -92					
	50ADN-41-72					
	50ADN-41-108					
2/S	50ADN-7-72	5.56	0.81	1.25	2.00	0.52
	50ADN-7-84					
	50ADN-7-108					
	50ADN-45-60					
	50ADN-45-72					
	50ADN-45-84					
	50ADN-45-108					
	50ADN-45-144					

Threshold Extensions	W	H
50AJR-7-48	3.76	0.82
50AJR-41-48		
50AJR-41-144		
50AJR-45-48		
50AKM2-AL-144		

Part Number Nomenclature: 50AFC-45-96





# Door Systems: Appendix A - Astragals, Sight Guards & Door Bumpers

p/n	DESCRIPTION	COLOR	CROSS REF. LOCATION	SHAPE REF.
50ADC-88	SIGHT GUARD, BLACK PLASTIC - MALE (2.6 X 1.9)		DOLK 2.17	
A50ADC-88	SIGHT GUARD, BLACK PLASTIC - MALE (2.3 x 2.2")		DOLK 2.17	
50ADD-88	SIGHT GUARD, BLACK PLASTIC - FEMALE (2.6 X 1.9)		DOLK 2.18	
A50ADD-88	SIGHT GUARD, BLACK PLASTIC - FEMALE (2.3 x 2.2")		DOLK 2.18	
50ACV-86	SHIELD, BLACK PLASTIC		DOLK 2.20	CONTACT UNITEC SHOULD YOU DESIRE THE NEXT LEVEL UP SIGHT GUARD 278BG
50ACV-120	SHIELD, BLACK PLASTIC		DOLK 2.20	
1S-50AHM-108	SIGHT GUARD, 2" x 1.2" (used w/astragal 402FA & retainer A384PE) (see p. 29)		DOLK 2.21	
50AGK1	ASTRAGAL w/o HOLES - BY THE FOOT - 1.18" WIDTH		OSC SPC 26.01	50AGK2
50AGK2	ASTRAGAL w/o HOLES - BY THE FOOT - 2.5" WIDTH		OSC SPC 26.01	AAA50ATK (not sold)
402FA2	ASTRAGAL, 89.5" L - (4" SPACING)		OSC SPC 26.01	AAA50ATK (not sold)
AAA402ZW1	ASTRAGAL w/4" SPACED HOLES - ~181" L x 1.31" WIDE		OSC SPC 26.01	AAA50ATK (not sold)
AAA402ZW2	ASTRAGAL w/4" SPACED HOLES - ~101" L x 1.31" WIDE		OSC SPC 26.01	AAA50ATK (not sold)
AAA402ZW3	ASTRAGAL w/4" SPACED HOLES - 113" L x 1.31" WIDE		OSC SPC 26.01	AAA50ATK (not sold)
AAA402ZW4	ASTRAGAL w/12" SPACED SLOTS - ~85" L x 1.31" WIDE		OSC SPC 26.01	
AAA402ZW5	ASTRAGAL w/12" SPACED SLOTS - ~97" L x 1.31" WIDE		OSC SPC 26.01	AAA50ATV (not sold)
AAA402ZX3	ASTRAGAL w/12" SPACED SLOTS - ~113" L x 2.5" WIDE		SPL 19-AAA24479E	AAA50ATV (not sold)
AAA402ZX4	ASTRAGAL w/12" SPACED SLOTS - ~88" L x 2.5" WIDE		SPL 19-AAA24479E	AAA50ATV (not sold)
AAA402ZX5	ASTRAGAL w/12" SPACED SLOTS - ~98" L x 2.5" WIDE		SPL 19-AAA24479E	AAA50ATV (not sold)
AAA402AAF10	ASTRAGAL, 84" EH - used with AQE sight guards			
AAA402AAF11	ASTRAGAL, 96" EH - used with AQE sight guards			
AAA402AAF12	ASTRAGAL, 108" EH - used with AQE sight guards			
402DS1	ASTRAGAL - MALE, 84.5" LONG		OSC SPC 26.01	
402DR1	ASTRAGAL - FEMALE, 84.5" LONG		OSC SPC 26.02	50ACF (not sold - use 402EG1)
402EG1	ASTRAGAL MALE - FOR LEADING EDGE OF CAR DOOR - 90" LONG (MATES WITH 402EH1)		OSC SPC 26.02	50ACG (not sold - use 402EH1)
402EH1	ASTRAGAL FEMALE - FOR LEADING EDGE OF CAR DOOR - 90" LONG (MATES WITH 402EG1)		OSC SPC 26.02	
384JM3	SIGHT GUARD - 83.5" L (start holes 7/8" from end)	WHITE	OSC SPC 26.05	
384JM6-SS4	SIGHT GUARD - 83.5" L (20" SPACING)		OSC SPC 26.05	
384JM8	SIGHT GUARD - 83.5" L (start holes 1.75" from end)	WHITE	OSC SPC 26.05	
384JM8-BLACK	SIGHT GUARD - 83.5" L	BLACK	OSC SPC 26.05	
384JM9-BR7	SIGHT GUARD - 83.5" L (start holes 1.75" from end)		OSC SPC 26.05	
384JM9-SS4	SIGHT GUARD - 83.5" L (start holes 1.75" from end) (16" SPACING)		OSC SPC 26.05	
384JM10	SIGHT GUARD - 95.5" L	WHITE	OSC SPC 26.05	
384JM11-BR7	SIGHT GUARD - 95.5" L		OSC SPC 26.05	
384JM11-SS4	SIGHT GUARD - 95.5" L		OSC SPC 26.05	EW0 & EW1 most popular colors
AAA384AQE10*	SIGHT GUARD - 84.5" L		SPL 25-AAA23101P	EW0 & EW1 most popular colors
AAA384AQE11*	SIGHT GUARD - 96.5" L		SPL 25-AAA23101P	EW0 & EW1 most popular colors
AAA384AQE12*	SIGHT GUARD - 108.5" L		SPL 25-AAA23101P	
AAA384ZF_	SIGHT GUARD (special order only - Contact UNITEC)		HPLIM	
320AB2	BUMPER, (2-HOLE) 2.1 X 1.5 X .88 THICK (for AU hangers)			
320AB4	BUMPER, (2-HOLE) 2.1 X 1.5 X .44 THK (for AU hangers)			
320AB8	BUMPER, 1.8 X 1.5 X .88THK (1-HOLE)			
320AB12	BUMPER, 2.7 X 1.2 X .88 THK (1-HOLE) (for MOD tracks & hangers)			
320AD2	BUMPER, 2.1 X 1.6 w/STEP (for pre-1958 AU hangers)			
320AP1	BUMPER, 1" diam stepped down to 11/16" diam (1/2" prot x 1.12" long OA)			
320AP2	BUMPER, 1" diam stepped down to 11/16" diam (3/4" prot x 1.38" long OA)			
320AP3	BUMPER, 1" diam stepped down to 11/16" diam (5/16" prot x .94" long OA)			
320CV2	BUMPER, 1" diam stepped down to 5/8" diam (1/4" prot x .88" long OA)			
320BS1	BUMPER, RETURN - w/ 7/8" dia C'BORE 1.5" DIAM x 1.44" LONG			
477EE1	BUMPER, RETURN - 1.38" DIAM w/3/8" THREADED STUD x 4" L OA			
477EE1	BUMPER, RETURN - 1.38" DIAM w/5/16" THREADED STUD x 2.25" L OA			
A477FH3	BUMPER, RETURN - 1.5" DIAM w/3/8" THREADED STUD x 3.1" L OA			
444BL1	BUMPER, FLAT - ~13/16" DIAM (LOWER STRIKE COLUMN)			
AAA320EG1	BUMPER - 7/8" DIAM, w/M6 THREADED STUD - NG DOOR SYSTEMS			
VP-702430	ASTRAGAL, FOR 84.5" MOD DOOR PANELS - USED w/ ARL SIGHT GUARDS			
VP-702435	ASTRAGAL, FOR 95.5" MOD DOOR PANELS - USED w/ ARL SIGHT GUARDS			

## Door Systems: Appendix B - Door Bott. Guides, Gibs, Retainers

PART NUMBER	DESCRIPTION	
251AW1	GIB INSERT L=3.5" w/GROOVE AROUND 3 EDGES	
251BJ1	GIB INSERT L=3" w/3 HOLES - GREY (APPL: 7593B1,B3)	
YYJO251C1	GIB, RUBBER LAMINATED (SILENT)	
AAA251DV1	GIB INSERT L=3" w/2 HOLES @ 2" SPACING (metric)	
AAA251EG1	GIB INSERT, L=2" (1/2" SQUARE) w/GROOVES EACH END	
AAA380CN400	TWO GIB SET, GROOVES EA END w/HANGER WIRE - NG DOOR SYSTEMS POST 2005	
7593B1		DOOR BOTTOM GUIDE ASSY w/251BJ1 - L=8", 3-HOLE BRACKET ea @ 3" SPACING
7593B2		DOOR BOTTOM GUIDE ASSY w/456DD1 - L=8", 3-HOLE BRACKET ea @ 3" SPACING
7593B3		DOOR BOTTOM GUIDE ASSY w/251BJ1 - L=6.25", 2-HOLE BRACKET @ 2.12" SPACING
7593B4		DOOR BOTTOM GUIDE ASSY w/456DD1 - L=8", 2-HOLE BRACKET @ 6" SPACING
7593B5		DOOR BOTTOM GUIDE ASSY w/SILENT GIB - L=8", 2-HOLE BRACKET ea @ 6" SPACING
7593B6		DOOR BOTTOM GUIDE ASSY w/SILENT GIB - L=8", 3-HOLE BRACKET ea @ 3" SPACING
7593B7		DOOR BOTTOM GUIDE ASSY w/SILENT GIB - L=6.25", 2-HOLE BRACKET @ 2.12" SPACING
7593B8		GUIDE ASSEMBLY L=3.25" - SPECIAL - FOR FLAT BOTTOM DOORS - 2.12" HOLE SPACING
7593B9		WEATHER RESISTANT LONGER LIFE VERSION OF 7593B1
7593B10		5 HOLE GUIDE - LONGER LIFE VERSION OF 7593B1 - UHMW WHITE GIB (TWO HOLE SETS: 3 @ 3" SPACING & 2 @ 2.5" SPACING)
AAA24479C400	DOOR BOTTOM GUIDE ASSY w/AAA251DV1 L=~6-1/4", 4-HOLE BRACKET ea @ 4.5" SPACING	
AAA24479AAA9	DOOR BOTTOM GUIDE ASSY (SILENT CAR SIDE) w/YYJO251C1 L=~6-1/4", 4-HOLE BRACKET ea @ 4.5" SPACING	
AAA27050CH1	RIDE QUALITY DOOR BOTTOM GUIDE	
VP-790154	DOOR BOTTOM GUIDE KIT - FOR REPLACEMENT DOOR PANELS ~2004 & LATER	
VP-790153	EPCO CD-3 GIB KIT - .46" WIDE WHITE GIB (FOR OTHER SIMILAR EPCO GIB KITS - CONTACT UNITEC)	
AAA385RF3	RETAINER, DOOR BOTTOM 3-3/4" LONG (ORDER ALSO TWO SCREWS: AAA124FS3)	
AAA124FS3	SCREW, STAINLESS - GIB & RETAINER MOUNTING	
AAA385SM400	RETAINER KIT, DOOR BOTTOM 2-3/4" LONG (COMES W/ 2 SCREWS)	



## Door Systems: Appendix C - Door Closer Related Parts

PART NUMBER	DESCRIPTION	
265BD3	PULLEY, AIRCORD w/GUARD	
265BD5	PULLEY, AIRCORD w/GUARD	
174AS3	AIRCORD, 7' 8" LONG	
174AS21	AIRCORD, 9 FEET LONG	
A325P1	GUIDE, WEIGHT (FOR TRAVELING WEIGHT CLOSER)	
A325P2	GUIDE, WEIGHT (FOR TRAVELING WEIGHT CLOSER)	
A6940AN1	CLOSER - RH, RETRACTABLE REEL (SPIRATOR) - SHOWN	
A6940AN2	CLOSER - LH, RETRACTABLE REEL (SPIRATOR) - SHOWN	
B6940AN1	CLOSER - RH, RETRACTABLE REEL (SPIRATOR) - SHOWN	
B6940AN2	CLOSER - LH, RETRACTABLE REEL (SPIRATOR) - SHOWN	
A6940AR1	CLOSER, REEL - w/o BRACKET  AS REFERENCE FOR PAGE CALLING OUT ITEMS BELOW -  INCLUDE DOTTED BORDER ILLUSTRATION FROM p. 3 of SPL: 26-6940D	
A316BKS17	RETROFIT CLOSER ASSEMBLY - 6" LONG BRACKET - RH DOOR SYSTEM	
A316BKS18	RETROFIT CLOSER ASSEMBLY - 6" LONG BRACKET - LH DOOR SYSTEM	
A316BKS19	RETROFIT CLOSER ASSEMBLY - 8" LONG BRACKET - RH DOOR SYSTEM	
A316BKS20	RETROFIT CLOSER ASSEMBLY - 8" LONG BRACKET - LH DOOR SYSTEM	



# Door Systems: Appendix D - Otis Door Hanger Rollers & Related

VINTAGE    PART NUMBER    DIAMETER\*\*    OV    DESCRIPTION    SPL REFERENCE

ALL DIAMETERS REFERENCED ARE TO THE ROLLING DIAMETER NOT THE OUTERMOST DIAMETER.

NOTE: FOR DOOR LOCK or LIMIT SWITCH ROLLERS - SEE OTHER APPROPRIATE CATALOG MODULE SECTIONS

VINTAGE	PART NUMBER	DIAMETER**	OV	DESCRIPTION	SPL REFERENCE
PRE-1998 OTIS DOOR SYSTEM APPLICATIONS	A456FC1	2		ROLLER, HANGER - SCREW OPERATOR (FOR TUBULAR TRACK)	
	456EP2	2.3		ROLLER, ALL STEEL 2.3" - SPHERICAL ROLLING SURFACE (B' TYPE HANGER APPL.)	C-1012
	456CC1	2.5		ROLLER, HANGER - ALL STEEL - (USED ON EARLY STRAIGHT INTEGRAL HANGERS AND 7060 HANGERS)	25-6178R, 25-7060A
	456CC2	2.5		ROLLER, POLY TIRED SERVICE REPLACEMENT FOR 456CC1	25-6178R, 25-7060A
				(OBSOLETE) - ROLLER w/o PERMANENT PIN (USES 77RK2 PIN) - REPLACED BY EITHER 456EW1 OR 456EW2. GENERALLY 2SPD DOOR PANELS SOMETIMES NEED HORIZONTAL CLEARANCE ADJUSTMENT 77RK2 ORIGINALLY ALLOWED FOR THAT ADJUSTMENT BY FLIPPING PIN AROUND. 456EW2 WILL ALLOW FOR THE SAME FLIPPING BY REMOVING RETAINING RING FROM PIN. FOR S/S OR C/O APPLICATIONS - OK TO USE 456EW1.	
	456CX4	3		ROLLER, HANGER - POLY TIRE - w/PERMANENT 1/2" ECCENTRIC PIN (REPLACES 456DH1 & 456CX4) GENERALLY ~1964 THRU 1968 APPLICATIONS	25-6178R
	456EW1	3		ROLLER - SAME AS 456EW1 EXCEPT REMOVABLE AND REVERSIBLE PIN (replaces 456CX4 in 2speed door applications)	25-6178R
	456EW2	3		ROLLER - SAME AS 456EW1 EXCEPT REMOVABLE AND REVERSIBLE PIN (replaces 456CX4 in 2speed door applications)	25-6178R
	2700CAF2	3		ROLLER, HANGER w/o PIN, w/RETAINING RING - (EARLY OVL DOOR APPLICATIONS WHERE PIN FASTENED PERMANENTLY ON HANGER)	
	456W1	3		ROLLER, EARLY TYPES A & AU HANGERS - .95 BEARING ID	
	A456W1	3		ROLLER, TYPES A & AU HANGERS - .5" BEARING ID	C-1011A, C-1053
	A456EA1	3		ROLLER, TYPES A & AU HANGERS - ALL STEEL - ROUND PROFILE	
	A456EA2	3		ROLLER, TYPES A & AU HANGERS - POLY TIRED SERVICE REPLACEMENT FOR A456EA1	
	456Z1	0.78	0.93	ROLLER, UPTHRUST w/3/8-24 STUD - TYPE 'B' HANGER APPLICATIONS	
	207Z4	1.38	1	ROLLER, UPTHRUST - FOR A & AU HANGERS	
	456FB1	1	1.75	ROLLER, UPTHRUST - STEEL FOR 7777 SCREW OP APPLICATIONS	
	456CP1	1.38	1.63	ROLLER, UPTHRUST - PERMANENT 1/2" ECCENTRIC PIN	
	456CP2	1.38	1.38	ROLLER, UPTHRUST - PERMANENT 1/2" ECCENTRIC PIN - STEEL RIM	
	456EK1	1.38	1.38	ROLLER, UPTHRUST - PERMANENT 1/2" ECCENTRIC PIN - (IDENTICAL TO 456CP2 EXCEPT SLIGHTLY LONGER REACH)	
	456DR1	1.38	1.1	ROLLER, UPTHRUST - FOR SHALLOW INTEGRAL HANGER DOOR SYSTEM APPLICATIONS (SEE B6331AS, AY, BC)	

VINTAGE	PART NUMBER	DIAMETER**	OV	DESCRIPTION	SPL REFERENCE
NON-OTIS & VENDOR ENTRANCE APPLICATIONS (GENERALLY 1980's & PRIOR)	456DH2	3		ROLLER, HANGER - 1/2-20 NON-ECCENTRIC STUD (CONVEX TIRE PROFILE) - VENDOR ENTRANCE APPLICATION	
	456DH3	3		ROLLER, HANGER - w/MULTI SLOT ECCENTRIC PLATE - 1/2-20 STUD w/3/4" PROTRUSION (REPLACES VP-B43575 & ER-1) - LOCKING CLIP FOR ECCENTRIC SLOT IS P/N LP-1	
	456DH4	3		ROLLER KIT, HANGER GAL TYPE w/WIPER - REPLACES 2-D	
	CAA456B1	3		ROLLER, HANGER - ROUND PROFILE 1/2" TRACK - 5/8-11 ECCENTRIC STUD, 1/8" SHAFT SHOULDER PROTRUSION - VENDOR ENTRANCE APPLICATION	
	CAA456B2	3		ROLLER, HANGER - ROUND PROFILE 1/2" TRACK - 5/8-11 ECCENTRIC STUD, 1/32" SHAFT SHOULDER PROTRUSION - VENDOR ENTRANCE APPLICATION	
	CAA456B3	3		ROLLER, HANGER - ROUND PROFILE 1/2" TRACK - 1/2-20 ECCENTRIC STUD, 1/8" SHAFT SHOULDER PROTRUSION - VENDOR ENTRANCE APPLICATION	

VINTAGE	PART NUMBER	DIAMETER**	OV	DESCRIPTION	SPL REFERENCE
POST-1998 OTIS DOOR SYSTEM APPLICATIONS	AAA456YA3	3		ROLLER KIT, HANGER - M12 THREADED YELLOW PLATED STUD w/HARDWARE - 1999 - 2005 APPLS & 2002 --> FOR MOD TRACK & HANGER APPLICATIONS - (LOOKS IDENTICAL TO 456EW1 EXCEPT FOR METRIC STUD)	
	AAA456YA4	3		ROLLER KIT, HANGER - w/M12 ECCENTRIC PERMANENT PIN w/HARDWARE (LATER OVL DOOR APPLICATIONS) - REPLACES AAA456XD1 (NOTE PROTRUDING SHAFT SHOULDER)	
	AAA456YA6	3		ROLLER KIT, HANGER - w/M12 ECCENTRIC PERMANENT PIN w/HARDWARE (SISTER UPTHURST IS AAA456XZ6)	19-AAA24520E
	AAA456ZB1	2.63		ROLLER, HANGER - NON-ECCENTRIC, ROUND PROFILE - M8 INTERNAL THREADED HUB - OTIS NG DOOR SYSTEMS - (MATING SCREW IS ISO7380M8X16-10.9B)	25-AAA23101P
	AAA456XZ5	1.38	1.45	ROLLER KIT, UPTHURST w/ HARDWARE - 7/16" THICK SHOULDER, M12 THREAD - 1999-2006 APPLICATIONS	19-AAA6178CT, 19-AAA24479E, 25-AAA23100Y
	AAA456XZ6	1.38	1.26	ROLLER KIT, UPTHURST - 1/4" THICK SHOULDER - REPLACES 2700CAF1 & 456FE1 - HALL OVL & CAR HPLIM APPLICATIONS - M12 THREAD	19-AAA24520E, 25-AAA23101J
	AAA456YP3	1.38	1.3	ROLLER, UPTHURST - USED IN MOD TRACK & HANGER APPLICATIONS - M12 STUD - (SISTER HANGER ROLLER IS AAA456YA3) - USED STARTING 2002	
	AAA456YZ1	0.79	0.93	ROLLER, UPTHURST - M8 INTERNAL THREADED HUB - OTIS NG DOOR SYSTEMS (MATING SCREW IS ISO7380M8X16-10.9B)	25-AAA23101P

\*\* ROLLER DIAMETER ARE MEASURED ON THE WORKING/ROLLING DIAMETER - NOT OUTER EDGE  
OV = Overall length of part end to end

VINTAGE	PART NUMBER	DIAMETER**	OV	DESCRIPTION	SPL REFERENCE
ROLLER RELATED HARDWARE	72AF2			NUT, 1/2-20 - FOR VARIOUS HANGER & UPTHURST ROLLERS USING EITHER PERMANENT OR REMOVABLE 1/2" STUDS	
	IS08675M12X1 25-04-Z			NUT, M12 FOR VARIOUS METRIC STUDDED HANGER AND UPTHURST ROLLERS	
	IS07380M8X16-10.9B			SCREW, METRIC M8 - FOR AAA456ZB1 & YZ1	25-AAA23101P
	65CA2			BOLT, 1/2-20 THREAD - FOR A & AU HANGER ROLLERS	
	77RK1			PIN, ECCENTRIC - FOR OLD 456CC APPLICATIONS	
	77RK2			PIN, ECCENTRIC - FOR OLD 456CX4 APPLICATIONS	



# Door Systems: Appendix E - Mod Track & Hanger Spare Parts

COMPONENT CATEGORY	OTIS MOD TRACK & HANGER PARTS		REMARKS
<i>HANGER ASSYS</i>	PART NUMBER	DESCRIPTION	USED FOR UPGRADES OR MODERNIZATIONS ONLY
	AAA456YA3	ROLLER, DOOR HANGER	
	AAA456YP3	ROLLER,UPTHRUST	
	AAA24510D1	DOOR HANGER ASSEMBLY, RH - 2.5" bolt spacing (1/2" bolts)	
	AAA24510D2	DOOR HANGER ASSEMBLY, LH - 2.5" bolt spacing (1/2" bolts)	
	AAA24510D3	DOOR HANGER ASSEMBLY, RH - 4-5/8" bolt spacing (1/2" bolts)	
	AAA24510D4	DOOR HANGER ASSEMBLY, LH - 4-5/8" bolt spacing (1/2" bolts)	
	AAA24510D5	DOOR HANGER ASSEMBLY, RH - 4-1/8" bolt spacing (1/2" bolts)	
	AAA24510D6	DOOR HANGER ASSEMBLY, LH - 4-1/8" bolt spacing (1/2" bolts)	
	OTHERS THRU D36		
	AAA347BJK1	TRACK,DOOR HANGER 132"	w/o holes or slots
	AAA347BJK2	TRACK,DOOR HANGER 74"	w/o holes or slots
	AAA347BJK3	TRACK,DOOR HANGER 75.5"	w/o holes or slots
	AAA347BJK4	TRACK,DOOR HANGER 76"	w/o holes or slots
	AAA347BJK5	TRACK,DOOR HANGER 86"	w/o holes or slots
	AAA347BJK7	TRACK,DOOR HANGER 90"	w/o holes or slots
	AAA347BJK8	TRACK,DOOR HANGER 101.25"	w/o holes or slots
	AAA347BJK9	TRACK,DOOR HANGER 66"	w/o holes or slots
	AAA347BJK10	TRACK,DOORHANGER 74.5"	w/o holes or slots
	AAA347BJK11	TRACK,DOOR HANGER 75"	w/o holes or slots

Notes: