



CLEAN UP THIS SURFACE

SEMIFINISHED METSEMENT ASSEMBLY
565 - MET SEGMENTS COPPER SPEC#8-PART
565 - INS. SEGMENTS 125
MICA PLATE SPEC
PART # 100
DRAWN BY

Otis Service Center

Reference Manual & Parts Catalog

45°

25" BOLT CIRCLE

13.3735" ROSE

1" TAP 1/2" DEEP FOR LIFTING
DO NOT BREAK THROUGH

3"

1"

REPLACED BY PART # 166C13

ONE COMMUTATOR COLLAR
C.S.S.P.C. V.L. PART # 366 MD-2
PART # 108327
COMM. COMPLETE - PART # 108328

DETAIL
NO. 8-33-C-SIX POLE MOTOR TRACTION M
COMMUTATOR-20 DIA. SURFACE
SCALE: HALF SIZE
OTIS ELEVATOR COMPANY-ENG. DEPT. N

366 MD

csemailorders@otis.com

Index

Carframe, Counterweight,
Slide & Roller Guides

Controller Related Components

Door Operators

Door Systems

Escalator Parts

Fixtures—General

Hall Lanterns & Position Indicators

Interlocks

Limit & Carframe Switches

Machines

Pushbuttons

Selectors & Top-of-Car Readers

Wire Rope & Governors

Tags, Tools, & Safety Equipment

REF. C-24-30-10000 SPEC. IN L&L...
REF. C-24-30-10000 SPEC. IN L&L...
REF. C-24-30-10000 SPEC. IN L&L...

ONE - COMMUTATOR CORE
C.I. SPEC. NEI - PART NO. 300-ND-1
PART NO. 10836
565 MET SEGMENT COMM-C

Getting Parts Just Got Easier

The Otis Service Center Customer Service group is your one-stop shop for all elevator and escalator parts. We hope this reference manual and parts catalog will assist you in identifying the parts you need, and remember, we are available to assist every step of the way. The catalog contains thousands of parts, organized into fourteen major sections. This catalog, together with other reference material (TIPs, Spare Part Leaflets, drawings), will help significantly with the part identification process.

Additional copies of this reference manual and parts catalog can be ordered from Customer Service, or directly through the Service Center's mainframe SDC system. Order as many as you need using the part number "ØSC PARTS CATALOG" (Ø=zero). There is a cost, plus shipping, however the catalog can save you hours of research time.

How to Place a Parts Order

There are several methods to place an order: order directly through the SDC system, send an email to the customer service GP mailbox, or call Customer Service directly.

Order through SDC

If you know the part number, the most efficient method for placing an order is to go direct into the SDC system and order the part.

Email Customer Service

Sending an email is an especially good option when call volume is high, or outside normal working hours. The Customer Service Representative will review your order, do the required research, and place the order regardless of the time of day or the real-time availability of a representative. To place an order via email, simply send the request to: csemailorders@otis.com. The process is most efficient when the following key information is included:

Part Number	Shipping Method
Contact Number	Ship to Attention
Contact Name	Ship to Address

Call Customer Service Especially for Urgent Orders and Special Handling

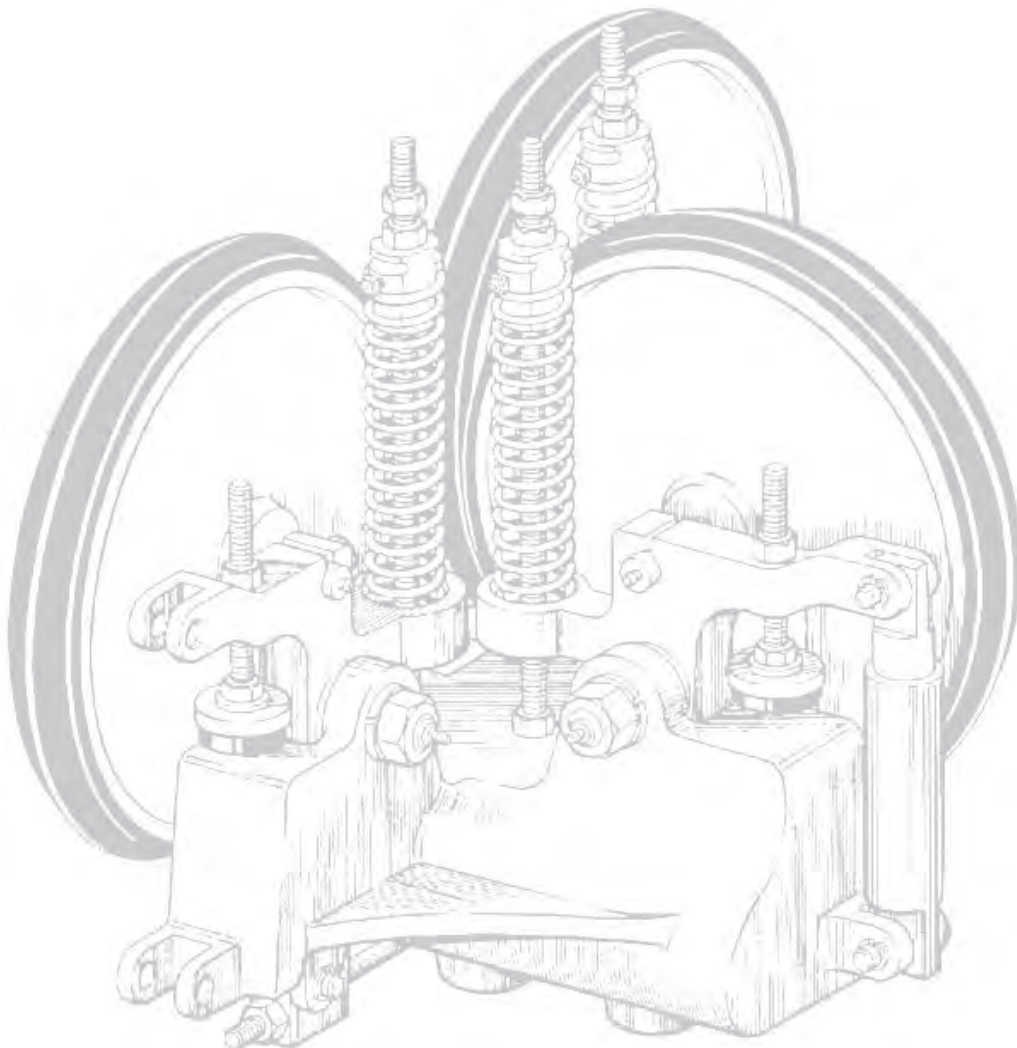
There are circumstances when it is important to call Customer Service (860-600-6847) directly. If you have an urgent or emergency order, or require special freight or other handling, please call OSC and provide these details to your representative. We want to ensure the timely delivery of the order which requires clear communication of any special handling requirements.



Carframe Counterweight Slide & Roller Guides

csemailorders@otis.com

OTIS



Notes About This Catalog Section

Terminology, Sizing Standards, and Use

- The primary measurements shown for parts are based upon their design drawings.
- Most measurements are provided in both Imperial units (for the United States) and metric units (for Canada, Mexico, etc.). If only one form of a measurement is provided, assume Imperial units (generally inches) unless otherwise stated.
- Most Imperial measurements are rounded to the nearest tenth or hundredth of an inch and most metric measurements are rounded to the nearest millimeter.
- The term “vintage” refers to the period of time in which the original equipment was manufactured. If installation records are not available, the vintage of a component may be determined from a vintage tag affixed to the component. Shown below are two types of vintage tags used on Otis equipment over the years.

14	R-AAA24179A
----	-------------

14	6161R	
Y	VINTAGE	Y 01
REV	EN	

Table of Contents

Notes About This Catalog Section 2

Roller Guides from Otis 5

Introduction 7

 Contemporary Guide Application Chart 7

 Car Roller Guides 7

 Counterweight Roller Guides 8

 Rail Size Chart 8

Roller Guides 9

 2-1/4-Inch Roller Guides: 6261B 9

 76 mm Roller Guides: KAA25830B 9

 76 mm Roller Guides with Spring-Loaded Postwise Rollers:
 KAA25830AAA 10

 76 mm Roller Guides: AAA24180AW 11

 3-Inch Round Roller Guides: 6161AA 12

 3-Inch Roller Guides: 6261AA 12

 3-Inch Roller Guides: 6261AB 13

 3-3/4-Inch Roller Guides: Type 6261P 14

 4-7/8-Inch Roller Guides: Type 6261AD 15

 125 mm Roller Guides: KAA24180A 16

 125 mm Roller Guides: KAA25830A 17

 160 mm Roller Guides: AAA24180AX 18

 7-7/8-Inch Roller Guides: Type 6261C 19

 200 mm and 260 mm Ultra Roller Guides: AAA24180AV 20

 10-Inch Roller Guides: Type 6261AM 21

Round Rail Guides 22

 3-Inch Slide Guide Shoes: 6161P 22

 3-Inch Slide Guide Shoes: 6161T 23

 3-Inch Slide Guide Shoes: 6161Y 24

 3-Inch Slide Guide Shoes: 237BB 24

Slide Guides 24

 Guide Shoes: KO237D 24

Carframe Counterweight Slide & Roller Guides

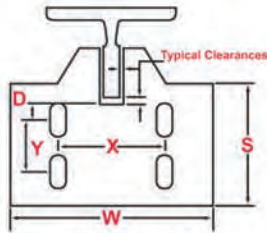
Table of Contents continued

Solid Guides for 6946F Carframes: A237F.....	25
FO237DS Guide.....	25
Slide Guide Shoes: 6161R.....	26
Residence, Passenger, and Freight (HP 1500 Model), Early Counterweights (5/8-Inch Rails): 6161A	27
Guide Shoes: AAA24179A.....	28
Slide Guide Shoes: AAA24179C.....	28
Solid Guides for 6946BS, BT, BV Carframes	29
Solid Guide Shoes with Gib for 6197A Carframes and 36 and 36C Roll Carframes: 501-VI-24	29
Slide Guide Shoes for 37C Roll Carframes and 5C, 8C, 12C, 14D, and 15RU Carframes: 6426	30
42 Roll: 62110	31
Guide Shoes for Plunger Electric Elevators with 8-Inch Uprights: 6161C.....	32
Slide Guides for Plunger Electric Elevators with 10-Inch Uprights: 6161D.....	32
Guide Shoe Bottom Guides for 25DB Carframe: 6161G	33
Guide Shoes for 30 Simplex and Duplex FGC Safeties: 501-VI-11	34
42L Bottom Guides: 6593	35
Flexible Slide Guide Shoes for 42L Bottom: 6161E.....	36
Guide Shoes for 60 Roll Safeties: 65311	37
Counterweight Solid Guides: 600020	38
Counterweight Solid Guide Shoes for Freight Applications: 76307.....	38
Swivel Guides	39
Bottom Swivel Guides for 36C Carframes: 67054.....	39
Swivel Guides for Multiple Applications: 501-VI-28.....	40
Swivel Guides for 5C, 8C, 14D, and 15R Carframes: 501-VI-30	41
Swivel Guides for 6A, 11, and 43 Wedge-Clamp Counterweight Safeties: 66677	42
Swivel Guides for Structural Frame Counterweights: 66674	43
Swivel Counterweight Guides for 6A Wedge-Clamp Counterweight Safeties: 64491	44
Swivel Slide Guide YYJO6261y type.....	45
CEMCO Type Guide	46

HIGHEST QUALITY PRODUCTS • UNBEATABLE CUSTOMER SERVICE

ROLLER GUIDES

ROLLER GUIDES



General Diagram, Dimension Variables
(to select guide see table)



KAA25830AAA1, 2, 3 (1 spring postwise)



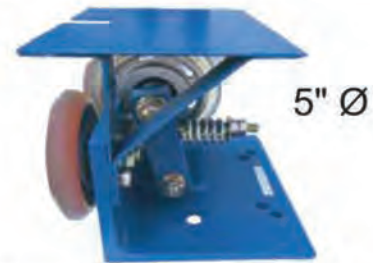
AAA24180AW type (no springs) shown
KAA25830B (no springs) similar



AAA24180AX type (no springs)



KAA24180A1,2,3 (fully sprung for car)



KAA25830A1, 2, 3 (1 postwise spring-cwt)



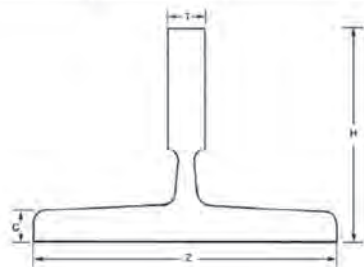
F6261C



B6261AM

OTIS

TYPE	Speed & Duty	Roller Guide Kit P/N w/ Hardware	Component Guides Part Number Ref.	Springs	Description and Roller Diameter	Rail Size(s)	Rail Blade Width	HOLE PATTERN & FOOTPRINT DIMENSIONS							
								HOLE SET	D	X	Y	W	S		
HYDROS	MAX 150 fpm (for HYDROS w/higher speeds, use KAA25830AAA3)	KAA25830B5	(2) B1, (2) B2	NO SPRINGS	Set of Four Guides w/hardware 3" diameter	#2	5/8"	1 Set Of Holes Only Per Guide	1.9	3.2	1.9				
	MAX 150 fpm (for HYDROS w/higher speeds, use KAA25830AAA3)	KAA25830B6	(2) B3, (2) B4	NO SPRINGS	Set of Four Guides w/hardware 3" diameter	#1, #1-1/2	5/8"		2.8	7.0	2.0	8.1	5.5		
COUNTERWEIGHTS	Max 350 fpm. & Max Cwt. 4750 lbs.	AAA27076AZ5	(2)AAA24180AW1 & (2) AW4	NO SPRINGS	Set of Four Guides w/hardware 3" diameter	#2	5/8"	1 Set Of Holes Only Per Guide	1.9	3.6	3.1	6.3	5.9		
	Max 350 fpm. & Max Cwt. 4750 lbs.	AAA27076AZ8	(2)AAA24180AW7 & (2) AW8	NO SPRINGS	Set of Four Guides w/hardware 3" diameter	#1, #1-1/2	5/8"		1.7	5.9	2.5	8.1	5.1		
	Max 500 fpm.	KAA25830AAA3	(2) AAA1, (2) AAA2	1 SPRING POSTWISE	Set of Four Guides w/hardware 5" diameter postwise, 3" diam F to B. [order adapter plate separately if needed]	#2, #1, #1-1/2	5/8"		SET 1	3.0"	4.25/5.5"	2.6	9.9	6.9	
	500 fpm. & up to 700 fpm.	KAA25830A3	(2) A1, (2) A2	1 SPRING POSTWISE	Set of Four Guides w/hardware 5" diameter	#1, #1-1/2	5/8"		SET 2		5.5"	3.0"			
	over 700 fpm.	F6261C9 w/F6261C400 KAA24180A3	Rail Dependent (2) A1, (2) A2	FULLY SPRUNG	7-7/8" roller guides Set of Four Guides w/hardware 5" diameter	3/4 #1, #1-1/2	3/4" 5/8"		N/A A	2.0	5.5	3.0	7.0 9.9	8.0 7.5	
ELEVATOR CARFRAMES	Max 350 fpm. & Max Duty: 2500 lbs	AAA27076AZ1	(2)AAA24180AW1 & (2) AX4	NO SPRINGS	Set of Four Guides w/hardware TOP: 3" diameter BOTTOM: 6-1/4" diameter	#2	5/8"	1 Set of Holes Only Per Guide	AW	1.9	3.6	3.1	6.3	5.9	
									AX	2.0	3.6	3.5	9.5	5.9	
	Max 350 fpm. & Max Duty: 5000 lbs. 12 ft Max from top to bottom guide	AAA27076AZ4	(2)AAA24180AW7 & (2) AX8	NO SPRINGS	Set of Four Guides w/hardware TOP: 3" diameter BOTTOM: 6-1/4" diameter	#1, #1-1/2	5/8"		AW	1.9	3.6	3.1	6.3	5.9	
									AX	2.0	3.6	3.5	9.5	5.9	
	Max 350 fpm. & Max Duty: 5000 lbs. 12 ft Max from top to bottom guide	AAA27076AZ2	(2)AAA24180AW2 & (2) AX5	NO SPRINGS	Set of Four Guides w/hardware TOP: 3" diameter BOTTOM: 6-1/4" diameter	#3/4	3/4"		AW	1.9	3.6	3.1	6.3	5.9	
									AX	2.0	3.6	3.5	9.5	5.9	
	Max 350 fpm. & Max Duty: 5000 lbs. 12 ft Max from top to bottom guide	KAA24180A3	(2) A1, (2) A2	FULLY SPRUNG	Set of Four Guides w/hardware 5" diameter	#1, #1-1/2	5/8"		A	2.0	5.5		3.0	9.9	7.5
									B	2.8	8.0				
	350fpm. to 500fpm Max Duty: 5000 lbs. 9 ft Max platform depth	KAA24180AAA3	(2) AAA1, (2) AAA2	FULLY SPRUNG	Set of Four Guides w/hardware 6-1/4" diameter	#1, #1-1/2	5/8"			2.06	5.38	3.00	9.75	7.62	
	350 fpm. to Max of 500 fpm.	F6261C7 w/F6261C400	(2) C1, (2) C4	FULLY SPRUNG	Set of Four Guides w/hardware 7-7/8" diameter	#1, #1-1/2	5/8"			2.0	5.5	3.0	7.0	8.0	
	350fpm. to Max of 500 fpm.	F6261C8 w/F6261C400	(2) C2, (2) C5	FULLY SPRUNG	Set of Four Guides w/hardware 7-7/8" diameter	#3/4	3/4"			2.0	5.5	3.0	7.0	8.0	
	(Best Ride Quality) Over 500 fpm.	B6261AM10	(2) AM3, (2) AM4	FULLY SPRUNG	Set of Four Guides w/hardware 10" diameter	#1, #1-1/2	5/8"			2.0	5.5	3.0	irreg.	irreg.	
	(Best Ride Quality) Over 500 fpm.	B6261AM9	(2) AM1, (2) AM2	FULLY SPRUNG	Set of Four Guides w/hardware 10" diameter	#3/4	3/4"			2.0	5.5	3.0	irreg.	irreg.	
(Best Ride Quality) Over 500 fpm.	B6261AM11	(2) AM5, (2) AM6	FULLY SPRUNG	Set of Four Guides w/hardware 10" diameter	#1/2	1-1/8"		2.0	5.5	3.0	irreg.	irreg.			
(Best Ride Quality) Over 500 fpm.	B6261AM12	(2) AM7, (2) AM8	FULLY SPRUNG	Set of Four Guides w/hardware 10" diameter	OA	1-1/4"		2.0	5.5	3.0	irreg.	irreg.			



Rail Designation	Weight (lb./ft.)	T	C (in.)	H (in.)	Z (in.)
#2	8.0	5/8	5/16	2/7-16	3-1/2
#1-1/2	12.0	5/8	5/16	3-1/2	5
#1	15.0	5/8	1/2	3-1/2	5
#3/4	18.5	3/4	---	---	5-1/2
#1/2	22.5	1-1/8	---	---	5-1/2
OA	30.0	1-1/4	---	---	5-1/2

Introduction

Contemporary Guide Application Chart

Car Roller Guides

Gen2R2 Limited Duty Car Roller Guide (bottom only):

9.5 in. (241 mm) wide x 5.9 in. (150 mm) deep base; 7.4 in. (188 mm) overall height

Guide Size	Part Numbers	Qty.	Rail Application
160 mm (6.3 in.)	AAA24180AX4	1 piece	# 2
160 mm (6.3 in.)	AAA24180AX5	1 piece	# 3/4
160 mm (6.3 in.)	AAA24180AX8	1 piece	# 1 and # 1-1/2

Elevator Cars: Traction Applications—350 FPM and under

Guide Size	Part Numbers	Qty.	Rail Application
125 mm (4.92 in.)	KAA24180A3	Set of 4	# 1 and # 1-1/2

Elevator Cars: Traction Applications—351–500 FPM

Guide Size	Part Numbers	Qty.	Rail Application
7-7/8 in. (200 mm)	F6261C7	Set of 4	# 1 and # 1-1/2
7-7/8 in. (200 mm)	F6261C8	Set of 4	# 3/4

Elevators Cars: Traction Applications—501–1200 FPM

Guide Size	Part Numbers	Qty.	Rail Application
10 in.	B6261AM10	Set of 4	# 1
10 in.	B6261AM9	Set of 4	# 3/4
10 in.	B6261AM11	Set of 4	# 1/2
10 in.	B6261AM12	Set of 4	# OA

Hydraulic Elevator Applications

Guide Size	Part Numbers	Qty.	Rail Application
76 mm (3 in.)	KAA25830B5	Set of 4	# 2
76 mm (3 in.)	KAA25830B6	Set of 4	# 1 and # 1-1/2

Carframe Counterweight Slide & Roller Guides

Counterweight Roller Guides

Gen2R2 Limited Duty Car Roller Guide (top only) and Counterweight Roller Guide (top and bottom):
 8-1/8 in. (206 mm) wide x 5.9 in. (150 mm) deep base; 4 in. (102 mm) overall height

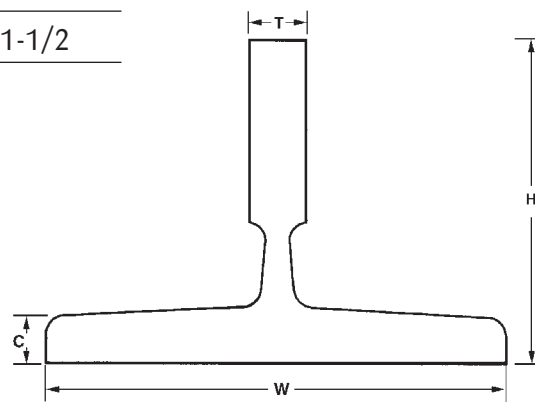
Guide Size	Part Numbers	Qty.	Rail Application	Location on Rail
76 mm (3 in.)	AAA24180AW1	1 piece	# 2	Top
76 mm (3 in.)	AAA24180AW4	1 piece	# 2	Bottom
76 mm (3 in.)	AAA24180AW7	1 piece	# 1, # 1-1/2	Top
76 mm (3 in.)	AAA24180AW8	1 piece	# 1, # 1-1/2	Bottom

Counterweights—700 FPM and under

Guide Size	Part Numbers	Qty.	Rail Application
76 mm (3 in.) with spring-loaded postwise roller	KAA25830AAA3	Set of 4	# 1, # 1-1/2, # 2

Counterweights—Over 700 FPM

Guide Size	Part Numbers	Qty.	Rail Application
125 mm (4.92 in.)	KAA25830A3	Set of 4	# 1, # 1-1/2



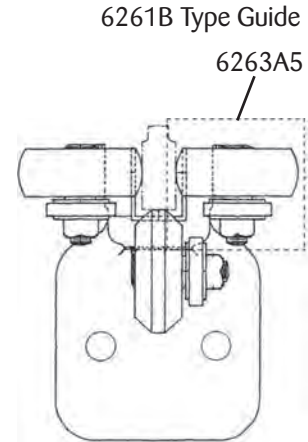
Rail Size Chart

Rail Designation	Weight (lb./ft.)	Height (in.)	Width (in.)	Thickness (in.)	C (in.)
# 2	8	2-7/16 (62 mm)	3-1/2 (89 mm)	5/8 (16 mm)	5/16 (8 mm)
# 1-1/2	12	3-1/2 (89 mm)	5 (127 mm)	5/8 (16 mm)	5/16 (8 mm)
# 1	15	3-1/2 (89 mm)	5 (127 mm)	5/8 (16 mm)	1/2 (13 mm)
# 3/4	18.5		5-1/2 (140 mm)	3/4 (19 mm)	
# 1/2	22.5		5-1/2 (140 mm)	1-1/8 (29 mm)	
OA	30		5-1/2 (140 mm)	1-1/4 (32 mm)	

Roller Guides

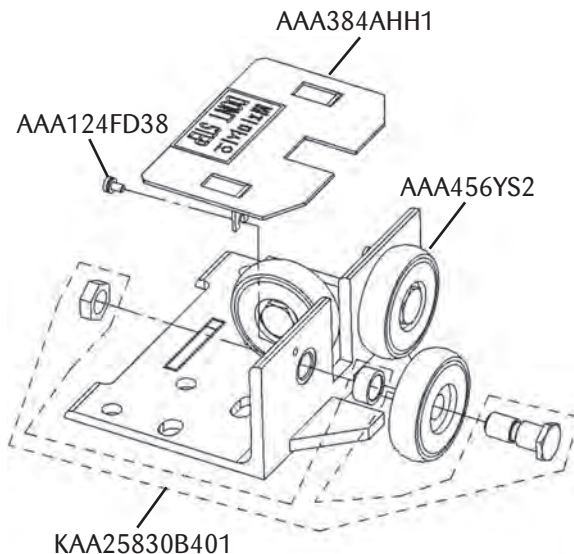
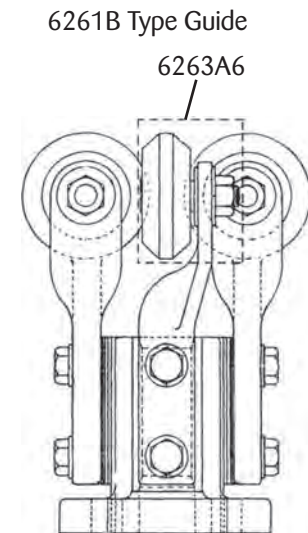
2-1/4-Inch Roller Guides: 6261B

Part Number	Description
6263A5	Roller, Front-Back, 2-1/4 in. (57 mm)
6263A6	Roller, Postwise, 2-1/4 in. (57 mm)



76 mm Roller Guides: KAA25830B

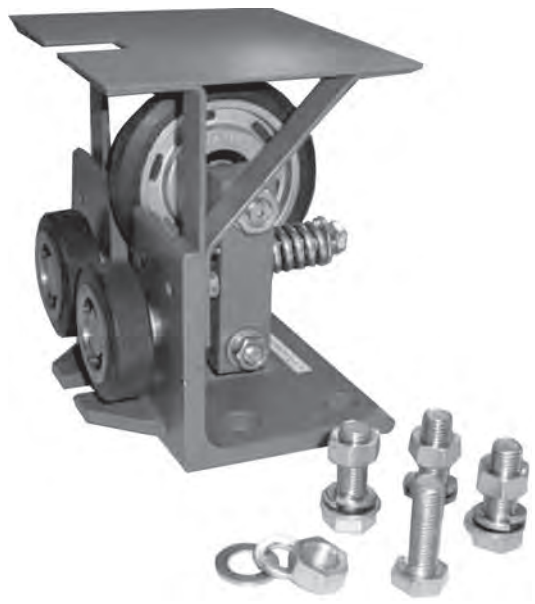
Part Number	Description	Rail Application	Location on Rail
KAA25830B1	Roller Guide Assembly	# 2	Top
KAA25830B2	Roller Guide Assembly	# 2	Bottom
KAA25830B3	Roller Guide Assembly	# 1-1/2	Top
KAA25830B4	Roller Guide Assembly	# 1-1/2	Bottom
AAA384AHH1	Guard		
KAA25830B401	Roller Bolt Kit		
AAA456YS2	Roller, 76 mm (3 in.)		
AAA124FD38	Screw, M5X10 Sems		



Carframe Counterweight Slide & Roller Guides

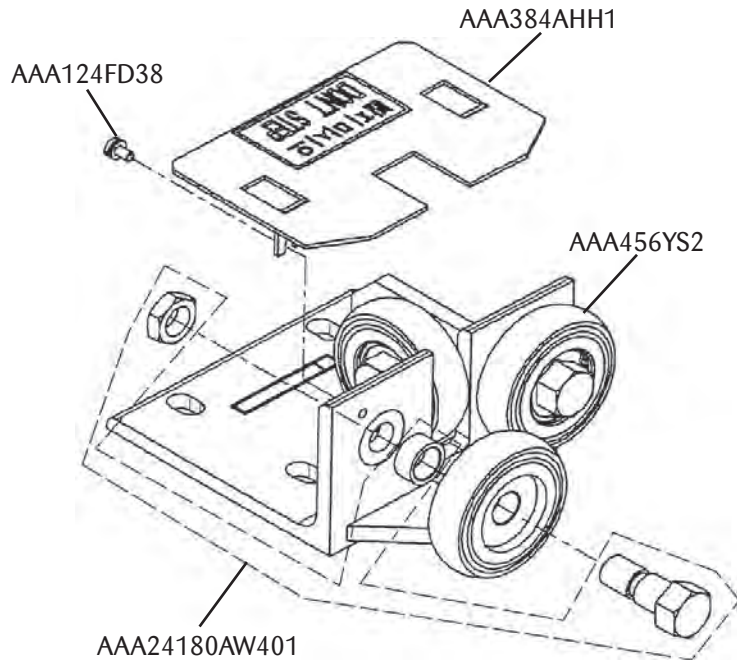
76 mm Roller Guides with Spring-Loaded Postwise Rollers: KAA25830AAA

Part Number	Description	Rail Application
KAA25830AAA3	Roller Guide Assembly	# 1, # 1-1/2, # 2



76 mm Roller Guides: AAA24180AW

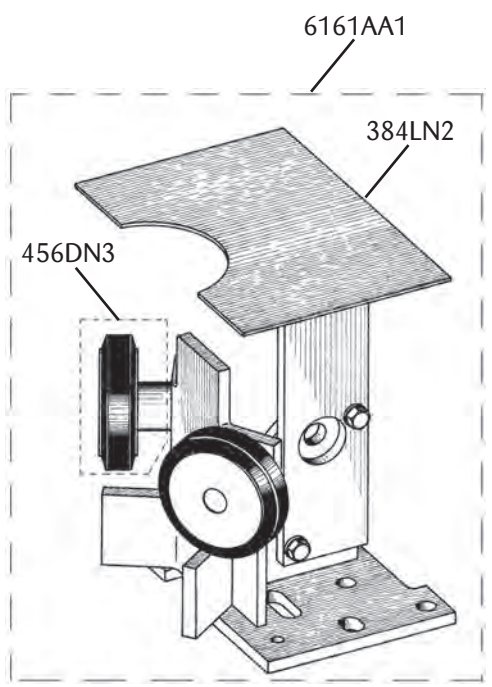
Part Number	Description	Rail Application	Location on Rail
AAA24180AW2	Roller Guide Assembly	# 3/4	Top
AAA24180AW5	Roller Guide Assembly	# 3/4	Bottom
AAA24180AW1	Roller Guide Assembly	# 2	Top
AAA24180AW4	Roller Guide Assembly	# 2	Bottom
AAA24180AW7	Roller Guide Assembly	# 1 and # 1-1/2	Top
AAA24180AW8	Roller Guide Assembly	# 1 and # 1-1/2	Top
AAA384AHH1	Guard		
AAA24180AW401	Hardware: Mounting Hardware Kit		
AAA456YS2	Roller, 76 mm (3 in.)		
AAA124FD38	Screw, M5X10 Sems		



Carframe Counterweight Slide & Roller Guides

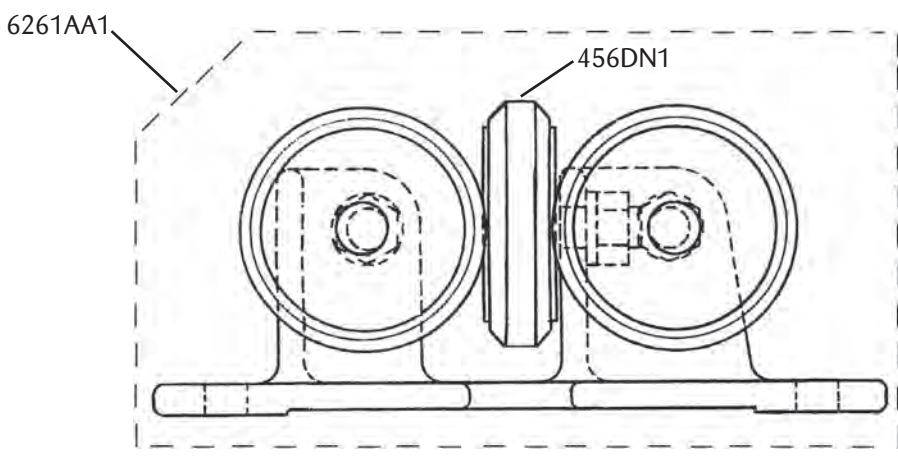
3-Inch Round Roller Guides: 6161AA

Part Number	Description	Rail Application
6161AA1	Roller Guide Assembly	Round
384LN2	Guard	
456DN3	Roller, 3 in. (76 mm)	



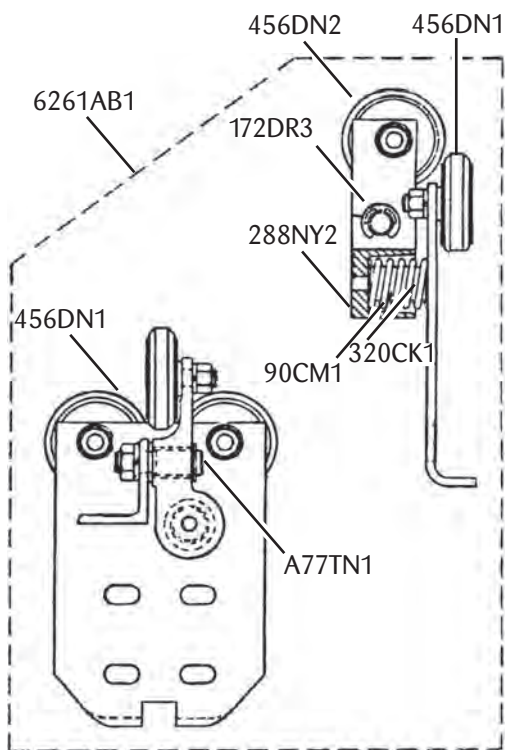
3-Inch Roller Guides: 6261AA

Part Number	Description
6261AA1	Roller Guide Assembly
456DN1	Roller, 3 in. (76 mm)



3-Inch Roller Guides: 6261AB

Part Number	Description
6261AB1	Roller Guide Assembly
320CK1	Bumper, Rubber, 1-3/4 in. (44 mm)
288NY2	Lever
A77TN1	Pin, Shouldered, 2.5 in. 5/8-11
172DR3	Ring, Retaining
456DN2	Roller, Postwise, 3 in. (76 mm)
456DN1	Roller, Side, 3 in. (76 mm)
90CM1	Spring, Compression



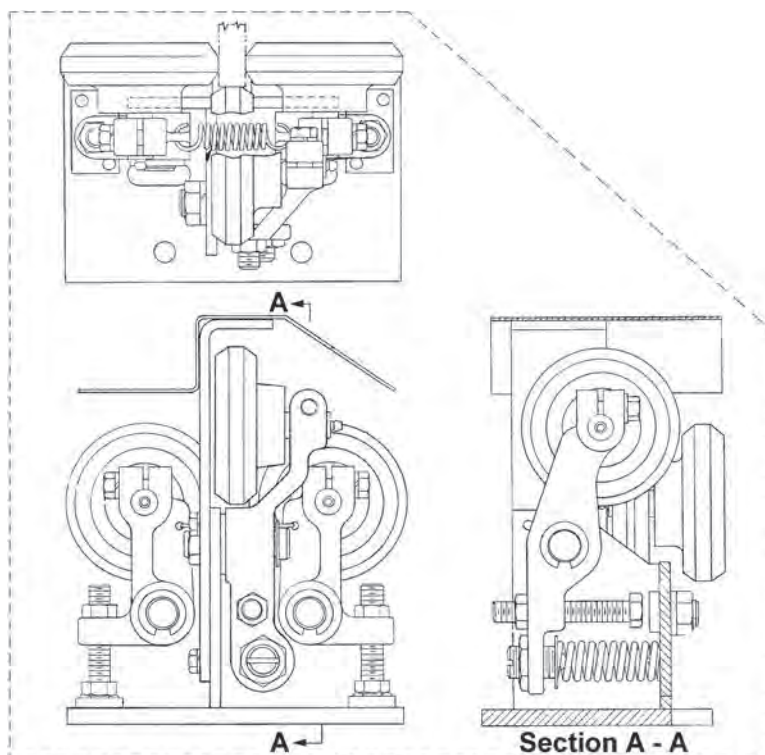
Carframe Counterweight Slide & Roller Guides

3-3/4-Inch Roller Guides: Type 6261P

Part Number	Description	Location on Rail
A6261P1	Roller Guide Assembly (see NOTE)	Bottom
A6261P2	Roller Guide Assembly (see NOTE)	Bottom
A6261P3	Roller Guide Assembly (see NOTE)	Bottom
A6261P4	Roller Guide Assembly (see NOTE)	Top
*	Lever, Postwise	
*	Lever, Front-Back	
*	Pin	
*	Ring, Retaining	
456CN4-SV	Roller, 3-3/4 in. (95 mm)	
*	Screw, Spring Adjusting	
*	Spring, Front-Back	
*	Spring, Postwise	
*	Washer, Seat	

* Varying Vintages (more than one potential part). Contact OSC with casting number from stand, installation date, and vintage tag markings.

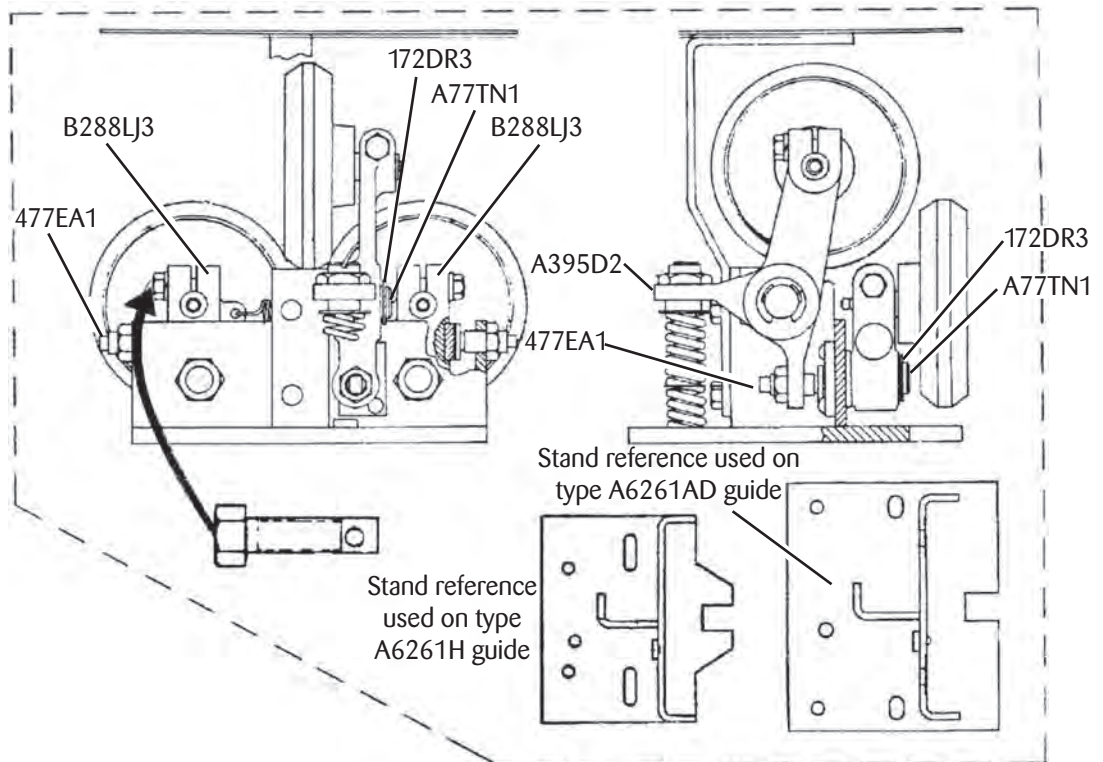
NOTE: Replaced by KAA25830B or KAA25830AAA; refer to pages 7-8.



4-7/8-Inch Roller Guides: Type 6261AD

Part Number	Description	Location on Rail
A6261AD1	Roller Guide Assembly (see NOTE)	Bottom
A6261AD2	Roller Guide Assembly (see NOTE)	Top
B288LJ3	Lever, with Bumper, Bushing, and Metric Bolt	
A395D2	Lever, with Bushing	
A77TN1	Pin	
172DR3	Ring, Retaining	
477EA1	Stop, 1-1/2 in. (38 mm) long, 1/2-13 thread	

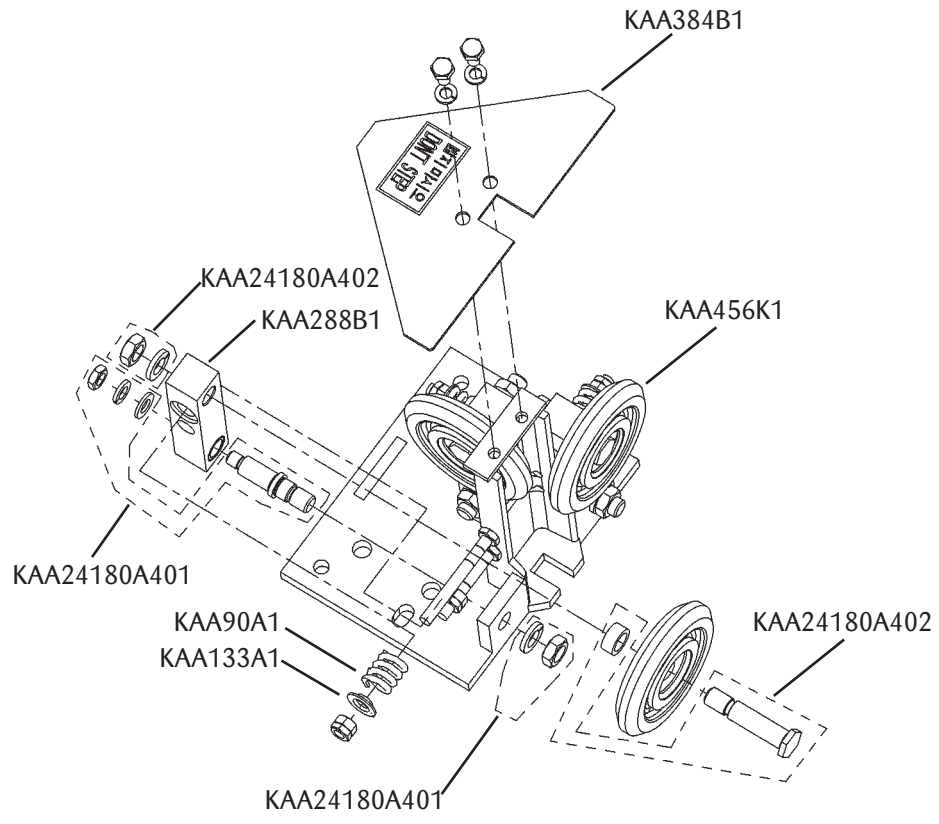
NOTE: See Contemporary Guide Application Chart on page 5 for KAA24180A3 or KAA25830A3.



Carframe Counterweight Slide & Roller Guides

125 mm Roller Guides: KAA24180A

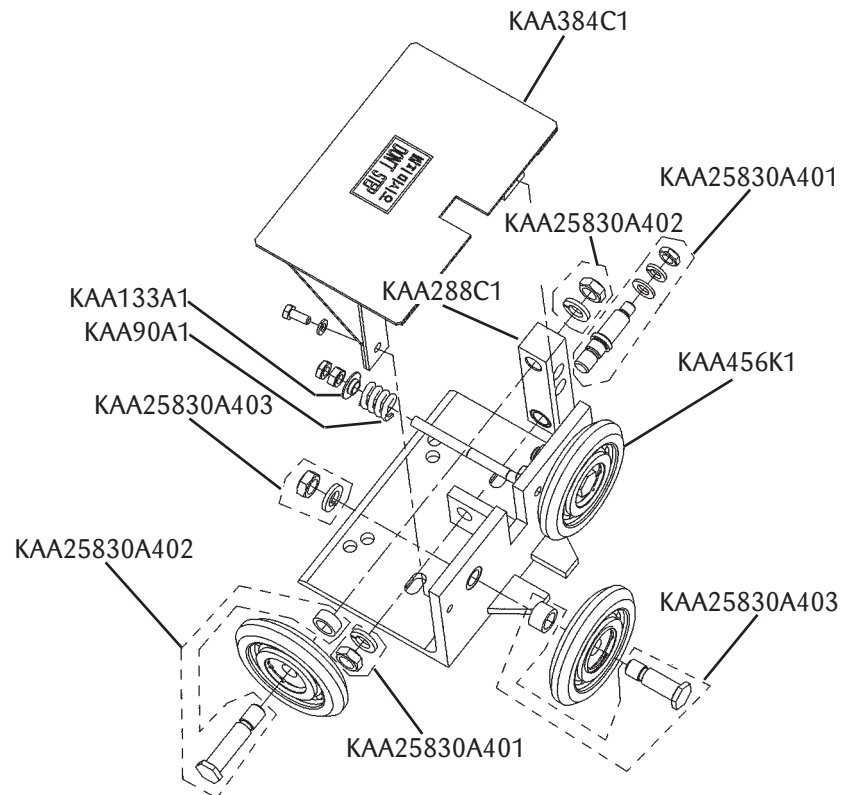
Part Number	Description	Rail Application	Location on Rail
KAA24180A1	Roller Guide Assembly	# 1-1/2 and # 2	Top
KAA24180A2	Roller Guide Assembly	# 1-1/2 and # 2	Bottom
KAA384B1	Guard		
KAA288B1	Lever		
KAA456K1	Roller, 125 mm (4.92 mm)		
KAA24180A401	Service Kit, Postwise Lower Pivot		
KAA24180A402	Service Kit, Roller Bolt		
KAA90A1	Spring		
KAA133A1	Spring Seat		



Carframe Counterweight Slide & Roller Guides

125 mm Roller Guides: KAA25830A

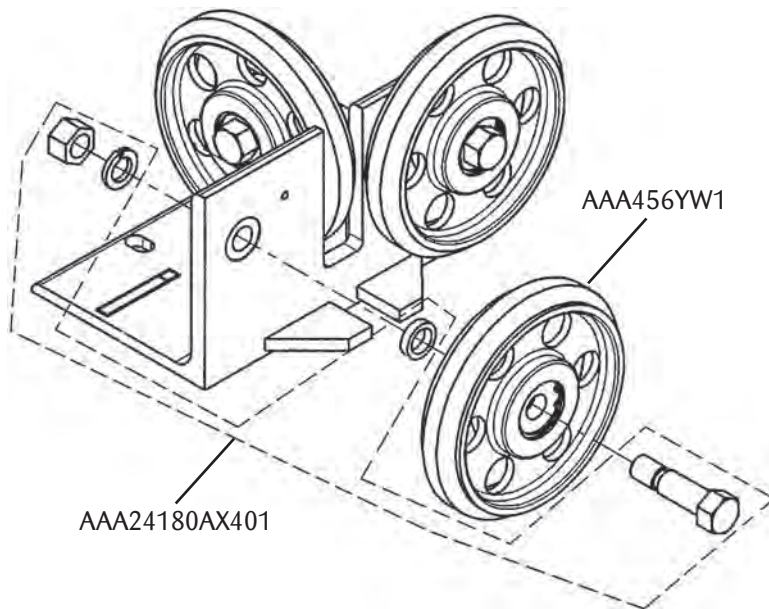
Part Number	Description	Rail Application	Location on Rail
KAA25830A1	Roller Guide Assembly	# 1-1/2 and # 2	Top
KAA25830A2	Roller Guide Assembly	# 1-1/2 and # 2	Bottom
KAA384C1	Guard		
KAA288C1	Lever Assembly		
KAA456K1	Roller, 125 mm (4.92 mm)		
KAA25830A403	Service Kit, Front to Back Roller Bolt		
KAA25830A401	Service Kit, Postwise Lower Pivot		
KAA25830A402	Service Kit, Postwise Upper Pivot		
KAA90A1	Spring		
KAA133A1	Spring Seat		



Carframe Counterweight Slide & Roller Guides

160 mm Roller Guides: AAA24180AX

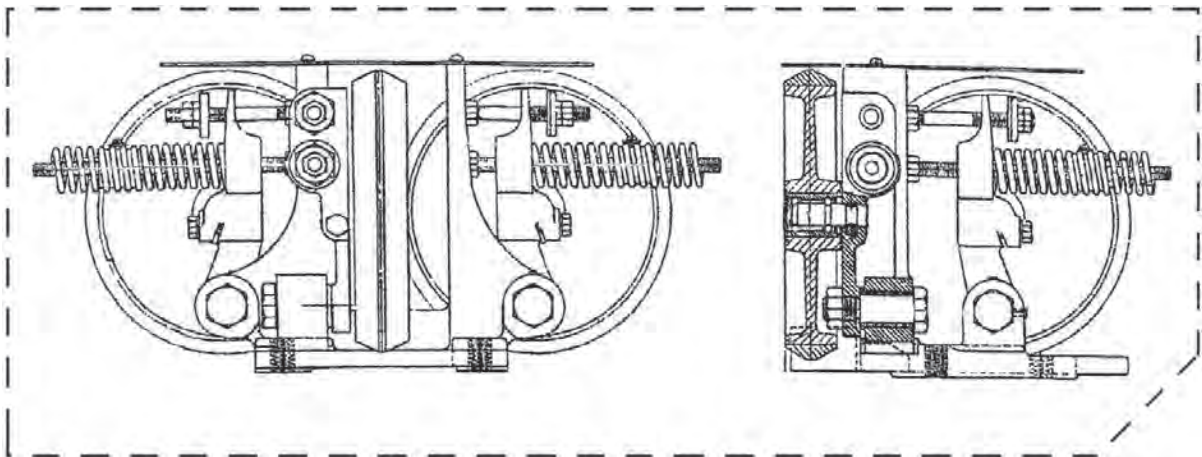
Part Number	Description	Rail Application
AAA24180AX4	Roller Guide Assembly	# 2
AAA24180AX5	Roller Guide Assembly	# 3/4
AAA24180AX8	Roller Guide Assembly	# 1 and # 1-1/2
AAA24180AX401	Hardware Kit	
AAA456YW1	Roller, 160 mm (6.3 in.)	



7-7/8-Inch Roller Guides: Type 6261C

Part Number	Description	Rail Application	Location on Rail
F6261C1	Car Roller Guide	# 1 and # 1-1/2	Top
F6261C2	Car Roller Guide	# 3/4	Top
F6261C4	Car Roller Guide	# 1 and # 1-1/2	Bottom
F6261C5	Car Roller Guide	# 3/4	Bottom
F6261C3	Counterweight Roller Guide	# 1 and # 1-1/2	Top
F6261C6	Counterweight Roller Guide	# 1 and # 1-1/2	Bottom
*	Bolt		
*	Bushing		
B384NB1	Guard		
*	Lever		
*	Lever		
*	Nut		
*	Rod		
*	Rod		
456CL4-SV	Roller, 7-7/8 in. (200 mm)		
	Spring		
149AG4	Spring, Anchor		
*	Wick		

* Varying Vintages (more than one potential part). Contact OSC with casting number from stand, installation date, and vintage tag markings.

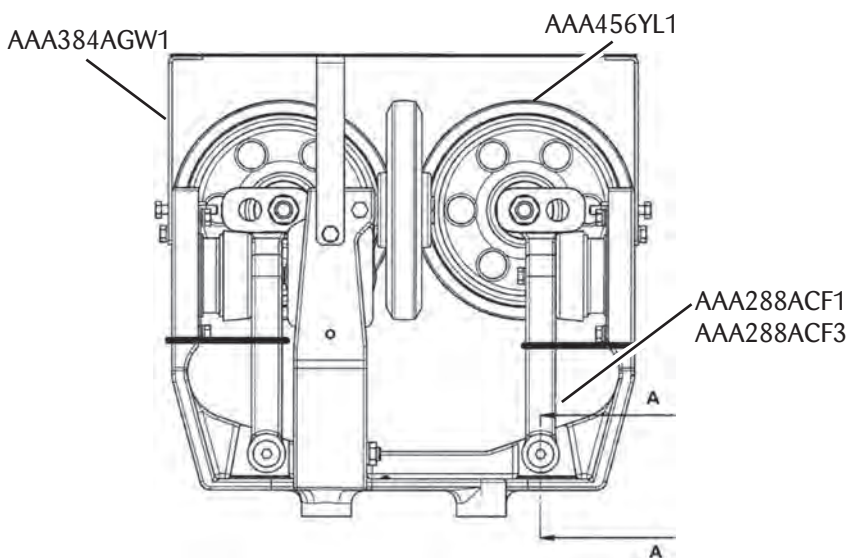
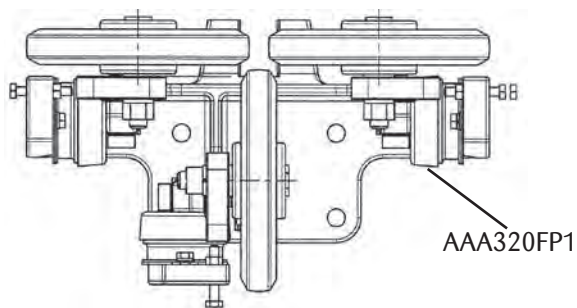
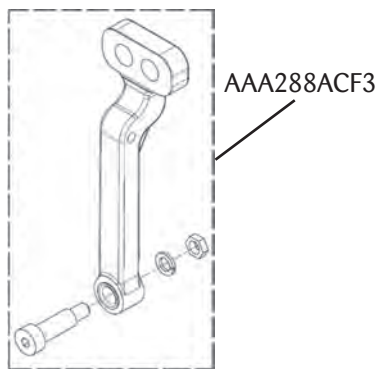
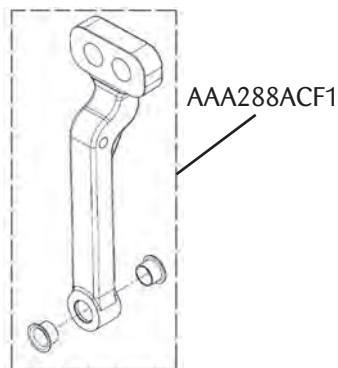


Carframe Counterweight Slide & Roller Guides

200 mm and 260 mm Ultra Roller Guides: AAA24180AV

Part Number	Description
AAA456YL1	Roller, 200 mm (7.875 in.)
AAA456YL2	Roller, 260 mm (10.24 in.)
AAA320FP1	Bumper
AAA384AGW1	Guard
AAA288ACF1	Lever
AAA288ACF3	Lever Kit

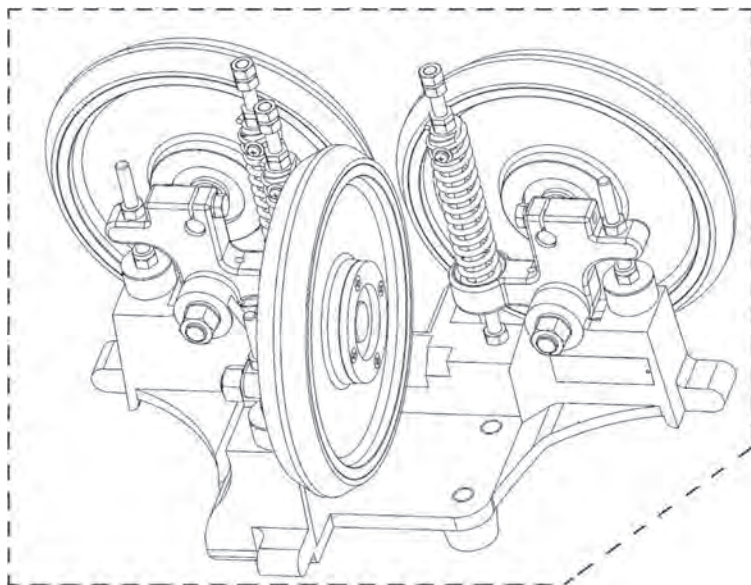
NOTE: Complete assembly not available through OTIS.



10-Inch Roller Guides: Type 6261AM

Part Number	Description	Rail Application	Location on Rail
B6261AM3	Roller Guide Assembly	# 1	Top
B6261AM4	Roller Guide Assembly	# 1	Bottom
B6261AM5	Roller Guide Assembly	# 1/2	Top
B6261AM6	Roller Guide Assembly	# 1/2	Bottom
B6261AM1	Roller Guide Assembly	# 3/4	Top
B6261AM2	Roller Guide Assembly	# 3/4	Bottom
B6261AM7	Roller Guide Assembly	# OA	Top
B6261AM8	Roller Guide Assembly	# OA	Bottom
*	Bolt		
*	Lever		
*	Rod		
*	Rod		
*	Roller, 10 in.		
90BM1	Spring		
194AG4	Spring, Anchor		
*	Stop		

* Varying Vintages (more than one potential part). Contact OSC with casting number from stand, installation date, and vintage tag markings.

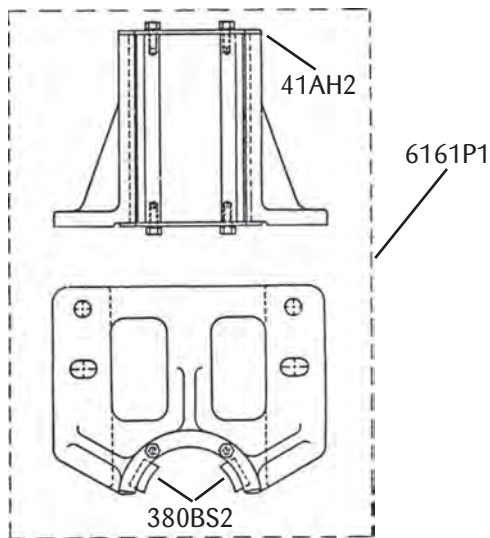


Carframe Counterweight Slide & Roller Guides

Round Rail Guides

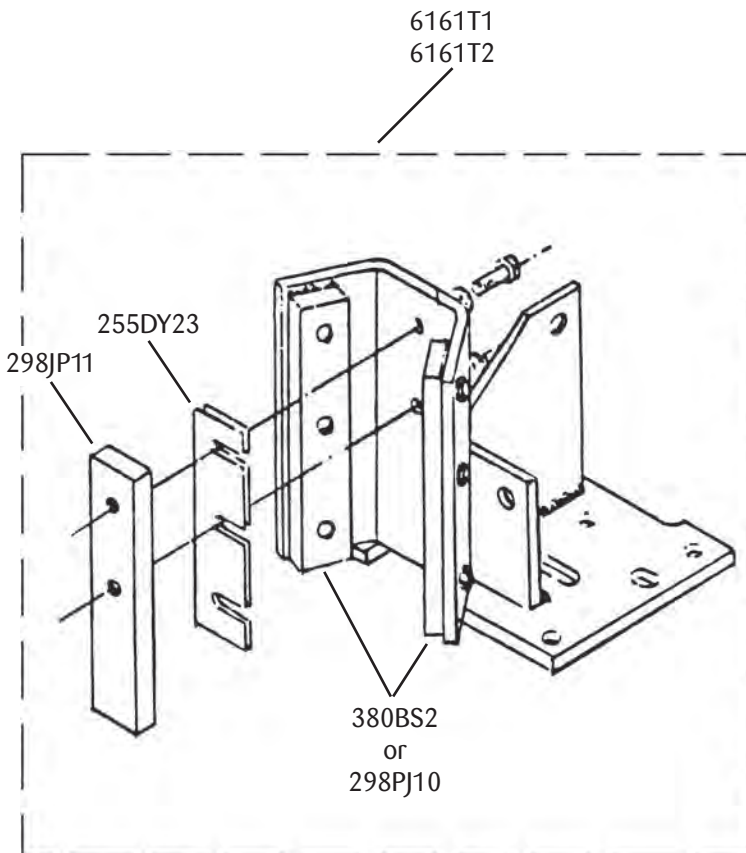
3-Inch Slide Guide Shoes: 6161P

Part Number	Description	Rail Application
6161P1	Guide Shoe Assembly	3-Inch (76 mm) Round Tubular Guide Rails
380BS2	Gib, 6.3 in. (160 mm) long	
41AH2	Keeper	



3-Inch Slide Guide Shoes: 6161T

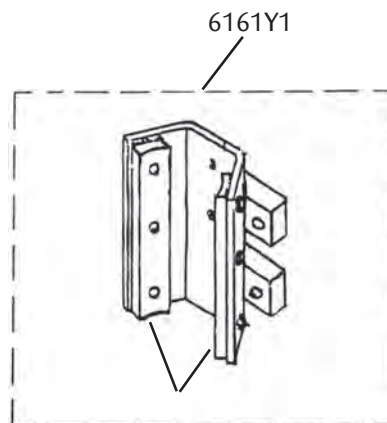
Part Number	Description	Rail Application
6161T1	Guide Shoe Assembly with 2-Sided Gibs (380BS2 only)	Round Tubular Guide Rails
6161T2	Guide Shoe Assembly with Bronze Strip (p/n 298PJ11) at Center and with 2-Sided Strip (p/n 298PJ10)	Round Tubular Guide Rails
380BS2	Gib, 6.3 in. (160 mm) long	
255DY23	Shim	
298PJ11	Strip (Center), Bronze, 0.62 in. (16 mm) thick, 6.32 in. (160 mm) long	
298PJ10	Strip, Bronze, 0.5 in. (13 mm) thick, 6.32 in. (160 mm) long	



Carframe Counterweight Slide & Roller Guides

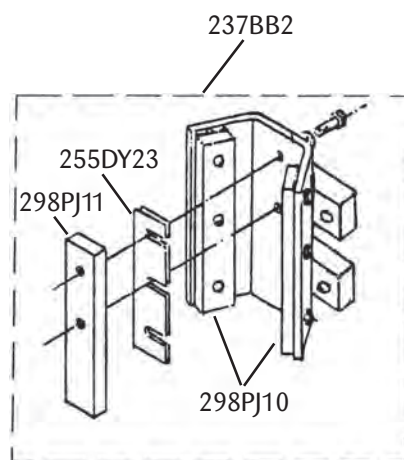
3-Inch Slide Guide Shoes: 6161Y

Part Number	Description	Rail Application
6161Y1	Guide Shoe Assembly	Round Tubular
Guide Rails		
380BS2	Gib, 6.3 in. (160 mm) long	



3-Inch Slide Guide Shoes: 237BB

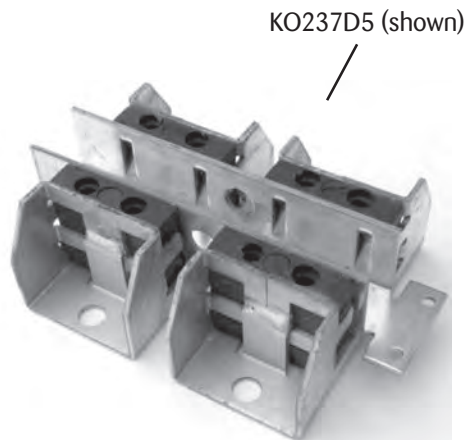
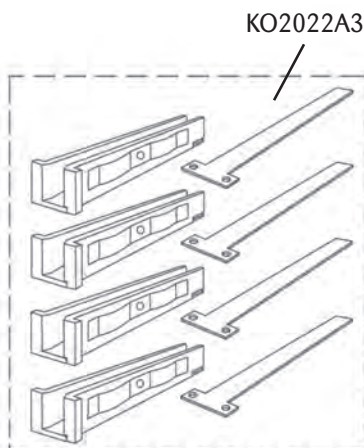
Part Number	Description	Rail Application
237BB2	Guide Shoe Assembly	Round Tubular
Guide Rails		
255DY23	Shim (two per assembly)	
298PJ11	Strip (Center), Bronze, 0.62 in. (16 mm) thick, 6.32 in. (160 mm) long	
298PJ10	Strip, Bronze, 0.5 in. (13 mm) thick, 6.32 in. (160 mm) long	



Slide Guides

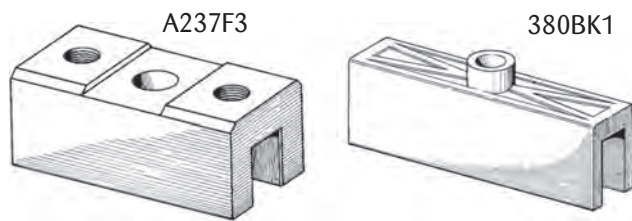
Guide Shoes: KO237D

Part Number	Description	Rail Application
KO2022A3	Guide Shoe, DIM 2 = 16 mm (0.62 in.)	# 2
FAA380F500	Gib/Insert, 7.9" long w/round boss on back side (need 3 per guide, 12 per elev)	
KO237D5	Shoe, Guide – w/o inserts or pins. Order Inserts: FAA380F500 & pins KO79B1 separately. (Ask OSC for help)	



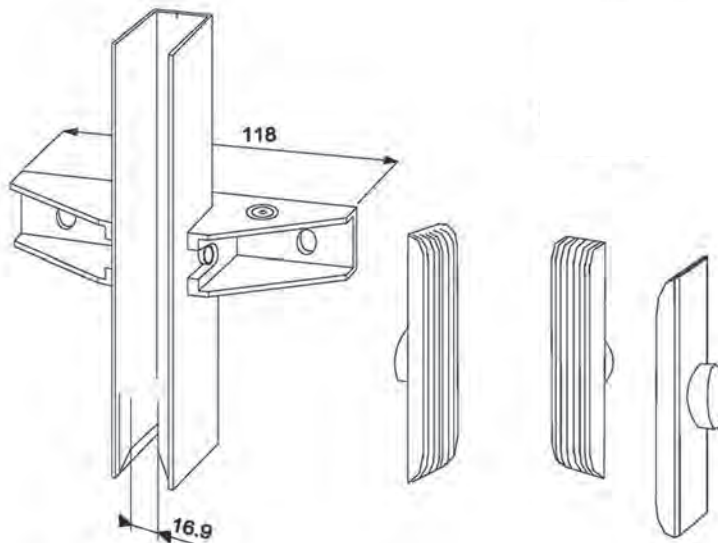
Solid Guides for 6946F Carframes: A237F

Part Number	Description	Rail Application
A237F3	Shoe, 1 in. (25 mm) groove width (accepts p/n 380BK1 gib)	5/8-Inch
A237F1	Shoe, 4 in. long (early style without gib)	5/8-Inch
380BK1	Gib, 4 in. (102 mm) long, 1 in. (25 mm) overall width (also used for compensation frame assemblies)	



FO237DS Guide

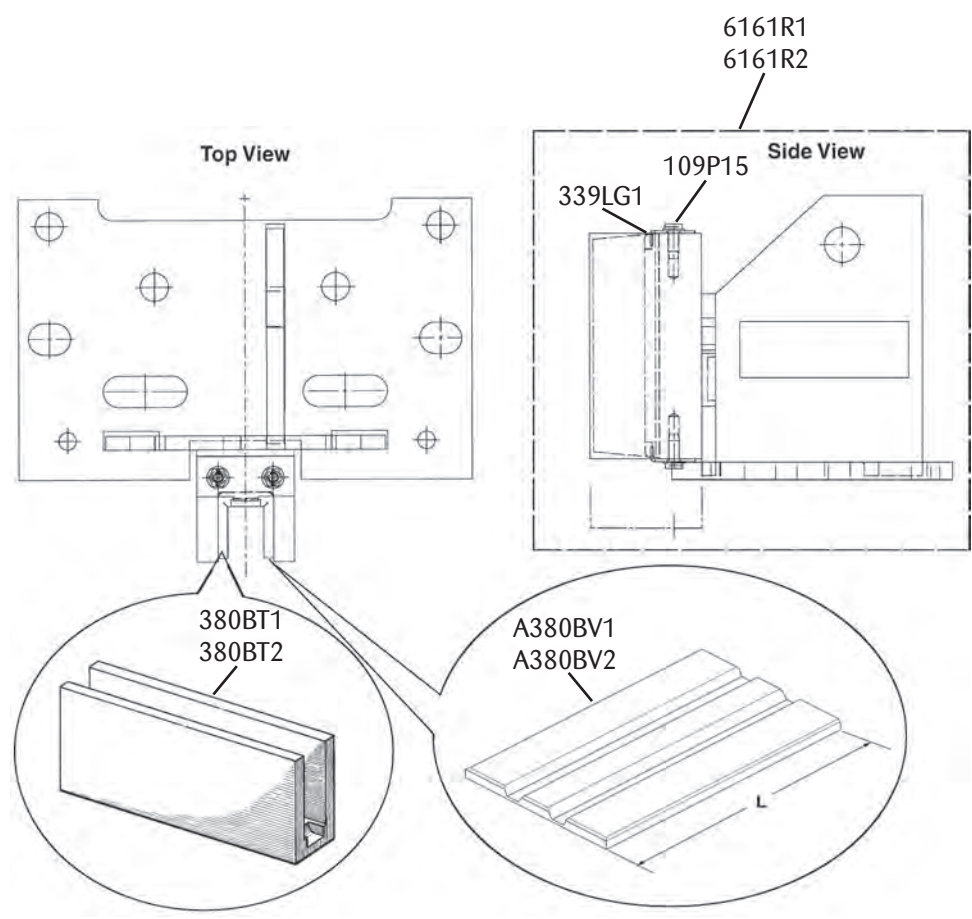
Part Number	Description	Rail Application
FO237DS3	Guide, 7-7/8" tall w/o inserts (use FAA380F500 inserts)	
FAA380F500	Insert, 7.9" long	



Carframe Counterweight Slide & Roller Guides

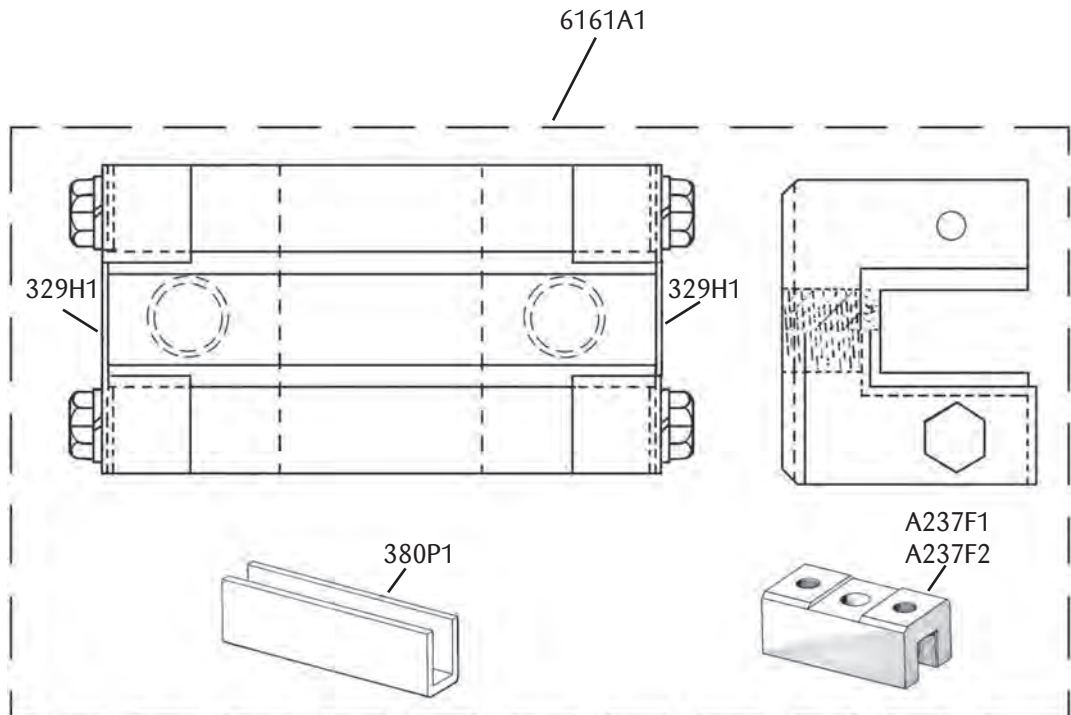
Slide Guide Shoes: 6161R

Part Number	Description
6161R1	Guide Shoe, 4 in. (102 mm)
6161R2	Guide Shoe, 6 in. (153 mm)
339LG1	Clip, Retaining (Top and Bottom)
380BT1	Gib, Cast Iron, 4 in. (102 mm)
380BT2	Gib, Cast Iron, 6 in. (153 mm)
A380BV1	Gib, Plastic, 4 in. (102 mm)
A380BV2	Gib, Plastic, 6 in. (153 mm)
109P15	Screw



Residence, Passenger, and Freight (HP 1500 Model), Early Counterweights (5/8-Inch Rails): 6161A

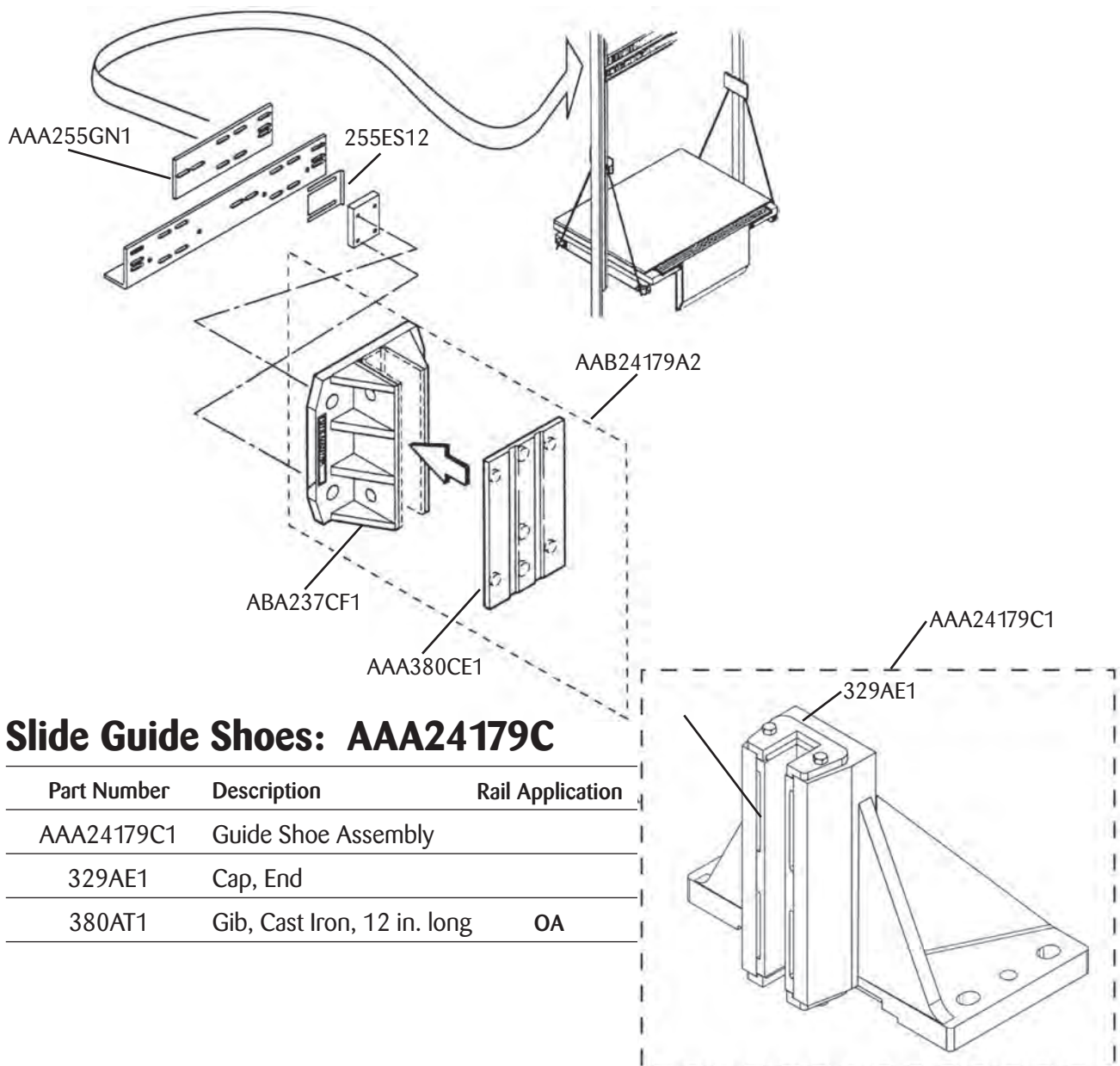
Part Number	Description	Rail Application
A237F2	Shoe	# 2
A237F1	Shoe (No Gib Used)	# 1, 1-1/2, # 2
6161A1	Shoe Assembly, Counterweight	# 2
329H1	Cap	
380P1	Gib, Leather, 4 in. (102 mm) long	



Carframe Counterweight Slide & Roller Guides

Guide Shoes: AAA24179A

Part Number	Description
AAB24179A2	Guide Shoe Assembly
ABA237CF1	Base
AAA380CE1	Gib, Plastic, 5.5 in. (140 mm) long
255ES12	Shim, 0.03 in. (0,76 mm)
AAA255GN1	Shim, 0.037 in. (0,94 mm)

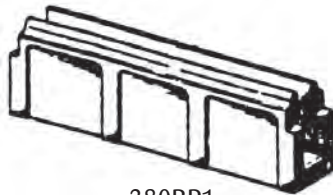


Slide Guide Shoes: AAA24179C

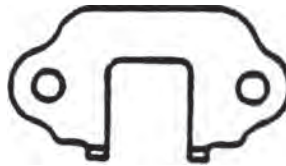
Part Number	Description	Rail Application
AAA24179C1	Guide Shoe Assembly	
329AE1	Cap, End	
380AT1	Gib, Cast Iron, 12 in. long	OA

Solid Guides for 6946BS, BT, BV Carframes

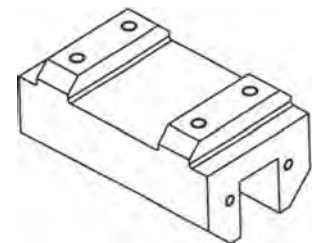
Part Number	Description	Rail Application
380BP1	Gib, Cast Iron, 8.5 in. (216 mm) long, 1.8 in. (46 mm) wide	# 3/4
237BM2	Guide Shoe	
329F1	Cap	



380BP1



329F1

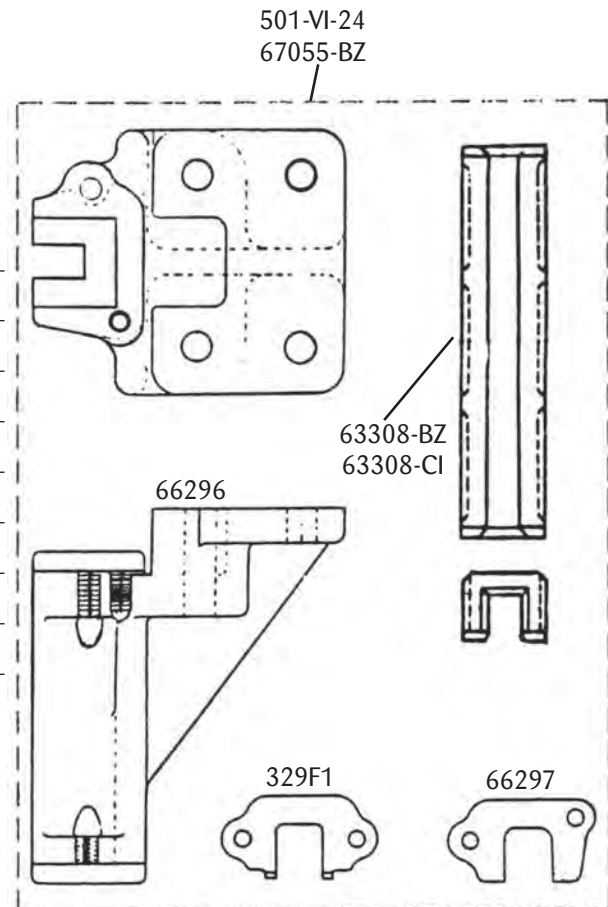


237BM2

Solid Guide Shoes with Gib for 6197A Carframes and 36 and 36C Roll Carframes: 501-VI-24

Part Number	Description
501-VI-24	Guide Shoe Assembly w/Cast Iron Gib
67055-BZ	Guide Shoe Assembly w/Bronze Gib
66296	Guide Shoe, Cast Iron
329F1	Cap
66297	Cap
63308-BZ	Gib, Bronze, 5.5 in. (140 mm) long
63308-CI	Gib, Cast Iron, 5.5 in. (140 mm) long

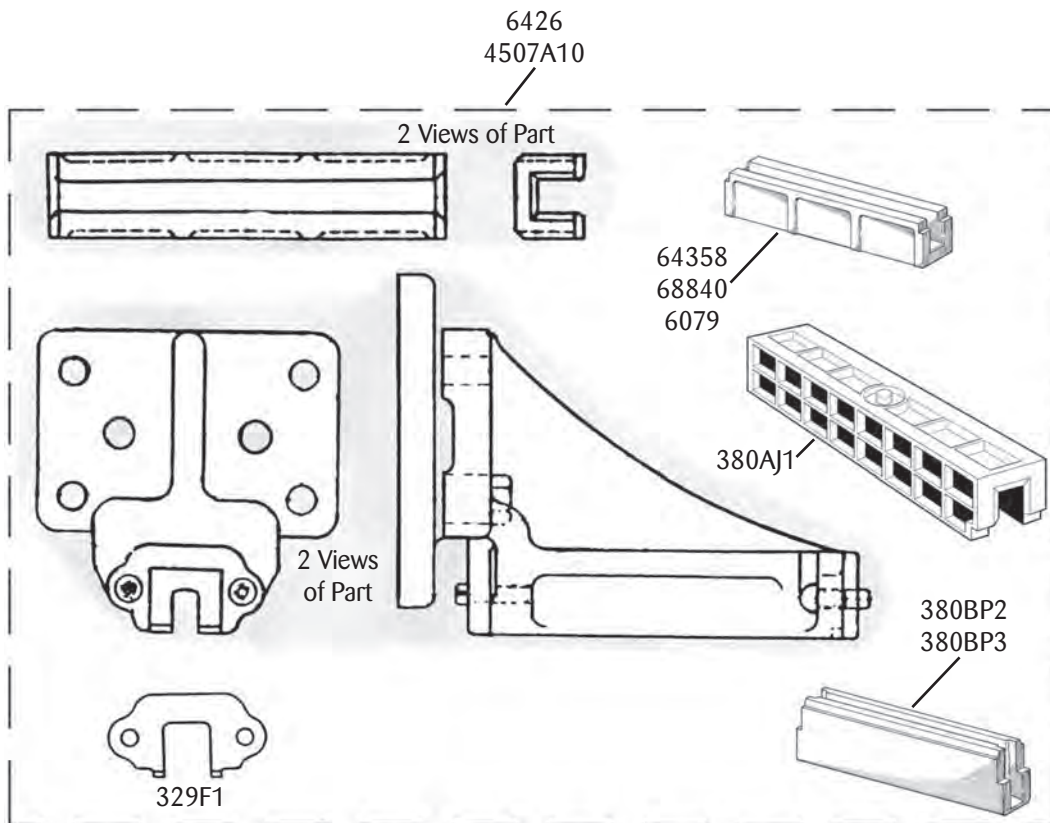
CASTING NUMBER REFERENCES:
Look for: 231-CF 196-CF



Carframe Counterweight Slide & Roller Guides

Slide Guide Shoes for 37C Roll Carframes and 5C, 8C, 12C, 14D, and 15RU Carframes: 6426

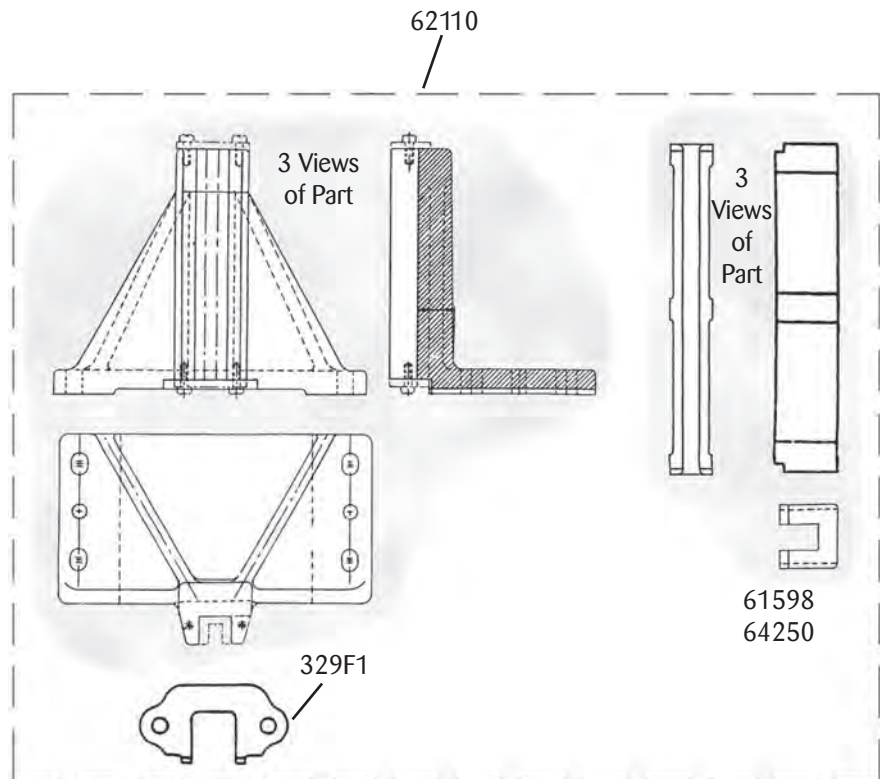
Part Number	Description	Rail Application
6426	Guide Shoe Assembly	# 1, # 3/4
4507A10	Guide Shoe Assembly with Cast Iron Gib	# 1, # 3/4
329F1	Cap	
68840	Gib, Bronze, 8.5 in. (216 mm) long	# 1
380BP3	Gib, Bronze, 8.5 in. (216 mm) long	# 3/4
6079	Gib, Cast Iron, 8.5 in. (216 mm) long	# 1
380BP2	Gib, Cast Iron, 8.5 in. (216 mm) long	# 3/4
64358	Gib, Phosphor Bronze, 8.5 in. (216 mm) long	# 1
380AJ1	Gib, Synthetic, 8.5 in. (216 mm) long	# 1



Carframe Counterweight Slide & Roller Guides

42 Roll: 62110

Part Number	Description	Rail Application	Location on Rail
62110	Guide Shoe Assembly	5/8 Inch	Top
329F1	Cap		
64250	Gib, Bronze (special order only)		
61598	Gib, Cast Iron, 12 in. (305 mm) long		

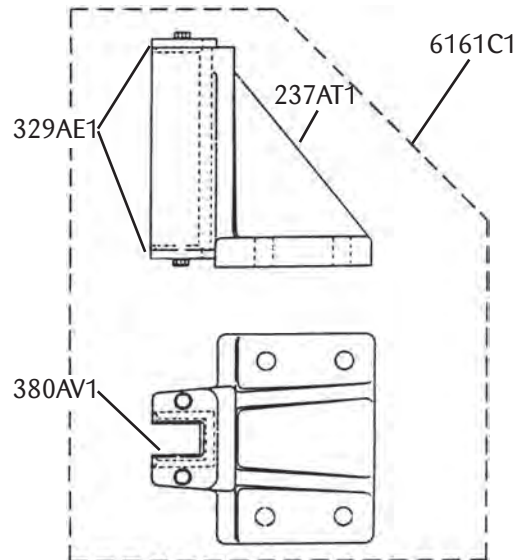


Carframe Counterweight Slide & Roller Guides

Guide Shoes for Plunger Electric Elevators with 8-Inch Uprights: 6161C

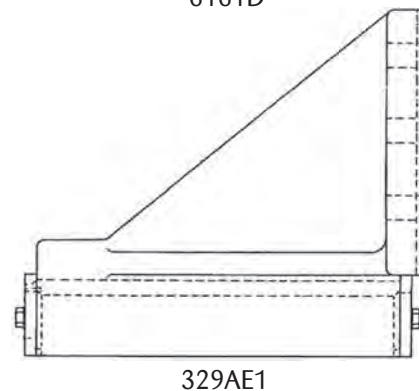
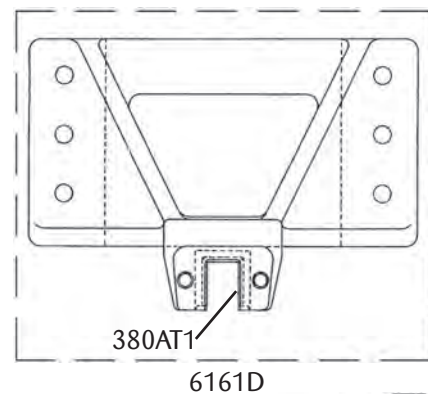
Part Number	Description	Rail Application
6161C1	Guide Shoe Assembly	OA
329AE1	Cap	
380AV1	Gib, 8.5 in. (216 mm) long	
237AT1	Shoe	

MOUNTING PATTERN NOTE:
3.25" postwise X 6.5" F to B & 2.68"
rail blade face to first set of holes



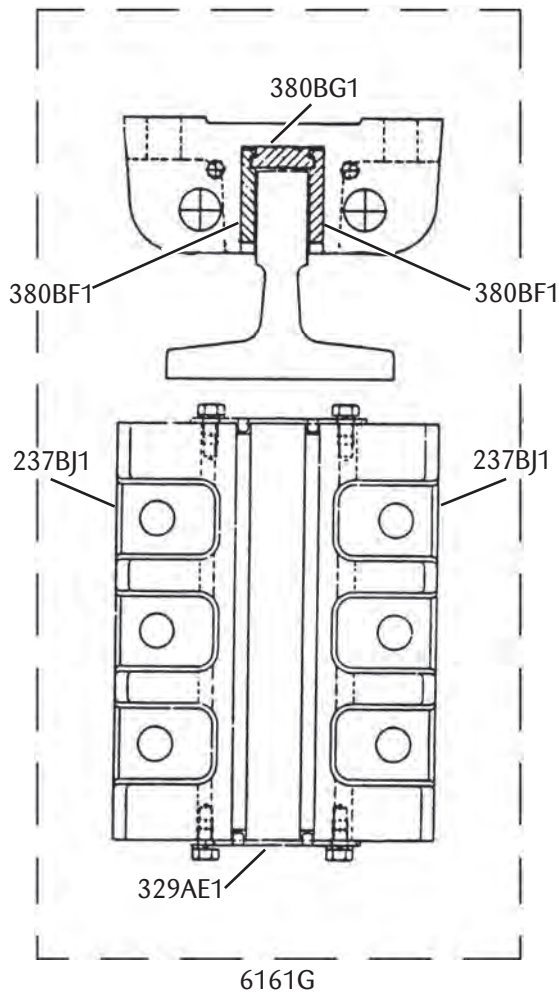
Slide Guides for Plunger Electric Elevators with 10-Inch Uprights: 6161D

Part Number	Description	Rail Application
6161D1	Guide Shoe Assembly	OA
329AE1	Cap	
380AT1	Gib, 12 in. (305 mm) long	



Guide Shoe Bottom Guides for 25DB Car- frame: 6161G

Part Number	Description	Rail Application
6161G1	Guide Shoe Assembly	OA
329AE1	Cap	
380BG1	Gib, Back, 10 in. (254 mm) long	
380BF1	Gib, Side, 10 in. (254 mm) long	
237BJ1	Guide Shoe	



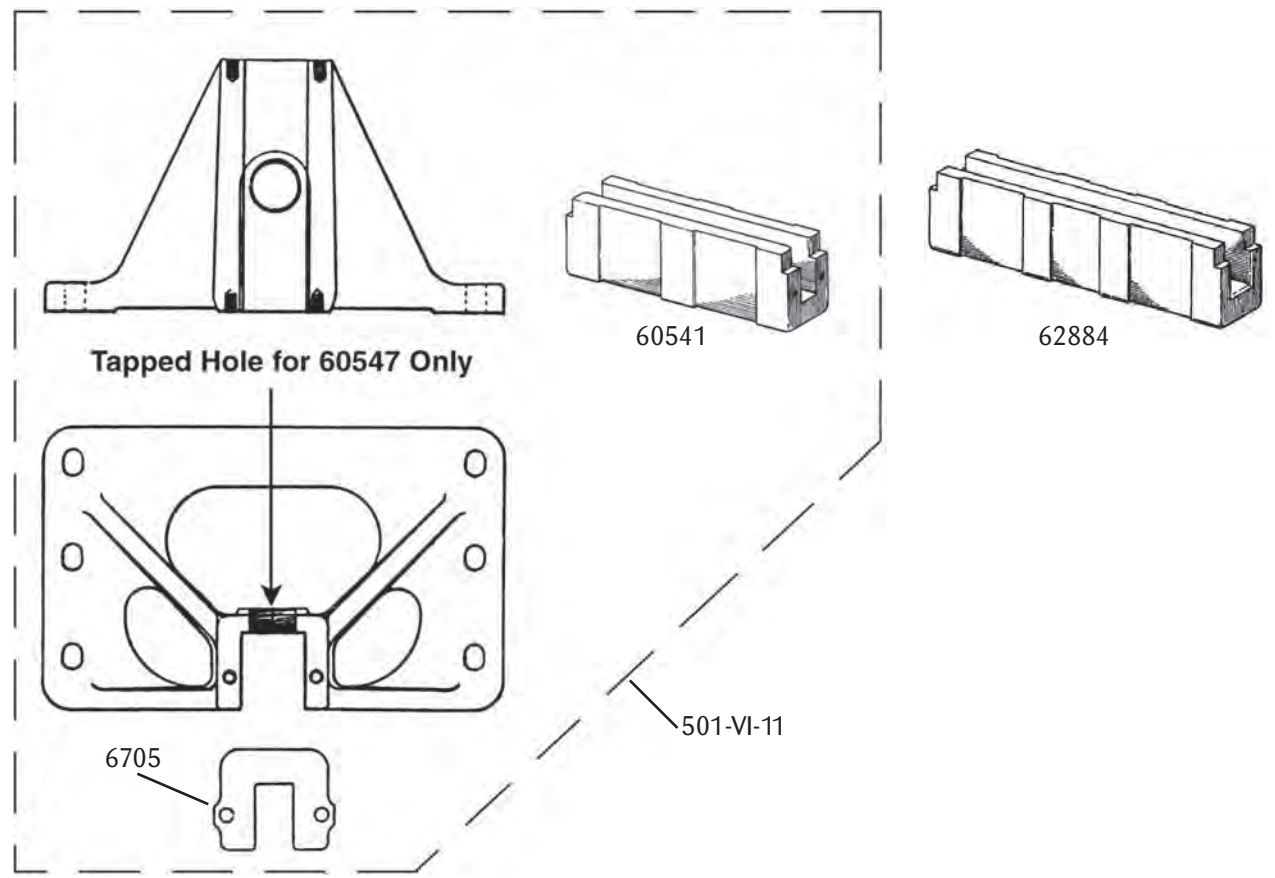
Carframe Counterweight Slide & Roller Guides

Guide Shoes for 30 Simplex and Duplex FGC Safeties: 501-VI-11

Part Number	Description	Rail Application	Location on Rail
501-VI-11	Guide Shoe Assembly	OA	Top
6705	Cap	OA	--
62884	Gib, 14.7 in. (373 mm) long	OA	Bottom
60541	Gib, 10.7 in. (272 mm) long	OA	Top

CASTING NUMBER REFERENCES:
 Look for: 62-CF-1 1009-SA-1 86-SA-8

MOUNTING PATTERN NOTE:
 Outermost holes: 8.25" postwise X 17.25" F to B



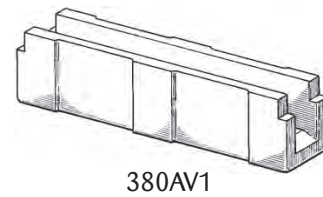
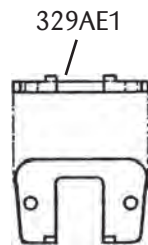
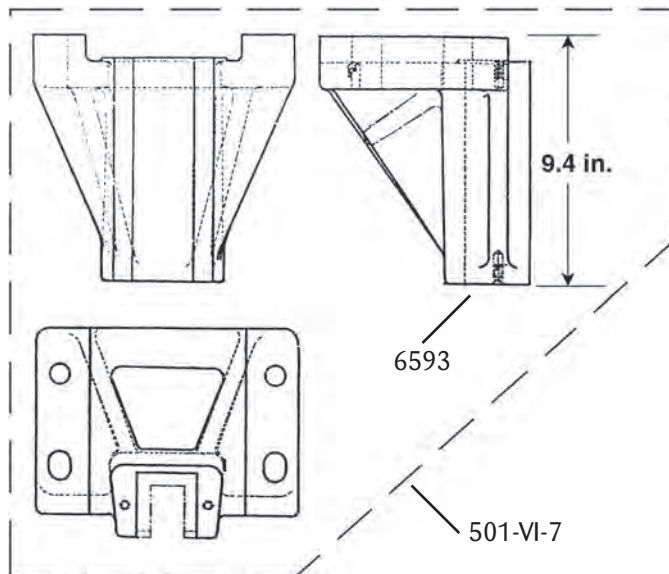
Carframe Counterweight Slide & Roller Guides

42L Bottom Guides: 6593

Part Number	Description	Rail Application	Location on Rail
6593	Guide Shoe, Solid	OA	Bottom
329AE1	Cap		
380AV1	Gib, 8.5 in. (216 mm) long		

CASTING NUMBER REFERENCES: Look for: 73-CF-3

MOUNTING PATTERN NOTE: 3.5" postwise X 8.25" F to B

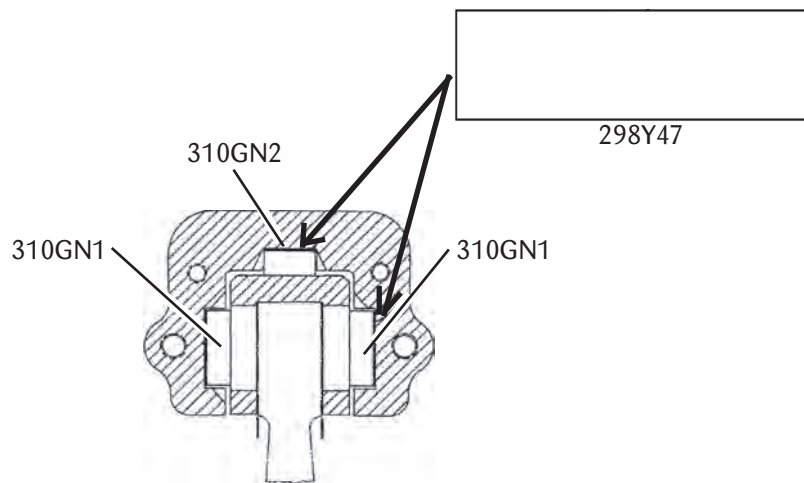
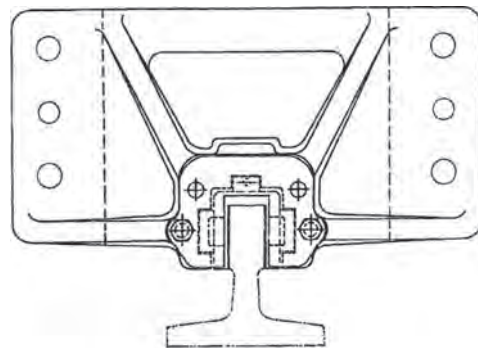
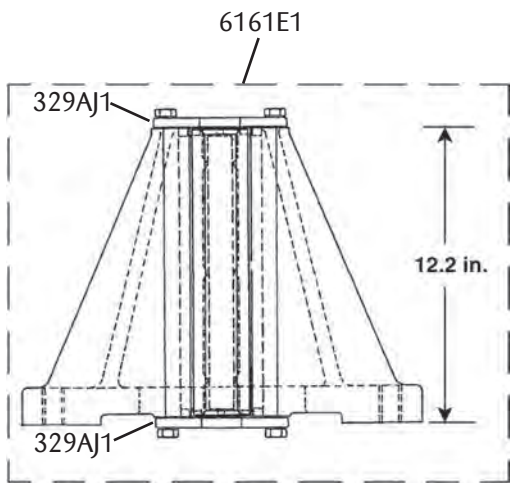


Carframe Counterweight Slide & Roller Guides

Flexible Slide Guide Shoes for 42L Bottom: 6161E

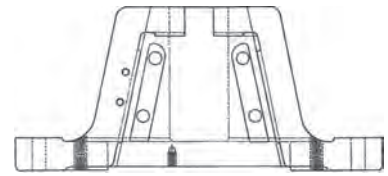
Part Number	Description	Rail Application
6161E1	Guide Shoe Assembly, Sliding	OA
310GN2	Block, Back	
310GN1	Block, Side	
329AJ1	Cap	
380BC1	Gib, 11.9 in. (302 mm) long	
298Y47	Strip, Back	
298Y46	Strip, Side	

CASTING NUMBER REFERENCE (for stand) 237BD

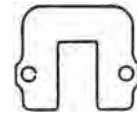
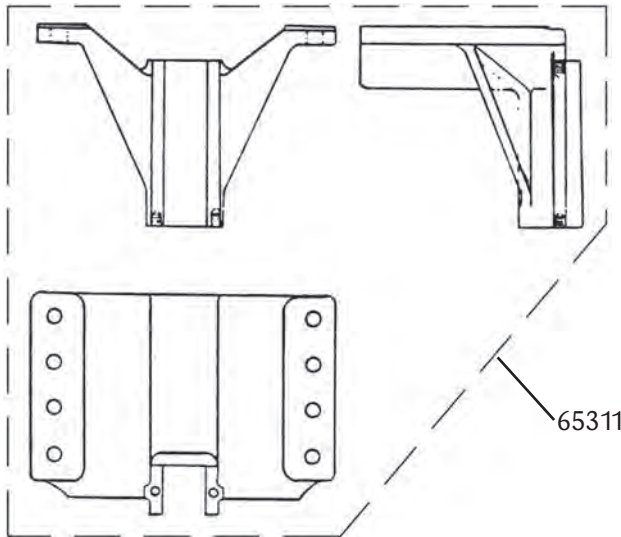


Guide Shoes for 60 Roll Safeties: 65311

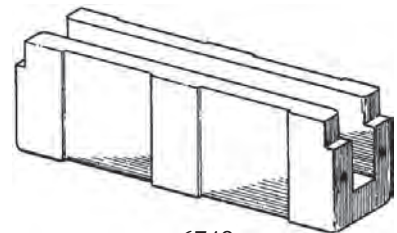
Part Number	Description	Rail Application
65311	Guide Shoe Assembly	OA
65377	Block, Left-Hand	
65316	Block, Right-Hand	
6705	Cap	
60541	Gib, 10.7 in. (272 mm) long, without Spring Backing	
6749	Gib, with Spring Backing	



65377
65316



6705



6749
60541

Carframe Counterweight Slide & Roller Guides

Counterweight Solid Guides: 600020

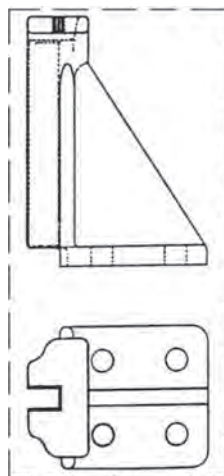
Part Number	Description	Rail Application
600020	Guide Shoe Assembly Guide Engagement Length = 6 in. (152 mm)	#1, #2



600020

Counterweight Solid Guide Shoes for Freight Applications: 76307

Part Number	Description	Rail Application
76307	Guide Shoe Assembly, Solid Guide Engagement Length = 7-3/8 in. (187 mm)	#1, #1-1/2, #2

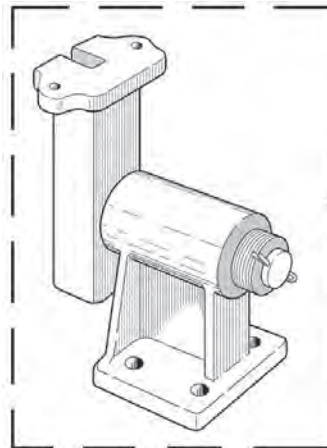


76307

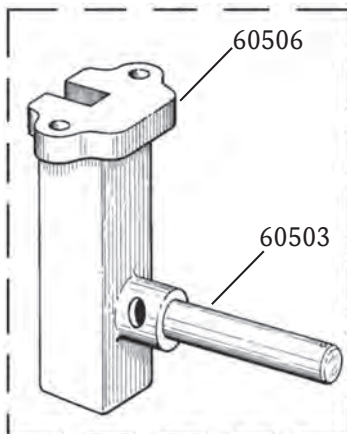
Swivel Guides

Bottom Swivel Guides for 36C Carframes: 67054

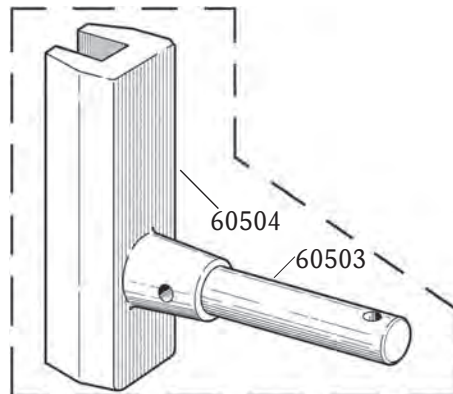
Part Number	Description	Rail Application	Location on Rail
67054	Guide Assembly, Swivel, with Base	5/8 Inch	--
501-VI-33	Guide Assembly, Swivel	5/8 Inch	Upper
62108	Guide Shoe Assembly	5/8 Inch	--
63571	Bracket, Shoe	5/8 Inch	Bottom
60505	Shoe and Pin Assembly, 5.5 in. (140 mm) long		
60507	Shoe and Pin Assembly, 5.5 in. (140 mm) long		



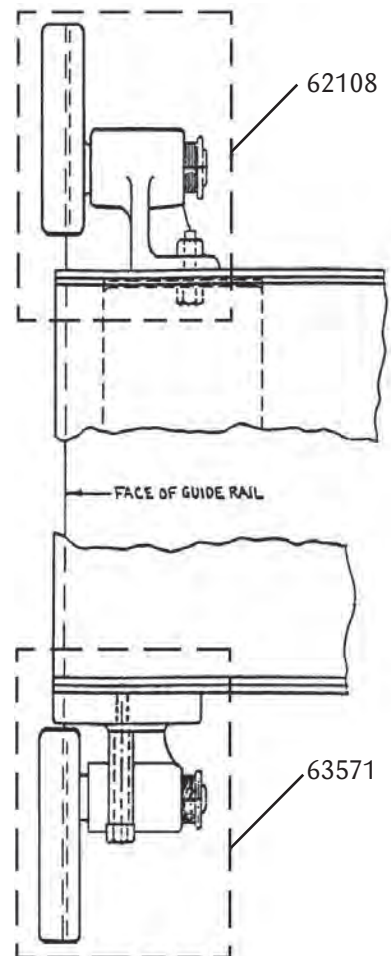
67054 (uses 60505)
501-VI-33 (uses 60507)



60507



60505



62108

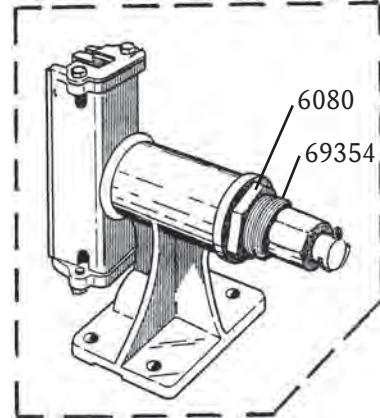
FACE OF GUIDE RAIL

63571

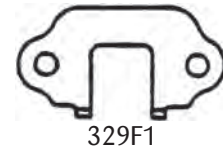
Carframe Counterweight Slide & Roller Guides

Swivel Guides for Multiple Applications: 501-VI-28

Part Number	Description	Rail Application
501-VI-28	Guide Shoe Assembly, Swivel, with Cast Iron Gib	# 2
501-VI-48	Guide Shoe Assembly, Swivel, with Synthetic Gib	# 2
65869	Guide Shoe Assembly, 8.5 in. (216 mm) long, with Stem	# 2
69354	Bushing	
329F1	Cap	
64358	Gib, Bronze, 8.5 in. (216 mm) long	
6079	Gib, Cast Iron, 8.5 in. (216 mm) long	
380AJ1	Gib, Synthetic, 8.5 in. (216 mm) long	
6080	Locknut	
90SC5	Spring	
814618	Washer, 0.06 in. (1,5 mm), Hard Fibre	
814619	Washer, 0.12 in. (3 mm), Hard Fibre	
814616	Washer, 0.06 in. (1,5 mm), Vellumoid Soft Gasket	
814617	Washer, 0.12 in. (3 mm), Vellumoid Soft Gasket	



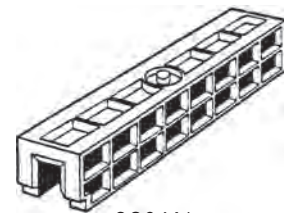
501-VI-28
501-VI-48



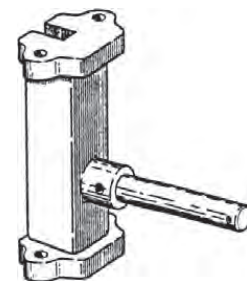
329F1



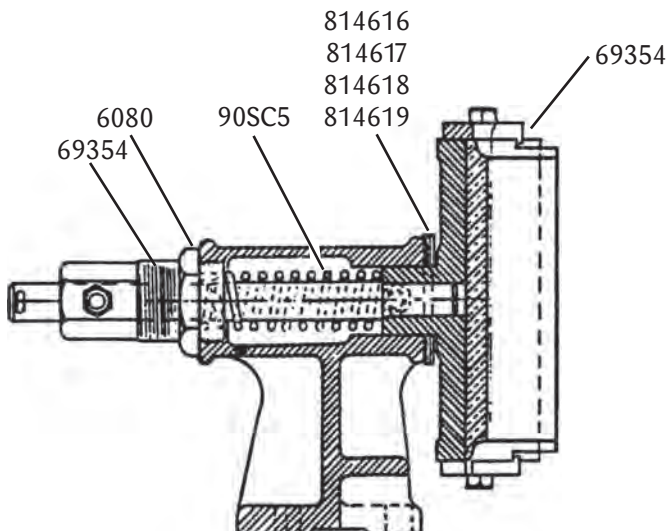
6079
64358



380AJ1

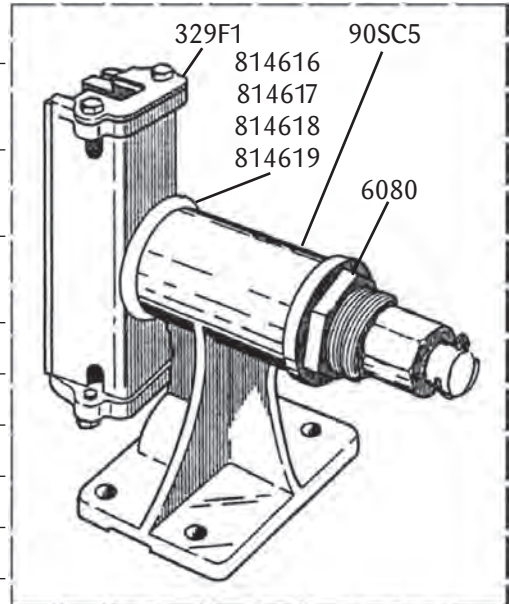


65869

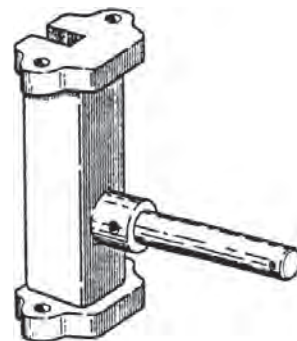


Swivel Guides for 5C, 8C, 14D, and 15R Carframes: 501-VI-30

Part Number	Description	Rail Application
65870	Guide Shoe Assembly, 8.5 in. (216 mm) long	# 1, # 1-1/2, # 3/4
501-VI-46	Guide Shoe Assembly, with Cast Iron Gib	# 1, # 1-1/2, # 3/4
501-VI-49	Guide Shoe Assembly, with Synthetic Gib	# 1, # 1-1/2, # 3/4
501-VI-30	Guide Shoe Assembly, without Gib	# 1, # 1-1/2, # 3/4
329F1	Cap	
64315	Gib, Bronze, 8.5 in. (216 mm) long	
64376	Gib, Cast Iron, 8.5 in. (216 mm) long	
380AH1	Gib, Synthetic, 8.5 in. (216 mm) long	
6080	Nut	
90SC5	Spring	
814618	Washer, 0.06 in. (1,5 mm), Hard Fibre	
814619	Washer, 0.12 in. (3 mm), Hard Fibre	
814616	Washer, 0.06 in. (1,5 mm), Vellumoid Soft Gasket	
814617	Washer, 0.12 in. (3 mm), Vellumoid Soft Gasket	



501-VI-30
501-VI-46
501-VI-49

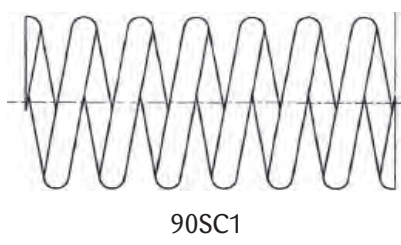
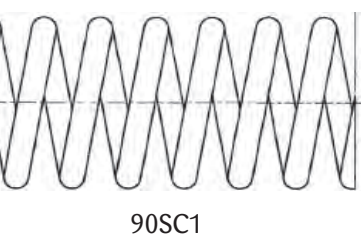
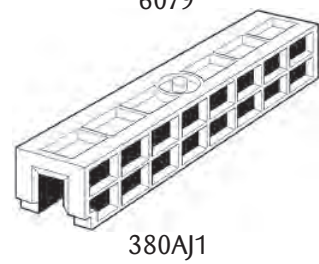
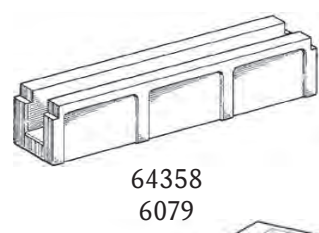
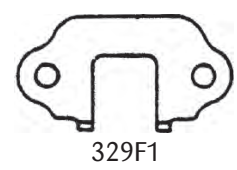
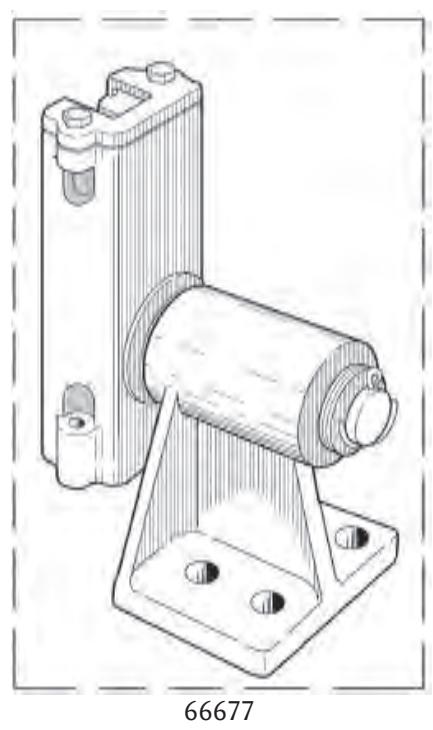
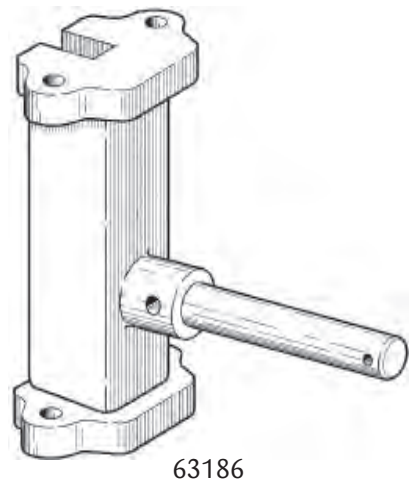


65870

Carframe Counterweight Slide & Roller Guides

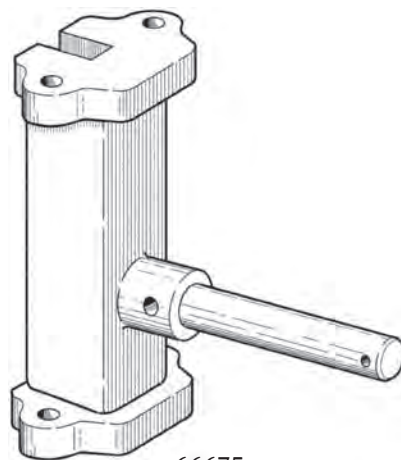
Swivel Guides for 6A, 11, and 43 Wedge-Clamp Counterweight Safeties: 66677

Part Number	Description	Rail Application
66677	Guide Shoe, Swivel	#2
63186	Guide Shoe, Swivel, with Pin	#2
329F1	Cap	
64358	Gib, Bronze, 8.5 in. (216 mm) long	
6079	Gib, Cast Iron, 8.5 in. (216 mm) long	
380AJ1	Gib, Plastic, 8.5 in. (216 mm) long	
90SC1	Spring	

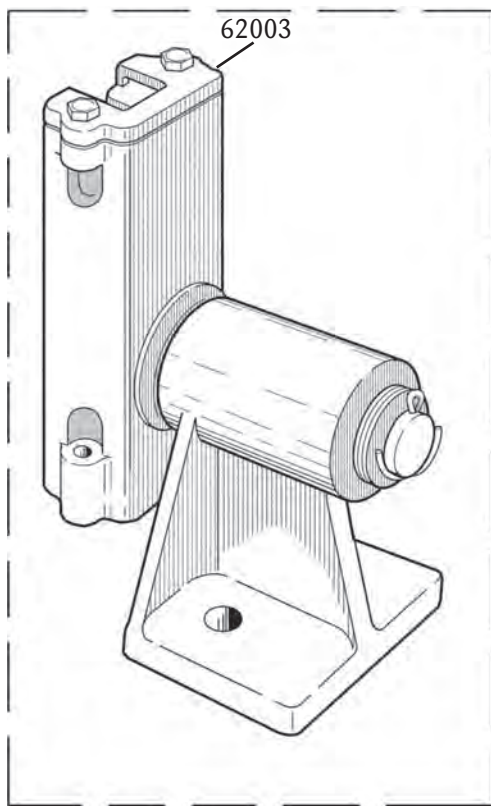


Swivel Guides for Structural Frame Counterweights: 66674

Part Number	Description
66674	Guide Assembly, Counterweight
66675	Guide Shoe Assembly, with Stem
62003	Cap
62068-BZ2	Gib, Bronze, 5.5 in. (140 mm) long
62068-CI20	Gib, Cast Iron, 5.5 in. (140 mm) long
380AP1	Gib, Synthetic, 5.5 in. (140 mm) long
90FC2	Spring



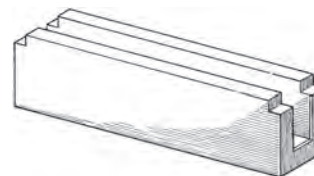
66675



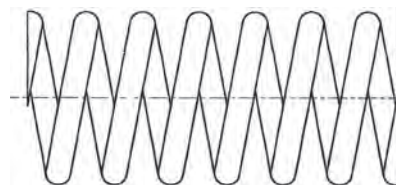
66674



62068-BZ2
62068-CI20



380AP1

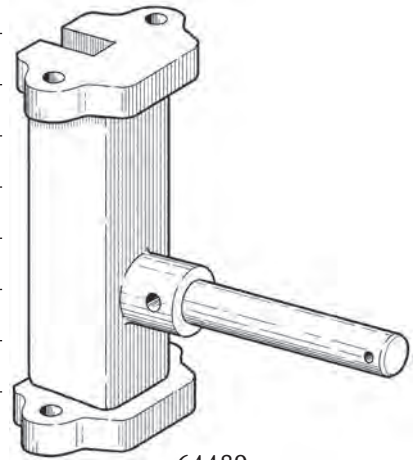


90FC2

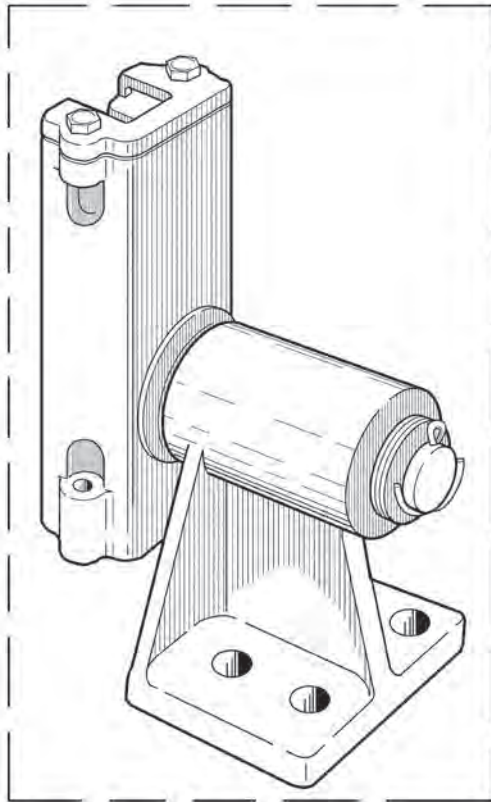
Carframe Counterweight Slide & Roller Guides

Swivel Counterweight Guides for 6A Wedge-Clamp Counterweight Safeties: 64491

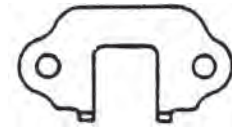
Part Number	Description	Rail Application
64491	Guide Assembly, Swivel	# 1, # 1-1/2
64489	Guide Shoe, Swivel, with Pin	# 1, # 1-1/2
329F1	Cap	
64315	Gib, Bronze, 8.5 in. (216 mm) long	
64376	Gib, Cast Iron, 8.5 in. (216 mm) long	
380AH1	Gib, Plastic, 8.5 in. (216 mm) long	
90SC1	Spring	



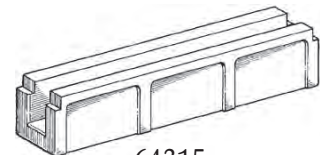
64489



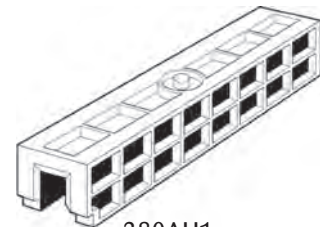
64491



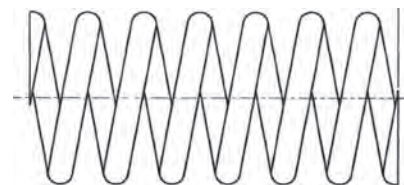
329F1



64315
64376



380AH1

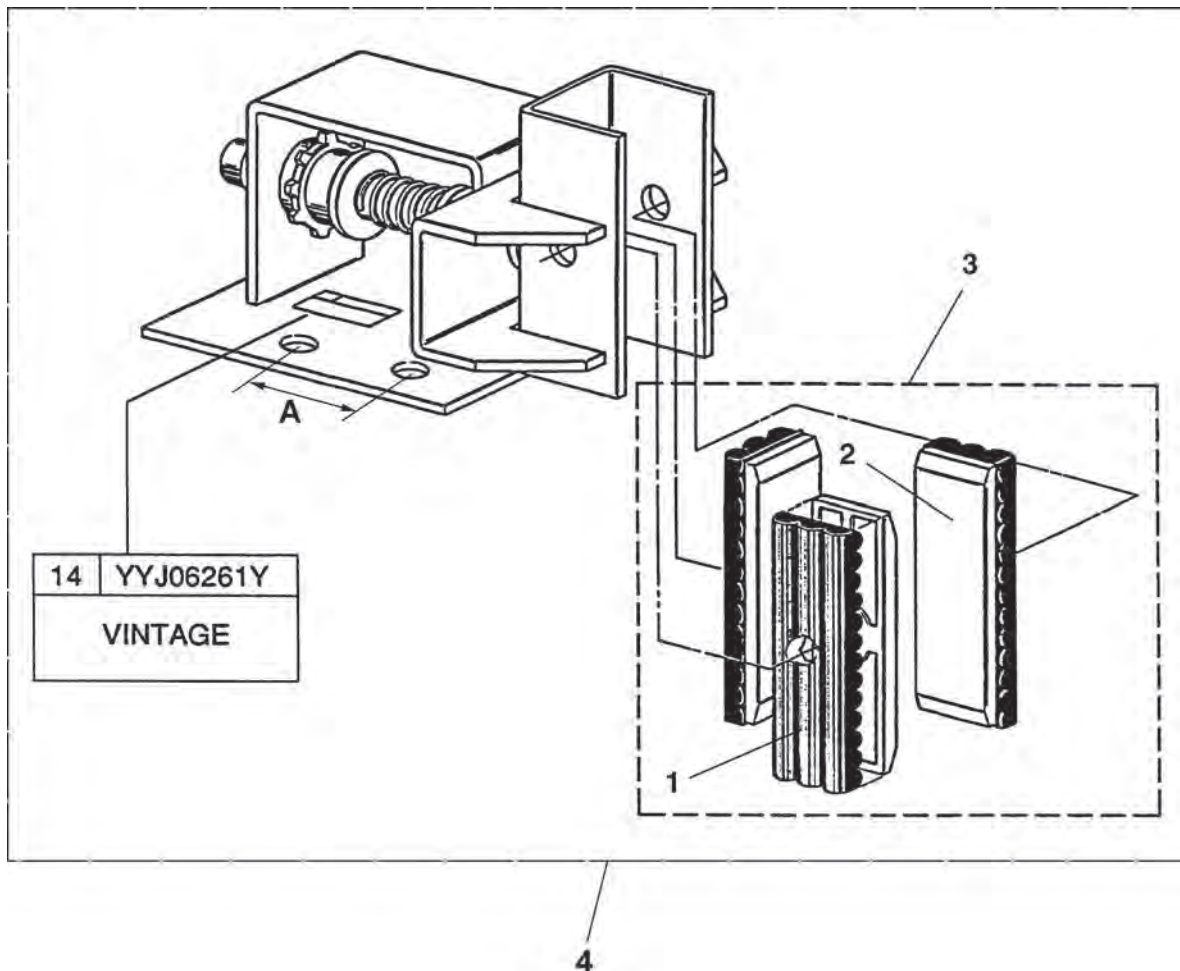


90SC1

Swivel Slide Guide YYJ06261Y

Ref. No.	Part Number	Description
1	JAA00310ABW001	Block Rubber
2	JAA00380AAF001	Gib, 5.7" Long
3		Kit, Gib + Rubber Block
4	JOA6261Y1	Shoe Guide, A = 1.89"

NOTES ON FIT: Bolt Pattern - 1.89" x 3.23"
Overall Base - 5" x 5"



Carframe Counterweight Slide & Roller Guides

CEMCO type guide

Part Number	Description	Rail Application
CMCOCM400-10		15 lb
CMCOCM400-20		18 lb
CMCOCM400-30		22 lb
CMCOCM400-40		30 lb



P/N: CMCOCM400-20 (~9" long x 2-3/4" high x ~3/4" groove width)